



Department of Administration  
 Purchasing Division  
 2019 Washington Street East  
 Post Office Box 50130  
 Charleston, WV 25305-0130

State of West Virginia  
**Purchase Order**

Order Date: 04-30-2026

CORRECT ORDER NUMBER MUST APPEAR  
 ON ALL PACKAGES, INVOICES, AND  
 SHIPPING PAPERS. QUESTIONS  
 CONCERNING THIS ORDER SHOULD BE  
 DIRECTED TO THE DEPARTMENT  
 CONTACT.

Order Number:	CPO 0211 4023 GSD2600000018 1	Change Order No:	Procurement Folder:	1894813
Document Name:	Building 23 Water Source Heat Pumps		Reason for Modification:	
Document Description:	Building 23 Water Source Heat Pumps			
Procurement Type:	Central Purchase Order			
Buyer Name:	David H Pauline			
Telephone:	304-558-0067			
Email:	david.h.pauline@wv.gov			
Shipping Method:	Best Way	Effective Start Date:		
Free on Board:	FOB Dest, Freight Prepaid	Effective End Date:		

VENDOR		DEPARTMENT CONTACT	
Vendor Customer Code:	000000159732	Requestor Name:	Jeffrey L Gillenwater
TRANE US INC		Requestor Phone:	304-352-5490
4782 Chimney Drive		Requestor Email:	jeffrey.l.gillenwater@wv.gov
Charleston	WV 25302	<div style="font-size: 48px; font-weight: bold;">2026</div> <div style="font-weight: bold;">FILE LOCATION _____</div>	
US			
Vendor Contact Phone:	0000000000 Extension:		
Discount Details:			

INVOICE TO	SHIP TO
GENERAL SERVICES DIVISION DEPARTMENT OF ADMINISTRATION 112 CALIFORNIA AVENUE BLDG 4, 6TH FLOOR CHARLESTON WV 25305 US	DEPARTMENT OF ADMINISTRATION GENERAL SERVICES DIVISION BLDG 23 407 NEVILLE ST BECKLEY WV 25801 US

*5-6-26*

Purchasing Division's File Copy

Total Order Amount:	\$39,929.00
---------------------	-------------

PURCHASING DIVISION AUTHORIZATION DATE: <i>Tarah 5/1/26</i> ELECTRONIC SIGNATURE ON FILE	ATTORNEY GENERAL APPROVAL AS TO FORM DATE: <i>9-2-26</i> ELECTRONIC SIGNATURE ON FILE	ENCUMBRANCE CERTIFICATION DATE: <i>6-2-26</i> ELECTRONIC SIGNATURE ON FILE <i>5-6-26</i>
--	---	--

*5/5/2026*

**Extended Description:**

The Vendor, TRANE USA, Inc., agrees to this one-time purchase contract with the WV Department of Administration, General Services Division ("Agency" and "Owner") to provide Water Source Heat Pumps for Building 23 located at 407 Neville Street, Beckley, WV 25801., per the attached bid requirements, terms and conditions, specifications, Addendum No. 1 issued on 2/25/2026, and the and the Vendor's submitted bid dated 02/26/2026 incorporated herein by reference and made a part hereof, per the attached documentation.

Line	Commodity Code	Quantity	Unit	Unit Price	Total Price
1	40101806	1.00000	EA	6118.000000	6118.00
<b>Service From</b>	<b>Service To</b>	<b>Manufacturer</b>		<b>Model No</b>	

**Commodity Line Description:** TRANE Water Source Heat Pumps - Model: GEHK018A1

**Extended Description:**

TRANE Water Source Heat Pumps - Model: GEHK018A1

Line	Commodity Code	Quantity	Unit	Unit Price	Total Price
2	40101806	1.00000	EA	6761.000000	6761.00
<b>Service From</b>	<b>Service To</b>	<b>Manufacturer</b>		<b>Model No</b>	

**Commodity Line Description:** TRANE Water Source Heat Pumps - Model: GEHK030B1

**Extended Description:**

TRANE Water Source Heat Pumps - Model: GEHK030B1

Line	Commodity Code	Quantity	Unit	Unit Price	Total Price
3	40101806	1.00000	EA	6761.000000	6761.00
<b>Service From</b>	<b>Service To</b>	<b>Manufacturer</b>		<b>Model No</b>	

**Commodity Line Description:** TRANE Water Source Heat Pumps - Model: GEHK030B1

**Extended Description:**

TRANE Water Source Heat Pumps - Model: GEHK030B1

Line	Commodity Code	Quantity	Unit	Unit Price	Total Price
4	40101806	1.00000	EA	6761.000000	6761.00
<b>Service From</b>	<b>Service To</b>	<b>Manufacturer</b>		<b>Model No</b>	

**Commodity Line Description:** TRANE Water Source Heat Pumps - Model: GEHK030B1

**Extended Description:**

TRANE Water Source Heat Pumps - Model: GEHK030B1

Line	Commodity Code	Quantity	Unit	Unit Price	Total Price
5	40101806	1.00000	EA	7058.000000	7058.00
<b>Service From</b>	<b>Service To</b>	<b>Manufacturer</b>		<b>Model No</b>	

**Commodity Line Description:** TRANE Water Source Heat Pumps - Model: GEHK036B1

**Extended Description:**

TRANE Water Source Heat Pumps - Model: GEHK036B1

Line	Commodity Code	Quantity	Unit	Unit Price	Total Price
6	40101806	1.00000	EA	6470.000000	6470.00
Service From	Service To	Manufacturer	Model No		

**Commodity Line Description:** TRANE Water Source Heat Pumps - Model: GEHK024B1

**Extended Description:**  
TRANE Water Source Heat Pumps - Model: GEHK024B1

## GENERAL TERMS AND CONDITIONS:

**1. CONTRACTUAL AGREEMENT:** Issuance of an Award Document signed by the Purchasing Division Director, or his designee, and approved as to form by the Attorney General's office constitutes acceptance by the State of this Contract made by and between the State of West Virginia and the Vendor. Vendor's signature on its bid, or on the Contract if the Contract is not the result of a bid solicitation, signifies Vendor's agreement to be bound by and accept the terms and conditions contained in this Contract.

**2. DEFINITIONS:** As used in this Solicitation/Contract, the following terms shall have the meanings attributed to them below. Additional definitions may be found in the specifications included with this Solicitation/Contract.

**2.1. "Agency" or "Agencies"** means the agency, board, commission, or other entity of the State of West Virginia that is identified on the first page of the Solicitation or any other public entity seeking to procure goods or services under this Contract.

**2.2. "Bid" or "Proposal"** means the vendors submitted response to this solicitation.

**2.3. "Contract"** means the binding agreement that is entered into between the State and the Vendor to provide the goods or services requested in the Solicitation.

**2.4. "Director"** means the Director of the West Virginia Department of Administration, Purchasing Division.

**2.5. "Purchasing Division"** means the West Virginia Department of Administration, Purchasing Division.

**2.6. "Award Document"** means the document signed by the Agency and the Purchasing Division, and approved as to form by the Attorney General, that identifies the Vendor as the contract holder.

**2.7. "Solicitation"** means the official notice of an opportunity to supply the State with goods or services that is published by the Purchasing Division.

**2.8. "State"** means the State of West Virginia and/or any of its agencies, commissions, boards, etc. as context requires.

**2.9. "Vendor" or "Vendors"** means any entity submitting a bid in response to the Solicitation, the entity that has been selected as the lowest responsible bidder, or the entity that has been awarded the Contract as context requires.

**3. CONTRACT TERM; RENEWAL; EXTENSION:** The term of this Contract shall be determined in accordance with the category that has been identified as applicable to this Contract below:

**Term Contract**

**Initial Contract Term:** The Initial Contract Term will be for a period of \_\_\_\_\_. The Initial Contract Term becomes effective on the effective start date listed on the first page of this Contract, identified as the State of West Virginia contract cover page containing the signatures of the Purchasing Division, Attorney General, and Encumbrance clerk (or another page identified as \_\_\_\_\_), and the Initial Contract Term ends on the effective end date also shown on the first page of this Contract.

**Renewal Term:** This Contract may be renewed upon the mutual written consent of the Agency, and the Vendor, with approval of the Purchasing Division and the Attorney General's office (Attorney General approval is as to form only). Any request for renewal should be delivered to the Agency and then submitted to the Purchasing Division thirty (30) days prior to the expiration date of the initial contract term or appropriate renewal term. A Contract renewal shall be in accordance with the terms and conditions of the original contract. Unless otherwise specified below, renewal of this Contract is limited to \_\_\_\_\_ successive one (1) year periods or multiple renewal periods of less than one year, provided that the multiple renewal periods do not exceed the total number of months available in all renewal years combined. Automatic renewal of this Contract is prohibited. Renewals must be approved by the Vendor, Agency, Purchasing Division and Attorney General's office (Attorney General approval is as to form only)

**Alternate Renewal Term** – This contract may be renewed for \_\_\_\_\_ successive \_\_\_\_\_ year periods or shorter periods provided that they do not exceed the total number of months contained in all available renewals. Automatic renewal of this Contract is prohibited. Renewals must be approved by the Vendor, Agency, Purchasing Division and Attorney General's office (Attorney General approval is as to form only)

**Delivery Order Limitations:** In the event that this contract permits delivery orders, a delivery order may only be issued during the time this Contract is in effect. Any delivery order issued within one year of the expiration of this Contract shall be effective for one year from the date the delivery order is issued. No delivery order may be extended beyond one year after this Contract has expired.

**Fixed Period Contract:** This Contract becomes effective upon Vendor's receipt of the notice to proceed and must be completed within \_\_\_\_\_ days.

**Fixed Period Contract with Renewals:** This Contract becomes effective upon Vendor's receipt of the notice to proceed and part of the Contract more fully described in the attached specifications must be completed within \_\_\_\_\_ days. Upon completion of the work covered by the preceding sentence, the vendor agrees that:

the contract will continue for \_\_\_\_\_ years;

the contract may be renewed for \_\_\_\_\_ successive \_\_\_\_\_ year periods or shorter periods provided that they do not exceed the total number of months contained in all available renewals. Automatic renewal of this Contract is prohibited. Renewals must be approved by the Vendor, Agency, Purchasing Division and Attorney General's Office (Attorney General approval is as to form only).

**One-Time Purchase:** The term of this Contract shall run from the issuance of the Award Document until all of the goods contracted for have been delivered, but in no event will this Contract extend for more than one fiscal year.

**Construction/Project Oversight:** This Contract becomes effective on the effective start date listed on the first page of this Contract, identified as the State of West Virginia contract cover page containing the signatures of the Purchasing Division, Attorney General, and Encumbrance clerk (or another page identified as \_\_\_\_\_), and continues until the project for which the vendor is providing oversight is complete.

**Other:** Contract Term specified in \_\_\_\_\_

**4. AUTHORITY TO PROCEED:** Vendor is authorized to begin performance of this contract on the date of encumbrance listed on the front page of the Award Document unless either the box for "Fixed Period Contract" or "Fixed Period Contract with Renewals" has been checked in Section 3 above. If either "Fixed Period Contract" or "Fixed Period Contract with Renewals" has been checked, Vendor must not begin work until it receives a separate notice to proceed from the State. The notice to proceed will then be incorporated into the Contract via change order to memorialize the official date that work commenced.

**5. QUANTITIES:** The quantities required under this Contract shall be determined in accordance with the category that has been identified as applicable to this Contract below.

**Open End Contract:** Quantities listed in this Solicitation/Award Document are approximations only, based on estimates supplied by the Agency. It is understood and agreed that the Contract shall cover the quantities actually ordered for delivery during the term of the Contract, whether more or less than the quantities shown.

**Service:** The scope of the service to be provided will be more clearly defined in the specifications included herewith.

**Combined Service and Goods:** The scope of the service and deliverable goods to be provided will be more clearly defined in the specifications included herewith.

**One-Time Purchase:** This Contract is for the purchase of a set quantity of goods that are identified in the specifications included herewith. Once those items have been delivered, no additional goods may be procured under this Contract without an appropriate change order approved by the Vendor, Agency, Purchasing Division, and Attorney General's office.

**Construction:** This Contract is for construction activity more fully defined in the specifications.

**6. EMERGENCY PURCHASES:** The Purchasing Division Director may authorize the Agency to purchase goods or services in the open market that Vendor would otherwise provide under this Contract if those goods or services are for immediate or expedited delivery in an emergency. Emergencies shall include, but are not limited to, delays in transportation or an unanticipated increase in the volume of work. An emergency purchase in the open market, approved by the Purchasing Division Director, shall not constitute of breach of this Contract and shall not entitle the Vendor to any form of compensation or damages. This provision does not excuse the State from fulfilling its obligations under a One-Time Purchase contract.

**7. REQUIRED DOCUMENTS:** All of the items checked in this section must be provided to the Purchasing Division by the Vendor as specified:

**LICENSE(S) / CERTIFICATIONS / PERMITS:** In addition to anything required under the Section of the General Terms and Conditions entitled Licensing, the apparent successful Vendor shall furnish proof of the following licenses, certifications, and/or permits upon request and in a form acceptable to the State. The request may be prior to or after contract award at the State's sole discretion.

The apparent successful Vendor shall also furnish proof of any additional licenses or certifications contained in the specifications regardless of whether or not that requirement is listed above.

**8. INSURANCE:** The apparent successful Vendor shall furnish proof of the insurance identified by a checkmark below prior to Contract award. The insurance coverages identified below must be maintained throughout the life of this contract. Thirty (30) days prior to the expiration of the insurance policies, Vendor shall provide the Agency with proof that the insurance mandated herein has been continued. Vendor must also provide Agency with immediate notice of any changes in its insurance policies, including but not limited to, policy cancelation, policy reduction, or change in insurers. The apparent successful Vendor shall also furnish proof of any additional insurance requirements contained in the specifications prior to Contract award regardless of whether that insurance requirement is listed in this section.

Vendor must maintain:

**Commercial General Liability Insurance** in at least an amount of: \$1,000,000.00 per occurrence.

**Automobile Liability Insurance** in at least an amount of: \$1,000,000.00 per occurrence.

**Professional/Malpractice/Errors and Omission Insurance** in at least an amount of: \_\_\_\_\_ per occurrence. Notwithstanding the forgoing, Vendor's are not required to list the State as an additional insured for this type of policy.

**Commercial Crime and Third Party Fidelity Insurance** in an amount of: \_\_\_\_\_ per occurrence.

**Cyber Liability Insurance** in an amount of: \_\_\_\_\_ per occurrence.

**Builders Risk Insurance** in an amount equal to 100% of the amount of the Contract.

**Pollution Insurance** in an amount of: \_\_\_\_\_ per occurrence.

**Aircraft Liability** in an amount of: \_\_\_\_\_ per occurrence.

**9. WORKERS' COMPENSATION INSURANCE:** Vendor shall comply with laws relating to workers compensation, shall maintain workers' compensation insurance when required, and shall furnish proof of workers' compensation insurance upon request.

**10. VENUE:** All legal actions for damages brought by Vendor against the State shall be brought in the West Virginia Claims Commission. Other causes of action must be brought in the West Virginia court authorized by statute to exercise jurisdiction over it.

**11. LIQUIDATED DAMAGES:** This clause shall in no way be considered exclusive and shall not limit the State or Agency's right to pursue any other available remedy. Vendor shall pay liquidated damages in the amount specified below or as described in the specifications:

\_\_\_\_\_ for \_\_\_\_\_.

Liquidated Damages Contained in the Specifications.

Liquidated Damages Are Not Included in this Contract.

**12. ACCEPTANCE:** Vendor's signature on its bid, or on the certification and signature page, constitutes an offer to the State that cannot be unilaterally withdrawn, signifies that the product or service proposed by vendor meets the mandatory requirements contained in the Solicitation for that product or service, unless otherwise indicated, and signifies acceptance of the terms and conditions contained in the Solicitation unless otherwise indicated.

**13. PRICING:** The pricing set forth herein is firm for the life of the Contract, unless specified elsewhere within this Solicitation/Contract by the State. A Vendor's inclusion of price adjustment provisions in its bid, without an express authorization from the State in the Solicitation to do so, may result in bid disqualification. Notwithstanding the foregoing, Vendor must extend any publicly advertised sale price to the State and invoice at the lower of the contract price or the publicly advertised sale price.

**14. PAYMENT IN ARREARS:** Payments for goods/services will be made in arrears only upon receipt of a proper invoice, detailing the goods/services provided or receipt of the goods/services, whichever is later. Notwithstanding the foregoing, payments for software maintenance, licenses, or subscriptions may be paid annually in advance.

**15. PAYMENT METHODS:** Vendor must accept payment by electronic funds transfer and P-Card. (The State of West Virginia's Purchasing Card program, administered under contract by a banking institution, processes payment for goods and services through state designated credit cards.)

**16. TAXES:** The Vendor shall pay any applicable sales, use, personal property or any other taxes arising out of this Contract and the transactions contemplated thereby. The State of West Virginia is exempt from federal and state taxes and will not pay or reimburse such taxes.

**17. ADDITIONAL FEES:** Vendor is not permitted to charge additional fees or assess additional charges that were not either expressly provided for in the solicitation published by the State of West Virginia, included in the Contract, or included in the unit price or lump sum bid amount that Vendor is required by the solicitation to provide. Including such fees or charges as notes to the solicitation may result in rejection of vendor's bid. Requesting such fees or charges be paid after the contract has been awarded may result in cancellation of the contract.

**18. FUNDING:** This Contract shall continue for the term stated herein, contingent upon funds being appropriated by the Legislature or otherwise being made available. In the event funds are not appropriated or otherwise made available, this Contract becomes void and of no effect beginning on July 1 of the fiscal year for which funding has not been appropriated or otherwise made available. If that occurs, the State may notify the Vendor that an alternative source of funding has been obtained and thereby avoid the automatic termination. Non-appropriation or non-funding shall not be considered an event of default.

**19. CANCELLATION:** The Purchasing Division Director reserves the right to cancel this Contract immediately upon written notice to the vendor if the materials or workmanship supplied do not conform to the specifications contained in the Contract. The Purchasing Division Director may also cancel any purchase or Contract upon 30 days written notice to the Vendor in accordance with West Virginia Code of State Rules § 148-1-5.2.b.

**20. TIME:** Time is of the essence regarding all matters of time and performance in this Contract.

**21. APPLICABLE LAW:** This Contract is governed by and interpreted under West Virginia law without giving effect to its choice of law principles. Any information provided in specification manuals, or any other source, verbal or written, which contradicts or violates the West Virginia Constitution, West Virginia Code, or West Virginia Code of State Rules is void and of no effect.

**22. COMPLIANCE WITH LAWS:** Vendor shall comply with all applicable federal, state, and local laws, regulations and ordinances. By submitting a bid, Vendor acknowledges that it has reviewed, understands, and will comply with all applicable laws, regulations, and ordinances.

**SUBCONTRACTOR COMPLIANCE:** Vendor shall notify all subcontractors providing commodities or services related to this Contract that as subcontractors, they too are required to comply with all applicable laws, regulations, and ordinances. Notification under this provision must occur prior to the performance of any work under the contract by the subcontractor.

**23. ARBITRATION:** Any references made to arbitration contained in this Contract, Vendor's bid, or in any American Institute of Architects documents pertaining to this Contract are hereby deleted, void, and of no effect.

**24. MODIFICATIONS:** This writing is the parties' final expression of intent. Notwithstanding anything contained in this Contract to the contrary no modification of this Contract shall be binding without mutual written consent of the Agency, and the Vendor, with approval of the Purchasing Division and the Attorney General's office (Attorney General approval is as to form only). Any change to existing contracts that adds work or changes contract cost, and were not included in the original contract, must be approved by the Purchasing Division and the Attorney General's Office (as to form) prior to the implementation of the change or commencement of work affected by the change.

**25. WAIVER:** The failure of either party to insist upon a strict performance of any of the terms or provision of this Contract, or to exercise any option, right, or remedy herein contained, shall not be construed as a waiver or a relinquishment for the future of such term, provision, option, right, or remedy, but the same shall continue in full force and effect. Any waiver must be expressly stated in writing and signed by the waiving party.

**26. SUBSEQUENT FORMS:** The terms and conditions contained in this Contract shall supersede any and all subsequent terms and conditions which may appear on any form documents submitted by Vendor to the Agency or Purchasing Division such as price lists, order forms, invoices, sales agreements, or maintenance agreements, and includes internet websites or other electronic documents. Acceptance or use of Vendor's forms does not constitute acceptance of the terms and conditions contained thereon.

**27. ASSIGNMENT:** Neither this Contract nor any monies due, or to become due hereunder, may be assigned by the Vendor without the express written consent of the Agency, the Purchasing Division, the Attorney General's office (as to form only), and any other government agency or office that may be required to approve such assignments.

**28. WARRANTY:** The Vendor expressly warrants that the goods and/or services covered by this Contract will: (a) conform to the specifications, drawings, samples, or other description furnished or specified by the Agency; (b) be merchantable and fit for the purpose intended; and (c) be free from defect in material and workmanship.

**29. STATE EMPLOYEES:** State employees are not permitted to utilize this Contract for personal use and the Vendor is prohibited from permitting or facilitating the same.

**30. PRIVACY, SECURITY, AND CONFIDENTIALITY:** The Vendor agrees that it will not disclose to anyone, directly or indirectly, any such personally identifiable information or other confidential information gained from the Agency, unless the individual who is the subject of the information consents to the disclosure in writing or the disclosure is made pursuant to the Agency's policies, procedures, and rules. Vendor further agrees to comply with the Confidentiality Policies and Information Security Accountability Requirements, set forth in [www.state.wv.us/admin/purchase/privacy](http://www.state.wv.us/admin/purchase/privacy).

**31. YOUR SUBMISSION IS A PUBLIC DOCUMENT:** Vendor's entire response to the Solicitation and the resulting Contract are public documents. As public documents, they will be disclosed to the public following the bid/proposal opening or award of the contract, as required by the competitive bidding laws of West Virginia Code §§ 5A-3-1 et seq., 5-22-1 et seq., and 5G-1-1 et seq. and the Freedom of Information Act West Virginia Code §§ 29B-1-1 et seq.

**DO NOT SUBMIT MATERIAL YOU CONSIDER TO BE CONFIDENTIAL, A TRADE SECRET, OR OTHERWISE NOT SUBJECT TO PUBLIC DISCLOSURE.**

Submission of any bid, proposal, or other document to the Purchasing Division constitutes your explicit consent to the subsequent public disclosure of the bid, proposal, or document. The Purchasing Division will disclose any document labeled "confidential," "proprietary," "trade secret," "private," or labeled with any other claim against public disclosure of the documents, to include any "trade secrets" as defined by West Virginia Code § 47-22-1 et seq. All submissions are subject to public disclosure without notice.

**32. LICENSING:** In accordance with West Virginia Code of State Rules § 148-1-6.1.e, Vendor must be licensed and in good standing in accordance with any and all state and local laws and requirements by any state or local agency of West Virginia, including, but not limited to, the West Virginia Secretary of State's Office, the West Virginia Tax Department, West Virginia Insurance Commission, or any other state agency or political subdivision. Obligations related to political subdivisions may include, but are not limited to, business licensing, business and occupation taxes, inspection compliance, permitting, etc. Upon request, the Vendor must provide all necessary releases to obtain information to enable the Purchasing Division Director or the Agency to verify that the Vendor is licensed and in good standing with the above entities.

**SUBCONTRACTOR COMPLIANCE:** Vendor shall notify all subcontractors providing commodities or services related to this Contract that as subcontractors, they too are required to be licensed, in good standing, and up-to-date on all state and local obligations as described in this section. Obligations related to political subdivisions may include, but are not limited to, business licensing, business and occupation taxes, inspection compliance, permitting, etc. Notification under this provision must occur prior to the performance of any work under the contract by the subcontractor.

**33. ANTITRUST:** In submitting a bid to, signing a contract with, or accepting a Award Document from any agency of the State of West Virginia, the Vendor agrees to convey, sell, assign, or transfer to the State of West Virginia all rights, title, and interest in and to all causes of action it may now or hereafter acquire under the antitrust laws of the United States and the State of West Virginia for price fixing and/or unreasonable restraints of trade relating to the particular commodities or services purchased or acquired by the State of West Virginia. Such assignment shall be made and become effective at the time the purchasing agency tenders the initial payment to Vendor.

**34. VENDOR NON-CONFLICT:** Neither Vendor nor its representatives are permitted to have any interest, nor shall they acquire any interest, direct or indirect, which would compromise the performance of its services hereunder. Any such interests shall be promptly presented in detail to the Agency.

**35. VENDOR RELATIONSHIP:** The relationship of the Vendor to the State shall be that of an independent contractor and no principal-agent relationship or employer-employee relationship is contemplated or created by this Contract. The Vendor as an independent contractor is solely liable for the acts and omissions of its employees and agents. Vendor shall be responsible for selecting, supervising, and compensating any and all individuals employed pursuant to the terms of this Solicitation and resulting contract. Neither the Vendor, nor any employees or subcontractors of the Vendor, shall be deemed to be employees of the State for any purpose whatsoever. Vendor shall be exclusively responsible for payment of employees and contractors for all wages and salaries, taxes, withholding payments, penalties, fees, fringe benefits, professional liability insurance premiums, contributions to insurance and pension, or other deferred compensation plans, including but not limited to, Workers' Compensation and Social Security obligations, licensing fees, etc. and the filing of all necessary documents, forms, and returns pertinent to all of the foregoing.

Vendor shall hold harmless the State, and shall provide the State and Agency with a defense against any and all claims including, but not limited to, the foregoing payments, withholdings, contributions, taxes, Social Security taxes, and employer income tax returns.

**36. INDEMNIFICATION:** The Vendor agrees to indemnify, defend, and hold harmless the State and the Agency, their officers, and employees from and against: (1) Any claims or losses for services rendered by any subcontractor, person, or firm performing or supplying services, materials, or supplies in connection with the performance of the Contract; (2) Any claims or losses resulting to any person or entity injured or damaged by the Vendor, its officers, employees, or subcontractors by the publication, translation, reproduction, delivery, performance, use, or disposition of any data used under the Contract in a manner not authorized by the Contract, or by Federal or State statutes or regulations; and (3) Any failure of the Vendor, its officers, employees, or subcontractors to observe State and Federal laws including, but not limited to, labor and wage and hour laws.

**37. NO DEBT CERTIFICATION:** In accordance with West Virginia Code §§ 5A-3-10a and 5-22-1(i), the State is prohibited from awarding a contract to any bidder that owes a debt to the State or a political subdivision of the State. By submitting a bid, or entering into a contract with the State, Vendor is affirming that (1) for construction contracts, the Vendor is not in default on any monetary obligation owed to the state or a political subdivision of the state, and (2) for all other contracts, neither the Vendor nor any related party owe a debt as defined above, and neither the Vendor nor any related party are in employer default as defined in the statute cited above unless the debt or employer default is permitted under the statute.

**38. CONFLICT OF INTEREST:** Vendor, its officers or members or employees, shall not presently have or acquire an interest, direct or indirect, which would conflict with or compromise the performance of its obligations hereunder. Vendor shall periodically inquire of its officers, members and employees to ensure that a conflict of interest does not arise. Any conflict of interest discovered shall be promptly presented in detail to the Agency.

**39. REPORTS:** Vendor shall provide the Agency and/or the Purchasing Division with the following reports identified by a checked box below:

Such reports as the Agency and/or the Purchasing Division may request. Requested reports may include, but are not limited to, quantities purchased, agencies utilizing the contract, total contract expenditures by agency, etc.

Quarterly reports detailing the total quantity of purchases in units and dollars, along with a listing of purchases by agency. Quarterly reports should be delivered to the Purchasing Division via email at [purchasing.division@wv.gov](mailto:purchasing.division@wv.gov).

**40. BACKGROUND CHECK:** In accordance with W. Va. Code § 15-2D-3, the State reserves the right to prohibit a service provider's employees from accessing sensitive or critical information or to be present at the Capitol complex based upon results addressed from a criminal background check. Service providers should contact the West Virginia Division of Protective Services by phone at (304) 558-9911 for more information.

**41. PREFERENCE FOR USE OF DOMESTIC STEEL PRODUCTS:** Except when authorized by the Director of the Purchasing Division pursuant to W. Va. Code § 5A-3-56, no contractor may use or supply steel products for a State Contract Project other than those steel products made in the United States. A contractor who uses steel products in violation of this section may be subject to civil penalties pursuant to W. Va. Code § 5A-3-56. As used in this section:

- a. "State Contract Project" means any erection or construction of, or any addition to, alteration of or other improvement to any building or structure, including, but not limited to, roads or highways, or the installation of any heating or cooling or ventilating plants or other equipment, or the supply of and materials for such projects, pursuant to a contract with the State of West Virginia for which bids were solicited on or after June 6, 2001.
- b. "Steel Products" means products rolled, formed, shaped, drawn, extruded, forged, cast, fabricated or otherwise similarly processed, or processed by a combination of two or more or such operations, from steel made by the open heath, basic oxygen, electric furnace, Bessemer or other steel making process.
- c. The Purchasing Division Director may, in writing, authorize the use of foreign steel products if:
  1. The cost for each contract item used does not exceed one tenth of one percent (.1%) of the total contract cost or two thousand five hundred dollars (\$2,500.00), whichever is greater. For the purposes of this section, the cost is the value of the steel product as delivered to the project; or
  2. The Director of the Purchasing Division determines that specified steel materials are not produced in the United States in sufficient quantity or otherwise are not reasonably available to meet contract requirements.

**42. PREFERENCE FOR USE OF DOMESTIC ALUMINUM, GLASS, AND STEEL:** In Accordance with W. Va. Code § 5-19-1 et seq., and W. Va. CSR § 148-10-1 et seq., for every contract or subcontract, subject to the limitations contained herein, for the construction, reconstruction, alteration, repair, improvement or maintenance of public works or for the purchase of any item of machinery or equipment to be used at sites of public works, only domestic aluminum, glass or steel products shall be supplied unless the spending officer determines, in writing, after the receipt of offers or bids, (1) that the cost of domestic aluminum, glass or steel products is unreasonable or inconsistent with the public interest of the State of West Virginia, (2) that domestic aluminum, glass or steel products are not produced in sufficient quantities to meet the contract requirements, or (3) the available domestic aluminum, glass, or steel do not meet the contract specifications. This provision only applies to public works contracts awarded in an amount more than fifty thousand dollars (\$50,000) or public works contracts that require more than ten thousand pounds of steel products.

The cost of domestic aluminum, glass, or steel products may be unreasonable if the cost is more than twenty percent (20%) of the bid or offered price for foreign made aluminum, glass, or steel products. If the domestic aluminum, glass or steel products to be supplied or produced in a “substantial labor surplus area”, as defined by the United States Department of Labor, the cost of domestic aluminum, glass, or steel products may be unreasonable if the cost is more than thirty percent (30%) of the bid or offered price for foreign made aluminum, glass, or steel products. This preference shall be applied to an item of machinery or equipment, as indicated above, when the item is a single unit of equipment or machinery manufactured primarily of aluminum, glass or steel, is part of a public works contract and has the sole purpose or of being a permanent part of a single public works project. This provision does not apply to equipment or machinery purchased by a spending unit for use by that spending unit and not as part of a single public works project.

All bids and offers including domestic aluminum, glass or steel products that exceed bid or offer prices including foreign aluminum, glass or steel products after application of the preferences provided in this provision may be reduced to a price equal to or lower than the lowest bid or offer price for foreign aluminum, glass or steel products plus the applicable preference. If the reduced bid or offer prices are made in writing and supersede the prior bid or offer prices, all bids or offers, including the reduced bid or offer prices, will be reevaluated in accordance with this rule.

**43. INTERESTED PARTY SUPPLEMENTAL DISCLOSURE:** W. Va. Code § 6D-1-2 requires that for contracts with an actual or estimated value of at least \$1 million, the Vendor must submit to the Agency a disclosure of interested parties prior to beginning work under this Contract. Additionally, the Vendor must submit a supplemental disclosure of interested parties reflecting any new or differing interested parties to the contract, which were not included in the original pre-work interested party disclosure, within 30 days following the completion or termination of the contract. A copy of that form is included with this solicitation or can be obtained from the WV Ethics Commission. This requirement does not apply to publicly traded companies listed on a national or international stock exchange. A more detailed definition of interested parties can be obtained from the form referenced above.

**44. PROHIBITION AGAINST USED OR REFURBISHED:** Unless expressly permitted in the solicitation published by the State, Vendor must provide new, unused commodities, and is prohibited from supplying used or refurbished commodities, in fulfilling its responsibilities under this Contract.

**45. VOID CONTRACT CLAUSES:** This Contract is subject to the provisions of West Virginia Code § 5A-3-62, which automatically voids certain contract clauses that violate State law.

**46. ISRAEL BOYCOTT:** Bidder understands and agrees that, pursuant to W. Va. Code § 5A-3-63, it is prohibited from engaging in a boycott of Israel during the term of this contract.

**DESIGNATED CONTACT:** Vendor appoints the individual identified in this Section as the Contract Administrator and the initial point of contact for matters relating to this Contract.

(Printed Name and Title) Kenneth Young

(Address) 4782 Chimney Dr, Charleston, WV 25302

(Phone Number)/(Fax Number) 304-546-6294

(email address) kenneth.young@trane.com

**CERTIFICATION AND SIGNATURE:** By signing below, or submitting documentation through wvOASIS, I certify that: I have reviewed this Solicitation/Contract in its entirety; that I understand the requirements, terms and conditions, and other information contained herein; that this bid, offer or proposal constitutes an offer to the State that cannot be unilaterally withdrawn; that the product or service proposed meets the mandatory requirements contained in the Solicitation/Contract for that product or service, unless otherwise stated herein; that the Vendor accepts the terms and conditions contained in the Solicitation, unless otherwise stated herein; that I am submitting this bid, offer or proposal for review and consideration; that this bid or offer was made without prior understanding, agreement, or connection with any entity submitting a bid or offer for the same material, supplies, equipment or services; that this bid or offer is in all respects fair and without collusion or fraud; that this Contract is accepted or entered into without any prior understanding, agreement, or connection to any other entity that could be considered a violation of law; that I am authorized by the Vendor to execute and submit this bid, offer, or proposal, or any documents related thereto on Vendor's behalf; that I am authorized to bind the vendor in a contractual relationship; and that to the best of my knowledge, the vendor has properly registered with any State agency that may require registration.

By signing below, I further certify that I understand this Contract is subject to the provisions of West Virginia Code § 5A-3-62, which automatically voids certain contract clauses that violate State law; and that pursuant to W. Va. Code 5A-3-63, the entity entering into this contract is prohibited from engaging in a boycott against Israel.

Trane US Inc.

(Company)

(Signature of Authorized Representative)

Kenneth Young 4/28/26

(Printed Name and Title of Authorized Representative) (Date)

304-546-6294

(Phone Number) (Fax Number)

kenneth.young@trane.com

(Email Address)



**ADDITIONAL INFORMATION**

Addendum No. 1

To provide responses to the Vendor Technical Questions, see attached.

Bid opening date and time remains February 26, 2026, at 1:30 pm., EST.

No other changes.

**INVOICE TO** | **SHIP TO**

DEPARTMENT OF ADMINISTRATION 112 CALIFORNIA AVENUE  BLDG 4, 6TH FLOOR CHARLESTON WV US	DEPARTMENT OF ADMINISTRATION GENERAL SERVICES DIVISION BLDG 23 407 NEVILLE ST BECKLEY WV US
--	---

Line	Comm Ln Desc	Qty	Unit Issue	Unit Price	Total Price
1	TRANE Water Source Heat Pumps - Model: GEHK018A1	1.00000	EA		

Comm Code	Manufacturer	Specification	Model #
40101806			

**Extended Description:**  
TRANE Water Source Heat Pumps - Model: GEHK018A1

**INVOICE TO** | **SHIP TO**

DEPARTMENT OF ADMINISTRATION 112 CALIFORNIA AVENUE  BLDG 4, 6TH FLOOR CHARLESTON WV US	DEPARTMENT OF ADMINISTRATION GENERAL SERVICES DIVISION BLDG 23 407 NEVILLE ST BECKLEY WV US
--	---

Line	Comm Ln Desc	Qty	Unit Issue	Unit Price	Total Price
2	TRANE Water Source Heat Pumps - Model: GEHK030B1	1.00000	EA		

Comm Code	Manufacturer	Specification	Model #
40101806			

**Extended Description:**  
TRANE Water Source Heat Pumps - Model: GEHK030B1

INVOICE TO			SHIP TO		
DEPARTMENT OF ADMINISTRATION 112 CALIFORNIA AVENUE  BLDG 4, 6TH FLOOR CHARLESTON WV US			DEPARTMENT OF ADMINISTRATION GENERAL SERVICES DIVISION BLDG 23 407 NEVILLE ST BECKLEY WV US		

Line	Comm Ln Desc	Qty	Unit Issue	Unit Price	Total Price
3	TRANE Water Source Heat Pumps - Model: GEHK030B1	1.00000	EA		

Comm Code	Manufacturer	Specification	Model #
40101806			

**Extended Description:**  
TRANE Water Source Heat Pumps - Model: GEHK030B1

INVOICE TO			SHIP TO		
DEPARTMENT OF ADMINISTRATION 112 CALIFORNIA AVENUE  BLDG 4, 6TH FLOOR CHARLESTON WV US			DEPARTMENT OF ADMINISTRATION GENERAL SERVICES DIVISION BLDG 23 407 NEVILLE ST BECKLEY WV US		

Line	Comm Ln Desc	Qty	Unit Issue	Unit Price	Total Price
4	TRANE Water Source Heat Pumps - Model: GEHK030B1	1.00000	EA		

Comm Code	Manufacturer	Specification	Model #
40101806			

**Extended Description:**  
TRANE Water Source Heat Pumps - Model: GEHK030B1

INVOICE TO			SHIP TO		
DEPARTMENT OF ADMINISTRATION 112 CALIFORNIA AVENUE BLDG 4, 6TH FLOOR CHARLESTON WV US			DEPARTMENT OF ADMINISTRATION GENERAL SERVICES DIVISION BLDG 23 407 NEVILLE ST BECKLEY WV US		

Line	Comm Ln Desc	Qty	Unit Issue	Unit Price	Total Price
5	TRANE Water Source Heat Pumps - Model: GEHK036B1	1.00000	EA		

Comm Code	Manufacturer	Specification	Model #
40101806			

**Extended Description:**  
TRANE Water Source Heat Pumps - Model: GEHK036B1

INVOICE TO			SHIP TO		
DEPARTMENT OF ADMINISTRATION 112 CALIFORNIA AVENUE BLDG 4, 6TH FLOOR CHARLESTON WV US			DEPARTMENT OF ADMINISTRATION GENERAL SERVICES DIVISION BLDG 23 407 NEVILLE ST BECKLEY WV US		

Line	Comm Ln Desc	Qty	Unit Issue	Unit Price	Total Price
6	TRANE Water Source Heat Pumps - Model: GEHK024B1	1.00000	EA		

Comm Code	Manufacturer	Specification	Model #
40101806			

**Extended Description:**  
TRANE Water Source Heat Pumps - Model: GEHK024B1

**SCHEDULE OF EVENTS**

<u>Line</u>	<u>Event</u>	<u>Event Date</u>
1	Vendor Technical Questions Due By 12:00 pm., EST.	2026-02-19

**SOLICITATION NUMBER:** CRFQ GSD2600000025

**Addendum Number:** 1

---

The purpose of this addendum is to modify the solicitation identified as (“Solicitation”) to reflect the change(s) identified and described below.

**Applicable Addendum Category:**

- Modify bid opening date and time
- Modify specifications of product or service being sought
- Attachment of vendor questions and responses
- Attachment of pre-bid sign-in sheet
- Correction of error
- Other

**Description of Modification to Solicitation:**

1. Attach vendor technical questions and answers.

**Additional Documentation:** Documentation related to this Addendum (if any) has been included herewith as Attachment A and is specifically incorporated herein by reference.

**Terms and Conditions:**

1. All provisions of the Solicitation and other addenda not modified herein shall remain in full force and effect.
2. Vendor should acknowledge receipt of all addenda issued for this Solicitation by completing an Addendum Acknowledgment, a copy of which is included herewith. Failure to acknowledge addenda may result in bid disqualification. The addendum acknowledgement should be submitted with the bid to expedite document processing.

CRFQ GSD2600000025  
Vendor questions and responses.

Q1. The Trane representative we are working with has pointed out that all the model numbers appear to be incomplete for each line item. Please see response:

*"The model number provided below are missing some digits to advise what the supply and return position are.*

*I have attached the nomenclature for the GEHK units if needed.*

*The full numbers are needed to quote property."*

A1. Please see the specifications for full model numbers as well as supply and return positions.

**ADDENDUM ACKNOWLEDGEMENT FORM**  
**SOLICITATION NO.: CRFQ GSD26\*25**

Instructions: Please acknowledge receipt of all addenda issued with this solicitation by completing this addendum acknowledgment form. Check the box next to each addendum received and sign below. Failure to acknowledge addenda may result in bid disqualification.

Acknowledgment: I hereby acknowledge receipt of the following addenda and have made the necessary revisions to my proposal, plans and/or specification, etc.

Addendum Numbers Received:

*(Check the box next to each addendum received)*

- |  |  |
|--|--|
| <input checked="" type="checkbox"/> Addendum No. 1 | <input type="checkbox"/> Addendum No. 6  |
| <input type="checkbox"/> Addendum No. 2            | <input type="checkbox"/> Addendum No. 7  |
| <input type="checkbox"/> Addendum No. 3            | <input type="checkbox"/> Addendum No. 8  |
| <input type="checkbox"/> Addendum No. 4            | <input type="checkbox"/> Addendum No. 9  |
| <input type="checkbox"/> Addendum No. 5            | <input type="checkbox"/> Addendum No. 10 |

I understand that failure to confirm the receipt of addenda may be cause for rejection of this bid. I further understand that any verbal representation made or assumed to be made during any oral discussion held between Vendor's representatives and any state personnel is not binding. Only the information issued in writing and added to the specifications by an official addendum is binding.

Trane US Inc.

Company

*Antony*

Authorized Signature

3/5/26

Date

NOTE: This addendum acknowledgment should be submitted with the bid to expedite document processing.

REQUEST FOR QUOTATION – CRFQ GSD26\*25  
Building 23 Water Source Heat Pumps

---

SPECIFICATIONS

1. **PURPOSE AND SCOPE:** The West Virginia Purchasing Division is soliciting bids on behalf of the WV Department of Administration, General Services Division, to establish a contract for the for the one-time purchase of Water Source Heat Pumps (WSHP). This solicitation is for items only.
  
2. **DEFINITIONS:** The terms listed below shall have the meanings assigned to them below. Additional definitions can be found in section 2 of the General Terms and Conditions.
  - 2.1. **“Contract Item”** means Water Source Heat Pumps (WSHP) as more fully described by these specifications.
  
  - 2.2. **“Pricing Page”** means the pages, contained in wvOASIS or attached as Exhibit A, upon which Vendor should list its proposed price for the Contract Items.
  
  - 2.3. **“Solicitation”** means the official notice of an opportunity to supply the State with goods or services that is published by the Purchasing Division.

**3. GENERAL REQUIREMENTS:**

- 3.1. **Mandatory Contract Item Requirements:** Contract Item must meet or exceed the mandatory requirements listed below.

- 3.1.1. TRANE Water Source Heat Pumps – Model:  
GEHK018A1\*0KB0BRJ01110221000000000001A or Equal (Qty 1)
  - 3.1.1.1. WSHP must be 1 ½ Ton.
  - 3.1.1.2. WSHPs must be 208/60/1.
  - 3.1.1.3. WSHP must have Right return with back supply-air combination.
  - 3.1.1.4. WSHP must have Single Power Point.
  - 3.1.1.5. WSHP must have Air-Fi WCS-SD Display.
  - 3.1.1.6. WSHP must have Condensate Overflow Sensor.
  - 3.1.1.7. WSHP must have Unit Mounted Disconnect.
  - 3.1.1.8. WSHP must be TRANE BAS Controls Compatible (Ensemble).
  - 3.1.1.9. WSHP must have a minimum of a 5-year Compressor Warranty.
  - 3.1.1.10. WSHP must have a minimum of a 1-year Labor Warranty.
  
- 3.1.2. TRANE Water Source Heat Pump – Model:  
GEHK030B1\*0KB0BRJ01110221000000000001A or Equal (Qty 1)
  - 3.1.2.1. WSHP must be 2 ½ Ton.
  - 3.1.2.2. WSHPs must be 208-230/60/3.
  - 3.1.2.3. WSHP must have Right Return with Left Supply.
  - 3.1.2.4. WSHP must have Single Power Point.

**REQUEST FOR QUOTATION – CRFQ GSD26\*25**  
**Building 23 Water Source Heat Pumps**

---

- 3.1.2.5. WSHP must have Air-Fi WCS-SD Display.
- 3.1.2.6. WSHP must have Condensate Overflow Sensor.
- 3.1.2.7. WSHP must have Unit Mounted Disconnect.
- 3.1.2.8. WSHP must be TRANE BAS Controls Compatible (Ensemble).
- 3.1.2.9. WSHP must have a minimum of a 5-year Compressor Warranty.
- 3.1.2.10. WSHP must have a minimum of a 1-year Labor Warranty.

**3.1.3. TRANE Water Source Heat Pump – Model:**  
GEHK030B1\*0KB0BRJ01110221000000000001A or Equal (Qty 1)

- 3.1.3.1. WSHP must be 2 ½ Ton.
- 3.1.3.2. WSHPs must be 208-230/60/3.
- 3.1.3.3. WSHP must have Left Return with Right Supply.
- 3.1.3.4. WSHP must have Single Power Point.
- 3.1.3.5. WSHP must have Air-Fi WCS-SD Display.
- 3.1.3.6. WSHP must have Condensate Overflow Sensor.
- 3.1.3.7. WSHP must have Unit Mounted Disconnect.
- 3.1.3.8. WSHP must be TRANE BAS Controls Compatible (Ensemble).
- 3.1.3.9. WSHP must have a minimum of a 5-year Compressor Warranty.
- 3.1.3.10. WSHP must have a minimum of a 1-year Labor Warranty.

**3.1.4. TRANE Water Source Heat Pump – Model:**  
GEHK030B1\*0KB0BRJ01110221000000000001A or Equal (Qty 1)

- 3.1.4.1. WSHP must be 2 ½ Ton.
- 3.1.4.2. WSHPs must be 208-230/60/3.
- 3.1.4.3. WSHP must have Right Return with Left Supply.
- 3.1.4.4. WSHP must have Single Power Point.
- 3.1.4.5. WSHP must have Air-Fi WCS-SD Display.
- 3.1.4.6. WSHP must have Condensate Overflow Sensor.
- 3.1.4.7. WSHP must have Unit Mounted Disconnect.
- 3.1.4.8. WSHP must be TRANE BAS Controls Compatible (Ensemble).
- 3.1.4.9. WSHP must have a minimum of a 5-year Compressor Warranty.
- 3.1.4.10. WSHP must have a minimum of a 1-year Labor Warranty.

**3.1.5. TRANE Water Source Heat Pump – Model:**  
GEHK036B1\*0KB0BRJ01110221000000000001A or Equal (Qty 1)

- 3.1.5.1. WSHP must be 3 Ton.
- 3.1.5.2. WSHPs must be 208-230/60/3.
- 3.1.5.3. WSHP must have Right return with back supply-air combination.
- 3.1.5.4. WSHP must have Single Power Point.
- 3.1.5.5. WSHP must have Air-Fi WCS-SD Display.
- 3.1.5.6. WSHP must have Condensate Overflow Sensor.
- 3.1.5.7. WSHP must have Unit Mounted Disconnect.
- 3.1.5.8. WSHP must be TRANE BAS Controls Compatible (Ensemble).
- 3.1.5.9. WSHP must have a minimum of a 5-year Compressor Warranty.

REQUEST FOR QUOTATION – CRFQ GSD26\*25  
Building 23 Water Source Heat Pumps

---

3.1.5.10. WSHP must have a minimum of a 1-year Labor Warranty.

**3.1.6.** TRANE Water Source Heat Pump – Model:  
GEHK024B1\*0KB0BRJ011102210000000000001A or Equal (Qty 1)

- 3.1.6.1. WSHP must be 2 Ton.
- 3.1.6.2. WSHPs must be 208-230/60/3.
- 3.1.6.3. WSHP must have Right return with back supply-air combination.
- 3.1.6.4. WSHP must have Single Power Point.
- 3.1.6.5. WSHP must have Air-Fi WCS-SD Display.
- 3.1.6.6. WSHP must have Condensate Overflow Sensor.
- 3.1.6.7. WSHP must have Unit Mounted Disconnect.
- 3.1.6.8. WSHP must be TRANE BAS Controls Compatible (Ensemble).
- 3.1.6.9. WSHP must have a minimum of a 5-year Compressor Warranty.
- 3.1.6.10. WSHP must have a minimum of a 1-year Labor Warranty.

**3.1.7.** All Water Source Heat Pumps in this solicitation must come with new supply line kits with shut off and circuit setters.

**4. CONTRACT AWARD:**

- 4.1. Contract Award:** The Contract is intended to provide Agencies with a purchase price for the Contract Items. The Contract shall be awarded to the Vendor that provides the Contract Items meeting the required specifications for the lowest overall total cost as shown on the Pricing Pages.
- 4.2. Pricing Page:** Vendor must complete the Pricing Page by entering the price in words and numbers. Vendor must complete the Pricing Page in full as failure to complete the Pricing Page in its entirety may result in Vendor's bid being disqualified.

Vendor should type or electronically enter the information into the Pricing Page to prevent errors in the evaluation.

**5. PAYMENT:**

- 5.1. Payment:** Vendor shall accept payment in accordance with the payment procedures of the State of West Virginia.

**6. DELIVERY AND RETURN:**

- 6.1. Shipment and Delivery:** Vendor shall ship the Contract Items immediately after being awarded this Contract and receiving a purchase order or notice to proceed. Vendor shall deliver the Contract Items within Fifteen (15) working days after receiving a purchase order or notice to proceed. Contract Items must be delivered to

REQUEST FOR QUOTATION – CRFQ GSD26\*25  
Building 23 Water Source Heat Pumps

---

the Agency at (Building 23) 407 Neville Street, Beckley, West Virginia, 25801. Shipping/delivery shall be free of charge.

- 6.2. Late Delivery:** The Agency placing the order under this Contract must be notified in writing if the shipment of the Contract Items will be delayed for any reason. Any delay in delivery that could cause harm to an Agency will be grounds for cancellation of the Contract, and/or obtaining the Contract Items from a third party.

Any Agency seeking to obtain the Contract Items from a third party under this provision must first obtain approval of the Purchasing Division.

- 6.3. Delivery Payment/Risk of Loss:** Vendor shall deliver the Contract Items F.O.B. destination to the Agency's location. Delivery charges will not be accepted.

- 6.4. Return of Unacceptable Items:** If the Agency deems the Contract Items to be unacceptable, the Contract Items shall be returned to Vendor at Vendor's expense and with no restocking charge. The vendor shall either make arrangements for the return within five (5) days of being notified that items are unacceptable or permit the Agency to arrange for the return and reimburse Agency for delivery expenses. If the original packaging cannot be utilized for the return, Vendor will supply the Agency with appropriate return packaging upon request. All returns of unacceptable items shall be F.O.B. the Agency's location. The returned product shall either be replaced, or the Agency shall receive a full credit or refund for the purchase price, at the Agency's discretion.

- 6.5. Return Due to Agency Error:** Items ordered in error by the Agency will be returned for credit within 30 days of receipt, F.O.B. Vendor's location. Vendor shall not charge a restocking fee if returned products are in a resalable condition. Items shall be deemed to be in a resalable condition if they are unused and in the original packaging. Any restocking fee for items not in a resalable condition shall be the lower of the Vendor's customary restocking fee or 5% of the total invoiced value of the returned items.

**7. VENDOR DEFAULT:**

- 7.1.** The following shall be considered a vendor default under this Contract.

**7.1.2** Failure to provide Contract Items in accordance with the requirements contained herein.

**7.1.3** Failure to comply with other specifications and requirements contained herein.

**REQUEST FOR QUOTATION – CRFQ GSD26\*25**  
**Building 23 Water Source Heat Pumps**

---

**7.1.4** Failure to comply with any laws, rules, and ordinances applicable to the Contract Services provided under this Contract.

**7.1.5** Failure to remedy deficient performance upon request.

**7.2.** The following remedies shall be available to the Agency upon default.

**7.2.1** Immediate cancellation of the Contract.

**7.2.2** Immediate cancellation of one or more release orders issued under this Contract. Any other remedies available in law or equity.

Line	Comm Ln Desc	Qty	Unit Issue	Unit Price	Ln Total Or Contract Amount
1	TRANE Water Source Heat Pumps - Model: GEHK018A1	1.00000	EA	6118.000000	6118.00

Comm Code	Manufacturer	Specification	Model #
40101806			

**Commodity Line Comments:**

**Extended Description:**

TRANE Water Source Heat Pumps - Model: GEHK018A1

Line	Comm Ln Desc	Qty	Unit Issue	Unit Price	Ln Total Or Contract Amount
2	TRANE Water Source Heat Pumps - Model: GEHK030B1	1.00000	EA	6761.000000	6761.00

Comm Code	Manufacturer	Specification	Model #
40101806			

**Commodity Line Comments:**

**Extended Description:**

TRANE Water Source Heat Pumps - Model: GEHK030B1

Line	Comm Ln Desc	Qty	Unit Issue	Unit Price	Ln Total Or Contract Amount
3	TRANE Water Source Heat Pumps - Model: GEHK030B1	1.00000	EA	6761.000000	6761.00

Comm Code	Manufacturer	Specification	Model #
40101806			

**Commodity Line Comments:**

**Extended Description:**

TRANE Water Source Heat Pumps - Model: GEHK030B1

Line	Comm Ln Desc	Qty	Unit Issue	Unit Price	Ln Total Or Contract Amount
4	TRANE Water Source Heat Pumps - Model: GEHK030B1	1.00000	EA	6761.000000	6761.00

Comm Code	Manufacturer	Specification	Model #
40101806			

**Commodity Line Comments:**

**Extended Description:**

TRANE Water Source Heat Pumps - Model: GEHK030B1

Line	Comm Ln Desc	Qty	Unit Issue	Unit Price	Ln Total Or Contract Amount
5	TRANE Water Source Heat Pumps - Model: GEHK036B1	1.00000	EA	7058.000000	7058.00

Comm Code	Manufacturer	Specification	Model #
40101806			

**Commodity Line Comments:**

**Extended Description:**

TRANE Water Source Heat Pumps - Model: GEHK036B1

Line	Comm Ln Desc	Qty	Unit Issue	Unit Price	Ln Total Or Contract Amount
6	TRANE Water Source Heat Pumps - Model: GEHK024B1	1.00000	EA	6470.000000	6470.00

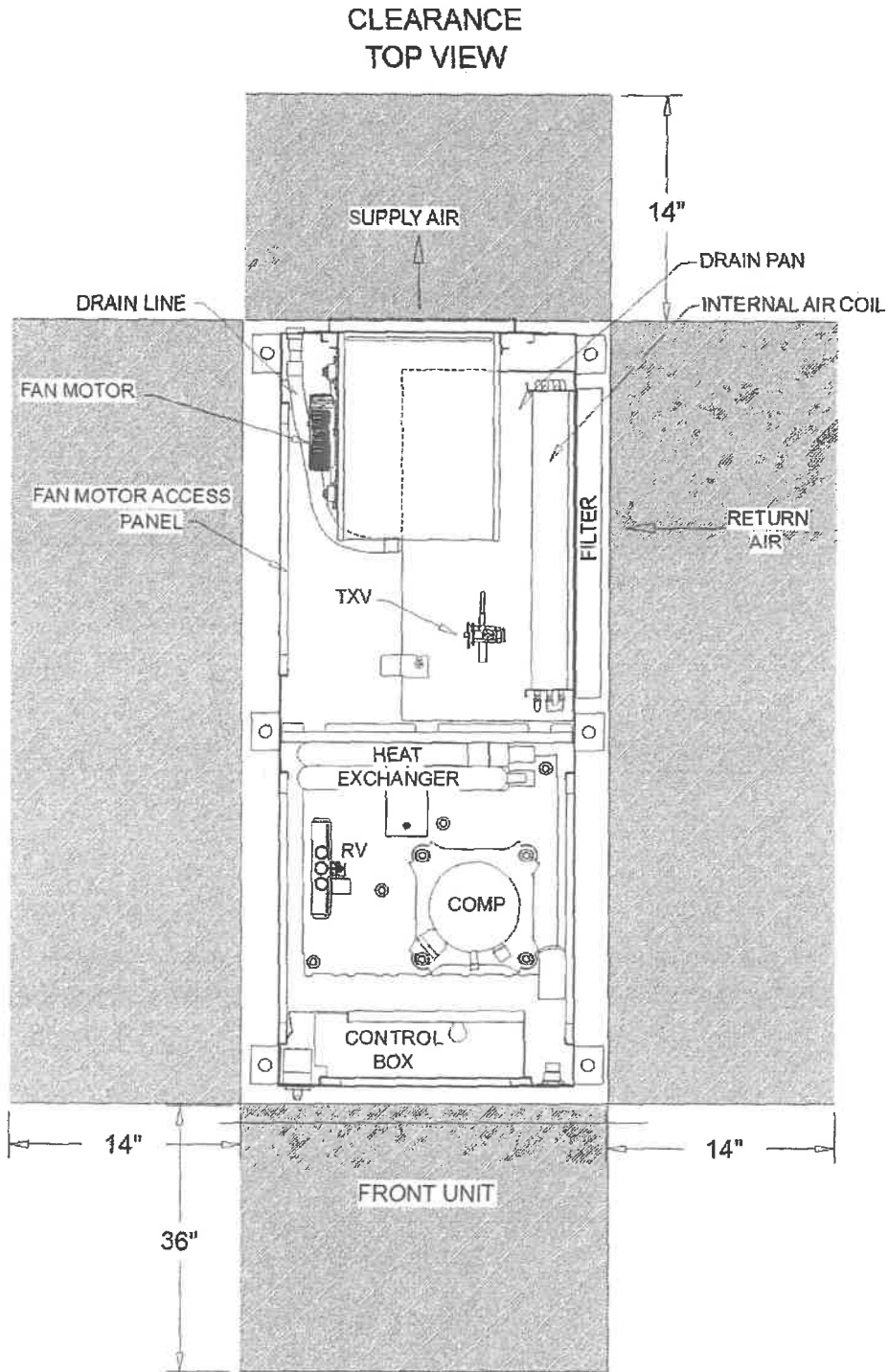
Comm Code	Manufacturer	Specification	Model #
40101806			

**Commodity Line Comments:**

**Extended Description:**

TRANE Water Source Heat Pumps - Model: GEHK024B1

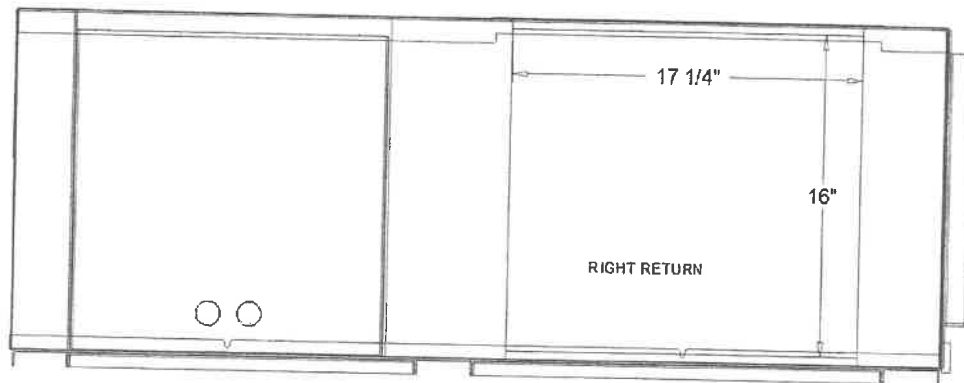
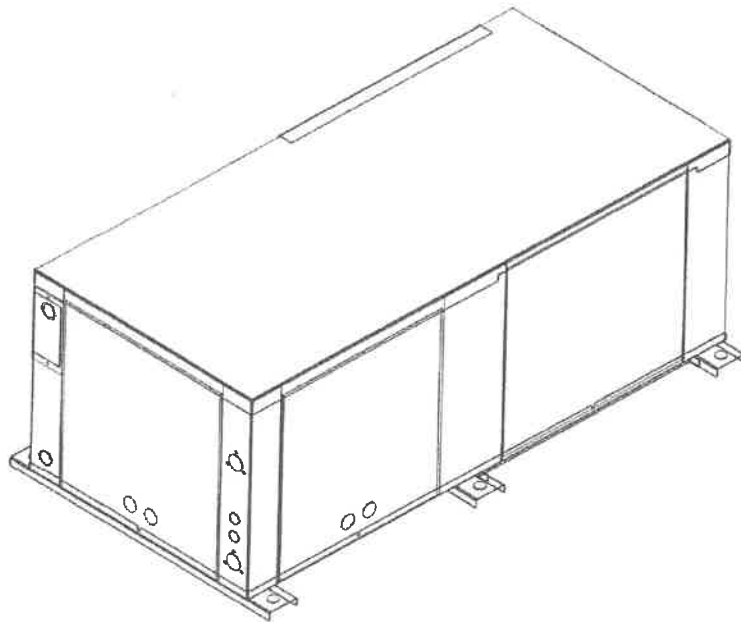
**Dimensional Drawings - Water-Source Comfort Systems**  
Item: A1 - A4 Qty: 6 Tag(s): HP-30, HP-31, HP-32, HP-29, HP-11, HP-9



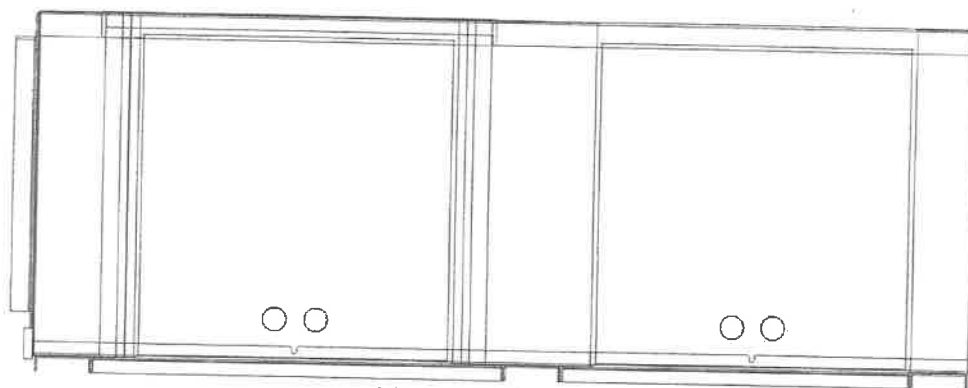
**NOTES:**

1. A minimum 14 inch clearance for servicing the unit is required for all 1/2 to 5 ton configurations from other mechanical and electrical equipment (where shown) to enable panel removal from the unit for service/maintenance ability. The optimum clearance required is 20 inches.

**Dimensional Drawings - Water-Source Comfort Systems**  
Item: A1 Qty: 1 Tag(s): HP-30



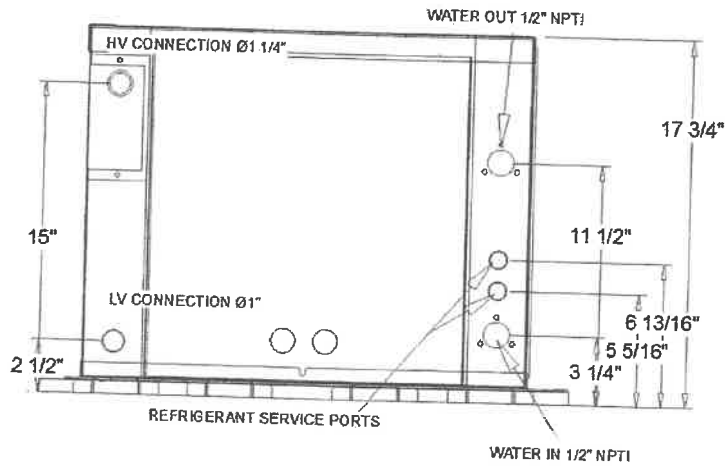
RIGHT VIEW



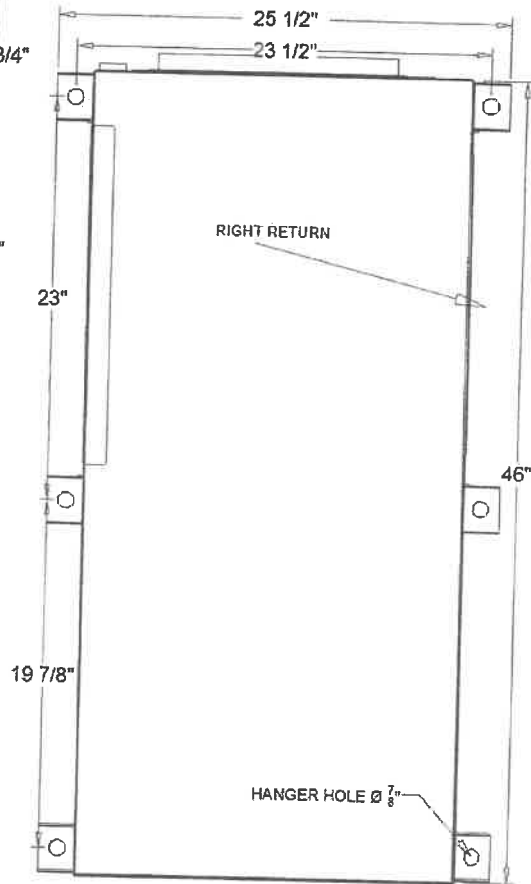
LEFT VIEW

**Dimensional Drawings - Water-Source Comfort Systems**  
Item: A1 Qty: 1 Tag(s): HP-30

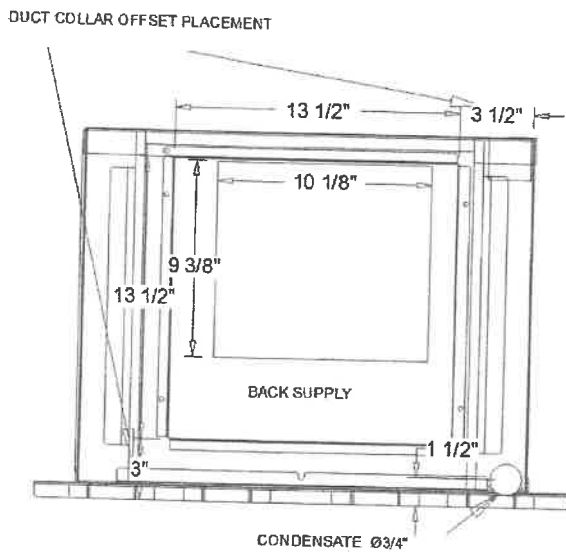
**015/018 Horizontal Back Supply/Right Return**



**FRONT VIEW**



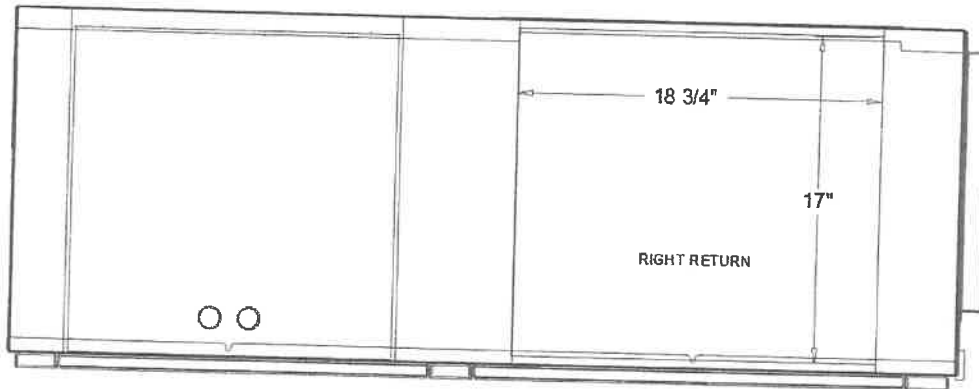
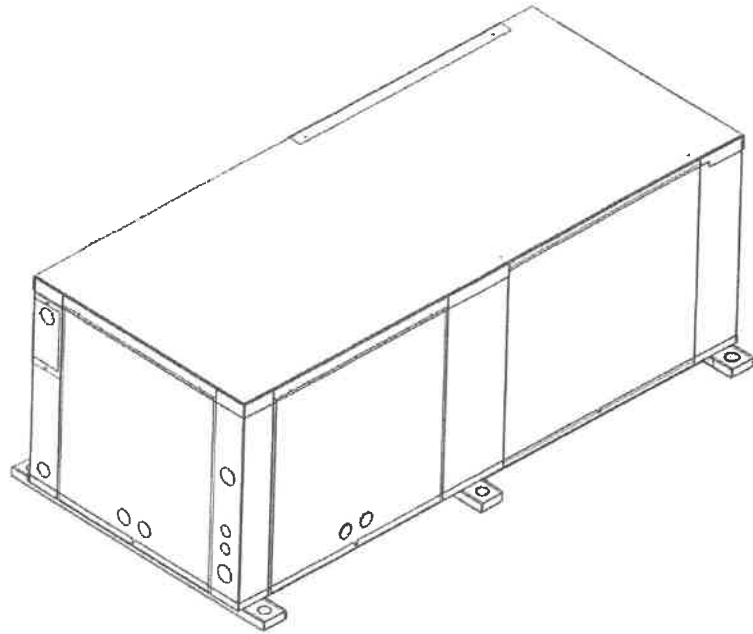
**TOP VIEW**



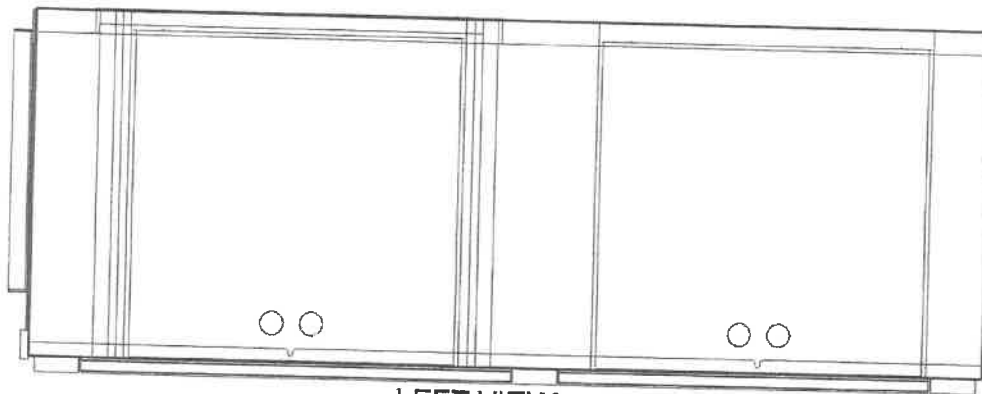
**BACK VIEW**



**Dimensional Drawings - Water-Source Comfort Systems**  
Item: A2, A4 Qty: 4 Tag(s): HP-31, HP-32, HP-29, HP-9



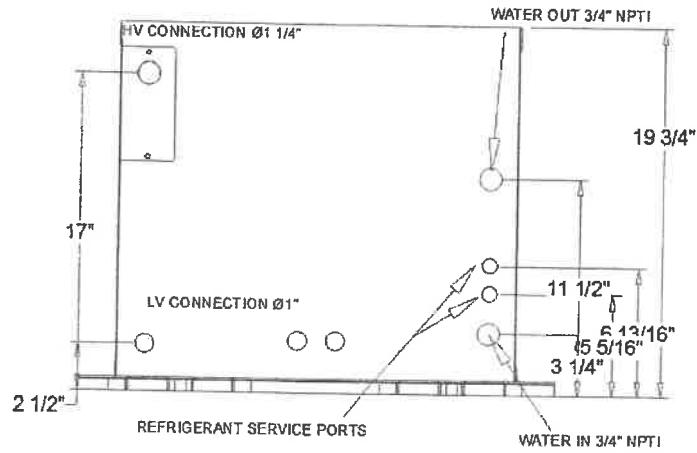
RIGHT VIEW



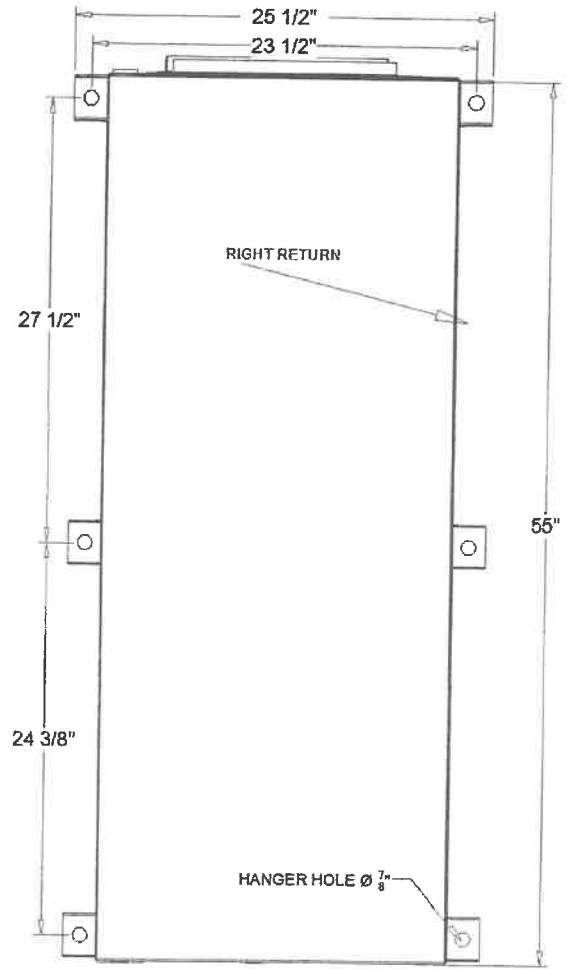
LEFT VIEW

**Dimensional Drawings - Water-Source Comfort Systems**  
Item: A3 Qty: 1 Tag(s): HP-11

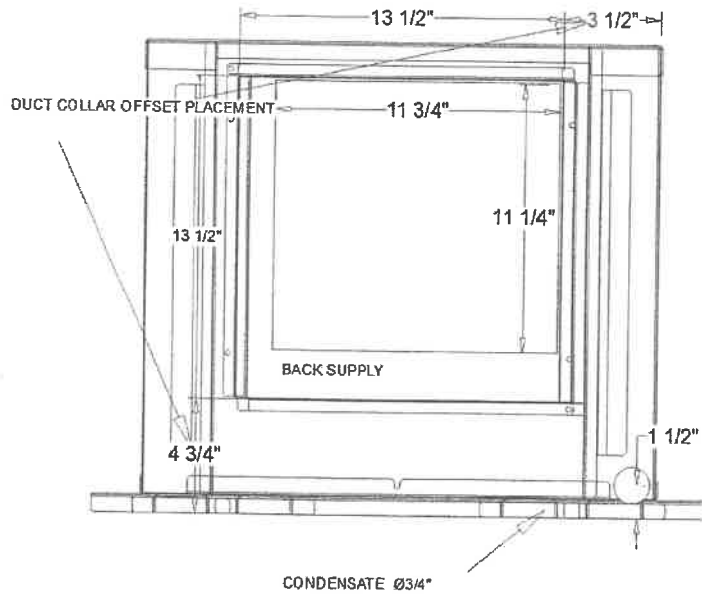
**036/042 Horizontal Back Supply/Right Return**



**FRONT VIEW**

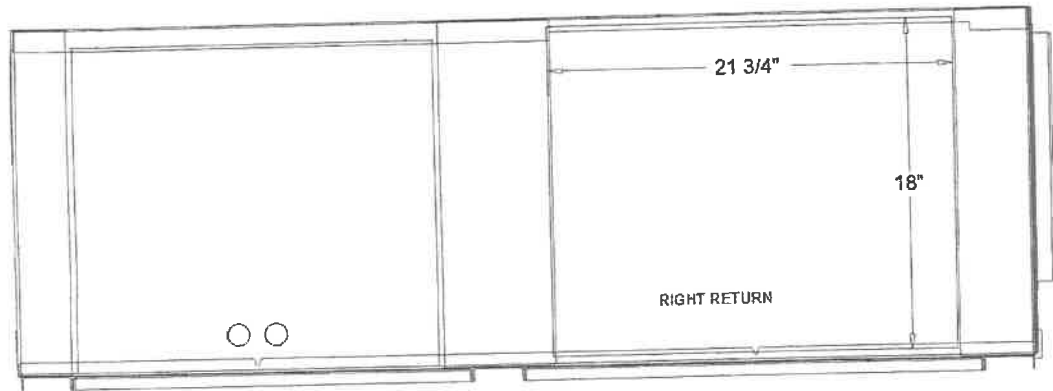
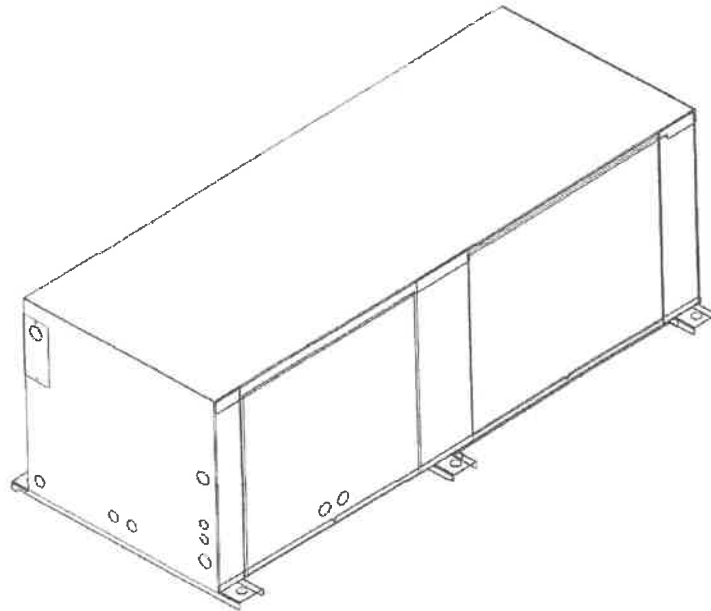


**TOP VIEW**

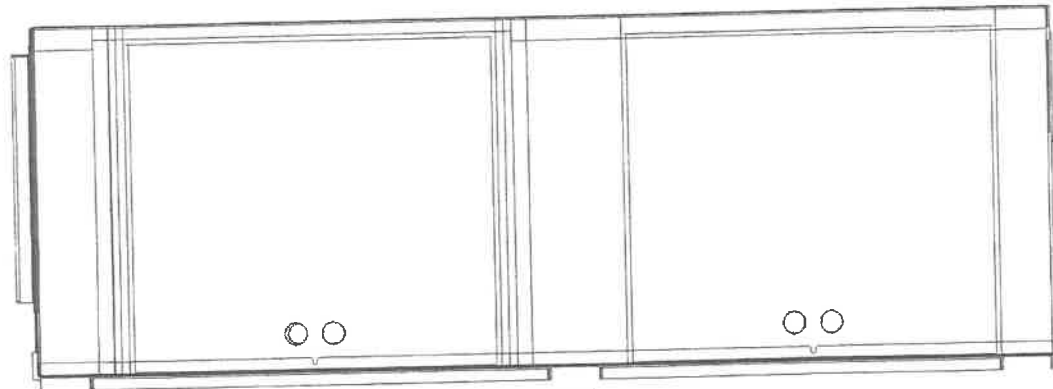


**BACK VIEW**

**Dimensional Drawings - Water-Source Comfort Systems**  
**Item: A3 Qty: 1 Tag(s): HP-11**



RIGHT VIEW



LEFT VIEW

STATE OF WEST VIRGINIA  
ADDENDUM TO VENDOR'S STANDARD CONTRACTUAL FORMS

State Agency, Board, or Commission (the "State"): General Services Division

Vendor: TRANE U.S. Inc.

Contract/Lease Number ("Contract"): CPO GSD26\*18

Commodity/Service: Bldg 23 Water Source Heat Pumps

The State and the Vendor are entering into the Contract identified above. The Vendor desires to incorporate one or more forms it created into the Contract. Vendor's form(s), however, include(s) one or more contractual terms and conditions that the State cannot or will not accept. In consideration for the State's incorporating Vendor's form(s) into the Contract, the Vendor enters into this Addendum which specifically eliminates or alters the legal enforceability of certain terms and conditions contained in Vendor's form(s). Therefore, on the date shown below each signature line, the parties agree to the following contractual terms and conditions in this Addendum are dominant over any competing terms made a part of the Contract:

1. **ORDER OF PRECEDENCE:** This Addendum modifies and supersedes anything contained on Vendor's form(s) whether or not they are submitted before or after the signing of this Addendum. **IN THE EVENT OF ANY CONFLICT BETWEEN VENDOR'S FORM(S) AND THIS ADDENDUM, THIS ADDENDUM SHALL CONTROL.**

2. **PAYMENT** – Payments for goods/services will be made in arrears only upon receipt of a proper invoice, detailing the goods/services provided or receipt of the goods/services, whichever is later. Notwithstanding the foregoing, payments for software licenses, subscriptions, or maintenance may be paid annually in advance.

Any language imposing any interest or charges due to late payment is deleted.

3. **FISCAL YEAR FUNDING** – Performance of this Contract is contingent upon funds being appropriated by the WV Legislature or otherwise being available for this Contract. In the event funds are not appropriated or otherwise available, the Contract becomes of no effect and is null and void after June 30 of the current fiscal year. If that occurs, the State may notify the Vendor that an alternative source of funding has been obtained and thereby avoid the automatic termination. Non-appropriation or non-funding shall not be considered an event of default.

4. **RIGHT TO TERMINATE** – The State reserves the right to terminate this Contract upon thirty (30) days written notice to the Vendor. If this right is exercised, the State agrees to pay the Vendor only for all undisputed services rendered or goods received before the termination's effective date. All provisions are deleted that seek to require the State to (1) compensate Vendor, in whole or in part, for lost profit, (2) pay a termination fee, or (3) pay liquidated damages if the Contract is terminated early.

Any language seeking to accelerate payments in the event of Contract termination, default, or non-funding is hereby deleted.

5. **DISPUTES** – Any language binding the State to any arbitration or to the decision of any arbitration board, commission, panel or other entity is deleted; as is any requirement to waive a jury trial.

Any language requiring or permitting disputes under this Contract to be resolved in the courts of any state other than the State of West Virginia is deleted. All legal actions for damages brought by Vendor against the State shall be brought in the West Virginia Claims Commission. Other causes of action must be brought in the West Virginia court authorized by statute to exercise jurisdiction over it.

Any language requiring the State to agree to, or be subject to, any form of equitable relief not authorized by the Constitution or laws of State of West Virginia is deleted.

6. **FEES OR COSTS:** Any language obligating the State to pay costs of collection, court costs, or attorney's fees, unless ordered by a court of competent jurisdiction is deleted.

7. **GOVERNING LAW** – Any language requiring the application of the law of any state other than the State of West Virginia in interpreting or enforcing the Contract is deleted. The Contract shall be governed by the laws of the State of West Virginia.

8. **RISK SHIFTING** – Any provision requiring the State to bear the costs of all or a majority of business/legal risks associated with this Contract, to indemnify the Vendor, or hold the Vendor or a third party harmless for any act or omission is hereby deleted.

9. **LIMITING LIABILITY** – Any language limiting the Vendor's liability for direct damages to person or property is deleted.

10. **TAXES** – Any provisions requiring the State to pay Federal, State or local taxes or file tax returns or reports on behalf of Vendor are deleted. The State will, upon request, provide a tax exempt certificate to confirm its tax exempt status.

11. **NO WAIVER** – Any provision requiring the State to waive any rights, claims or defenses is hereby deleted.

- 12. **STATUTE OF LIMITATIONS** – Any clauses limiting the time in which the State may bring suit against the Vendor or any other third party are deleted.
- 13. **ASSIGNMENT** – The Vendor agrees not to assign the Contract to any person or entity without the State's prior written consent, which will not be unreasonably delayed or denied. The State reserves the right to assign this Contract to another State agency, board or commission upon thirty (30) days written notice to the Vendor. These restrictions do not apply to the payments made by the State. Any assignment will not become effective and binding upon the State until the State is notified of the assignment, and the State and Vendor execute a change order to the Contract.
- 14. **RENEWAL** – Any language that seeks to automatically renew, modify, or extend the Contract beyond the initial term or automatically continue the Contract period from term to term is deleted. The Contract may be renewed or continued only upon mutual written agreement of the Parties.
- 15. **INSURANCE** – Any provision requiring the State to maintain any type of insurance for either its or the Vendor's benefit is deleted.
- 16. **RIGHT TO REPOSSESSION NOTICE** – Any provision for repossession of equipment without notice is hereby deleted. However, the State does recognize a right of repossession with notice.
- 17. **DELIVERY** – All deliveries under the Contract will be FOB destination unless the State expressly and knowingly agrees otherwise. Any contrary delivery terms are hereby deleted.
- 18. **CONFIDENTIALITY** – Any provisions regarding confidential treatment or non-disclosure of the terms and conditions of the Contract are hereby deleted. State contracts are public records under the West Virginia Freedom of Information Act ("FOIA") (W. Va. Code §29B-4-1, et seq.) and public procurement laws. This Contract and other public records may be disclosed without notice to the vendor at the State's sole discretion.  
  
Any provisions regarding confidentiality or non-disclosure related to contract performance are only effective to the extent they are consistent with FOIA and incorporated into the Contract through a separately approved and signed non-disclosure agreement.
- 19. **THIRD-PARTY SOFTWARE** – If this Contract contemplates or requires the use of third-party software, the vendor represents that none of the mandatory click-through, unsigned, or web-linked terms and conditions presented or required before using such third-party software conflict with any term of this Addendum or that it has the authority to modify such third-party software's terms and conditions to be subordinate to this Addendum. The Vendor shall indemnify and defend the State against all claims resulting from an assertion that such third-party terms and conditions are not in accord with, or subordinate to, this Addendum.
- 20. **AMENDMENTS** – The parties agree that all amendments, modifications, alterations or changes to the Contract shall be by mutual agreement, in writing, and signed by both parties. Any language to the contrary is deleted.

Notwithstanding the foregoing, this Addendum can only be amended by (1) identifying the alterations to this form by using *Italics* to identify language being added and ~~strikethrough~~ for language being deleted (do not use track-changes) and (2) having the Office of the West Virginia Attorney General's authorized representative expressly agree to and knowingly approve those alterations.

State: <u>West Virginia General Services Div.</u>	Vendor: <u>Trane U.S, Inc.</u>
By: <u>Cody Taylor</u>	By: <u>Kenneth Young</u>
Printed Name: <u>Cody Taylor</u>	Printed Name: <u>Kenneth Young</u>
Title: <u>Procurement Specialist Sr.</u>	Title: <u>Account Manager</u>
Date: <u>3/9/20</u>	Date: <u>3/5/20</u>

**TERMS AND CONDITIONS - COMMERCIAL EQUIPMENT**

"Company" shall mean Trane U.S. Inc. for sales in the United States and Trane Canada ULC for sales in Canada.

1. **Acceptance.** These terms and conditions are an integral part of Company's offer and form the basis of any agreement (the "Agreement") resulting from Company's proposal (the "Proposal") for the sale of the described commercial equipment and any ancillary services (the "Equipment"). **COMPANY'S TERMS AND CONDITIONS AND EQUIPMENT PRICES ARE SUBJECT TO PERIODIC CHANGE OR AMENDMENT.** The Proposal is subject to acceptance in writing by the party to whom this offer is made or an authorized agent ("Customer") delivered to Company within 15 days from the date of the Proposal. Prices in the Proposal are subject to change at any time upon notice to Customer. If Customer accepts the Proposal by placing an order, without the addition of any other terms and conditions of sale or any other modification, Customer's order shall be deemed acceptance of the Proposal subject to Company's terms and conditions. If Customer's order is expressly conditioned upon Company's acceptance or assent to terms and/or conditions other than those expressed herein, return of such order by Company with Company's terms and conditions attached or referenced serves as Company's notice of objection to Customer's terms and as Company's counteroffer to provide Equipment in accordance with the Proposal and the Company's terms and conditions. If Customer does not reject or object in writing to Company within 10 days, Company's counteroffer will be deemed accepted. Notwithstanding anything to the contrary herein, Customer's acceptance of the Equipment will in any event constitute an acceptance by Customer of Company's terms and conditions. This Agreement is subject to credit approval by Company. Upon disapproval of credit, Company may delay or suspend performance or, at its option, renegotiate prices and/or terms and conditions with Customer. If Company and Customer are unable to agree on such revisions, this Agreement shall be cancelled without any liability.
2. **Connected Services.** In addition to these terms and conditions, the Connected Services Terms of Service ("Connected Services Terms"), available at <https://www.trane.com/TraneConnectedServicesTerms>, as updated from time to time, are incorporated herein by reference and shall apply to the extent that Company provides Customer with Connected Services, as defined in the Connected Services Terms.
3. **Title and Risk of Loss.** All Equipment sales with destinations to Canada or the U.S. shall be made as follows: FOB Company's U.S. manufacturing facility or warehouse (full freight allowed). Title and risk of loss or damage to Equipment will pass to Customer upon tender of delivery of such to carrier at Company's U.S. manufacturing facility or warehouse.
4. **Pricing and Taxes.** Within forty-five (45) days following Customer acceptance of the Proposal without addition of any other terms and conditions of sale or any modification, Customer shall provide notification of release for immediate production at Company's factory. Prices for Equipment are subject to change at any time prior to shipment to reflect any cost increases related to the manufacture, supply, and shipping of Equipment. This includes, but is not limited to, cost increases in raw materials, supplier components, labor, utilities, freight, logistics, wages and benefits, regulatory compliance, or any other event beyond Company's control. If shipment is delayed due to Customer's actions, Company may also charge Customer with storage fees. If a release is not received within 6 months following order acceptance, Company reserves the right to cancel any order. Company shall be entitled to equitable adjustments in the contract price to reflect any cost increases as set forth above and will provide notice to Customer prior to the date for which the increased price is to be in effect for the applicable customer contract. In no event will prices be decreased. The price of Equipment does not include any present or future foreign, federal, state, or local property, license, privilege, sales, use, excise, value added, gross receipts or other like taxes or assessments. Such amounts will be itemized separately to Customer, who will make prompt payment to Company. Company will accept valid exemption documentation for such taxes and assessments from Customer, if applicable. All prices include packaging in accordance with Company's standard procedures. Charges for special packaging, crating or packing are the responsibility of Customer.
5. **Delivery and Delays.** Delivery dates are approximate and not guaranteed. Company will use commercially reasonable efforts to deliver the Equipment on or before the estimated delivery date, will notify Customer if the estimated delivery dates cannot be honored, and will deliver the Equipment and services as soon as practicable thereafter. In no event will Company be liable for any damages or expenses caused by delays in delivery.
6. **Performance.** Company shall be obligated to furnish only the Equipment described in the Proposal and in submittal data (if such data is issued in connection with the order). Company may rely on the acceptance of the Proposal and submittal data as acceptance of the suitability of the Equipment for the particular project or location. Unless specifically stated in the Proposal, compliance with any local building codes or other laws or regulations relating to specifications or the location, use or operation of the Equipment is the sole responsibility of Customer. If Equipment is tendered that does not fully comply with the provisions of this Agreement and Equipment is rejected by Customer, Company will have the right to cure within a reasonable time after notice thereof by substituting a conforming tender whether or not the time for performance has passed.
7. **Force Majeure.** Company's duty to perform under this Agreement and the Equipment prices are contingent upon the non-occurrence of an Event of Force Majeure. If the Company shall be unable to carry out any material obligation under this Agreement due to an Event of Force Majeure, this Agreement shall at Company's election (i) remain in effect but Company's obligations shall be suspended until the uncontrollable event terminates or (ii) be terminated upon 10 days' notice to Customer, in which event Customer shall pay Company for all parts of the Work furnished to the date of termination. An "Event of Force Majeure" shall mean any cause or event beyond the control of Company. Without limiting the foregoing, "Event of Force Majeure" includes: acts of God; acts of terrorism; war or the public enemy; flood; earthquake; tornado; storm; fire; civil disobedience; pandemic insurrections; riots; labor/labour disputes; labor/labour or material shortages; sabotage; restraint by court order or public authority (whether valid or invalid); and action or non-action by or inability to obtain or keep in force the necessary governmental authorizations, permits, licenses, certificates or approvals if not caused by Company; and the requirements of any applicable government in any manner that diverts either the material or the finished product to the direct or indirect benefit of the government.
8. **Limited Warranty.** Company warrants the Equipment manufactured by Company for a period of the lesser of 12 months from initial start-up or 18 months from date of shipment, whichever is less, against failure due to defects in material and manufacture and that it has the capacities and ratings set forth in Company's catalogs and bulletins ("Warranty"). **Equipment manufactured by Company that includes required start-up and sold in North America will not be warranted by Company unless Company performs the Equipment startup.** Exclusions from this Warranty include damage or failure arising from: wear and tear; corrosion, erosion, deterioration; modifications made by others to the Equipment; repairs or alterations by a party other than Company that adversely affects the stability or reliability of the Equipment; vandalism; neglect; accident; adverse weather or environmental conditions; abuse or improper use; improper installation; commissioning by a party other than Company; unusual physical or electrical or mechanical stress; operation with any accessory, equipment or part not specifically approved by Company; refrigerant not supplied by Company; and/or lack of proper maintenance as recommended by Company. Company shall not be obligated to pay for the cost of lost refrigerant or lost product. Company's obligations and liabilities under this Warranty are limited to furnishing replacement equipment or parts, at its option, FCA (Incoterms 2000) factory or warehouse (f.o.b. factory or warehouse for US domestic purposes) at Company-designated shipping point, freight-allowed to Company's warranty agent's stock location, for all non-conforming Company-manufactured Equipment (which have been returned by Customer to Company). Returns must have prior written approval by Company and are subject to restocking charge where applicable. Equipment, material and/or parts that are not manufactured by Company ("Third-Party Product(s)") are not warranted by Company and have such warranties as may be extended by the respective manufacturer. **CUSTOMER UNDERSTANDS THAT COMPANY IS NOT THE MANUFACTURER OF ANY THIRD-PARTY PRODUCT(S) AND ANY WARRANTIES, CLAIMS, STATEMENTS, REPRESENTATIONS, OR SPECIFICATIONS ARE THOSE OF THE THIRD-PARTY MANUFACTURER, NOT COMPANY AND CUSTOMER IS NOT RELYING ON ANY WARRANTIES, CLAIMS, STATEMENTS, REPRESENTATIONS, OR SPECIFICATIONS REGARDING THE THIRD-PARTY PRODUCT THAT MAY BE PROVIDED BY COMPANY OR ITS AFFILIATES, WHETHER ORAL OR WRITTEN. COMPANY MAKES NO REPRESENTATION OR WARRANTY OF ANY KIND, INCLUDING WARRANTY OF MERCHANTABILITY OR FITNESS FOR PARTICULAR PURPOSE. ADDITIONALLY, COMPANY MAKES NO REPRESENTATION OR WARRANTY OF ANY KIND REGARDING PREVENTING, ELIMINATING, REDUCING OR INHIBITING ANY MOLD, FUNGUS, BACTERIA, VIRUS, MICROBIAL GROWTH, OR ANY OTHER CONTAMINANTS (INCLUDING COVID-19 OR ANY SIMILAR VIRUS) (COLLECTIVELY, "CONTAMINANTS"), WHETHER INVOLVING OR IN CONNECTION WITH EQUIPMENT, ANY COMPONENT THEREOF, SERVICES OR OTHERWISE. IN NO EVENT SHALL COMPANY HAVE ANY LIABILITY FOR THE PREVENTION, ELIMINATION, REDUCTION OR INHIBITION OF THE GROWTH OR SPREAD OF SUCH CONTAMINANTS INVOLVING OR IN CONNECTION WITH ANY EQUIPMENT, THIRD-PARTY PRODUCT, OR ANY COMPONENT THEREOF, SERVICES OR OTHERWISE AND CUSTOMER HEREBY SPECIFICALLY ACKNOWLEDGES AND AGREES THERETO.** No warranty liability whatsoever shall attach to Company until Customer's complete order has been paid for in full and Company's liability under this Warranty shall be limited to the purchase price of the Equipment shown to be defective. Additional warranty protection is available on an extra-cost basis and must be in writing and agreed to by an authorized signatory of the Company. **EXCEPT FOR COMPANY'S WARRANTY EXPRESSLY SET FORTH HEREIN, COMPANY DOES NOT MAKE, AND HEREBY EXPRESSLY DISCLAIMS, ANY WARRANTIES, EXPRESS OR IMPLIED CONCERNING ITS PRODUCTS, EQUIPMENT OR SERVICES, INCLUDING, WITHOUT LIMITATION, ANY WARRANTY OF DESIGN, MERCHANTABILITY OR OF FITNESS FOR A PARTICULAR PURPOSE, OR OTHERS THAT ARE ALLEGED TO ARISE FROM COURSE OF DEALING OR TRADE.**
9. **Indemnity.** To the fullest extent permitted by law, Company and Customer shall indemnify, defend and hold harmless each other from any and all claims, actions, costs, expenses, damages and liabilities, including reasonable attorneys' fees, resulting from death or bodily injury or damage to real or personal property, to the extent caused by the negligence or misconduct of their respective employees or other authorized agents in connection with their activities within the scope of this Agreement. Neither party shall indemnify the other against claims, damages, expenses or liabilities to the extent attributable to the acts or omissions of the other party. If the parties are both at fault, the obligation to indemnify shall be proportional to their relative fault. The duty to indemnify will continue in full force and effect, notwithstanding the expiration or early termination hereof, with respect to any claims based on facts or conditions that occurred prior to expiration or termination.

**10. Insurance.** Upon request, Company will furnish evidence of its standard insurance coverage. If Customer has requested to be named as an additional insured under Company's insurance policy, Company will do so but only subject to Company's manuscript additional insured endorsement under its primary Commercial General Liability policies. In no event does Company waive any rights of subrogation.

**11. Customer Breach.** Each of the following events or conditions shall constitute a breach by Customer and shall give Company the right, without an election of remedies, to terminate this Agreement, require payment prior to shipping, or suspend performance by delivery of written notice: (1) Any failure by Customer to pay amounts when due; (2) any general assignment by Customer for the benefit of its creditors, or if Customer becomes bankrupt or insolvent or takes the benefit of any statute for bankrupt or insolvent debtors, or makes or proposes to make any proposal or arrangement with creditors, or if any steps are taken for the winding up or other termination of Customer or the liquidation of its assets, or if a trustee, receiver, or similar person is appointed over any of the assets or interests of Customer; (3) Any representation or warranty furnished by Customer in connection with this Agreement is false or misleading in any material respect when made; or (4) Any failure by Customer to perform or comply with any material provision of this Agreement. Customer shall be liable to the Company for all Equipment furnished and all damages sustained by Company (including lost profit and overhead).

**12. Limitation of Liability.** NOTWITHSTANDING ANYTHING TO THE CONTRARY, IN NO EVENT SHALL COMPANY BE LIABLE FOR ANY SPECIAL, INCIDENTAL, INDIRECT CONSEQUENTIAL, PUNITIVE, EXEMPLARY DAMAGES (INCLUDING WITHOUT LIMITATION REFRIGERANT LOSS, BUSINESS INTERRUPTION, LOST DATA, LOST REVENUE, LOST PROFITS), OR CONTAMINANTS LIABILITIES, EVEN IF A PARTY HAS BEEN ADVISED OF SUCH POSSIBLE DAMAGES OR IF SAME WERE REASONABLY FORESEEABLE AND REGARDLESS OF WHETHER THE CAUSE OF ACTION IS FRAMED IN CONTRACT, NEGLIGENCE, ANY OTHER TORT, WARRANTY, STRICT LIABILITY, OR PRODUCT LIABILITY. In no event will Company's liability in connection with the provision of products or services or otherwise under this Agreement exceed the entire amount paid to Company by Customer under this Agreement.

**13. CONTAMINANTS LIABILITY**  
The transmission of COVID-19 may occur in a variety of ways and circumstances, many of the aspects of which are currently not known. HVAC systems, products, services and other offerings have not been tested for their effectiveness in reducing the spread of COVID-19, including through the air in closed environments. **IN NO EVENT WILL COMPANY BE LIABLE UNDER THIS AGREEMENT OR OTHERWISE FOR ANY INDEMNIFICATION, ACTION, OR CLAIM, WHETHER BASED ON WARRANTY, CONTRACT, TORT OR OTHERWISE, FOR ANY BODILY INJURY (INCLUDING DEATH), DAMAGE TO PROPERTY, OR ANY OTHER LIABILITIES, DAMAGES OR COSTS RELATED TO CONTAMINANTS (INCLUDING THE SPREAD, TRANSMISSION, MITIGATION, ELIMINATION, OR CONTAMINATION THEREOF) (COLLECTIVELY, "CONTAMINANTS LIABILITIES") AND CUSTOMER HEREBY EXPRESSLY RELEASES COMPANY FROM ANY SUCH CONTAMINANTS LIABILITIES.**

**14. Nuclear Liability.** In the event that the Equipment sold hereunder is to be used in a nuclear facility, Customer will, prior to such use, arrange for insurance or governmental indemnity protecting Company against all liability and hereby releases and agrees to indemnify Company and its suppliers for any nuclear damage, including loss of use, in any manner arising out of a nuclear incident, whether alleged to be due, in whole or in part to the negligence of Company or its suppliers.

**15. Intellectual Property; Patent Indemnity.** Company retains all ownership, license and other rights to all patents, trademarks, copyrights, trade secrets and other intellectual property rights related to the Equipment, and, except for the right to use the Equipment sold, Customer obtains no rights to use any such intellectual property. Company agrees to defend any suit or proceeding brought against Customer so far as such suit or proceeding is solely based upon a claim that the use of the Equipment provided by Company constitutes infringement of any patent of the United States of America, provided Company is promptly notified in writing and given authority, information and assistance for defense of same. Company will, at its option, procure for Customer the right to continue to use said Equipment, or modify it so that it becomes non-infringing, or replace same with non-infringing Equipment, or to remove said Equipment and to refund the purchase price. The foregoing will not be construed to include any Agreement by Company to accept any liability whatsoever in respect to patents for inventions including more than the Equipment furnished hereunder, or in respect of patents for methods and processes to be carried out with the aid of said Equipment. The provision of Equipment by Company does not convey any license, by implication, estoppel, or otherwise, under patent claims covering combinations of said Equipment with other devices or elements. The foregoing states the entire liability of Company with regard to patent infringement. Notwithstanding the provisions of this paragraph, Customer will hold Company harmless against any expense or loss resulting from infringement of patents or trademarks arising from compliance with Customer's designs or specifications or instructions.

**16. Cancellation.** Equipment is specially manufactured in response to orders. An order placed with and accepted by Company cannot be delayed, canceled, suspended, or extended except with Company's written consent and upon written terms accepted by Company that will reimburse Company for and indemnify Company against loss and provide Company with a reasonable profit for its materials, time, labor, services, use of facilities and otherwise. Customer will be obligated to accept any Equipment shipped, tendered for delivery or delivered by Company pursuant to the order prior to any agreed delay, cancellation, suspension or extension of the order. Any attempt by Customer to unilaterally revoke, delay or suspend acceptance for any reason whatever after it has agreed to delivery of or accepted any shipment shall constitute a breach of this Agreement. For purposes of this paragraph, acceptance occurs by any waiver of inspection, use or possession of Equipment, payment of the invoice, or any indication of exclusive control exercised by Customer.

**17. Invoicing and Payment.** Unless otherwise agreed to in writing by Company, equipment shall be invoiced to Customer upon tender of delivery thereof to the carrier. Customer shall pay Company's invoices within net 30 days of shipment date. Company reserves the right to add to any account outstanding for more than 30 days a service charge equal to the lesser of the maximum allowable legal interest rate or 1.5% of the principal amount due at the end of each month. Customer shall pay all costs (including attorneys' fees) incurred by Company in attempting to collect amounts due and otherwise enforcing these terms and conditions. If requested, Company will provide appropriate lien waivers upon receipt of payment. Company may at any time decline to ship, make delivery or perform work except upon receipt of cash payment, letter of credit, or security, or upon other terms and conditions satisfactory to Company. Customer agrees that, unless Customer makes payment in advance, Company will have a purchase money security interest in all Equipment to secure payment in full of all amounts due Company and its order for the Equipment, together with these terms and conditions, form a security agreement (as defined by the UCC in the United States and as defined in the Personal Property Security Act in Canada). Customer shall keep the Equipment free of all taxes and encumbrances, shall not remove the Equipment from its original installation point and shall not assign or transfer any interest in the Equipment until all payments due Company have been made. The purchase money security interest granted herein attaches upon Company's acceptance of Customer's order and on receipt of the Equipment described in the accepted Proposal but prior to its installation. The parties have no agreement to postpone the time for attachment unless specifically noted in writing on the accepted order. Customer will have no rights of set off against any amounts, which become payable to Company under this Agreement or otherwise.

**18. Claims.** Company will consider claims for concealed shortages in shipments or rejections due to failure to conform to an order only if such claims or rejections are made in writing within 15 days of delivery and are accompanied by the packing list and, if applicable, the reasons in detail why the Equipment does not conform to Customer's order. Upon receiving authorization and shipping instructions from authorized personnel of Company, Customer may return rejected Equipment, transportation charges prepaid, for replacement. Company may charge Customer any costs resulting from the testing, handling, and disposition of any Equipment returned by Customer which are not found by Company to be nonconforming. All Equipment damaged during shipment and all claims relating thereto must be made with the freight carrier in accordance with such carrier's policies and procedures. Claims for Equipment damaged during shipment are not covered under the warranty provision stated herein.

**19. Export Laws.** The obligation of Company to supply Equipment under this Agreement is subject to the ability of Company to supply such items consistent with applicable laws and regulations of the United States and other governments. Company reserves the right to refuse to enter into or perform any order, and to cancel any order, under this Agreement if Company in its sole discretion determines that performance of the transaction to which such order relates would violate any such applicable law or regulation. Customer will pay all handling and other similar costs from Company's factories including the costs of freight, insurance, export clearances, import duties and taxes. Customer will be "exporter of record" with respect to any export from the United States of America and will perform all compliance and logistics functions in connection therewith and will also comply with all applicable laws, rules and regulations. Customer understands that Company and/or the Equipment are subject to laws and regulations of the United States of America which may require licensing or authorization for and/or prohibit export, re-export or diversion of Company's Equipment to certain countries, and agrees it will not knowingly assist or participate in any such diversion or other violation of applicable United States of America laws and regulations. Customer agrees to hold harmless and indemnify Company for any damages resulting to Customer or Company from a breach of this paragraph by Customer.

**20. General.** Except as provided below, to the maximum extent provided by law, this Agreement is made and shall be interpreted and enforced in accordance with the laws of the state of New York for Equipment shipped to a U.S. location and the laws of the province to which Equipment is shipped within Canada, without regard to its conflict of law principles that might otherwise call for the application of a different state's or province's law, and not including the United Nations Convention on Contracts for the International Sale of Goods. To the extent the Equipment is being used at a site owned and/or operated by any agency of the Federal Government, determination of any substantive issue of law shall be according to the Federal common law of Government contracts as enunciated and applied by Federal judicial bodies and boards of contract appeals of the Federal Government. This Agreement contains all of the agreements, representations and understandings of the parties and supersedes all previous understandings, commitments or agreements, oral or written, related to the subject matter hereof. This Agreement may not be amended, modified or terminated except by a writing signed by the parties hereto. No documents shall be incorporated herein by reference except to the extent Company is a signatory thereon. If any term or condition of this Agreement is invalid, illegal or incapable of being enforced by any rule of law, all other terms and conditions of this Agreement will nevertheless remain in full force and effect as long as the economic or legal substance of the transaction contemplated hereby is not affected in a manner adverse to any party hereto. Customer may not assign, transfer, or convey this Agreement, or any part hereof, or its right, title or interest herein, without the written consent of the Company. Subject to the foregoing, this Agreement shall be binding upon and inure to the benefit of Customer's permitted successors and assigns. This Agreement may be executed in several

counterparts, each of which when executed shall be deemed to be an original, but all together shall constitute but one and the same Agreement. A fully executed facsimile copy hereof or the several counterparts shall suffice as an original.

**21. Federal Requirements.** The Parties shall comply with all United States federal labor law obligations under 29 CFR part 471, appendix A to subpart A. THE FOLLOWING PROVISIONS ARE INCORPORATED HEREIN BY REFERENCE: Executive Order 11701 and 41 CFR §§ 60-250.5(a), 60-300.5; Executive Order 11758 and 41 CFR § 60-741.5(a); U.S. immigration laws, including the L-1 Visa Reform Act of 2004 and the H-1B Visa Reform Act of 2004; and Executive Order 13496. The Parties shall abide by the requirements of 41 CFR 60-300.5(a) and 60-741.5(a). These regulations prohibit discrimination against qualified individuals based on their status as protected veterans or individuals with disabilities. Moreover, these regulations require that covered prime contractors and subcontractors take affirmative action to employ and advance in employment individuals without regard to protected veteran status or disability. The Parties certify that they do not operate any programs promoting DEI that violate any applicable United States anti-discrimination laws and acknowledge and agree that their compliance with all applicable federal anti-discrimination laws is material to the federal government's payment decisions. The Parties acknowledge and agree that their employment, procurement, and contracting practices shall not consider race, color, sex, sexual preference, religion, or national origin in ways that violate United States federal civil rights laws.

**22. U.S. Government Work.**

**The following provision applies only to direct sales by Company to the US Government.** The Parties acknowledge that Equipment ordered and delivered under this Agreement are Commercial Items as defined under Part 12 of the Federal Acquisition Regulation (FAR). In particular, Company agrees to be bound only by those Federal contracting clauses that apply to "commercial" suppliers and that are contained in FAR 52.212-5(e)(1).

**The following provision applies only to indirect sales by Company to the US Government.** As a Commercial Item Subcontractor, Company accepts only the following mandatory flow down provisions: 52.219-8; 52.222-26; 52.222-35; 52.222-36; 52.222-39; 52.247-64. If the sale of the Equipment is in connection with a U.S. Government contract, Customer certifies that it has provided and will provide current, accurate, and complete information, representations and certifications to all government officials, including but not limited to the contracting officer and officials of the Small Business Administration, on all matters related to the prime contract, including but not limited to all aspects of its ownership, eligibility, and performance. Anything herein notwithstanding, Company will have no obligations to Customer unless and until Customer provides Company with a true, correct and complete executed copy of the prime contract. Upon request, Customer will provide copies to Company of all requested written communications with any government official related to the prime contract prior to or concurrent with the execution thereof, including but not limited to any communications related to Customer's ownership, eligibility or performance of the prime contract. Customer will obtain written authorization and approval from Company prior to providing any government official any information about Company's performance of the work that is the subject of the Proposal or this Agreement, other than the Proposal or this Agreement.

**23. Limited Waiver of Sovereign Immunity.** If Customer is an Indian tribe (in the U.S.) or a First Nation or Band Council (in Canada), Customer, whether acting in its capacity as a government, governmental entity, a duly organized corporate entity or otherwise, for itself and for its agents, successors, and assigns: (1) hereby provides this limited waiver of its sovereign immunity as to any damages, claims, lawsuit, or cause of action (herein "Action") brought against Customer by Company and arising or alleged to arise out of the furnishing by Company of any product or service under this Agreement, whether such Action is based in contract, tort, strict liability, civil liability or any other legal theory; (2) agrees that jurisdiction and venue for any such Action shall be proper and valid (a) if Customer is in the U.S., in any state or United States court located in the state in which Company is performing this Agreement or (b) if Customer is in Canada, in the superior court of the province or territory in which the work was performed; (3) expressly consents to such Action, and waives any objection to jurisdiction or venue; (4) waives any requirement of exhaustion of tribal court or administrative remedies for any Action arising out of or related to this Agreement; and (5) expressly acknowledges and agrees that Company is not subject to the jurisdiction of Customer's tribal court or any similar tribal forum, that Customer will not bring any action against Company in tribal court, and that Customer will not avail itself of any ruling or direction of the tribal court permitting or directing it to suspend its payment or other obligations under this Agreement. The individual signing on behalf of Customer warrants and represents that such individual is duly authorized to provide this waiver and enter into this Agreement and that this Agreement constitutes the valid and legally binding obligation of Customer, enforceable in accordance with its terms.

1-26.130-4 (0225)  
Supersedes 1-26.130-4(1024)

**SECURITY ADDENDUM**

This Addendum shall be applicable to the sale, installation and use of Trane equipment and the sale and provision of Trane services. "Trane" shall mean Trane U.S. Inc. for sales and services in the United States, or Trane Canada ULC for sales and services in Canada.

1. **Definitions.** All terms used in this Addendum shall have the meaning specified in the Agreement unless otherwise defined herein. For the purposes of this Addendum, the following terms are defined as follows:
  - "Customer Data" means Customer account information as related to the Services only and does not include HVAC Machine Data or personal data. Trane does not require, nor shall Customer provide personal data to Trane under the Agreement. Such data is not required for Trane to provide its Equipment and/or Services to the Customer.
  - "Equipment" shall have the meaning set forth in the Agreement.
  - "HVAC Machine Data" means data generated and collected from the product or furnished service without manual entry. HVAC Machine Data is data relating to the physical measurements and operating conditions of a HVAC system, such as but not limited to, temperatures, humidity, pressure, HVAC equipment status. HVAC Machine Data does not include Personal Data and, for the purposes of this agreement, the names of users of Trane's controls products or hosted applications shall not be Personal Data, if any such user chooses to use his/her name(s) in the created accounts within the controls product (e.g., firstname.lastname@address.com). HVAC Machine Data may be used by Trane: (a) to provide better support services and/or products to users of its products and services; (b) to assess compliance with Trane terms and conditions; (c) for statistical or other analysis of the collective characteristics and behaviors of product and services users; (d) to backup user and other data or information and/or provide remote support and/or restoration; (e) to provide or undertake: engineering analysis; failure analysis; warranty analysis; energy analysis; predictive analysis; service analysis; product usage analysis; and/or other desirable analysis, including, but not limited to, histories or trends of any of the foregoing; and (f) to otherwise understand and respond to the needs of users of the product or furnished service. "Personal Data" means data and/or information that is owned or controlled by Customer, and that names or identifies, or is about a natural person, such as: (i) data that is explicitly defined as a regulated category of data under any data privacy laws applicable to Customer; (ii) non-public personal information ("NPI") or personal information ("PI"), such as national identification number, passport number, social security number, social insurance number, or driver's license number; (iii) health or medical information, such as insurance information, medical prognosis, diagnosis information, or genetic information; (iv) financial information, such as a policy number, credit card number, and/or bank account number; (v) personally identifying technical information (whether transmitted or stored in cookies, devices, or otherwise), such as IP address, MAC address, device identifier, International Mobile Equipment Identifier ("IMEI"), or advertising identifier; (vi) biometric information; and/or (vii) sensitive personal data, such as, race, religion, marital status, disability, gender, sexual orientation, geolocation, or mother's maiden name.
  - "Security Incident" shall refer to (i) a compromise of any network, system, application or data in which Customer Data has been accessed or acquired by an unauthorized third party; (ii) any situation where Trane reasonably suspects that such compromise may have occurred; or (iii) any actual or reasonably suspected unauthorized or illegal Processing, loss, use, disclosure or acquisition of or access to any Customer Data.
  - "Services" shall have the meaning set forth in the Agreement.
2. **HVAC Machine Data: Access to Customer Extranet and Third Party Systems.** If Customer grants Trane access to HVAC Machine Data via web portals or other non-public websites or extranet services on Customer's or a third party's website or system (each, an "Extranet"), Trane will comply with the following:
  - a. **Accounts.** Trane will ensure that Trane's personnel use only the Extranet account(s) designated by Customer and will require Trane personnel to keep their access credentials confidential.
  - b. **Systems.** Trane will access the Extranet only through computing or processing systems or applications running operating systems managed by Trane that include: (i) system network firewalls; (ii) centralized patch management; (iii) operating system appropriate anti-malware software; and (iv) for portable devices, full disk encryption.
  - c. **Restrictions.** Unless otherwise approved by Customer in writing, Trane will not download, mirror or permanently store any HVAC Machine Data from any Extranet on any medium, including any machines, devices or servers.
  - d. **Account Termination.** Trane will terminate the account of each of Trane's personnel in accordance with Trane's standard practices after any specific Trane personnel who has been authorized to access any Extranet (1) no longer needs access to HVAC Machine Data or (2) no longer qualifies as Trane personnel (e.g., the individual leaves Trane's employment).
  - e. **Third Party Systems.** Trane will provide Customer prior notice before it uses any third party system that stores or may otherwise have access to HVAC Machine Data, unless (1) the data is encrypted and (2) the third party system will not have access to the decryption key or unencrypted "plain text" versions of the HVAC Machine Data.
3. **Customer Data: Confidentiality.** Trane shall keep confidential, and shall not access or use any Customer Data and information that is marked confidential or by its nature is considered confidential ("Customer Confidential Information") other than for the purpose of providing the Equipment and Services, and will disclose Customer Confidential Information only: (i) to Trane's employees and agents who have a need to know to perform the Services, (ii) as expressly permitted or instructed by Customer, or (iii) to the minimum extent required to comply with applicable law, provided that Trane (1) provides Customer with prompt written notice prior to any such disclosure, and (2) reasonably cooperate with Customer to limit or prevent such disclosure.
4. **Customer Data: Compliance with Laws.** Trane agrees to comply with laws, regulations governmental requirements and industry standards and practices relating to Trane's processing of Customer Confidential Information (collectively, "Laws").
5. **Customer Data: Information Security Management.** Trane agrees to establish and maintain an information security and privacy program, consistent with applicable HVAC equipment industry practices that complies with this Addendum and applicable Laws ("**Information Security Program**"). The Information Security Program shall include appropriate physical, technical and administrative safeguards, including any safeguards and controls agreed by the Parties in writing, sufficient to protect Customer systems, and Customer's Confidential Information from unauthorized access, destruction, use, modification or disclosure. The Information Security Program shall include appropriate, ongoing training and awareness programs designed to ensure that Trane's employees and agents, and others acting on Trane's, behalf are aware of and comply with the Information Security Program's policies, procedures, and protocols.
6. **Monitoring.** Trane shall monitor and, at regular intervals consistent with HVAC equipment industry practices, test and evaluate the effectiveness of its Information Security Program. Trane shall evaluate and promptly adjust its Information Security Program in light of the results of the testing and monitoring, any material changes to its operations or business arrangements, or any other facts or circumstances that Trane knows or reasonably should know may have a material impact on the security of Customer Confidential Information, Customer systems and Customer property.
7. **Audits.** Customer acknowledges and agrees that the Trane SOC2 audit report will be used to satisfy any and all audit/inspection requests/requirements by or on behalf of Customer. Trane will make its SOC2 audit report available to Customer upon request and with a signed nondisclosure agreement.
8. **Information Security Contact.** Trane's information security contact is Local Sales Office.
9. **Security Incident Management.** Trane shall notify Customer after the confirmation of a Security Incident that affects Customer Confidential Information, Customer systems and Customer property. The written notice shall summarize the nature and scope of the Security Incident and the corrective action already taken or planned.
10. **Threat and Vulnerability Management.** Trane regularly performs vulnerability scans and addresses detected vulnerabilities on a risk basis. Periodically, Trane engages third-parties to perform network vulnerability assessments and penetration testing. Vulnerabilities will be reported in accordance with Trane's cybersecurity vulnerability reported process. Trane periodically provides security updates and software upgrades.
11. **Security Training and Awareness.** New employees are required to complete security training as part of the new hire process and receive annual and targeted training (as needed and appropriate to their role) thereafter to help maintain compliance with Security Policies, as well as other corporate policies, such as the Trane Code of Conduct. This includes requiring Trane employees to annually re-acknowledge the Code of Conduct and other Trane policies as appropriate. Trane conducts periodic security awareness campaigns to educate personnel about their responsibilities and provide guidance to create and maintain a secure workplace.

12. Secure Disposal Policies. Trane will maintain policies, processes, and procedures regarding the disposal of tangible and intangible property containing Customer Confidential Information so that wherever possible, Customer Confidential Information cannot be practicably read or reconstructed.
13. Logical Access Controls. Trane employs internal monitoring and logging technology to help detect and prevent unauthorized access attempts to Trane's corporate networks and production systems. Trane's monitoring includes a review of changes affecting systems' handling authentication, authorization, and auditing, and privileged access to Trane production systems. Trane uses the principle of "least privilege" (meaning access denied unless specifically granted) for access to customer data.
14. Contingency Planning/Disaster Recovery. Trane will implement policies and procedures required to respond to an emergency or other occurrence (i.e. fire, vandalism, system failure, natural disaster) that could damage Customer Data or any system that contains Customer Data. Procedures include the following
  - (i) Data backups; and
  - (ii) Formal disaster recovery plan. Such disaster recovery plan is tested at least annually.
15. Return of Customer Data. If Trane is responsible for storing or receiving Customer Data, Trane shall, at Customer's sole discretion, deliver Customer Data to Customer in its preferred format within a commercially reasonable period of time following the expiration or earlier termination of the Agreement or, such earlier time as Customer requests, securely destroy or render unreadable or undecipherable each and every original and copy in every media of all Customer's Data in Trane's possession, custody or control no later than [90 days] after receipt of Customer's written instructions directing Trane to delete the Customer Data.
16. Background Checks Trane shall take reasonable steps to ensure the reliability of its employees or other personnel having access to the Customer Data, including the conducting of appropriate background and/or verification checks in accordance with Trane policies.
17. DISCLAIMER OF WARRANTIES. EXCEPT FOR ANY APPLICABLE WARRANTIES IN THE AGREEMENT, THE SERVICES ARE PROVIDED "AS IS", WITH ALL FAULTS, AND THE ENTIRE RISK AS TO SATISFACTORY QUALITY, PERFORMANCE, ACCURACY AND EFFORT AS TO SUCH SERVICES SHALL BE WITH CUSTOMER. TRANE DISCLAIMS ANY AND ALL OTHER EXPRESS OR IMPLIED REPRESENTATIONS AND WARRANTIES WITH RESPECT TO THE SERVICES AND THE SERVICES PROVIDED HEREUNDER, INCLUDING ANY EXPRESS OR IMPLIED WARRANTY OF MERCHANTABILITY, FITNESS FOR A PARTICULAR PURPOSE, OR THAT THE SERVICES WILL OPERATE ERROR-FREE OR UNINTERRUPTED OR RETURN/RESPONSE TO INQUIRIES WITHIN ANY SPECIFIC PERIOD OF TIME.

October 2024  
Supersedes: November 2023v2