



RightAngle™ Products / K & A Manufacturing, Inc.

Price List/ Spec Book

Effective January 15, 2017

Visit raproducts.com for RightAngle™, NewHeights™, and R-Style™ literature.

Ergonomic Product Orders:

- \$150 list or more ship freight free.
- \$10 shipping and handling charge applies to orders less than \$150 list.

NewHeights™ / R-Style™ Furniture Orders:

- \$5,000 list or more ship freight free.
- \$100 shipping and handling charge applies to orders between \$150 and \$5,000 list.
- \$10 shipping and handling charge applies to orders less than \$150 list.

Reference our Freight Policy for shipping rates.

Prices and product selections are subject to change without notice.

Updated: 04/5/2017



Furniture Types

SYSACC.....56%



**CAPITOL
BUSINESS
INTERIORS**

NewHeights™ Height Adjustable Workstations.....	6
NewHeights™ Technical Data.....	6
NewHeights™ Options.....	6
NewHeights™ Workstation Dimensions	7
NewHeights™ Elegante XT - Shapes	8
Elegante XT Motor Technical Data	8
Elegante XT - Electric Height Adjustable Bases.....	9
Adjustable Standard Base Only 2-Leg	9
Adjustable Caster Foot Base Only 2-Leg	10
Adjustable Base Only 3-Leg.....	11
Elegante XT - Standard Base with Worksurface.....	12
Rectangle - Shape A	12
Corner-Diagonal - Shape B.....	12
Corner-Radius - Shape C.....	12
Peninsula - Shape D	13
Bow Front - Shape E	13
2 Leg L - Shape F	14
3 Leg L - Shape G	15
3 Leg L with Seam - Shape H	15
Cockpit - Shape I	15
Cockpit with Seam - Shape J.....	16
Split Top - Shape K.....	16
Cross Support.....	16
Elegante XT Programmable Control Switch.....	16
Worksurface ONLY - Elegante XT.....	17
Rectangle - Shape A	17
Corner-Diagonal - Shape B.....	17
Corner-Radius - Shape C.....	17
Peninsula - Shape D	17
Bow Front - Shape E	18
2 Leg L - Shape F	18
3 Leg L - Shape G	19
3 Leg L with Seam - Shape H	19
Cockpit Shape I	19
Cockpit with Seam - Shape J.....	19
Split Top Shape K.....	20
Elegante XT - Radiology	20
Presidente.....	20
Elegante XT - Conference Tables.....	21
Conference Table Shapes	21
2 COLUMN Conference Table Base	21
4 COLUMN Conference Table Base	21
Base with Worksurface - Rectangle.....	21
Base with Worksurface - Boat	22
Base with Worksurface - Oval	22
Worksurface ONLY - Elegante XT Conference Table.....	23
Rectangle	23
Boat	23
Oval.....	24
NewHeights™ Eficiente LT Shapes	25
Eficiente LT - Electric Height Adjustable Bases.....	25
Standard Base Only 2-Leg	25
Caster Foot Base Only 2-Leg	26
Standard Base Only 3-Leg	27
Eficiente LT - Standard Base with Worksurface.....	28
Rectangle - Shape A	28
Corner Diagonal - Shape B.....	28
Corner Radius - Shape C.....	28
Peninsula - Shape D	29
Bow Front - Shape E	29
2 Leg L - Shape F	30
3 Leg - Shape G	31
3 Leg L with Seam - Shape H	31
Cockpit - Shape I	31
Cockpit with Seam - Shape J.....	31
Eficiente LT - Electric Height Adjustable U-Shape.....	32
Eficiente LT - Electric Height Adjustable Flip Marker Board.....	33

Press keys
"Ctrl" and "F"
to search

Press keys
"Ctrl" and "F"
to search

Efficiente LT - Technical Data.....	34
Bonita ET - Electric Height Adjustable Base and Worksurface.....	35
Levante - Counterbalance Height Adjustable Bases.....	37
Standard Base Only 2-Leg.....	37
Caster Foot Base Only 2-Leg.....	37
Levante - Standard Base with Worksurface.....	38
Rectangle - Shape A.....	38
Bow Front - Shape E.....	38
Levante - Counterbalance Conference Table.....	39
Conference Table Shapes.....	39
Base Only.....	39
Base with Worksurface - Rectangle.....	39
Base with Worksurface - Boat.....	39
Base with Worksurface - Oval.....	39
Worksurface ONLY - Levante Conference Table.....	40
NewHeights™ Vuelta Shapes.....	42
Standard Base Only 2-Leg.....	42
Vuelta - Crank Height Adjustable Bases.....	43
Caster Foot Base Only 2-Leg.....	43
Standard Base Only 3-Leg.....	44
Vuelta - Standard Base with Worksurface.....	45
Rectangle - Shape A.....	45
Peninsula - Shape D.....	45
Bow Front - Shape E.....	45
2 Leg L - Shape F.....	46
3 Leg L - Shape G.....	47
3 Leg L with Seam - Shape H.....	47
Cockpit - Shape I.....	48
Cockpit with Seam - Shape J.....	48
NewHeights™ Fixed Shapes.....	49
Fixed Height Bases.....	49
Standard Base Only 2-Leg.....	49
Caster Foot Base Only 2-Leg.....	50
Base Only 3-Leg.....	51
Fixed Height Base with Worksurface.....	52
Rectangle - Shape A.....	52
Corner-Diagonal - Shape B.....	52
Corner-Radius - Shape C.....	52
Peninsula - Shape D.....	53
Bow Front - Shape E.....	53
2 Leg L - Shape F.....	54
3 Leg L - Shape G.....	55
3 Leg L with Seam - Shape H.....	55
Cockpit - Shape I.....	55
Cockpit with Seam - Shape J.....	55
Fixed Height Conference Tables.....	56
Worksurface ONLY - Eficiente LT, Levante, Vuelta, Fixed, C-Series, Screw Height.....	57
Rectangle - Shape A.....	57
Corner Diagonal - Shape B.....	57
Corner Radius - Shape C.....	57
Peninsula - Shape D.....	57
Bow Front - Shape E.....	58
2 Leg L - Shape F.....	58
3 Leg L - Shape G.....	59
3 Leg L with Seam - Shape H.....	59
Cockpit - Shape I.....	59
Cockpit with Seam - Shape J.....	59
Arriba - Gas Lift Tables.....	60
Arriba Shapes.....	60
Base with Levelers.....	60
Base with Casters.....	60
Base with Omega Casters.....	60
Rectangle Shape A.....	61
Modified Rectangle Straight Front Shape B.....	61
Modified Rectangle Arc Front Shape C.....	61
D-Shape.....	61
Modified D-Shape E.....	61

Press keys
"Ctrl" and "F"
to search

Round Shape F	62
Bean Shape G	62
Modified Rectangle Straight Front Single Shape H.....	62
Modified Rectangle Straight Front Two-Tier Shape H.....	62
Gas Lift Table Options	62
VerSIT™ - Mobile Desk with Soft Casters.....	63
BASES (Black, Silver, White) with Thermally Fused Laminate Worksurfaces.....	63
BASE (Black, Silver, White) with Thermofoil Worksurface	63
Finishes.....	64
NewHeights™ Options.....	64
Power and Data Solutions.....	65
R-Style™ Office Furniture.....	66
Delta Workstation.....	68
C-Leg with Modesty Panel Workstations.....	69
BASE ONLY 2 Leg.....	69
Base with Worksurface - Rectangle.....	70
Base with Worksurface - Peninsula.....	71
Base with Worksurface - Bow Front	71
Base with Worksurface - 2- Leg.....	71
C-Leg with Adjustable Beam Workstations.....	72
BASE ONLY 2 Leg.....	72
Base with Worksurface - Rectangle.....	73
Base with Worksurface - Bow Front	73
Base with Worksurface - 2- Leg.....	74
C-Series Workstations Special Shapes	75
C-Series Plan Workstations	77
Screw Height Leg with Adjustable Beam Tables.....	79
BASE ONLY 2 Leg.....	79
Base with Worksurface - Rectangle.....	80
Base with Worksurface - Bow Front	80
Base with Worksurface - 2- Leg.....	81
F-Series Floating Leg Tables	82
Floating Base Only	82
Thermally Fused Floating Leg Table	82
Post Leg Tables	84
Post Leg Base Only.....	84
Thermally Fused Post Leg Table	84
T-Series T-Base Training Tables	86
T-Base Only.....	86
Thermally Fused T-Base Table.....	86
Worksurface ONLY - Floating, Post Leg and T-Series	87
Conference Tables Thermally Fused	89
HV-Series Hover™ Vertical Lift Workstations Thermally Fused	90
Flip Workstations	92
BASE ONLY	92
FLIP Table with casters - Thermally Fused	92
Worksurface ONLY - Flip Worksurface.....	93
FLIP Wire Management.....	93
FLIP Table Modesty Panel	93
Student FLIP Desk	93
Options and Accessories	94
Casters	94
T-Base and Floating (F-Series) Leg Modesty Panels	94
Upper Shelves.....	95
Wire Management.....	95
Pencil Drawers.....	96
Mobile and Stationary Pedestals.....	96
Worksurface Power and Data Solutions.....	96
Mobile and Stationary Pedestals.....	97
Power and Data Solutions	97
Finishes.....	99
R-Style™ Workstation Dimensions	99

Press keys
"Ctrl" and "F"
to search

RightAngle™ Ergonomic Products	100
Hover™ Helium	100
Monitor Solutions	100
Platform	101
Helium Jr.....	102
Hover™ Series 2 Monitor Arms (spring or standard arm available).....	103
Post Mount for One Monitor	103
Post Mount for Two Monitors	104
Post Mount for Three Monitors	106
Post Mount for Four Monitors.....	106
Rail Mount for One Monitor	106
Rail Mount with One Rail and Two Posts	107
Rail Mount with Two Rails and Two Posts	107
Rail Wire Management (Horizontal)	108
Spring Mount for One Monitor with 0 Extensions	108
Spring Mount for One Monitor with One Extension	108
Spring Mount for One Monitor with Two Extensions	108
Vertical Wall Mount Rail.....	109
Wall Mount for One Monitor.....	109
Wall Mount Spring Arm for One Monitor.....	109
Media Series - Large Screen Mount	110
Hover WM - Monitor Arm Systems	111
Workstation Platform.....	111
Standard.....	111
Slim Workstation	111
Track Cradle.....	111
Enclosed CPU Track Mount	111
Extension Arm	111
Steel Pivot Limiter	111
Myriad™ Keyboard with Mouse and Articulating Arm Systems.....	112
Myriad™ Junior Tray (Value Series) Workstations	117
245E Keyboard (Economy Series) Workstations	120
Tray Accessories	122
Palm Support.....	122
FastAction Arm.....	122
Lever Lock - Value Swivel Arm.....	122
Laptop / Notebook Tray and Docking Station Drawer	123
Pencil Drawers and Accessories	124
Keyboard Drawers	125
CPU Holders	126
Specialty Items and Options	128
Create-a-Corner.....	128
Flipt	128
Seating	129
Charlie Chairs	129
Alpha Chairs.....	129
Ergonomic Floor Mats.....	129
RightAngle™ Healthcare	130
VerSIT™ - Mobile Desk with Soft Casters.....	130
Bases (Black, Silver, White) with Thermally Fused Laminate Worksurfaces	130
BASE (Black, Silver, White) with Thermofoil Worksurface	130
VerSIT Options	130
Arriba - Gas Lift Tables.....	131
BASES with Thermally Fused Laminate Worksurfaces.....	131
BASE with Thermofoil Worksurface (White).....	131
Gas Lift Table Options	131
Adjustable height between the two-tier worksurface: 1-1/4" to 1-7/8"	131
Hover WM - Monitor Arm Systems	132
Workstation Platform.....	132
Standard.....	132
Slim Workstation	132
Track Cradle.....	132
Enclosed CPU Track Mount	132
Extension Arm	132
Steel Pivot Limiter	132
Wall Mount Value System	133

NewHeights™ Technical Data

Bring your day to NewHeights™ with our height adjustable workstations. Our sit-to-stand workstations increase circulation, comfort and productivity. They are perfect for shared workstations and assist in meeting ADA requirements.

Call centers, offices, schools, hospitals and libraries are ideal applications for these workstations. We will also retrofit them to existing worksurfaces.

Available in electric, crank, gas and fixed height

- Electric base adjusts quickly and quietly with the gentle push of a button.
- Gas lift base, with a paddle lever, adjusts instantly for lighter applications.
- Crank height units are the solution when an affordable sit-to-stand workstation is required.
- Fixed height units are perfect when a specific height is needed.

Base with Split Worksurface

- Allows for even more adjustability. Computer monitor and keyboard height adjust independently.
- Split worksurface mechanism may be purchased separately.

Made from recycled materials, no VOC's

Designed and manufactured in the U.S.A. by a U.S. company



Elegante XT & Eficiente LT
Standard Switch



Optional Upgrade (#53729)
Programmable Four-Position Switch

NewHeights™ QuickShip Finish Options



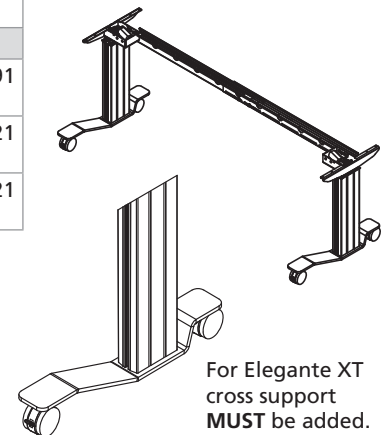
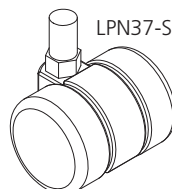
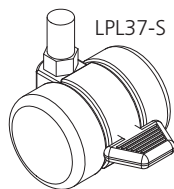
Note: When ordering NewHeights™, please add finish to end of model number.

Example: NXTAAS243624SCH (Workstation with Silver Base and Cherry Top)

See finishes page for additional laminate surface colors with a 2-4 week lead time.

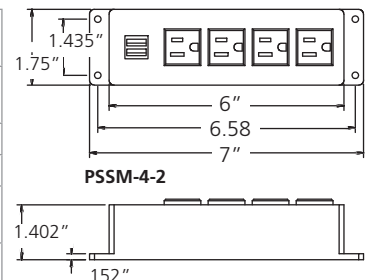
NewHeights™ Options

Model #	Description	List Price
Programmable Control Switch		
53729	TouchFX Fixed Mount Programmable 4 Position Handswitch (switch only)	\$179
Table # - 53729	TouchFX Fixed Mount Programmable 4 Position Handswitch Upgrade (add to list price of table)	\$141
51731	Previous Model Four Position Programmable Control Switch for use with Elegante XT (switch only)	\$148
Table # - 51731	Previous Model Four Position Programmable Control Switch Upgrade for use with Elegante XT (add to list price of table)	\$110
Elegante XT Caster Foot		
Table # - C	Caster Foot for 24" and 30" Deep Workstation (per column) must be ordered with table. For Elegante XT cross support MUST be added.	\$91
LPL37-S	Add On Locking Caster-Low Profile (soft surface) raises approx. 1.875" does not roll as well as Table#-C (\$/ea)	\$21
LPN37-S	Add On Non-Locking Caster-Low Profile (soft surface) raises approx. 1.875" does not roll as well as Table#-C (\$/ea)	\$21



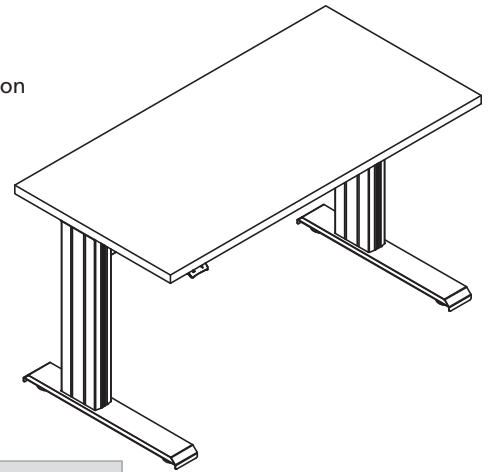
For Elegante XT cross support **MUST** be added.

FCM490	Flex Cable Management (vertical) for height adjustable table has 22 links, 1250mm	\$72
Table # - 36NHF	36" foot for NewHeights Elegante XT, Eficiente LT & Fixed Table (excludes caster feet)	\$91
Grommet Hole	Grommet Hole Option 2.37" (price per grommet hole)	\$16
Grommet Insert	Grommet Insert Option 2.375" (price per grommet insert)	\$16
PSRF-USB-2	Pop up Power Receptacle-Flush Mount-Direct Plug with Two power outlets, Two USB chargers and 10 ft. cord	\$233
PSRF-USB	Pop up Power Receptacle-Flush Mount-Perimeter Plug w/2 power outlets, 2 USB chargers and 10 ft cord	\$262
PSSM-4-2	Power Receptacle-Surface Mount-Direct Plug includes 4 power outlets, 2 USB chargers and 10 ft. cord, 120V ~60HZ 12A	\$37

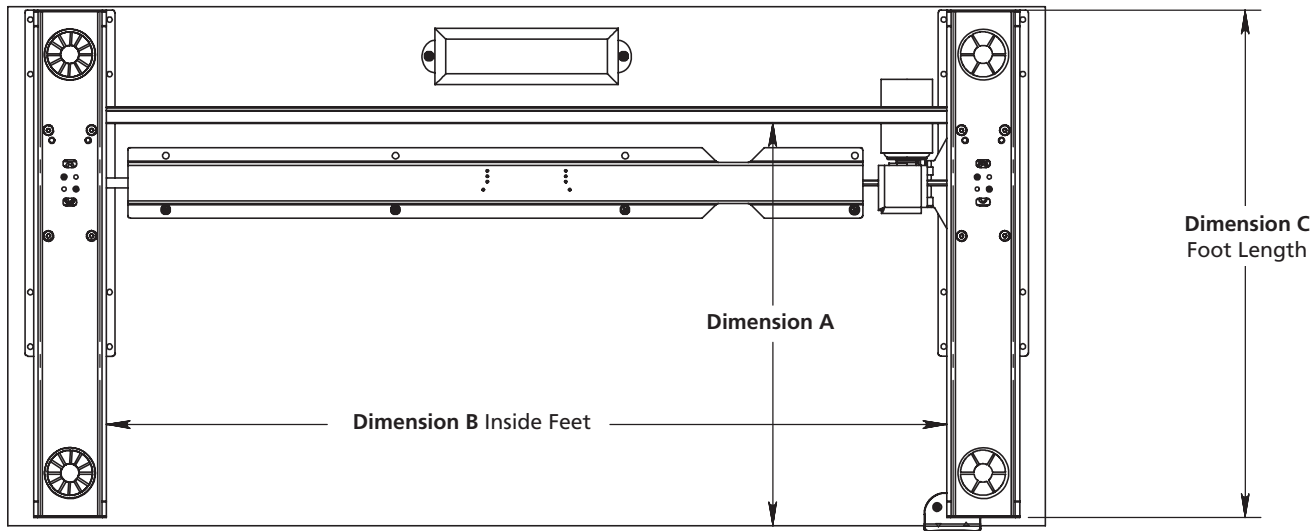


NewHeights™ Workstation Dimensions

These dimensions apply to all Series 4 table products. The exception is the Elegante XT workstation when it has no cross support (standard). In that case, it has full clearance on dimension A.



Series 4 NewHeights Workstation Dimensions			
Workstation Size	Dimension A	Dimension B	Dimension C
24 x 36	18-3/8"	26"	23-7/16"
24 x 48	18-3/8"	38"	23-7/16"
24 x 60	18-3/8"	50"	23-7/16"
24 x 72	18-3/8"	62"	23-7/16"
30 x 36	21-1/2"	26"	29-7/16"
30 x 48	21-1/2"	38"	29-7/16"
30 x 60	21-1/2"	50"	29-7/16"
30 x 72	21-1/2"	62"	29-7/16"



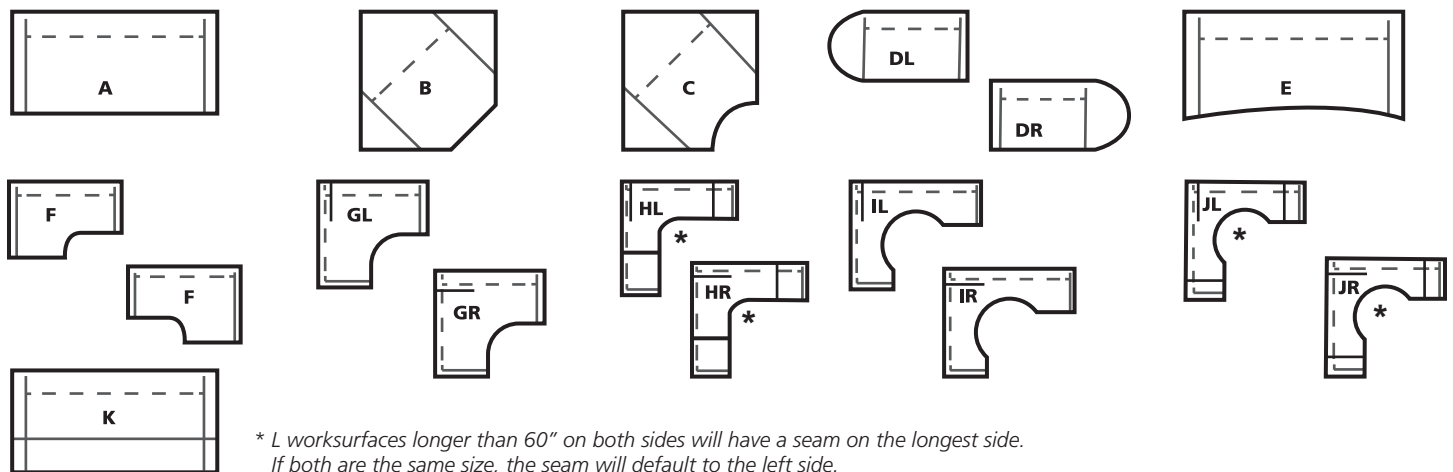
Elegante XT - Electric Height Adjustable Bases

Push button control for effortless height adjustment and expanded height range.

- Height Range: 24" - 51" H, programmable height.
- Optional crossbar available.
- Total Lifting Capacity Base Only: 325 pounds 2-leg, 450 pounds 3-leg.
- Height Adjustment: 1.5 inches per second.
- Under Desk Clearance: 22.875" low to 49.875" high.
- Mounting clearance (depth) for under desk accessories: 24" workstation is 17" — 30" workstation is 20"
- Standard adjustable wire management.
- Available with worksurface or base only.
- Bases available for 24" and 30" deep worksurfaces.
- Power cord is 10 feet long.
- Custom sizes available.
- Base Color: black or silver.
- Worksurface: ten standard thermally-fused options, high-pressure laminate and custom colors available.
- UL Approved - UL STD 962

NewHeights™ Elegante XT - Shapes *Sizes can be adjusted to fit your needs.*

- A** Rectangle
- B** Corner-Diagonal
- C** Corner-Radius
- D** Peninsula, left and right radius
- E** Bow Front
- F** 2-Leg L
- G** 3-Leg L, left and right
- H** 3-Leg L Seam*, left and right
- I** Cockpit, left and right
- J** Cockpit Seam*, left and right
- K** Split top



Elegante XT Motor Technical Data	
Motor	DC Motor 24 V
Sensor/feed in	Hall/5 V DC/0, 3A
Type of protection	IP30
Duty cycle	20% (at 5 min.)
Idle running speed	120 rpm (24 V) 120 rpm.
Input	inside hex 6 mm
Max. input torque	5 Nm
Smart-e-2 Normal Cycle 2/18:	
2min move:	4A@32V 128W
Pause:	18min
COMPACT-e-3 Normal Cycle 2/18:	
2min move:	7A@33V 231W
Pause:	18min

Click below to open switch and control box manuals

[Programmable Switch](#)

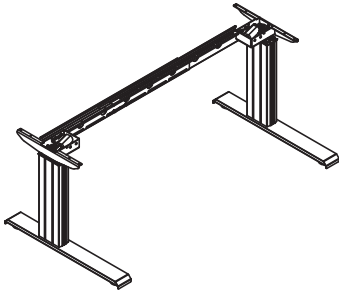
[Two Button Switch](#)

[Control Box - for Elegante XT 3+ columns](#)

[Control Box - for Elegante XT 2 columns](#)

[Cascading control boxes \(4 column conference and benching workstations\)](#)

Elegante XT - Electric Height Adjustable Bases



Model #	Description	List Price
Adjustable Standard Base Only 2-Leg (same leg sizes)		
NXTBS243024	Elegante Std Base 24" x 30" to 47.99" (adjustable) x 24"	\$2,228
NXTBS244824	Elegante Std Base 24" x 48" to 72" (adjustable) x 24"	\$2,277
NXTBS247324	Elegante Std Base 24" x 73" to 96" (adjustable) x 24"	\$2,370
NXTBS303030	Elegante Std Base 30" x 30" to 47.99" (adjustable) x 30"	\$2,255
NXTBS304830	Elegante Std Base 30" x 48" to 72" (adjustable) x 30"	\$2,304
NXTBS307330	Elegante Std Base 30" x 73" to 96" (adjustable) x 30"	\$2,397
NXTBS363036	Elegante Std Base 36" x 30" to 47.99" (adjustable) x 36"	\$2,431
Adjustable Standard Base Only 2-Leg (different leg sizes)		
NXTBS243030	Elegante Std Base 24" x 30" to 47.99" (adjustable) x 30"	\$2,255
NXTBS243036	Elegante Std Base 24" x 30" to 47.99" (adjustable) x 36"	\$2,316
NXTBS303024	Elegante Std Base 30" x 30" to 47.99" (adjustable) x 24"	\$2,255
NXTBS303036	Elegante Std Base 30" x 30" to 47.99" (adjustable) x 36"	\$2,343
NXTBS363024	Elegante Std Base 36" x 30" to 47.99" (adjustable) x 24"	\$2,316
NXTBS363030	Elegante Std Base 36" x 30" to 47.99" (adjustable) x 30"	\$2,343
NXTBS244830	Elegante Std Base 24" x 48" to 72" (adjustable) x 30"	\$2,304
NXTBS244836	Elegante Std Base 24" x 48" to 72" (adjustable) x 36"	\$2,365
NXTBS304824	Elegante Std Base 30" x 48" to 72" (adjustable) x 24"	\$2,304
NXTBS304836	Elegante Std Base 30" x 48" to 72" (adjustable) x 36"	\$2,392
NXTBS364824	Elegante Std Base 36" x 48" to 72" (adjustable) x 24"	\$2,365
NXTBS364830	Elegante Std Base 36" x 48" to 72" (adjustable) x 30"	\$2,392

Elegante XT - Electric Height Adjustable Bases

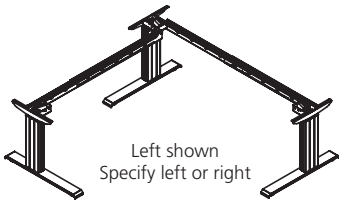
Cross support MUST be added with Caster Foot Base

Model #	Description	List Price
Adjustable Caster Foot Base Only 2-Leg (same leg sizes)		
NXTBC243024	Elegante Caster Foot Base 24" x 30" to 47.99" (adjustable) x 24"	\$2,410
NXTBC244824	Elegante Caster Foot Base 24" x 48" to 72" (adjustable) x 24"	\$2,459
NXTBC247324	Elegante Caster Foot Base 24" x 73" to 96" (adjustable) x 24"	\$2,552
NXTBC303030	Elegante Caster Foot Base 30" x 30" to 47.99" (adjustable) x 30"	\$2,437
NXTBC304830	Elegante Caster Foot Base 30" x 48" to 72" (adjustable) x 30"	\$2,486
NXTBC307330	Elegante Caster Foot Base 30" x 73" to 96" (adjustable) x 30"	\$2,579

Adjustable Caster Foot Base Only 2-Leg (different leg sizes)		
NXTBC243030	Elegante Caster Foot Base 24" x 30" to 47.99" (adjustable) x 30"	\$2,437
NXTBC303024	Elegante Caster Foot Base 30" x 30" to 47.99" (adjustable) x 24"	\$2,437
NXTBC244830	Elegante Caster Foot Base 24" x 48" to 72" (adjustable) x 30"	\$2,486
NXTBC304824	Elegante Caster Foot Base 30" x 48" to 72" (adjustable) x 24"	\$2,486


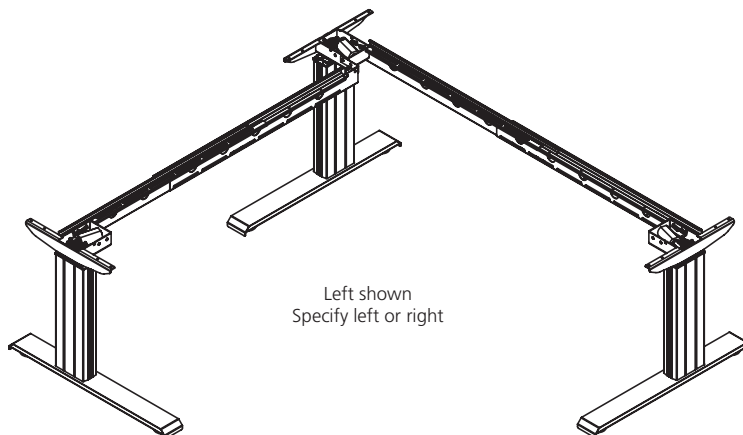
Elegante XT (NXT) Cross Support - MUST be added with caster feet		
NXTX30	30" XT Cross Support/Hardware Pack	\$86
NXTX36	36" XT Cross Support/Hardware Pack	\$96
NXTX42	42" XT Cross Support/Hardware Pack	\$120
NXTX48	48" XT Cross Support/Hardware Pack	\$134
NXTX60	60" XT Cross Support/Hardware Pack	\$170
NXTX72	72" XT Cross Support/Hardware Pack	\$207
NXTXR48	48" XT Return Cross Support/Bracket Hardware	\$130
NXTXR58	58" XT Return Cross Support/Bracket Hardware	\$170
NXTXR60	60" XT Return Cross Support/Bracket Hardware	\$170
NXTXR70	70" XT Return Cross Support/Bracket Hardware	\$207
NXTXR72	72" XT Return Cross Support/Bracket Hardware	\$207

Elegante XT - Electric Height Adjustable Bases

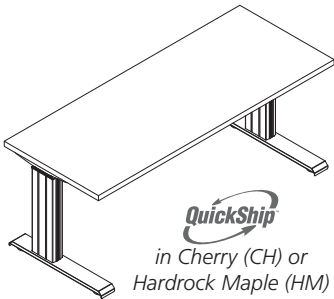


Model #	Description	List Price
Adjustable Standard Base Only 3-Leg Left		
NXTBLLS24364824	Elegante Std Base L Shape LH Std Foot 24"x36"to51.99"(return-adjustable)x48"to72"(adjustable)x24"	\$3,324
NXTBLLS30364830	Elegante Std Base L Shape LH Std Foot 30"x36"to51.99"(return-adjustable)x48"to72"(adjustable)x30"	\$3,366
NXTBLLS24524824	Elegante Std Base L Shape LH Std Foot 24"x52"to72"(return-adjustable)x48"to72"(adjustable)x24"	\$3,390
NXTBLLS30524830	Elegante Std Base L Shape LH Std Foot 30"x52"to72"(return-adjustable)x48"to72"(adjustable)x30"	\$3,479
NXTBLLS24777324	Elegante Std Base L Shape LH Std Foot 24"x77"to96"(return-adjustable)x73"to96"(adjustable)x24"	\$3,522
NXTBLLS30777330	Elegante Std Base L Shape LH Std Foot 30"x77"to96"(return-adjustable)x73"to96"(adjustable)x30"	\$3,522
Adjustable Standard Base Only 3-Leg Right		
NXTBLRS24483624	Elegante Std Base L Shape RH Std Foot 24"x48"to72"(adjustable)x36"to51.99"(return-adjustable)x24"	\$3,324
NXTBLRS30483630	Elegante Std Base L Shape RH Std Foot 30"x48"to72"(adjustable)x36"to51.99"(return-adjustable)x30"	\$3,366
NXTBLRS24485224	Elegante Std Base L Shape RH Std Foot 24"x48"to72"(adjustable)x52"to72"(return-adjustable)x24"	\$3,390
NXTBLRS30485230	Elegante Std Base L Shape RH Std Foot 30"x48"to72"(adjustable)x52"to72"(return-adjustable)x30"	\$3,479
NXTBLRS24737724	Elegante Std Base L Shape RH Std Foot 24"x73"to96"(adjustable)x77"to96"(return-adjustable)x24"	\$3,522
NXTBLRS30737730	Elegante Std Base L Shape RH Std Foot 30"x73"to96"(adjustable)x77"to96"(return-adjustable)x30"	\$3,522

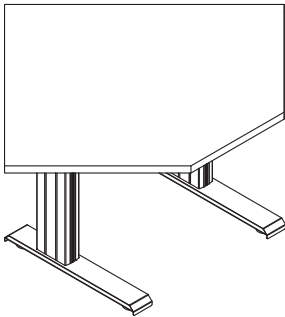
Table # _C - Caster Foot for 24" and 30" deep workstation (per column), must be ordered with table. For Elegante XT cross support **MUST** be added. = \$91

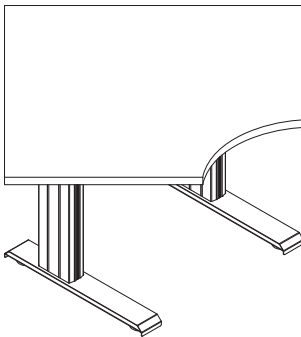
Elegante XT - Standard Base with Worksurface



Assembly #	Description	Base #	Worksurface #	List Price
Elegante XT (NXT) Standard Base with Worksurface - Rectangle Shape A				
NXTAAS243624	Std with Worksurface 24"x36"x24"	NXTBS243024	WS2A243624	\$2,398
NXTAAS244824	Std with Worksurface 24"x48"x24"	NXTBS244824	WS2A244824	\$2,496
NXTAAS246024	Std with Worksurface 24"x60"x24"	NXTBS244824	WS2A246024	\$2,573
NXTAAS247224	Std with Worksurface 24"x72"x24"	NXTBS244824	WS2A247224	\$2,595
NXTAAS303630	Std with Worksurface 30"x36"x30"	NXTBS303030	WS2A303630	\$2,438
NXTAAS304830	Std with Worksurface 30"x48"x30"	NXTBS304830	WS2A304830	\$2,539
NXTAAS306030	Std with Worksurface 30"x60"x30"	NXTBS304830	WS2A306030	\$2,626
NXTAAS307230	Std with Worksurface 30"x72"x30"	NXTBS304830	WS2A307230	\$2,643



Elegante XT (NXT) Standard Base with Worksurface - Diagonal Shape B				
NXTABS24363624	Std with Worksurface 24x36x36x24	NXTBS243024	WS2B24363624	\$2,514
NXTABS24424224	Std with Worksurface 24x42x42x24	NXTBS243024	WS2B24424224	\$2,599
NXTABS24484824	Std with Worksurface 24x48x48x24	NXTBS303030	WS2B24484824	\$2,644
NXTABS30363630	Std with Worksurface 30x36x36x30	NXTBS243024	WS2B30363630	\$2,516
NXTABS30424230	Std with Worksurface 30x42x42x30	NXTBS243024	WS2B30424230	\$2,600
NXTABS30484830	Std with Worksurface 30x48x48x30	NXTBS303030	WS2B30484830	\$2,646



Elegante XT (NXT) Standard Base with Worksurface - Radius Shape C				
NXTACS24363624	Std with Worksurface 24x36x36x24	NXTBS243024	WS2C24363624	\$2,521
NXTACS24484824	Std with Worksurface 24x48x48x24	NXTBS303030	WS2C24484824	\$2,643
NXTACS30424230	Std with Worksurface 30x42x42x30	NXTBS243024	WS2C30424230	\$2,606
NXTACS30484830	Std with Worksurface 30x48x48x30	NXTBS303030	WS2C30484830	\$2,648

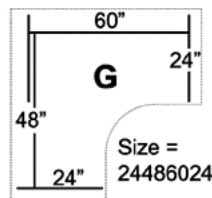
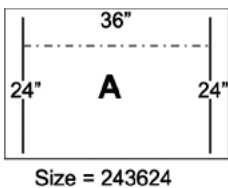


Table # _C - Caster Foot for 24" and 30" deep workstation (per column), must be ordered with table. For Elegante XT cross support **MUST** be added. = \$91



NewHeights™ Finish Options

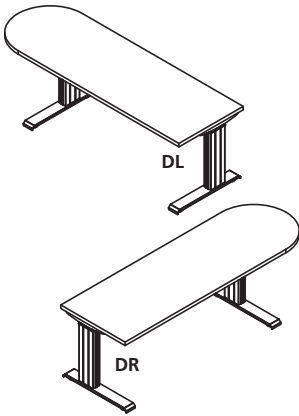


Note: When ordering NewHeights™, please add finish to end of model number.

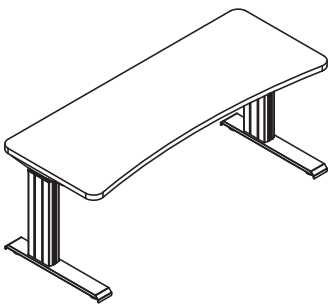
Workstation with: Silver Base and Cherry Top Example: NXTAAS243624SCH

See finishes page for additional laminate surface colors with a 2-4 week lead time.

Elegante XT - Standard Base with Worksurface



Assembly #	Description	Base #	Worksurface #	List Price
Eficiente LT (NLT) Standard Base with Worksurface - Peninsula Shape D				
NXTADLS306030	Std with Worksurface Left Radius 30"x60"x30"	NXTBS304830	WS2DL306030	\$2,660
NXTADLS307230	Std with Worksurface Left Radius 30"x72"x30"	NXTBS304830	WS2DL307230	\$2,683
NXTADRS306030	Std with Worksurface Right Radius 30"x60"x30"	NXTBS304830	WS2DR306030	\$2,660
NXTADRS307230	Std with Worksurface Right Radius 30"x72"x30"	NXTBS304830	WS2DR307230	\$2,683



Elegante XT (NXT) Standard Base with Worksurface - Bow Front Shape E				
NXTAES243624R	Std with Worksurface 24x36x24	NXTBS243024	WS2E243624R	\$2,431
NXTAES244824R	Std with Worksurface 24x48x24	NXTBS244824	WS2E244824R	\$2,536
NXTAES246024R	Std with Worksurface 24x60x24	NXTBS244824	WS2E246024R	\$2,621
NXTAES247224R	Std with Worksurface 24x72x24	NXTBS244824	WS2E247224R	\$2,649
NXTAES303630R	Std with Worksurface 30x36x30	NXTBS303030	WS2E303630R	\$2,475
NXTAES304830R	Std with Worksurface 30x48x30	NXTBS304830	WS2E304830R	\$2,583
NXTAES306030R	Std with Worksurface 30x60x30	NXTBS304830	WS2E306030R	\$2,677
NXTAES307230R	Std with Worksurface 30x72x30	NXTBS304830	WS2E307230R	\$2,700

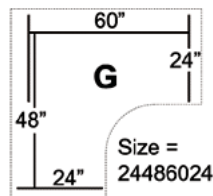
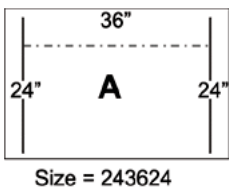


Table # _C - Caster Foot for 24" and 30" deep workstation (per column), must be ordered with table. For Elegante XT cross support MUST be added. = \$91



NewHeights™ Finish Options

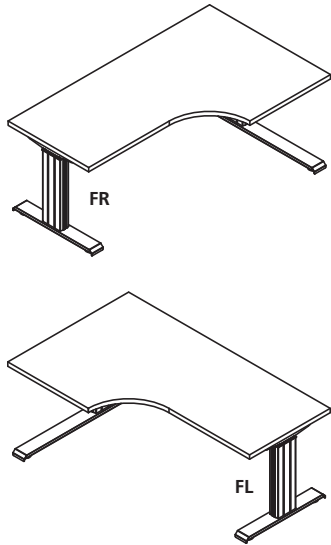


Note: When ordering NewHeights™, please add finish to end of model number.

Workstation with: Silver Base and Cherry Top Example: NXTAAS243624SCH

See finishes page for additional laminate surface colors with a 2-4 week lead time.

Elegante XT - Standard Base with Worksurface



Assembly #	Description	Base #	Worksurface #	List Price
Elegante XT (NXT) Standard Base with Worksurface - 2 Leg L Shape F				
NXTAFS24364824	Std Base w/Worksurface 24x36x48x24	NXTBS364824	WS2F24364824	\$2,895
NXTAFS24366024	Std Base w/Worksurface 24x36x60x24	NXTBS364824	WS2F24366024	\$3,077
NXTAFS24367224	Std Base w/Worksurface 24x36x72x24	NXTBS364824	WS2F24367224	\$3,147
NXTAFS24424824	Std Base w/Worksurface 24x42x48x24	NXTBS364824	WS2F24424824	\$2,931
NXTAFS24426024	Std Base w/Worksurface 24x42x60x24	NXTBS364824	WS2F24426024	\$3,120
NXTAFS24427224	Std Base w/Worksurface 24x42x72x24	NXTBS364824	WS2F24427224	\$3,198
NXTAFS24483624	Std Base w/Worksurface 24x48x36x24	NXTBS244836	WS2F24483624	\$2,895
NXTAFS24484224	Std Base w/Worksurface 24x48x42x24	NXTBS244836	WS2F24484224	\$2,931
NXTAFS24603624	Std Base w/Worksurface 24x60x36x24	NXTBS244836	WS2F24603624	\$3,077
NXTAFS24604224	Std Base w/Worksurface 24x60x42x24	NXTBS244836	WS2F24604224	\$3,120
NXTAFS24723624	Std Base w/Worksurface 24x72x36x24	NXTBS244836	WS2F24723624	\$3,147
NXTAFS24724224	Std Base w/Worksurface 24x72x42x24	NXTBS244836	WS2F24724224	\$3,198
NXTAFS30426030	Std Base w/Worksurface 30x42x60x30	NXTBS364830	WS2F30426030	\$3,143
NXTAFS30427230	Std Base w/Worksurface 30x42x72x30	NXTBS364830	WS2F30427230	\$3,222
NXTAFS30604230	Std Base w/Worksurface 30x60x42x30	NXTBS304836	WS2F30604230	\$3,143
NXTAFS30724230	Std Base w/Worksurface 30x72x42x30	NXTBS304836	WS2F30724230	\$3,222
NXTAFS24426030	Std Base w/Worksurface 24x42x60x30	NXTBS364830	WS2F24426030	\$3,145
NXTAFS24427230	Std Base w/Worksurface 24x42x72x30	NXTBS364830	WS2F24427230	\$3,223
NXTAFS24603630	Std Base w/Worksurface 24x60x36x30	NXTBS244836	WS2F24603630	\$3,075
NXTAFS24604230	Std Base w/Worksurface 24x60x42x30	NXTBS244836	WS2F24604230	\$3,118
NXTAFS24723630	Std Base w/Worksurface 24x72x36x30	NXTBS244836	WS2F24723630	\$3,145
NXTAFS24724230	Std Base w/Worksurface 24x72x42x30	NXTBS244836	WS2F24724230	\$3,196
NXTAFS30366024	Std Base w/Worksurface 30x36x60x24	NXTBS364824	WS2F30366024	\$3,075
NXTAFS30367224	Std Base w/Worksurface 30x36x72x24	NXTBS364824	WS2F30367224	\$3,145
NXTAFS30426024	Std Base w/Worksurface 30x42x60x24	NXTBS364824	WS2F30426024	\$3,118
NXTAFS30427224	Std Base w/Worksurface 30x42x72x24	NXTBS364824	WS2F30427224	\$3,196
NXTAFS30604224	Std Base w/Worksurface 30x60x42x24	NXTBS304836	WS2F30604224	\$3,145
NXTAFS30724224	Std Base w/Worksurface 30x72x42x24	NXTBS304836	WS2F30724224	\$3,223

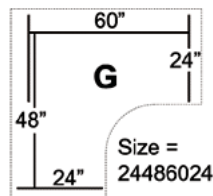
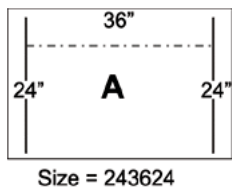


Table # _C - Caster Foot for 24" and 30" deep workstation (per column), must be ordered with table. For Elegante XT cross support **MUST** be added. = \$91



NewHeights™ Finish Options

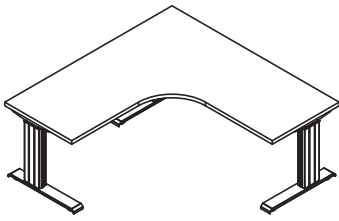


Note: When ordering NewHeights™, please add finish to end of model number.

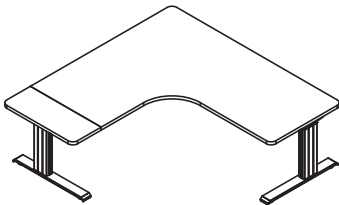
Workstation with: Silver Base and Cherry Top Example: NXTAAS243624SCH

See finishes page for additional laminate surface colors with a 2-4 week lead time.

Elegante XT - Standard Base with Worksurface

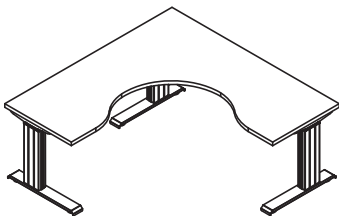


Assembly #	Description	Base #	Worksurface #	List Price
Elegante XT (NXT) Standard Base with Worksurface - 3 Leg L Shape G				
NXTAGS24486024	Std Base w/Worksurface 24x48x60x24	NXTBLLS24364824	WS2G24486024	\$4,124
NXTAGS24487224	Std Base w/Worksurface 24x48x72x24	NXTBLLS24364824	WS2G24487224	\$4,208
NXTAGS24604824	Std Base w/Worksurface 24x60x48x24	NXTBLLS24524824	WS2G24604824	\$4,190
NXTAGS24606024	Std Base w/Worksurface 24x60x60x24	NXTBLLS24524824	WS2G24606024	\$4,292
NXTAGS24607224	Std Base w/Worksurface 24x60x72x24	NXTBLLS24524824	WS2G24607224	\$4,394
NXTAGS24724824	Std Base w/Worksurface 24x72x48x24	NXTBLLS24524824	WS2G24724824	\$4,274
NXTAGS24726024	Std Base w/Worksurface 24x72x60x24	NXTBLLS24524824	WS2G24726024	\$4,394
NXTAGS30486030	Std Base w/Worksurface 30x48x60x30	NXTBLLS30364830	WS2G30486030	\$4,162
NXTAGS30487230	Std Base w/Worksurface 30x48x72x30	NXTBLLS30364830	WS2G30487230	\$4,247
NXTAGS30604830	Std Base w/Worksurface 30x60x48x30	NXTBLLS30524830	WS2G30604830	\$4,275
NXTAGS30606030	Std Base w/Worksurface 30x60x60x30	NXTBLLS30524830	WS2G30606030	\$4,378
NXTAGS30607230	Std Base w/Worksurface 30x60x72x30	NXTBLLS30524830	WS2G30607230	\$4,480
NXTAGS30724830	Std Base w/Worksurface 30x72x48x30	NXTBLLS30524830	WS2G30724830	\$4,360
NXTAGS30726030	Std Base w/Worksurface 30x72x60x30	NXTBLLS30524830	WS2G30726030	\$4,480



Elegante XT (NXT) Standard Base with Worksurface - 3 Leg L with Seam Shape H				
NXTAHS24727224	Std Base w/Worksurface 24x72x72x24	NXTBLLS24524824	WS2H24727224	\$4,603
NXTAHS30727230	Std Base w/Worksurface 30x72x72x30	NXTBLLS30524830	WS2H30727230	\$4,694

* L worksurfaces longer than 60" on both sides will have a seam on the longest side. If both are the same size, the seam will default to the left side.



Elegante XT (NXT) StandaBase with Worksurface - Cockpit Shape I				
NXTAIS24606024	Std Base w/Worksurface 24x60x60x24	NXTBLLS24524824	WS2I24606024	\$4,301
NXTAIS24607224	Std Base w/Worksurface 24x60x72x24	NXTBLLS24524824	WS2I24607224	\$4,404
NXTAIS24726024	Std Base w/Worksurface 24x72x60x24	NXTBLLS24524824	WS2I24726024	\$4,404
NXTAIS30606030	Std Base w/Worksurface 30x60x60x30	NXTBLLS30524830	WS2I30606030	\$4,387
NXTAIS30607230	Std Base w/Worksurface 30x60x72x30	NXTBLLS30524830	WS2I30607230	\$4,489
NXTAIS30726030	Std Base w/Worksurface 30x72x60x30	NXTBLLS30524830	WS2I30726030	\$4,489

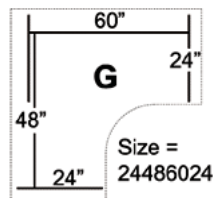
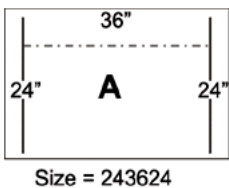


Table # _C - Caster Foot for 24" and 30" deep workstation (per column), must be ordered with table. For Elegante XT cross support **MUST** be added. = \$91



NewHeights™ Finish Options

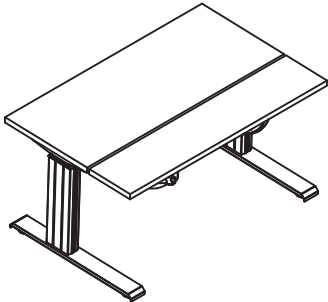
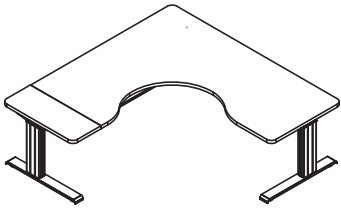


Note: When ordering NewHeights™, please add finish to end of model number.

Workstation with: Silver Base and Cherry Top Example: NXTAAS243624SCH

See finishes page for additional laminate surface colors with a 2-4 week lead time.

Elegante XT - Standard Base with Worksurface



Assembly #	Description	Base #	Worksurface #	List Price
Elegante XT (NXT) Standard Base with Worksurface - Cockpit with Seam Shape J				
NXTAJS24727224	Std Base w/Worksurface 24x72x72x24	NXTBLLS24524824	WS2J24727224	\$4,612
NXTAJS30727230	Std Base w/Worksurface 30x72x72x30	NXTBLLS30524830	WS2J30727230	\$4,703

* L worksurfaces longer than 60" on both sides will have a seam on the longest side. If both are the same size, the seam will default to the left side.

Elegante XT (NXT) Standard Base with Worksurface - Split Top Shape K (includes 301SW Split Mechanism)				
NXTAKS304830	Std Base w/Worksurface 30"x48"x30"	NXTBS304830	WS2K304830	\$3,142
NXTAKS306030	Std Base w/Worksurface 30"x60"x30"	NXTBS304830	WS2K306030	\$3,240
NXTAKS307230	Std Base w/Worksurface 30"x72"x30"	NXTBS304830	WS2K307230	\$3,267

Split Worksurface Mechanism		
301SW	Split Worksurface Mechanism	\$561

Elegante XT (NXT) Cross Support - MUST be added with caster feet		
NXTX30	30" XT Cross Support/Hardware Pack	\$86
NXTX36	36" XT Cross Support/Hardware Pack	\$96
NXTX42	42" XT Cross Support/Hardware Pack	\$120
NXTX48	48" XT Cross Support/Hardware Pack	\$134
NXTX60	60" XT Cross Support/Hardware Pack	\$170
NXTX72	72" XT Cross Support/Hardware Pack	\$207
NXTXR48	48" XT Return Cross Support/Bracket Hardware	\$130
NXTXR58	58" XT Return Cross Support/Bracket Hardware	\$170
NXTXR60	60" XT Return Cross Support/Bracket Hardware	\$170
NXTXR70	70" XT Return Cross Support/Bracket Hardware	\$207
NXTXR72	72" XT Return Cross Support/Bracket Hardware	\$207



Optional Upgrade (#53729)
Programmable Four-Position Switch

Elegante XT Programmable Control Switch		
53729	TouchFX Fixed Mount Programmable 4 Position Handswitch (switch only)	\$179
Table # - 53729	TouchFX Fixed Mount Programmable 4 Position Handswitch Upgrade (add to list price of table)	\$141
51731	Previous Model Four Position Programmable Control Switch for use with Elegante XT (switch only)	\$148
Table # - 51731	Previous Model Four Position Programmable Control Switch Upgrade for use with Elegante XT (add to list price of table)	\$110

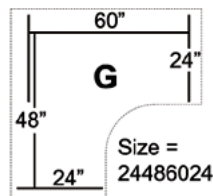
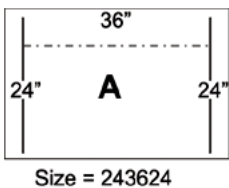


Table # _C - Caster Foot for 24" and 30" deep workstation (per column), must be ordered with table. For Elegante XT cross support MUST be added. = \$91



NewHeights™ Finish Options

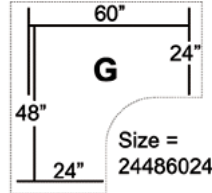
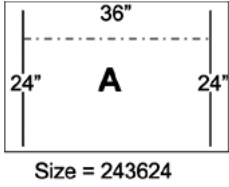


Note: When ordering NewHeights™, please add finish to end of model number.

Workstation with: Silver Base and Cherry Top
Example: NXTAAS243624SCH

See finishes page for additional laminate surface colors with a 2-4 week lead time.

Worksurface ONLY - Elegante XT

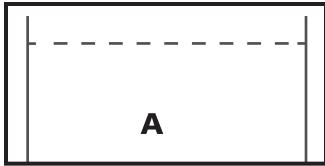


NewHeights™ Finish Options

Note: When ordering NewHeights™, please add finish to end of model number.

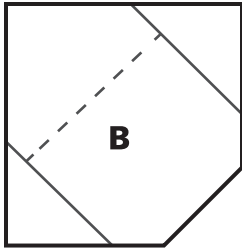
Workstation with:
Silver Base and Cherry Top
Example: NXTAAS243624SCH

See finishes page for additional laminate surface colors with a 2-4 week lead time.

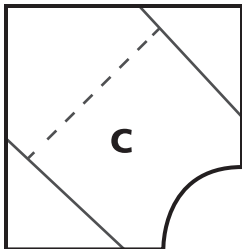


QuickShip
in Cherry (CH) or
Hardrock Maple (HM)

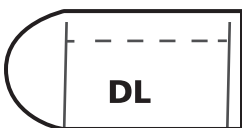
Model #	Description	List Price
Elegante XT (NXT) Worksurface - Rectangle Shape A		
WS2A243624	Worksurface Type2 1-1/8" Rectangle 24"x36"x24"	\$170
WS2A244824	Worksurface Type2 1-1/8" Rectangle 24"x48"x24"	\$219
WS2A246024	Worksurface Type2 1-1/8" Rectangle 24"x60"x24"	\$296
WS2A247224	Worksurface Type2 1-1/8" Rectangle 24"x72"x24"	\$318
WS2A303630	Worksurface Type2 1-1/8" Rectangle 30"x36"x30"	\$183
WS2A304830	Worksurface Type2 1-1/8" Rectangle 30"x48"x30"	\$235
WS2A306030	Worksurface Type2 1-1/8" Rectangle 30"x60"x30"	\$322
WS2A307230	Worksurface Type2 1-1/8" Rectangle 30"x72"x30"	\$339



Elegante XT (NXT) Worksurface - Diagonal Shape B		
WS2B24363624	Worksurface Type2 1-1/8" Base 24"x36"x36"x24"	\$286
WS2B24424224	Worksurface Type2 1-1/8" Base 24"x42"x42"x24"	\$371
WS2B24484824	Worksurface Type2 1-1/8" Base 24"x48"x48"x24"	\$389
WS2B30363630	Worksurface Type2 1-1/8" Base 30"x36"x36"x30"	\$288
WS2B30424230	Worksurface Type2 1-1/8" Base 30"x42"x42"x30"	\$372
WS2B30484830	Worksurface Type2 1-1/8" Base 30"x48"x48"x30"	\$391



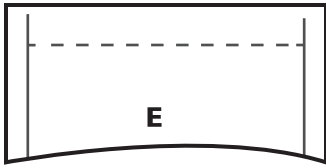
Elegante XT (NXT) Worksurface - Radius Shape C		
WS2C24363624	Worksurface Type2 1-1/8" Corner-Radius 24"x36"x36"x24"	\$293
WS2C24484824	Worksurface Type2 1-1/8" Corner-Radius 24"x48"x48"x24"	\$388
WS2C30424230	Worksurface Type2 1-1/8" Corner-Radius 30"x42"x42"x30"	\$378
WS2C30484830	Worksurface Type2 1-1/8" Corner-Radius 30"x48"x48"x30"	\$393



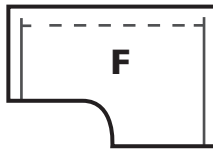
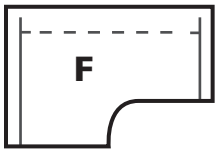
Elegante XT (NXT) Worksurface - Peninsula Shape D		
WS2DL306030	Worksurface Type2 1-1/8" Peninsula Left Radius 30"x60"x30"	\$356
WS2DL307230	Worksurface Type2 1-1/8" Peninsula Left Radius 30"x72"x30"	\$379
WS2DR306030	Worksurface Type2 1-1/8" Peninsula Right Radius 30"x60"x30"	\$356
WS2DR307230	Worksurface Type2 1-1/8" Peninsula Right Radius 30"x72"x30"	\$379



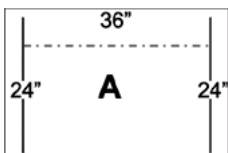
Worksurface ONLY - Elegante XT



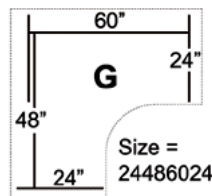
Model #	Description	List Price
Elegante XT (NXT) Worksurface - Bow Front Shape E		
WS2E243624R	Worksurface Type2 1-1/8" Bow Front 24"x36"x24" Radius	\$203
WS2E244824R	Worksurface Type2 1-1/8" Bow Front 24"x48"x24" Radius	\$259
WS2E246024R	Worksurface Type2 1-1/8" Bow Front 24"x60"x24" Radius	\$344
WS2E247224R	Worksurface Type2 1-1/8" Bow Front 24"x72"x24" Radius	\$372
WS2E303630R	Worksurface Type2 1-1/8" Bow Front 30"x36"x30" Radius	\$220
WS2E304830R	Worksurface Type2 1-1/8" Bow Front 30"x48"x30" Radius	\$279
WS2E306030R	Worksurface Type2 1-1/8" Bow Front 30"x60"x30" Radius	\$373
WS2E307230R	Worksurface Type2 1-1/8" Bow Front 30"x72"x30" Radius	\$396



Elegante XT (NXT) Worksurface - 2 Leg L Shape F		
WS2F24364824	Worksurface Type2 1-1/8" 2 Leg L Shape 24"x36"x48"x24"	\$530
WS2F24366024	Worksurface Type2 1-1/8" 2 Leg L Shape 24"x36"x60"x24"	\$712
WS2F24367224	Worksurface Type2 1-1/8" 2 Leg L Shape 24"x36"x72"x24"	\$782
WS2F24424824	Worksurface Type2 1-1/8" 2 Leg L Shape 24"x42"x48"x24"	\$566
WS2F24426024	Worksurface Type2 1-1/8" 2 Leg L Shape 24"x42"x60"x24"	\$755
WS2F24426030	Worksurface Type2 1-1/8" 2 Leg L Shape 24"x42"x60"x30"	\$753
WS2F24427224	Worksurface Type2 1-1/8" 2 Leg L Shape 24"x42"x72"x24"	\$833
WS2F24427230	Worksurface Type2 1-1/8" 2 Leg L Shape 24"x42"x72"x30"	\$831
WS2F24483624	Worksurface Type2 1-1/8" 2 Leg L Shape 24"x48"x36"x24"	\$530
WS2F24484224	Worksurface Type2 1-1/8" 2 Leg L Shape 24"x48"x42"x24"	\$566
WS2F24603624	Worksurface Type2 1-1/8" 2 Leg L Shape 24"x60"x36"x24"	\$712
WS2F24603630	Worksurface Type2 1-1/8" 2 Leg L Shape 24"x60"x36"x30"	\$710
WS2F24604224	Worksurface Type2 1-1/8" 2 Leg L Shape 24"x60"x42"x24"	\$755
WS2F24604230	Worksurface Type2 1-1/8" 2 Leg L Shape 24"x60"x42"x30"	\$753
WS2F24723624	Worksurface Type2 1-1/8" 2 Leg L Shape 24"x72"x36"x24"	\$782
WS2F24723630	Worksurface Type2 1-1/8" 2 Leg L Shape 24"x72"x36"x30"	\$780
WS2F24724224	Worksurface Type2 1-1/8" 2 Leg L Shape 24"x72"x42"x24"	\$833
WS2F24724230	Worksurface Type2 1-1/8" 2 Leg L Shape 24"x72"x42"x30"	\$831
WS2F30366024	Worksurface Type2 1-1/8" 2 Leg L Shape 30"x36"x60"x24"	\$710
WS2F30367224	Worksurface Type2 1-1/8" 2 Leg L Shape 30"x36"x72"x24"	\$780
WS2F30426024	Worksurface Type2 1-1/8" 2 Leg L Shape 30"x42"x60"x24"	\$753
WS2F30426030	Worksurface Type2 1-1/8" 2 Leg L Shape 30"x42"x60"x30"	\$751
WS2F30427224	Worksurface Type2 1-1/8" 2 Leg L Shape 30"x42"x72"x24"	\$831
WS2F30427230	Worksurface Type2 1-1/8" 2 Leg L Shape 30"x42"x72"x30"	\$830
WS2F30604224	Worksurface Type2 1-1/8" 2 Leg L Shape 30"x60"x42"x24"	\$753
WS2F30604230	Worksurface Type2 1-1/8" 2 Leg L Shape 30"x60"x42"x30"	\$751
WS2F30724224	Worksurface Type2 1-1/8" 2 Leg L Shape 30"x72"x42"x24"	\$831
WS2F30724230	Worksurface Type2 1-1/8" 2 Leg L Shape 30"x72"x42"x30"	\$830



Size = 243624



Size = 24486024

NewHeights™ Finish Options

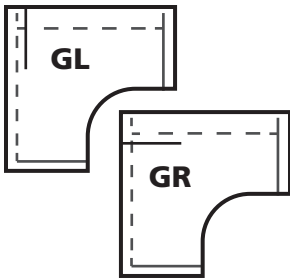


Note: When ordering NewHeights™, please add finish to end of model number.

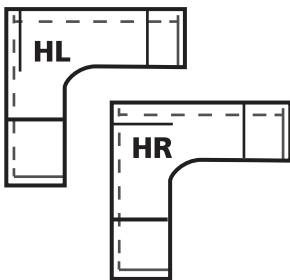
Workstation with: Silver Base and Cherry Top
Example: NXTAA5243624SCH

See finishes page for additional laminate surface colors with a 2-4 week lead time.

Worksurface ONLY - Elegante XT

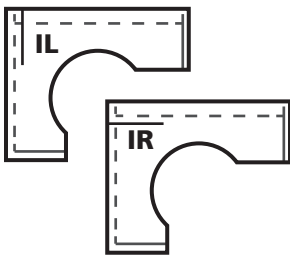


Model #	Description	List Price
Elegante XT (NXT) Worksurface - 3 Leg L Shape G		
WS2G24486024	Worksurface Type2 1-1/8" 3 Leg L Shape 24"x48"x60"x24"	\$800
WS2G24487224	Worksurface Type2 1-1/8" 3 Leg L Shape 24"x48"x72"x24"	\$884
WS2G24604824	Worksurface Type2 1-1/8" 3 Leg L Shape 24"x60"x48"x24"	\$800
WS2G24606024	Worksurface Type2 1-1/8" 3 Leg L Shape 24"x60"x60"x24"	\$902
WS2G24607224	Worksurface Type2 1-1/8" 3 Leg L Shape 24"x60"x72"x24"	\$1,004
WS2G24724824	Worksurface Type2 1-1/8" 3 Leg L Shape 24"x72"x48"x24"	\$884
WS2G24726024	Worksurface Type2 1-1/8" 3 Leg L Shape 24"x72"x60"x24"	\$1,004
WS2G30486030	Worksurface Type2 1-1/8" 3 Leg L Shape 30"x48"x60"x30"	\$796
WS2G30487230	Worksurface Type2 1-1/8" 3 Leg L Shape 30"x48"x72"x30"	\$881
WS2G30604830	Worksurface Type2 1-1/8" 3 Leg L Shape 30"x60"x48"x30"	\$796
WS2G30606030	Worksurface Type2 1-1/8" 3 Leg L Shape 30"x60"x60"x30"	\$899
WS2G30607230	Worksurface Type2 1-1/8" 3 Leg L Shape 30"x60"x72"x30"	\$1,001
WS2G30724830	Worksurface Type2 1-1/8" 3 Leg L Shape 30"x72"x48"x30"	\$881
WS2G30726030	Worksurface Type2 1-1/8" 3 Leg L Shape 30"x72"x60"x30"	\$1,001

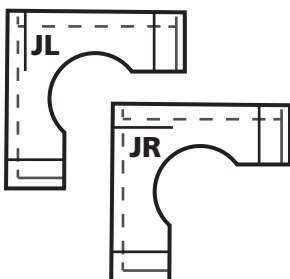


Elegante XT (NXT) Worksurface - 3 Leg L with Seam Shape H		
WS2H24727224	Worksurface Type2 1-1/8" 3 Leg L Shape with Seam 24"x72"x72"x24"	\$1,213
WS2H30727230	Worksurface Type2 1-1/8" 3 Leg L Shape with Seam 30"x72"x72"x30"	\$1,215

* L worksurfaces longer than 60" on both sides will have a seam on the longest side. If both are the same size, the seam will default to the left side.

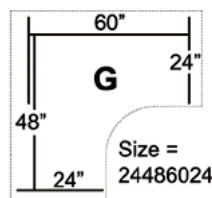
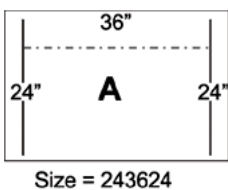


Elegante XT (NXT) Worksurface - Cockpit Shape I		
WS2I24606024	Worksurface Type2 1-1/8" Cockpit 24"x60"x60"x24"	\$911
WS2I24607224	Worksurface Type2 1-1/8" Cockpit 24"x60"x72"x24"	\$1,014
WS2I24726024	Worksurface Type2 1-1/8" Cockpit 24"x72"x60"x24"	\$1,014
WS2I30606030	Worksurface Type2 1-1/8" Cockpit 30"x60"x60"x30"	\$908
WS2I30607230	Worksurface Type2 1-1/8" Cockpit 30"x60"x72"x30"	\$1,010
WS2I30726030	Worksurface Type2 1-1/8" Cockpit 30"x72"x60"x30"	\$1,010



Elegante XT (NXT) Worksurface - Cockpit with Seam Shape J		
WS2J24727224	Worksurface Type2 1-1/8" Cockpit with Seam 24"x72"x72"x24"	\$1,222
WS2J30727230	Worksurface Type2 1-1/8" Cockpit with Seam 30"x72"x72"x30"	\$1,224

* L worksurfaces longer than 60" on both sides will have a seam on the longest side. If both are the same size, the seam will default to the left side.



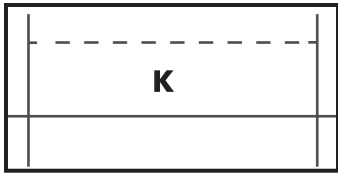
NewHeights™ Finish Options

Note: When ordering NewHeights™, please add finish to end of model number.

Workstation with:
Silver Base and Cherry Top
Example: NXTAA5243624SCH

See finishes page for additional laminate surface colors with a 2-4 week lead time.

Worksurface ONLY - Elegante XT



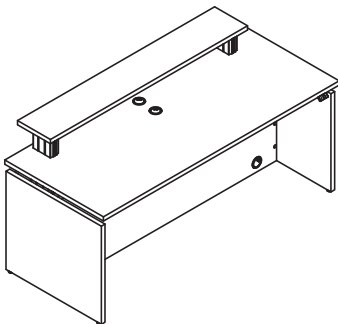
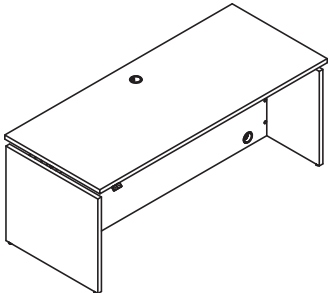
Model #	Description	List Price
Elegante XT (NXT) Worksurface - Split Top Shape K		
WS2K304830	Worksurface Type2 1-1/8" 10/20 Split 30"x48"x30"	\$277
WS2K306030	Worksurface Type2 1-1/8" 10/20 Split 30"x60"x30"	\$375
WS2K307230	Worksurface Type2 1-1/8" 10/20 Split 30"x72"x30"	\$402

Split Worksurface Mechanism		
301SW	Split Worksurface Mechanism	\$561

Elegante XT - Radiology

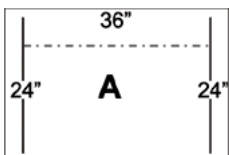
Base Only		
NXTBS30484830Z0091	Elegante 4-Column Base (standard foot)	\$5047
Elegante XT (NXT) Radiology WORKSURFACE ONLY		
WS2K30727230RZ0165	Elegante Custom Split Top 30" x 47-1/2" x 31" x 47-1/2" x 30"	\$1,828
WS2K30808030RZ0167	Elegante Custom Split Top 30" x 47-1/2" x 42-1/2" x 47-1/2" x 30"	\$2,037
Split Worksurface Mechanism		
301SW	Split Worksurface Mechanism	\$561

Presidente

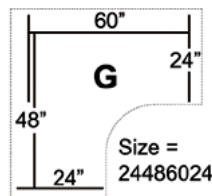


Presidente Desk Base and Worksurface		
NPEBS304830	Presidente Desk 30"x48"	\$2,900
NPEBS306030	Presidente Desk 30"x60"	\$2,900
NPEBS307230	Presidente Desk 30"x72"	\$3,050
Modesty Panel		
NPEMOD48	Presidente Modesty Panel 30"x48"	\$245
NPEMOD60	Presidente Modesty Panel 30"x60"	\$245
NPEMOD72	Presidente Modesty Panel 30"x72"	\$310

Presidente Reception Base and Worksurface		
NPRBS304830	Presidente Reception Desk 30"x48"	\$3,470
NPRBS306030	Presidente Reception Desk 30"x60"	\$3,470
NPRBS307230	Presidente Reception Desk 30"x72"	\$3,685



Size = 243624



Size = 24486024

NewHeights™ Finish Options



Note: When ordering NewHeights™, please add finish to end of model number.

Workstation with: Silver Base and Cherry Top Example: NXTAAS243624SCH

See finishes page for additional laminate surface colors with a 2-4 week lead time.

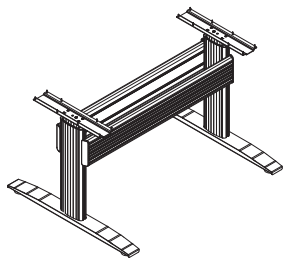
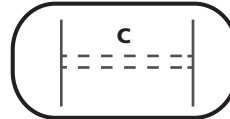
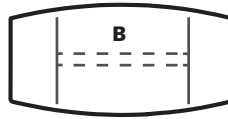
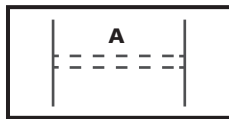
Elegante XT - Conference Tables

Alternate between sitting and standing in your meetings with the push of a button.

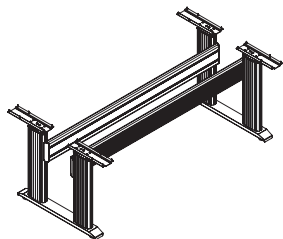
- Height Range: 24" - 48" H.
- Lifting Capacity Base Only: 162.5 pounds per column 325 pounds total for two-legs.
- Height Adjustment: 1.5 inches per second.
- Conference table adjusts quickly and quietly.
- Variety of shapes and sizes available.
- Available with worksurface or base only.
- Base Color: black or silver.
- Worksurface: ten standard thermally-fused options, high-pressure laminate and custom colors available.
- Standard programmable switch with all 4-column Elegante XT conference tables.

NewHeights™ Elegante XT Conference Table Shapes Sizes can be adjusted to fit your needs.

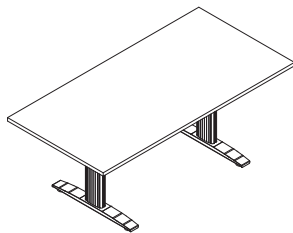
- A** Rectangle
- B** Boat
- C** Oval



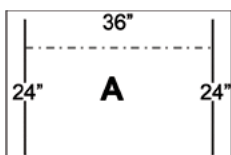
Model #	Description	List Price
2 COLUMN Conference Table Base		
NXCBS303630	2 Leg Conference Base 30"x36"x30"	\$2,394
NXCBS304830	2 Leg Conference Base 30"x48"x30"	\$2,484
NXCBS306030	2 Leg Conference Base 30"x60"x30"	\$2,542
NXCBS307230	2 Leg Conference Base 30"x72"x30"	\$2,600
NXCBS308430	2 Leg Conference Base 30"x84"x30"	\$2,658
NXCBS309630	2 Leg Conference Base 30"x96"x30"	\$2,716



Model #	Description	List Price
4 COLUMN Conference Table Base		
NXCBS346034	4 Leg Conference Base 34"x60"x34"	\$4,873
NXCBS347234	4 Leg Conference Base 34"x72"x34"	\$4,931
NXCBS348434	4 Leg Conference Base 34"x84"x34"	\$4,989
NXCBS349634	4 Leg Conference Base 34"x96"x34"	\$5,047



Assembly #	Description	Base #	Worksurface #	List Price
2 Column Base with Worksurface - Rectangle				
NXCAAS366036	36"x60"x36"	NXCBS303630	WS3A366036	\$3,096
NXCAAS367236	36"x72"x36"	NXCBS304830	WS3A367236	\$3,253
NXCAAS368436	36"x84"x36"	NXCBS304830	WS3A368436	\$3,691
NXCAAS427242	42"x72"x42"	NXCBS304830	WS3A427242	\$3,302
NXCAAS428442	42"x84"x42"	NXCBS304830	WS3A428442	\$3,748



Size = 243624

NewHeights™ Finish Options

Black Base
Cherry Top (**BCH**)

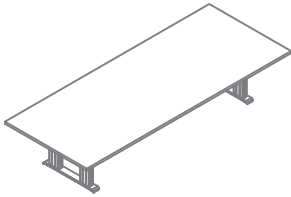
Silver Base
Hardrock Maple
Top (**SHM**)

Note: When ordering NewHeights™, please add finish to end of model number.

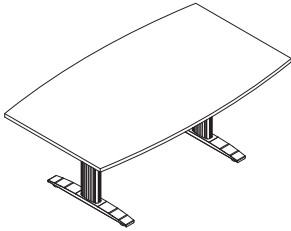
Workstation with:
Silver Base and Cherry Top
Example: NXTAAS243624**SCH**

See finishes page for additional laminate surface colors with a 2-4 week lead time.

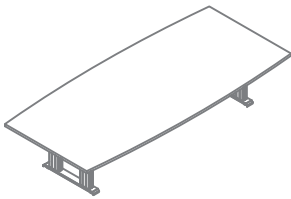
Elegante XT - Conference Tables



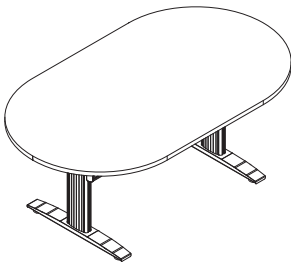
Assembly #	Description	Base #	Worksurface #	List Price
4 Column Base with Worksurface - Rectangle				
NXCAAS489648	48"x96"x48"	NXCBS346034	WS3A489648	\$6,266
NXCAAS4812048	48"x120"x48"	NXCBS348434	WS3A4812048	\$6,519



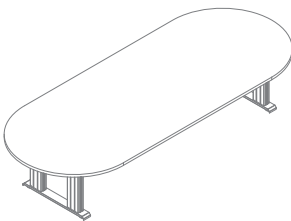
2 Column Base with Worksurface - Boat				
NXCABS368436	36"x84"x36"	NXCBS304830	WS3B368436	\$3,733
NXCABS427242	42"x72"x42"	NXCBS304830	WS3B427242	\$3,337



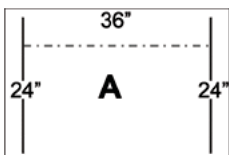
4 Column Base with Worksurface - Boat				
NXCABS549654	54"x96"x54"	NXCBS346034	WS3B549654	\$6,367
NXCABS5412054	54"x120"x54"	NXCBS348434	WS3B5412054	\$6,673



2 Column Base with Worksurface - Oval				
NXCACS367236	36"x72"x36"	NXCBS304830	WS3C367236	\$3,286
NXCACS427242	42"x72"x42"	NXCBS304830	WS3C427242	\$3,335
NXCACS428442	42"x84"x42"	NXCBS304830	WS3C428442	\$3,787



4 Column Base with Worksurface - Oval				
NXCACS489648	48"x96"x48"	NXCBS346034	WS3C489648	\$6,311
NXCACS4812048	48"x120"x48"	NXCBS347234	WS3C4812048	\$6,578



Size = 243624

NewHeights™ Finish Options



Black Base
Cherry Top (BCH)



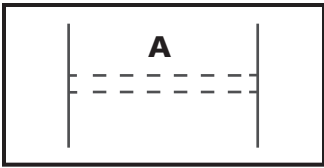
Silver Base
Hardrock Maple
Top (SHM)

Note: When ordering NewHeights™, please add finish to end of model number.

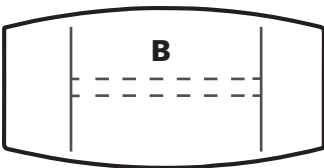
Workstation with:
Silver Base and Cherry Top
Example: NXTAAS243624SCH

See finishes page for additional laminate surface colors with a 2-4 week lead time.

Worksurface ONLY - Elegante XT Conference Table



Model #	Description	List Price
Worksurface Type3 1-1/8" Rectangle		
WS3A306030	30"x60"x30"	\$322
WS3A307230	30"x72"x30"	\$339
WS3A308430	30"x84"x30"	\$566
WS3A309630	30"x96"x30"	\$584
WS3A366036	36"x60"x36"	\$702
WS3A367236	36"x72"x36"	\$769
WS3A368436	36"x84"x36"	\$1,207
WS3A369636	36"x96"x36"	\$1,262
WS3A426042	42"x60"x42"	\$743
WS3A427242	42"x72"x42"	\$818
WS3A428442	42"x84"x42"	\$1,264
WS3A429642	42"x96"x42"	\$1,325
WS3A487248	48"x72"x48"	\$868
WS3A488448	48"x84"x48"	\$1,320
WS3A489648	48"x96"x48"	\$1,393
WS3A4810848	48"x108"x48"	\$1,462
WS3A4812048	48"x120"x48"	\$1,530
WS3A547254	54"x72"x54"	\$926
WS3A548454	54"x84"x54"	\$1,352
WS3A549654	54"x96"x54"	\$1,445
WS3A5410854	54"x108"x54"	\$1,533
WS3A5412054	54"x120"x54"	\$1,622
WS3A607260	60"x72"x60"	\$984
WS3A608460	60"x84"x60"	\$1,419
WS3A609660	60"x96"x60"	\$1,520
WS3A6010860	60"x108"x60"	\$1,617
WS3A6012060	60"x120"x60"	\$1,717



Worksurface Type3 1-1/8" Boat		
WS3B306030	30"x60"x30"	\$351
WS3B307230	30"x72"x30"	\$374
WS3B308430	30"x84"x30"	\$609
WS3B309630	30"x96"x30"	\$633
WS3B366036	36"x60"x36"	\$730
WS3B367236	36"x72"x36"	\$804
WS3B368436	36"x84"x36"	\$1,249
WS3B369636	36"x96"x36"	\$1,311
WS3B426042	42"x60"x42"	\$772
WS3B427242	42"x72"x42"	\$853
WS3B428442	42"x84"x42"	\$1,306
WS3B429642	42"x96"x42"	\$1,374
WS3B487248	48"x72"x48"	\$903

NewHeights™ Finish Options

Note: When ordering NewHeights™, please add finish to end of model number.

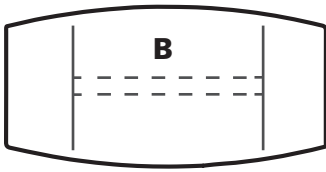
Workstation with:
Silver Base and Cherry Top
Example: NXXTAA5243624SCH

See finishes page for additional laminate surface colors with a 2-4 week lead time.

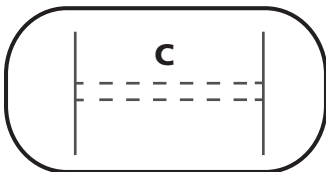
*Black Base
Cherry Top (BCH)*

*Silver Base
Hardrock Maple
Top (SHM)*

Worksurface ONLY - Elegante XT Conference Table



Model #	Description	List Price
Worksurface Type3 1-1/8" Boat		
WS3B488448	48"x84"x48"	\$1,362
WS3B489648	48"x96"x48"	\$1,441
WS3B4810848	48"x108"x48"	\$1,517
WS3B4812048	48"x120"x48"	\$1,592
WS3B547254	54"x72"x54"	\$961
WS3B548454	54"x84"x54"	\$1,394
WS3B549654	54"x96"x54"	\$1,494
WS3B5410854	54"x108"x54"	\$1,589
WS3B5412054	54"x120"x54"	\$1,684
WS3B607260	60"x72"x60"	\$1,019
WS3B608460	60"x84"x60"	\$1,461
WS3B609660	60"x96"x60"	\$1,568
WS3B6010860	60"x108"x60"	\$1,672
WS3B6012060	60"x120"x60"	\$1,780



Worksurface Type3 1-1/8" Oval		
WS3C308430	30"x84"x30"	\$609
WS3C309630	30"x96"x30"	\$634
WS3C366036	36"x60"x36"	\$729
WS3C367236	36"x72"x36"	\$802
WS3C368436	36"x84"x36"	\$1,247
WS3C369636	36"x96"x36"	\$1,310
WS3C426042	42"x60"x42"	\$770
WS3C427242	42"x72"x42"	\$851
WS3C428442	42"x84"x42"	\$1,303
WS3C429642	42"x96"x42"	\$1,371
WS3C487248	48"x72"x48"	\$901
WS3C488448	48"x84"x48"	\$1,359
WS3C489648	48"x96"x48"	\$1,438
WS3C4810848	48"x108"x48"	\$1,513
WS3C4812048	48"x120"x48"	\$1,589
WS3C547254	54"x72"x54"	\$958
WS3C548454	54"x84"x54"	\$1,390
WS3C549654	54"x96"x54"	\$1,489
WS3C5410854	54"x108"x54"	\$1,584
WS3C5412054	54"x120"x54"	\$1,680
WS3C607260	60"x72"x60"	\$1,018
WS3C608460	60"x84"x60"	\$1,458
WS3C609660	60"x96"x60"	\$1,564
WS3C6010860	60"x108"x60"	\$1,667
WS3C6012060	60"x120"x60"	\$1,773
WS3C6012060	60"x120"x60"	\$1,773

NewHeights™ Finish Options

Note: When ordering NewHeights™, please add finish to end of model number.

Workstation with:
Silver Base and Cherry Top
Example: NXTAAS243624SCH

See finishes page for additional laminate surface colors with a 2-4 week lead time.

Black Base Cherry Top (BCH) *Silver Base Hardrock Maple Top (SHM)*

Eficiente LT - Electric Height Adjustable Bases

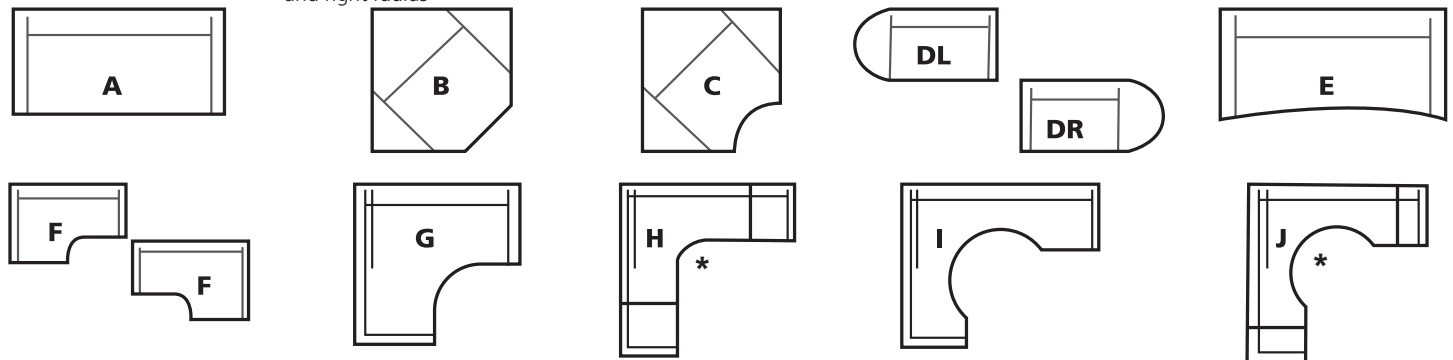
Electric base adjusts quickly and quietly with the gentle push of a button, available for a great value.

- Height Range: 27" - 47" H.
- Total Lifting Capacity Base Only: 250 pounds 2-leg, 375 pounds 3-leg.
- Height Adjustment: 1.5 inches per second.
- Under Desk Clearance: 25.875" low to 45.875" high.
- Mounting clearance (depth) for under desk accessories (note: any length track system can be mounted on an angle): 24" workstation is 14" — 30" workstation is 17"
- Available with worksurface or base only.
- Bases available for 24" and 30" deep worksurfaces.
- Power cord is 10 feet long.
- Custom size worksurfaces available.
- Base Color: black or silver.
- Worksurface: ten standard thermally-fused options, high-pressure laminate and custom colors available.

NewHeights™ Eficiente LT Shapes

Sizes can be adjusted to fit your needs.

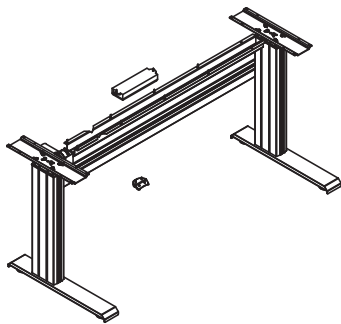
- A Rectangle
- B Corner-Diagonal
- C Corner-Radius
- D Peninsula, left and right radius
- E Bow Front
- F 2-Leg L
- G 3-Leg L
- H 3-Leg L Seam*
- I Cockpit
- J Cockpit Seam*



* L worksurfaces longer than 60" on both sides will have a seam on the longest side. If both are the same size, the seam will default to the left side.

Eficiente LT keyboard arm options for Shapes I and J:

- 30" deep worksurface – CFP17 Compact Fast Action & VS17 Value Swivel (17" maximum track length)
- 24" deep worksurface – TLF Trackless Fast Action

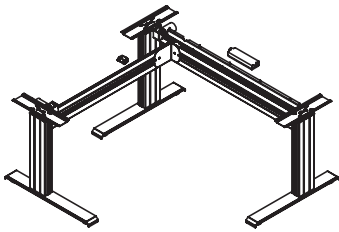


Model #	Description	List Price
Standard Base Only 2-Leg		
NLTBS243024	Eficiente Std Base 24"x30"x24"	\$1,588
NLTBS243624	Eficiente Std Base 24"x36"x24"	\$1,588
NLTBS244224	Eficiente Std Base 24"x42"x24"	\$1,636
NLTBS244824	Eficiente Std Base 24"x48"x24"	\$1,636
NLTBS246024	Eficiente Std Base 24"x60"x24"	\$1,636
NLTBS247224	Eficiente Std Base 24"x72"x24"	\$1,668
NLTBS303630	Eficiente Std Base 30"x36"x30"	\$1,615
NLTBS304230	Eficiente Std Base 30"x42"x30"	\$1,663
NLTBS304830	Eficiente Std Base 30"x48"x30"	\$1,663
NLTBS306030	Eficiente Std Base 30"x60"x30"	\$1,663
NLTBS307230	Eficiente Std Base 30"x72"x30"	\$1,695
NLTBS244836	Eficiente Std Base 24"x48"x36"	\$1,724
NLTBS246036	Eficiente Std Base 24"x60"x36"	\$1,724
NLTBS247236	Eficiente Std Base 24"x72"x36"	\$1,756
NLTBS304836	Eficiente Std Base 30"x48"x36"	\$1,751
NLTBS306036	Eficiente Std Base 30"x60"x36"	\$1,751
NLTBS307236	Eficiente Std Base 30"x72"x36"	\$1,783
NLTBS364824	Eficiente Std Base 36"x48"x24"	\$1,724
NLTBS366024	Eficiente Std Base 36"x60"x24"	\$1,724
NLTBS367224	Eficiente Std Base 36"x72"x24"	\$1,756
NLTBS364830	Eficiente Std Base 36"x48"x30"	\$1,751
NLTBS366030	Eficiente Std Base 36"x60"x30"	\$1,751
NLTBS367230	Eficiente Std Base 36"x72"x30"	\$1,783

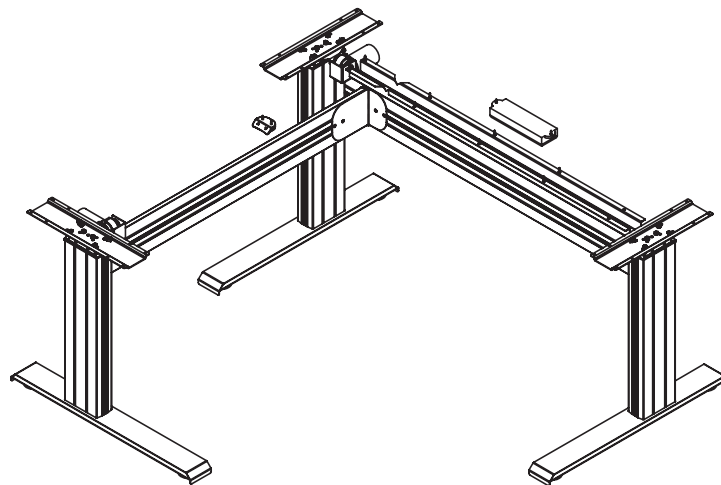
Eficiente LT - Electric Height Adjustable Bases

Model #	Description	List Price
Caster Foot Base Only 2-Leg		
NLTBC243024	Eficiente Caster Foot 24"x30"x24"	\$1,770
NLTBC243624	Eficiente Caster Foot 24"x36"x24"	\$1,770
NLTBC244224	Eficiente Caster Foot 24"x42"x24"	\$1,818
NLTBC244824	Eficiente Caster Foot 24"x48"x24"	\$1,818
NLTBC246024	Eficiente Caster Foot 24"x60"x24"	\$1,818
NLTBC247224	Eficiente Caster Foot 24"x72"x24"	\$1,850
NLTBC303630	Eficiente Caster Foot 30"x36"x30"	\$1,797
NLTBC304230	Eficiente Caster Foot 30"x42"x30"	\$1,845
NLTBC304830	Eficiente Caster Foot 30"x48"x30"	\$1,845
NLTBC306030	Eficiente Caster Foot 30"x60"x30"	\$1,845
NLTBC307230	Eficiente Caster Foot 30"x72"x30"	\$1,877

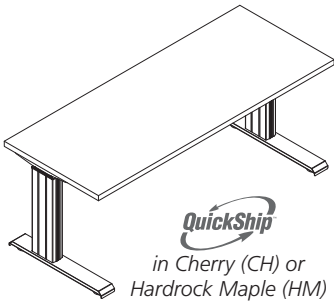
Eficiente LT - Electric Height Adjustable Bases



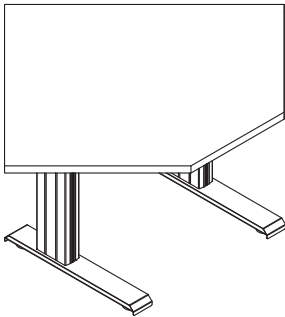
Model #	Description	List Price
Standard Base Only 3-Leg		
NLTBLS24486024	Eficiente Std Base L Shape 24" x48" x60" x24"	\$2,464
NLTBLS24487224	Eficiente Std Base L Shape 24" x48" x72" x24"	\$2,464
NLTBLS24604824	Eficiente Std Base L Shape 24" x60" x48" x24"	\$2,464
NLTBLS24606024	Eficiente Std Base L Shape 24" x60" x60" x24"	\$2,464
NLTBLS24607224	Eficiente Std Base L Shape 24" x60" x72" x24"	\$2,496
NLTBLS24724824	Eficiente Std Base L Shape 24" x72" x48" x24"	\$2,464
NLTBLS24726024	Eficiente Std Base L Shape 24" x72" x60" x24"	\$2,496
NLTBLS24727224	Eficiente Std Base L Shape 24" x72" x72" x24"	\$2,496
NLTBLS30484830	Eficiente Std Base L Shape 30" x48" x48" x30"	\$2,491
NLTBLS30486030	Eficiente Std Base L Shape 30" x48" x60" x30"	\$2,491
NLTBLS30487230	Eficiente Std Base L Shape 30" x48" x72" x30"	\$2,491
NLTBLS30604830	Eficiente Std Base L Shape 30" x60" x48" x30"	\$2,491
NLTBLS30606030	Eficiente Std Base L Shape 30" x60" x60" x30"	\$2,491
NLTBLS30607230	Eficiente Std Base L Shape 30" x60" x72" x30"	\$2,523
NLTBLS30724830	Eficiente Std Base L Shape 30" x72" x48" x30"	\$2,491
NLTBLS30726030	Eficiente Std Base L Shape 30" x72" x60" x30"	\$2,523
NLTBLS30727230	Eficiente Std Base L Shape 30" x72" x72" x30"	\$2,523



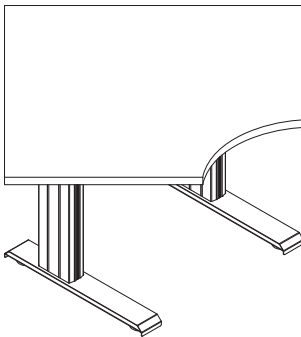
Eficiente LT - Standard Base with Worksurface



Assembly #	Description	Base #	Worksurface #	List Price
Eficiente LT (NLT) Standard Base with Worksurface - Rectangle Shape A				
NLTAAS243624	Std Base w/Worksurface 24"x36"x24"	NLTBS243624	WS1A243624	\$1,758
NLTAAS244224	Std Base w/Worksurface 24"x42"x24"	NLTBS244224	WS1A244224	\$1,847
NLTAAS244824	Std Base w/Worksurface 24"x48"x24"	NLTBS244824	WS1A244824	\$1,855
NLTAAS246024	Std Base w/Worksurface 24"x60"x24"	NLTBS246024	WS1A246024	\$1,932
NLTAAS247224	Std Base w/Worksurface 24"x72"x24"	NLTBS247224	WS1A247224	\$1,986
NLTAAS303630	Std Base w/Worksurface 30"x36"x30"	NLTBS303630	WS1A303630	\$1,798
NLTAAS304230	Std Base w/Worksurface 30"x42"x30"	NLTBS304230	WS1A304230	\$1,889
NLTAAS304830	Std Base w/Worksurface 30"x48"x30"	NLTBS304830	WS1A304830	\$1,898
NLTAAS306030	Std Base w/Worksurface 30"x60"x30"	NLTBS306030	WS1A306030	\$1,985
NLTAAS307230	Std Base w/Worksurface 30"x72"x30"	NLTBS307230	WS1A307230	\$2,034



Eficiente LT (NLT) Standard Base with Worksurface - Diagonal Shape B				
NLTABS24363624	Std Base w/Worksurface 24x36x36x24	NLTBS243024	WS1B24363624	\$1,874
NLTABS24424224	Std Base w/Worksurface 24x42x42x24	NLTBS243624	WS1B24424224	\$1,959
NLTABS24484824	Std Base w/Worksurface 24x48x48x24	NLTBS303630	WS1B24484824	\$2,004
NLTABS30363630	Std Base w/Worksurface 30x36x36x30	NLTBS243024	WS1B30363630	\$1,876
NLTABS30424230	Std Base w/Worksurface 30x42x42x30	NLTBS243624	WS1B30424230	\$1,960
NLTABS30484830	Std Base w/Worksurface 30x48x48x30	NLTBS303630	WS1B30484830	\$2,006



Eficiente LT (NLT) Standard Base with Worksurface - Radius Shape C				
NLTACS24363624	Std Base w/Worksurface 24x36x36x24	NLTBS243024	WS1C24363624	\$1,881
NLTACS24484824	Std Base w/Worksurface 24x48x48x24	NLTBS303630	WS1C24484824	\$2,003
NLTACS30424230	Std Base w/Worksurface 30x42x42x30	NLTBS243624	WS1C30424230	\$1,966
NLTACS30484830	Std Base w/Worksurface 30x48x48x30	NLTBS303630	WS1C30484830	\$2,008

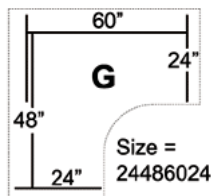
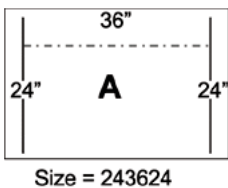
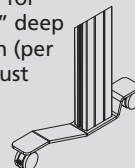


Table # _C
Caster Foot for 24" and 30" deep workstation (per column), must be ordered with table = **\$91**



NewHeights™ Finish Options

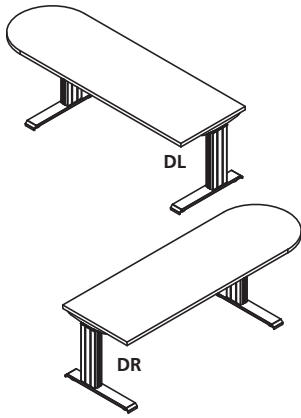


Note: When ordering NewHeights™, please add finish to end of model number.

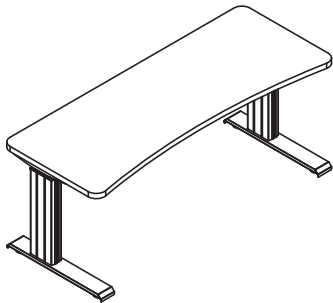
Workstation with: Silver Base and Cherry Top
Example: N~~XT~~AAS243624SCH

See finishes page for additional laminate surface colors with a 2-4 week lead time.

Efficiente LT - Standard Base with Worksurface



Assembly #	Description	Base #	Worksurface #	List Price
Efficiente LT (NLT) Standard Base with Worksurface - Peninsula Shape D				
NLTADLS306030	Std Base w/Worksurface Left Radius 30"x60"x30"	NLTBS304230	WS1DL306030	\$2,019
NLTADLS307230	Std Base w/Worksurface Left Radius 30"x72"x30"	NLTBS306030	WS1DL307230	\$2,042
NLTADRS306030	Std Base w/Worksurface Right Radius 30"x60"x30"	NLTBS304230	WS1DR306030	\$2,019
NLTADRS307230	Std Base w/Worksurface Right Radius 30"x72"x30"	NLTBS306030	WS1DR307230	\$2,042



Efficiente LT (NLT) Standard Base with Worksurface - Bow Front Shape E				
NLTAES243624R	Std Base w/Worksurface 24x36x24	NLTBS243624	WS1E243624R	\$1,791
NLTAES244824R	Std Base w/Worksurface 24x48x24	NLTBS244824	WS1E244824R	\$1,895
NLTAES246024R	Std Base w/Worksurface 24x60x24	NLTBS246024	WS1E246024R	\$1,980
NLTAES247224R	Std Base w/Worksurface 24x72x24	NLTBS247224	WS1E247224R	\$2,040
NLTAES303630R	Std Base w/Worksurface 30x36x30	NLTBS303630	WS1E303630R	\$1,835
NLTAES304830R	Std Base w/Worksurface 30x48x30	NLTBS304830	WS1E304830R	\$1,942
NLTAES306030R	Std Base w/Worksurface 30x60x30	NLTBS306030	WS1E306030R	\$2,036
NLTAES307230R	Std Base w/Worksurface 30x72x30	NLTBS307230	WS1E307230R	\$2,091

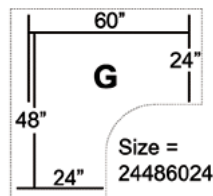
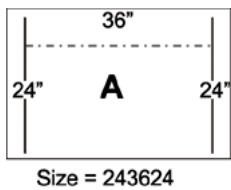
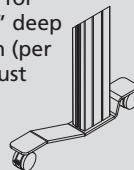


Table # _C
Caster Foot for 24" and 30" deep workstation (per column), must be ordered with table = \$91



NewHeights™ Finish Options

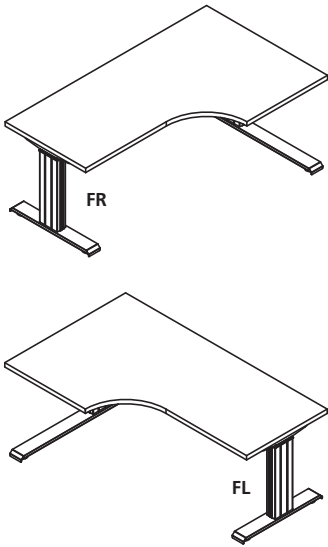


Note: When ordering NewHeights™, please add finish to end of model number.

Workstation with: Silver Base and Cherry Top
Example: N~~XT~~AAS243624SCH

See finishes page for additional laminate surface colors with a 2-4 week lead time.

Efficiente LT - Standard Base with Worksurface



Assembly #	Description	Base #	Worksurface #	List Price
Efficiente LT (NLT) Standard Base with Worksurface - 2 Leg L Shape F				
NLTAFS24364824	Std Base w/Worksurface 24x36x48x24	NLTBS364824	WS1F24364824	\$2,254
NLTAFS24366024	Std Base w/Worksurface 24x36x60x24	NLTBS366024	WS1F24366024	\$2,436
NLTAFS24367224	Std Base w/Worksurface 24x36x72x24	NLTBS367224	WS1F24367224	\$2,538
NLTAFS24424824	Std Base w/Worksurface 24x42x48x24	NLTBS364824	WS1F24424824	\$2,290
NLTAFS24426024	Std Base w/Worksurface 24x42x60x24	NLTBS366024	WS1F24426024	\$2,479
NLTAFS24427224	Std Base w/Worksurface 24x42x72x24	NLTBS367224	WS1F24427224	\$2,589
NLTAFS24483624	Std Base w/Worksurface 24x48x36x24	NLTBS244836	WS1F24483624	\$2,254
NLTAFS24484224	Std Base w/Worksurface 24x48x42x24	NLTBS244836	WS1F24484224	\$2,290
NLTAFS24603624	Std Base w/Worksurface 24x60x36x24	NLTBS246036	WS1F24603624	\$2,436
NLTAFS24604224	Std Base w/Worksurface 24x60x42x24	NLTBS246036	WS1F24604224	\$2,479
NLTAFS24723624	Std Base w/Worksurface 24x72x36x24	NLTBS247236	WS1F24723624	\$2,538
NLTAFS24724224	Std Base w/Worksurface 24x72x42x24	NLTBS247236	WS1F24724224	\$2,589
NLTAFS30426030	Std Base w/Worksurface 30x42x60x30	NLTBS366030	WS1F30426030	\$2,502
NLTAFS30427230	Std Base w/Worksurface 30x42x72x30	NLTBS367230	WS1F30427230	\$2,613
NLTAFS30604230	Std Base w/Worksurface 30x60x42x30	NLTBS306036	WS1F30604230	\$2,502
NLTAFS30724230	Std Base w/Worksurface 30x72x42x30	NLTBS307236	WS1F30724230	\$2,613
NLTAFS24426030	Std Base w/Worksurface 24x42x60x30	NLTBS366030	WS1F24426030	\$2,504
NLTAFS24427230	Std Base w/Worksurface 24x42x72x30	NLTBS367230	WS1F24427230	\$2,614
NLTAFS24603630	Std Base w/Worksurface 24x60x36x30	NLTBS246036	WS1F24603630	\$2,434
NLTAFS24604230	Std Base w/Worksurface 24x60x42x30	NLTBS246036	WS1F24604230	\$2,477
NLTAFS24723630	Std Base w/Worksurface 24x72x36x30	NLTBS247236	WS1F24723630	\$2,536
NLTAFS24724230	Std Base w/Worksurface 24x72x42x30	NLTBS247236	WS1F24724230	\$2,587
NLTAFS30366024	Std Base w/Worksurface 30x36x60x24	NLTBS366024	WS1F30366024	\$2,434
NLTAFS30367224	Std Base w/Worksurface 30x36x72x24	NLTBS367224	WS1F30367224	\$2,536
NLTAFS30426024	Std Base w/Worksurface 30x42x60x24	NLTBS366024	WS1F30426024	\$2,477
NLTAFS30427224	Std Base w/Worksurface 30x42x72x24	NLTBS367224	WS1F30427224	\$2,587
NLTAFS30604224	Std Base w/Worksurface 30x60x42x24	NLTBS306036	WS1F30604224	\$2,504
NLTAFS30724224	Std Base w/Worksurface 30x72x42x24	NLTBS307236	WS1F30724224	\$2,614

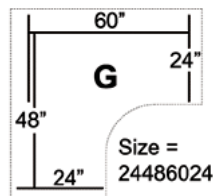
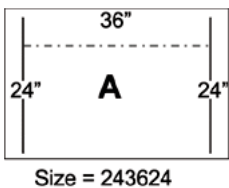
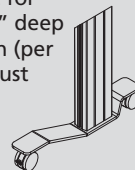


Table # _C
Caster Foot for 24" and 30" deep workstation (per column), must be ordered with table = **\$91**



NewHeights™ Finish Options

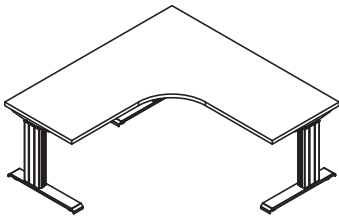


Note: When ordering NewHeights™, please add finish to end of model number.

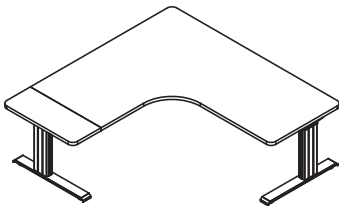
Workstation with: Silver Base and Cherry Top
Example: NXTAAS243624SCH

See finishes page for additional laminate surface colors with a 2-4 week lead time.

Efficiente LT - Standard Base with Worksurface

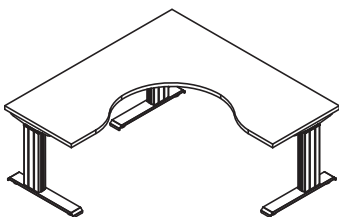


Model #	Description	List Price
Efficiente LT (NLT) Standard Base with Worksurface - 3 Leg L Shape G		
NLTAGS24486024	Std Base w/Worksurface 24x48x60x24	\$3,264
NLTAGS24487224	Std Base w/Worksurface 24x48x72x24	\$3,348
NLTAGS24604824	Std Base w/Worksurface 24x60x48x24	\$3,264
NLTAGS24606024	Std Base w/Worksurface 24x60x60x24	\$3,366
NLTAGS24607224	Std Base w/Worksurface 24x60x72x24	\$3,500
NLTAGS24724824	Std Base w/Worksurface 24x72x48x24	\$3,348
NLTAGS24726024	Std Base w/Worksurface 24x72x60x24	\$3,500
NLTAGS30486030	Std Base w/Worksurface 30x48x60x30	\$3,287
NLTAGS30487230	Std Base w/Worksurface 30x48x72x30	\$3,372
NLTAGS30604830	Std Base w/Worksurface 30x60x48x30	\$3,287
NLTAGS30606030	Std Base w/Worksurface 30x60x60x30	\$3,390
NLTAGS30607230	Std Base w/Worksurface 30x60x72x30	\$3,524
NLTAGS30724830	Std Base w/Worksurface 30x72x48x30	\$3,372
NLTAGS30726030	Std Base w/Worksurface 30x72x60x30	\$3,524



Efficiente LT (NLT) Standard Base with Worksurface - 3 Leg L with Seam Shape H		
NLTAHS24727224	Std Base w/Worksurface 24x72x72x24	\$3,709
NLTAHS30727230	Std Base w/Worksurface 30x72x72x30	\$3,738

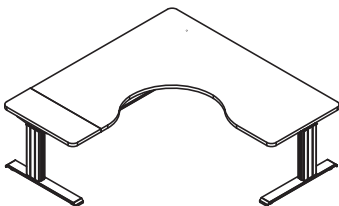
* L worksurfaces longer than 60" on both sides will have a seam on the longest side. If both are the same size, the seam will default to the left side.



Efficiente LT (NLT) Standard Base with Worksurface - Cockpit Shape I		
NLTAIS24606024	Std Base w/Worksurface 24x60x60x24	\$3,375
NLTAIS24607224	Std Base w/Worksurface 24x60x72x24	\$3,510
NLTAIS24726024	Std Base w/Worksurface 24x72x60x24	\$3,510
NLTAIS30606030	Std Base w/Worksurface 30x60x60x30	\$3,399
NLTAIS30607230	Std Base w/Worksurface 30x60x72x30	\$3,533
NLTAIS30726030	Std Base w/Worksurface 30x72x60x30	\$3,533

Efficiente LT keyboard arm options for Shapes I and J:

- 30" deep worksurface – CFP17 Compact Fast Action & VS17 Value Swivel (17" maximum track length)
- 24" deep worksurface – TLF Trackless Fast Action



Efficiente LT (NLT) Standard Base with Worksurface - Cockpit with Seam Shape J		
NLTAJS24727224	Std Base w/Worksurface 24x72x72x24	\$3,718
NLTAJS30727230	Std Base w/Worksurface 30x72x72x30	\$3,747

* L worksurfaces longer than 60" on both sides will have a seam on the longest side. If both are the same size, the seam will default to the left side.

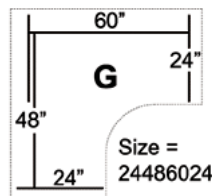
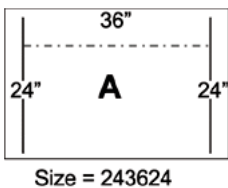
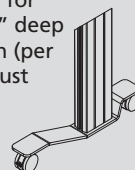


Table #_C
Caster Foot for 24" and 30" deep workstation (per column), must be ordered with table = \$91



NewHeights™ Finish Options

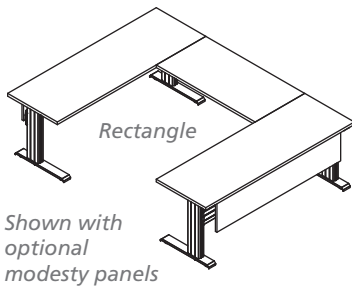
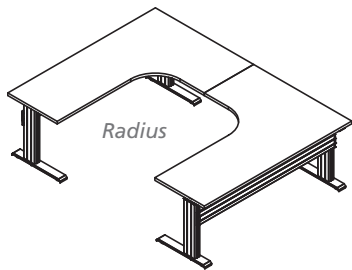


Note: When ordering NewHeights™, please add finish to end of model number.

Workstation with: Silver Base and Cherry Top
Example: NXXTAA5243624SCH

See finishes page for additional laminate surface colors with a 2-4 week lead time.

Eficiente LT - Electric Height Adjustable U-Shape



Model #	Description	List Price
Base Only for U-Shape Table		
NLTBUS2460966024	Eficiente U-shape Base Std Foot 24"x60"x96"x60"x24"	\$3,297
NLTBUS2472967224	Eficiente U-shape Base Std Foot 24"x72"x96"x72"x24"	\$3,361

Radius Shape - 60 x 96 x 60		
WS1G24604824	Worksurface 3 Leg L Shape 24x60x48x24	\$800
WS1G24604824	Worksurface 3 Leg L Shape 24x60x48x24	\$800
NLTBUS2460966024	Eficiente U-shape Base Std Foot 24"x60"x96"x60"x24"	\$3,297
TOTAL		\$4,897

Radius Shape - 72 x 96 x 72		
WS1G24724824	Worksurface 3 Leg L Shape 24x72x48x24	\$884
WS1G24724824	Worksurface 3 Leg L Shape 24x72x48x24	\$884
NLTBUS2472967224	Eficiente U-shape Base Std Foot 24"x72"x96"x72"x24"	\$3,361
TOTAL		\$5,129

Radius Shape - 84 x 96 x 84		
WS1G24844824	Worksurface 3 Leg L Shape 24x84x48x24	\$1,340
WS1G24844824	Worksurface 3 Leg L Shape 24x84x48x24	\$1,340
NLTBUS2472967224	Eficiente U-shape Base Std Foot 24"x72"x96"x72"x24"	\$3,361
TOTAL		\$6,041

Rectangle Shape - 60 x 96 x 60		
WS1A246024	Worksurface Rectangle 24"x60"x24"	\$296
WS1A246024	Worksurface Rectangle 24"x60"x24"	\$296
WS1A244824	Worksurface Rectangle 24"x48"x24"	\$219
NLTBUS2460966024	Eficiente U-shape Base Std Foot 24"x60"x96"x60"x24"	\$3,297
TOTAL		\$4,216

Rectangle Shape - 72 x 96 x 72		
WS1A247224	Worksurface Rectangle 24"x72"x24"	\$318
WS1A247224	Worksurface Rectangle 24"x72"x24"	\$318
WS1A244824	Worksurface Rectangle 24"x48"x24"	\$219
NLTBUS2472967224	Eficiente U-shape Base Std Foot 24"x72"x96"x72"x24"	\$3,361
TOTAL		\$4,630

Rectangle Shape - 84 x 96 x 84		
WS1A248424	Worksurface Rectangle 24"x84"x24"	\$525
WS1A248424	Worksurface Rectangle 24"x84"x24"	\$525
WS1A244824	Worksurface Rectangle 24"x48"x24"	\$219
NLTBUS2472967224	Eficiente U-shape Base Std Foot 24"x72"x96"x72"x24"	\$3,361
TOTAL		\$4,630

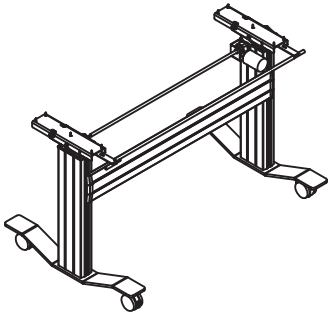
Rectangle Shape - 84 x 84 x 84		
WS1A248424	Worksurface Rectangle 24"x84"x24"	\$525
WS1A248424	Worksurface Rectangle 24"x84"x24"	\$525
WS1A243624	Worksurface Rectangle 24"x36"x24"	\$170
NLTBUS2472967224	Eficiente U-shape Base Std Foot 24"x72"x96"x72"x24"	\$3,361
TOTAL		\$4,581

Modesty Panels		
60MOD	3/4" Modesty Panel - 48" x 12" with 3 Mounting Brackets (Thermally Fused)	\$218
72MOD	3/4" Modesty Panel - 60" x 12" with 3 Mounting Brackets (Thermally Fused)	\$244

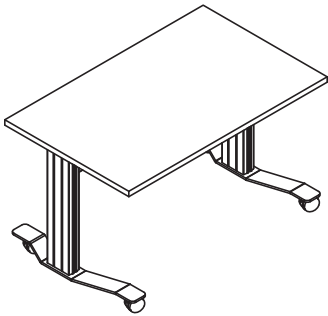
Eficiente LT - Electric Height Adjustable Flip Marker Board

Keep track of ideas and assignments with a dry erase board that flips and fits your space. Electric base adjusts quickly and quietly with the gentle push of a button.

- Height Range: 27" - 47" H.
- Total Lifting Capacity Base Only: 250 pounds.
- Height Adjustment: 1.5 inches per second.
- Under Desk Clearance: 25.875" low to 45.875" high.
- Dry erase flip worksurface.
- Base Color: black or silver with casters.



Model #	Description	List Price
Base Only		
NLFBC303630	Eficiente Flip Base Cntr Caster Foot 30x36x30	\$2,081
NLFBC304830	Eficiente Flip Base Cntr Caster Foot 30x48x30	\$2,130
NLFBC306030	Eficiente Flip Base Cntr Caster Foot 30x60x30	\$2,130
NLFBC307230	Eficiente Flip Base Cntr Caster Foot 30x72x30	\$2,162



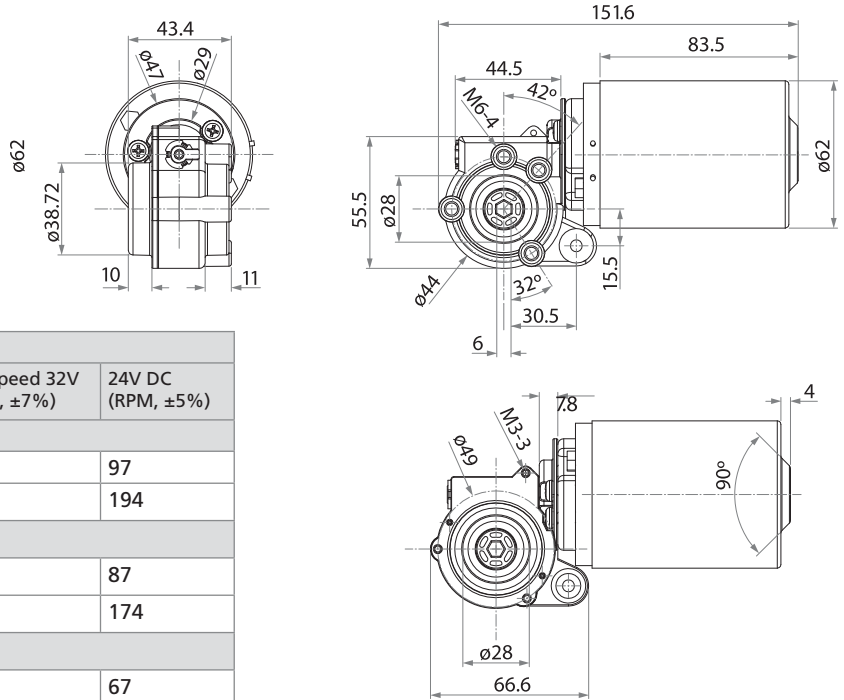
Base with Worksurface				
NLFAAC303630	Eficiente Base with Flip Marker Board Worksurface 30"x36"x30"	NLFBC303630	WS9C303630MB	\$2,484
NLFAAC304830	Eficiente Base with Flip Marker Board Worksurface 30"x48"x30"	NLFBC304830	WS9C304830MB	\$2,659
NLFAAC306030	Eficiente Base with Flip Marker Board Worksurface 30"x60"x30"	NLFBC306030	WS9C306030MB	\$2,887
NLFAAC307230	Eficiente Base with Flip Marker Board Worksurface 30"x72"x30"	NLFBC307230	WS9C307230MB	\$2,943

High Pressure Marker Board Worksurface Only		
WS9C303630MB	Rectangle 30"x36"x30" HPL White Marker Board Worksurface	\$403
WS9C304830MB	Rectangle 30"x48"x30" HPL White Marker Board Worksurface	\$529
WS9C306030MB	Rectangle 30"x60"x30" HPL White Marker Board Worksurface	\$757
WS9C307230MB	Rectangle 30"x72"x30" HPL White Marker Board Worksurface	\$781

Thermally Fused Worksurface Only		
WS9C303630	Worksurface Thermally Fused Rectangle 30"x36"x30"	\$183
WS9C304830	Worksurface Thermally Fused Rectangle 30"x48"x30"	\$235
WS9C306030	Worksurface Thermally Fused Rectangle 30"x60"x30"	\$322
WS9C307230	Worksurface Thermally Fused Rectangle 30"x72"x30"	\$339

Eficiente LT - Technical Data

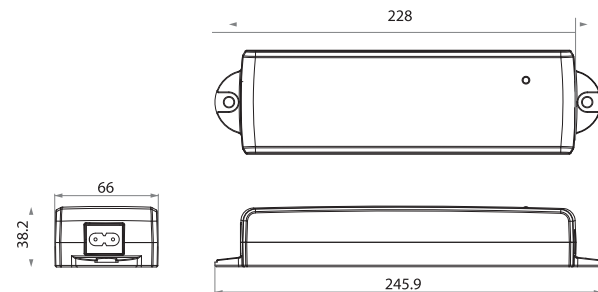
Eficiente LT Motor	
Voltage of motor	24V DC or 24V DC (UL)
Maximum speed	260RPM (±7%) after gear reduction
Torque	6.8Nm after gear reduction
Certificate	UL (motor only)
Option	Option Hall sensor(s)
Hexogen hole for the shaft by 6mm diameter	
Low noise	



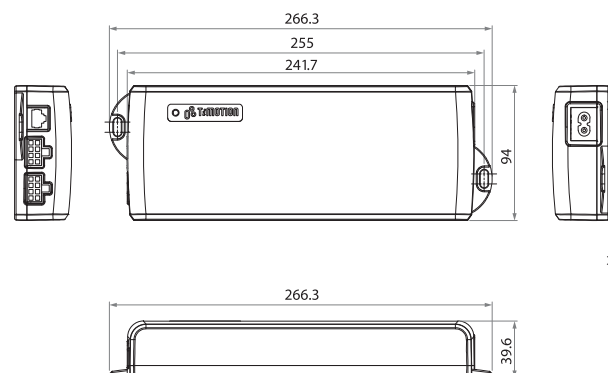
Eficiente LT Motor Load and Speed					
CODE	Rated Load Torque (Nm)	Speed (RPM, ±5%)	Typical Current at Rated Load (A)	Typical Speed 32V DC (RPM, ±7%)	24V DC (RPM, ±5%)
Motor Speed (3800RPM)					
A	6.8	78	4.5	130	97
D	3.5	156	4.5	260	194
Motor Speed (3400RPM)					
B	6.8	69	3.5	116	87
E	3.5	128	3.5	232	174
Motor Speed (2600RPM)					
C	6.1	51	3.0	89	67
F	3.0	02	3.0	178	134

Click below to open switch and control box manuals

[Programmable Switch](#)
 [Two Button Switch](#)
 [Control Box](#)



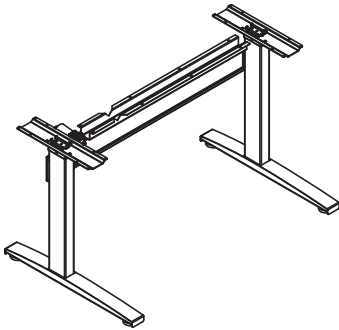
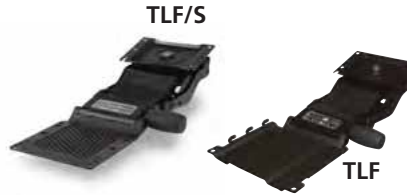
2 Leg Eficiente LT Control Box	
Built-in transformer type	SMPS
Maximum output	29V DC, 2.5A
Plug support	EU, USA, AUS, UK, JPN, or customized
Number of actuators	One
Standby power consumption	0.06W



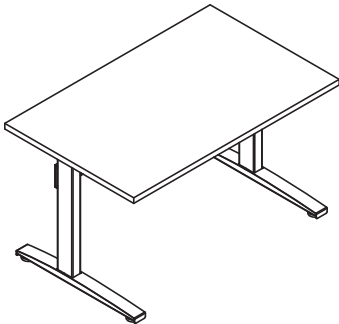
3 Leg Eficiente LT Control Box	
Built-in transformer type	SMPS
Maximum output	29V DC, 10.0A
Plug support	EU, USA, AUS, UK, JPN, or customized
Number of actuators	Two
Standby power consumption	0.06W

Bonita ET - Electric Height Adjustable Base and Worksurface

- Height Range: 27" - 47" H.
- Total Lifting Capacity Base Only: 250 pounds 2-leg
- Height Adjustment: 1.5 inches per second.
- Available with worksurface or base only.
- Standard depth 24" and 30".
- Mounting clearance (depth) for under desk accessories
(note: any length track system can be mounted on an angle):
24" workstation is 14" 30" workstation is 17".
- Recommend only the trackless keyboard arm system (TLF).



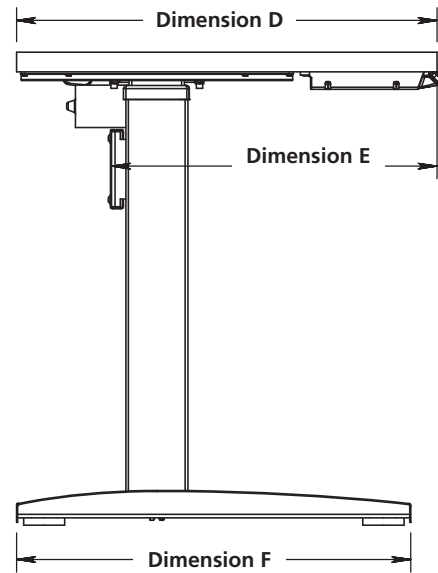
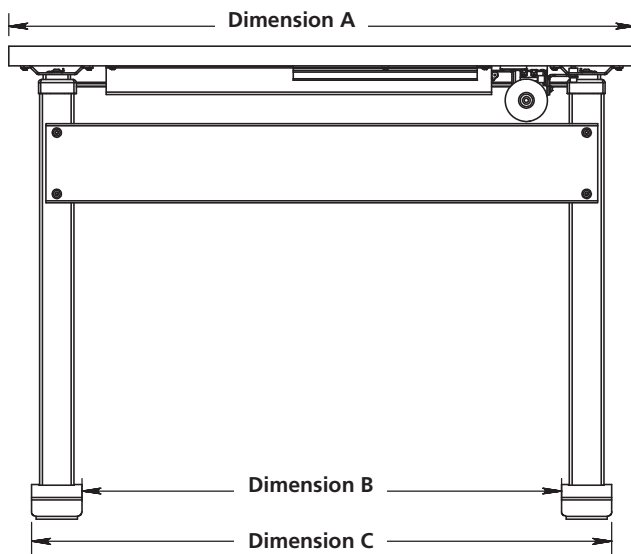
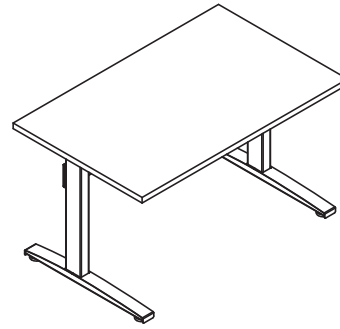
Model #	Description	List Price
Base Only		
NETBS243624	Bonita Standard Base 24" x36" x24"	\$1,145
NETBS244824	Bonita Standard Base 24" x48" x24"	\$1,155
NETBS246024	Bonita Standard Base 24" x60" x24"	\$1,165
NETBS247224	Bonita Standard Base 24" x72" x24"	\$1,240
NETBS303630	Bonita Standard Base 30" x36" x30"	\$1,155
NETBS304830	Bonita Standard Base 30" x48" x30"	\$1,165
NETBS306030	Bonita Standard Base 30" x60" x30"	\$1,175
NETBS307230	Bonita Standard Base 30" x72" x30"	\$1,250



Base with Worksurface				
NETAAS243624	Bonita Std Base with Worksurface Rectangle 24" x36" x24"	NETBS243624	WS1A243624	\$1,315
NETAAS244824	Bonita Std Base with Worksurface Rectangle 24" x48" x24"	NETBS244824	WS1A244824	\$1,374
NETAAS246024	Bonita Std Base with Worksurface Rectangle 24" x60" x24"	NETBS246024	WS1A246024	\$1,461
NETAAS247224	Bonita Std Base with Worksurface Rectangle 24" x72" x24"	NETBS247224	WS1A247224	\$1,558
NETAAS303630	Bonita Std Base with Worksurface Rectangle 30" x36" x30"	NETBS303630	WS1A303630	\$1,338
NETAAS304830	Bonita Std Base with Worksurface Rectangle 30" x48" x30"	NETBS304830	WS1A304830	\$1,400
NETAAS306030	Bonita Std Base with Worksurface Rectangle 30" x60" x30"	NETBS306030	WS1A306030	\$1,497
NETAAS307230	Bonita Std Base with Worksurface Rectangle 30" x72" x30"	NETBS307230	WS1A307230	\$1,589

Castors		
LPL37-S	Add On Locking Caster-Low Profile (soft surface) raises approx. 1.875" (\$/ea)	\$21
LPN37-S	Add On Non-Locking Caster-Low Profile (soft surface) raises approx. 1.875" (\$/ea)	\$21

Bonita ET - Workstation Dimensions

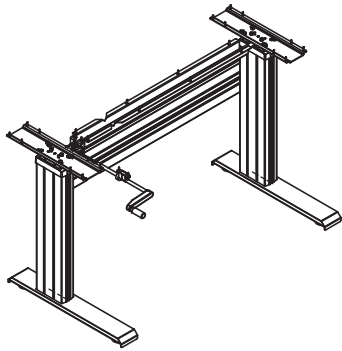


NewHeights Bonita Workstation Dimensions						
Workstation Size	Dimension A	Dimension B	Dimension C	Dimension D	Dimension E	Dimension F
24 x 36	36	27.375	33.125	24	18.500	22.500
24 x 48	48	39.375	45.125	24	18.500	22.500
24 x 60	60	51.375	57.125	24	18.500	22.500
24 x 72	72	63.375	69.125	24	18.500	22.500
30 x 36	36	27.375	33.125	30	21.500	27.50
30 x 48	48	39.375	45.125	30	21.500	27.50
30 x 60	60	51.375	57.125	30	21.500	27.50
30 x 72	72	63.375	69.125	30	21.500	27.50

Levante - Counterbalance Height Adjustable Bases

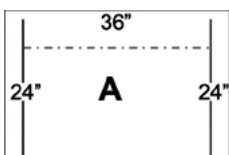
Uniquely fast travel speed, while requiring **zero** electrical power.

- Height Range: 28" - 47" H.
- Lifting Capacity Base Only: base lifts up to 150 lbs.
- Height Adjustment: 1.4 inches per rotation.
- Under Desk Clearance: 25.875" low to 44.875" high.
- Mounting clearance (depth) for under desk accessories (note: any length track system can be mounted on an angle):
24" workstation is 14" — 30" workstation is 17"
- Available with worksurface or base only.
- Bases available for 24" and 30" deep worksurfaces.
- Custom size worksurfaces available.
- Base Color: black or silver.
- Worksurface: ten standard thermally-fused options, high-pressure laminate and custom colors available.



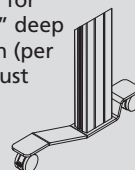
Model #	Description	List Price
Standard Base Only 2-Leg		
NZPBS243024	Levante Standard Base 24" x30" x24"	\$1,721
NZPBS243624	Levante Standard Base 24" x36" x24"	\$1,721
NZPBS244224	Levante Standard Base 24" x42" x24"	\$1,810
NZPBS244824	Levante Standard Base 24" x48" x24"	\$1,810
NZPBS246024	Levante Standard Base 24" x60" x24"	\$1,810
NZPBS247224	Levante Standard Base 24" x72" x24"	\$1,908
NZPBS303630	Levante Standard Base 30" x36" x30"	\$1,748
NZPBS304230	Levante Standard Base 30" x42" x30"	\$1,837
NZPBS304830	Levante Standard Base 30" x48" x30"	\$1,837
NZPBS306030	Levante Standard Base 30" x60" x30"	\$1,837
NZPBS307230	Levante Standard Base 30" x72" x30"	\$1,934

Caster Foot Base Only 2-Leg		
NZPBC243024	Levante Caster Foot Base 24" x30" x24"	\$1,903
NZPBC243624	Levante Caster Foot Base 24" x36" x24"	\$1,903
NZPBC244224	Levante Caster Foot Base 24" x42" x24"	\$1,992
NZPBC244824	Levante Caster Foot Base 24" x48" x24"	\$1,992
NZPBC246024	Levante Caster Foot Base 24" x60" x24"	\$1,992
NZPBC247224	Levante Caster Foot Base 24" x72" x24"	\$2,090
NZPBC303630	Levante Caster Foot Base 30" x36" x30"	\$1,930
NZPBC304230	Levante Caster Foot Base 30" x42" x30"	\$2,019
NZPBC304830	Levante Caster Foot Base 30" x48" x30"	\$2,019
NZPBC306030	Levante Caster Foot Base 30" x60" x30"	\$2,019
NZPBC307230	Levante Caster Foot Base 30" x72" x30"	\$2,116



Size = 243624

Table # _C
Caster Foot for 24" and 30" deep workstation (per column), must be ordered with table = **\$91**



NewHeights™ Finish Options

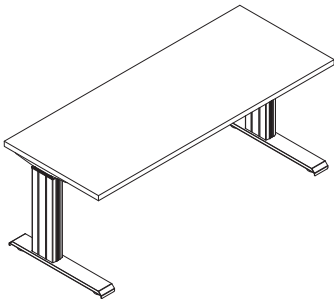


Note: When ordering NewHeights™, please add finish to end of model number.

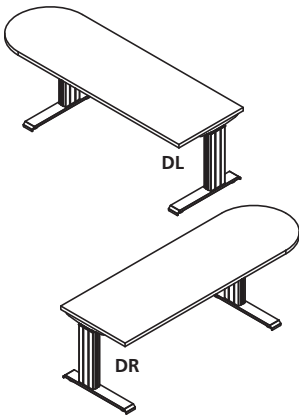
Workstation with: Silver Base and Cherry Top
Example: N~~XT~~AAS243624SCH

See finishes page for additional laminate surface colors with a 2-4 week lead time.

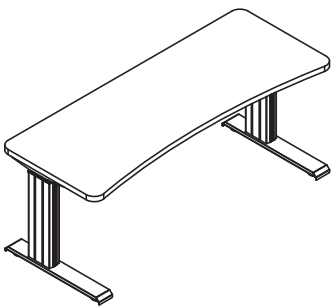
Levante - Standard Base with Worksurface



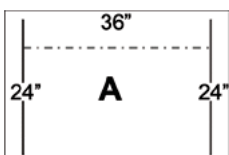
Assembly #	Description	Base #	Worksurface #	List Price
Levante (NZP) Standard Base with Worksurface - Rectangle Shape A				
NZPAAS243624	Std Base w/Worksurface 24"x36"x24"	NZPBS243624	WS1A243624	\$1,891
NZPAAS244224	Std Base w/Worksurface 24"x42"x24"	NZPBS244224	WS1A244224	\$2,021
NZPAAS244824	Std Base w/Worksurface 24"x48"x24"	NZPBS244824	WS1A244824	\$2,029
NZPAAS246024	Std Base w/Worksurface 24"x60"x24"	NZPBS246024	WS1A246024	\$2,106
NZPAAS247224	Std Base w/Worksurface 24"x72"x24"	NZPBS247224	WS1A247224	\$2,226
NZPAAS303630	Std Base w/Worksurface 30"x36"x30"	NZPBS303630	WS1A303630	\$1,931
NZPAAS304230	Std Base w/Worksurface 30"x42"x30"	NZPBS304230	WS1A304230	\$2,063
NZPAAS304830	Std Base w/Worksurface 30"x48"x30"	NZPBS304830	WS1A304830	\$2,072
NZPAAS306030	Std Base w/Worksurface 30"x60"x30"	NZPBS306030	WS1A306030	\$2,159
NZPAAS307230	Std Base w/Worksurface 30"x72"x30"	NZPBS307230	WS1A307230	\$2,273



Levante (NZP) Standard Base with Worksurface - Peninsula Shape D				
NZPADLS306030	Std Base w/Worksurface Left Radius 30"x60"x30"	NZPBS304230	WS1DL306030	\$2,193
NZPADLS307230	Std Base w/Worksurface Left Radius 30"x72"x30"	NZPBS306030	WS1DL307230	\$2,216
NZPADRS306030	Std Base w/Worksurface Right Radius 30"x60"x30"	NZPBS304230	WS1DR306030	\$2,193
NZPADRS307230	Std Base w/Worksurface Right Radius 30"x72"x30"	NZPBS306030	WS1DR307230	\$2,216

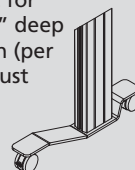


Levante (NZP) Standard Base with Worksurface - Bow Front Shape E				
NZPAES243624R	Bow Front 24x36x24 Radius Corner	NZPBS243624	WS1E243624R	\$1,924
NZPAES244824R	Bow Front 24x48x24 Radius Corner	NZPBS244824	WS1E244824R	\$2,069
NZPAES246024R	Bow Front 24x60x24 Radius Corner	NZPBS246024	WS1E246024R	\$2,154
NZPAES247224R	Bow Front 24x72x24 Radius Corner	NZPBS247224	WS1E247224R	\$2,280
NZPAES303630R	Bow Front 30x36x30 Radius Corner	NZPBS303630	WS1E303630R	\$1,968
NZPAES304830R	Bow Front 30x48x30 Radius Corner	NZPBS304830	WS1E304830R	\$2,116
NZPAES306030R	Bow Front 30x60x30 Radius Corner	NZPBS306030	WS1E306030R	\$2,210
NZPAES307230R	Bow Front 30x72x30 Radius Corner	NZPBS307230	WS1E307230R	\$2,330



Size = 243624

Table # _C
Caster Foot for 24" and 30" deep workstation (per column), must be ordered with table = **\$91**



NewHeights™ Finish Options



Note: When ordering NewHeights™, please add finish to end of model number.

Workstation with: Silver Base and Cherry Top
Example: N~~XT~~AAS243624SCH

See finishes page for additional laminate surface colors with a 2-4 week lead time.

Levante - Counterbalance Conference Table

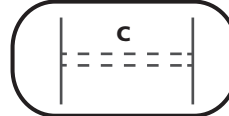
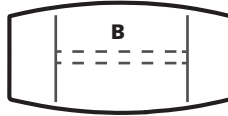
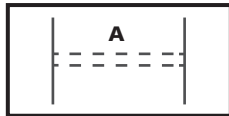
Uniquely fast travel speed, while requiring **zero** electrical power.

- Height Range: 28" - 47" H.
- Height Adjustment: 1.4 inches per rotation.
- Available with worksurface or base only.
- Custom size worksurfaces available.
- Base Color: black or silver.
- Worksurface: ten standard thermally-fused options, high-pressure laminate and custom colors available.

NewHeights™ Levante Conference Table Shapes

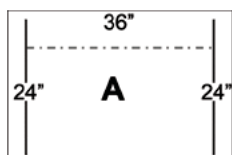
Sizes can be adjusted to fit your needs.

- A** Rectangle
- B** Boat
- C** Oval



Model #	Description	List Price
Base Only		
NZCBS303630	Base 30"x36"x30"	\$1,995
NZCBS304830	Base 30"x48"x30"	\$2,122
NZCBS306030	Base 30"x60"x30"	\$2,158
NZCBS307230	Base 30"x72"x30"	\$2,293
NZCBS373637	Base 37"x36"x37"	\$1,995
NZCBS374837	Base 37"x48"x37"	\$2,122
NZCBS376037	Base 37"x60"x37"	\$2,158
NZCBS377237	Base 37"x72"x37"	\$2,293

Assembly #	Description	Base #	Worksurface #	List Price
Base with Worksurface - Rectangle				
NZCAAS366036	36"x60"x36"	NZCBS303630	WS4A366036	\$2,697
NZCAAS367236	36"x72"x36"	NZCBS304830	WS4A367236	\$2,891
NZCAAS368436	36"x84"x36"	NZCBS304830	WS4A368436	\$3,329
NZCAAS427242	42"x72"x42"	NZCBS304830	WS4A427242	\$2,940
NZCAAS428442	42"x84"x42"	NZCBS304830	WS4A428442	\$3,386
NZCAAS429642	42"x96"x42"	NZCBS306030	WS4A429642	\$3,483
Base with Worksurface - Boat				
NZCABS368436	36"x84"x36"	NZCBS304830	WS4B368436	\$3,371
NZCABS427242	42"x72"x42"	NZCBS304830	WS4B427242	\$2,975
Base with Worksurface - Oval				
NZCACS428442	42"x84"x42"	NZCBS304830	WS4C428442	\$3,425



Size = 243624

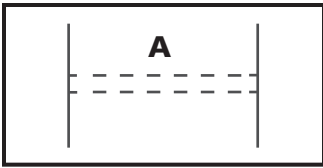
NewHeights™ Finish Options

Note: When ordering NewHeights™, please add finish to end of model number.

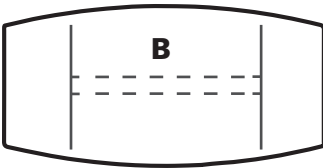
Workstation with:
Silver Base and Cherry Top
Example: NXTAAS243624**SCH**

See finishes page for additional laminate surface colors with a 2-4 week lead time.

Worksurface ONLY - Levante Conference Table



Model #	Description	List Price
Worksurface Type4 1-1/8" Rectangle		
WS4A306030	30"x60"x30"	\$322
WS4A307230	30"x72"x30"	\$339
WS4A308430	30"x84"x30"	\$566
WS4A309630	30"x96"x30"	\$584
WS4A366036	36"x60"x36"	\$702
WS4A367236	36"x72"x36"	\$769
WS4A368436	36"x84"x36"	\$1,207
WS4A369636	36"x96"x36"	\$1,262
WS4A426042	42"x60"x42"	\$743
WS4A427242	42"x72"x42"	\$818
WS4A428442	42"x84"x42"	\$1,264
WS4A429642	42"x96"x42"	\$1,325
WS4A487248	48"x72"x48"	\$868
WS4A488448	48"x84"x48"	\$1,320
WS4A489648	48"x96"x48"	\$1,393
WS4A4810848	48"x108"x48"	\$1,462
WS4A4812048	48"x120"x48"	\$1,530
WS4A547254	54"x72"x54"	\$926
WS4A548454	54"x84"x54"	\$1,352
WS4A549654	54"x96"x54"	\$1,445
WS4A5410854	54"x108"x54"	\$1,533
WS4A5412054	54"x120"x54"	\$1,622
WS4A607260	60"x72"x60"	\$984
WS4A608460	60"x84"x60"	\$1,419
WS4A609660	60"x96"x60"	\$1,520
WS4A6010860	60"x108"x60"	\$1,617
WS4A6012060	60"x120"x60"	\$1,717



Model #	Description	List Price
Worksurface Type4 1-1/8" Boat		
WS4B306030	30"x60"x30"	\$351
WS4B307230	30"x72"x30"	\$374
WS4B308430	30"x84"x30"	\$609
WS4B309630	30"x96"x30"	\$633
WS4B366036	36"x60"x36"	\$730
WS4B367236	36"x72"x36"	\$804
WS4B368436	36"x84"x36"	\$1,249
WS4B369636	36"x96"x36"	\$1,311
WS4B426042	42"x60"x42"	\$772
WS4B427242	42"x72"x42"	\$853
WS4B428442	42"x84"x42"	\$1,306
WS4B429642	42"x96"x42"	\$1,374
WS4B487248	48"x72"x48"	\$903

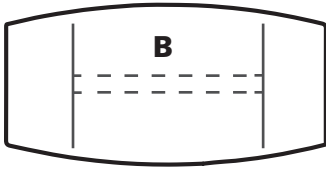
NewHeights™ Finish Options

Note: When ordering NewHeights™, please add finish to end of model number.

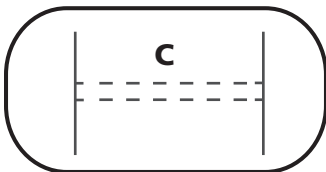
Workstation with:
Silver Base and Cherry Top
Example: NXXTAA5243624SCH

See finishes page for additional laminate surface colors with a 2-4 week lead time.

Worksurface ONLY - Levante Conference Table



Model #	Description	List Price
Worksurface Type4 1-1/8" Boat		
WS4B488448	48"x84"x48"	\$1,362
WS4B489648	48"x96"x48"	\$1,441
WS4B4810848	48"x108"x48"	\$1,517
WS4B4812048	48"x120"x48"	\$1,592
WS4B547254	54"x72"x54"	\$961
WS4B548454	54"x84"x54"	\$1,394
WS4B549654	54"x96"x54"	\$1,494
WS4B5410854	54"x108"x54"	\$1,589
WS4B5412054	54"x120"x54"	\$1,684
WS4B607260	60"x72"x60"	\$1,019
WS4B608460	60"x84"x60"	\$1,461
WS4B609660	60"x96"x60"	\$1,568
WS4B6010860	60"x108"x60"	\$1,672
WS4B6012060	60"x120"x60"	\$1,780



Worksurface Type4 1-1/8" Oval		
WS4C308430	30"x84"x30"	\$609
WS4C309630	30"x96"x30"	\$634
WS4C366036	36"x60"x36"	\$729
WS4C367236	36"x72"x36"	\$802
WS4C368436	36"x84"x36"	\$1,247
WS4C369636	36"x96"x36"	\$1,310
WS4C426042	42"x60"x42"	\$770
WS4C427242	42"x72"x42"	\$851
WS4C428442	42"x84"x42"	\$1,303
WS4C429642	42"x96"x42"	\$1,371
WS4C487248	48"x72"x48"	\$901
WS4C488448	48"x84"x48"	\$1,359
WS4C489648	48"x96"x48"	\$1,438
WS4C4810848	48"x108"x48"	\$1,513
WS4C4812048	48"x120"x48"	\$1,589
WS4C547254	54"x72"x54"	\$958
WS4C548454	54"x84"x54"	\$1,390
WS4C549654	54"x96"x54"	\$1,489
WS4C5410854	54"x108"x54"	\$1,584
WS4C5412054	54"x120"x54"	\$1,680
WS4C607260	60"x72"x60"	\$1,018
WS4C608460	60"x84"x60"	\$1,458
WS4C609660	60"x96"x60"	\$1,564
WS4C6010860	60"x108"x60"	\$1,667
WS4C6012060	60"x120"x60"	\$1,773
WS4C6012060	60"x120"x60"	\$1,773

NewHeights™ Finish Options

Note: When ordering NewHeights™, please add finish to end of model number.

Workstation with:
Silver Base and Cherry Top
Example: NXTAAS243624SCH

See finishes page for additional laminate surface colors with a 2-4 week lead time.

Black Base Cherry Top (BCH) *Silver Base Hardrock Maple Top (SHM)*

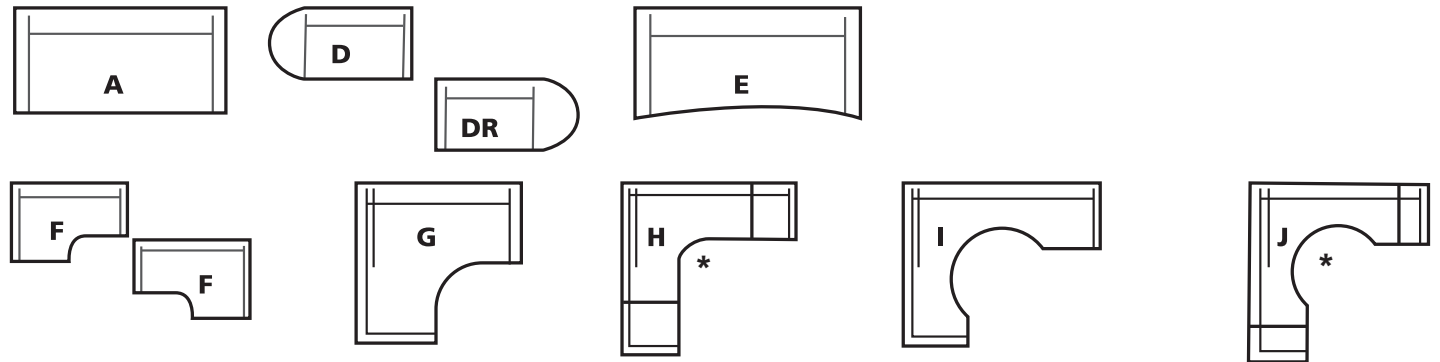
Vuelta - Crank Height Adjustable Bases

Crank height units offer an affordable sit-to-stand workstation option.

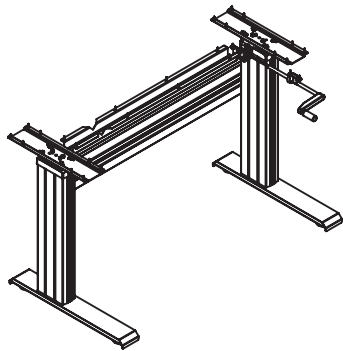
- Height Range: 27" - 47" H.
- Lifting Capacity Base Only: 125 pounds per column.
- Height Adjustment: six turns per inch.
- Under Desk Clearance: 25.875" low to 45.875" high.
- Mounting clearance (depth) for under desk accessories (note: any length track system can be mounted on an angle):
24" workstation is 14" — 30" workstation is 17"
- Available with worksurface or base only.
- Bases available for 24" and 30" deep worksurfaces.
- Custom size worksurfaces available.
- Base Color: black or silver.
- Worksurface: ten standard thermally-fused options, high-pressure laminate and custom colors available.

NewHeights™ Vuelta Shapes Sizes can be adjusted to fit your needs.

- A** Rectangle
- D** Peninsula, left and right radius
- E** Bow Front
- F** 2-Leg L
- G** 3-Leg L
- H** 3-Leg L Seam*
- I** Cockpit
- J** Cockpit Seam*



* L worksurfaces longer than 60" on both sides will have a seam on the longest side. If both are the same size, the seam will default to the left side.

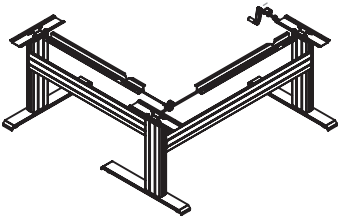


Model #	Description	List Price
Standard Base Only 2-Leg		
NCRBS243024	Vuelta Standard Base 24"x30"x24"	\$1,513
NCRBS243624	Vuelta Standard Base 24"x36"x24"	\$1,513
NCRBS244824	Vuelta Standard Base 24"x48"x24"	\$1,561
NCRBS246024	Vuelta Standard Base 24"x60"x24"	\$1,561
NCRBS247224	Vuelta Standard Base 24"x72"x24"	\$1,594
NCRBS303630	Vuelta Standard Base 30"x36"x30"	\$1,540
NCRBS304230	Vuelta Standard Base 30"x42"x30"	\$1,588
NCRBS304830	Vuelta Standard Base 30"x48"x30"	\$1,588
NCRBS306030	Vuelta Standard Base 30"x60"x30"	\$1,588
NCRBS307230	Vuelta Standard Base 30"x72"x30"	\$1,621
NCRBS244836	Vuelta Standard Base 24"x48"x36"	\$1,649
NCRBS246036	Vuelta Standard Base 24"x60"x36"	\$1,649
NCRBS247236	Vuelta Standard Base 24"x72"x36"	\$1,682
NCRBS304836	Vuelta Standard Base 30"x48"x36"	\$1,676
NCRBS306036	Vuelta Standard Base 30"x60"x36"	\$1,676
NCRBS307236	Vuelta Standard Base 30"x72"x36"	\$1,709
NCRBS364824	Vuelta Standard Base 36"x48"x24"	\$1,649
NCRBS366024	Vuelta Standard Base 36"x60"x24"	\$1,649
NCRBS367224	Vuelta Standard Base 36"x72"x24"	\$1,682
NCRBS364830	Vuelta Standard Base 36"x48"x30"	\$1,676
NCRBS366030	Vuelta Standard Base 36"x60"x30"	\$1,676
NCRBS367230	Vuelta Standard Base 36"x72"x30"	\$1,709

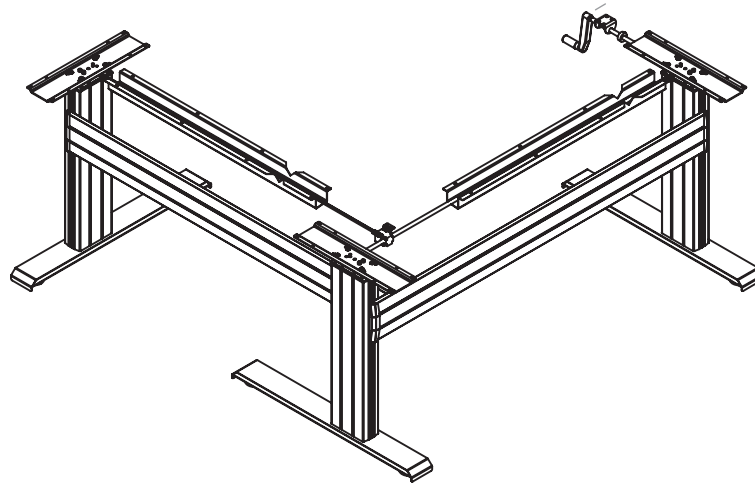
Vuelta - Crank Height Adjustable Bases

Model #	Description	List Price
Caster Foot Base Only 2-Leg		
NCRBC243024	Vuelta Caster Foot Base 24"x30"x24"	\$1,695
NCRBC243624	Vuelta Caster Foot Base 24"x36"x24"	\$1,695
NCRBC244824	Vuelta Caster Foot Base 24"x48"x24"	\$1,743
NCRBC246024	Vuelta Caster Foot Base 24"x60"x24"	\$1,743
NCRBC247224	Vuelta Caster Foot Base 24"x72"x24"	\$1,776
NCRBC303630	Vuelta Caster Foot Base 30"x36"x30"	\$1,722
NCRBC304230	Vuelta Caster Foot Base 30"x42"x30"	\$1,770
NCRBC304830	Vuelta Caster Foot Base 30"x48"x30"	\$1,770
NCRBC306030	Vuelta Caster Foot Base 30"x60"x30"	\$1,770
NCRBC307230	Vuelta Caster Foot Base 30"x72"x30"	\$1,803

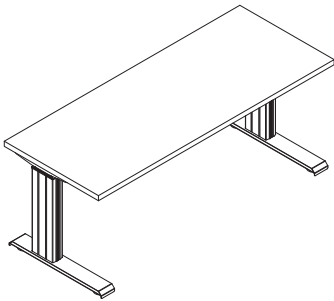
Vuelta - Crank Height Adjustable Bases



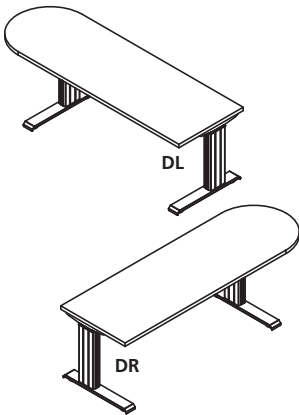
Model #	Description	List Price
Standard Base Only 3-Leg		
NCRBLS24484824	Vuelta Standard Base L Shape 24" x48" x48" x24"	\$2,357
NCRBLS24486024	Vuelta Standard Base L Shape 24" x48" x60" x24"	\$2,357
NCRBLS24487224	Vuelta Standard Base L Shape 24" x48" x72" x24"	\$2,357
NCRBLS24604824	Vuelta Standard Base L Shape 24" x60" x48" x24"	\$2,357
NCRBLS24606024	Vuelta Standard Base L Shape 24" x60" x60" x24"	\$2,357
NCRBLS24607224	Vuelta Standard Base L Shape 24" x60" x72" x24"	\$2,406
NCRBLS24724824	Vuelta Standard Base L Shape 24" x72" x48" x24"	\$2,357
NCRBLS24726024	Vuelta Standard Base L Shape 24" x72" x60" x24"	\$2,406
NCRBLS24727224	Vuelta Standard Base L Shape 24" x72" x72" x24"	\$2,406
NCRBLS30484830	Vuelta Standard Base L Shape 30" x48" x48" x30"	\$2,397
NCRBLS30486030	Vuelta Standard Base L Shape 30" x48" x60" x30"	\$2,397
NCRBLS30487230	Vuelta Standard Base L Shape 30" x48" x72" x30"	\$2,397
NCRBLS30604830	Vuelta Standard Base L Shape 30" x60" x48" x30"	\$2,397
NCRBLS30606030	Vuelta Standard Base L Shape 30" x60" x60" x30"	\$2,397
NCRBLS30607230	Vuelta Standard Base L Shape 30" x60" x72" x30"	\$2,448
NCRBLS30724830	Vuelta Standard Base L Shape 30" x72" x48" x30"	\$2,397
NCRBLS30726030	Vuelta Standard Base L Shape 30" x72" x60" x30"	\$2,448
NCRBLS30727230	Vuelta Standard Base L Shape 30" x72" x72" x30"	\$2,447



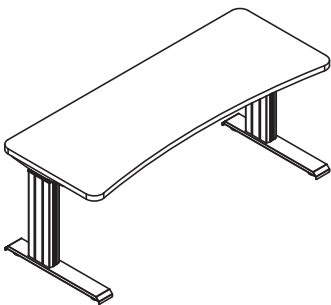
Vuelta - Standard Base with Worksurface



Assembly #	Description	Base #	Worksurface #	List Price
Vuelta (NCR) Standard Base with Worksurface - Rectangle Shape A				
NCRAAS243624	Std Base w/Worksurface 24"x36"x24"	NCRBS243624	WS1AS243624	\$1,683
NCRAAS244824	Std Base w/Worksurface 24"x48"x24"	NCRBS244824	WS1AS244824	\$1,780
NCRAAS246024	Std Base w/Worksurface 24"x60"x24"	NCRBS246024	WS1AS246024	\$1,857
NCRAAS247224	Std Base w/Worksurface 24"x72"x24"	NCRBS247224	WS1AS247224	\$1,912
NCRAAS303630	Std Base w/Worksurface 30"x36"x30"	NCRBS303630	WS1AS303630	\$1,723
NCRAAS304830	Std Base w/Worksurface 30"x48"x30"	NCRBS304830	WS1AS304830	\$1,823
NCRAAS306030	Std Base w/Worksurface 30"x60"x30"	NCRBS306030	WS1AS306030	\$1,910
NCRAAS307230	Std Base w/Worksurface 30"x72"x30"	NCRBS307230	WS1AS307230	\$1,960



Vuelta (NCR) Standard Base with Worksurface - Peninsula Shape D				
NCRADLS306030	Std Base w/Worksurface Left Radius 30"x60"x30"	NCRBS304230	WS1DL306030	\$1,944
NCRADLS307230	Std Base w/Worksurface Left Radius 30"x72"x30"	NCRBS306030	WS1DL307230	\$1,967
NCRADRS306030	Std Base w/Worksurface Right Radius 30"x60"x30"	NCRBS304230	WS1DR306030	\$1,944
NCRADRS307230	Std Base w/Worksurface Right Radius 30"x72"x30"	NCRBS306030	WS1DR307230	\$1,967



Vuelta (NCR) Standard Base with Worksurface - Bow Front Shape E				
NCRAES243624R	Std Base w/Worksurface 24x36x24	NCRBS243624	WS1E243624R	\$1,716
NCRAES244824R	Std Base w/Worksurface 24x48x24	NCRBS244824	WS1E244824R	\$1,820
NCRAES246024R	Std Base w/Worksurface 24x60x24	NCRBS246024	WS1E246024R	\$1,905
NCRAES247224R	Std Base w/Worksurface 24x72x24	NCRBS247224	WS1E247224R	\$1,966
NCRAES303630R	Std Base w/Worksurface 30x36x30	NCRBS303630	WS1E303630R	\$1,760
NCRAES304830R	Std Base w/Worksurface 30x48x30	NCRBS304830	WS1E304830R	\$1,867
NCRAES306030R	Std Base w/Worksurface 30x60x30	NCRBS306030	WS1E306030R	\$1,961
NCRAES307230R	Std Base w/Worksurface 30x72x30	NCRBS307230	WS1E307230R	\$2,017

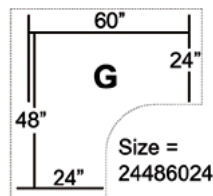
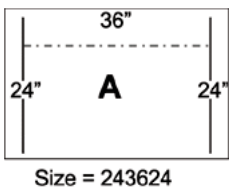
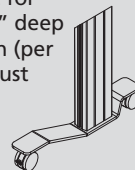


Table # _C
Caster Foot for 24" and 30" deep workstation (per column), must be ordered with table = \$91



NewHeights™ Finish Options

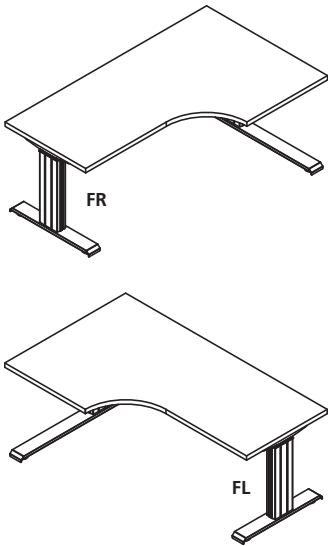


Note: When ordering NewHeights™, please add finish to end of model number.

Workstation with: Silver Base and Cherry Top
Example: NXTAAS243624SCH

See finishes page for additional laminate surface colors with a 2-4 week lead time.

Vuelta - Standard Base with Worksurface



Assembly #	Description	Base #	Worksurface #	List Price
Vuelta (NCR) Standard Base with Worksurface - 2 Leg L Shape F				
NCRAFS24364824	Std Base w/Worksurface 24x36x48x24	NCRBS364824	WS1F24364824	\$2,179
NCRAFS24366024	Std Base w/Worksurface 24x36x60x24	NCRBS366024	WS1F24366024	\$2,361
NCRAFS24367224	Std Base w/Worksurface 24x36x72x24	NCRBS367224	WS1F24367224	\$2,464
NCRAFS24424824	Std Base w/Worksurface 24x42x48x24	NCRBS364824	WS1F24424824	\$2,215
NCRAFS24426024	Std Base w/Worksurface 24x42x60x24	NCRBS366024	WS1F24426024	\$2,404
NCRAFS24427224	Std Base w/Worksurface 24x42x72x24	NCRBS367224	WS1F24427224	\$2,515
NCRAFS24483624	Std Base w/Worksurface 24x48x36x24	NCRBS244836	WS1F24483624	\$2,179
NCRAFS24484224	Std Base w/Worksurface 24x48x42x24	NCRBS244836	WS1F24484224	\$2,215
NCRAFS24603624	Std Base w/Worksurface 24x60x36x24	NCRBS246036	WS1F24603624	\$2,361
NCRAFS24604224	Std Base w/Worksurface 24x60x42x24	NCRBS246036	WS1F24604224	\$2,404
NCRAFS24723624	Std Base w/Worksurface 24x72x36x24	NCRBS247236	WS1F24723624	\$2,464
NCRAFS24724224	Std Base w/Worksurface 24x72x42x24	NCRBS247236	WS1F24724224	\$2,515
NCRAFS30426030	Std Base w/Worksurface 30x42x60x30	NCRBS366030	WS1F30426030	\$2,427
NCRAFS30427230	Std Base w/Worksurface 30x42x72x30	NCRBS367230	WS1F30427230	\$2,539
NCRAFS30604230	Std Base w/Worksurface 30x60x42x30	NCRBS306036	WS1F30604230	\$2,427
NCRAFS30724230	Std Base w/Worksurface 30x72x42x30	NCRBS307236	WS1F30724230	\$2,539
NCRAFS24426030	Std Base w/Worksurface 24x42x60x30	NCRBS366030	WS1F24426030	\$2,429
NCRAFS24427230	Std Base w/Worksurface 24x42x72x30	NCRBS367230	WS1F24427230	\$2,540
NCRAFS24603630	Std Base w/Worksurface 24x60x36x30	NCRBS246036	WS1F24603630	\$2,359
NCRAFS24604230	Std Base w/Worksurface 24x60x42x30	NCRBS246036	WS1F24604230	\$2,402
NCRAFS24723630	Std Base w/Worksurface 24x72x36x30	NCRBS247236	WS1F24723630	\$2,462
NCRAFS24724230	Std Base w/Worksurface 24x72x42x30	NCRBS247236	WS1F24724230	\$2,513
NCRAFS30366024	Std Base w/Worksurface 30x36x60x24	NCRBS366024	WS1F30366024	\$2,359
NCRAFS30367224	Std Base w/Worksurface 30x36x72x24	NCRBS367224	WS1F30367224	\$2,462
NCRAFS30426024	Std Base w/Worksurface 30x42x60x24	NCRBS366024	WS1F30426024	\$2,402
NCRAFS30427224	Std Base w/Worksurface 30x42x72x24	NCRBS367224	WS1F30427224	\$2,513
NCRAFS30604224	Std Base w/Worksurface 30x60x42x24	NCRBS306036	WS1F30604224	\$2,429
NCRAFS30724224	Std Base w/Worksurface 30x72x42x24	NCRBS307236	WS1F30724224	\$2,540

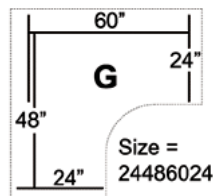
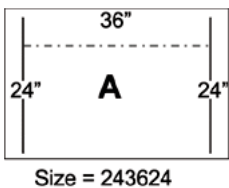
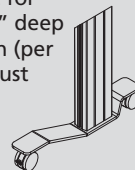


Table # _C
Caster Foot for 24" and 30" deep workstation (per column), must be ordered with table = **\$91**



NewHeights™ Finish Options

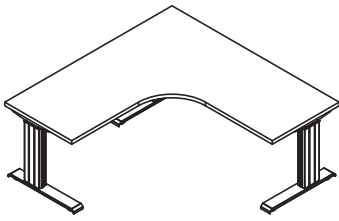


Note: When ordering NewHeights™, please add finish to end of model number.

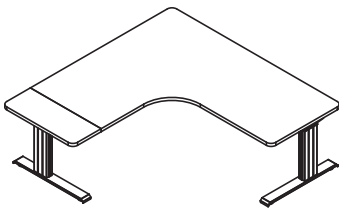
Workstation with: Silver Base and Cherry Top
Example: NXTAAS243624SCH

See finishes page for additional laminate surface colors with a 2-4 week lead time.

Vuelta - Standard Base with Worksurface



Assembly #	Description	Base #	Worksurface #	List Price
Vuelta (NCR) Standard Base with Worksurface - 3 Leg L Shape G				
NCRAGS24486024	Std Base w/Worksurface 24x48x60x24	NCRBLS24486024	WS1G24486024	\$3,157
NCRAGS24487224	Std Base w/Worksurface 24x48x72x24	NCRBLS24487224	WS1G24487224	\$3,241
NCRAGS24604824	Std Base w/Worksurface 24x60x48x24	NCRBLS24604824	WS1G24604824	\$3,157
NCRAGS24606024	Std Base w/Worksurface 24x60x60x24	NCRBLS24606024	WS1G24606024	\$3,259
NCRAGS24607224	Std Base w/Worksurface 24x60x72x24	NCRBLS24607224	WS1G24607224	\$3,410
NCRAGS24724824	Std Base w/Worksurface 24x72x48x24	NCRBLS24724824	WS1G24724824	\$3,241
NCRAGS24726024	Std Base w/Worksurface 24x72x60x24	NCRBLS24726024	WS1G24726024	\$3,410
NCRAGS30486030	Std Base w/Worksurface 30x48x60x30	NCRBLS30486030	WS1G30486030	\$3,193
NCRAGS30487230	Std Base w/Worksurface 30x48x72x30	NCRBLS30487230	WS1G30487230	\$3,278
NCRAGS30604830	Std Base w/Worksurface 30x60x48x30	NCRBLS30604830	WS1G30604830	\$3,193
NCRAGS30606030	Std Base w/Worksurface 30x60x60x30	NCRBLS30606030	WS1G30606030	\$3,296
NCRAGS30607230	Std Base w/Worksurface 30x60x72x30	NCRBLS30607230	WS1G30607230	\$3,449
NCRAGS30724830	Std Base w/Worksurface 30x72x48x30	NCRBLS30724830	WS1G30724830	\$3,278
NCRAGS30726030	Std Base w/Worksurface 30x72x60x30	NCRBLS30726030	WS1G30726030	\$3,449



Vuelta (NCR) Base with Worksurface - 3 Leg L with Seam Shape H				
NCRAHS24727224	Std Base w/Worksurface 24x72x72x24	NCRBLS24727224	WS1H24727224	\$3,619
NCRAHS30727230	Std Base w/Worksurface 30x72x72x30	NCRBLS30727230	WS1H30727230	\$3,662

* L worksurfaces longer than 60" on both sides will have a seam on the longest side. If both are the same size, the seam will default to the left side.

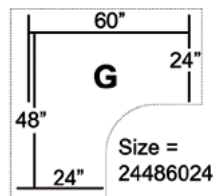
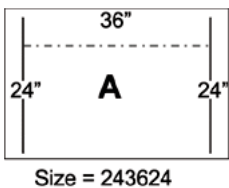
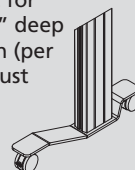


Table # _C
Caster Foot for 24" and 30" deep workstation (per column), must be ordered with table = \$91



NewHeights™ Finish Options

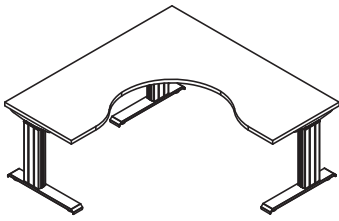


Note: When ordering NewHeights™, please add finish to end of model number.

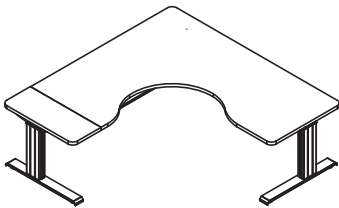
Workstation with: Silver Base and Cherry Top
Example: N~~XT~~AAS243624SCH

See finishes page for additional laminate surface colors with a 2-4 week lead time.

Vuelta - Standard Base with Worksurface



Assembly #	Description	Base #	Worksurface #	List Price
Vuelta (NCR) Standard Base with Worksurface - Cockpit Shape I				
NCRAIS24606024	Std Base w/Worksurface 24x60x60x24	NCRBLS24606024	WS1124606024	\$3,268
NCRAIS24607224	Std Base w/Worksurface 24x60x72x24	NCRBLS24607224	WS1124607224	\$3,420
NCRAIS24726024	Std Base w/Worksurface 24x72x60x24	NCRBLS24726024	WS1124726024	\$3,420
NCRAIS30606030	Std Base w/Worksurface 30x60x60x30	NCRBLS30606030	WS1130606030	\$3,305
NCRAIS30607230	Std Base w/Worksurface 30x60x72x30	NCRBLS30607230	WS1130607230	\$3,458
NCRAIS30726030	Std Base w/Worksurface 30x72x60x30	NCRBLS24727224	WS1130726030	\$3,416



Vuelta (NCR) Standard Base with Worksurface - Cockpit with Seam Shape J				
NCRAJS24727224	Std Base w/Worksurface 24x72x72x24	NCRBLS24727224	WS1124727224	\$3,628
NCRAJS30727230	Std Base w/Worksurface 30x72x72x30	NCRBLS30727230	WS1130727230	\$3,671

* L worksurfaces longer than 60" on both sides will have a seam on the longest side. If both are the same size, the seam will default to the left side.

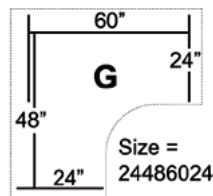
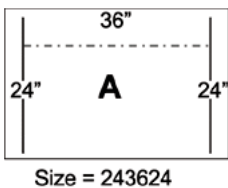
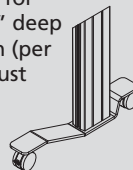


Table # _C
Caster Foot for 24" and 30" deep workstation (per column), must be ordered with table = \$91



NewHeights™ Finish Options



Note: When ordering NewHeights™, please add finish to end of model number.

Workstation with: Silver Base and Cherry Top
Example: N~~XT~~AAS243624SCH

See finishes page for additional laminate surface colors with a 2-4 week lead time.

Fixed Height Bases

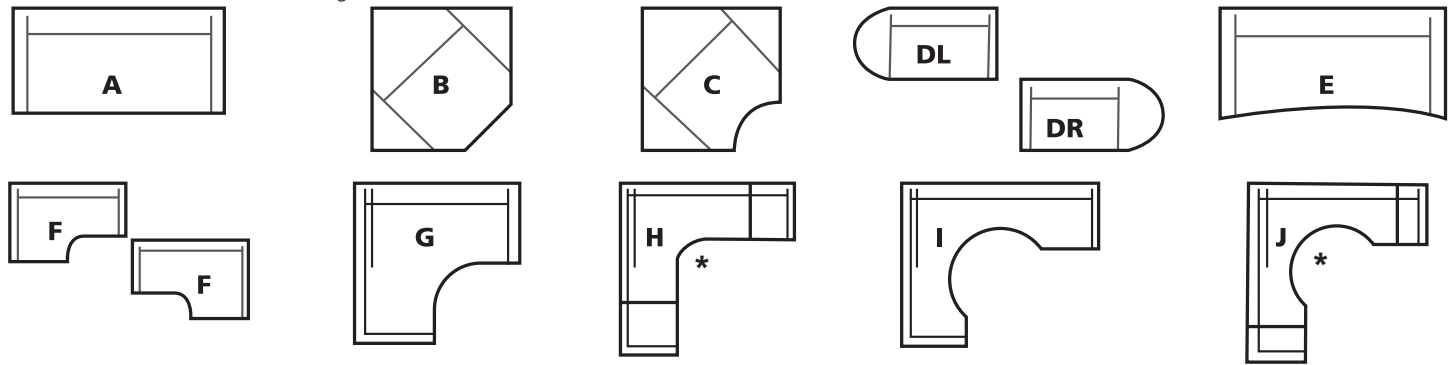
Fixed Height can be ordered in any height to allow you to sit or stand.

- 29" standard height
- Available in custom heights 22" - 52" H (order in 1" increments)
- Compatible with 24" and 30" D worksurfaces
- Custom sizes available
- Available with worksurface or base only
- Mix and match with other NewHeights™ to create a complete workstation
- Base Color: Black or Silver
- Worksurface: 10 standard thermally-fused options, high-pressure laminate and custom colors available (see *Finishes page*)

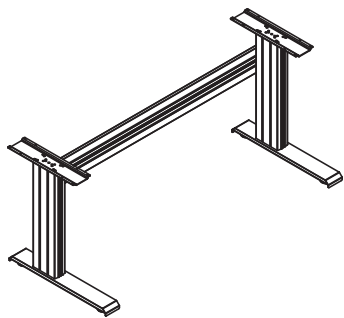
Price listed is for a standard 29" table. Additional height is \$6.69 per inch, per column.

NewHeights™ Fixed Shapes Sizes can be adjusted to fit your needs.

- A Rectangle
- B Corner-Diagonal
- C Corner-Radius
- D Peninsula, left and right radius
- E Bow Front
- F 2-Leg L
- G 3-Leg L
- H 3-Leg L Seam*
- I Cockpit
- J Cockpit Seam*



* L worksurfaces longer than 60" on both sides will have a seam on the longest side. If both are the same size, the seam will default to the left side.

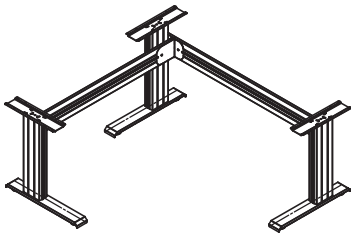


Model #	Description	List Price
Standard Base Only 2-Leg		
NFDBS24302429	Fixed Base Standard Foot 24"x30"x24"	\$771
NFDBS24362429	Fixed Base Standard Foot 24"x36"x24"	\$771
NFDBS24482429	Fixed Base Standard Foot 24"x48"x24"	\$817
NFDBS24602429	Fixed Base Standard Foot 24"x60"x24"	\$861
NFDBS24722429	Fixed Base Standard Foot 24"x72"x24"	\$907
NFDBS30363029	Fixed Base Standard Foot 30"x36"x30"	\$798
NFDBS30423029	Fixed Base Standard Foot 30"x42"x30"	\$844
NFDBS30483029	Fixed Base Standard Foot 30"x48"x30"	\$844
NFDBS30603029	Fixed Base Standard Foot 30"x60"x30"	\$888
NFDBS30723029	Fixed Base Standard Foot 30"x72"x30"	\$923
NFDBS24483629	Fixed Base Standard Foot 24"x48"x36"	\$904
NFDBS24603629	Fixed Base Standard Foot 24"x60"x36"	\$949
NFDBS24723629	Fixed Base Standard Foot 24"x72"x36"	\$995
NFDBS30483629	Fixed Base Standard Foot 30"x48"x36"	\$976
NFDBS30603629	Fixed Base Standard Foot 30"x60"x36"	\$976
NFDBS30723629	Fixed Base Standard Foot 30"x72"x36"	\$1,159
NFDBS36482429	Fixed Base Standard Foot 36"x48"x24"	\$949
NFDBS36602429	Fixed Base Standard Foot 36"x60"x24"	\$949
NFDBS36722429	Fixed Base Standard Foot 36"x72"x24"	\$1,132
NFDBS36483029	Fixed Base Standard Foot 36"x48"x30"	\$976
NFDBS36603029	Fixed Base Standard Foot 36"x60"x30"	\$976
NFDBS36723029	Fixed Base Standard Foot 36"x72"x30"	\$1,159

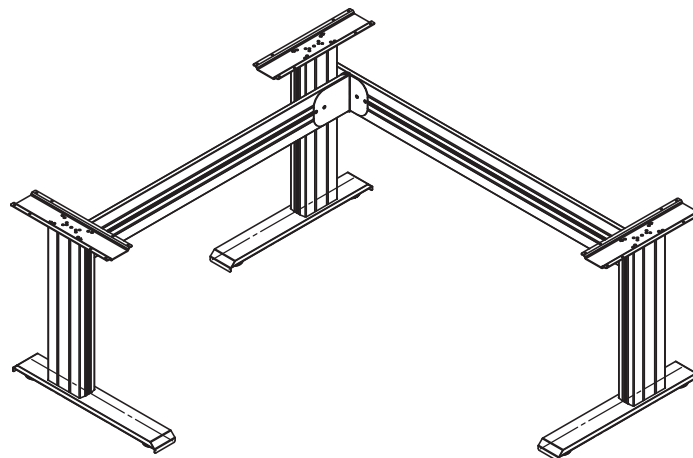
Fixed Height Bases

Model #	Description	List Price
Caster Foot Base Only 2-Leg		
NFDBC24302429	Fixed Base Caster Foot 24"x30"x24"	\$953
NFDBC24362429	Fixed Base Caster Foot 24"x36"x24"	\$953
NFDBC24482429	Fixed Base Caster Foot 24"x48"x24"	\$999
NFDBC24602429	Fixed Base Caster Foot 24"x60"x24"	\$1,043
NFDBC24722429	Fixed Base Caster Foot 24"x72"x24"	\$1,089
NFDBC30363029	Fixed Base Caster Foot 30"x36"x30"	\$980
NFDBC30423029	Fixed Base Caster Foot 30"x42"x30"	\$1,026
NFDBC30483029	Fixed Base Caster Foot 30"x48"x30"	\$1,026
NFDBC30603029	Fixed Base Caster Foot 30"x60"x30"	\$1,070
NFDBC30723029	Fixed Base Caster Foot 30"x72"x30"	\$1,105

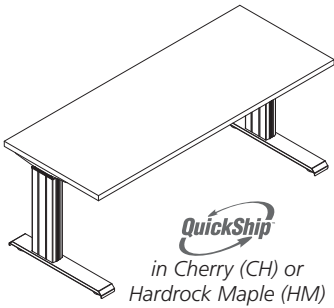
Fixed Height Bases



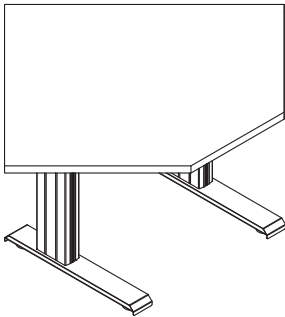
Model #	Description	List Price
Standard Base Only 3-Leg		
NFDBLS2448482429	Fixed Base L Shape Caster Foot 24"x48"x48"x24"	\$1,222
NFDBLS2448602429	Fixed Base L Shape Caster Foot 24"x48"x60"x24"	\$1,278
NFDBLS2448722429	Fixed Base L Shape Caster Foot 24"x48"x72"x24"	\$1,300
NFDBLS2460482429	Fixed Base L Shape Caster Foot 24"x60"x48"x24"	\$1,278
NFDBLS2460602429	Fixed Base L Shape Caster Foot 24"x60"x60"x24"	\$1,300
NFDBLS2460722429	Fixed Base L Shape Caster Foot 24"x60"x72"x24"	\$1,346
NFDBLS2472482429	Fixed Base L Shape Caster Foot 24"x72"x48"x24"	\$1,300
NFDBLS2472602429	Fixed Base L Shape Caster Foot 24"x72"x60"x24"	\$1,346
NFDBLS2472722429	Fixed Base L Shape Caster Foot 24"x72"x72"x24"	\$1,369
NFDBLS3048483029	Fixed Base L Shape Caster Foot 30"x48"x48"x30"	\$1,274
NFDBLS3048603029	Fixed Base L Shape Caster Foot 30"x48"x60"x30"	\$1,320
NFDBLS3048723029	Fixed Base L Shape Caster Foot 30"x48"x72"x30"	\$1,341
NFDBLS3060483029	Fixed Base L Shape Caster Foot 30"x60"x48"x30"	\$1,320
NFDBLS3060603029	Fixed Base L Shape Caster Foot 30"x60"x60"x30"	\$1,341
NFDBLS3060723029	Fixed Base L Shape Caster Foot 30"x60"x72"x30"	\$1,387
NFDBLS3072483029	Fixed Base L Shape Caster Foot 30"x72"x48"x30"	\$1,341
NFDBLS3072603029	Fixed Base L Shape Caster Foot 30"x72"x60"x30"	\$1,387
NFDBLS3072723029	Fixed Base L Shape Caster Foot 30"x72"x72"x30"	\$1,394



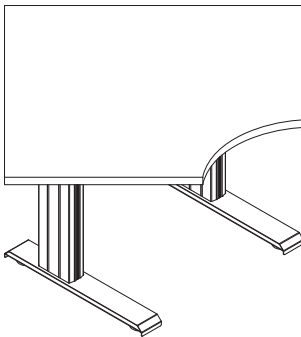
Fixed Height Base with Worksurface



Assembly #	Description	Base #	Worksurface #	List Price
Fixed (NFD) Standard Base with Worksurface - Rectangle Shape A				
NFDAAS243624	Std Base w/Worksurface 24"x36"x24"	NFDBS24362429	WS1A243624	\$941
NFDAAS244824	Std Base w/Worksurface 24"x48"x24"	NFDBS24482429	WS1A244824	\$1,036
NFDAAS246024	Std Base w/Worksurface 24"x60"x24"	NFDBS24602429	WS1A246024	\$1,157
NFDAAS247224	Std Base w/Worksurface 24"x72"x24"	NFDBS24722429	WS1A247224	\$1,225
NFDAAS303630	Std Base w/Worksurface 30"x36"x30"	NFDBS30363029	WS1A303630	\$981
NFDAAS304830	Std Base w/Worksurface 30"x48"x30"	NFDBS30483029	WS1A304830	\$1,079
NFDAAS306030	Std Base w/Worksurface 30"x60"x30"	NFDBS30603029	WS1A306030	\$1,210
NFDAAS307230	Std Base w/Worksurface 30"x72"x30"	NFDBS30723029	WS1A307230	\$1,262



Fixed (NFD) Standard Base with Worksurface - Diagonal Shape B				
NFDABS24363624	Std Base w/Worksurface 24x36x36x24	NFDBS24302429	WS1B24363624	\$1,057
NFDABS24424224	Std Base w/Worksurface 24x42x42x24	NFDBS24362429	WS1B24424224	\$1,142
NFDABS24484824	Std Base w/Worksurface 24x48x48x24	NFDBS30363029	WS1B24484824	\$1,187
NFDABS30363630	Std Base w/Worksurface 30x36x36x30	NFDBS24302429	WS1B30363630	\$1,059
NFDABS30424230	Std Base w/Worksurface 30x42x42x30	NFDBS24362429	WS1B30424230	\$1,143
NFDABS30484830	Std Base w/Worksurface 30x48x48x30	NFDBS30363029	WS1B30484830	\$1,189



Fixed (NFD) Base with Worksurface - Radius Shape C				
NFDACS24363624	Std Base w/Worksurface 24x36x36x24	NFDBS24302429	WS1C24363624	\$1,064
NFDACS24484824	Std Base w/Worksurface 24x48x48x24	NFDBS30363029	WS1C24484824	\$1,186
NFDACS30424230	Std Base w/Worksurface 30x42x42x30	NFDBS24362429	WS1C30424230	\$1,149
NFDACS30484830	Std Base w/Worksurface 30x48x48x30	NFDBS30363029	WS1C30484830	\$1,191

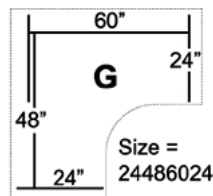
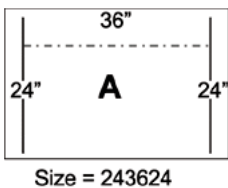
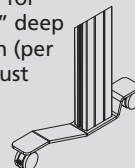


Table # _C
Caster Foot for 24" and 30" deep workstation (per column), must be ordered with table = **\$91**



NewHeights™ Finish Options

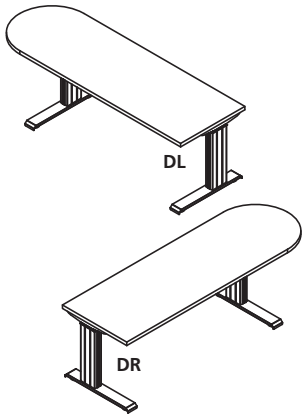


Note: When ordering NewHeights™, please add finish to end of model number.

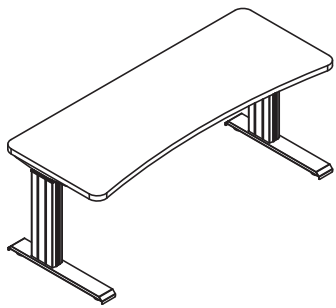
Workstation with: Silver Base and Cherry Top
Example: N~~XT~~AAS243624SCH

See finishes page for additional laminate surface colors with a 2-4 week lead time.

Fixed Height Base with Worksurface



Assembly #	Description	Base #	Worksurface #	List Price
Fixed (NFD) Standard Base with Worksurface - Peninsula Shape D				
NFDADLS306030	Std Base w/Worksurface Left Radius 30"x60"x30"	NFDBS30423029	WS1DL306030	\$1,200
NFDADLS307230	Std Base w/Worksurface Left Radius 30"x72"x30"	NFDBS30603029	WS1DL307230	\$1,267
NFDADRS306030	Std Base w/Worksurface Right Radius 30"x60"x30"	NFDBS30423029	WS1DR306030	\$1,200
NFDADRS307230	Std Base w/Worksurface Right Radius 30"x72"x30"	NFDBS30603029	WS1DR307230	\$1,267



Fixed (NFD) Standard Base with Worksurface - Bow Front Shape E				
NFDAES243624R	Std Base w/Worksurface 24x36x24	NFDBS24362429	WS1E243624R	\$974
NFDAES244824R	Std Base w/Worksurface 24x48x24	NFDBS24482429	WS1E244824R	\$1,076
NFDAES246024R	Std Base w/Worksurface 24x60x24	NFDBS24602429	WS1E246024R	\$1,205
NFDAES247224R	Std Base w/Worksurface 24x72x24	NFDBS24722429	WS1E247224R	\$1,279
NFDAES303630R	Std Base w/Worksurface 30x36x30	NFDBS30363029	WS1E303630R	\$1,018
NFDAES304830R	Std Base w/Worksurface 30x48x30	NFDBS30483029	WS1E304830R	\$1,123
NFDAES306030R	Std Base w/Worksurface 30x60x30	NFDBS30603029	WS1E306030R	\$1,261
NFDAES307230R	Std Base w/Worksurface 30x72x30	NFDBS30723029	WS1E307230R	\$1,319

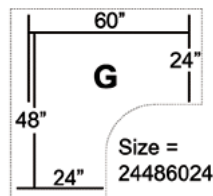
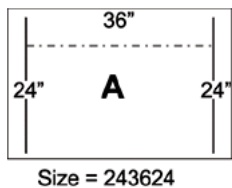
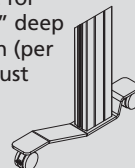


Table # _C
Caster Foot for 24" and 30" deep workstation (per column), must be ordered with table = \$91



NewHeights™ Finish Options

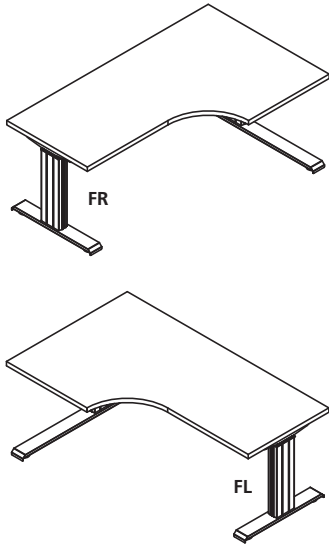


Note: When ordering NewHeights™, please add finish to end of model number.

Workstation with: Silver Base and Cherry Top
Example: N~~XT~~AAS243624SCH

See finishes page for additional laminate surface colors with a 2-4 week lead time.

Fixed Height Base with Worksurface



Assembly #	Description	Base #	Worksurface #	List Price
Fixed (NFD) Standard Base with Worksurface - 2 Leg L Shape F				
NFDAFS24364824	Std Base w/Worksurface 24x36x48x24	NFDBS36482429	WS1F24364824	\$1,479
NFDAFS24366024	Std Base w/Worksurface 24x36x60x24	NFDBS36602429	WS1F24366024	\$1,661
NFDAFS24367224	Std Base w/Worksurface 24x36x72x24	NFDBS36722429	WS1F24367224	\$1,914
NFDAFS24424824	Std Base w/Worksurface 24x42x48x24	NFDBS36482429	WS1F24424824	\$1,515
NFDAFS24426024	Std Base w/Worksurface 24x42x60x24	NFDBS36602429	WS1F24426024	\$1,704
NFDAFS24427224	Std Base w/Worksurface 24x42x72x24	NFDBS36722429	WS1F24426030	\$1,885
NFDAFS24483624	Std Base w/Worksurface 24x48x36x24	NFDBS24483629	WS1F24427224	\$1,737
NFDAFS24484224	Std Base w/Worksurface 24x48x42x24	NFDBS24483629	WS1F24427230	\$1,735
NFDAFS24603624	Std Base w/Worksurface 24x60x36x24	NFDBS24603629	WS1F24483624	\$1,479
NFDAFS24604224	Std Base w/Worksurface 24x60x42x24	NFDBS24603629	WS1F24484224	\$1,515
NFDAFS24723624	Std Base w/Worksurface 24x72x36x24	NFDBS24723629	WS1F24603624	\$1,707
NFDAFS24724224	Std Base w/Worksurface 24x72x42x24	NFDBS24723629	WS1F24603630	\$1,705
NFDAFS30426030	Std Base w/Worksurface 30x42x60x30	NFDBS36603029	WS1F24604224	\$1,731
NFDAFS30427230	Std Base w/Worksurface 30x42x72x30	NFDBS36723029	WS1F24604230	\$1,912
NFDAFS30604230	Std Base w/Worksurface 30x60x42x30	NFDBS30603629	WS1F24723624	\$1,758
NFDAFS30724230	Std Base w/Worksurface 30x72x42x30	NFDBS30723629	WS1F24723630	\$1,939
NFDAFS24426030	Std Base w/Worksurface 24x42x60x30	NFDBS30603029	WS1F24724224	\$1,721
NFDAFS24427230	Std Base w/Worksurface 24x42x72x30	NFDBS36723029	WS1F24724230	\$1,990
NFDAFS24603630	Std Base w/Worksurface 24x60x36x30	NFDBS24603629	WS1F30366024	\$1,659
NFDAFS24604230	Std Base w/Worksurface 24x60x42x30	NFDBS24603629	WS1F30367224	\$1,729
NFDAFS24723630	Std Base w/Worksurface 24x72x36x30	NFDBS24723629	WS1F30426024	\$1,748
NFDAFS24724230	Std Base w/Worksurface 24x72x42x30	NFDBS24723629	WS1F30426030	\$1,746
NFDAFS30366024	Std Base w/Worksurface 30x36x60x24	NFDBS36602429	WS1F30427224	\$1,780
NFDAFS30367224	Std Base w/Worksurface 30x36x72x24	NFDBS36722429	WS1F30427230	\$1,962
NFDAFS30426024	Std Base w/Worksurface 30x42x60x24	NFDBS36602429	WS1F30604224	\$1,702
NFDAFS30427224	Std Base w/Worksurface 30x42x72x24	NFDBS36722429	WS1F30604230	\$1,883
NFDAFS30604224	Std Base w/Worksurface 30x60x42x24	NFDBS30603629	WS1F30724224	\$1,807
NFDAFS30724224	Std Base w/Worksurface 30x72x42x24	NFDBS30723629	WS1F30724230	\$1,989

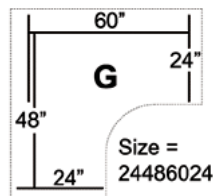
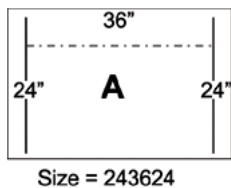
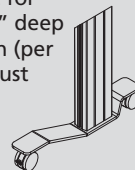


Table # _C
Caster Foot for 24" and 30" deep workstation (per column), must be ordered with table = **\$91**



NewHeights™ Finish Options

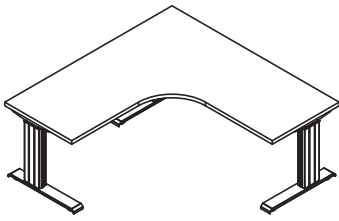


Note: When ordering NewHeights™, please add finish to end of model number.

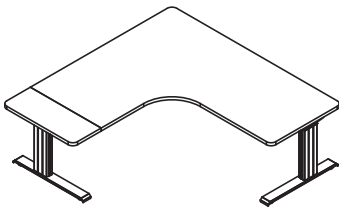
Workstation with: Silver Base and Cherry Top
Example: N~~XT~~AAS243624SCH

See finishes page for additional laminate surface colors with a 2-4 week lead time.

Fixed Height Base with Worksurface

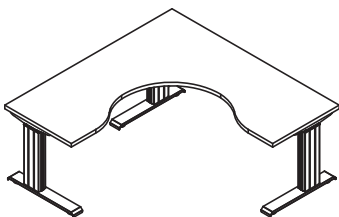


Assembly #	Description	Base #	Worksurface #	List Price
Fixed (NFD) Standard Base with Worksurface - 3 Leg L Shape G				
NFDAGS24486024	Std Base w/Worksurface 24x48x60x24	NFDBLS2448602429	WS1G24486024	\$2,078
NFDAGS24487224	Std Base w/Worksurface 24x48x72x24	NFDBLS2448722429	WS1G24487224	\$2,184
NFDAGS24604824	Std Base w/Worksurface 24x60x48x24	NFDBLS2460482429	WS1G24604824	\$2,078
NFDAGS24606024	Std Base w/Worksurface 24x60x60x24	NFDBLS2460602429	WS1G24606024	\$2,202
NFDAGS24607224	Std Base w/Worksurface 24x60x72x24	NFDBLS2460722429	WS1G24607224	\$2,350
NFDAGS24724824	Std Base w/Worksurface 24x72x48x24	NFDBLS2472482429	WS1G24724824	\$2,184
NFDAGS24726024	Std Base w/Worksurface 24x72x60x24	NFDBLS2472602429	WS1G24726024	\$2,350
NFDAGS30486030	Std Base w/Worksurface 30x48x60x30	NFDBLS3048603029	WS1G30486030	\$2,116
NFDAGS30487230	Std Base w/Worksurface 30x48x72x30	NFDBLS3048723029	WS1G30487230	\$2,222
NFDAGS30604830	Std Base w/Worksurface 30x60x48x30	NFDBLS3060483029	WS1G30604830	\$2,116
NFDAGS30606030	Std Base w/Worksurface 30x60x60x30	NFDBLS3060603029	WS1G30606030	\$2,240
NFDAGS30607230	Std Base w/Worksurface 30x60x72x30	NFDBLS3060723029	WS1G30607230	\$2,388
NFDAGS30724830	Std Base w/Worksurface 30x72x48x30	NFDBLS3072483029	WS1G30724830	\$2,222
NFDAGS30726030	Std Base w/Worksurface 30x72x60x30	NFDBLS3072603029	WS1G30726030	\$2,388

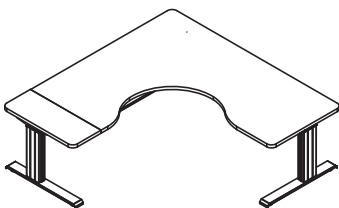


Fixed (NFD) Standard Base with Worksurface - 3 Leg L with Seam Shape H				
NFDAHS24727224	Std Base w/Worksurface 24x72x72x24	NFDBLS2472722429	WS1H24727224	\$2,582
NFDAHS30727230	Std Base w/Worksurface 30x72x72x30	NFDBLS3072723029	WS1H30727230	\$2,609

* L worksurfaces longer than 60" on both sides will have a seam on the longest side. If both are the same size, the seam will default to the left side.



Fixed (NFD) Standard Base with Worksurface - Cockpit Shape I				
NFDAIS24606024	Std Base w/Worksurface 24x60x60x24	NFDBLS2460602429	WS1I24606024	\$2,211
NFDAIS24607224	Std Base w/Worksurface 24x60x72x24	NFDBLS2460722429	WS1I24607224	\$2,360
NFDAIS24726024	Std Base w/Worksurface 24x72x60x24	NFDBLS2472602429	WS1I24726024	\$2,360
NFDAIS30606030	Std Base w/Worksurface 30x60x60x30	NFDBLS3060603029	WS1I30606030	\$2,249
NFDAIS30607230	Std Base w/Worksurface 30x60x72x30	NFDBLS3060723029	WS1I30607230	\$2,397
NFDAIS30726030	Std Base w/Worksurface 30x72x60x30	NFDBLS2472722429	WS1I30726030	\$2,379



Fixed (NFD) Standard Base with Worksurface - Cockpit with Seam Shape J				
NFDAJS24727224	Std Base w/Worksurface 24x72x72x24	NFDBLS2472722429	WS1J24727224	\$2,591
NFDAJS30727230	Std Base w/Worksurface 30x72x72x30	NFDBLS3072723029	WS1J30727230	\$2,618

* L worksurfaces longer than 60" on both sides will have a seam on the longest side. If both are the same size, the seam will default to the left side.

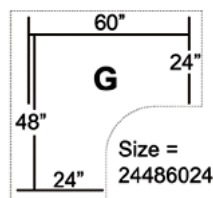
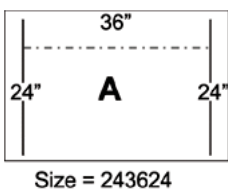
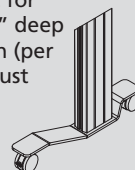


Table # _C
Caster Foot for 24" and 30" deep workstation (per column), must be ordered with table = \$91



NewHeights™ Finish Options



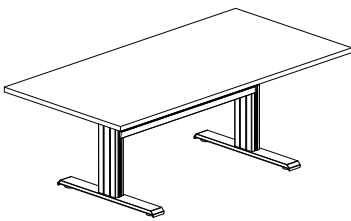
Note: When ordering NewHeights™, please add finish to end of model number.

Workstation with: Silver Base and Cherry Top Example: N~~XT~~AAS243624SCH

See finishes page for additional laminate surface colors with a 2-4 week lead time.

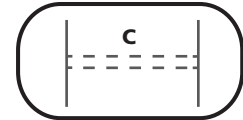
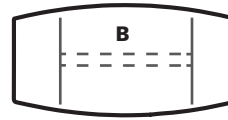
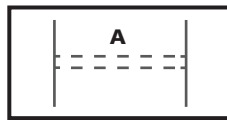
Fixed Height Conference Tables

Model #	Description	List Price
Fixed (NFC) Conference Base Only		
NFCBS30363029	Fixed Conference Base 30"x36"x30"	\$994
NFCBS30483029	Fixed Conference Base 30"x48"x30"	\$1,078
NFCBS30603029	Fixed Conference Base 30"x60"x30"	\$1,158
NFCBS30723029	Fixed Conference Base 30"x72"x30"	\$1,230

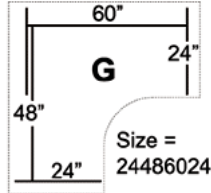
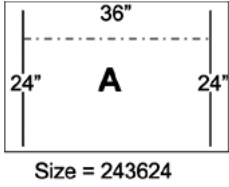


Fixed (NFC) Conference Table Base with Worksurface				
NFCAAS366036	Conference Table Base with Worksurface Rectangle 36"x60"x36"	NFCBS30363029	WS4A366036	\$1,696
NFCAAS367236	Conference Table Base with Worksurface Rectangle 36"x72"x36"	NFCBS30483029	WS4A367236	\$1,847
NFCAAS368436	Conference Table Base with Worksurface Rectangle 36"x84"x36"	NFCBS30483029	WS4A368436	\$2,285
NFCAAS427242	Conference Table Base with Worksurface Rectangle 42"x72"x42"	NFCBS30483029	WS4A427242	\$1,896
NFCAAS428442	Conference Table Base with Worksurface Rectangle 42"x84"x42"	NFCBS30483029	WS4A428442	\$2,342
NFCAAS429642	Conference Table Base with Worksurface Rectangle 42"x96"x42"	NFCBS30603029	WS4A429642	\$2,483
NFCABS368436	Conference Table Base with Worksurface Boat 36"x84"x36"	NFCBS30483029	WS4B368436	\$2,327
NFCABS427242	Conference Table Base with Worksurface Boat 42"x72"x42"	NFCBS30483029	WS4B427242	\$1,931
NFCACS428442	Conference Table Base with Worksurface Oval 42"x84"x42"	NFCBS30483029	WS4C428442	\$2,381

- A** Rectangle
- B** Boat
- C** Oval



Worksurface ONLY - Eficiente LT, Levante, Vuelta, Fixed, C-Series, Screw Height

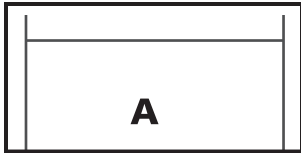


NewHeights™ Finish Options

Note: When ordering NewHeights™, please add finish to end of model number.

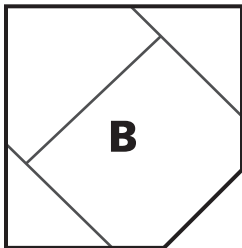
Workstation with:
Silver Base and Cherry Top
Example: NXTAAS243624SCH

See finishes page for additional laminate surface colors with a 2-4 week lead time.

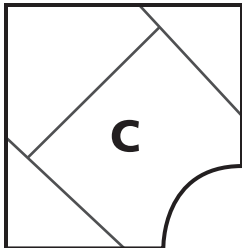


QuickShip
in Cherry (CH) or
Hardrock Maple (HM)

Model #	Description	List Price
Eficiente LT (NLT), Levante (NZP), Vuelta (NCR), Fixed (NFD) Worksurface - Rectangle Shape A		
WS1A183618	Worksurface Rectangle 18" x36" x18"	\$130
WS1A184218	Worksurface Rectangle 18" x42" x18"	\$160
WS1A184818	Worksurface Rectangle 18" x48" x18"	\$167
WS1A186018	Worksurface Rectangle 18" x60" x18"	\$228
WS1A187218	Worksurface Rectangle 18" x72" x18"	\$243
WS1A243624	Worksurface Rectangle 24" x36" x24"	\$170
WS1A244224	Worksurface Rectangle 24" x42" x24"	\$211
WS1A244824	Worksurface Rectangle 24" x48" x24"	\$219
WS1A246024	Worksurface Rectangle 24" x60" x24"	\$296
WS1A247224	Worksurface Rectangle 24" x72" x24"	\$318
WS1A303630	Worksurface Rectangle 30" x36" x30"	\$183
WS1A304230	Worksurface Rectangle 30" x42" x30"	\$226
WS1A304830	Worksurface Rectangle 30" x48" x30"	\$235
WS1A306030	Worksurface Rectangle 30" x60" x30"	\$322
WS1A307230	Worksurface Rectangle 30" x72" x30"	\$339



Eficiente LT (NLT), Fixed (NFD) Worksurface - Diagonal Shape B		
WS1B24363624	Worksurface Base 24x36x36x24	\$286
WS1B24424224	Worksurface Base 24x42x42x24	\$371
WS1B24484824	Worksurface Base 24x48x48x24	\$389
WS1B30363630	Worksurface Base 30x36x36x30	\$288
WS1B30424230	Worksurface Base 30x42x42x30	\$372
WS1B30484830	Worksurface Base 30x48x48x30	\$391



Eficiente LT (NLT), Fixed (NFD) Worksurface - Radius Shape C		
WS1C24363624	Worksurface Corner-Radius 24x36x36x24	\$293
WS1C24484824	Worksurface Corner-Radius 24x48x48x24	\$388
WS1C30424230	Worksurface Corner-Radius 30x42x42x30	\$378
WS1C30484830	Worksurface Corner-Radius 30x48x48x30	\$393



Eficiente LT (NLT), Vuelta (NCR), Fixed (NFD) Worksurface - Peninsula Shape D		
WS1DL306030	Worksurface Penninsula Left Radius 30" x60" x30"	\$356
WS1DL307230	Worksurface Penninsula Left Radius 30" x72" x30"	\$379
WS1DR306030	Worksurface Penninsula Right Radius 30" x60" x30"	\$356
WS1DR307230	Worksurface Penninsula Right Radius 30" x72" x30"	\$379



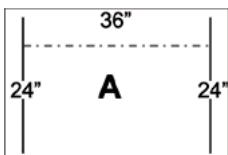
Worksurface ONLY - Eficiente LT, Levante, Vuelta, Fixed, C-Series, Screw Height



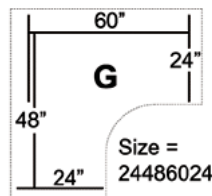
Model #	Description	List Price
Eficiente LT (NLT), Vuelta (NCR), Fixed (NFD) Worksurface - Bow Front Shape E		
WS1E243624R	Worksurface Bow Front 24x36x24 Radius	\$203
WS1E244824R	Worksurface Bow Front 24x48x24 Radius	\$259
WS1E246024R	Worksurface Bow Front 24x60x24 Radius	\$344
WS1E247224R	Worksurface Bow Front 24x72x24 Radius	\$372
WS1E303630R	Worksurface Bow Front 30x36x30 Radius	\$220
WS1E304830R	Worksurface Bow Front 30x48x30 Radius	\$279
WS1E306030R	Worksurface Bow Front 30x60x30 Radius	\$373
WS1E307230R	Worksurface Bow Front 30x72x30 Radius	\$396



Eficiente LT (NLT), Vuelta (NCR), Fixed (NFD) Worksurface - 2 Leg L Shape F		
WS1F24364824	Worksurface 2 Leg L Shape 24x36x48x24	\$530
WS1F24366024	Worksurface 2 Leg L Shape 24x36x60x24	\$712
WS1F24367224	Worksurface 2 Leg L Shape 24x36x72x24	\$782
WS1F24424824	Worksurface 2 Leg L Shape 24x42x48x24	\$566
WS1F24426024	Worksurface 2 Leg L Shape 24x42x60x24	\$755
WS1F24426030	Worksurface 2 Leg L Shape 24x42x60x30	\$753
WS1F24427224	Worksurface 2 Leg L Shape 24x42x72x24	\$833
WS1F24427230	Worksurface 2 Leg L Shape 24x42x72x30	\$831
WS1F24483624	Worksurface 2 Leg L Shape 24x48x36x24	\$530
WS1F24484224	Worksurface 2 Leg L Shape 24x48x42x24	\$566
WS1F24603624	Worksurface 2 Leg L Shape 24x60x36x24	\$712
WS1F24603630	Worksurface 2 Leg L Shape 24x60x36x30	\$710
WS1F24604224	Worksurface 2 Leg L Shape 24x60x42x24	\$755
WS1F24604230	Worksurface 2 Leg L Shape 24x60x42x30	\$753
WS1F24723624	Worksurface 2 Leg L Shape 24x72x36x24	\$782
WS1F24723630	Worksurface 2 Leg L Shape 24x72x36x30	\$780
WS1F24724224	Worksurface 2 Leg L Shape 24x72x42x24	\$833
WS1F24724230	Worksurface 2 Leg L Shape 24x72x42x30	\$831
WS1F30366024	Worksurface 2 Leg L Shape 30x36x60x24	\$710
WS1F30367224	Worksurface 2 Leg L Shape 30x36x72x24	\$780
WS1F30426024	Worksurface 2 Leg L Shape 30x42x60x24	\$753
WS1F30426030	Worksurface 2 Leg L Shape 30x42x60x30	\$751
WS1F30427224	Worksurface 2 Leg L Shape 30x42x72x24	\$831
WS1F30427230	Worksurface 2 Leg L Shape 30x42x72x30	\$830
WS1F30604224	Worksurface 2 Leg L Shape 30x60x42x24	\$753
WS1F30604230	Worksurface 2 Leg L Shape 30x60x42x30	\$751
WS1F30724224	Worksurface 2 Leg L Shape 30x72x42x24	\$831
WS1F30724230	Worksurface 2 Leg L Shape 30x72x42x30	\$830



Size = 243624



Size = 24486024

NewHeights™ Finish Options

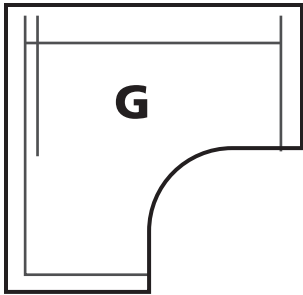


Note: When ordering NewHeights™, please add finish to end of model number.

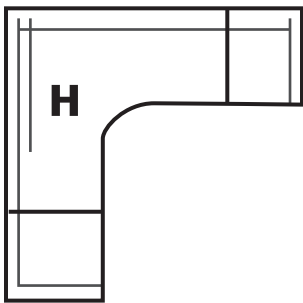
Workstation with: Silver Base and Cherry Top
Example: NXTAAS243624SCH

See finishes page for additional laminate surface colors with a 2-4 week lead time.

Worksurface ONLY - Eficiente LT, Levante, Vuelta, Fixed, C-Series, Screw Height

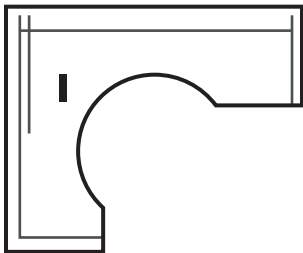


Model #	Description	List Price
Eficiente LT (NLT), Vuelta (NCR), Fixed (NFD) Worksurface - 3 Leg L Shape G		
WS1G24486024	Worksurface 3 Leg L Shape 24x48x60x24	\$800
WS1G24487224	Worksurface 3 Leg L Shape 24x48x72x24	\$884
WS1G24604824	Worksurface 3 Leg L Shape 24x60x48x24	\$800
WS1G24606024	Worksurface 3 Leg L Shape 24x60x60x24	\$902
WS1G24607224	Worksurface 3 Leg L Shape 24x60x72x24	\$1,004
WS1G24724824	Worksurface 3 Leg L Shape 24x72x48x24	\$884
WS1G24726024	Worksurface 3 Leg L Shape 24x72x60x24	\$1,004
WS1G30486030	Worksurface 3 Leg L Shape 30x48x60x30	\$796
WS1G30487230	Worksurface 3 Leg L Shape 30x48x72x30	\$881
WS1G30604830	Worksurface 3 Leg L Shape 30x60x48x30	\$796
WS1G30606030	Worksurface 3 Leg L Shape 30x60x60x30	\$899
WS1G30607230	Worksurface 3 Leg L Shape 30x60x72x30	\$1,001
WS1G30724830	Worksurface 3 Leg L Shape 30x72x48x30	\$881
WS1G30726030	Worksurface 3 Leg L Shape 30x72x60x30	\$1,001

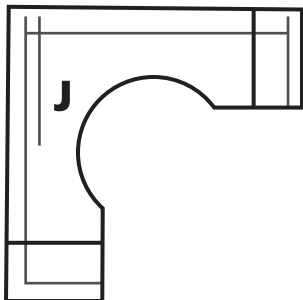


Eficiente LT (NLT), Vuelta (NCR), Fixed (NFD) Worksurface - 3 Leg L with Seam Shape H		
WS1H24727224	Worksurface 3 Leg L Shape Seam 24x72x72x24	\$1,213
WS1H30727230	Worksurface 3 Leg L Shape Seam 30x72x72x30	\$1,215

* L worksurfaces longer than 60" on both sides will have a seam on the longest side. If both are the same size, the seam will default to the left side.

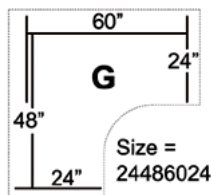
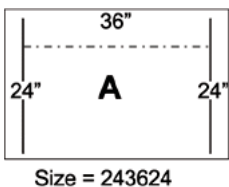


Eficiente LT (NLT), Vuelta (NCR), Fixed (NFD) Worksurface - Cockpit Shape I		
WS1I24606024	Worksurface 3 Leg L Shape Cockpit 24x60x60x24	\$911
WS1I24607224	Worksurface 3 Leg L Shape Cockpit 24x60x72x24	\$1,014
WS1I24726024	Worksurface 3 Leg L Shape Cockpit 24x72x60x24	\$1,014
WS1I30606030	Worksurface 3 Leg L Shape Cockpit 30x60x60x30	\$908
WS1I30607230	Worksurface 3 Leg L Shape Cockpit 30x60x72x30	\$1,010
WS1I30726030	Worksurface 3 Leg L Shape Cockpit 30x72x60x30	\$1,010



Eficiente LT (NLT), Vuelta (NCR), Fixed (NFD) Worksurface - Cockpit with Seam Shape J		
WS1J24727224	Worksurface 3 Leg L Shape Cockpit Seam 24x72x72x24	\$1,222
WS1J30727230	Worksurface 3 Leg L Shape Cockpit Seam 30x72x72x30	\$1,224

* L worksurfaces longer than 60" on both sides will have a seam on the longest side. If both are the same size, the seam will default to the left side.



NewHeights™ Finish Options

Note: When ordering NewHeights™, please add finish to end of model number.

Workstation with:
Silver Base and Cherry Top
Example: NXTAAS243624SCH

See finishes page for additional laminate surface colors with a 2-4 week lead time.

Arriba - Gas Lift Tables

Easily glides to the preferred height, with the squeeze of a lever.

- Height Range: 27" - 44" H.
- Lifting Capacity: up to 35 pounds.
- Available with casters, glides or plate base.
- Custom sizes available.
- Available with worksurface or base only.
- Base Color: black or silver.
- Bases available for 24" and 30" deep worksurfaces, up to 36" maximum width.
- Worksurface: ten standard thermally-fused options, high-pressure laminate and custom colors available.

NewHeights™ Finish Options



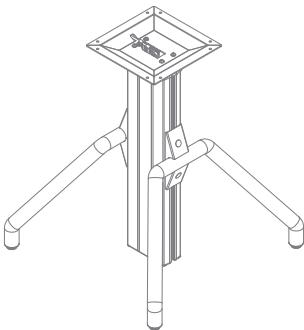
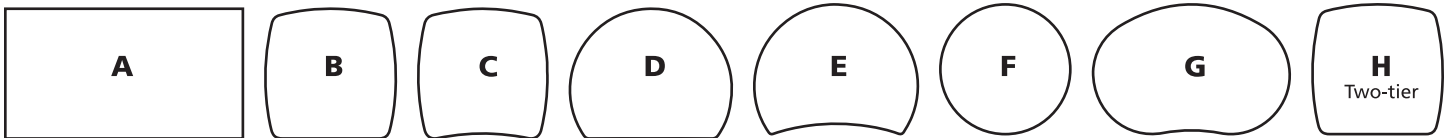
Note: When ordering NewHeights™, please add finish to end of model number.

Cherry Worksurface:
W55G243624**CH**
Black Base: NGABC242424**B**

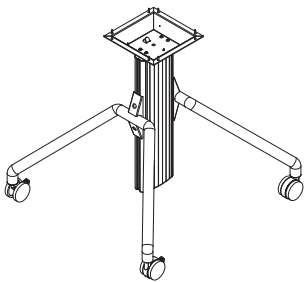
See finishes page for additional laminate surface colors with a 2-4 week lead time.

NewHeights™ Arriba Shapes

- A** Rectangle
- C** Modified Rectangle Arc
- E** Modified D-Shape
- G** Bean
- B** Modified Rectangle Straight
- D** D-Shape
- F** Round
- H** Two-Tier Modified Rectangle Straight

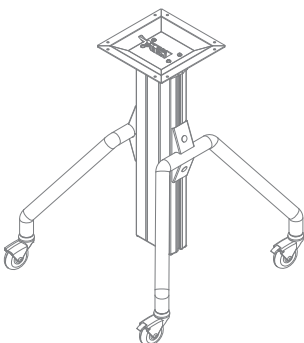


Model #	Description	List Price
Base with Levelers		
NGABS242424	Arriba 24x24x24 Base w/Levelers	\$960
NGABS242724	Arriba 24x27x24 Base w/Levelers	\$960
NGABS272727	Arriba 27x27x27 Base w/Levelers	\$960
NGABS302730	Arriba 30x27x30 Base w/Levelers	\$960



Base with Casters		
NGABC242424	Arriba 24x24x24 Base w/3" Casters	\$1,079
NGABC242724	Arriba 24x27x24 Base w/3" Casters	\$1,079
NGABC272727	Arriba 27x27x27 Base w/3" Casters	\$1,079
NGABC302730	Arriba 30x27x30 Base w/3" Casters	\$1,079

Standard casters and the Omega casters can be used on both hard and soft surfaces.

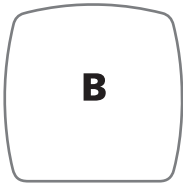


Base with with Omega Casters		
NGABW242424	Arriba 24x24x24 Base w/Omega Casters	\$1,242
NGABW242724	Arriba 24x27x24 Base w/Omega Casters	\$1,242
NGABW272727	Arriba 27x27x27 Base w/Omega Casters	\$1,242
NGABW302730	Arriba 30x27x30 Base w/Omega Casters	\$1,242

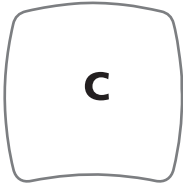
Arriba - Gas Lift Tables



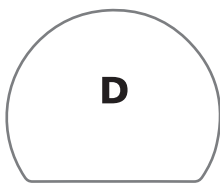
Model #	Description	Base #	List Price
Arriba Worksurface - Rectangle A			
WS5A242424	Worksurface 24"x24"x24"	NGAB_242424	\$134
WS5A243024	Worksurface 24"x30"x24"	NGAB_242724	\$159
WS5A243624	Worksurface 24"x36"x24"	NGAB_242724	\$170
WS5A303030	Worksurface 30"x30"x30"	NGAB_272727	\$175
WS5A303630	Worksurface 30"x36"x30"	NGAB_272727	\$183
WS5A363036	Worksurface 36"x30"x36"	NGAB_302730	\$274
WS5A363636	Worksurface 36"x36"x36"	NGAB_302730	\$289
WS5A242424R	Worksurface 24"x24"x24"-2" Radius Corners	NGAB_242424	\$161
WS5A243024R	Worksurface 24"x30"x24"-2" Radius Corners	NGAB_242724	\$189
WS5A243624R	Worksurface 24"x36"x24"-2" Radius Corners	NGAB_242724	\$203
WS5A303030R	Worksurface 30"x30"x30"-2" Radius Corners	NGAB_272727	\$208
WS5A303630R	Worksurface 30"x36"x30"-2" Radius Corners	NGAB_272727	\$220
WS5A363036R	Worksurface 36"x30"x36"-2" Radius Corners	NGAB_302730	\$312
WS5A363636R	Worksurface 36"x36"x36"-2" Radius Corners	NGAB_302730	\$330



Arriba Worksurface - Modified Rectangle Straight Front B			
WS5B242424R	Worksurface 24"x24"x24" - Radius Corners	NGAB_242424	\$161
WS5B273027R	Worksurface 27"x30"x27" - Radius Corners	NGAB_272727	\$202



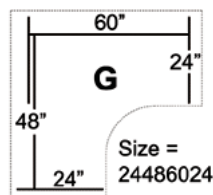
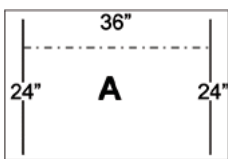
Arriba Worksurface - Modified Rectangle Arc Front C			
WS5C242424R	Worksurface 24"x24"x24" Radius Corners	NGAB_242424	\$161
WS5C273027R	Worksurface 27"x30"x27" Radius Corners	NGAB_272727	\$202



Arriba Worksurface - D-Shape			
WS5D243024	Worksurface 24"x30"x24"	NGAB_242424	\$189
WS5D283628	Worksurface 28"x36"x28"	NGAB_272727	\$216
WS5D243024R	Worksurface 24"x30"x24"-2" Radius Corners	NGAB_242424	\$189
WS5D283628R	Worksurface 28"x36"x28"-2" Radius Corners	NGAB_272727	\$216



Arriba Worksurface - Modified D-Shape E			
WS5E243024	Worksurface 24"x30"x24"	NGAB_242424	\$189
WS5E283628	Worksurface 28"x36"x28"	NGAB_272727	\$216
WS5E243024R	Worksurface 24"x30"x24" Radius Corners	NGAB_242424	\$189
WS5E283628R	Worksurface 28"x36"x28" Radius Corners	NGAB_272727	\$216



NewHeights™ Finish Options

Note: When ordering NewHeights™, please add finish to end of model number.

Cherry Worksurface: WS5G243624**CH**
 Black Base: NGABC242424**B**

See finishes page for additional laminate surface colors with a 2-4 week lead time.

Black Base (B)
Cherry Top (CH)

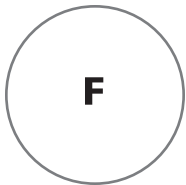
Silver Base (S)
Hardrock Maple Top (HM)

Also Available

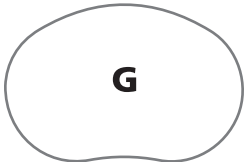


Thermofoil
Glacier White (W)

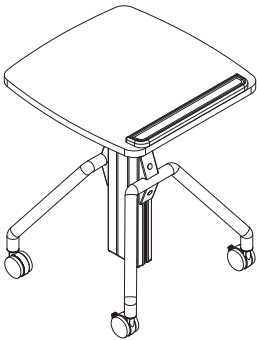
Arriba - Gas Lift Tables



Model #	Description	Base #	List Price
Arriba Worksurface - Round F			
WS5F303030	Worksurface 30" x30" x30"	NGAB_242424	\$208
WS5F363636	Worksurface 36" x36" x36"	NGAB_272727	\$330



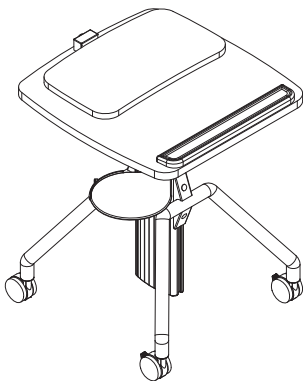
Arriba Worksurface - Bean G			
WS5G243624	Worksurface Bean 24" x36" x24"	NGAB_242424	\$203



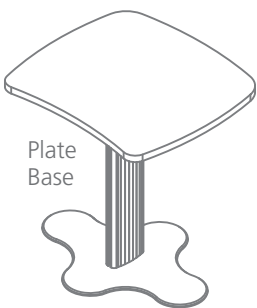
One Tier Thermofoil Laminate Worksurface Only			
WS5B242424RTF	Thermofoil Worksurface Type 5 1-1/8" Modified Rectangle Straight Front 24" x24" x24"	NGABC242424	\$570

BASE ONLY with Casters			
NGABC242424	Arriba 24x24x24 Base w/3" Casters		\$1,079

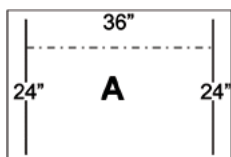
Adjustable height between the two-tier worksurface: 1-1/4" to 1-7/8"



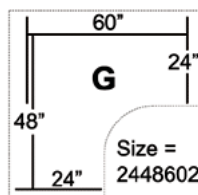
Two Tier Thermally Fused Worksurface Only			
WS5H242424R	Thermally Fused Worksurface Type 5 1-1/8" 2-Tier Mod Rect Straight Front 24" x24" x24" Radius Corners	NGABC242424	\$515
Two Tier Thermofoil Laminate Worksurface Only			
WS5H242424RTF	Thermofoil Worksurface Type 5 1-1/8" 2-Tier Mod Rect Straight Front 24" x24" x24" Radius Corners	NGABC242424	\$796



Gas Lift Table Options			
52294	Power Cord for Gas Lift & VerSIT Tables, Retractable, 20' Total Length, White only		\$174
7125B	Storage Bin for VerSIT and Gas Lift 4" d x 7" h x 12" w. White or Black		\$138
PB24NHGB	Plate Base Only 22" x 30" - black only		\$1,423
PB30NHGB	Plate Base Only 30" x 30" - black only		\$1,801



Size = 243624



Size = 24486024

NewHeights™ Finish Options



Note: When ordering NewHeights™, please add finish to end of model number.

Cherry Worksurface:
WS5G243624**CH**
Black Base: NGABC242424**B**

See finishes page for additional laminate surface colors with a 2-4 week lead time.

Also Available



Thermofoil
Glacier White (W)

VerSIT™ - Mobile Desk with Soft Casters

VerSIT™ provides a comfortable point-of-care mobile workstation ideal for extended shifts that are typical for many healthcare workers.

VerSIT™, height adjustable mobile workstation with unique built-in compact seating, allows multiple users the ability to choose an adjustable worksurface height for standing or sitting as time permits.

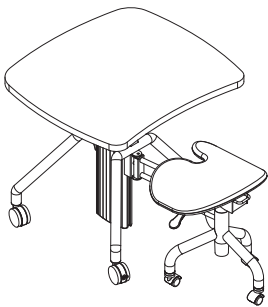
VerSIT™ empowers on-the-move healthcare workers with convenient access to shared resources resulting in increased availability, shortened response times, and improved productivity.

VerSIT™ Specifications:

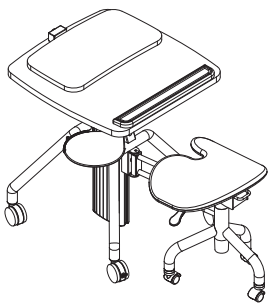
- Gas-spring height adjustable worksurface • 25 lbs. worksurface lift capacity
- Worksurface home position adjusts from 26" - 30", and provides 17" vertical travel
- Pneumatic height adjustable saddle seat with 250 lbs. seat capacity
- Comfortable, built-in saddle seat with whisper-quiet self-locking casters that easily adjust to unique users and tasks
- Seat retracts to home position allowing for easy room-to-room and floor-to-floor transport of single self-contained unit
- Height adjustable seat offers the flexibility to create a supportive atmosphere with patients via positive eye contact; travels from 19" to 26"
- Available in multiple sizes and colors; custom worksurfaces available to coordinate with existing design
- Add-on accessories available including; CPU holder, retractable power cord, monitor arm, lockable notebook station, storage bin and more
- Adjustable height between the two-tier worksurface: 1-1/4" to 1-7/8"
- Worksurface: 10 standard thermally-fused options, white thermofoil, high-pressure laminate and custom colors available (see *Finishes page*)

What is thermally fused?
Thermally fused is made by fusing a paper weighing between 60 and 130 g/m2 directly to a substrate. There is no kraft paper used, and the resulting panel is ready for finishing.

What is thermofoil?
Thermofoil is a plastic material which is thermoformed to the profile of an underlying engineered wood core such as medium-density fiberboard. Thermofoil typically has a high-quality sheen and may incorporate metallic elements in its finish.



Model #	Description	List Price
BASES (Black, Silver, White) with Thermally Fused Laminate Worksurfaces		
VS2730	27" x 30" VerSIT Mobile Desk with Saddle Seat	\$2,126
VS2424__-1	24" x 24" VerSIT Mini Mobile Desk with Saddle Seat and Single Thermally Fused Worksurface	\$2,126
VS2424	24" x 24" VerSIT Mini Mobile Desk with Saddle Seat & Security Ready Laptop Mount	\$2,352



BASE (Black, Silver, White) with Thermofoil Worksurface		
VSTF2424_W-1	24" x 24" VerSIT Mini Mobile Desk with Saddle Seat Single (White) Thermofoil Surface	\$2,406
VSTF2424_W	24" x 24" VerSIT Mini Mobile Desk with Saddle Seat (White) Thermofoil with Seat & Security Laptop Mount	\$2,631

VerSIT™ Options		
52294	Power Cord for Gas Lift & VerSIT Tables, Retractable, 20' Total Length, White only	\$171
712SB	Storage Bin for VerSIT and Gas Lift 4"d x 7"h x 12"w. White or Black	\$135

Standard casters and the Omega casters can be used on both hard and soft surfaces.

NewHeights™ VerSIT™ Colors Options



Finishes

Thermally Fused Laminate

Surface Colors (3mm edge banding)



Pearwood (PW)

Hardrock Maple (HM)

Driftwood (DW)

Macchiato (MO)



Cherry (CH)

Mahogany (MY)

Chocolate Flame (CF)

Gray Matrix (GM)



Black (BK)

Galaxy White (GW)

Base Colors



Black

Silver

Call customer service at 800.298.4351 for high pressure laminate worksurface specific pricing (may be subject to cancellation charge).



Finish Options

(Only Available on Standard 24" Configurations)



Black Base Cherry Top (BCH)

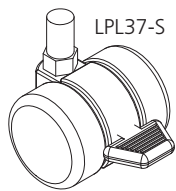
Silver Base Cherry Top (SCH)

Black Base Hardrock Maple Top (BHM)

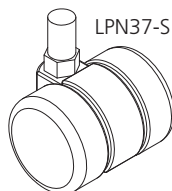
Silver Base Hardrock Maple Top (SHM)

NewHeights™ Options

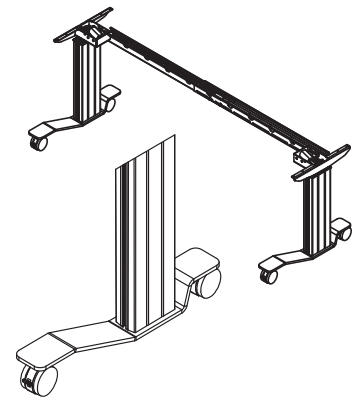
Programmable Control Switch		
53729	TouchFX Fixed Mount Programmable 4 Position Handswitch (switch only)	\$179
Table # - 53729	TouchFX Fixed Mount Programmable 4 Position Handswitch Upgrade (add to list price of table)	\$141
51731	Previous Model Four Position Programmable Control Switch for use with Elegante XT (switch only)	\$148
Table # - 51731	Previous Model Four Position Programmable Control Switch Upgrade for use with Elegante XT (add to list price of table)	\$110
Table # - C	Caster Foot for 24" Deep Workstation (per column), must be ordered with table. For Elegante XT cross support MUST be added.	\$91
Table # - C	Caster Foot for 30" Deep Workstation (per column), must be ordered with table. For Elegante XT cross support MUST be added.	\$91



LPL37-S



LPN37-S



LPL37-S	Add On Locking Caster-Low Profile (soft surface) raises approx. 1.875" does not roll as well as Table#-C (\$/ea)	\$21
LPN37-S	Add On Non-Locking Caster-Low Profile (soft surface) raises approx. 1.875" does not roll as well as Table#-C (\$/ea)	\$21
FCM490	Flex Cable Management (vertical) for height adjustable table, has 22 links, 1,250mm	\$72
Table # - 36NHF	36" foot for NewHeights Elegante XT, Eficiente LT & Fixed Table (excludes caster feet)	\$91
Grommet Hole	Grommet Hole Option 2.37" (price per grommet hole)	\$16
Grommet Insert	Grommet Insert Option 2.375" (price per grommet insert)	\$16

Power and Data Solutions



Power Receptacle
(Flush mount) PSRF



Power Receptacle
(Mini) PSRM



120" Power In-Feed
PSIF120



Power Receptacle
(Large) PSRL



Power Jumper



Splitter Block
PSSB

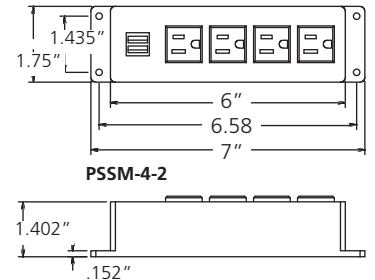


Pop up
Power Receptacle
PSRF-USB-2



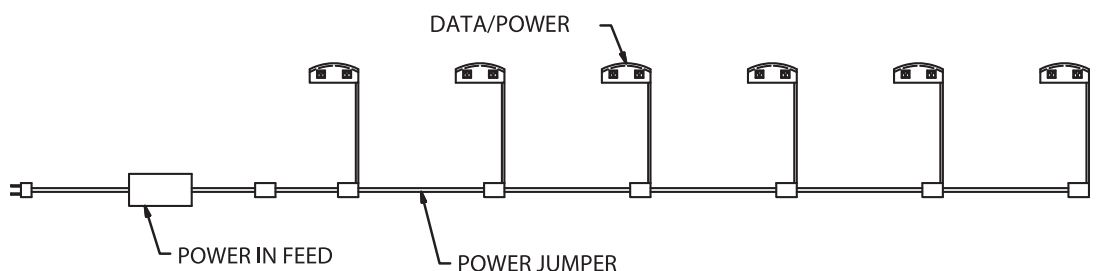
Power Receptacle-
Surface Mount
PSSM-4-2

Model #	Description	List Price
Power and Data Solutions		
PSJ12	12" Power Jumper for use with Power In-Feed & Power Receptacle(s)	\$117
PSJ29	29" Power Jumper for use with Power In-Feed & Power Receptacle(s)	\$117
PSJ53	53" Power Jumper for use with Power In-Feed & Power Receptacle(s)	\$125
PSJ64	64" Power Jumper for use with Power In-Feed & Power Receptacle(s)	\$143
PSJ77	77" Power Jumper for use with Power In-Feed & Power Receptacle(s)	\$148
PSRM	Power Receptacle - Mini for use with Power In-Feed & Power Jumper	\$158
PSRL	Power Receptacle - Large for use with Power In-Feed & Power Jumper	\$169
PSRF	Power Receptacle - Flush mount for use with Power In-Feed & Power Jumper	\$151
PSRF-2	Power Receptacle-Flush Mount-Direct Plug - Includes 2 power outlets, 2 data ports and 108" cord with standard nema plug to plug directly into power source	\$161
PSSB	Splitter Block	\$31
PSIF120	120" Power In-Feed for use with Power Jumper & Power Receptacle(s)	\$357
PSRF-USB-2	Pop up Power Receptacle-Flush Mount-Direct Plug w/2 power outlets, 2 USB chargers & 10 ft. cord	\$233
PSRF-USB	Pop up Power Receptacle-Flush Mount-Perimeter Plug w/2 power outlets, 2 USB chargers and 10 ft cord	\$262
PSSM-4-2	Power Receptacle-Surface Mount-Direct Plug includes 4 power outlets, 2 USB chargers and 10 ft. cord, 120V ~60HZ 12A	\$37



Power Management - Perimeter

- Perimeter is the electrical distribution system that can deliver a "plug and play" solution.
- Perimeter is the first UL 962 approved power system to offer true flexibility and simplicity in re-configuration for office and learning spaces.
- Smart Box Power Infeed (PSIF120) - a component that has a standard NEMA 5-15P 15 amp plug on one end of the cord and a Special Connector on the opposite end of the cord. This device powers the system.
- Just plug in the Smart Box into a standard wall outlet and then add up to eight Power Modules. To reconfigure, unplug the Smart Box, disconnect the Jumper Cables and move the furniture. Then reconnect the Jumper Cables and plug in the Power Box. It is that easy.

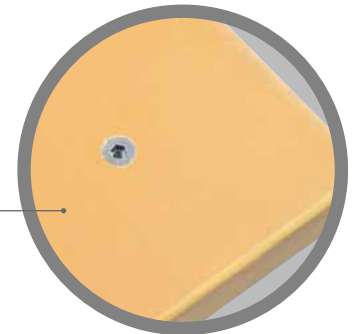


Simplify your workstation solutions with R-Style™ custom furniture. Start with the sleek style of our components, then add your desired worksurface for a unique, free-standing workstation.

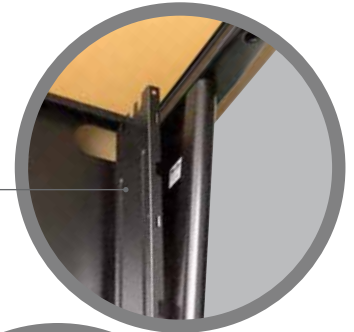
We'll help you create a custom workstation that works for you. You supply the design and measurements of the laminate worksurface, and we'll recommend the R-Style™ bases and supports.

R-Style™ Office Series – a fresh look in affordable office furnishings. From mobile pedestals to standalone training tables to complete desk systems. Mix and match R-Style™ components to meet your individual needs. Call customer service for customization and pricing information.

- Standard width: 36", 48", 60", 72", 96"
- Standard height: 29"
- Steel base with cavity legs for vertical cord management
- Embossed modesty panel.
- Powder coated with durable silver or black finish
- Thermally fused 1-1/8" laminate with 3mm edge banding
- Casters available, low profile, adds 1 1/4" height to unit
- Adjustable glides (5/8" of adjustment)
- Vertical wipe
- BIFMA Tested



Metal Insert (2.375")
(Standard with C-leg only)

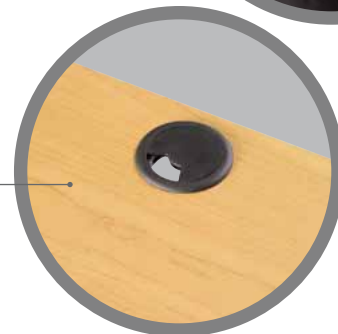


Vertical Wire Management
(Standard with C-leg only)



Wire Management Channel
(Optional) Available in silver or black.

36"	36WM	
48"	48WM	
60"	60WM	
72"	72WM	



Grommet (2.37")
(Optional)

R-Style™ QuickShip Finish Options

Black Base Cherry Top (BCH) Silver Base Cherry Top (SCH)

Black Base Hardrock Maple Top (BHM) Silver Base Hardrock Maple Top (SHM)

Note: When ordering R-Style™, please add finish to end of model number.
Example: RCMAAS243624SCH
(Workstation with Silver Base and Cherry Top)

See finishes page for special order laminate surface colors.

RStyle™ Special Order Sizes and Shapes

Standard Configurations

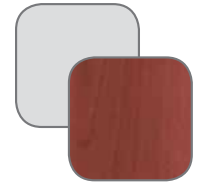
DESCRIPTION	ITEM NO
A 24"D x 36"W x 29"H Workstation	RCMAAS243624
B 24"D x 48"W x 29"H Workstation	RCMAAS244824
C 24"D x 60"W x 29"H Workstation	RCMAAS246024
D 24"D x 72"W x 29"H Workstation	RCMAAS247224
E 24"D x 36"W x 29"H 45° Corner with support leg	2436DC
Must be used with left and right workstations.	
F 30" x 60" x 29"H Peninsula (Includes two support legs)	3060P
G 78" x 60" x 29"H Compact L Workstation	78243060P
H Single Left Flair Workstation	203060FLWS
available with right return (203060FRWS) (30" d x 60" w x 29" h)	
I Half Moon Worksurface (24" d x 48" w)	2448HM
J 30" Upper Shelf (Use with Single Flair Workstation) (30" w x 12" d x 21" h) ...	30FUSL
K 36" Upper Shelf (Use with 36" Workstation) (36" w x 12" d x 21" h)	36USL
L 48" Upper Shelf (Use with 48" Workstation) (48" w x 12" d x 24" h)	48USL
M 60" Upper Shelf (Use with 60" Workstation) (60" w x 12" d x 21" h)	60USL
N Mobile Pedestal - Box/Box/File (15-5/8" w x 22-5/8" d x 25-5/8" h)	500MP
P Mobile Pedestal - File/File (15-3/8" w x 22-1/4" d x 27" h)	502MP



Finish Options
(Only Available on Standard 24" Configurations)



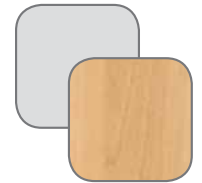
Black Base
Cherry Top (BCH)



Silver Base
Cherry Top (SCH)

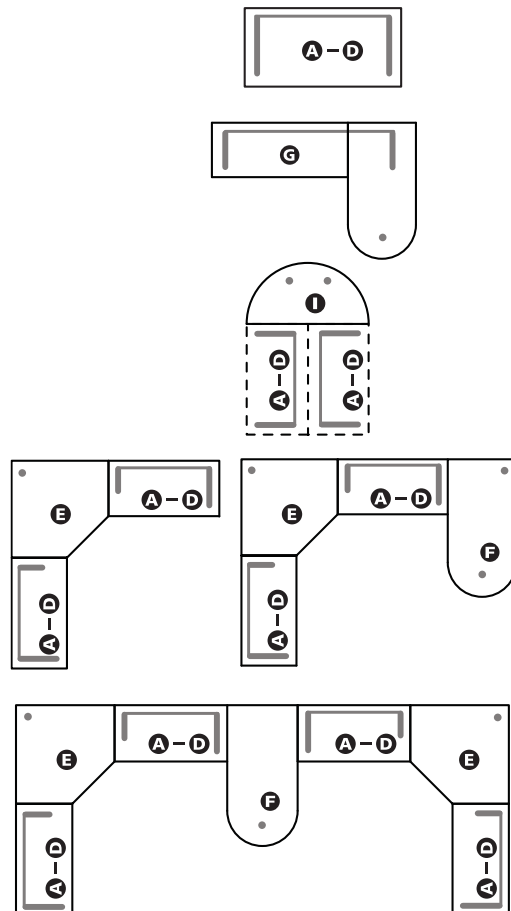


Black Base
Hardrock Maple
Top (BHM)



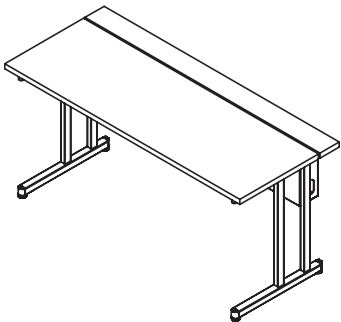
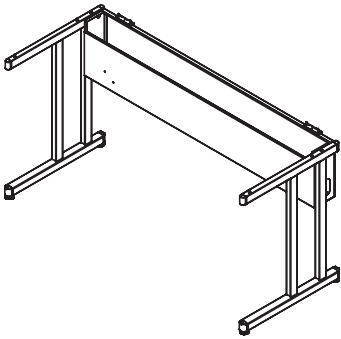
Silver Base
Hardrock Maple
Top (SHM)

Note: 18" and 30" deep workstations are available with additional lead time.



Delta Workstation

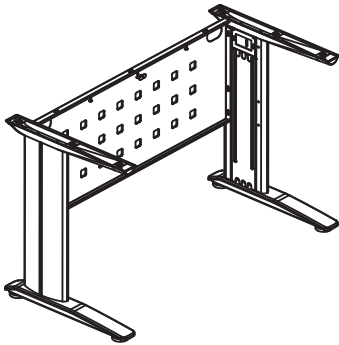
- Features integrated storage and wire management.
- Integrated storage can be locked (optional) for security.
- Durable 1 1/8" thermally-fused laminate with 3mm edge banding.
- Low profile casters available (raises table approximately 2").
- Base Color: Black or Silver
- Worksurface: 10 standard thermally-fused options, high-pressure laminate and custom colors available (see *Finishes page*)



Model #	Description	List Price		
BASE ONLY				
RCDBS243624	Delta Base Std Foot 24" x36" x24"	\$350		
RCDBS244224	Delta Base Std Foot 24" x42" x24"	\$364		
RCDBS246024	Delta Base Std Foot 24" x60" x24"	\$392		
RCDBS246624	Delta Base Std Foot 24" x66" x24"	\$406		
RCDBS247224	Delta Base Std Foot 24" x72" x24"	\$430		
RCDBS247824	Delta Base Std Foot 24" x78" x24"	\$445		
RCDBS303630	Delta Base Std Foot 30" x36" x30"	\$363		
RCDBS304230	Delta Base Std Foot 30" x42" x30"	\$378		
RCDBS306030	Delta Base Std Foot 30" x60" x30"	\$406		
RCDBS306630	Delta Base Std Foot 30" x66" x30"	\$420		
RCDBS307230	Delta Base Std Foot 30" x72" x30"	\$444		
RCDBS307830	Delta Base Std Foot 30" x78" x30"	\$459		
Delta Base with Worksurface - Rectangle				
RCDAAS243624	24" x36" x24"	RCDBS243624	WS9D243624	\$598
RCDAAS244224	24" x42" x24"	RCDBS244224	WS9D244224	\$629
RCDAAS246024	24" x60" x24"	RCDBS246024	WS9D246024	\$701
RCDAAS246624	24" x66" x24"	RCDBS246624	WS9D246624	\$736
RCDAAS247224	24" x72" x24"	RCDBS247224	WS9D247224	\$783
RCDAAS247824	24" x78" x24"	RCDBS247824	WS9D247824	\$830
RCDAAS303630	30" x36" x30"	RCDBS303630	WS9D303630	\$640
RCDAAS304230	30" x42" x30"	RCDBS304230	WS9D304230	\$695
RCDAAS306030	30" x60" x30"	RCDBS306030	WS9D306030	\$744
RCDAAS306630	30" x66" x30"	RCDBS306630	WS9D306630	\$783
RCDAAS307230	30" x72" x30"	RCDBS307230	WS9D307230	\$833
RCDAAS307830	30" x78" x30"	RCDBS307830	WS9D307830	\$882
WORKSURFACE ONLY				
WS9D243624	Worksurface Type 9 1-1/8" Rectangle 24" x36" x24" TFM	\$248		
WS9D244224	Worksurface Type 9 1-1/8" Rectangle 24" x42" x24" TFM	\$265		
WS9D246024	Worksurface Type 9 1-1/8" Rectangle 24" x60" x24" TFM	\$309		
WS9D246624	Worksurface Type 9 1-1/8" Rectangle 24" x66" x24" TFM	\$330		
WS9D247224	Worksurface Type 9 1-1/8" Rectangle 24" x72" x24" TFM	\$353		
WS9D247824	Worksurface Type 9 1-1/8" Rectangle 24" x78" x24" TFM	\$385		
WS9D303630	Worksurface Type 9 1-1/8" Rectangle 30" x36" x30" TFM	\$277		
WS9D304230	Worksurface Type 9 1-1/8" Rectangle 30" x42" x30" TFM	\$317		
WS9D306030	Worksurface Type 9 1-1/8" Rectangle 30" x60" x30" TFM	\$338		
WS9D306630	Worksurface Type 9 1-1/8" Rectangle 30" x66" x30" TFM	\$363		
WS9D307230	Worksurface Type 9 1-1/8" Rectangle 30" x72" x30" TFM	\$389		
WS9D307830	Worksurface Type 9 1-1/8" Rectangle 30" x78" x30" TFM	\$423		
Locking Options				
DELTA LOCK HOLE - 53964	Tumbler Cam Lock - Bright Nickel, Keyed Differently	\$47		
DELTA LOCK HOLE - 53963	Tumbler Cam Lock - Bright Nickel, Keyed Alike	\$55		

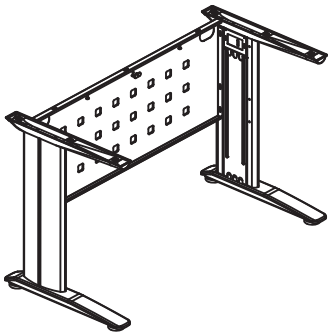
C-Leg with Modesty Panel Workstations

- Training rooms with style – affordable and attractive training table options
- Low profile casters available (raises table 1 1/4")
- Horizontal wire management available
- Steel base with cavity legs for vertical cord management
- High pressure laminates available (extended lead time, call for availability)
- Maximum mounting depth for 24" depth worksurface for accessories is 19"
- Embossed modesty panel powder coated with durable silver or black finish (see *Finishes page*)
- Base Color: Black or Silver
- Worksurface: 10 standard thermally-fused options, high-pressure laminate and custom colors available (see *Finishes page*)

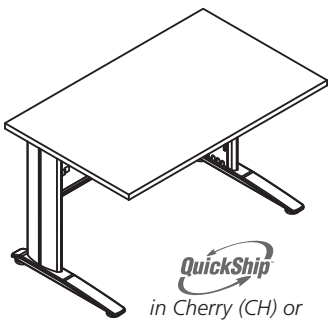


Model #	Description	List Price
BASE ONLY 2-Leg C Leg with Modesty Panel		
RCMBS183618	Base 18" x36" x18"	\$374
RCMBS184818	Base 18" x48" x18"	\$399
RCMBS186018	Base 18" x60" x18"	\$428
RCMBS187218	Base 18" x72" x18"	\$458
RCMBS243624	Base 24" x36" x24"	\$374
RCMBS244824	Base 24" x48" x24"	\$399
RCMBS246024	Base 24" x60" x24"	\$428
RCMBS247224	Base 24" x72" x24"	\$458
RCMBS303630	Base 30" x36" x30"	\$374
RCMBS304830	Base 30" x48" x30"	\$399
RCMBS306030	Base 30" x60" x30"	\$428
RCMBS307230	Base 30" x72" x30"	\$458
RCMBS363636	Base 36" x36" x36"	\$418
RCMBS364836	Base 36" x48" x36"	\$442
RCMBS366036	Base 36" x60" x36"	\$471
RCMBS367236	Base 36" x72" x36"	\$501
RCMBS183624	Base 18" x36" x24"	\$374
RCMBS184824	Base 18" x48" x24"	\$399
RCMBS186024	Base 18" x60" x24"	\$428
RCMBS187224	Base 18" x72" x24"	\$458
RCMBS183630	Base 18" x36" x30"	\$374
RCMBS184830	Base 18" x48" x30"	\$399
RCMBS186030	Base 18" x60" x30"	\$428
RCMBS187230	Base 18" x72" x30"	\$458
RCMBS183636	Base 18" x36" x36"	\$397
RCMBS184836	Base 18" x48" x36"	\$420
RCMBS186036	Base 18" x60" x36"	\$450
RCMBS187236	Base 18" x72" x36"	\$479
RCMBS243618	Base 24" x36" x18"	\$374
RCMBS244818	Base 24" x48" x18"	\$399
RCMBS246018	Base 24" x60" x18"	\$428
RCMBS247218	Base 24" x72" x18"	\$458
RCMBS243630	Base 24" x36" x30"	\$374
RCMBS244830	Base 24" x48" x30"	\$399
RCMBS246030	Base 24" x60" x30"	\$428
RCMBS247230	Base 24" x72" x30"	\$458
RCMBS243636	Base 24" x36" x36"	\$397
RCMBS244836	Base 24" x48" x36"	\$420
RCMBS246036	Base 24" x60" x36"	\$450
RCMBS247236	Base 24" x72" x36"	\$479

C-Leg with Modesty Panel Workstations

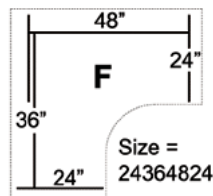
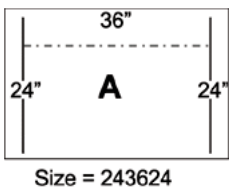


Model #	Description	List Price
RCMBS303618	Base 30"x36"x18"	\$374
RCMBS304818	Base 30"x48"x18"	\$399
RCMBS306018	Base 30"x60"x18"	\$428
RCMBS307218	Base 30"x72"x18"	\$458
RCMBS303624	Base 30"x36"x24"	\$374
RCMBS304824	Base 30"x48"x24"	\$399
RCMBS306024	Base 30"x60"x24"	\$428
RCMBS307224	Base 30"x72"x24"	\$458
RCMBS303636	Base 30"x36"x36"	\$397
RCMBS304836	Base 30"x48"x36"	\$420
RCMBS306036	Base 30"x60"x36"	\$450
RCMBS307236	Base 30"x72"x36"	\$479
RCMBS363618	Base 36"x36"x18"	\$397
RCMBS364818	Base 36"x48"x18"	\$420
RCMBS366018	Base 36"x60"x18"	\$450
RCMBS367218	Base 36"x72"x18"	\$479
RCMBS363624	Base 36"x36"x24"	\$397
RCMBS364824	Base 36"x48"x24"	\$420
RCMBS366024	Base 36"x60"x24"	\$450
RCMBS367224	Base 36"x72"x24"	\$479
RCMBS363630	Base 36"x36"x30"	\$397
RCMBS364830	Base 36"x48"x30"	\$420
RCMBS366030	Base 36"x60"x30"	\$450
RCMBS367230	Base 36"x72"x30"	\$479



QuickShip
in Cherry (CH) or
Hardrock Maple (HM)

Assembly #	Description	Base #	Worksurface #	List Price
C-Leg with Modesty Panel Base with Worksurface - Rectangle				
RCMAAS183618	Rectangle 18"x36"x18"	RCMBS183618	WS1A183618	\$504
RCMAAS184818	Rectangle 18"x48"x18"	RCMBS184818	WS1A183618	\$566
RCMAAS186018	Rectangle 18"x60"x18"	RCMBS186018	WS1A186018	\$656
RCMAAS187218	Rectangle 18"x72"x18"	RCMBS187218	WS1A186018	\$701
RCMAAS243624	Rectangle 24"x36"x24"	RCMBS243624	WS1A243624	\$544
RCMAAS244824	Rectangle 24"x48"x24"	RCMBS244824	WS1A244824	\$618
RCMAAS246024	Rectangle 24"x60"x24"	RCMBS246024	WS1A246024	\$724
RCMAAS247224	Rectangle 24"x72"x24"	RCMBS247224	WS1A247224	\$776
RCMAAS303630	Rectangle 30"x36"x30"	RCMBS303630	WS1A303630	\$557
RCMAAS304830	Rectangle 30"x48"x30"	RCMBS304830	WS1A304830	\$634
RCMAAS306030	Rectangle 30"x60"x30"	RCMBS306030	WS1A306030	\$750
RCMAAS307230	Rectangle 30"x72"x30"	RCMBS307230	WS1A307230	\$797



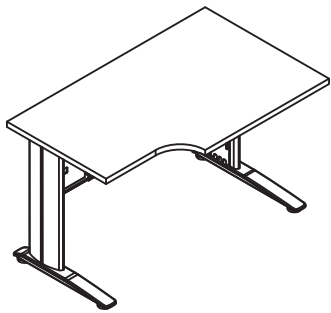
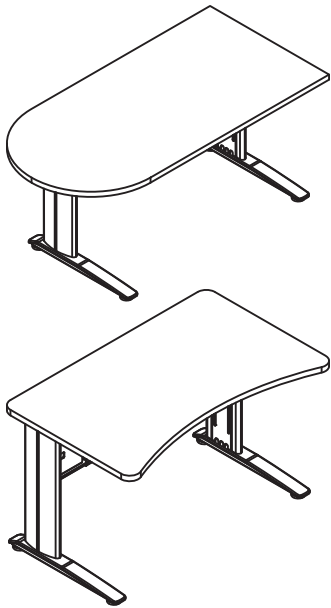
R-Style™ Finish Options

Note: When ordering R-Style™, please add finish to end of model number.

Workstation with: Silver Base and Cherry Top
Example: RCBAAS243624SCH

See finishes page for additional laminate surface colors with a 2-4 week lead time.

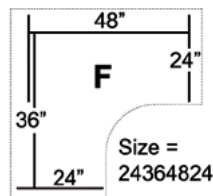
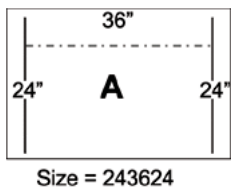
C-Leg with Modesty Panel Workstations



Assembly #	Description	Base #	Worksurface #	List Price
C-Leg with Modesty Panel Base with Worksurface - Peninsula				
RCMADLS306030	Peninsula Left Radius 30"x60"x30"	RCMBS304830	WS1DL306030	\$755
RCMADLS307230	Peninsula Left Radius 30"x72"x30"	RCMBS306030	WS1DL307230	\$807
RCMADRS306030	Peninsula Right Radius 30"x60"x30"	RCMBS304830	WS1DR306030	\$755
RCMADRS307230	Peninsula Right Radius 30"x72"x30"	RCMBS306030	WS1DR307230	\$807

C-Leg with Modesty Panel Base with Worksurface - Bow Front				
RCMAES243624R	Bow Front 24x36x24 Radius Corner	RCMBS243624	WS1E243624R	\$577
RCMAES244824R	Bow Front 24x48x24 Radius Corner	RCMBS244824	WS1E244824R	\$658
RCMAES246024R	Bow Front 24x60x24 Radius Corner	RCMBS246024	WS1E246024R	\$772
RCMAES247224R	Bow Front 24x72x24 Radius Corner	RCMBS247224	WS1E247224R	\$830
RCMAES303630R	Bow Front 30x36x30 Radius Corner	RCMBS303630	WS1E303630R	\$594
RCMAES304830R	Bow Front 30x48x30 Radius Corner	RCMBS304830	WS1E304830R	\$678
RCMAES306030R	Bow Front 30x60x30 Radius Corner	RCMBS306030	WS1E306030R	\$801
RCMAES307230R	Bow Front 30x72x30 Radius Corner	RCMBS307230	WS1E307230R	\$854

C-Leg with Modesty Panel Base with Worksurface - 2 Leg				
RCMAFS24364824	2 Leg L 24x36x48x24	RCMBS364824	WS1F24364824	\$950
RCMAFS24366024	2 Leg L 24x36x60x24	RCMBS366024	WS1F24366024	\$1,162
RCMAFS24367224	2 Leg L 24x36x72x24	RCMBS367224	WS1F24367224	\$1,261
RCMAFS24424824	2 Leg L 24x42x48x24	RCMBS364818	WS1F24424824	\$986
RCMAFS24426024	2 Leg L 24x42x60x24	RCMBS366024	WS1F24426024	\$1,205
RCMAFS24427224	2 Leg L 24x42x72x24	RCMBS367224	WS1F24427230	\$1,310
RCMAFS24483624	2 Leg L 24x48x36x24	RCMBS244836	WS1F24483624	\$950
RCMAFS24484224	2 Leg L 24x48x42x24	RCMBS244836	WS1F24484224	\$986
RCMAFS24603624	2 Leg L 24x60x36x24	RCMBS246036	WS1F24603624	\$1,162
RCMAFS24604224	2 Leg L 24x60x42x24	RCMBS246036	WS1F24604224	\$1,205
RCMAFS24723624	2 Leg L 24x72x36x24	RCMBS247236	WS1F24723624	\$1,261
RCMAFS24724224	2 Leg L 24x72x42x24	RCMBS247236	WS1F24724224	\$1,312
RCMAFS30426030	2 Leg L 30x42x60x30	RCMBS366030	WS1F30426030	\$1,201
RCMAFS30427230	2 Leg L 30x42x72x30	RCMBS367230	WS1F30427230	\$1,309
RCMAFS30604230	2 Leg L 30x60x42x30	RCMBS306036	WS1F30604230	\$1,201
RCMAFS30724230	2 Leg L 30x72x42x30	RCMBS307236	WS1F30724230	\$1,309
RCMAFS24426030	2 Leg L 24x42x60x30	RCMBS366030	WS1F24426030	\$1,203
RCMAFS24427230	2 Leg L 24x42x72x30	RCMBS367230	WS1F24427230	\$1,310
RCMAFS24603630	2 Leg L 24x60x36x30	RCMBS246036	WS1F24603630	\$1,160
RCMAFS24604230	2 Leg L 24x60x42x30	RCMBS246036	WS1F24604230	\$1,203
RCMAFS24723630	2 Leg L 24x72x36x30	RCMBS247236	WS1F24723630	\$1,259
RCMAFS24724230	2 Leg L 24x72x42x30	RCMBS247236	WS1F24724230	\$1,310
RCMAFS30366024	2 Leg L 30x36x60x24	RCMBS366024	WS1F30366024	\$1,160
RCMAFS30367224	2 Leg L 30x36x72x24	RCMBS366024	WS1F30367224	\$1,259
RCMAFS30426024	2 Leg L 30x42x60x24	RCMBS366024	WS1F30426024	\$1,203
RCMAFS30427224	2 Leg L 30x42x72x24	RCMBS367224	WS1F30427224	\$1,310
RCMAFS30604224	2 Leg L 30x60x42x24	RCMBS306036	WS1F30604224	\$1,203
RCMAFS30724224	2 Leg L 30x72x42x24	RCMBS307236	WS1F30724224	\$1,310



R-Style™ Finish Options

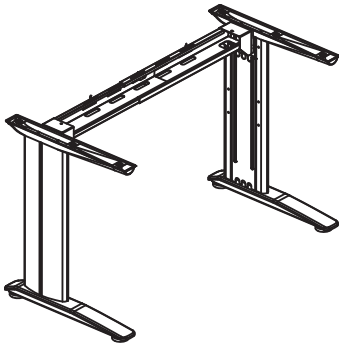
Note: When ordering R-Style™, please add finish to end of model number.

Workstation with:
Silver Base and Cherry Top
Example: RCBAAS243624SCH

See finishes page for additional laminate surface colors with a 2-4 week lead time.

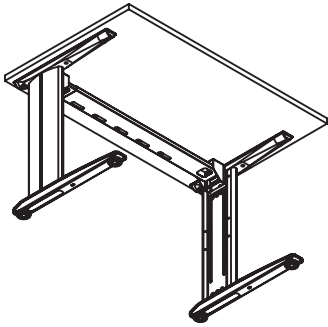
C-Leg with Adjustable Beam Workstations

- Training rooms with style – affordable and attractive training table options
- Low profile casters available (raises table 1 1/4")
- Horizontal and vertical wire management available
- Optional hanging modesty panel
- Steel base with cavity legs for vertical cord management
- High pressure laminates available (extended lead time, call for availability)
- Maximum mounting depth for 24" depth worksurface for accessories is 15"
- Maximum mounting depth for 30" depth worksurface for accessories is 21"
- Base Color: Black or Silver
- Worksurface: 10 standard thermally-fused options, high-pressure laminate and custom colors available (see *Finishes page*)

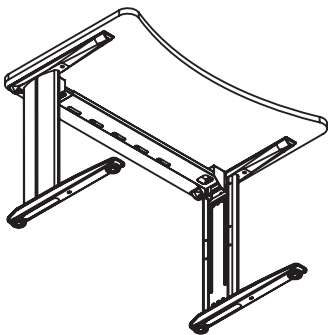


Model #	Description	List Price
BASE ONLY 2-Leg C Leg with Adjustable Beam		
RCBBS183418	Base 18"x34"to51.99" (adjustable)x18"	\$427
RCBBS183424	Base 18"x34"to51.99" (adjustable)x24"	\$427
RCBBS183430	Base 18"x34"to51.99" (adjustable)x30"	\$427
RCBBS183436	Base 18"x34"to51.99" (adjustable)x36"	\$450
RCBBS185218	Base 18"x52"to76" (adjustable)x18"	\$460
RCBBS185224	Base 18"x52"to76" (adjustable)x24"	\$460
RCBBS185230	Base 18"x52"to76" (adjustable)x30"	\$460
RCBBS185236	Base 18"x52"to76" (adjustable)x36"	\$481
RCBBS243418	Base 24"x34"to51.99" (adjustable)x18"	\$427
RCBBS243424	Base 24"x34"to51.99" (adjustable)x24"	\$427
RCBBS243430	Base 24"x34"to51.99" (adjustable)x30"	\$427
RCBBS243436	Base 24"x34"to51.99" (adjustable)x36"	\$450
RCBBS245218	Base 24"x52"to76" (adjustable)x18"	\$460
RCBBS245224	Base 24"x52"to76" (adjustable)x24"	\$460
RCBBS245230	Base 24"x52"to76" (adjustable)x30"	\$460
RCBBS245236	Base 24"x52"to76" (adjustable)x36"	\$481
RCBBS303418	Base 30"x34"to51.99" (adjustable)x18"	\$427
RCBBS303424	Base 30"x34"to51.99" (adjustable)x24"	\$427
RCBBS303430	Base 30"x34"to51.99" (adjustable)x30"	\$427
RCBBS303436	Base 30"x34"to51.99" (adjustable)x36"	\$450
RCBBS305218	Base 30"x52"to76" (adjustable)x18"	\$460
RCBBS305224	Base 30"x52"to76" (adjustable)x24"	\$460
RCBBS305230	Base 30"x52"to76" (adjustable)x30"	\$460
RCBBS305236	Base 30"x52"to76" (adjustable)x36"	\$481
RCBBS363418	Base 36"x34"to51.99" (adjustable)x18"	\$450
RCBBS363424	Base 36"x34"to51.99" (adjustable)x24"	\$450
RCBBS363430	Base 36"x34"to51.99" (adjustable)x30"	\$450
RCBBS363436	Base 36"x34"to51.99" (adjustable)x36"	\$471
RCBBS365218	Base 36"x52"to76" (adjustable)x18"	\$481
RCBBS365224	Base 36"x52"to76" (adjustable)x24"	\$481
RCBBS365230	Base 36"x52"to76" (adjustable)x30"	\$481
RCBBS365236	Base 36"x52"to76" (adjustable)x36"	\$503

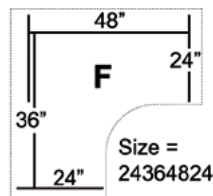
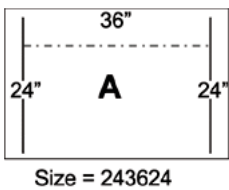
C-Leg with Adjustable Beam Workstations



Assembly #	Description	Base #	Worksurface #	List Price
C-Leg with Adjustable Beam Base with Worksurface - Rectangle				
RCBAAS183618	Rectangle 18"x36"x18"	RCBBS183418	WS1A183618	\$557
RCBAAS184818	Rectangle 18"x48"x18"	RCBBS183418	WS1A184818	\$594
RCBAAS186018	Rectangle 18"x60"x18"	RCBBS185218	WS1A186018	\$688
RCBAAS187218	Rectangle 18"x72"x18"	RCBBS185218	WS1A187218	\$703
RCBAAS243624	Rectangle 24"x36"x24"	RCBBS243424	WS1A243624	\$597
RCBAAS244824	Rectangle 24"x48"x24"	RCBBS243424	WS1A244824	\$646
RCBAAS246024	Rectangle 24"x60"x24"	RCBBS245224	WS1A246024	\$756
RCBAAS247224	Rectangle 24"x72"x24"	RCBBS245224	WS1A247224	\$778
RCBAAS303630	Rectangle 30"x36"x30"	RCBBS303424	WS1A303630	\$610
RCBAAS304830	Rectangle 30"x48"x30"	RCBBS303424	WS1A304830	\$662
RCBAAS306030	Rectangle 30"x60"x30"	RCBBS305230	WS1A306030	\$782
RCBAAS307230	Rectangle 30"x72"x30"	RCBBS305230	WS1A307230	\$799



C-Leg with Adjustable Beam Base with Worksurface - Bow Front				
RCBAES243624R	Bow Front 24x36x24 Radius Corner	RCBBS243424	WS1E243624R	\$630
RCBAES244824R	Bow Front 24x48x24 Radius Corner	RCBBS243424	WS1E244824R	\$686
RCBAES246024R	Bow Front 24x60x24 Radius Corner	RCBBS245224	WS1E246024R	\$804
RCBAES247224R	Bow Front 24x72x24 Radius Corner	RCBBS245224	WS1E247224R	\$832
RCBAES303630R	Bow Front 30x36x30 Radius Corner	RCBBS303430	WS1E303630R	\$647
RCBAES304830R	Bow Front 30x48x30 Radius Corner	RCBBS303430	WS1E304830R	\$706
RCBAES306030R	Bow Front 30x60x30 Radius Corner	RCBBS305230	WS1E306030R	\$833
RCBAES307230R	Bow Front 30x72x30 Radius Corner	RCBBS305230	WS1E307230R	\$856



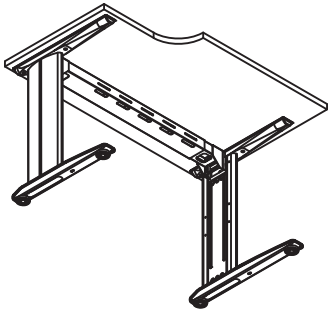
R-Style™ Finish Options

Note: When ordering R-Style™, please add finish to end of model number.

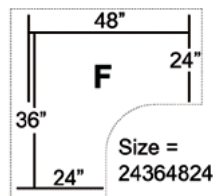
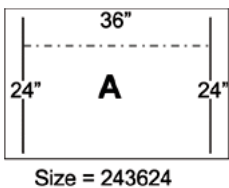
Workstation with:
Silver Base and Cherry Top
Example: RCBAAS243624SCH

See finishes page for additional laminate surface colors with a 2-4 week lead time.

C-Leg with Adjustable Beam Workstations



Assembly #	Description	Base #	Worksurface #	List Price
C-Leg with Adjustable Beam Base with Worksurface - 2 Leg				
RCBAFS24364824	2 Leg L 24x36x48x24	RCBBS363424	WS1F24364824	\$980
RCBAFS24366024	2 Leg L 24x36x60x24	RCBBS365224	WS1F24366024	\$1,193
RCBAFS24367224	2 Leg L 24x36x72x24	RCBBS365224	WS1F24367224	\$1,263
RCBAFS24424824	2 Leg L 24x42x48x24	RCBBS363424	WS1F24424824	\$1,016
RCBAFS24426024	2 Leg L 24x42x60x24	RCBBS365224	WS1F24426024	\$1,236
RCBAFS24427224	2 Leg L 24x42x72x24	RCBBS365224	WS1F24426030	\$1,234
RCBAFS24483624	2 Leg L 24x48x36x24	RCBBS243436	WS1F24427224	\$1,283
RCBAFS24484224	2 Leg L 24x48x42x24	RCBBS243436	WS1F24427230	\$1,281
RCBAFS24603624	2 Leg L 24x60x36x24	RCBBS245236	WS1F24483624	\$1,011
RCBAFS24604224	2 Leg L 24x60x42x24	RCBBS245236	WS1F24484224	\$1,047
RCBAFS24723624	2 Leg L 24x72x36x24	RCBBS245236	WS1F24603624	\$1,193
RCBAFS24724224	2 Leg L 24x72x42x24	RCBBS245236	WS1F24603630	\$1,191
RCBAFS30426030	2 Leg L 30x42x60x30	RCBBS365230	WS1F24604224	\$1,236
RCBAFS30427230	2 Leg L 30x42x72x30	RCBBS365230	WS1F24604230	\$1,234
RCBAFS30604230	2 Leg L 30x60x42x30	RCBBS305236	WS1F24723624	\$1,263
RCBAFS30724230	2 Leg L 30x72x42x30	RCBBS305236	WS1F24723630	\$1,261
RCBAFS24426030	2 Leg L 24x42x60x30	RCBBS365230	WS1F24724224	\$1,314
RCBAFS24427230	2 Leg L 24x42x72x30	RCBBS365230	WS1F24724230	\$1,312
RCBAFS24603630	2 Leg L 24x60x36x30	RCBBS245236	WS1F30366024	\$1,191
RCBAFS24604230	2 Leg L 24x60x42x30	RCBBS245236	WS1F30367224	\$1,261
RCBAFS24723630	2 Leg L 24x72x36x30	RCBBS245236	WS1F30426024	\$1,234
RCBAFS24724230	2 Leg L 24x72x42x30	RCBBS245236	WS1F30426030	\$1,232
RCBAFS30366024	2 Leg L 30x36x60x24	RCBBS365224	WS1F30427224	\$1,312
RCBAFS30367224	2 Leg L 30x36x72x24	RCBBS365224	WS1F30427230	\$1,311
RCBAFS30426024	2 Leg L 30x42x60x24	RCBBS365224	WS1F30604224	\$1,234
RCBAFS30427224	2 Leg L 30x42x72x24	RCBBS365224	WS1F30604230	\$1,232
RCBAFS30604224	2 Leg L 30x60x42x24	RCBBS305236	WS1F30724224	\$1,312
RCBAFS30724224	2 Leg L 30x72x42x24	RCBBS305236	WS1F30724230	\$1,311



R-Style™ Finish Options

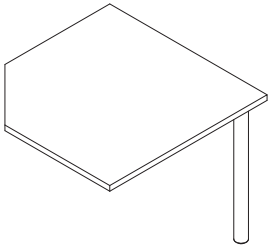
Note: When ordering R-Style™, please add finish to end of model number.

Workstation with:
Silver Base and Cherry Top
Example: RCBAAS243624SCH

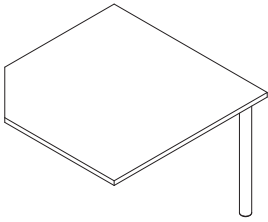
See finishes page for additional laminate surface colors with a 2-4 week lead time.

Black Base Cherry Top (BCH) Silver Base Hardrock Maple Top (SHM)

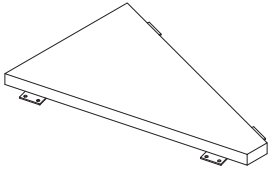
C-Series Workstations Special Shapes



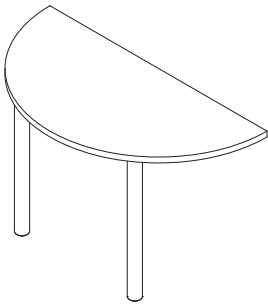
Model #	Description	List Price
C-Leg Steel Base Workstation / Training Table (Thermally Fused)		
2436DC	45 Degree 24" x 36" (includes support leg) (Thermally Fused)	\$400



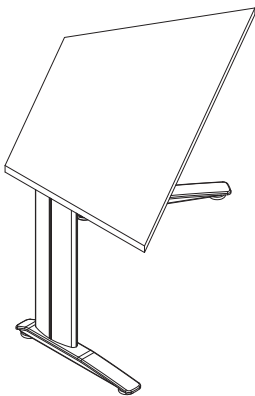
C-Leg Steel Base Workstation / Training Table (Thermally Fused)		
3042DC	45 Degree 30" x 42" (Includes support leg) (Thermally Fused)	\$439



C-Leg Steel Base Workstation / Training Table (Thermally Fused)		
2430WEG	24" Deep x 30° Wedge (Thermally Fused) - (Custom sizes available call for pricing)	\$149



C-Leg Steel Base Workstation / Training Table (Thermally Fused)		
2448HM	24" x 48" Half Moon (with 2 support legs)	\$398



C-Leg Steel Base Workstation / Training Table (Thermally Fused)		
2460WSTR	24" x 60" C-Leg Trapezoid Desk (Thermally Fused)	\$772

R-Style™ Finish Options

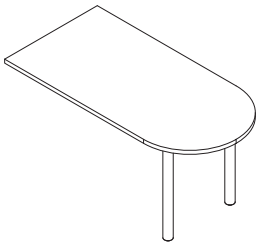


Note: When ordering R-Style™, please add finish to end of model number.

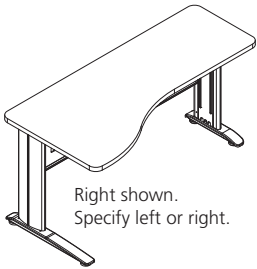
Workstation with: Silver Base and Cherry Top
Example: RCBAAS243624SCH

See finishes page for additional laminate surface colors with a 2-4 week lead time.

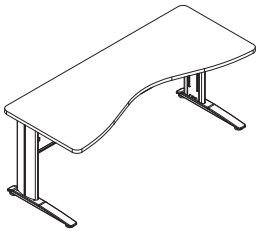
C-Series Workstations Special Shapes



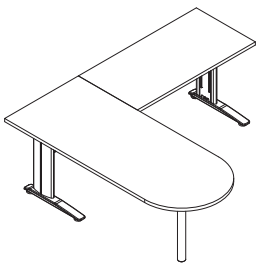
Model #	Description	List Price
C-Leg Steel Base Workstation / Training Table (Thermally Fused)		
3060P	30" x 60" Peninsula (with 2 support legs) (Thermally Fused)	\$404



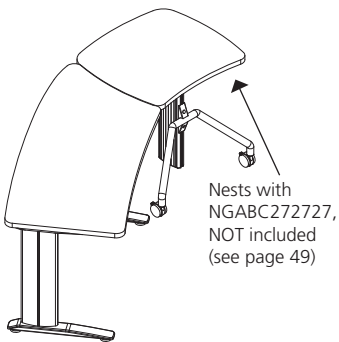
C-Leg Steel Base Workstation / Training Table (Thermally Fused)		
203060FWS	20" x 30" x 60" C-Leg Steel Base Flair Workstation / Training Table (Thermally Fused)	\$731



C-Leg Steel Base Workstation / Training Table (Thermally Fused)		
3072FWS	30" x 72" C-Leg Steel Base Flair Training Table (Thermally Fused) (Specify Left or Right)	\$799



C-Leg Steel Base Workstation / Training Table (Thermally Fused)		
78243060P	Compact L Workstation (Thermally Fused)	\$1,051



C-Leg Steel Base Workstation / Training Table (Thermally Fused)		
N2460WS	24" x 60" Nesting Fixed Table Custom Workstation (nests with #NGA2730WT-C)	\$833

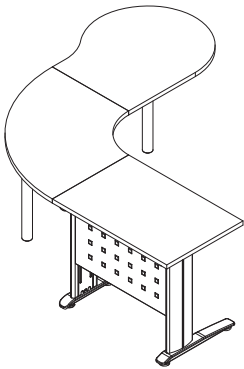
R-Style™ Finish Options

Note: When ordering R-Style™, please add finish to end of model number.

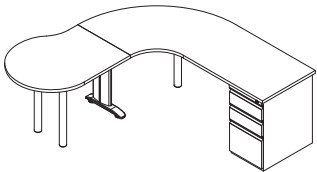
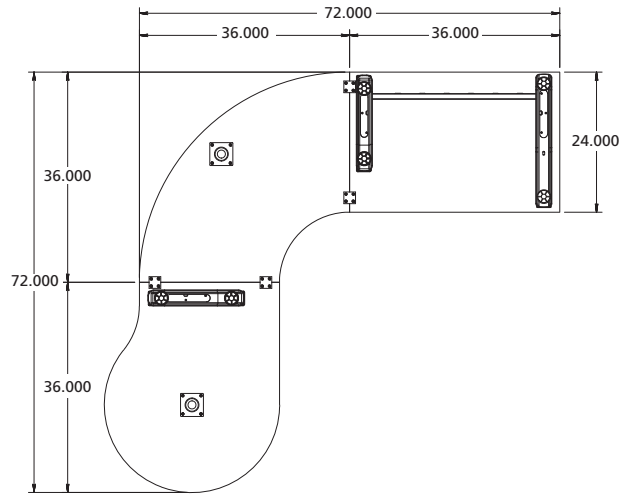
Workstation with:
Silver Base and Cherry Top
Example: RCBAAS243624SCH

See finishes page for additional laminate surface colors with a 2-4 week lead time.

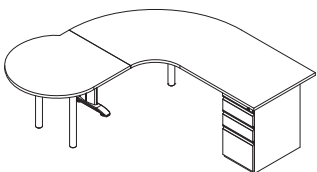
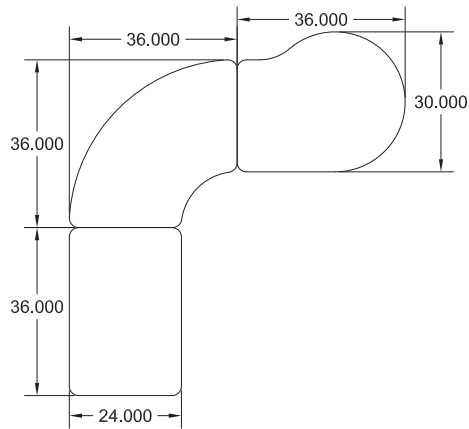
C-Series Plan Workstations



Model #	Description	List Price
Workstations		
2436PL1 (R/L)	Plan 1 L Workstation	\$1,485



Workstations		
PL110-20	Plan 110 Workstation 24" x 72" x 78" with Stationary Box/Box/File	\$1,461
PL110-22	Plan 110 Workstation 24" x 72" x 78" with Stationary File/File	\$1,461



Workstations		
PL120-20	Plan 120 Workstation 30" x 72" x 78" with Stationary Box/Box/File - Similar to PL110	\$1,498
PL120-22	Plan 120 Workstation 30" x 72" x 78" with Stationary File/File - Similar to PL110	\$1,498

R-Style™ Finish Options

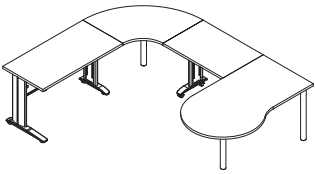


Note: When ordering R-Style™, please add finish to end of model number.

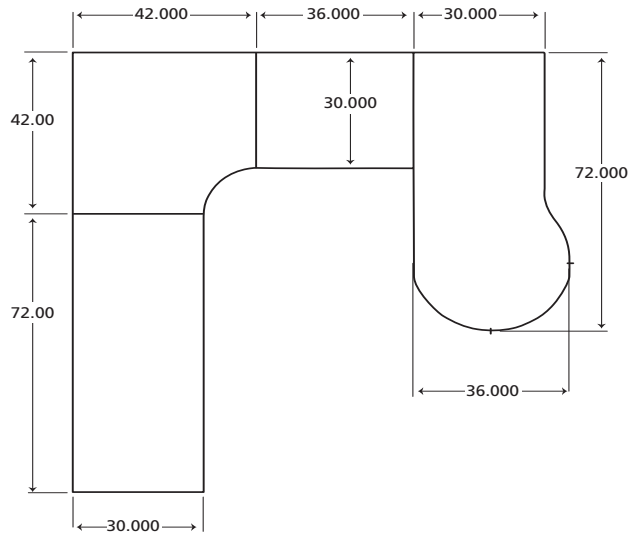
Workstation with: Silver Base and Cherry Top
Example: RCBAAS243624SCH

See finishes page for additional laminate surface colors with a 2-4 week lead time.

C-Series Plan Workstations



Model #	Description	List Price
Workstations		
PL320	Plan 320 Workstation	\$2,629



R-Style™ Finish Options



Note: When ordering R-Style™, please add finish to end of model number.

Workstation with: Silver Base and Cherry Top
Example: RCBAAS243624SCH

See finishes page for additional laminate surface colors with a 2-4 week lead time.

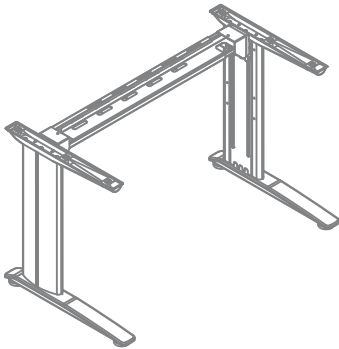
Screw Height Leg with Adjustable Beam Tables

Steel base with cavity legs for vertical cord management. Horizontal and vertical wire management channels available.

- Standard width: 36", 48", 60", 72"

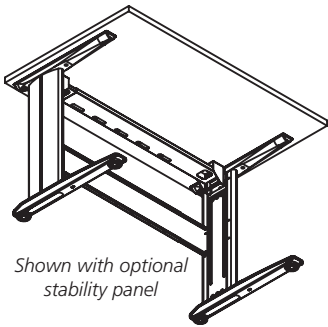
SA Series leg with adjustable glide, and no worksurface:

- Adjustment range 27" to 34"
- Adjustment range with low profile casters 28-1/8" to 35-1/8"
- Nine adjustable positions in 0.787" increments
- Under Desk Clearance: 21.25" on 30" worksurface, 15.25" on 24" worksurface
- Base Color: Black or Silver
- Worksurface: 10 standard thermally-fused options, high-pressure laminate and custom colors available (see *Finishes page*)

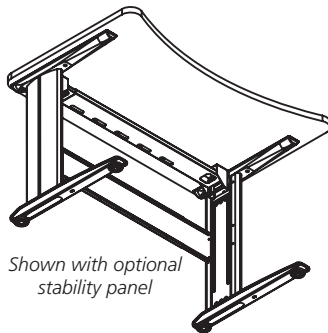


Model #	Description	List Price
BASE ONLY Screw Height Leg with Adjustable Beam		
RSBBS183418	Base 18"x34"to51.99" (adjustable)x18"	\$538
RSBBS183424	Base 18"x34"to51.99" (adjustable)x24"	\$538
RSBBS183430	Base 18"x34"to51.99" (adjustable)x30"	\$538
RSBBS183436	Base 18"x34"to51.99" (adjustable)x36"	\$560
RSBBS185218	Base 18"x52"to76" (adjustable)x18"	\$570
RSBBS185224	Base 18"x52"to76" (adjustable)x24"	\$570
RSBBS185230	Base 18"x52"to76" (adjustable)x30"	\$570
RSBBS185236	Base 18"x52"to76" (adjustable)x36"	\$592
RSBBS243418	Base 24"x34"to51.99" (adjustable)x18"	\$538
RSBBS243424	Base 24"x34"to51.99" (adjustable)x24"	\$538
RSBBS243430	Base 24"x34"to51.99" (adjustable)x30"	\$538
RSBBS243436	Base 24"x34"to51.99" (adjustable)x36"	\$560
RSBBS245218	Base 24"x52"to76" (adjustable)x18"	\$570
RSBBS245224	Base 24"x52"to76" (adjustable)x24"	\$570
RSBBS245230	Base 24"x52"to76" (adjustable)x30"	\$570
RSBBS245236	Base 24"x52"to76" (adjustable)x36"	\$592
RSBBS303418	Base 30"x34"to51.99" (adjustable)x18"	\$538
RSBBS303424	Base 30"x34"to51.99" (adjustable)x24"	\$538
RSBBS303430	Base 30"x34"to51.99" (adjustable)x30"	\$538
RSBBS303436	Base 30"x34"to51.99" (adjustable)x36"	\$560
RSBBS305218	Base 30"x52"to76" (adjustable)x18"	\$570
RSBBS305224	Base 30"x52"to76" (adjustable)x24"	\$570
RSBBS305230	Base 30"x52"to76" (adjustable)x30"	\$570
RSBBS305236	Base 30"x52"to76" (adjustable)x36"	\$592
RSBBS363418	Base 36"x34"to51.99" (adjustable)x18"	\$560
RSBBS363424	Base 36"x34"to51.99" (adjustable)x24"	\$560
RSBBS363430	Base 36"x34"to51.99" (adjustable)x30"	\$560
RSBBS363436	Base 36"x34"to51.99" (adjustable)x36"	\$580
RSBBS365218	Base 36"x52"to76" (adjustable)x18"	\$592
RSBBS365224	Base 36"x52"to76" (adjustable)x24"	\$592
RSBBS365230	Base 36"x52"to76" (adjustable)x30"	\$592
RSBBS365236	Base 36"x52"to76" (adjustable)x36"	\$612

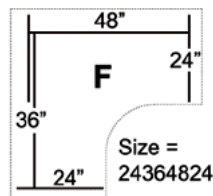
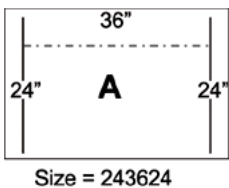
Screw Height Leg with Adjustable Beam Tables



Assembly #	Description	Base #	Worksurface #	List Price
Screw Height Base with Worksurface - Rectangle				
RSBAAS183618	Rectangle 18"x36"x18"	RSBBS183418	WS1A183618	\$668
RSBAAS184818	Rectangle 18"x48"x18"	RSBBS183418	WS1A184818	\$705
RSBAAS186018	Rectangle 18"x60"x18"	RSBBS185218	WS1A186018	\$798
RSBAAS187218	Rectangle 18"x72"x18"	RSBBS185218	WS1A187218	\$813
RSBAAS243624	Rectangle 24"x36"x24"	RSBBS243424	WS1A243624	\$708
RSBAAS244824	Rectangle 24"x48"x24"	RSBBS243424	WS1A244824	\$757
RSBAAS246024	Rectangle 24"x60"x24"	RSBBS245224	WS1A246024	\$866
RSBAAS247224	Rectangle 24"x72"x24"	RSBBS245224	WS1A247224	\$888
RSBAAS303630	Rectangle 30"x36"x30"	RSBBS303424	WS1A303630	\$721
RSBAAS304830	Rectangle 30"x48"x30"	RSBBS303424	WS1A304830	\$773
RSBAAS306030	Rectangle 30"x60"x30"	RSBBS305230	WS1A306030	\$892
RSBAAS307230	Rectangle 30"x72"x30"	RSBBS305230	WS1A307230	\$909



Screw Height Base with Worksurface - Bow Front				
RSBAES243624R	Bow Front 24x36x24 Radius Corner	RSBBS243424	WS1E243624R	\$741
RSBAES244824R	Bow Front 24x48x24 Radius Corner	RSBBS243424	WS1E244824R	\$797
RSBAES246024R	Bow Front 24x60x24 Radius Corner	RSBBS245224	WS1E246024R	\$914
RSBAES247224R	Bow Front 24x72x24 Radius Corner	RSBBS245224	WS1E247224R	\$942
RSBAES303630R	Bow Front 30x36x30 Radius Corner	RSBBS303430	WS1E303630R	\$758
RSBAES304830R	Bow Front 30x48x30 Radius Corner	RSBBS303430	WS1E304830R	\$817
RSBAES306030R	Bow Front 30x60x30 Radius Corner	RSBBS305230	WS1E306030R	\$943
RSBAES307230R	Bow Front 30x72x30 Radius Corner	RSBBS305230	WS1E307230R	\$966



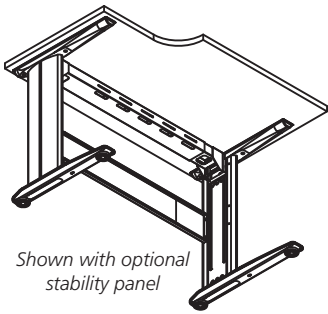
R-Style™ Finish Options

Note: When ordering R-Style™, please add finish to end of model number.

Workstation with: Silver Base and Cherry Top
Example: RCBAAS243624SCH

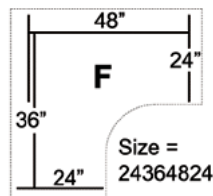
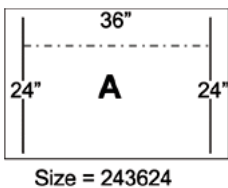
See finishes page for additional laminate surface colors with a 2-4 week lead time.

Screw Height Leg with Adjustable Beam Tables



Assembly #	Description	Base #	Worksurface #	List Price
Screw Height Base with Worksurface - 2 Leg				
RSBAFS24364824	2 Leg L 24x36x48x24	RSBBS363424	WS1F24364824	\$1,090
RSBAFS24366024	2 Leg L 24x36x60x24	RSBBS365224	WS1F24366024	\$1,304
RSBAFS24367224	2 Leg L 24x36x72x24	RSBBS365224	WS1F24367224	\$1,374
RSBAFS24424824	2 Leg L 24x42x48x24	RSBBS363424	WS1F24424824	\$1,126
RSBAFS24426024	2 Leg L 24x42x60x24	RSBBS365224	WS1F24426024	\$1,347
RSBAFS24427224	2 Leg L 24x42x72x24	RSBBS365224	WS1F24426030	\$1,345
RSBAFS24483624	2 Leg L 24x48x36x24	RSBBS243436	WS1F24427224	\$1,393
RSBAFS24484224	2 Leg L 24x48x42x24	RSBBS243436	WS1F24427230	\$1,391
RSBAFS24603624	2 Leg L 24x60x36x24	RSBBS245236	WS1F24483624	\$1,122
RSBAFS24604224	2 Leg L 24x60x42x24	RSBBS245236	WS1F24484224	\$1,158
RSBAFS24723624	2 Leg L 24x72x36x24	RSBBS245236	WS1F24603624	\$1,304
RSBAFS24724224	2 Leg L 24x72x42x24	RSBBS245236	WS1F24603630	\$1,302
RSBAFS30427230	2 Leg L 30x42x60x30	RSBBS365230	WS1F24604224	\$1,347
RSBAFS30427230	2 Leg L 30x42x72x30	RSBBS365230	WS1F24604230	\$1,345
RSBAFS30604230	2 Leg L 30x60x42x30	RSBBS305236	WS1F24723624	\$1,374
RSBAFS30724230	2 Leg L 30x72x42x30	RSBBS305236	WS1F24723630	\$1,372
RSBAFS24426030	2 Leg L 24x42x60x30	RSBBS365230	WS1F24724224	\$1,425
RSBAFS24427230	2 Leg L 24x42x72x30	RSBBS365230	WS1F24724230	\$1,423
RSBAFS24603630	2 Leg L 24x60x36x30	RSBBS245236	WS1F30366024	\$1,302
RSBAFS24604230	2 Leg L 24x60x42x30	RSBBS245236	WS1F30367224	\$1,372
RSBAFS24723630	2 Leg L 24x72x36x30	RSBBS245236	WS1F30426024	\$1,345
RSBAFS24724230	2 Leg L 24x72x42x30	RSBBS245236	WS1F30426030	\$1,343
RSBAFS30366024	2 Leg L 30x36x60x24	RSBBS365224	WS1F30427224	\$1,423
RSBAFS30367224	2 Leg L 30x36x72x24	RSBBS365224	WS1F30427230	\$1,422
RSBAFS30426024	2 Leg L 30x42x60x24	RSBBS365224	WS1F30604224	\$1,345
RSBAFS30427224	2 Leg L 30x42x72x24	RSBBS365224	WS1F30604230	\$1,343
RSBAFS30604224	2 Leg L 30x60x42x24	RSBBS305236	WS1F30724224	\$1,423
RSBAFS30724224	2 Leg L 30x72x42x24	RSBBS305236	WS1F30724230	\$1,422

Screw Height Stability Panel		
52589	Stability Panel for 36" - 52" worksurface, Silver	\$56
52693	Stability Panel for 36" - 52" worksurface, Black	\$56
52824	Stability Panel for 53" - 90" worksurface, Silver	\$109
52823	Stability Panel for 53" - 90" worksurface, Black	\$109



R-Style™ Finish Options

Note: When ordering R-Style™, please add finish to end of model number.

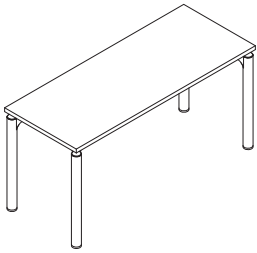
Workstation with:
Silver Base and Cherry Top
Example: RCBAAS243624SCH

See finishes page for additional laminate surface colors with a 2-4 week lead time.

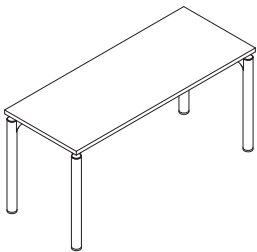
F-Series Floating Leg Tables

- 29" Standard Height
- Custom sizes available
- Available with 18", 24", or 30" D worksurfaces
- Adjustable glides (5/8" of adjustment)
- Optional modesty panels
- Black or silver base
- Floating leg
- Wire management opening diameter is 1.81" (30 mm)
- Worksurface: 10 standard thermally-fused options, high-pressure laminate and custom colors available (see *Finishes page*)

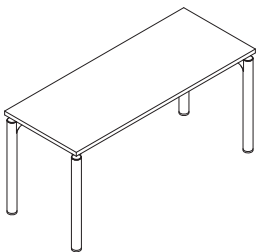
Model #	Description	List Price
Base Only		
RPFB524	18"-30"D x 24"-48"W R-Style Floating Leg Base	\$422
RPFB560	18"-30"D x 60"-72"W R-Style Floating Leg Base	\$427
RPFB584	18"-30"D x 84"-96"W R-Style Floating Leg Base	\$633



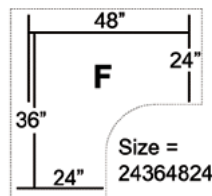
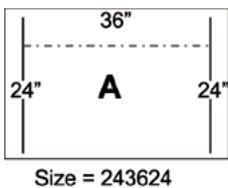
Floating Base with Type 9B 1-1/8" Rectangle Worksurface 18"				
RPFA182418	18x24x18	RPFB524	WS9B182418	\$523
RPFA183018	18x30x18	RPFB524	WS9B183018	\$544
RPFA183618	18x36x18	RPFB524	WS9B183618	\$552
RPFA184818	18x48x18	RPFB524	WS9B184818	\$589
RPFA186018	18x60x18	RPFB560	WS9B186018	\$655
RPFA187218	18x72x18	RPFB560	WS9B187218	\$670
RPFA188418	18x84x18	RPFB584	WS9B188418	\$1,031
RPFA189618	18x96x18	RPFB584	WS9B189618	\$1,046



Floating Base with Type 9B 1-1/8" Rectangle Worksurface 24"				
RPFA242424	24x24x24	RPFB524	WS9B242424	\$556
RPFA243024	24x30x24	RPFB524	WS9B243024	\$581
RPFA243624	24x36x24	RPFB524	WS9B243624	\$592
RPFA244824	24x48x24	RPFB524	WS9B244824	\$641
RPFA246024	24x60x24	RPFB560	WS9B246024	\$723
RPFA247224	24x72x24	RPFB560	WS9B247224	\$745
RPFA248424	24x84x24	RPFB584	WS9B248424	\$1,158
RPFA249624	24x96x24	RPFB584	WS9B249624	\$1,174



Floating Base with Type 9B 1-1/8" Rectangle Worksurface 30"				
RPFA303030	30x30x30	RPFB524	WS9B303030	\$597
RPFA303630	30x36x30	RPFB524	WS9B303630	\$605
RPFA304830	30x48x30	RPFB524	WS9B304830	\$657
RPFA306030	30x60x30	RPFB560	WS9B306030	\$749
RPFA307230	30x72x30	RPFB560	WS9B307230	\$766
RPFA308430	30x84x30	RPFB584	WS9B308430	\$1,199
RPFA309630	30x96x30	RPFB584	WS9B309630	\$1,217



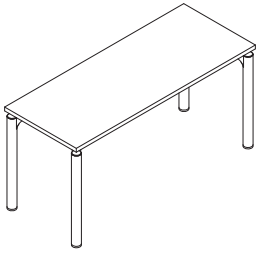
R-Style™ Finish Options

Note: When ordering R-Style™, please add finish to end of model number.

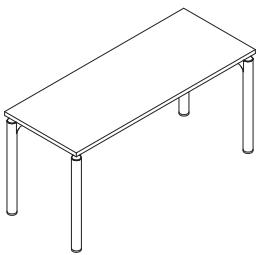
Workstation with:
Silver Base and Cherry Top
Example: RCBAAS243624SCH

See finishes page for additional laminate surface colors with a 2-4 week lead time.

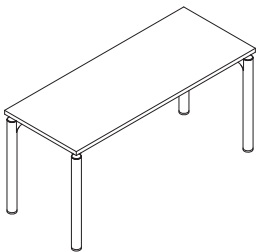
F-Series Floating Leg Tables



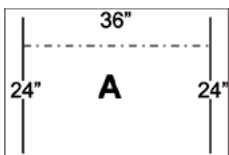
Assembly #	Description	Base #	Worksurface #	List Price
Floating Base with Type 9B 1-1/8" Rectangle Radius Corners Worksurface 18"				
RPFA182418R	18x24x18 Radius Corners	RPFBS24	WS9B182418R	\$547
RPFA183018R	18x30x18 Radius Corners	RPFBS24	WS9B183018R	\$571
RPFA183618R	18x36x18 Radius Corners	RPFBS24	WS9B183618R	\$582
RPFA184818R	18x48x18 Radius Corners	RPFBS24	WS9B184818R	\$626
RPFA186018R	18x60x18 Radius Corners	RPFBS60	WS9B186018R	\$699
RPFA187218R	18x72x18 Radius Corners	RPFBS60	WS9B187218R	\$720
RPFA188418R	18x84x18 Radius Corners	RPFBS84	WS9B188418R	\$1,088
RPFA189618R	18x96x18 Radius Corners	RPFBS84	WS9B189618R	\$1,110



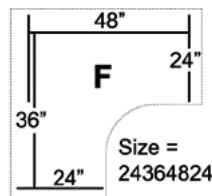
Floating Base with Type 9B 1-1/8" Rectangle Radius Corners Worksurface 24"				
RPFA242424R	24x24x24 Radius Corners	RPFBS24	WS9B242424R	\$583
RPFA243024R	24x30x24 Radius Corners	RPFBS24	WS9B243024R	\$611
RPFA243624R	24x36x24 Radius Corners	RPFBS24	WS9B243624R	\$625
RPFA244824R	24x48x24 Radius Corners	RPFBS24	WS9B244824R	\$681
RPFA246024R	24x60x24 Radius Corners	RPFBS60	WS9B246024R	\$771
RPFA247224R	24x72x24 Radius Corners	RPFBS60	WS9B247224R	\$799
RPFA248424R	24x84x24 Radius Corners	RPFBS84	WS9B248424R	\$1,218
RPFA249624R	24x96x24 Radius Corners	RPFBS84	WS9B249624R	\$1,242



Floating Base with Type 9B 1-1/8" Rectangle Radius Corners Worksurface 24"				
RPFA303030R	30x30x30 Radius Corners	RPFBS24	WS9B303030R	\$630
RPFA303630R	30x36x30 Radius Corners	RPFBS24	WS9B303630R	\$642
RPFA304830R	30x48x30 Radius Corners	RPFBS24	WS9B304830R	\$701
RPFA306030R	30x60x30 Radius Corners	RPFBS60	WS9B306030R	\$800
RPFA307230R	30x72x30 Radius Corners	RPFBS60	WS9B307230R	\$823
RPFA308430R	30x84x30 Radius Corners	RPFBS84	WS9B308430R	\$1,264
RPFA309630R	30x96x30 Radius Corners	RPFBS84	WS9B309630R	\$1,288



Size = 243624



Size = 24364824

R-Style™ Finish Options



Note: When ordering R-Style™, please add finish to end of model number.

Workstation with: Silver Base and Cherry Top
Example: RCBAAS243624SCH

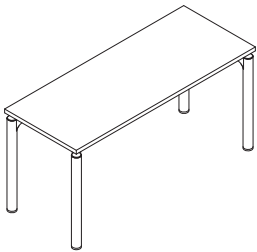
See finishes page for additional laminate surface colors with a 2-4 week lead time.

Post Leg Tables

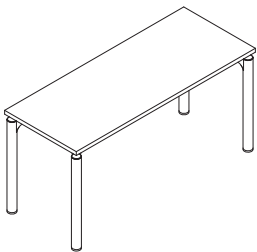
- 29" standard height
- Available with 18", 24", or 30" deep worksurfaces
- Adjustable glides (5/8" of adjustment)
- Optional modesty panel available
- Black or silver base
- Wire management opening diameter is 1.25" (32 mm)
- Worksurface: ten standard thermally-fused options, high-pressure laminate and custom colors available (see *Finishes page*)

Model #	Description	List Price
Base Only		
RPPBS24	18"-30"D x 24"-48"W R-Style Post 4-Leg Base	\$227
RPPBS60	18"-30"D x 60"-72"W R-Style Post 4-Leg Base with u-channel	\$233
RPPBS84	18"-30"D x 84"-96"W R-Style Post 6-Leg Base (2 center support legs)	\$404

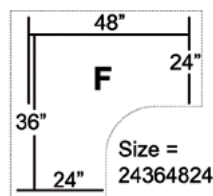
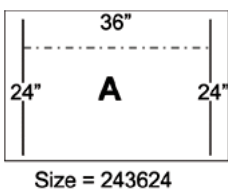
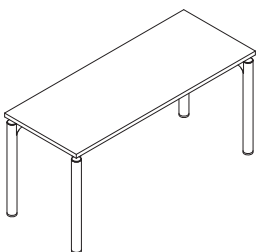
Assembly #	Description	Base #	Worksurface #	List Price
Post Leg Base with Type 9B 1-1/8" Rectangle Worksurface 18"				
RPPA182418	18x24x18	RPPBS24	WS9B182418	\$328
RPPA183018	18x30x18	RPPBS24	WS9B183018	\$349
RPPA183618	18x36x18	RPPBS24	WS9B183618	\$357
RPPA184818	18x48x18	RPPBS24	WS9B184818	\$394
RPPA186018	18x60x18	RPPBS60	WS9B186018	\$461
RPPA187218	18x72x18	RPPBS60	WS9B187218	\$476
RPPA188418	18x84x18	RPPBS84	WS9B188418	\$802
RPPA189618	18x96x18	RPPBS84	WS9B189618	\$817



Assembly #	Description	Base #	Worksurface #	List Price
Post Leg Base with Type 9B 1-1/8" Rectangle Worksurface 24"				
RPPA242424	24x24x24	RPPBS24	WS9B242424	\$361
RPPA243024	24x30x24	RPPBS24	WS9B243024	\$386
RPPA243624	24x36x24	RPPBS24	WS9B243624	\$397
RPPA244824	24x48x24	RPPBS24	WS9B244824	\$446
RPPA246024	24x60x24	RPPBS60	WS9B246024	\$529
RPPA247224	24x72x24	RPPBS60	WS9B247224	\$551
RPPA248424	24x84x24	RPPBS84	WS9B248424	\$929
RPPA249624	24x96x24	RPPBS84	WS9B249624	\$945



Assembly #	Description	Base #	Worksurface #	List Price
Post Leg Base with Type 9B 1-1/8" Rectangle Worksurface 30"				
RPPA303030	30x30x30	RPPBS24	WS9B303030	\$402
RPPA303630	30x36x30	RPPBS24	WS9B303630	\$410
RPPA304830	30x48x30	RPPBS24	WS9B304830	\$462
RPPA306030	30x60x30	RPPBS60	WS9B306030	\$555
RPPA307230	30x72x30	RPPBS60	WS9B307230	\$572
RPPA308430	30x84x30	RPPBS84	WS9B308430	\$970
RPPA309630	30x96x30	RPPBS84	WS9B309630	\$988



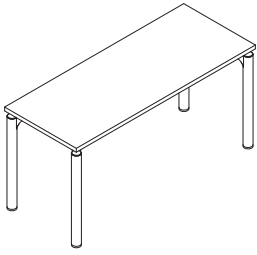
R-Style™ Finish Options

Note: When ordering R-Style™, please add finish to end of model number.

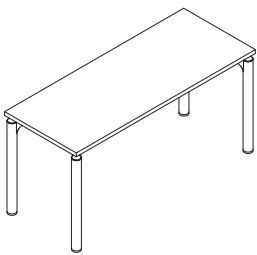
Workstation with:
Silver Base and Cherry Top
Example: RCBAAS243624SCH

See finishes page for additional laminate surface colors with a 2-4 week lead time.

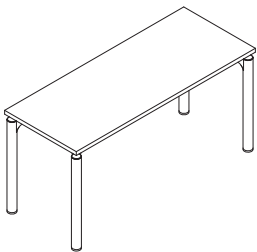
Post Leg Tables



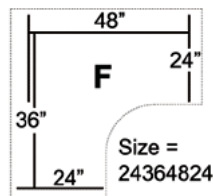
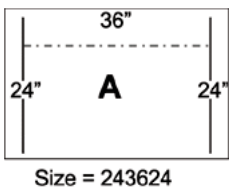
Assembly #	Description	Base #	Worksurface #	List Price
Post Leg Base with Type 9B 1-1/8" Rectangle Radius Corners Worksurface 18"				
RPPA182418R	18x24x18 Radius Corners	RPPBS24	WS9B182418R	\$352
RPPA183018R	18x30x18 Radius Corners	RPPBS24	WS9B183018R	\$376
RPPA183618R	18x36x18 Radius Corners	RPPBS24	WS9B183618R	\$387
RPPA184818R	18x48x18 Radius Corners	RPPBS24	WS9B184818R	\$431
RPPA186018R	18x60x18 Radius Corners	RPPBS60	WS9B186018R	\$505
RPPA187218R	18x72x18 Radius Corners	RPPBS60	WS9B187218R	\$526
RPPA188418R	18x84x18 Radius Corners	RPPBS84	WS9B188418R	\$859
RPPA189618R	18x96x18 Radius Corners	RPPBS84	WS9B189618R	\$881



Post Leg Base with Type 9B 1-1/8" Rectangle Radius Corners Worksurface 24"				
RPPA242424R	24x24x24 Radius Corners	RPPBS24	WS9B242424R	\$388
RPPA243024R	24x30x24 Radius Corners	RPPBS24	WS9B243024R	\$416
RPPA243624R	24x36x24 Radius Corners	RPPBS24	WS9B243624R	\$430
RPPA244824R	24x48x24 Radius Corners	RPPBS24	WS9B244824R	\$486
RPPA246024R	24x60x24 Radius Corners	RPPBS60	WS9B246024R	\$577
RPPA247224R	24x72x24 Radius Corners	RPPBS60	WS9B247224R	\$605
RPPA248424R	24x84x24 Radius Corners	RPPBS84	WS9B248424R	\$989
RPPA249624R	24x96x24 Radius Corners	RPPBS84	WS9B249624R	\$1,013



Post Leg Base with Type 9B 1-1/8" Rectangle Radius Corners Worksurface 30"				
RPPA303030R	30x30x30 Radius Corners	RPPBS24	WS9B303030R	\$435
RPPA303630R	30x36x30 Radius Corners	RPPBS24	WS9B303630R	\$447
RPPA304830R	30x48x30 Radius Corners	RPPBS24	WS9B304830R	\$506
RPPA306030R	30x60x30 Radius Corners	RPPBS60	WS9B306030R	\$606
RPPA307230R	30x72x30 Radius Corners	RPPBS60	WS9B307230R	\$629
RPPA308430R	30x84x30 Radius Corners	RPPBS84	WS9B308430R	\$1,035
RPPA309630R	30x96x30 Radius Corners	RPPBS84	WS9B309630R	\$1,059



R-Style™ Finish Options

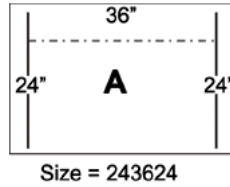
Note: When ordering R-Style™, please add finish to end of model number.

Workstation with:
Silver Base and Cherry Top
Example: RCBAAS243624SCH

See finishes page for additional laminate surface colors with a 2-4 week lead time.

T-Series T-Base Training Tables

- 29" Standard Height
- Custom sizes available
- 24" or 30" D Standard Worksurface
- Adjustable glides (5/8" of adjustment)
- Wire management available
- Caster available
- Optional modesty panels
- Base Color: Black or Silver
- Worksurface: 10 standard thermally-fused options, high-pressure laminate and custom colors available (see *Finishes page*)



R-Style™ Finish Options

Black Base
Cherry Top (BCH)

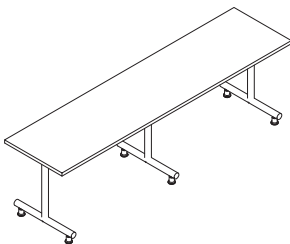
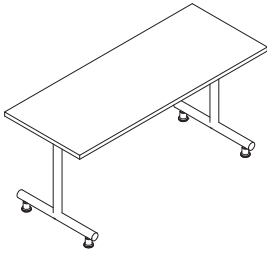
Silver Base
Hardrock Maple Top (SHM)

Note: When ordering R-Style™, please add finish to end of model number.

Workstation with: Silver Base and Cherry Top
Example: RCBAAS243624SCH

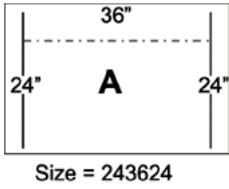
See finishes page for additional laminate surface colors with a 2-4 week lead time.

Model #	Description	List Price
Base Only for 24" and 30" Deep Worksurfaces		
RPTBS242424	24"-30D x 24"-48"W R-Style T-Base Base	\$284
RPTBS246024	24"-30D x 60"-72"W R-Style T-Base Base	\$307
RPTBS248424	24"-30D x 84"-96"W R-Style T-Base Base	\$425



Assembly #	Description	Base #	Worksurface #	List Price
T-Base with Type 9B 1-1/8" Rectangle Worksurface 24"				
RPTA242424	24x24x24	RPTBS242424	WS9B242424	\$418
RPTA243024	24x30x24	RPTBS242424	WS9B243024	\$443
RPTA243624	24x36x24	RPTBS242424	WS9B243624	\$454
RPTA244824	24x48x24	RPTBS242424	WS9B244824	\$503
RPTA246024	24x60x24	RPTBS246024	WS9B246024	\$603
RPTA247224	24x72x24	RPTBS246024	WS9B247224	\$625
RPTA248424	24x84x24	RPTBS248424	WS9B248424	\$950
RPTA249624	24x96x24	RPTBS248424	WS9B249624	\$966
T-Base with Type 9B 1-1/8" Rectangle Worksurface 30"				
RPTA303030	30x30x30	RPTBS242424	WS9B303030	\$459
RPTA303630	30x36x30	RPTBS242424	WS9B303630	\$467
RPTA304830	30x48x30	RPTBS242424	WS9B304830	\$519
RPTA306030	30x60x30	RPTBS246024	WS9B306030	\$629
RPTA307230	30x72x30	RPTBS246024	WS9B307230	\$646
RPTA308430	30x84x30	RPTBS248424	WS9B308430	\$991
RPTA309630	30x96x30	RPTBS248424	WS9B309630	\$1,009
T-Base with Type 9B 1-1/8" Rectangle Worksurface Radius Corners 24"				
RPTA242424R	24x24x24 Radius Corners	RPTBS242424	WS9B242424R	\$445
RPTA243024R	24x30x24 Radius Corners	RPTBS242424	WS9B243024R	\$473
RPTA243624R	24x36x24 Radius Corners	RPTBS242424	WS9B243624R	\$487
RPTA244824R	24x48x24 Radius Corners	RPTBS242424	WS9B244824R	\$543
RPTA246024R	24x60x24 Radius Corners	RPTBS246024	WS9B246024R	\$651
RPTA247224R	24x72x24 Radius Corners	RPTBS246024	WS9B247224R	\$679
RPTA248424R	24x84x24 Radius Corners	RPTBS248424	WS9B248424R	\$1,010
RPTA249624R	24x96x24 Radius Corners	RPTBS248424	WS9B249624R	\$1,034
T-Base with Type 9B 1-1/8" Rectangle Worksurface Radius Corners 30"				
RPTA303030R	30x30x30 Radius Corners	RPTBS242424	WS9B303030R	\$492
RPTA303630R	30x36x30 Radius Corners	RPTBS242424	WS9B303630R	\$504
RPTA304830R	30x48x30 Radius Corners	RPTBS242424	WS9B304830R	\$563
RPTA306030R	30x60x30 Radius Corners	RPTBS246024	WS9B306030R	\$680
RPTA307230R	30x72x30 Radius Corners	RPTBS246024	WS9B307230R	\$703
RPTA308430R	30x84x30 Radius Corners	RPTBS248424	WS9B308430R	\$1,056
RPTA309630R	30x96x30 Radius Corners	RPTBS248424	WS9B309630R	\$1,080

Worksurface ONLY - Floating, Post Leg and T-Series



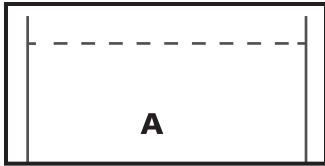
R-Style™ Finish Options

Note: When ordering R-Style™, please add finish to end of model number.

Workstation with: Silver Base and Cherry Top
Example: RCBAAS243624SCH

See finishes page for additional laminate surface colors with a 2-4 week lead time.

Black Base Cherry Top (BCH) Silver Base Hardrock Maple Top (SHM)



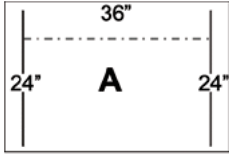
Model #	Description	List Price
18" Rectangle Worksurface Only for Floating, Post Leg		
WS9B182418	Worksurface Type 9B 1-1/8" Rectangle 18x24x18 TFM	\$101
WS9B183018	Worksurface Type 9B 1-1/8" Rectangle 18x30x18 TFM	\$122
WS9B183618	Worksurface Type 9B 1-1/8" Rectangle 18x36x18 TFM	\$130
WS9B184818	Worksurface Type 9B 1-1/8" Rectangle 18x48x18 TFM	\$167
WS9B186018	Worksurface Type 9B 1-1/8" Rectangle 18x60x18 TFM	\$228
WS9B187218	Worksurface Type 9B 1-1/8" Rectangle 18x72x18 TFM	\$243
WS9B188418	Worksurface Type 9B 1-1/8" Rectangle 18x84x18 TFM	\$398
WS9B189618	Worksurface Type 9B 1-1/8" Rectangle 18x96x18 TFM	\$413

24" Rectangle Worksurface Only for Floating, Post Leg and T-Base		
WS9B242424	Worksurface Type 9B 1-1/8" Rectangle 24x24x24 TFM	\$134
WS9B243024	Worksurface Type 9B 1-1/8" Rectangle 24x30x24 TFM	\$159
WS9B243624	Worksurface Type 9B 1-1/8" Rectangle 24x36x24 TFM	\$170
WS9B244824	Worksurface Type 9B 1-1/8" Rectangle 24x48x24 TFM	\$219
WS9B246024	Worksurface Type 9B 1-1/8" Rectangle 24x60x24 TFM	\$296
WS9B247224	Worksurface Type 9B 1-1/8" Rectangle 24x72x24 TFM	\$318
WS9B248424	Worksurface Type 9B 1-1/8" Rectangle 24x84x24 TFM	\$525
WS9B249624	Worksurface Type 9B 1-1/8" Rectangle 24x96x24 TFM	\$541

30" Rectangle Worksurface Only for Floating, Post Leg and T-Base		
WS9B303030	Worksurface Type 9B 1-1/8" Rectangle 30x30x30 TFM	\$175
WS9B303630	Worksurface Type 9B 1-1/8" Rectangle 30x36x30 TFM	\$183
WS9B304830	Worksurface Type 9B 1-1/8" Rectangle 30x48x30 TFM	\$235
WS9B306030	Worksurface Type 9B 1-1/8" Rectangle 30x60x30 TFM	\$322
WS9B307230	Worksurface Type 9B 1-1/8" Rectangle 30x72x30 TFM	\$339
WS9B308430	Worksurface Type 9B 1-1/8" Rectangle 30x84x30 TFM	\$566
WS9B309630	Worksurface Type 9B 1-1/8" Rectangle 30x96x30 TFM	\$584

18" Rectangle Worksurface Only for Floating, Post Leg Leg Radius Corners		
WS9B182418R	Worksurface Type 9B 1-1/8" Rectangle 18x24x18 TFM Radius Corners	\$125
WS9B183018R	Worksurface Type 9B 1-1/8" Rectangle 18x30x18 TFM Radius Corners	\$149
WS9B183618R	Worksurface Type 9B 1-1/8" Rectangle 18x36x18 TFM Radius Corners	\$160
WS9B184818R	Worksurface Type 9B 1-1/8" Rectangle 18x48x18 TFM Radius Corners	\$204
WS9B186018R	Worksurface Type 9B 1-1/8" Rectangle 18x60x18 TFM Radius Corners	\$272
WS9B187218R	Worksurface Type 9B 1-1/8" Rectangle 18x72x18 TFM Radius Corners	\$293
WS9B188418R	Worksurface Type 9B 1-1/8" Rectangle 18x84x18 TFM Radius Corners	\$455
WS9B189618R	Worksurface Type 9B 1-1/8" Rectangle 18x96x18 TFM Radius Corners	\$477

Worksurface ONLY - Floating, Post Leg and T-Series



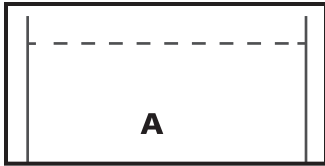
Size = 243624

R-Style™ Finish Options

Note: When ordering R-Style™, please add finish to end of model number.

Workstation with: Silver Base and Cherry Top
Example: RCBAAS243624SCH

See finishes page for additional laminate surface colors with a 2-4 week lead time.



Model #	Description	List Price
24" Rectangle Worksurface Only for Floating, Post Leg and T-Base Radius Corners		
WS9B242424R	Worksurface Type 9B 1-1/8" Rectangle 24x24x24 TFM Radius Corners	\$161
WS9B243024R	Worksurface Type 9B 1-1/8" Rectangle 24x30x24 TFM Radius Corners	\$189
WS9B243624R	Worksurface Type 9B 1-1/8" Rectangle 24x36x24 TFM Radius Corners	\$203
WS9B244824R	Worksurface Type 9B 1-1/8" Rectangle 24x48x24 TFM Radius Corners	\$259
WS9B246024R	Worksurface Type 9B 1-1/8" Rectangle 24x60x24 TFM Radius Corners	\$344
WS9B247224R	Worksurface Type 9B 1-1/8" Rectangle 24x72x24 TFM Radius Corners	\$372
WS9B248424R	Worksurface Type 9B 1-1/8" Rectangle 24x84x24 TFM Radius Corners	\$585
WS9B249624R	Worksurface Type 9B 1-1/8" Rectangle 24x96x24 TFM Radius Corners	\$609

30" Rectangle Worksurface Only for Floating, Post Leg and T-Base Radius Corners		
WS9B303030R	Worksurface Type 9B 1-1/8" Rectangle 30x30x30 TFM Radius Corners	\$208
WS9B303630R	Worksurface Type 9B 1-1/8" Rectangle 30x36x30 TFM Radius Corners	\$220
WS9B304830R	Worksurface Type 9B 1-1/8" Rectangle 30x48x30 TFM Radius Corners	\$279
WS9B306030R	Worksurface Type 9B 1-1/8" Rectangle 30x60x30 TFM Radius Corners	\$373
WS9B307230R	Worksurface Type 9B 1-1/8" Rectangle 30x72x30 TFM Radius Corners	\$396
WS9B308430R	Worksurface Type 9B 1-1/8" Rectangle 30x84x30 TFM Radius Corners	\$631
WS9B309630R	Worksurface Type 9B 1-1/8" Rectangle 30x96x30 TFM Radius Corners	\$655

Conference Tables Thermally Fused

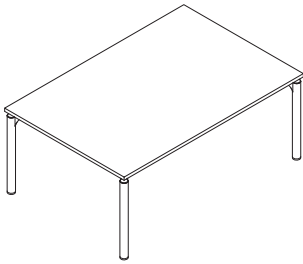
- The shapes of conference surfaces: Racetrack, Boat, and Rectangular
- Floating legs with adjustable glides (5/8" of adjustment)
- Thermally fused 1 1/8" tops
- Power and data are available
- Wire management grommets available
- Wide floating leg available
- Base Color: Black or Silver
- Worksurface: 10 standard thermally-fused options, high-pressure laminate and custom colors available (see *Finishes page*)

R-Style™ Finish Options

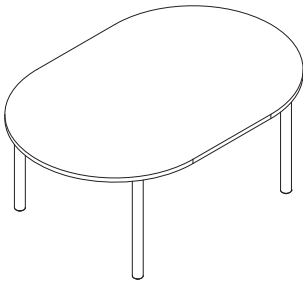
Note: When ordering R-Style™, please add finish to end of model number.

Workstation with: Silver Base and Cherry Top
Example: RCBAAS243624SCH

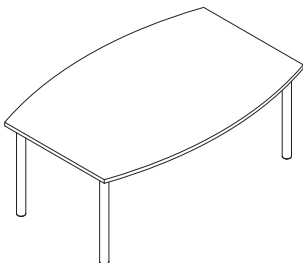
See finishes page for additional laminate surface colors with a 2-4 week lead time.



Assembly #	Description	Base #	Worksurface #	List Price
Conference Table Floating Leg Base Rectangle Shape				
RPFAA487248	Rectangle 48" x72" x48"	RPFB560	WS9B487248Z0182	\$1,295
RPFAA489648	Rectangle 48" x96" x48"	RPFB584	WS9B489648Z0182	\$2,026



Conference Table Floating Leg Base Oval Shape				
RPFAC487248	Oval 48" x72" x48"	RPFB560	WS9B487248Z0184	\$1,328
RPFAC489648	Oval 48" x96" x48"	RPFB584	WS9B489648Z0184	\$2,071

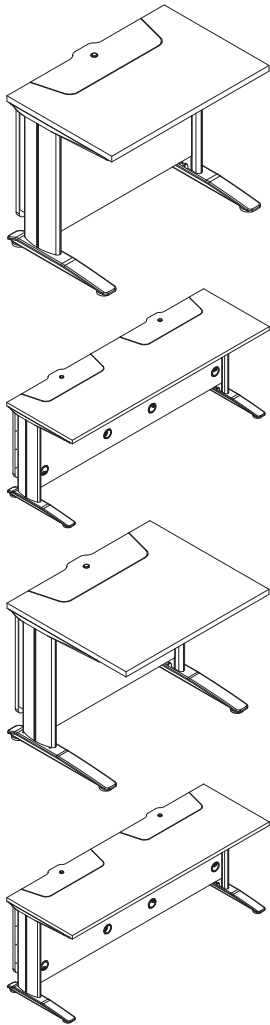


Conference Table Floating Leg Base Boat Shape				
RPFAB487248	Boat 48" x72" x48"	RPFB560	WS9B487248Z0183	\$1,330
RPFAB489648	Boat 48" x96" x48"	RPFB584	WS9B489648Z0183	\$2,074

HV-Series Hover™ Vertical Lift Workstations Thermally Fused

Go from a training room to a computer lab in seconds. Completely hides computer monitor within the worksurface to create a training room atmosphere. With a simple push and a light lift, the gas assisted monitor travels above the workstation.

- Monitor lifting capacity approximate 25 lbs.
- Integrated keyboard and mouse storage
- Available 24" and 30" D
- Standard 36" and 72" W; additional widths available
- Power/data and wire management available
- High pressure laminates and custom options available (extended lead time, call for availability)
- Laminate color options: Pearwood, Hardrock Maple, Cherry, Chocolate Flame, Black, Galaxy White (see *Finishes page*)
- House up to a 22" wide monitor
- Independently controlled pneumatic lifts
- 29" Standard Height
- Locking monitor option available (may be keyed alike)
- Base colors: Black or Silver
- Optional casters



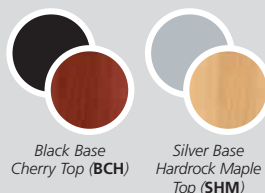
Model #	Description	List Price
Hover 24" One Monitor Lift		
RHVBS243624	24" x 36" Training Table w/C-Leg Base & (1) Vertical Monitor Lift	\$1,548
RHVBS244824	24" x 48" Training Table w/C-Leg Base & (1) Vertical Monitor Lift	\$1,628

Hover 24" Two Monitor Lifts		
RHVBS246024	24" x 60" Training Table w/C-Leg Base & (2) Vertical Monitor Lifts	\$2,806
RHVBS247224	24" x 72" Training Table w/C-Leg Base & (2) Vertical Monitor Lifts	\$2,887

Hover 30" One Monitor Lift		
RHVBS303630	30" x 36" Training Table w/C-Leg Base & (1) Vertical Monitor Lift	\$1,595
RHVBS304830	30" x 48" Training Table w/C-Leg Base & (1) Vertical Monitor Lift	\$1,673

Hover 30" Two Monitor Lifts		
RHVBS306030	30" x 60" Training Table w/C-Leg Base & (2) Vertical Monitor Lifts	\$2,897
RHVBS307230	30" x 72" Training Table w/C-Leg Base & (2) Vertical Monitor Lifts	\$2,977

R-Style™ Finish Options



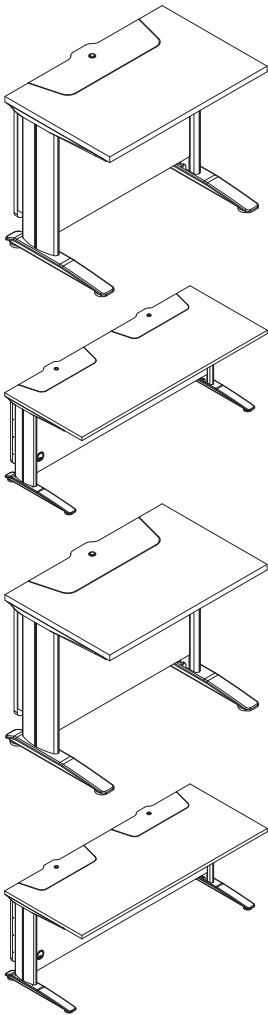
Note: When ordering R-Style™, please add finish to end of model number.

Workstation with:
Silver Base and Cherry Top
Example: RCBAAS243624SCH

See finishes page for additional laminate surface colors with a 2-4 week lead time.

- The moving panel in a HV extends 17.25" out of the worksurface.
- The monitor is adjustable up or down by around 1/2".
- The center of the monitor would be approximately 10" from the main non-moving worksurface.

HV-Series Hover™ Vertical Lift Workstations Thermally Fused



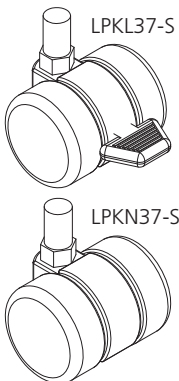
Model #	Description	List Price
Hover 24" One Monitor Lift - Locking		
RHVBS243624	24" x 36" Training Table w/C-Leg Base & (1) Vertical Monitor Lift, Locking Keyed Alike	\$1,603
RHVBS244824	24" x 48" Training Table w/C-Leg Base & (1) Vertical Monitor Lift, Locking Keyed Alike	\$1,683

Hover 24" Two Monitor Lifts - Locking		
RHVBS246024	24" x 60" Training Table w/C-Leg Base & (2) Vertical Monitor Lifts, Locking Keyed Alike	\$2,916
RHVBS247224	24" x 72" Training Table w/C-Leg Base & (2) Vertical Monitor Lifts, Locking Keyed Alike	\$2,996

Hover 30" One Monitor Lift - Locking		
RHVBS303630	30" x 36" Training Table w/C-Leg Base & (1) Vertical Monitor Lift, Locking Keyed Alike	\$1,650
RHVBS304830	30" x 48" Training Table w/C-Leg Base & (1) Vertical Monitor Lift, Locking Keyed Alike	\$1,728

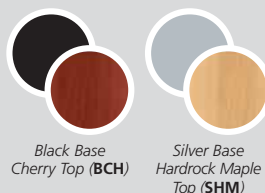
Hover 30" Two Monitor Lift - Locking		
RHVBS306030	30" x 60" Training Table w/C-Leg Base & (2) Vertical Monitor Lifts, Locking Keyed Alike	\$3,007
RHVBS307230	30" x 72" Training Table w/C-Leg Base & (2) Vertical Monitor Lifts, Locking Keyed Alike	\$3,087

If ordering locking keyed differently monitor lift, add #52428 to locking part number and subtract \$8 per monitor lift.



Tumbler Cam Locks		
52428	Tumbler Cam Lock - Bright Nickel, Keyed Differently (add #52428 to locking part number and subtract \$8 per monitor lift)	\$47
52514	Tumbler Cam Lock - Bright Nickel, Keyed Alike - included in models RHVBS above	\$55
Casters		
LPKL37-S	Add On Locking Caster-Low Profile (soft surface) raises approx. 1.875" (\$/ea)	\$21
LPKN37-S	Add On Non-Locking Caster-Low Profile (soft surface) raises approx. 1.875" (\$/ea)	\$21

R-Style™ Finish Options



Note: When ordering R-Style™, please add finish to end of model number.

Workstation with: Silver Base and Cherry Top
Example: RCBAAS243624SCH

See finishes page for additional laminate surface colors with a 2-4 week lead time.

- The moving panel in a HV extends 17.25" out of the worksurface.
- The monitor is adjustable up or down by around 1/2".
- The center of the monitor would be approximately 10" from the main non-moving worksurface.

Flip Workstations

Ideal for multi-use rooms that require a variety of furniture configurations.

- Nested tables require minimal storage footprint
- Built-in safety latch, to prevent tipping
- Custom sizes available
- Durable 3 mm edge banding standard
- Standard rubber bumpers cushion nested tables
- Flip table with easy to operate pull bar, runs the length of table
- Optional modesty panels and swing wire management available
- Worksurface available 24" & 30" depth; 48", 60" & 72" width
- Worksurface: 10 standard thermally-fused options, high-pressure laminate and custom colors available
- Available with grommets
- May purchase base only
- Base Color: Black or Silver
- Weight Capacity: 200 pounds
- Locking casters
- Height 29"

FLIP BASES ONLY:

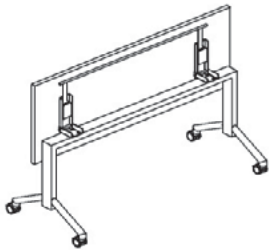
18"– 30" Deep Maximum Weight – 200 pounds, including worksurface

24"– 30" Deep Maximum Size Worksurface – 30" x 72"

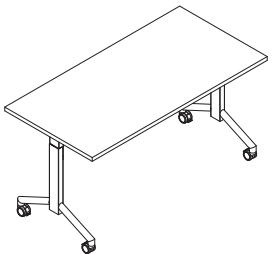
Model #	Description	List Price
BASE ONLY with casters		
RFLBC183018	Flip Base with Caster 18x30x18	\$632
RFLBC184818	Flip Base with Caster 18x48x18	\$632
RFLBC186018	Flip Base with Caster 18x60x18	\$632
RFLBC187218	Flip Base with Caster 18x72x18	\$665
RFLBC243024	Flip Base with Caster 24x30x24	\$632
RFLBC243624	Flip Base with Caster 24x36x24	\$632
RFLBC244824	Flip Base with Caster 24x48x24	\$632
RFLBC246024	Flip Base with Caster 24x60x24	\$632
RFLBC247224	Flip Base with Caster 24x72x24	\$665



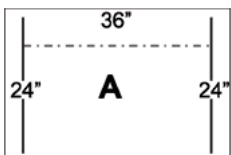
FLIP Table Base with casters and Thermally Fused Rectangle Worksurface - 18"				
RFLA183018	18x30x18	RFLBC183018	WS9A183018	\$754
RFLA183618	18x36x18	RFLBC183018	WS9A183618	\$762
RFLA184818	18x48x18	RFLBC184818	WS9A184818	\$799
RFLA186018	18x60x18	RFLBC186018	WS9A186018	\$860
RFLA187218	18x72x18	RFLBC187218	WS9A187218	\$908



FLIP Table Base with casters and Thermally Fused Rectangle Worksurface - 24"				
RFLA243024	24x30x24	RFLBC243024	WS9A243024	\$791
RFLA243624	24x36x24	RFLBC243024	WS9A243624	\$802
RFLA244824	24x48x24	RFLBC244824	WS9A244824	\$851
RFLA246024	24x60x24	RFLBC246024	WS9A246024	\$928
RFLA247224	24x72x24	RFLBC247224	WS9A247224	\$983

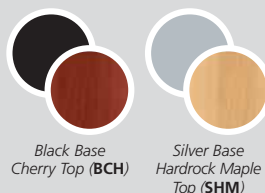


FLIP Table Base with casters and Thermally Fused Rectangle Worksurface - 30"				
RFLA303030	30x30x30	RFLBC243024	WS9A303030	\$807
RFLA303630	30x36x30	RFLBC243024	WS9A303630	\$815
RFLA304830	30x48x30	RFLBC244824	WS9A304830	\$867
RFLA306030	30x60x30	RFLBC246024	WS9A306030	\$954
RFLA307230	30x72x30	RFLBC247224	WS9A307230	\$1,004



Size = 243624

R-Style™ Finish Options



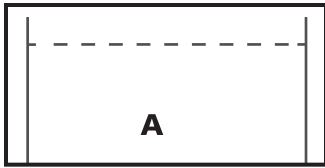
Note: When ordering R-Style™, please add finish to end of model number.

Workstation with: Silver Base and Cherry Top
Example: RCBAAS243624SCH

See finishes page for additional laminate surface colors with a 2-4 week lead time.



Worksurface ONLY - Flip Worksurface



QuickShip
in Cherry (CH) or
Hardrock Maple (HM)

Model #	Description	List Price
WS9A183018	Worksurface Type 9 1-1/8" Rectangle 18x30x18 TFM	\$122
WS9A183618	Worksurface Type 9 1-1/8" Rectangle 18x36x18 TFM	\$130
WS9A184818	Worksurface Type 9 1-1/8" Rectangle 18x48x18 TFM	\$167
WS9A186018	Worksurface Type 9 1-1/8" Rectangle 18x60x18 TFM	\$228
WS9A187218	Worksurface Type 9 1-1/8" Rectangle 18x72x18 TFM	\$243
WS9A243024	Worksurface Type 9 1-1/8" Rectangle 24x30x24 TFM	\$159
WS9A243624	Worksurface Type 9 1-1/8" Rectangle 24x36x24 TFM	\$170
WS9A244824	Worksurface Type 9 1-1/8" Rectangle 24x48x24 TFM	\$219
WS9A246024	Worksurface Type 9 1-1/8" Rectangle 24x60x24 TFM	\$296
WS9A247224	Worksurface Type 9 1-1/8" Rectangle 24x72x24 TFM	\$318
WS9A303030	Worksurface Type 9 1-1/8" Rectangle 30x30x30 TFM	\$175
WS9A303630	Worksurface Type 9 1-1/8" Rectangle 30x36x30 TFM	\$183
WS9A304830	Worksurface Type 9 1-1/8" Rectangle 30x48x30 TFM	\$235
WS9A306030	Worksurface Type 9 1-1/8" Rectangle 30x60x30 TFM	\$322
WS9A307230	Worksurface Type 9 1-1/8" Rectangle 30x72x30 TFM	\$339

FLIP Worksurface Only Radius Corners

WS9A183018R	Worksurface Type 9 1-1/8" Rectangle 18x30x18 TFM Radius Corners	\$149
WS9A183618R	Worksurface Type 9 1-1/8" Rectangle 18x36x18 TFM Radius Corners	\$160
WS9A184818R	Worksurface Type 9 1-1/8" Rectangle 18x48x18 TFM Radius Corners	\$204
WS9A186018R	Worksurface Type 9 1-1/8" Rectangle 18x60x18 TFM Radius Corners	\$272
WS9A187218R	Worksurface Type 9 1-1/8" Rectangle 18x72x18 TFM Radius Corners	\$293
WS9A243024R	Worksurface Type 9 1-1/8" Rectangle 24x30x24 TFM Radius Corners	\$189
WS9A243624R	Worksurface Type 9 1-1/8" Rectangle 24x36x24 TFM Radius Corners	\$203
WS9A244824R	Worksurface Type 9 1-1/8" Rectangle 24x48x24 TFM Radius Corners	\$259
WS9A246024R	Worksurface Type 9 1-1/8" Rectangle 24x60x24 TFM Radius Corners	\$344
WS9A247224R	Worksurface Type 9 1-1/8" Rectangle 24x72x24 TFM Radius Corners	\$372
WS9A303030R	Worksurface Type 9 1-1/8" Rectangle 30x30x30 TFM Radius Corners	\$208
WS9A303630R	Worksurface Type 9 1-1/8" Rectangle 30x36x30 TFM Radius Corners	\$220
WS9A304830R	Worksurface Type 9 1-1/8" Rectangle 30x48x30 TFM Radius Corners	\$279
WS9A306030R	Worksurface Type 9 1-1/8" Rectangle 30x60x30 TFM Radius Corners	\$373
WS9A307230R	Worksurface Type 9 1-1/8" Rectangle 30x72x30 TFM Radius Corners	\$396

FLIP Table Swing Wire Management for use with 24" and 36" deep tables

26SWM	26" Swing Wire Management (Horizontal) for 36" Table	\$60
38SWM	38" Swing Wire Management (Horizontal) for 48" Table	\$88
50SWM	50" Swing Wire Management (Horizontal) for 60" Table	\$115
62SWM	62" Swing Wire Management (Horizontal) for 72" Table	\$143

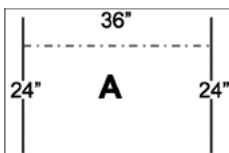
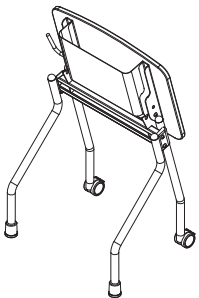
FLIP Table Modesty Panel

F48MP	Flip Table Modesty Panel with 2 Mounting Brackets	\$152
F60MP	Flip Table Modesty Panel with 2 Mounting Brackets	\$159
F72MP	Flip Table Modesty Panel with 3 Mounting Brackets	\$171

Student FLIP Desk

FS2430HBP	18" x 26" Student Flip Desk with 2 casters Black/Pearwood (High Pressure)	\$375
-----------	---	-------

- 3/4" Pearwood top
- Powder coated black steel bin and base.
- Storage bin measures: 10"W x 15 1/2"D x 4"H.



Size = 243624

R-Style™ Finish Options

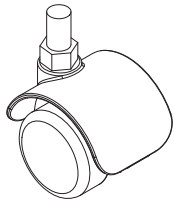


Note: When ordering R-Style™, please add finish to end of model number.

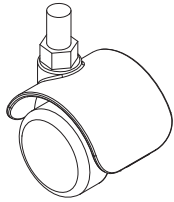
Workstation with:
Silver Base and Cherry Top
Example: RCBAAS243624SCH

See finishes page for additional laminate surface colors with a 2-4 week lead time.

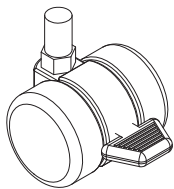
Options and Accessories



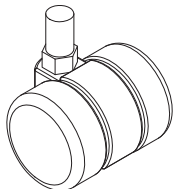
Model #	Description	List Price
Non-locking Caster	Caster-Standard (soft surface) Non-locking - for T-Base only (raises approximately 2")(\$/ea)	\$13
Locking Caster	Caster-Standard (soft surface) Locking - for T-Base only (raises approximately 2")(\$/ea)	\$13



Non-locking Caster-S	Caster-Soft (hard surface) Non-locking - for T-Base only (raises approximately 2")(\$/ea)	\$21
Locking Caster-S	Caster-Soft (hard surface) Locking - for T-Base only (raises approximately 2")(\$/ea)	\$21



LPKL37-S	Caster-Locking Low Profile (soft surface) Locking-F, C-Series (raises F&C-Series approximately 1.875")(\$/ea)	\$21
----------	---	------

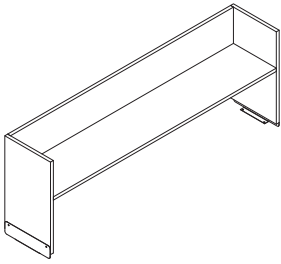


LPKN37-S	Caster-Non Locking Low Profile (soft surface) Non-Lock-F, C-Series (raise F&C-Series approximately 1.875")(\$/ea)	\$21
----------	---	------

RCPLS	Support Leg (price per leg)	\$58
RCPLW	Support Leg with Wire Management (price per leg)	\$74
29QL	29" Floating Table Leg (price per leg)	\$102
29QLW	29" Floating Table Leg with Wire Management (price per leg)	\$121
RSSB	Spanner Bracket (include screws)	\$15
RSGB	R-Style Ganging Bracket	\$21
Assembly-2	Table Assembly - Standard Shape	N/A
Assembly-3	Table Assembly - L-Shape	N/A
Grommet Hole	Grommet Hole Option (price per grommet hole)	\$16
Grommet Insert	Grommet Insert Option (price per grommet insert)	\$16

T-Base & Floating (F-Series) Leg Modesty Panels		
36MOD	3/4" Modesty Panel - 24" x 12" with 2 Mounting Brackets (Thermally fused available in select colors: PW, HM, CH, CF, BK, GW)	\$148
48MOD	3/4" Modesty Panel - 36" x 12" with 2 Mounting Brackets (Thermally fused available in select colors: PW, HM, CH, CF, BK, GW)	\$172
60MOD	3/4" Modesty Panel - 48" x 12" with 3 Mounting Brackets (Thermally fused available in select colors: PW, HM, CH, CF, BK, GW)	\$218
72MOD	3/4" Modesty Panel - 60" x 12" with 3 Mounting Brackets (Thermally fused available in select colors: PW, HM, CH, CF, BK, GW)	\$244

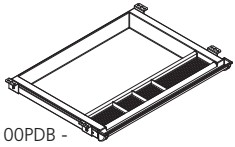
Options and Accessories



Model #	Description	List Price
Upper Shelves		
30FUSL	30" R-Style Flair Upper Shelf Thermally Fused Laminate	\$319
36USL	36" R-Style Upper Shelf Thermally Fused Laminate	\$351
48USL	48" R-Style Upper Shelf Thermally Fused Laminate	\$372
60USL	60" R-Style Upper Shelf Thermally Fused Laminate	\$398
30FUS	30" R-Style Flair Upper Shelf Metal with Thermally Fused Uprights (while supplies last)	\$319
60US	60" R-Style Upper Shelf Metal with Thermally Fused Uprights (while supplies last)	\$398
36USLH	36" R-Style Upper Shelf High Pressure Laminate	\$460
48USLH	48" R-Style Upper Shelf High Pressure Laminate	\$490
60USLH	60" R-Style Upper Shelf High Pressure Laminate	\$525
36USH	36" R-Style Upper Shelf Metal with High Pressure Uprights (while supplies last)	\$459
60USH	60" R-Style Upper Shelf Metal with High Pressure Uprights (while supplies last)	\$525

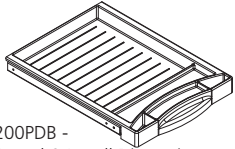
Wire Management		
36WM	36" Wire Management (Horizontal)	\$35
48WM	48" Wire Management (Horizontal)	\$41
60WM	60" Wire Management (Horizontal)	\$53
72WM	72" Wire Management (Horizontal)	\$65
50354MIS	J Cable Wire Management Channel (per Inch)	\$2
FCM490	Flex Cable Management (vertical) for height adjustable tables, has 22 links, 1250mm	\$72
26SWM	26" Horizontal Swing Wire Management for 36" Table (used with 24" and 36" deep tables)	\$60
38SWM	38" Horizontal Swing Wire Management for 48" Table (used with 24" and 36" deep tables)	\$88
50SWM	50" Horizontal Swing Wire Management for 60" Table (used with 24" and 36" deep tables)	\$115
62SWM	62" Horizontal Swing Wire Management for 72" Table (used with 24" and 36" deep tables)	\$143

Options and Accessories



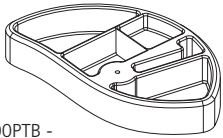
100PDB -
Install Dimensions:
22-1/2" W x 16-5/8" D x 1-3/4" H

Model #	Description	List Price
Pencil Drawers		
100PDB	Pencil Drawer - Full Size (21-1/4"w x 16-1/8"d x 1-3/4"h)	\$79



200PDB -
Actual & Install Dimensions:
13" W x 17-3/8" D x 1-3/4" H

Pencil Drawers		
200PDB	Pencil Drawer - Compact (13"w x 17-3/8"d x 1-3/4"h)	\$79



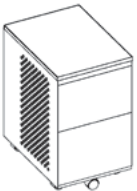
300PTB -
Actual & Install Dimensions:
8-1/2" W x 14" L x 1-1/4" H

Pencil Drawers		
300PTB	Swivel Pencil Drawer - Compact (8.5" w x 14" l x 1-1/4" h)	\$51

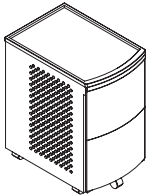
All pedestals lock



Mobile Pedestals - available in black or silver		
500MP	Mobile Pedestal Box/ Box/ File - Flat Front 15"W x 22"D x 25"H	\$581



Mobile Pedestals - available in black or silver		
502MP	Mobile Pedestal File/ File - Flat Front 15"W x 22"D x 25"H	\$613



Mobile Pedestals - available in black or silver		
302MP	Mobile Pedestal File/ File - Curved Front 15"W x 22"D x 25"H (limited supply)	\$395

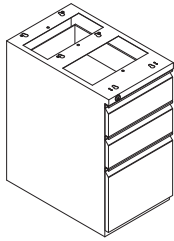


Mobile Pedestals - available in black or silver		
XPEM201BF	Mobile Box/File Pedestal, Flat Front, Reinforced Base - 15 1/2" W x 21 1/2" D x 18 3/4" H, maximum weight limit is 225 pounds	\$521
XPEMPB	Cushion for Mobile Ped Model XPEM201BF-Black	\$109

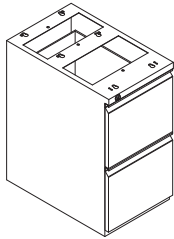


XPEM201BF with
XPEMPB Cushion

Options and Accessories



Model #	Description	List Price
Stationary Pedestals - available in black or silver		
320SP	Stationary Pedestal Box/ Box/ File - Flat Front 14 3/4"W x 23 1/4"D x 27 3/4" H	\$435



Stationary Pedestals - available in black or silver		
322SP	Stationary Pedestal File/ File - Flat Front 14 3/4"W x 23 1/4"D x 27 3/4" H	\$435

Mobile Tambour Cabinet - available in black or silver with left or right side pull		
510MP	Mobile Tambour Cabinet - with side pull left or right 35 1/2"W x 19 5/8"D x 25 1/2" H - box/box/file section 15 1/2", pull section 20"	\$987

510MP Specs:

Assembly Type: Fully Assembled
 Caster Quantity: Four (4)
 Caster, Glide or Foot: Caster
 Counterweight: None.
 Gross Weight: 92 lbs.
 Lock: Yes
 Overall Depth: 19 5/8"
 Overall Height: 25 1/2"
 Overall Width: 35 1/2"
 Box/box/file section 15 1/2", pull section 20"
 Units Per Package: 1

Drawers

Document Size Accommodation: Letter
 Drawer Configuration: Box/File/Pull Right or Left
 Drawer Depth - Box: 16-1/8"
 Drawer Depth - File: 15"
 Drawer Quantity Available: Three (3)
 Drawer Suspension - Box: Ball-Bearing
 Drawer Suspension - File: Ball-Bearing

 Type of welding: Spot Welding
 Gauge of steel: 20 Gauge
 Warranty: 5 Years

Options and Accessories



Power Receptacle
(Flush mount) PSRF



Power Receptacle
(Mini) PSRM



120" Power In-Feed
PSIF120



Power Receptacle
(Large) PSRL



Power Jumper



Splitter Block
PSSB



Pop up
Power Receptacle
PSRF-USB-2



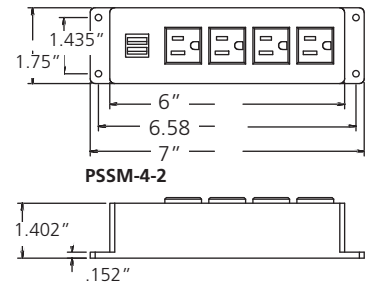
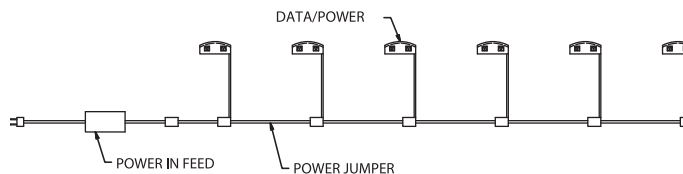
Power Receptacle-
Surface Mount
PSSM-4-2

Power and Data Solutions		
PSJ12	12" Power Jumper for use with Power In-Feed & Power Receptacle(s)	\$117
PSJ29	29" Power Jumper for use with Power In-Feed & Power Receptacle(s)	\$117
PSJ53	53" Power Jumper for use with Power In-Feed & Power Receptacle(s)	\$125
PSJ64	64" Power Jumper for use with Power In-Feed & Power Receptacle(s)	\$143
PSJ77	77" Power Jumper for use with Power In-Feed & Power Receptacle(s)	\$148
PSRM	Power Receptacle - Mini, for use with Power In-Feed & Power Jumper	\$158
PSRL	Power Receptacle - Large, for use with Power In-Feed & Power Jumper	\$169
PSRF	Power Receptacle - Flush mount, for use with Power In-Feed & Power Jumper	\$151
PSRF-2	Power Receptacle-Flush Mount-Direct Plug - Includes two (2) power outlets, two (2) data ports, and 108" cord with standard nema plug to plug directly into power source	\$161
PSSB	Splitter Block	\$31
PSIF120	120" Power In-Feed for use with Power Jumper & Power Receptacle(s)	\$357
PSRF-USB-2	Pop up Power Receptacle-Flush Mount-Direct Plug w/2 power outlets, two (2) USB chargers & 10 ft. cord	\$233
PSRF-USB	Pop up Power Receptacle-Flush Mount-Perimeter Plug w/2 power outlets, 2 USB chargers and 10 ft cord	\$262
PSSM-4-2	Power Receptacle-Surface Mount-Direct Plug includes 4 power outlets, 2 USB chargers and 10 ft. cord, 120V ~60HZ 12A	\$37

RStyle Power Management - Perimeter

- Perimeter is the electrical distribution system that can deliver a "plug and play" solution.
- Perimeter is the first UL 962 approved power system to offer true flexibility and simplicity in re-configuration for office and learning spaces.
- Smart Box Power Infeed (PSIF120) - a component that has a standard NEMA 5-15P 15 amp plug on one end of the cord and a Special Connector on the opposite end of the cord. This device powers the system.
- Just plug in the Smart Box into a standard wall outlet and then add up to eight Power Modules. To reconfigure, unplug the Smart Box, disconnect the Jumper Cables and move the furniture. Then reconnect the Jumper Cables and plug in the Power Box. It is that easy.

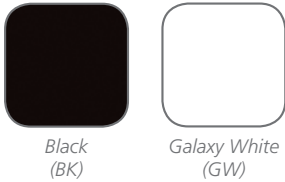
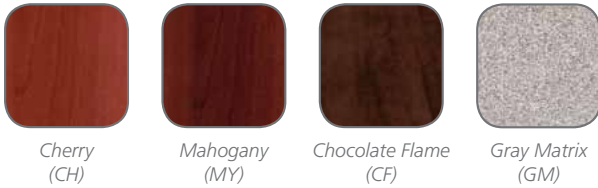
Daisy chain up to eight power/data modules per power feed.



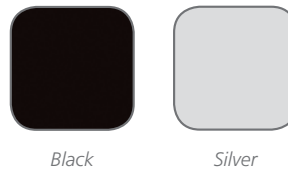
Finishes

Thermally Fused Laminate

Surface Colors (3mm edge banding)



Base Colors



Call customer service at 800.298.4351 for high pressure laminate worksurface specific pricing (may be subject to cancellation charge).

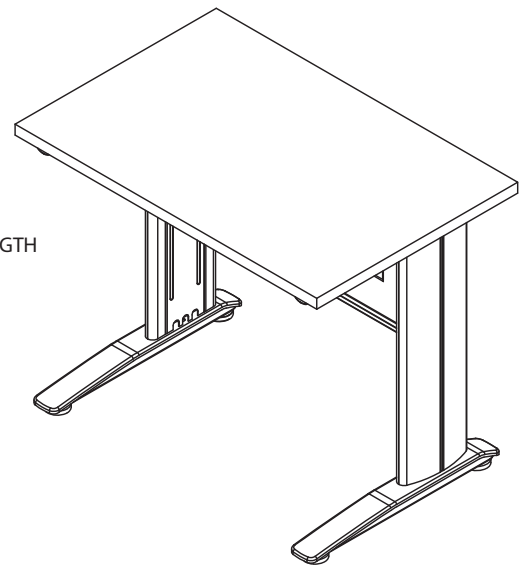
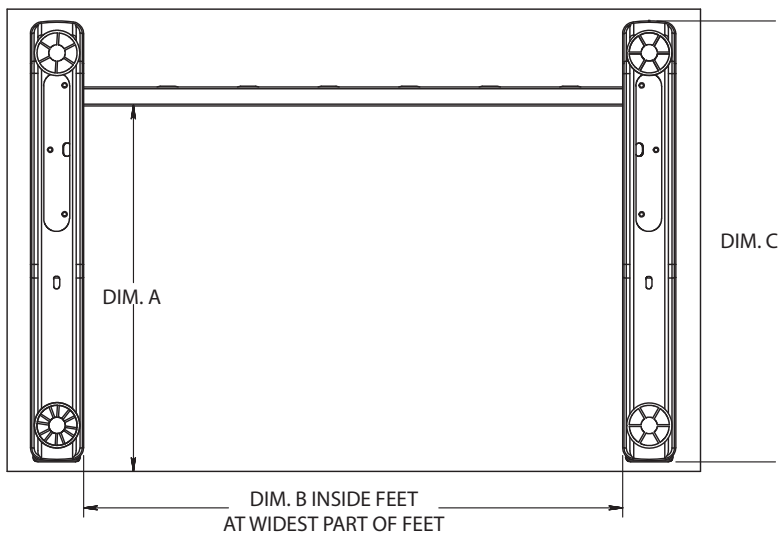


Finish Options

(Only Available on Standard 24" Configurations)



R-Style™ Workstation Dimensions



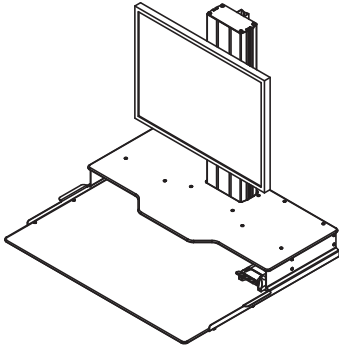
Workstation Size	DIM. A	DIM. B	DIM. C
18 x 36	13	29	17
18 x 48	13	41	17
18 x 60	13	53	17
18 x 72	13	65	17
24 x 36	19	29	23
24 x 48	19	41	23
24 x 60	19	53	23
24 x 72	19	65	23
30 x 36	25	29	26
30 x 48	25	41	26
30 x 60	25	53	26
30 x 72	25	65	26



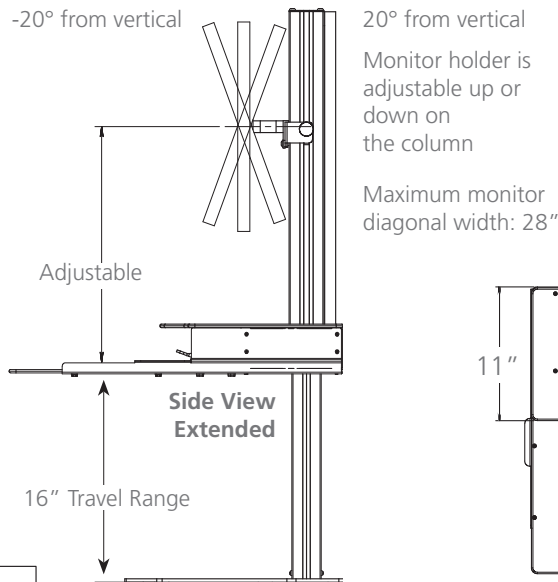
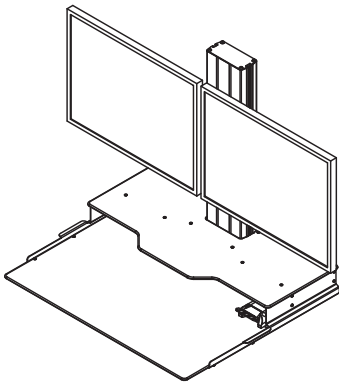
Hover™ Helium

- Effortless sit-to-stand functionality with clean design
- Innovative gas/counterbalance mechanism which locks into position for stability
- Quickly and easily adapts to changing height adjustable preferences
- Column wire management included
- Height adjustable monitor bracket includes VESA mounting plate
- No clamp or grommet needed
- Heavy steel base for stability

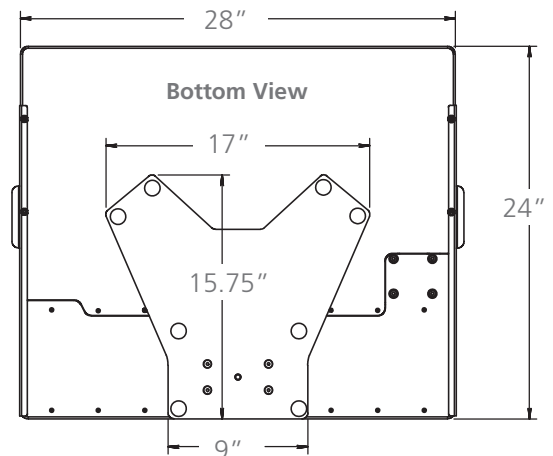
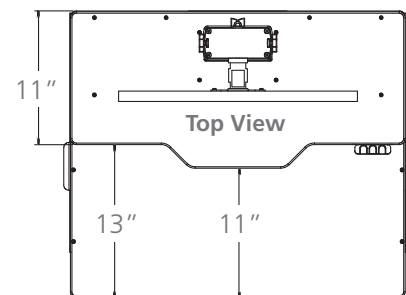
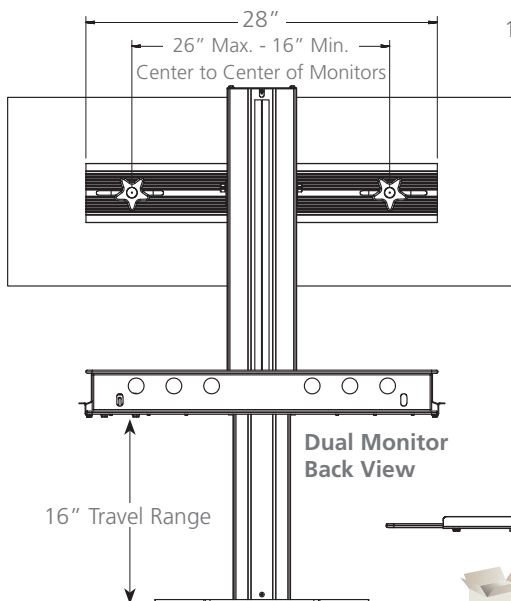
- Lifting capacity: single up to 12 pounds, dual maximum capacity 12-30 pounds
- Product weight: single 44 lbs., dual 47 lbs.
- Shipping weight: single 56 lbs., dual 61 lbs.
- Travel range: 16"
- Tilts/turns 90°
- Maximum monitor diagonal width: 28"
- 5 Year Warranty
- FREE Freight



Model #	Description	List Price
Hover Helium Base		
HHBS2428BB	Hover Helium Base Standard 24x28 Black Base - Black Phenolic (can only be used with HHMSB and HHMPSB)	\$1,045
HHBS2428SW	Hover Helium Base Standard 24x28 Silver Base - White Phenolic (can only be used with HHMSB and HHMPSW)	\$1,045
HHBH2428BB	Hover Helium Base Heavy Duty 24x28 Black Base - Black Phenolic (can be used with HHMSB, HHMDB, HHMPSB and HHMPDB)	\$1,085
HHBH2428SW	Hover Helium Base Heavy Duty 24x28 Silver Base - White Phenolic (can be used with HHMSB, HHMDB, HHMPSW and HHMPDW)	\$1,085
Hover Helium Monitor Solutions		
HHMSB	Hover Helium Bracket for Single Monitor, Black (for Black/Silver base)	\$50
HHMDB	Hover Helium Bracket for Dual Monitor, Black (for Black/Silver base)	\$150

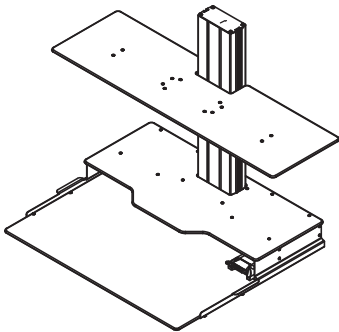
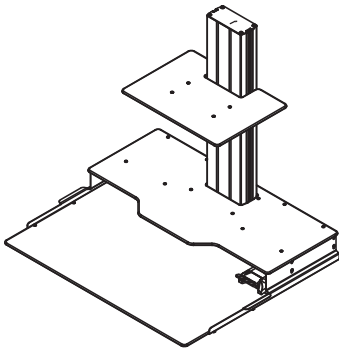


Dimensions are from main platform to the center line of the monitor holder. The monitor holder will tilt back 20 degrees from vertical in both directions within limits of your monitor's height. Large monitors may hit the column.



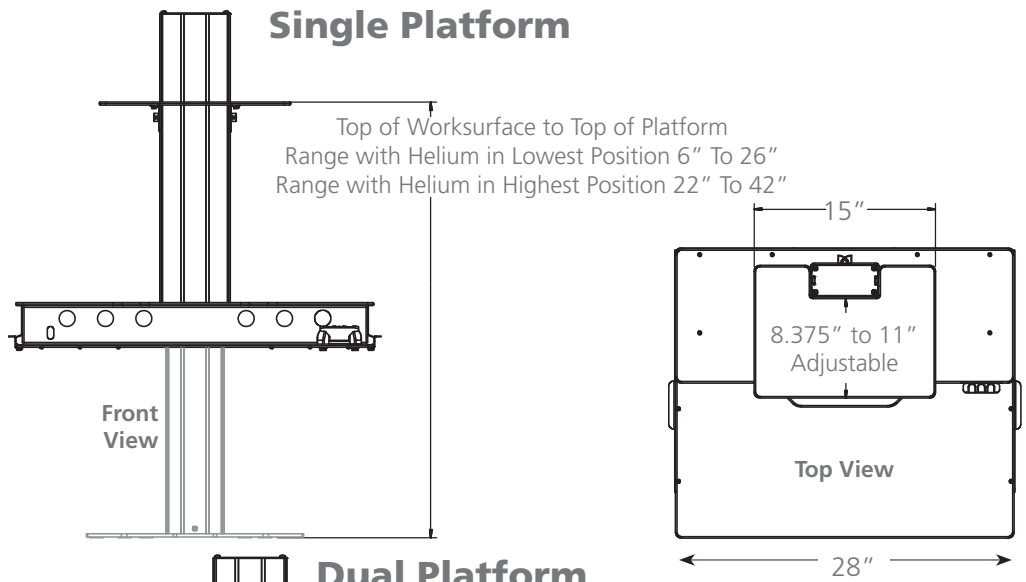
FREE FREIGHT on all
ergonomics

Hover™ Helium

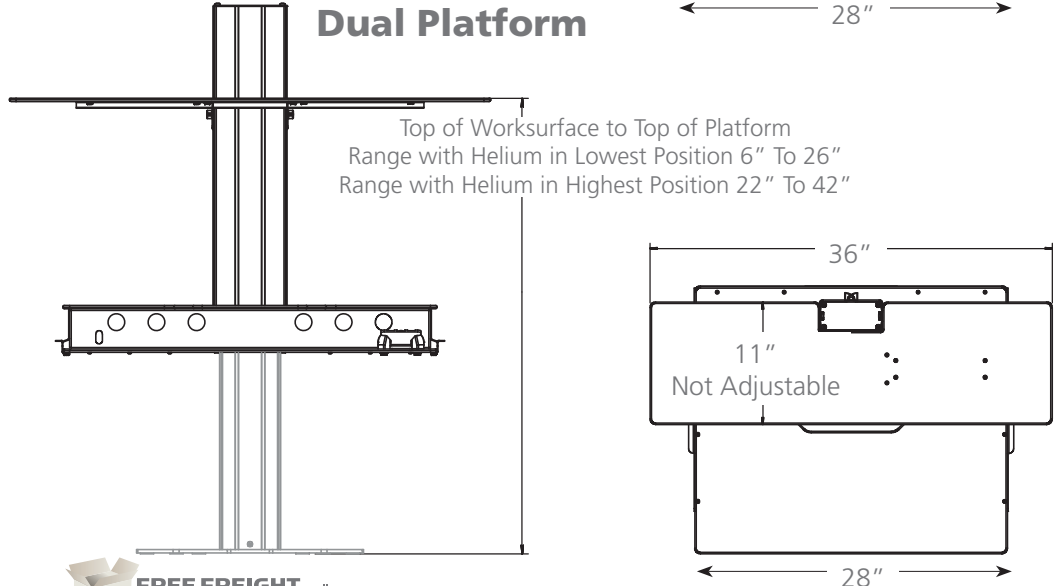


Model #	Description	List Price
Hover Helium Base		
HHBS2428BB	Hover Helium Base Standard 24x28 Black Base - Black Phenolic (can only be used with HHMSB and HHMPSB)	\$1,045
HHBS2428SW	Hover Helium Base Standard 24x28 Silver Base - White Phenolic (can only be used with HHMSB and HHMPSW)	\$1,045
HHBH2428BB	Hover Helium Base Heavy Duty 24x28 Black Base - Black Phenolic (can be used with HHMSB, HHMDB, HHMPSB and HHMPDB)	\$1,085
HHBH2428SW	Hover Helium Base Heavy Duty 24x28 Silver Base - White Phenolic (can be used with HHMSB, HHMDB, HHMPSW and HHMPDW)	\$1,085
Hover Helium Platform		
HHMPSB	Hover Helium Platform for Single Black , 8.375 to 11" deep (adjustable) & 15" wide (for monitors that are not VESA compliant)	\$50
HHMPSW	Hover Helium Platform for Single White , 8.375 to 11" deep (adjustable) & 15" wide (for monitors that are not VESA compliant)	\$50
HHMPDB	Hover Helium Platform for Dual Black , 11" deep (non-adjustable) & 36" wide (for monitors that are not VESA compliant)	\$250
HHMPDW	Hover Helium Platform for Dual White , 11" deep (non-adjustable) & 36" wide (for monitors that are not VESA compliant)	\$250

Single Platform

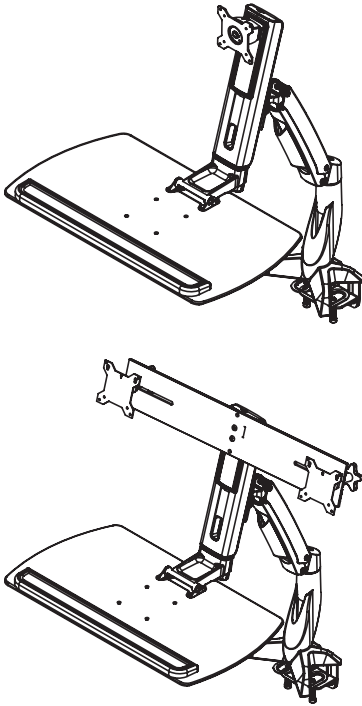


Dual Platform

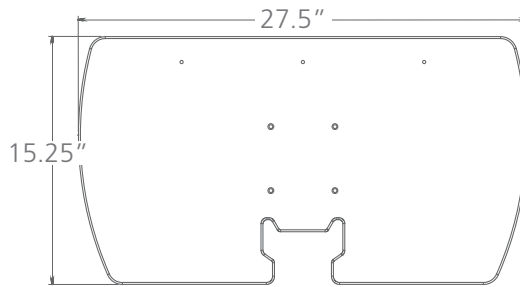


Hover™ Helium Jr.

- Transform your traditional desk into a sit-stand workstation.
- Easily adjust height and swivel to keep your workspace comfortable all day long.
- Adjustable keyboard and monitor arm which remains stable while typing.
- Clamp or grommet mount, maximum worksurface thickness 1¾".
- VESA mounting plate and column wire management included.
- Minimal footprint.
- Maximum monitor weight: 24 pounds.
- Travel Range: 16". Monitor travel range: 5".
- Five year warranty.



Hover Helium Jr.		
HSSWCSSB	Helium Jr Sit Stand Workstation Single Monitor Mount	\$895
HSSWCDSB	Helium Jr Sit Stand Workstation Dual Monitor Mount	\$995



Hover™ Series 2 Monitor Arms (spring or standard arm available)

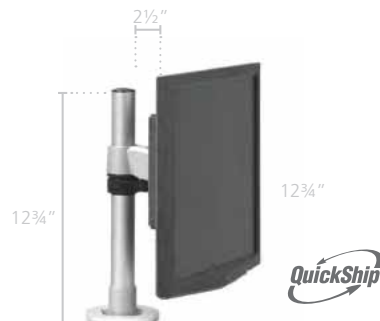
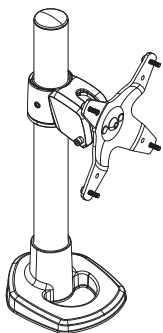
- Stylish ergonomic design.
- Post and spring systems available in multiple post height, (may order components separately).
- Swift movement with easy adjustment.
- Universal mounting system; no need to specify grommet or clamp.
- Wide angle and height range for comfortable viewing position.
- 360° pivot/105° tilt.
- Built-in internal cable management: cables route neatly under arm.
- Grommet hole dimensions: minimum 3/4", maximum 3".
- Grommet adjusts to table-top thickness of 7/8" to 1 1/2".
- Clamp adjusts to table-top thickness up to 2".
- Clamp depth 3 1/4" - 2 1/2", at 2 1/2" the entire clamp will not be under the desk.

- Weight-load: 22lbs./monitor.
- Quick release mechanism: easy install and removal of monitor and arm.
- Increase or decrease tension with built-in tool.
- Wall Mount: 240° swivel; all other models 360° swivel.
- Four piece 100mm x 200mm, adaptor available.
- Pole diameter is 1.295"

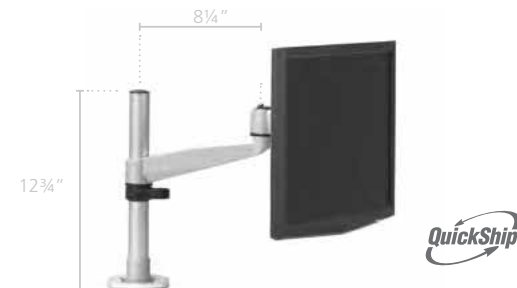
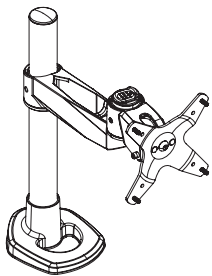


Standard Monitor Bracket
VESA MIS-D
75x75/100x100mm

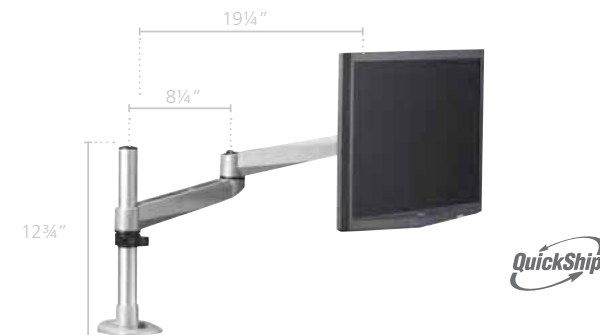
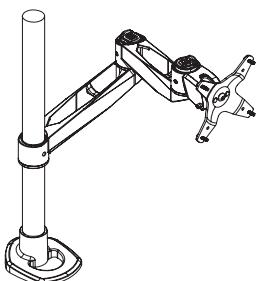
Model #	Description	List Price
Post Mount for One Monitor		
HS1101	Post Mount for 1 Monitor with 0 Extension Bracket	\$230
HS1101-52454	Post Mount for 1 Monitor with 0 Extension Brackets & 19" Pole	\$252



Post Mount for One Monitor		
HS1111	Post Mount for 1 Monitor with 1 Extension Bracket	\$294
HS1111-52454	Post Mount for 1 Monitor with 1 Extension Bracket & 19" Pole	\$313

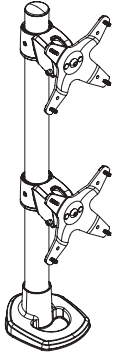


Post Mount for One Monitor		
HS1121	Post Mount for 1 Monitor with 2 Extension Brackets	\$372
HS1121-52454	Post Mount for 1 Monitor with 2 Extension Brackets & 19" Pole	\$396

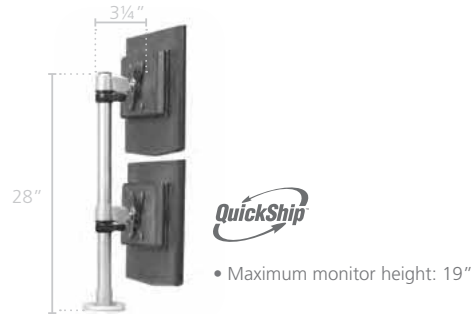


FREE FREIGHT_{on all}
ergonomics

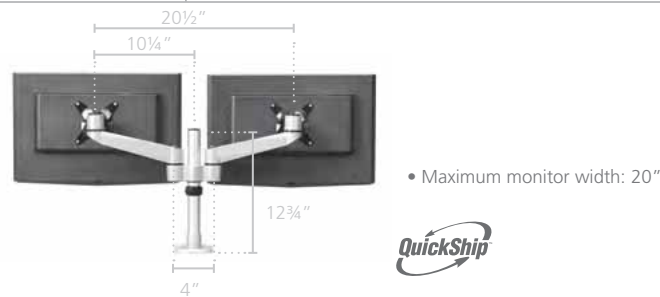
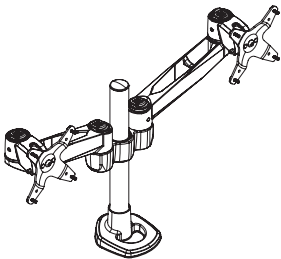
Hover™ Series 2 Monitor Arms (spring or standard arm available)



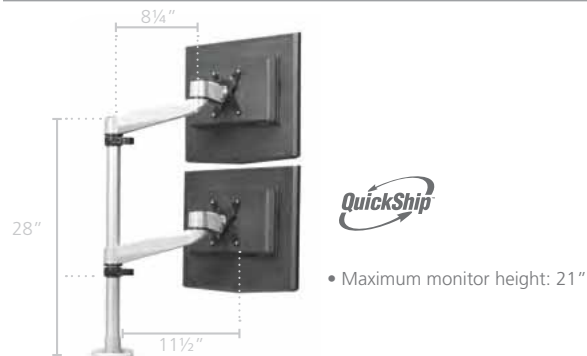
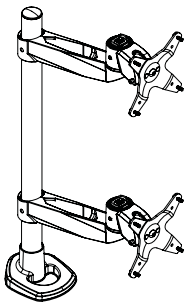
Model #	Description	List Price
Post Mount for Two Monitors		
HS1202	Post Mount for 2 Monitors with 0 Extension Brackets	\$417



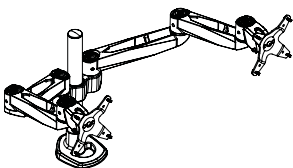
Post Mount for Two Monitors		
HS1211	Post Mount for 2 Monitors with 1 Extension Bracket	\$491
HS1211-52454	Post Mount for 2 Monitors with 1 Extension Bracket & 19" Pole	\$514
HS1211-52743	Post Mount for 2 Monitors with 1 Extension Bracket & 27" Pole	\$628



Post Mount for Two Monitors		
HS1212	Post Mount for 2 Monitors with 1 Extension Bracket	\$538

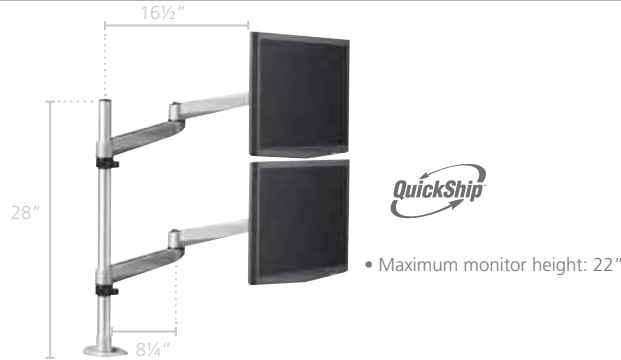
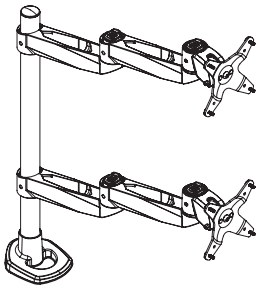


Post Mount for Two Monitors		
HS1221	Post Mount for 2 Monitors with 2 Extension Brackets	\$595
HS1221-52454	Post Mount for 2 Monitors with 2 Extension Brackets & 19" Pole	\$617
HS1221-52743	Post Mount for 2 Monitors with 2 Extension Brackets & 27" Pole	\$731

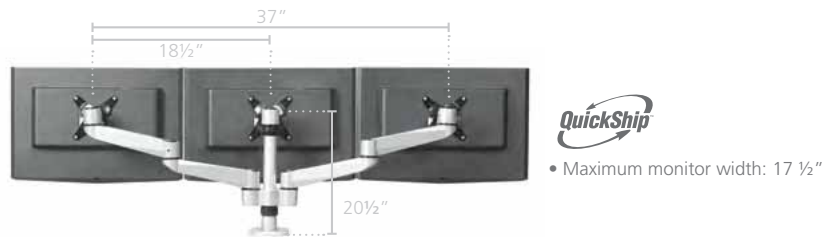
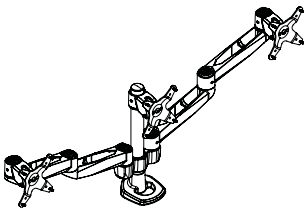


Hover™ Series 2 Monitor Arms (spring or standard arm available)

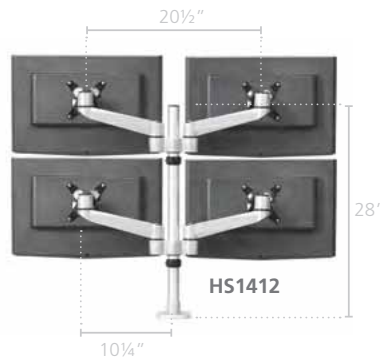
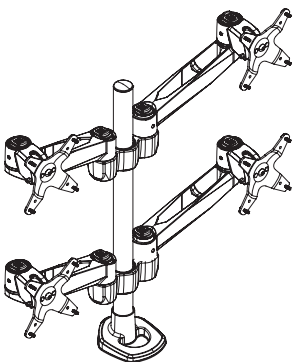
Model #	Description	List Price
Post Mount for Two Monitors		
HS1222	Post Mount for 2 Monitors with 2 Extension Brackets	\$659



Post Mount for Three Monitors		
HS1321	Post Mount for 3 Monitors with 2 Extension Brackets	\$731
HS1321-52743	Post Mount for 3 Monitors with 2 Extension Brackets & 27" Pole	\$846

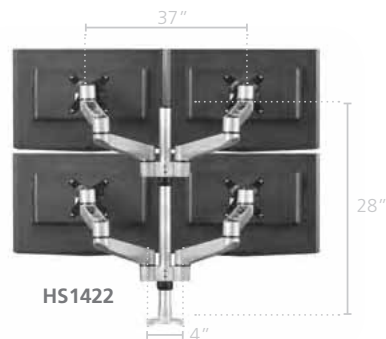


Post Mount for Four Monitors		
HS1412	Post Mount for 4 Monitors with 1 Extension Bracket	\$891
HS1422	Post Mount for 4 Monitors with 2 Extension Bracket	\$1,132



HS1412

- Maximum monitor width: 19"
- Maximum monitor height: 15"
- 88 lbs. maximum combined weight-load

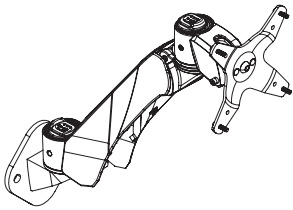


HS1422

- Maximum monitor width: 36"
- Maximum monitor height: 15"
- 88 lbs. maximum combined weight-load

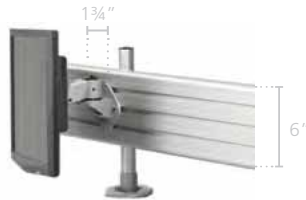
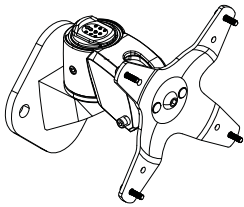


Hover™ Series 2 Monitor Arms (spring or standard arm available)

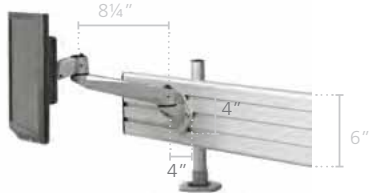
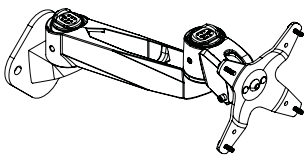


Model #	Description	List Price
Rail Mount for One Monitor		
HS3101R	Rail Mount for 1 Monitor with 0 Extensions, Spring Arm	\$399
HS3111R	Rail Mount for 1 Monitor with 1 Extensions, Spring Arm	\$456

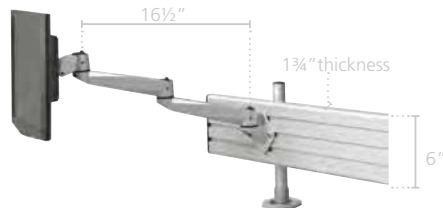
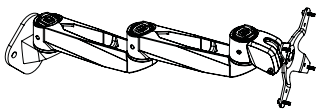
Rail Mount for One Monitor		
HS4100	Rail Mount for 1 Monitor with 0 Extensions	\$174



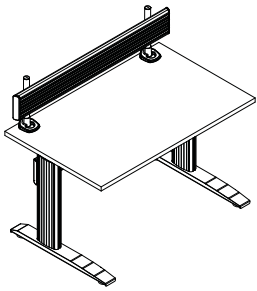
Rail Mount for One Monitor		
HS4110	Rail Mount for 1 Monitor with 1 Extensions	\$210



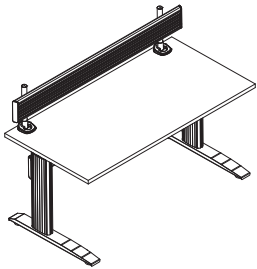
Rail Mount for One Monitor		
HS4120	Rail Mount for 1 Monitor with 2 Extensions	\$274



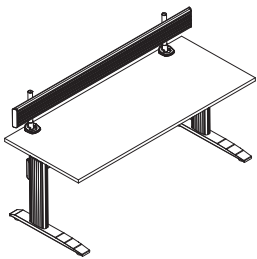
Hover™ Series 2 Monitor Arms (spring or standard arm available)



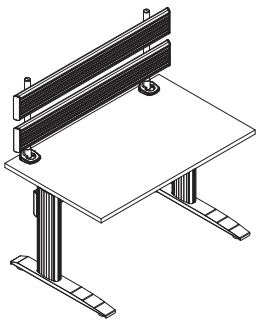
Model #	Description	List Price
Rail Mount with One Rail and Two Posts		
HS4001/48	One 48" Rail and Two posts	\$514



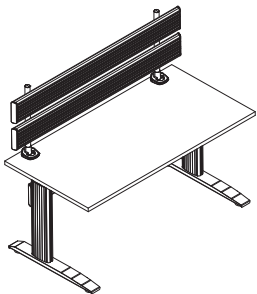
Rail Mount with One Rail and Two Posts		
HS4001/60	One 60" Rail and Two posts	\$563



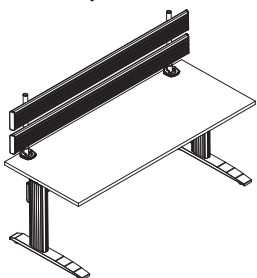
Rail Mount with One Rail and Two Posts		
HS4001/72	One 72" Rail and Two posts	\$608



Rail Mount with Two Rails and Two Posts		
HS4002/48	Two 48" Rails and Two posts	\$721



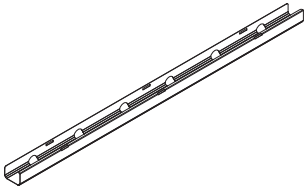
Rail Mount with Two Rails and Two Posts		
HS4002/60	Two 60" Rails and Two posts	\$813



Rail Mount with Two Rails and Two Posts		
HS4002/72	Two 72" Rails and Two posts	\$904

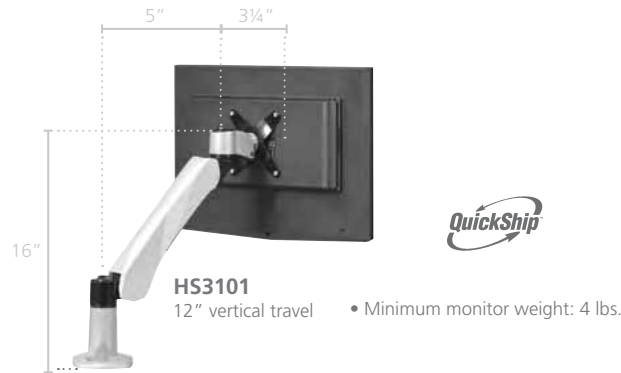
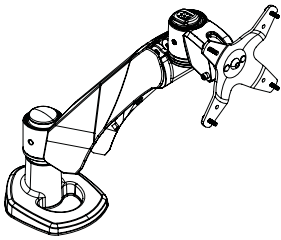


Hover™ Series 2 Monitor Arms (spring or standard arm available)

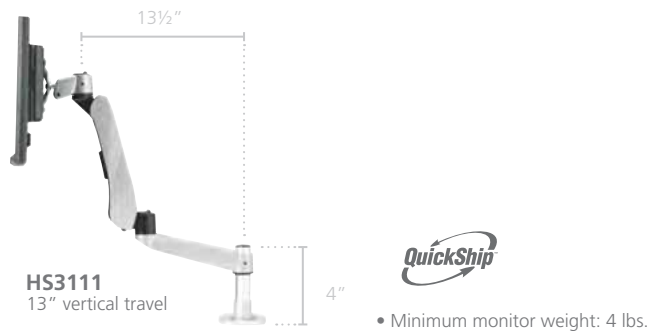
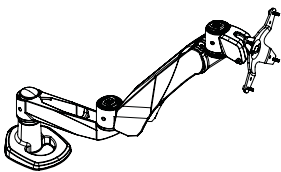


Model #	Description	List Price
Rail Wire Management (Horizontal)		
26RWM	26" Rail Wire Management (Horizontal) for 36" Table	\$60
38RWM	38" Rail Wire Management (Horizontal) for 48" Table	\$88
50RWM	50" Rail Wire Management (Horizontal) for 60" Table	\$115
62RWM	62" Rail Wire Management (Horizontal) for 72" Table	\$143

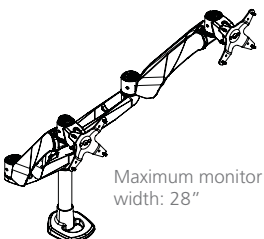
Spring Mount for One Monitor with 0 Extensions		
HS3101	Spring Mount for 1 Monitor with 0 Extension Bracket	\$399
HS3101-52453	Spring Mount for 1 Monitor with 0 Extension Bracket & 11" Pole	\$408
HS3101-52454	Spring Mount for 1 Monitor with 0 Extension Bracket & 19" Pole	\$430



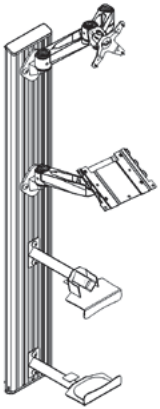
Spring Mount for One Monitor with One Extension		
HS3111	Spring Mount for 1 Monitor with 1 Extension Bracket	\$456
HS3111-52453	Spring Mount for 1 Monitor with 1 Extension Bracket & 11" Pole	\$464
HS3111-52454	Spring Mount for 1 Monitor with 1 Extension Bracket & 19" Pole	\$488



Spring Mount for One Monitor with Two Extensions		
HS3221	Spring Mount for 2 Monitors with 2 Extension Brackets 1 Level	\$777

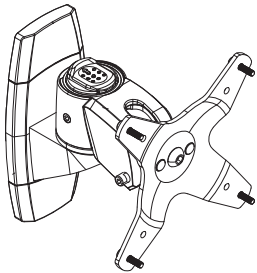


Hover™ Series 2 Monitor Arms (spring or standard arm available)

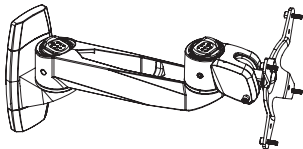


Model #	Description	List Price
Vertical Wall Mount Rail		
VW4048	Vertical Wall Mount Rail, 48" Rail (wall mount anchors not included.)	\$274
VW4055	Vertical Wall Mount Rail, 55" Rail (wall mount anchors not included.)	\$314
HSVW4110	Vertical Wall Mount Keyboard Extension Arm with 1 Ext. Bracket for JR	\$252
HSVW4110-HSAP	Vertical Wall Mount Keyboard Extension Arm with 1 Ext. Bracket for MRD	\$274
HSVW4120	Vertical Wall Mount Keyboard Extension Arm with 2 Ext. Bracket for JR	\$339
HSVW4120-HSAP	Vertical Wall Mount Keyboard Extension Arm with 2 Ext. Bracket for MRD	\$362

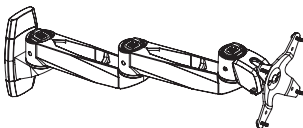
Wall Mount Bracket dimension: 6" tall, 2 5/8" wide



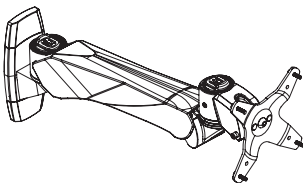
Wall Mount for One Monitor		
HS0100	Wall Mount for 1 Monitor with 0 Extension Bracket	\$174



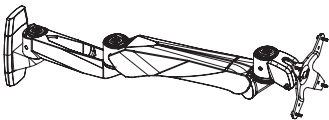
Wall Mount for One Monitor		
HS0110	Wall Mount for 1 Monitor with 1 Extension Bracket	\$210



Wall Mount for One Monitor		
HS0120	Wall Mount for 1 Monitor with 2 Extension Brackets	\$274

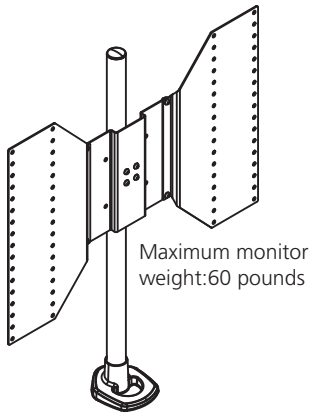


Wall Mount Spring Arm for One Monitor		
HS3101W	Wall Mount Spring Arm for 1 Monitor with 0 Extension Bracket	\$399



Wall Mount Spring Arm for One Monitor		
HS3111W	Wall Mount Spring Arm for 1 Monitor with 1 Extension Bracket	\$456

Hover™ Series 2 Monitor Arms (spring or standard arm available)



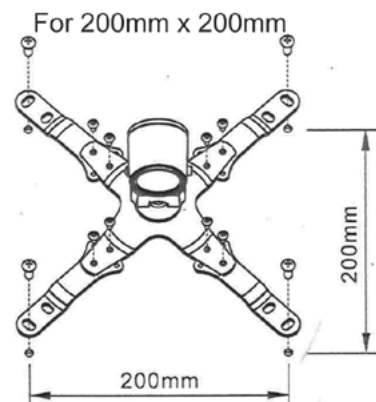
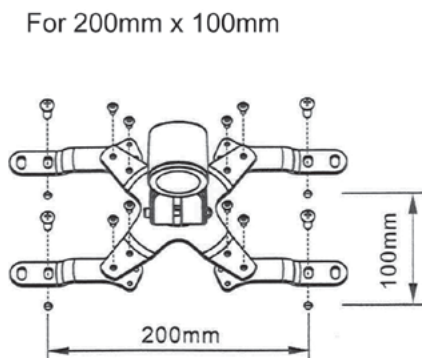
Model #	Description	List Price
Media Series - Large Screen Mount		
HSTVMNT	Monitor/TV Hover Mount Assembly (Vesa Mount)	\$504



52914	Apple LED Display Mount (Will not work with Apple All in one units) - includes hardware	\$140
-------	---	-------



52993	Adaptor 100mm x 200mm or 200mm x 200mm, consists of four pieces	\$55
-------	---	------



Laptop Platform		
LF400	Laptop Platform, includes USB Fan	\$92

Hover WM - Monitor Arm Systems

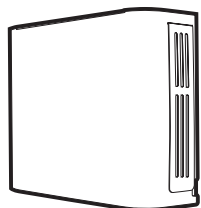
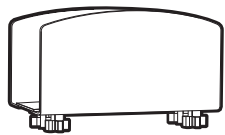
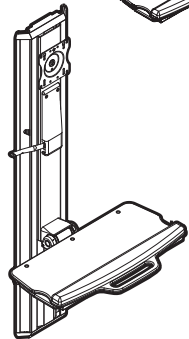
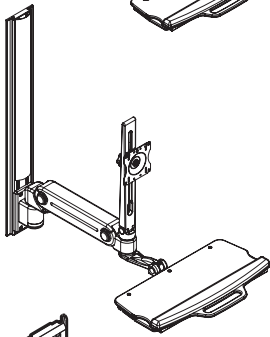
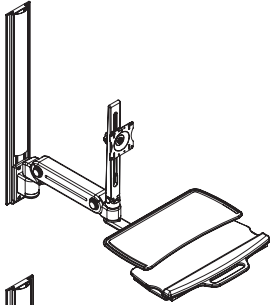
Hover WM Series - Standard and Workstation Platform

- Keyboard Dimensions: Keyboard itself is 19" x 9 3/8" (11" at the handle)
- Platform Dimensions: 9" x 9"
- LCD Height Adjustment - 9.5"
- Standard Combo Arm Max Weight - 4-20 pounds
- Workstation Platform Combo Arm Max Weight - 4-16 pounds
- Combo Arm Reach - 4" - 37"
- LCD Rotation - 360 degrees
- Counter Balanced Height Range - 270 degrees
- LCD Tilt Range - 38 degrees
- Mounting Standard - VESA 75mm / 100mm

Hover WM Series - Slim

- LCD Height Adjustment - 11.35"
- Maximum Load Capacity - 20 pounds
- LCD Rotation - 90 degrees
- LCD Pivot - 0 degrees
- LCD Tilt Range - 0 degrees
- Mounting Standard - VESA 75mm / 100mm

Ships in three to four weeks



Model #,Description,List Price

Workstation Platform		
HWM48	Hover WM 48" Workstation Platform	\$2,568
HWM32	Hover WM 32" Workstation Platform	\$2,406

Standard		
HWM48S	Hover WM 48" Standard	\$2,134
HWM32S	Hover WM 32" Standard	\$1,980

Slim Workstation		
HWMSW	Hover WM Slim Workstation	\$1,660

Track Cradle		
HWMCPUUTC	Ultra Thin Track CPU Cradle - Width Adjustment 1.25" - 4"	\$197
HWMCPUSC	Standard Track Mount CPU Cradle - Width Adjustment 4.5" - 8"	\$359

Enclosed CPU Track Mount		
HWMCPUE	Enclosed CPU Track Mount - Width Adjustment 4.5" - 5.5"	\$489

Extension Arm and Steel Pivot Limiter		
HWMA16	Extension Arm 16"	\$355
HWMSPL	Steel Pivot Limiter	\$91



Myriad™ Keyboard with Mouse and Articulating Arm Systems

MFP21

MEFP21 (Without mouse tray)



Myriad™ with FastAction Precision articulating arm

- No knob or lever needed for height adjustment
- 8" of height adjustment
- Low profile design maximizes knee space
- -15°/+10° tilt adjustment (positive lockout available)
- Height and tilt gauge
- 360° rear swivel
- 21" Precise glide track
- Mounting clearance of 21" or deeper*
- Extends 1-1/2" above worksurface
- Designed for disassembly and 100% recyclability
- Fits workstations **A B C D E G**

MCFP17

MECFP17 (Without mouse tray)



Myriad™ with Compact FastAction articulating arm

- No knob or lever needed for height adjustment
- 6" of height adjustment
- -20°/+0° tilt adjustment (+10° with positive lockout tab removed)
- 360° rear swivel
- 16.75" Precise glide track
- Mounting clearance of 17" or deeper*
- Designed for disassembly and 100% recyclability
- Fits workstations **A B D E F G**

MFSS22

MEFSS22 (Without mouse tray)



Myriad™ with FastAction Sit/Stand articulating arm

- Dial tilt height adjustment provides greater ADA compliance
- Designed for disassembly and 100% recyclability
- 14" of height adjustment
- Increased height range from +8.25/-5.88"
- -15°/+10° tilt adjustment with positive tilt lockout option
- 360° rear swivel
- 22" Precise glide track
- Mounting clearance of 22" or deeper
- Fits workstations **A B C D E G**

MVS17

MEVS17 (Without mouse tray)



Myriad™ with Value Swivel articulating arm

- Single knob adjusts height and tilt
- Spring assist for tilt and height adjustment
- 5-1/2" of height adjustment
- -15°/+10° tilt adjustment
- 360° rear swivel
- 17" Precise glide track
- Mounting clearance of 18" or deeper*
- Designed for disassembly and 100% recyclability
- Fits workstations **A B D E F G**

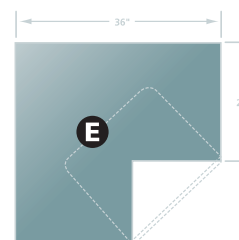
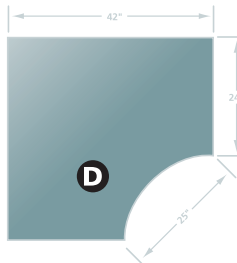
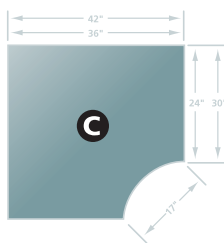
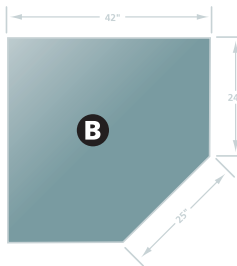
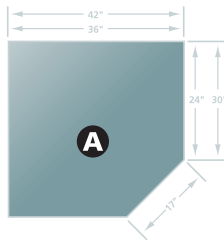
MTLF

METLF (Without mouse tray)

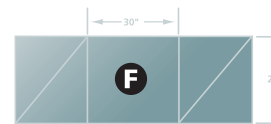


Myriad™ Trackless FastAction arm

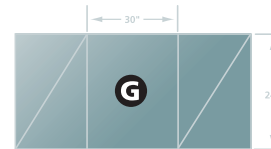
- Soft touch knob dial tilt with +10° to -15° tilt angles
- 5.73" of height adjustment
- 360° rear swivel
- Trackless design
- Mounting clearance of 17.5" or deeper for folding action
- Designed for disassembly and 100% recyclability
- Fits workstations **A B D E F G**



90° corners become usable workspace with RightAngle™'s Create-A-Corner.



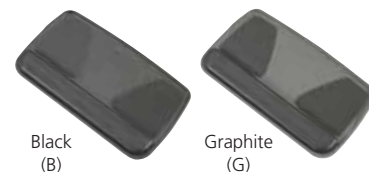
Measurements do not include modesty panel. **May be mounted under 20" worksurface but will not fully retract.



Measurements do not include modesty panel.



NaturalFit Palm support for the Microsoft® Natural or Natural Elite keyboard also available. To substitute, add 101 to end of model number.



MYRIAD™ COLORS

Black is standard color. For other colors, ADD: /G for Graphite after model number

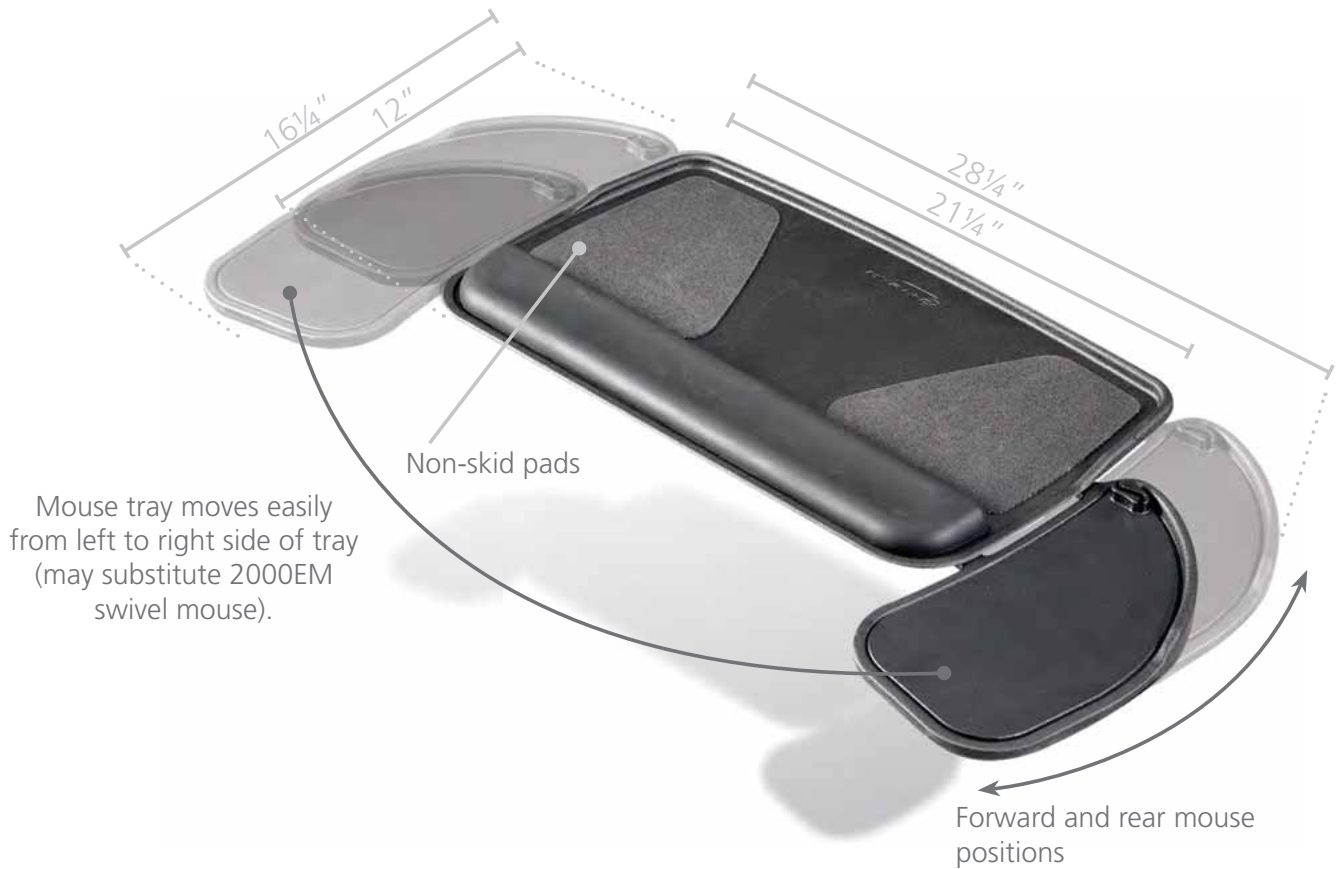
*For smaller workstations, please call customer service.

Myriad™ Keyboard with Mouse and Articulating Arm Systems

Myriad™ is the only product with a quick-connect hook and slot system. One thumbscrew needed to lock the tray and articulating arm together – cuts installation time up to 40%.

Myriad™ keyboard trays are made of steel for long-lasting strength and powder coated with a rich, wrinkle finish for added durability. A raised lip keeps your keyboard and mouse in place and a contoured palm support is standard for the keyboard.

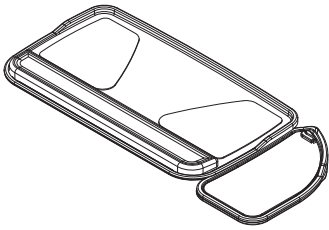
Myriad™ keyboard trays are designed to retrofit virtually any existing articulating arm, when used with our hook and slot adapter plate. Available with or without mouse tray.



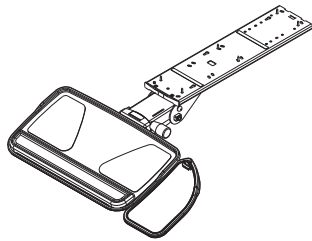
Myriad™ trays are designed to fit all workstation applications.



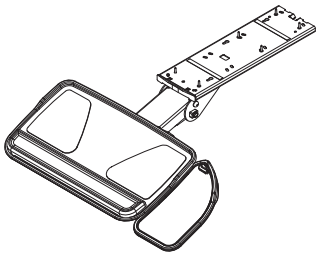
Myriad™ Keyboard with Mouse and Articulating Arm Systems



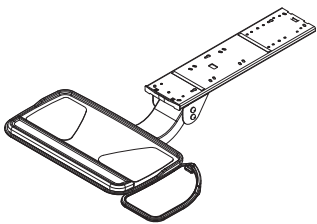
Model #	Description	List Price
Myriad Keyboard and Mouse Tray without arm		
MRD	Myriad Keyboard & Mouse Tray (without arm)	\$210
MRD-101	Myriad Keyboard & Mouse Tray with Natural Fit Palm Support (without arm)	\$242
MRD-106	Myriad Keyboard & Mouse Tray & Gel Palm Support (without arm)	\$220



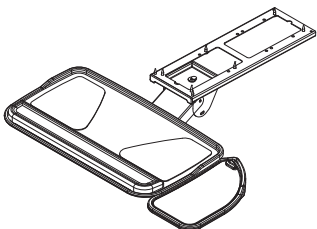
Myriad Keyboard and Mouse Tray with FastAction Precision Arm		
MFP21	Myriad Keyboard & Mouse Tray with FastAction Precision Arm	\$480
MFP21-101	Myriad Keyboard & Mouse Tray with FastAction Precision Arm / Nat. Fit Palm Support	\$512
MFP21-106	Myriad Keyboard & Mouse Tray with FastAction Precision Arm & Gel Palm Support	\$490



Myriad Keyboard and Mouse Tray with Compact FastAction Arm		
MCFP17	Myriad Keyboard & Mouse Tray with Compact FastAction Arm	\$480
MCFP17-101	Myriad Keyboard & Mouse Tray with Compact FastAction Arm / Nat. Fit Palm Support	\$512
MCFP17-106	Myriad Keyboard & Mouse Tray with Compact FastAction Arm & Gel Palm Support	\$490



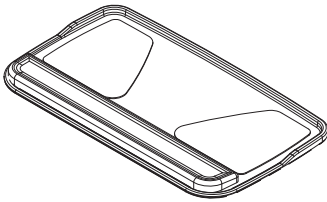
Myriad Keyboard and Mouse Tray with FastAction Sit/Stand Arm		
MFSS22	Myriad Keyboard & Mouse Tray with FastAction Sit/Stand Arm	\$599
MFSS22-101	Myriad Keyboard & Mouse Tray with FastAction Sit/Stand Arm / Nat. Fit Palm Support	\$631
MFSS22-106	Myriad Keyboard & Mouse Tray with FastAction Sit/Stand Arm & Gel Palm Support	\$609



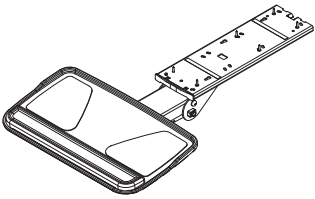
Myriad Keyboard and Mouse Tray with Value Swivel Arm		
MVS17	Myriad Keyboard & Mouse Tray with Value Swivel Arm	\$393
MVS17-101	Myriad Keyboard & Mouse Tray with Value Swivel Arm / Natural Fit Palm Support	\$425
MVS17-106	Myriad Keyboard & Mouse Tray with Value Swivel Arm & Gel Palm Support	\$403

Myriad Keyboard and Mouse Tray with Trackless FastAction Arm		
MTLF	Myriad Keyboard & Mouse Tray with Trackless FastAction Arm	\$506
MTLF-101	Myriad Keyboard & Mouse Tray with Trackless FastAction Arm / Nat. Fit Palm Support	\$538

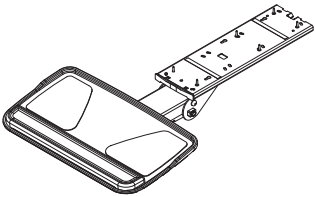
Myriad™ Keyboard with Mouse and Articulating Arm Systems



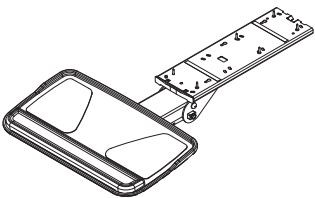
Model #	Description	List Price
Myriad Economy Keyboard Tray Only without arm		
MRDE	Myriad Economy Keyboard Only Tray (without arm)	\$135
MRDE-101	Myriad Economy Keyboard Only Tray (without arm) with Natural Fit Palm Support	\$166
MRDE-106	Myriad Economy Keyboard Only Tray (without arm) & Gel Palm Support	\$145



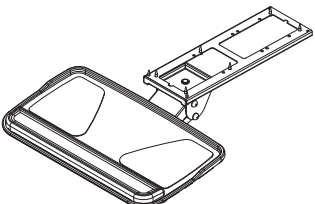
Myriad Economy Keyboard Only Tray with FastAction Precision Arm		
MEFP21	Myriad Economy Keyboard Only Tray with FastAction Precision Arm	\$405
MEFP21-101	Myriad Economy Keyboard Only Tray with FastAction Precision Arm with Natural Fit Palm Support	\$436
MEFP21-106	Myriad Economy Keyboard Only Tray with FastAction Precision Arm & Gel Palm Support	\$415



Myriad Economy Keyboard Tray Only with Compact FastAction Arm		
MECFP17	Myriad Economy Keyboard Tray Only with Compact FastAction Arm	\$405
MECFP17-101	Myriad Economy Keyboard Tray Only with Compact FastAction Arm with Natural Fit Palm Support	\$437
MECFP17-106	Myriad Economy Keyboard Tray Only with Compact FastAction Arm & Gel Palm Support	\$415



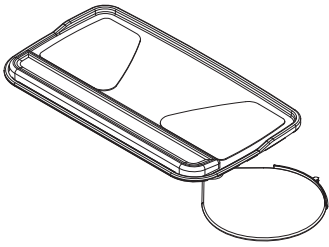
Myriad Economy Keyboard Tray Only with FastAction Sit/Stand Arm		
MEFSS22	Myriad Economy Keyboard Only Tray with FastAction Sit/Stand Arm	\$524
MEFSS22-101	Myriad Economy Keyboard Only Tray with FastAction Sit/Stand Arm with Natural Fit Palm Support	\$555
MEFSS22-106	Myriad Economy Keyboard Only Tray with FastAction Sit/Stand Arm & Gel Palm Support	\$534



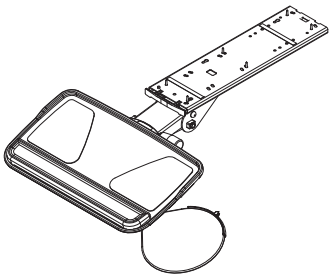
Myriad Economy Keyboard Only Tray with Value Swivel Arm		
MEVS17	Myriad Economy Keyboard Only Tray with Value Swivel Arm	\$318
MEVS17-101	Myriad Economy Keyboard Only Tray with Value Swivel Arm with Natural Fit Palm Support	\$349
MEVS17-106	Myriad Economy Keyboard Only Tray with Value Swivel Arm & Gel Palm Support	\$328

Myriad Keyboard and Mouse Tray with Trackless FastAction Arm		
METLF	Myriad Economy Keyboard Only Tray with Trackless FastAction Arm	\$431
METLF-101	Myriad Economy Keyboard Only Tray with Trackless FastAction Arm with Natural Fit Palm Support	\$462
METLF-106	Myriad Economy Keyboard Only Tray with Trackless FastAction Arm & Gel Palm Support	\$441

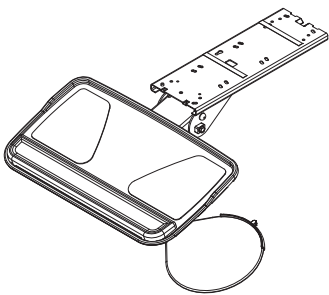
Myriad™ Keyboard with Mouse and Articulating Arm Systems



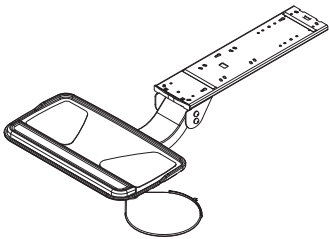
Model #	Description	List Price
Myriad Keyboard Tray with 2000EM Swivel Mouse without arm		
MRD-2000	Myriad Keyboard Tray with 2000EM Swivel Mouse (without arm)	\$210
MRD-2000-106	Myriad Keyboard Tray with 2000EM Swivel Mouse & Gel Palm Support (without arm)	\$220



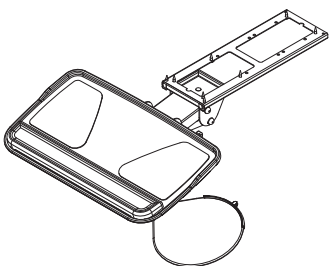
Myriad Keyboard Tray with 2000EM Swivel Mouse and FastAction Arm		
MFP21-2000	Myriad Keyboard Tray with 2000EM & FastAction Arm	\$480
MFP21-2000-106	Myriad Keyboard Tray with 2000EM & FastAction Arm & Gel Palm Support	\$490



Myriad Keyboard Tray with 2000EM Swivel Mouse and Compact FastAction Arm		
MCFP17-2000	Myriad Keyboard Tray with 2000EM & Compact FastAction Arm	\$480
MCFP17-2000-106	Myriad Keyboard Tray with 2000EM & Compact FastAction Arm & Gel Palm Support	\$490



Myriad Keyboard Tray with 2000EM Swivel Mouse and FastAction Sit/Stand Arm		
MFSS22-2000	Myriad Keyboard Tray with 2000EM & FastAction Sit/Stand Arm	\$599
MFSS22-2000-106	Myriad Keyboard Tray with 2000EM & FastAction Sit/Stand Arm & Gel Palm Support	\$609



Myriad Keyboard Tray with 2000EM Swivel Mouse and Value Swivel Arm		
MVS17-2000	Myriad Keyboard Tray with 2000EM & Value Swivel Arm	\$393
MVS17-2000-106	Myriad Keyboard Tray with 2000EM & Value Swivel Arm & Gel Palm Support	\$403

Myriad™ Junior Tray (Value Series) Workstations

JFP21/S



Myriad™ Jr. with FastAction Precision articulating arm

- No knob or lever needed for height adjustment
- 8" of height adjustment
- Low profile design maximizes knee space
- -15°/+10° tilt adjustment (positive lockout available)
- Height and tilt gauge
- 360° rear swivel
- 21" Precise glide track
- Mounting clearance of 21" or deeper*
- Extends 1-1/2" above worksurface
- Designed for disassembly and 100% recyclability
- Fits workstations **A B C D E G**

JTLF/S



JETLF (Without mouse tray)

Myriad™ Trackless FastAction arm

- Soft touch knob dial tilt with +10° to -15° tilt angles
- 5.73" of height adjustment
- 360° rear swivel
- Trackless design
- Mounting clearance of 17.5" or deeper for folding action
- Designed for disassembly and 100% recyclability
- Fits workstations **A B D E F G**

JVS17/S



Myriad™ Jr. with Value Swivel articulating arm

- Single knob adjusts height and tilt
- Spring assist for tilt and height adjustment
- 5-1/2" of height adjustment
- -15°/+10° tilt adjustment
- 360° rear swivel
- 17" nylon glide track
- Mounting clearance of 18" or deeper*
- Designed for disassembly and 100% recyclability
- Fits workstations **A B D E F G**

JCFP17/S



Myriad™ Jr. with Compact FastAction articulating arm

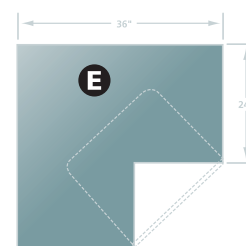
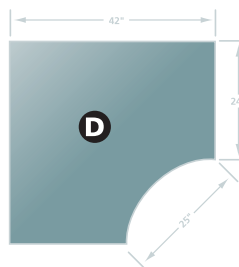
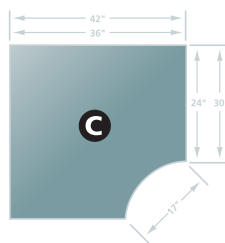
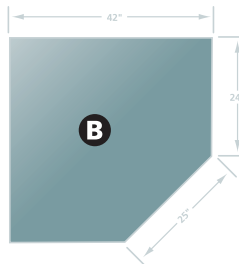
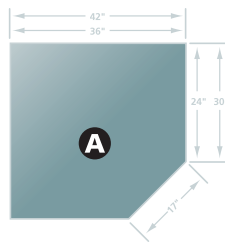
- No knob or lever needed for height adjustment
- 6" of height adjustment
- -20°/+0° tilt adjustment (+10° with positive lockout tab removed)
- 360° rear swivel
- 16.75" precise glide track
- Mounting clearance of 17" or deeper*
- Designed for disassembly and 100% recyclability
- Fits workstations **A B D E F G**

JFSS22/S

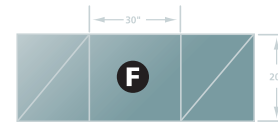


Myriad™ Jr. with FastAction Sit/Stand articulating arm

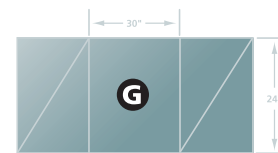
- Dial tilt height adjustment provides greater ADA compliance
- Designed for disassembly and 100% recyclability
- 14" of height adjustment
- Increased height range from +8.25/-5.88"
- -15°/+10° tilt adjustment with positive tilt lockout option
- 360° rear swivel
- 22" Precise glide track
- Mounting clearance of 22" or deeper
- Fits workstations **A B C D E G**



90° corners become usable workspace with RightAngle™'s Create-A-Corner.

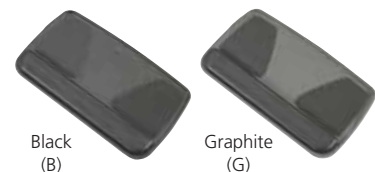


Measurements do not include modesty panel. **May be mounted under 20" worksurface but will not fully retract.



Measurements do not include modesty panel.

Myriad™ tray is available in Black and Graphite



MYRIAD™ COLORS

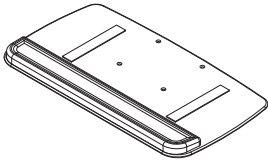
Black is standard color. For other colors, ADD: /G for Graphite after model number

*For smaller workstations, please call customer service.

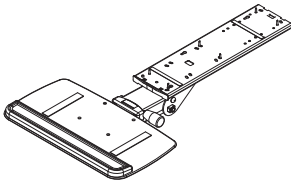


Myriad™ Junior Tray (Value Series) Workstations

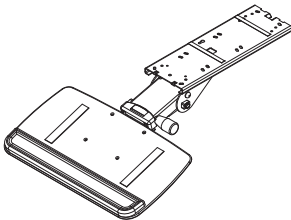
- Economical phenolic keyboard platform with swivel mouse
- Swivel mouse platform may be mounted for left or right-hand use
- Includes palm support 104KPS
- Mouse platform swivels completely under keyboard tray
- Available with or without mouse



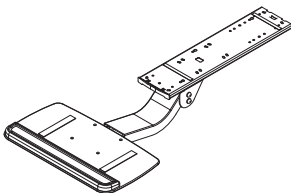
Model #	Description	List Price
Myriad Junior Keyboard Tray Only without arm		
JE	Myriad Junior Keyboard Tray Only (without arm)	\$91
JE-101	Myriad Junior Keyboard Tray Only (without arm) & 101RGKPS	\$122
JE-106	Myriad Junior Keyboard Tray Only (without arm) & Gel Palm Support	\$101



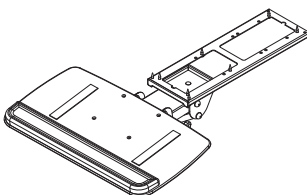
Myriad Junior Keyboard Tray Only with FastAction Precision Arm		
JECFP17/S	Myriad Junior Keyboard Tray Only with FastAction Precision Arm	\$361
JECFP17/S-101	Myriad Junior Keyboard Tray Only with FastAction Precision Arm & 101RGKPS	\$392
JECFP17/S-106	Myriad Junior Keyboard Tray Only with FastAction Precision Arm & Gel Palm Support	\$371



Myriad Junior Keyboard Tray Only with Compact FastAction Arm		
JEFP21/S	Myriad Junior Keyboard Tray Only with Compact FastAction Arm	\$361
JEFP21/S-101	Myriad Junior Keyboard Tray Only with Compact FastAction Arm & 101RGKPS	\$392
JEFP21/S-106	Myriad Junior Keyboard Tray Only with Compact FastAction Arm & Gel Palm Support	\$371



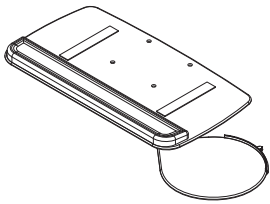
Myriad Junior Keyboard Tray Only with FastAction Sit/Stand Arm		
JEFSS22/S	Myriad Junior Keyboard Tray Only with FastAction Sit/Stand Arm	\$480
JEFSS22/S-101	Myriad Junior Keyboard Tray Only with FastAction Sit/Stand Arm & 101RGKPS	\$511
JEFSS22/S-106	Myriad Junior Keyboard Tray Only with FastAction Sit/Stand Arm & Gel Palm Support	\$490



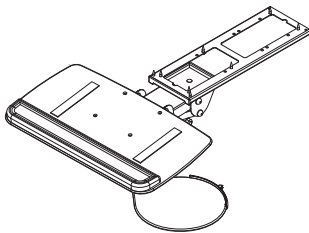
Myriad Junior Keyboard Tray Only with Value Swivel Arm		
JETLF/S	Myriad Junior Keyboard Tray Only with Value Swivel Arm	\$387
JEVS17/S	Myriad Junior Keyboard Tray Only with Value Swivel Arm & 101RGKPS	\$274
JEVS17/S-101	Myriad Junior Keyboard Tray Only with Value Swivel Arm & Gel Palm Support	\$305

Myriad Junior Keyboard Tray Only with Value Trackless FastAction Arm		
JETLF/S	Myriad Junior Keyboard Tray Only with Trackless FastAction Arm	\$387

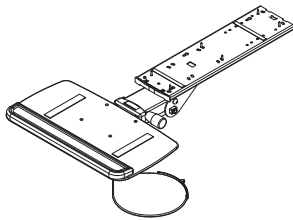
Myriad™ Junior Tray (Value Series) Workstations



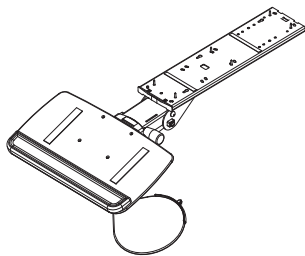
Model #	Description	List Price
Myriad Junior Keyboard and Swivel Mouse Tray without arm		
JR	Myriad Junior Keyboard & Swivel Mouse Tray (without arm)	\$142
JR-101	Myriad Junior Keyboard & Swivel Mouse Tray and 101RGKPS (without arm)	\$173
JR-106	Myriad Junior Keyboard & Swivel Mouse Tray & Gel Palm Support (without arm)	\$152



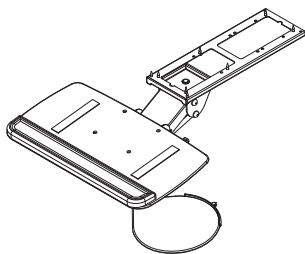
Myriad Junior Keyboard and Swivel Mouse Tray with CFP17/S		
JCFP17/S	Myriad Junior Keyboard & Swivel Mouse Tray with CFP17/S	\$412
JCFP17/S-101	Myriad Junior Keyboard & Swivel Mouse Tray with CFP17/S & 101RGKPS	\$443
JCFP17/S-106	Myriad Junior Keyboard & Swivel Mouse Tray with CFP17/S & Gel Palm Support	\$422



Myriad Junior Keyboard and Swivel Mouse Tray with FP21/S		
JFP21/S	Myriad Junior Keyboard & Swivel Mouse Tray with FP21/S	\$412
JFP21/S-101	Myriad Junior Keyboard & Swivel Mouse Tray with FP21/S and 101RGKPS	\$443
JFP21/S-106	Myriad Junior Keyboard & Swivel Mouse Tray with FP21/S & Gel Palm Support	\$422



Myriad Junior Keyboard and Swivel Mouse Tray with FSS22/S		
JFSS22/S	Myriad Junior Keyboard & Swivel Mouse Tray with FSS22/S	\$531
JFSS22/S-101	Myriad Junior Keyboard & Swivel Mouse Tray with FSS22/S and 101RGKPS	\$562
JFSS22/S-106	Myriad Junior Keyboard & Swivel Mouse Tray with FSS22/S & Gel Palm Support	\$541



Myriad Junior Keyboard and Swivel Mouse Tray with VS17/S		
JVS17/S	Myriad Junior Keyboard & Swivel Mouse Tray with VS17/S	\$325
JVS17/S-101	Myriad Junior Keyboard & Swivel Mouse Tray with 101RGKPS	\$356
JVS17/S-106	Myriad Junior Keyboard & Swivel Mouse Tray with VS17/S & Gel Palm Support	\$335

Myriad Junior Keyboard and Swivel Mouse Tray with VS17/S		
JTLF/S	Myriad Junior Keyboard & Swivel Mouse Tray with TLF/S Trackless FastAction Arm	\$438

245E Keyboard (Economy Series) Workstations

EFP21/S



245E with FastAction Precision articulating arm

- No knob or lever needed for height adjustment
- 8" of height adjustment
- Low profile design maximizes knee space
- -15°/+10° tilt adjustment (positive lockout available)
- Height and tilt gauge
- 360° rear swivel
- 21" Precise glide track
- Mounting clearance of 21" or deeper*
- Designed for disassembly and 100% recyclability
- Extends 1-1/2" above worksurface
- Fits workstations **A B D E G**

ETLF/S



Myriad™ Trackless FastAction arm

- Soft touch knob dial tilt with +10° to -15° tilt angles
- 5.73" of height adjustment
- 360° rear swivel
- Trackless design
- Mounting clearance of 17.5" or deeper for folding action
- Designed for disassembly and 100% recyclability
- Fits workstations **A B D E F G**

EVS17/S



245E with Value Swivel articulating arm

- Single knob adjusts height and tilt
- Spring assist for tilt and height adjustment
- 5-1/2" of height adjustment
- -15°/+10° tilt adjustment
- 360° rear swivel
- 17" nylon glide track
- Mounting clearance of 18" or deeper*
- Designed for disassembly and 100% recyclability
- Fits workstations **B D E F G**

ECFP17/S



245E with Compact FastAction articulating arm

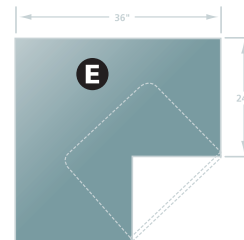
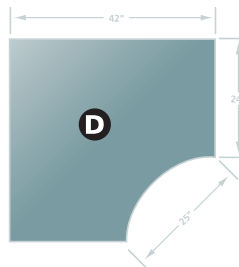
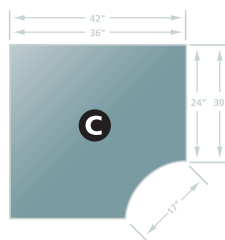
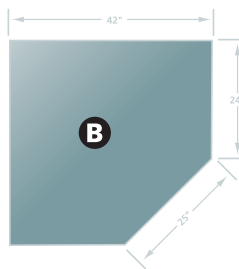
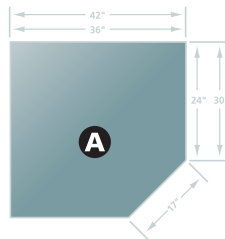
- No knob or lever needed for height adjustment
- 6" of height adjustment
- Rises approximately level with desktop
- -20°/+0° tilt adjustment (+10° with positive lockout tab removed)
- 360° rear swivel
- 18-1/2" Precise glide track
- Mounting clearance of 19" or deeper*
- Designed for disassembly and 100% recyclability
- Fits workstations **B D E F G**

EFSS22/S

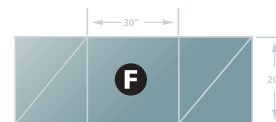


245E with FastAction Sit/Stand articulating arm

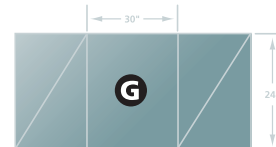
- Dial tilt height adjustment provides greater ADA compliance
- Designed for disassembly and 100% recyclability
- 14" of height adjustment
- Increased height range from +8.25/-5.88"
- -15°/+10° tilt adjustment with positive tilt lockout option
- 360° rear swivel
- 22" Precise glide track
- Mounting clearance of 22" or deeper
- Fits workstations **A B D E G**



90° corners become usable workspace with RightAngle™'s Create-A-Corner.



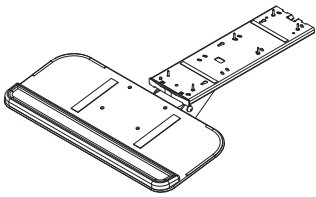
Measurements do not include modesty panel. **May be mounted under 20" worksurface but will not fully retract.



Measurements do not include modesty panel.

245E Keyboard (Economy Series) Workstations

- Economical phenolic keyboard platform for the keyboard and mouse
- Includes mouse stops and non-skid strips for keyboard
- Includes palm support 107KPS

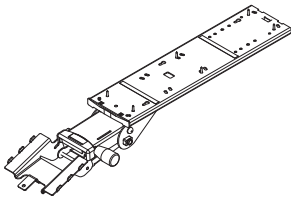


Model #	Description	List Price
245E	245E Keyboard Tray (without arm)	\$142
ECFP17/S	245E Keyboard Tray with Compact FastAction Arm	\$412
EFSS22/S	245E Keyboard Tray with FastAction Sit/Stand Arm	\$531
EFP21/S	245E Keyboard Tray with FastAction Precision Arm	\$412
EVS17/S	245E Keyboard Tray with Value Swivel Arm	\$325
ETLF/S	245E Keyboard Tray with Trackless FastAction Arm	\$438

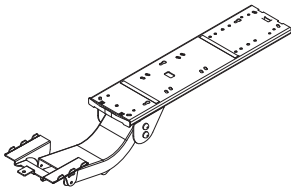


Tray Accessories

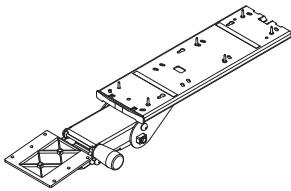
Model #	Description	List Price
Palm Support		
104KPS	Keyboard Palm Support-Standard (for Standard Keyboard)	\$41
106GKPS	Keyboard Palm Support - GEL (for Standard Keyboard)	\$52
107KPS	Keyboard Palm Support 24.5" for 245E and 2450CKM	\$49
101RGKPS	Keyboard Palm Support (for Microsoft Natural & Natural Elite Keyboards)	\$72
103MPSMT	Mouse Palm Support - Standard (for Myriad Mouse Tray)	\$26
106GMPSMT	Mouse Palm Support - GEL (for Myriad Mouse Tray)	\$32



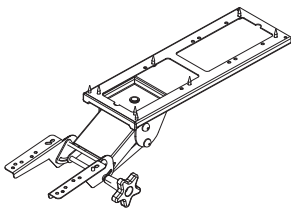
Fast Action Arm		
CFP17	Compact FastAction Arm	\$270
FP21	FastAction Precision Arm	\$270



Fast Action Arm		
FSS22	FastAction Sit/Stand	\$389



Fast Action Arm		
CFP17/S	Compact FastAction Arm / Standard	\$270
FP21/S	FastAction Arm / Standard	\$270
FSS22/S	FastAction Sit/Stand / Standard	\$389



Lever Lock - Value Swivel Arm		
VS17	Value Swivel Arm	\$183
VS17/S	Value Swivel Arm / Standard	\$183

Trackless FastAction Arm		
TLF	Trackless FastAction Arm	\$296
TLF/S	Trackless FastAction Arm / Standard	\$296

Laptop / Notebook Tray and Docking Station Drawer

415NR - Notebook Tray

- Strong steel construction
- Compatible with most articulating arms

415NSR - NotebookSafe™ Tray

- Helps reduce notebook computer theft
- 14 GA steel locking bar
- Keyed lock (may be keyed alike)
- Will fit notebook/laptop:
1-1/8" to 2-5/8" H x 14" W x 12-3/4" D

417NR - Notebook Tray

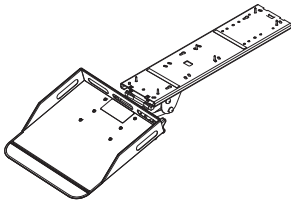
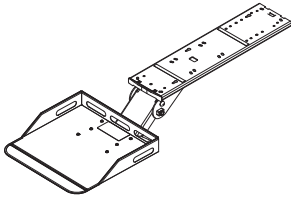
- 17" W x 14-5/16" D

417NSR - NotebookSafe™ Tray

- 17" W x 12-3/4" D
- Will fit notebook/laptop:
1-1/8" to 2-5/8" H x 17" W x 12-3/4" D

DS500 - Docking Station Drawer

- Keeps workspace clear
- Ball bearing slides lock in open and closed positions
- 16-1/2" W x 18-1/4" D x 3-1/4" to 4-3/4" H
- Install dimensions: 17-3/4" W x 25" D
- Includes cord management
- Custom sizes available



Model #	Description	List Price
Laptop / Notebook Tray		
415NR	Laptop / Notebook Tray 14"w x 14.25d"	\$153
417NR	Laptop / Notebook Tray 17"w x 14.25d"	\$176
NCFP21/S	Laptop / Notebook Tray - 415NR & Compact FastAction Arm CFP21/S	\$423
NCFP21/S-17	Laptop / Notebook Tray - 417NR & Compact FastAction Arm CFP21/S	\$446
NFP23/S	Laptop / Notebook Tray - 415NR & FastAction Precision Arm FP23/S	\$423
NFP23/S-17	Laptop / Notebook Tray - 417NR & FastAction Precision Arm FP23/S	\$446
NFSS26/S	Laptop / Notebook Tray - 415NR & FastAction Sit/Stand FSS26/S	\$542
NFSS26/S-17	Laptop / Notebook Tray - 417NR & FastAction Sit/Stand FSS26/S	\$565

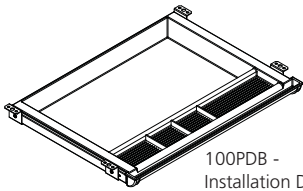
Laptop / Notebook Tray		
NVS23/S	Laptop / Notebook Tray - 415NR & Value Swivel Arm VS23/S	\$336
NVS23/S-17	Laptop / Notebook Tray - 417NR & Value Swivel Arm VS23/S	\$359

Laptop / Notebook Locking Tray and Docking Station Drawer		
415NSR	Laptop / Notebook Locking Tray 14"w x 14.25d"	\$299
417NSR	Laptop / Notebook Locking Tray 17"w x 14.25d"	\$322
NSCFP21/S	Laptop / Notebook Locking Tray - 415NSR & Compact FastAction Arm CFP21/S	\$569
NSCFP21/S-17	Laptop / Notebook Locking Tray - 417NSR & Compact FastAction Arm CFP21/S	\$592
NSFP23/S	Laptop / Notebook Locking Tray - 415NSR & FastAction Precision Arm FP23/S	\$569
NSFP23/S-17	Laptop / Notebook Locking Tray - 417NSR & FastAction Precision Arm FP23/S	\$592
NSFSS26/S	Laptop / Notebook Locking Tray - 415NSR & FastAction Sit/Stand Arm FSS26/S	\$688
NSFSS26/S-17	Laptop / Notebook Locking Tray - 417NSR & FastAction Sit/Stand Arm FSS26/S	\$711
NSVS23/S	Laptop / Notebook Locking Tray - 415NSR & Value Swivel Arm VS23/S	\$482
NSVS23/S-17	Laptop / Notebook Locking Tray - 417NSR & Value Swivel Arm VS23/S	\$505
DS500	Laptop / Notebook Docking Station Drawer	\$240

Articulating Arms for Notebook Trays		
FP23/S	FastAction Precision Articulating Arm	\$270
FSS26/S	FastAction Sit/Stand Articulating Arm	\$389
CFP21/S	Compact FastAction Articulating Arm	\$270
VS23/S	Value Swivel Articulating Arm	\$183

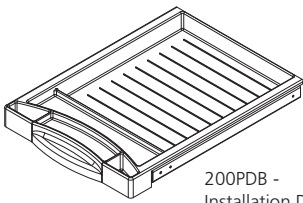


Pencil Drawers and Accessories



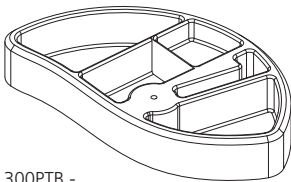
100PDB -
Installation Dimensions
21-1/4"W x 16-1/8"D x 1-3/4" H

Model #	Description	List Price
Pencil Drawer		
100PDB	Pencil Drawer - Full Size (21-1/4"w x 16-1/8"d x 1-3/4"h)	\$79
100PDB-10	Pencil Drawer - Full Size (21-1/4"w x 16-1/8"d x 1-3/4"h) 10-Pack Special Fixed Dealer Price	Call



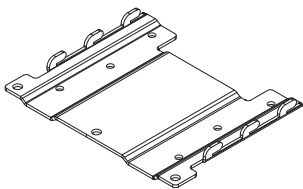
200PDB -
Installation Dimensions
15"W x 17 3/8"D x 1 3/4" H

Pencil Drawer		
200PDB	Pencil Drawer - Compact (13"w x 17-3/8"d x 1-3/4"h)	\$79
200PDB-10	Pencil Drawer - Compact (13"w x 17-3/8"d x 1-3/4"h) 10-Pack Special Fixed Dealer Price	Call



300PTB -
Installation Dimensions
8.5" W x 14" D x 1-1/4" H

Pencil Drawer		
300PTB	Swivel Pencil Drawer - Compact (8.5" w x 14" l x 1-1/4" h)	\$51



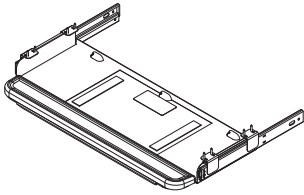
Accessories		
HSAP	Hook and Slot Adapter Plate	\$23
200SP	Swivel Plate	\$85
2000EM	Swivel Mouse Platform with Fence Clip (Teardrop Phenolic)	\$90
103MBMT	Myriad Mouse Blanket (per pair)	\$11
MMT/B/G/P	Myriad Mouse Tray	\$90
EMF	Fence Clip for Myriad Junior Swivel Mouse	\$16
103MPSMT	Mouse Palm Support - Standard (for Myriad Mouse Tray)	\$26
VRTBKT	2 adaptor plates and hardware for the 17" and 19" tracks	\$11
NCBKT	3 adaptor plates and hardware for the 21" + tracks	\$17

Keyboard Drawers

2450CKM -

Compact Keyboard & Mouse Drawer

- Universal all-metal, under desk drawer for the keyboard and mouse.
- Includes palm support.
- Ideal for limited space workstations.
- Lowers keyboard approximately 2-1/2".
- 24-1/2" W x 11-1/2" D.
- Install Dimensions: 25-1/2" W x 17-1/2" D



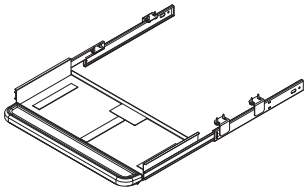
321SDRG

Keyboard Drawer for Microsoft® Natural and Natural Elite Palm Support

- Optional 2000EM swivel mouse
- Lowers keyboard approximately 2-3/4"
- 21" W x 11-1/4" D
- Install Dimensions: 22" W x 16-7/8" D

320SD - Keyboard Tray

- All metal underdesk drawer for keyboard only.
- Palm support included.
- Ball bearing slides lock in open and closed positions.
- Optional 2000EM swivel mouse.
- Lowers keyboard approximately 2-1/2"
- 20" W x 11-1/4" D
- Install Dimensions: 21" W x 16-7/8" D



Model #	Description	List Price
Keyboard Drawer		
2450CKM	2450 Compact Keyboard & Mouse Drawer	\$210

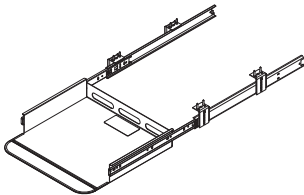
Keyboard Drawer		
320SD	Under Desk Drawer for standard keyboard only	\$149
321SDRG	Under Desk Drawer - with 101RGKPS	\$215

415ND - Notebook Drawer

- All-metal under desk drawer for notebook/laptop
- Ball bearing slides lock in open and closed positions
- Lowers notebook/laptop approximately 4-1/2"
- Installation: 15½" W x 22¼" D

415NSD - NotebookSafe™ Drawer

- Helps reduce theft of notebook computers
- May be keyed alike
- Ball bearing slides lock in open and closed positions
- Accommodates laptops: 1-1/8" to 2-5/8" H x 14" W x 12-3/4" D
- Install Dimensions: 15-1/2" W x 22-1/4" D x 5-5/8"H



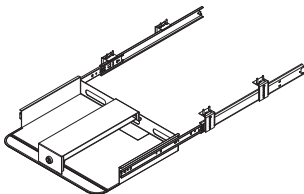
Keyboard Drawer		
415ND	Under Desk Drawer for the notebook/laptop 14"w x 14.25d"	\$182
415NSD	Under Desk Locking Drawer for the notebook/laptop 14"w x 14.25"d	\$360

417ND - Notebook Drawer

- 17" W x 14-5/16" D
- Installation: 18½" W x 22¼" D

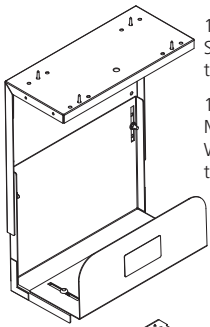
417NSD - NotebookSafe™ Drawer

- Accommodates laptops: 1-1/8" to 2-5/8" H x 17" W x 12-3/4" D
- Install Dimensions: 18-1/2" W x 22-1/4"D x 5-5/8"H



Keyboard Drawer		
417ND	Under Desk Drawer for the notebook/laptop 17"w x 14.25d"	\$205
417NSD	Under Desk Locking Drawer for the notebook/laptop 17"w x 14.25"d	\$394

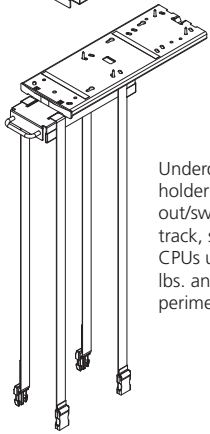
CPU Holders



100CPU
Supports up to 60 lbs.

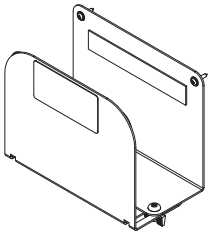
101CPU Side Mount CPU Holder
W: 14", D: 5-1/2" to 9-3/4", H: 15"

Model #	Description	List Price
CPU Holders		
100CPU	Under Desk CPU Holder	\$291
101CPU	Side Mount Under Desk CPU Holder	\$206



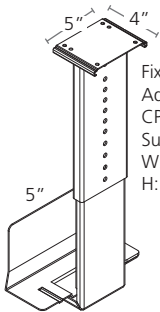
Underdesk CPU holder with slide out/swivel on 16" track, swivels. Fits CPUs up to 60 lbs. and 64" in perimeter.

CPU Holders		
200CPU	Economy CPU Holder	\$152



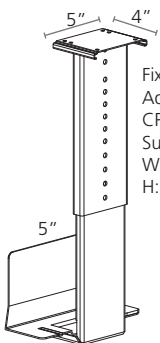
Mini Side Mount CPU Holder
Supports up to 25 lbs.
W: 3-3/16" to 5-3/8", D: 8", H: 7"

CPU Holders		
201CPU	Mini Side Mount CPU Holder	\$112

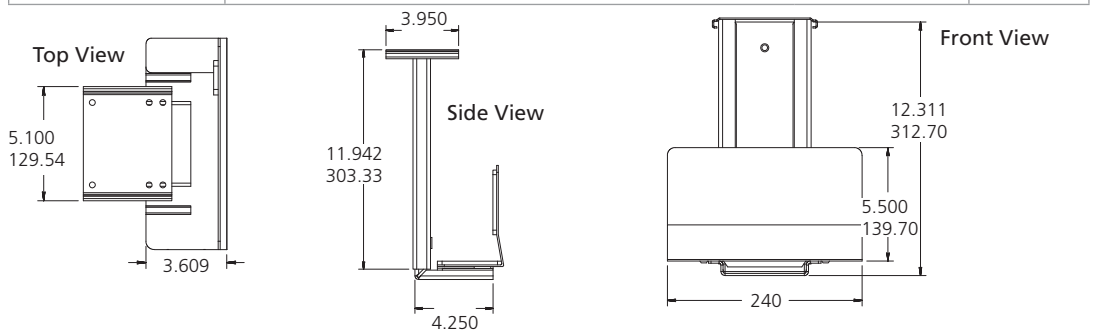


Fixed Under Desk Adjustable Steel CPU Holder
Supports up to 40 lbs.
W: 3-1/8" to 5-1/4"
H: 9" to 18-3/4"

CPU Holders		
202CPU	Fixed Under Desk Adjustable Height and Width CPU Holder 3.125"-5.25"w	\$133



Fixed Under Desk Adjustable Steel CPU Holder
Supports up to 40 lbs.
W: 5" to 8"
H: 9" to 18-3/4"



CPU Holders		
203CPU	Fixed Under Desk Adjustable Height and Width CPU Holder 5.25"-8"w	\$133

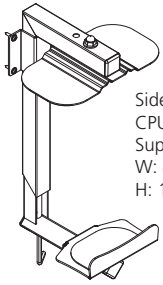


CPU Holders



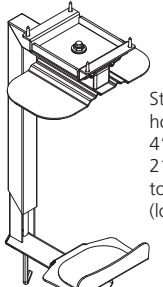
Steel, underdesk CPU holder. Adjusts for CPUs 4"-9 1/2" W x 11 1/2" - 21" H and supports up to 75-100 lbs. Slide out/swivel on 16" track. Security ready (lock not included).

Model #	Description	List Price
300CPU	Under Desk CPU Holder (security ready)	\$242



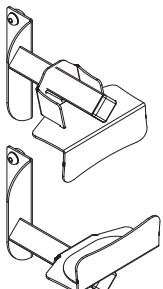
Side Mount Adjustable CPU Holder Supports up to 75-100 lbs. W: 4" to 9-1/2" H: 11-1/2" to 21"

CPU Holders		
301CPU	Side Mount CPU Holder (security ready)	\$204



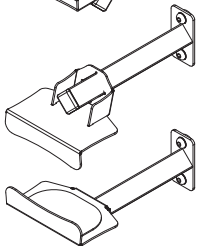
Steel, underdesk CPU holder. Adjusts for CPUs 4"-9 1/2" W x 11 1/2" - 21" H and supports up to 75 lbs. Security ready (lock not included).

CPU Holders		
302CPU	Fixed under desk swivel mount without slide out track (security ready)	\$242



Adjustable CPU Holder Supports up to 60 lbs. W: 4" to 8-1/2" H: 4-1/2" to 16-1/2"

CPU Holders		
310CPU	CPU Holder for Elegante XT, Eficiente LT, Levante, Vuelta Tables	\$298



GasLift & VerSIT CPU Holder Supports up to 60 lbs. W: 4" to 9-1/2" H: 12" to 19"

CPU Holders		
311CPU	CPU Holder for VerSIT and Gas Lift	\$298

Cannot be ordered with 52294 Power Cord or 712SB Storage Bin



Steel with casters. Holds CPUs 3 1/2" to 8 1/4" W. Supports up to 75 lbs.

CPU Holders		
312CPU	Side Mount Adjustable CPU Holder for Elegante XT, Eficiente LT, Levante, Vuelta base	\$152

Supports up to 75-100 lbs., W: 5-1/2" to 10", H: 6" to 24", D: 0" to 24"

CPU Holders		
400CPU	Transport CPU Holder	\$177

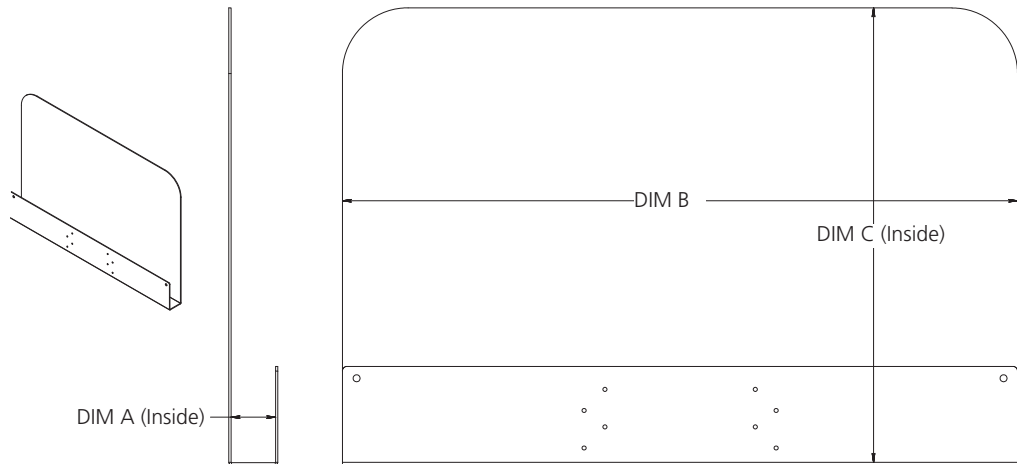


FREE FREIGHT_{on all}
ergonomics

Specialty Items and Options



Model #	Description	List Price
Create-a-Corner		
112CAC/1.00	12"w x 6"d x 1"h	\$55
112CAC/1.125	12"w x 6"d x 1 1/8"h	\$55
112CAC/1.25	12"w x 6"d x 1 1/4"h	\$55
112CAC/1.50	12"w x 6"d x 1 1/2"h	\$55
118CAC/1.00	18"w x 12"d x 1"h	\$108
118CAC/1.125	18"w x 12"d x 1 1/8"h	\$108
118CAC/1.25	18"w x 12"d x 1 1/4"h	\$108
118CAC/1.50	18"w x 12"d x 1 1/2"h	\$108



Create-a-Corner Selection Guide					
Model	DIM A	Top Thickness	DIM B	DIM C	Steel
112CAC/1.00	1-1/16"	1"	12"	6-3/8"	18 Gauge
112CAC/1.125	1-3/16"	1-1/8"	12"	6-1/4"	18 Gauge
112CAC/1.25	1-5/16"	1-1/4"	12"	6-1/4"	18 Gauge
112CAC/1.50	1-9/16"	1-1/2"	12"	6-1/4"	18 Gauge
118CAC/1.00	1-1/16"	1"	18"	12-1/16"	16 Gauge
118CAC/1.125	1-3/16"	1-1/8"	18"	12-1/8"	16 Gauge
118CAC/1.25	1-5/16"	1-1/8"	18"	12"	16 Gauge
118CAC/1.5	1-9/16"	1-1/2"	18"	12"	16 Gauge

FlipIt Sit to Stand Station - in Cherry and Hardrock Maple		
FSS203612	FlipIt Sit to Stand Station - 12"H x 20"D x 36"W, 30 lbs.	\$263
FSS203615	FlipIt Sit to Stand Station - 15"H x 20"D x 36"W, 33 lbs.	\$284

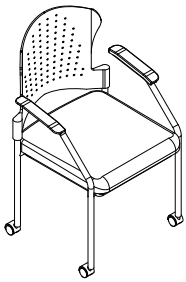
- Quickly adjust from sitting to standing with a flip
- Turns into a shelf when not used for standing
- High quality and portable
- Available in Cherry or Hardrock Maple
- Quick and easy assembly
- Free freight and Made in the USA
- Small Size: 12"H x 20"D x 36"W, 30 lbs.
- Large Size: 15"H x 20"D x 36"W, 33 lbs.



100FG	Adjustable Footrest	\$93
LF400	Laptop Platform, includes USB Fan	\$92
301SW	Split Worksurface Mechanism	\$561



Seating



Model #	Description	List Price
Seating/Chairs		
CS2000	Side Chair	\$282

Charlie Seating/Chairs		
FCCTBBKF	Charlie Task Chair, BLACK foam waterfall seat, black mesh, fixed black arms, soft casters	\$352
FCCTBBLF	Charlie Task Chair, BLUE foam waterfall seat, black mesh, fixed black arms, soft casters	\$352
FCCTBGRF	Charlie Task Chair, GREEN foam waterfall seat, black mesh, fixed black arms, soft casters	\$352

- Breathable Mesh Black Backrest, Molded Foam Black Waterfall Seat and Fixed Black Arms, Soft Casters
- Adjustable lumbar support
- Overall Dimensions: 23" x 21.5" x 42" (W x D x H)
- Seat: 19.75" x 20.75" (W x D)
- Back: 18.25" x 23.5" (W x H)
- Seat Height: 3.25"
- Weight: 26.5 lbs
- Weight Rate: 250 lbs.

Alpha Seating/Chairs		
FCASBBB	Alpha Side Chair, black mesh with lumbar support, minimum order of two chairs	\$325
FCATBBA	Alpha Mesh Back Stool, foot ring, black mesh with black back & arms, waterfall seat, lumbar support, soft casters	\$499
FCATBBB	Alpha Task Chair, black mesh, black back & arms, waterfall seat, lumbar support, soft casters	\$427
FCATWBG	Alpha Task Chair, gray mesh, white back & arms, waterfall seat, lumbar support, soft casters	\$468

FCASBBB Side Chair

- Includes: breathable black mesh black backrest, molded foam, black waterfall seat, black frame and fixed black arms
- Adjustable lumbar support
- Overall Dimensions: 25" x 24.2" x 39.8" (W x D x H)
- Seat: 20.9" x 17.2" (W x D)
- Back: 19.7" x 20.5" (W x H)
- Seat Height: 19.5"
- Weight: 26.5 lbs
- Minimum order of two (2) chairs

FCATBBB Black Tack Chair & FCATWBG White Task Chair

- Tilt Tension Control: Recline rate adapts to weight of user
- Tilt Lock: Locks out tilt function
- Back Angle Adjustment: Four positions
- Synchro-Tilt: Back reclines in a preset ratio to seat
- Seat Height Adjustment: Seat height sets to desired position relative to floor
- Arm Height Adjustment: Arm adjusts up or down for proper ergonomic positioning while seated
- Adjustable lumbar support
- Includes: Breathable black or gray mesh backrest, black or white back, black or white arms, molded foam, black waterfall seat, soft casters
- Overall Dimensions: 25" x 24.2" x 40.5"– 45" (W x D x H)
- Seat: 20.9" x 17.2" (W x D)
- Back: 19.7" x 20.5" (W x H)
- Seat Height: 18.6" (lowest point)
23.4" (highest point)
- Weight: 37.5 lbs



One week lead time

Ergonomic Floor Mats		
MAT DELUXE	Deluxe Ergonomic Floor Mat 18" x 30", Black	\$198
MAT PREMIUM	Premium Ergonomic Floor Mat 20" x 32", Black	\$265



VerSIT™ - Mobile Desk with Soft Casters

VerSIT™ provides a comfortable point-of-care mobile workstation ideal for extended shifts that are typical for many healthcare workers.

VerSIT™, height adjustable mobile workstation with unique built-in compact seating, allows multiple users the ability to choose an adjustable worksurface height for standing or sitting as time permits.

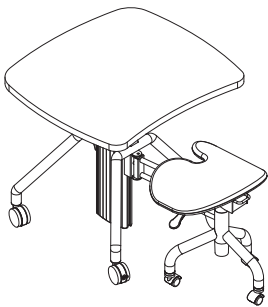
VerSIT™ empowers on-the-move healthcare workers with convenient access to shared resources resulting in increased availability, shortened response times, and improved productivity.

VerSIT™ Specifications:

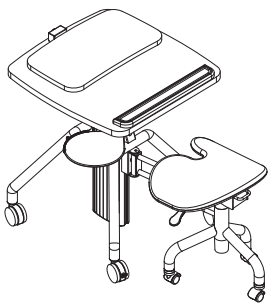
- Gas-spring height adjustable worksurface • 25 lbs. worksurface lift capacity
- Worksurface home position adjusts from 26" - 30", and provides 17" vertical travel
- Pneumatic height adjustable saddle seat with 250 lbs. seat capacity
- Comfortable, built-in saddle seat with whisper-quiet self-locking casters that easily adjust to unique users and tasks
- Seat retracts to home position allowing for easy room-to-room and floor-to-floor transport of single self-contained unit
- Height adjustable seat offers the flexibility to create a supportive atmosphere with patients via positive eye contact; travels from 19" to 26"
- Available in multiple sizes and colors; custom worksurfaces available to coordinate with existing design
- Add-on accessories available including; CPU holder, retractable power cord, monitor arm, lockable notebook station, storage bin and more
- Adjustable height between the two-tier worksurface: 1-1/4" to 1-7/8"
- Worksurface: 10 standard thermally-fused options, white thermofoil, high-pressure laminate and custom colors available (see *Finishes page*)

What is thermally fused?
Thermally fused is made by fusing a paper weighing between 60 and 130 g/m2 directly to a substrate. There is no kraft paper used, and the resulting panel is ready for finishing.

What is thermofoil?
Thermofoil is a plastic material which is thermoformed to the profile of an underlying engineered wood core such as medium-density fiberboard. Thermofoil typically has a high-quality sheen and may incorporate metallic elements in its finish.



Model #	Description	List Price
BASES (Black and Silver) with Thermally Fused Laminate Worksurfaces		
VS2730	27" x 30" VerSIT Mobile Desk with Saddle Seat	\$2,126
VS2424_-_1	24" x 24" VerSIT Mini Mobile Desk with Saddle Seat and Single Thermally Fused Worksurface	\$2,126
VS2424	24" x 24" VerSIT Mini Mobile Desk with Saddle Seat & Security Ready Laptop Mount	\$2,352



BASE (Black and Silver), with Thermofoil Worksurface		
VSTF2424_W-1	24" x 24" VerSIT Mini Mobile Desk with Saddle Seat Single (White) Thermofoil Surface	\$2,406
VSTF2424_W	24" x 24" VerSIT Mini Mobile Desk with Saddle Seat (White) Thermofoil with Seat & Security Laptop Mount	\$2,631

VerSIT™ Options		
52294	Power Cord for Gas Lift & VerSIT Tables, Retractable, 20' Total Length White only, cannot be ordered with 311CPU	\$171
712SB	Storage Bin for VerSIT and Gas Lift 4"d x 7"h x 12"w. White or Black, cannot be ordered with 311CPU	\$135

Standard casters and the Omega casters can be used on both hard and soft surfaces.

VerSIT™ Colors Options

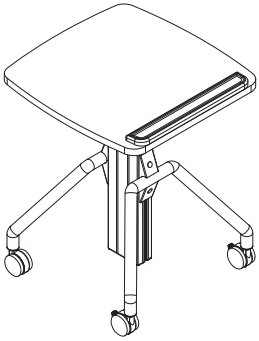


Arriba - Gas Lift Tables

Easily glides to the preferred height, with the squeeze of a lever.

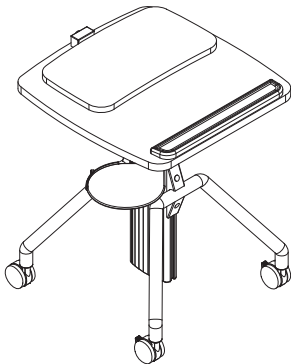
- Height Range: 27" - 44" H.
- Lifting Capacity: up to 35 pounds.
- Available with casters, glides or plate base.
- Silent Glide Ball Bearing Casters available, see options below.
- Available with worksurface or base only.
- Bases available for 24" and 30" deep worksurfaces, up to 36" maximum width.
- Custom sizes available.
- Base Color: black or silver.
- Worksurface: ten standard thermally-fused options, high-pressure laminate and custom colors available.

- Standard casters and the Omega casters can be used on both hard and soft surfaces.



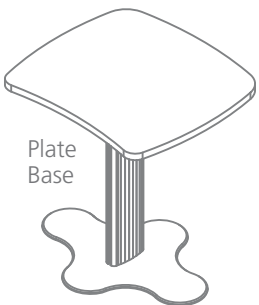
Assembly #	Description	Order Base #	List Price
One Tier Thermofoil Laminate Worksurface Only			
WS5B242424RTF	Thermofoil Worksurface Type 5 1-1/8" Modified Rect-angle Straight Front 24"x24"x24"	NGABC242424	\$570

BASE ONLY with Casters			
NGABC242424	Arriba 24x24x24 Base w/3" Casters		\$1,079



Adjustable height between the two-tier worksurface: 1-1/4" to 1-7/8"

Two Tier Thermally Fused Worksurface Only			
WS5H242424R	Thermally Fused Worksurface Type 5 1-1/8" 2-Tier Mod Rect Straight Front 24"x24"x24" Radius Corners	NGABC242424	\$515
Two Tier Thermofoil Laminate Worksurface Only			
WS5H242424RTF	Thermofoil Worksurface Type 5 1-1/8" 2-Tier Mod Rect Straight Front 24"x24"x24" Radius Corners	NGABC242424	\$796



Gas Lift Table Options		
52294	Power Cord for Gas Lift & VerSIT Tables, Retractable, 20' Total Length, White only	\$174
7125B	Storage Bin for VerSIT and Gas Lift 4" d x 7" h x 12" w. White or Black	\$138
PB24NHGB	Plate Base Only 22" x 30" - black only	\$1,423
PB30NHGB	Plate Base Only 30" x 30" - black only	\$1,801

Also Available



Thermofoil
Glacier White (W)

Hover WM - Monitor Arm Systems

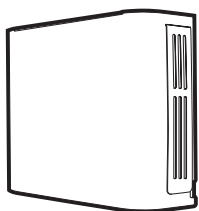
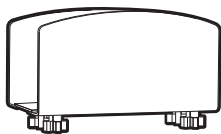
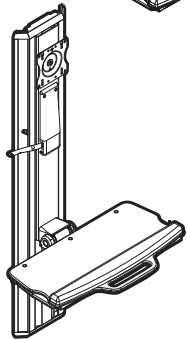
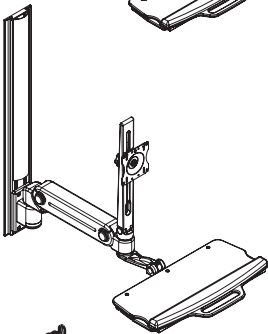
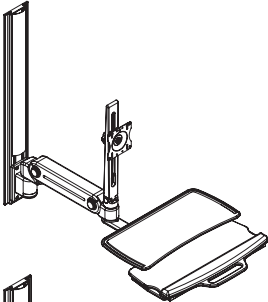
Hover WM Series - Standard and Workstation Platform

- Keyboard Dimensions: Keyboard itself is 19" x 9 3/8" (11" at the handle)
- Platform Dimensions: 9" x 9"
- LCD Height Adjustment - 9.5"
- Standard Combo Arm Max Weight - 4-20 pounds
- Workstation Platform Combo Arm Max Weight - 4-16 pounds
- Combo Arm Reach - 4" - 37"
- LCD Rotation - 360 degrees
- Counter Balanced Height Range - 270 degrees
- LCD Tilt Range - 38 degrees
- Mounting Standard - VESA 75mm / 100mm

Hover WM Series - Slim

- LCD Height Adjustment - 11.35"
- Maximum Load Capacity - 20 pounds
- LCD Rotation - 90 degrees
- LCD Pivot - 0 degrees
- LCD Tilt Range - 0 degrees
- Mounting Standard - VESA 75mm / 100mm

Two week lead time



Model #	Description	List Price
Workstation Platform		
HWM48	Hover WM 48" Workstation Platform	\$2,568
HWM32	Hover WM 32" Workstation Platform	\$2,406

Standard		
HWM48S	Hover WM 48" Standard	\$2,134
HWM32S	Hover WM 32" Standard	\$1,980

Slim Workstation		
HWMSW	Hover WM Slim Workstation	\$1,660

Options available on Workstation Platform and Standard

Track Cradle		
HWMCPUUTC	Ultra Thin Track CPU Cradle - Width Adjustment 1.25" - 4"	\$197
HWMCPUSC	Standard Track Mount CPU Cradle - Width Adjustment 4.5" - 8"	\$359

Enclosed CPU Track Mount		
HWMCPUE	Enclosed CPU Track Mount - Width Adjustment 4.5" - 5.5" (does not lock)	\$489

Extension Arm and Steel Pivot Limiter		
HWMA16	Extension Arm 16"	\$355
HWMSPL	Steel Pivot Limiter	\$91

Hover WM - Monitor Arm Systems

Hover WM Series - Wall Mount Value System

- The entire system folds back to the wall to save space when not in use
- Optional track has cable management inside the wall channel
- Wall mount system
- Foldable keyboard tray
- Height and tilt adjustment for screen and keyboard
- Torque adjust for tilt and arm height adjustment



Model #	Description	List Price
HWMV	Hover WM Wall Mount Value System	\$1,055
HWMVR34	Rail/Cable Mangement (34)" for use on Value System	\$264

