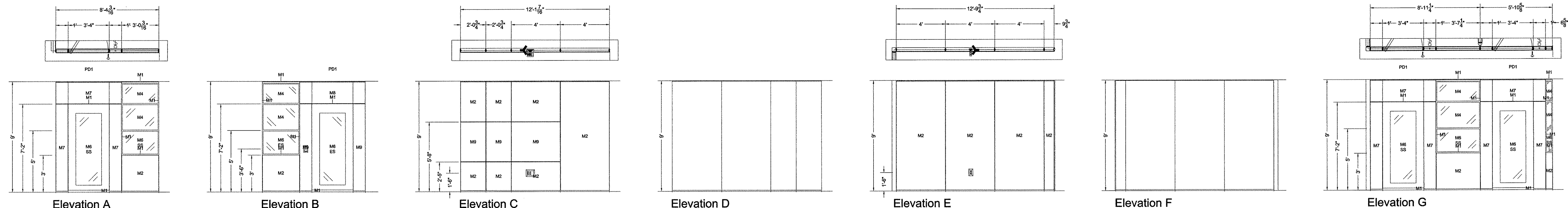


1



Elevation A

Elevation B

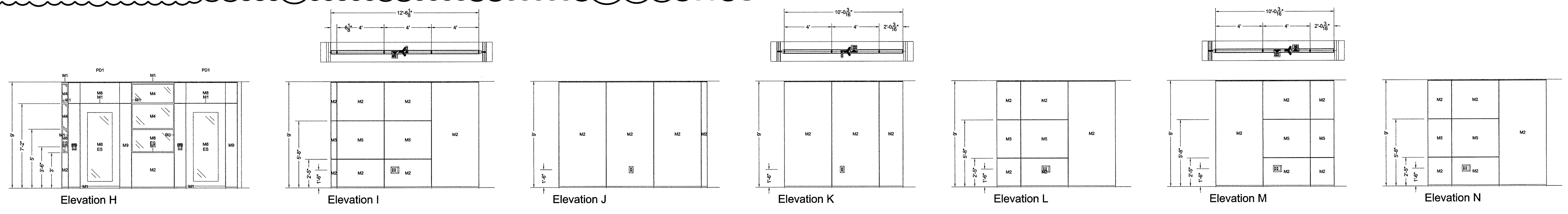
Elevation C

Elevation D

Elevation E

Elevation F

Elevation G



Elevation H

Elevation I

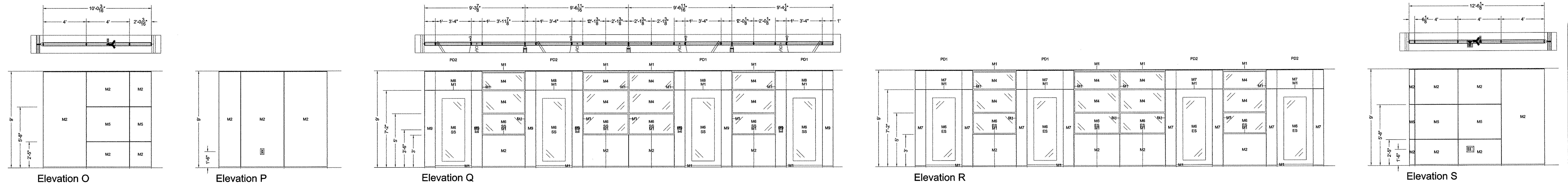
Elevation J

Elevation K

Elevation L

Elevation M

Elevation N



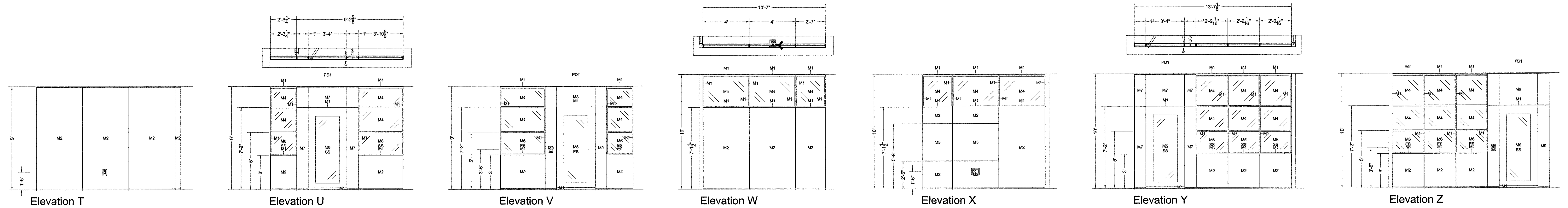
Elevation O

Elevation P

Elevation Q

Elevation R

Elevation S



Elevation T

Elevation U

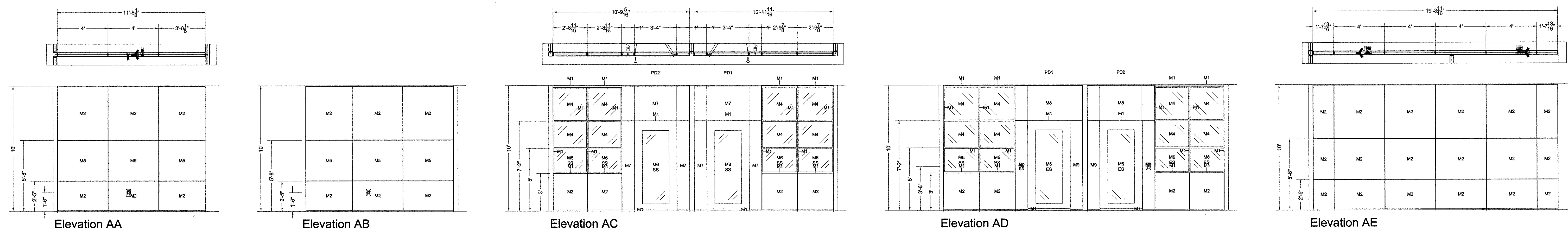
Elevation V

Elevation W

Elevation X

Elevation Y

Elevation Z



Elevation AA

Elevation AB

Elevation AC

Elevation AD

Elevation AE

ELEVATIONS

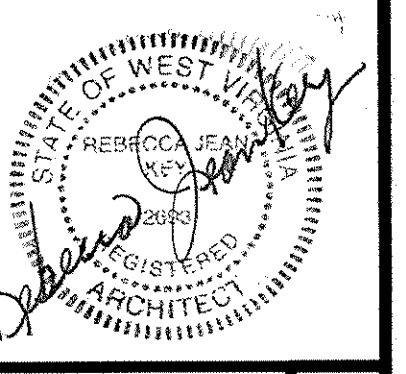
SCALE: 1/4" = 1'

NOTE: ELEVATIONS A THRU AE ON SHEET A614 ELEVATIONS AF THRU AL ON A615.

SEE SHEET A613 FOR PLAN LOCATION OF WALLS.

CLARKSBURG STATE OFFICE BUILDING
FOR
GENERAL SERVICES DIVISION
CHARLESTON, WV

H.F. LENZ COMPANY
1407 Sculp Avenue
Johnstown, PA 15904-3329
Phone: 814-269-9301
FAX: 814-269-9300
www.hflenz.com



REVISIONS

NO.	REVISION	DATE
1	ISSUED FOR BIDDING	11/19/2013

PROJ. NO.: 0810123.05
DATE: NOVEMBER 19, 2013
SHEET NO.: **A615**

Alpha
ARCHITECTS ENGINEERS

ALPHA ASSOCIATES, INC.
209 PRAIRIE AVENUE
MORGANTOWN, WV 26501
PHONE/FAX: 304-296-8214
TOLL FREE: 800-640-8216
www.thinkALPHAfirst.com

**DEMOUNTABLE
PARTITIONS 3RD FLOOR**

ISSUED FOR BIDDING