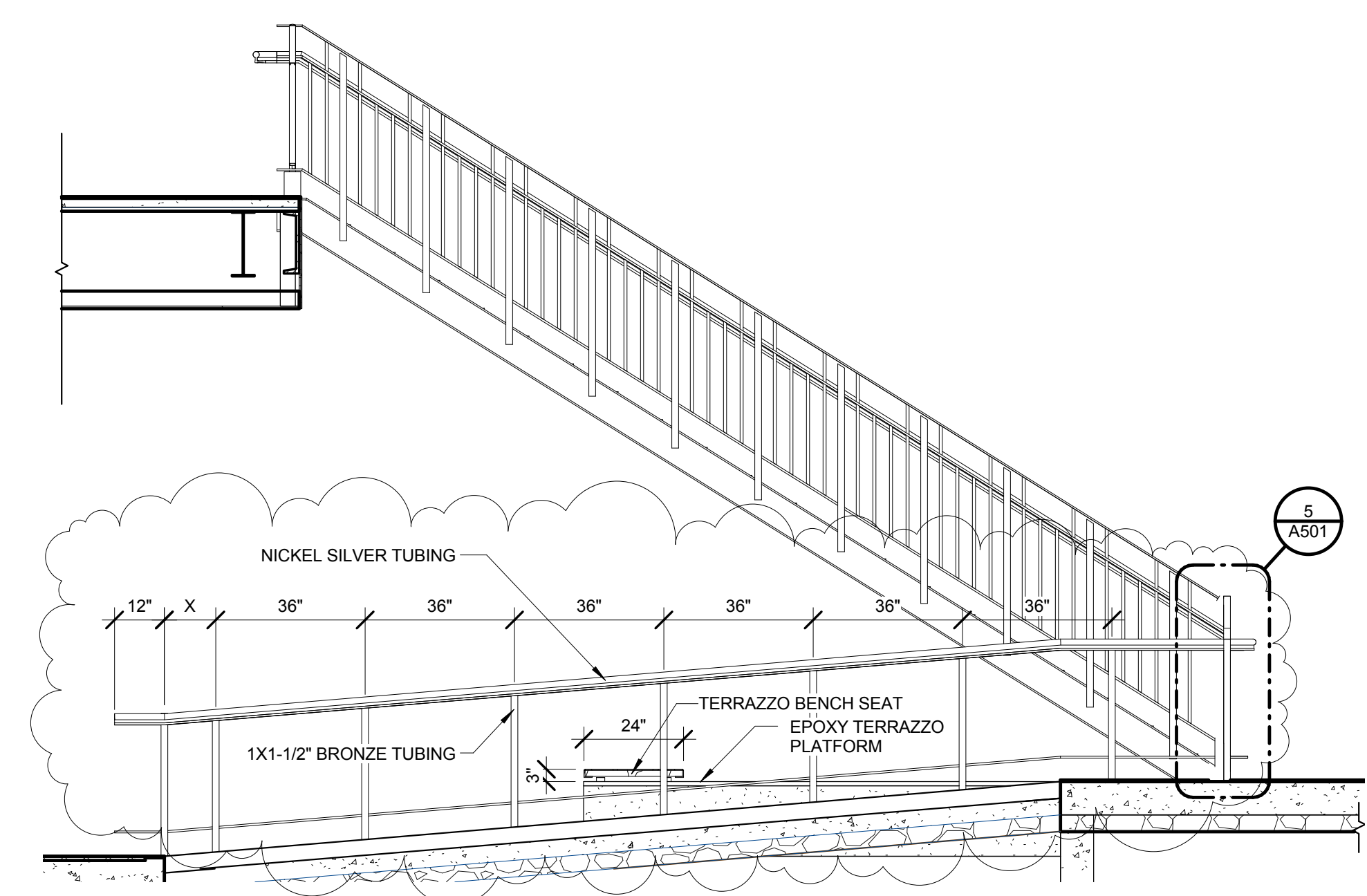
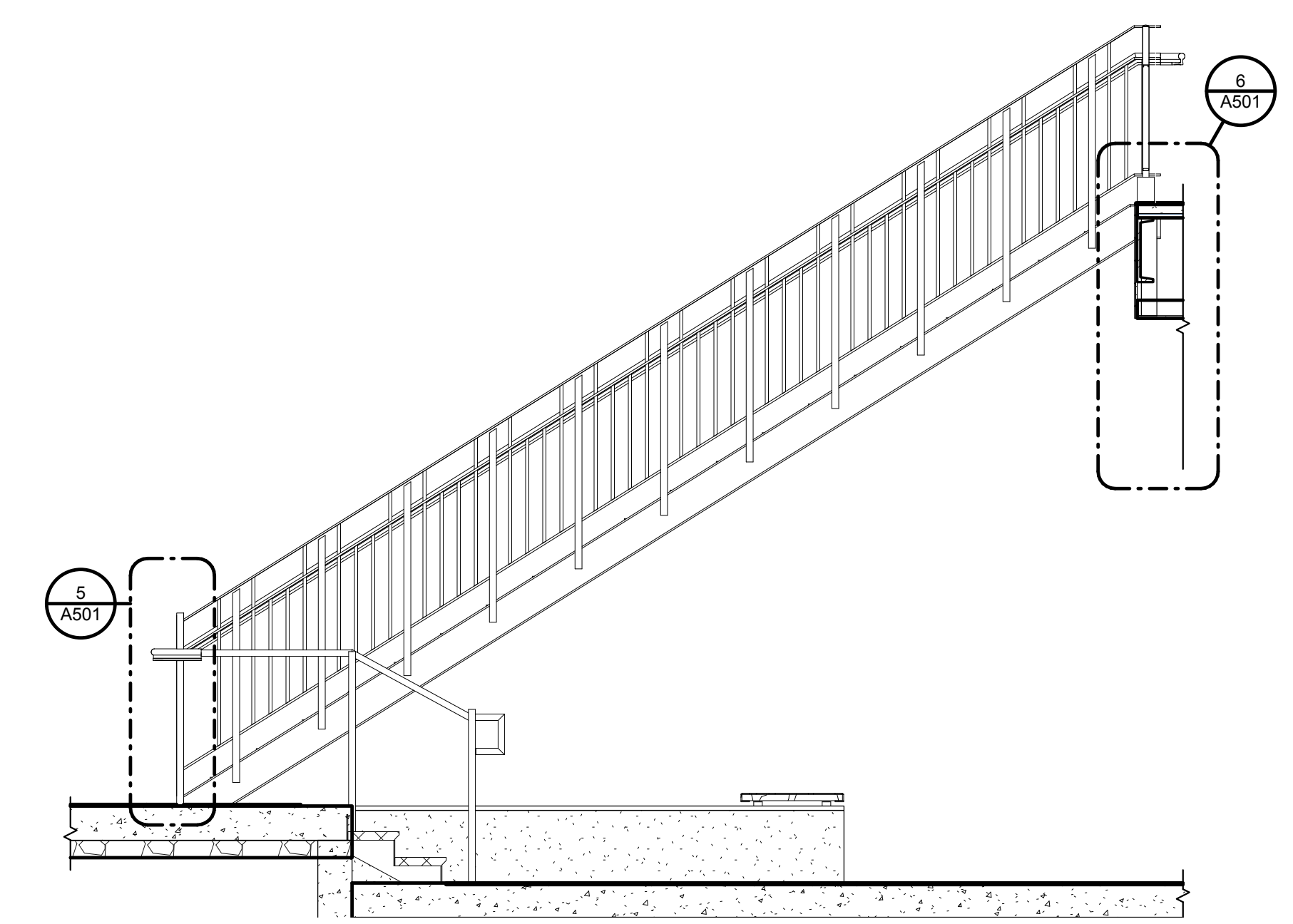


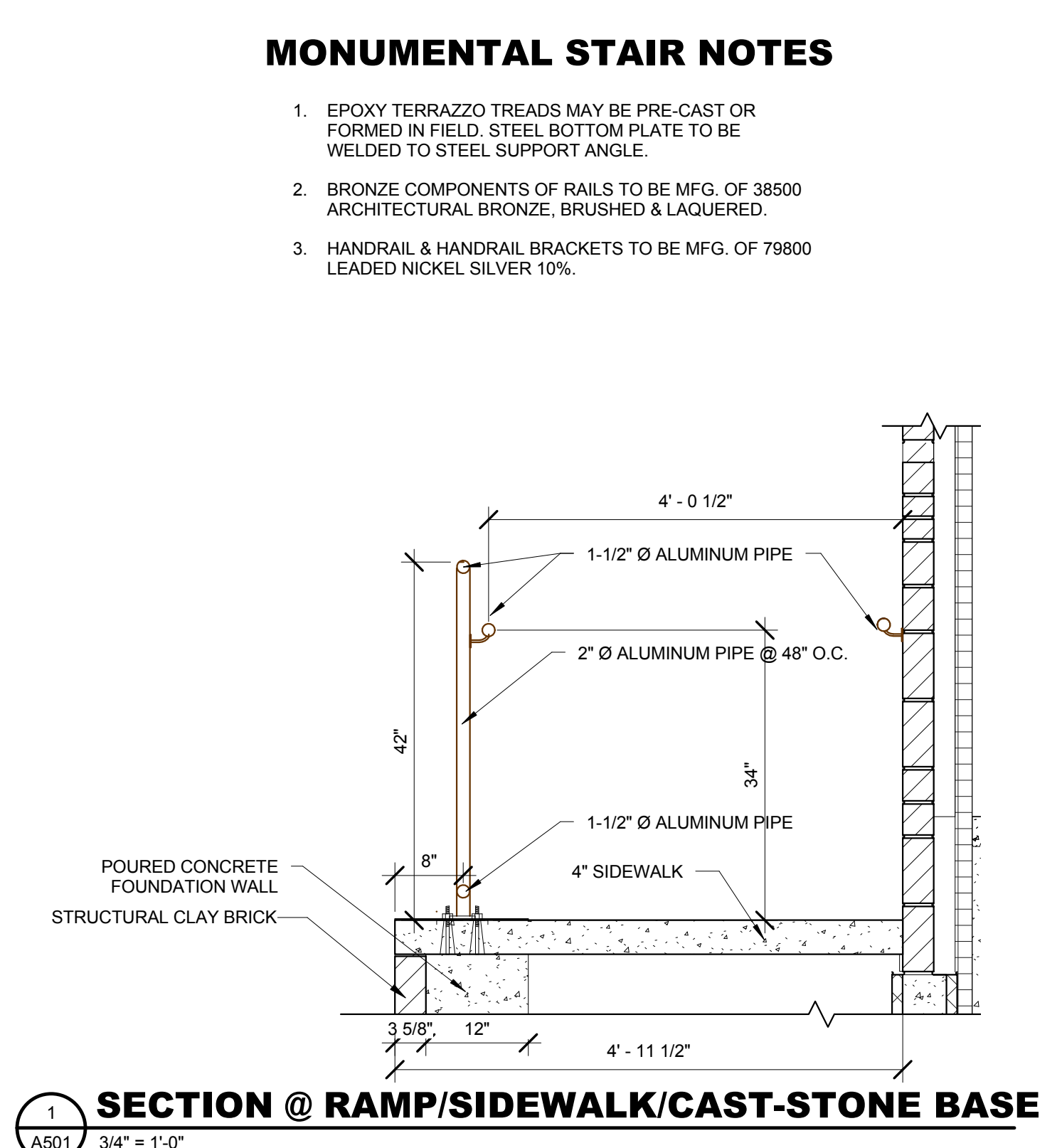
11 SECTION @ MECHANICAL STAIR
A501 3/4" = 1'-0"



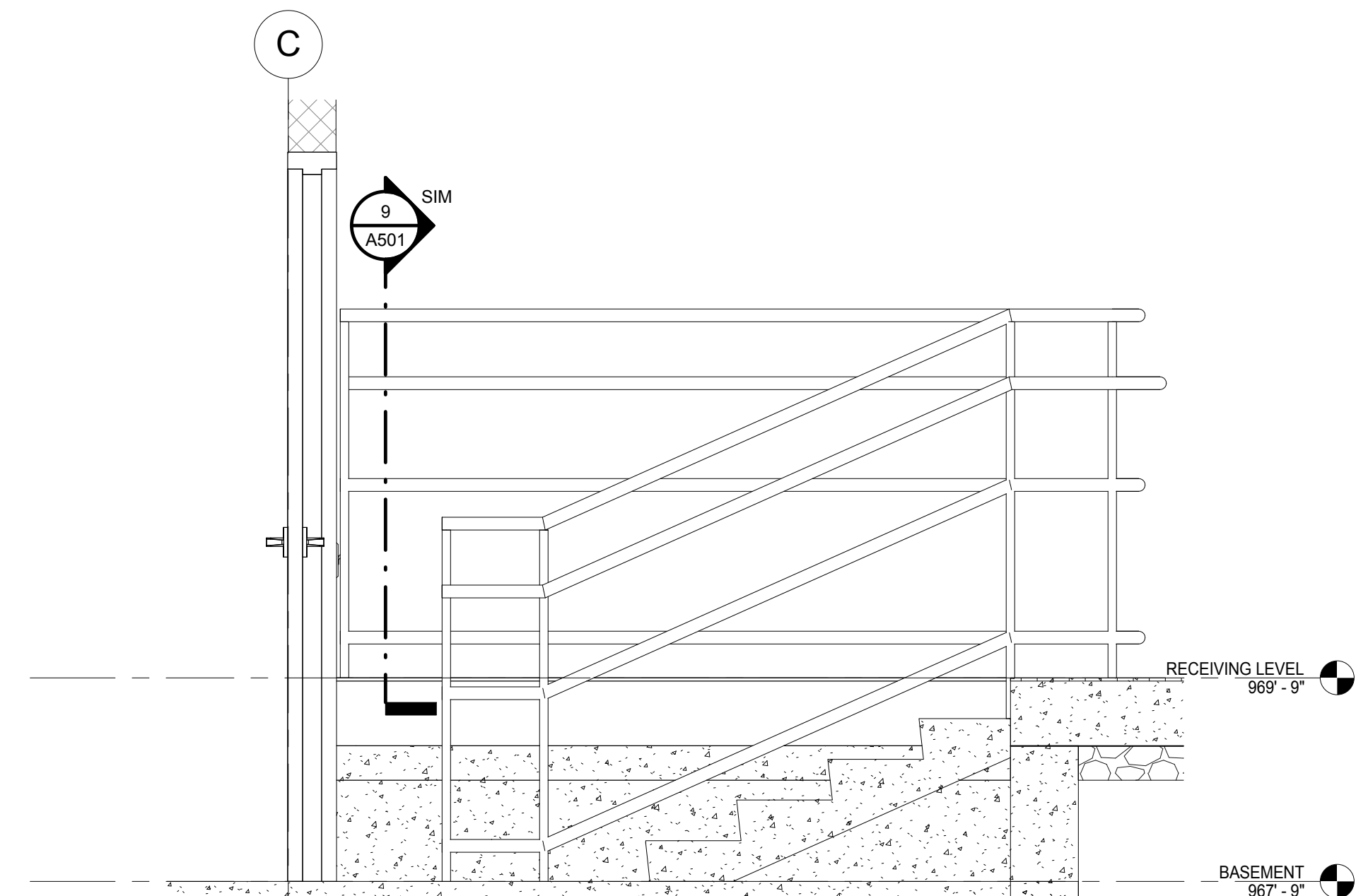
4 GOA EMPLOYEE STAIR NORTH VIEW
A501 3/8" = 1'-0"



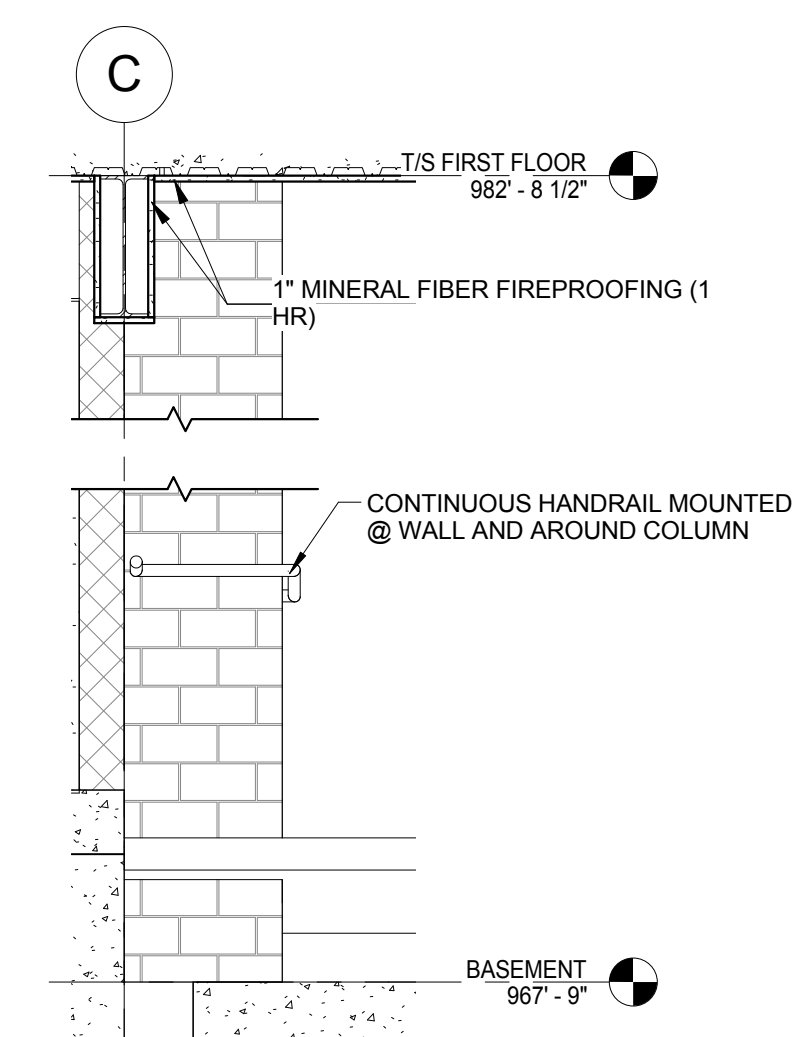
3 GOA EMPLOYEE STAIR SOUTH VIEW
A501 3/8" = 1'-0"



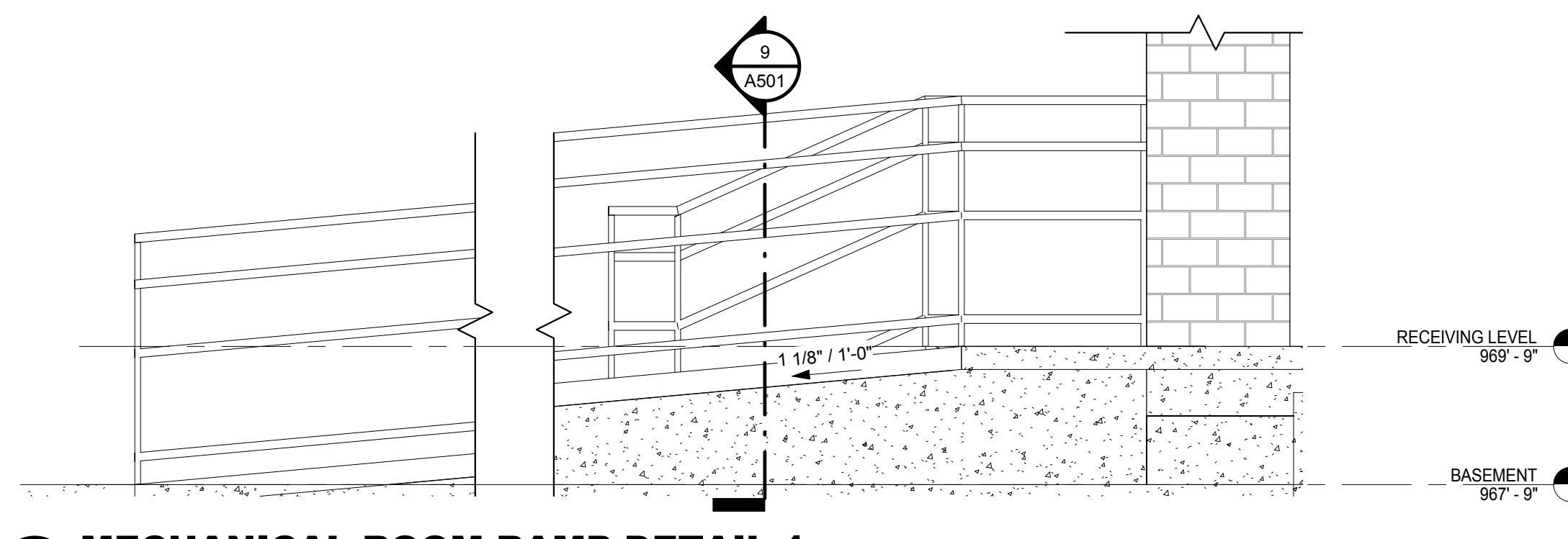
1 SECTION @ RAMP/SIDEWALK/CAST-STONE BASE
A501 3/4" = 1'-0"



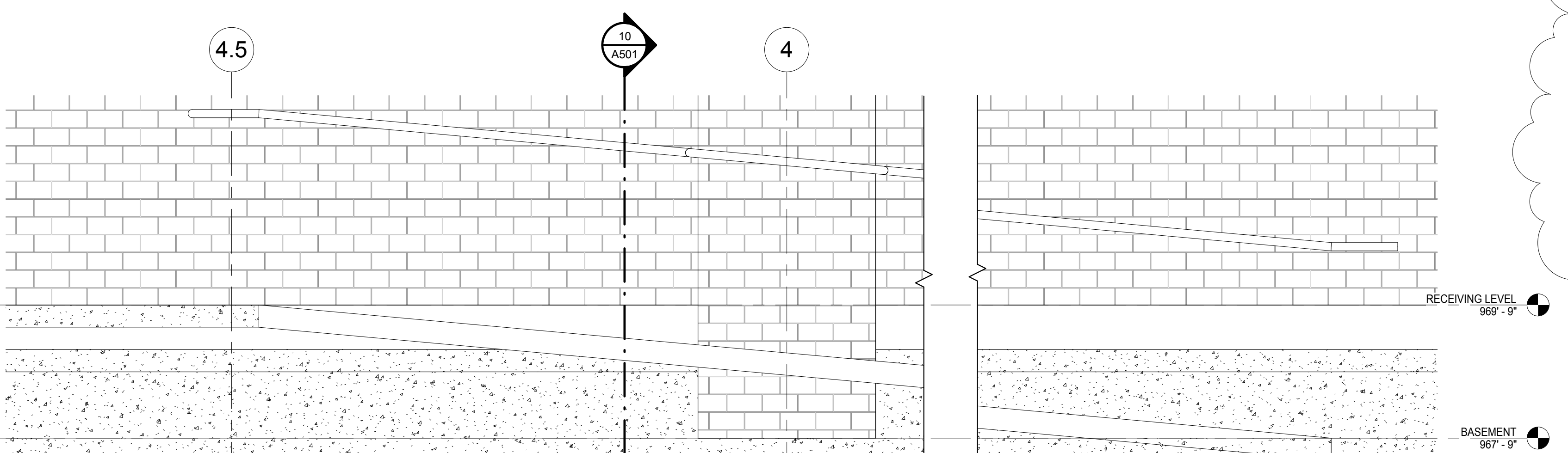
12 ELECTRICAL ROOM STAIR SECTION
A501 3/4" = 1'-0"



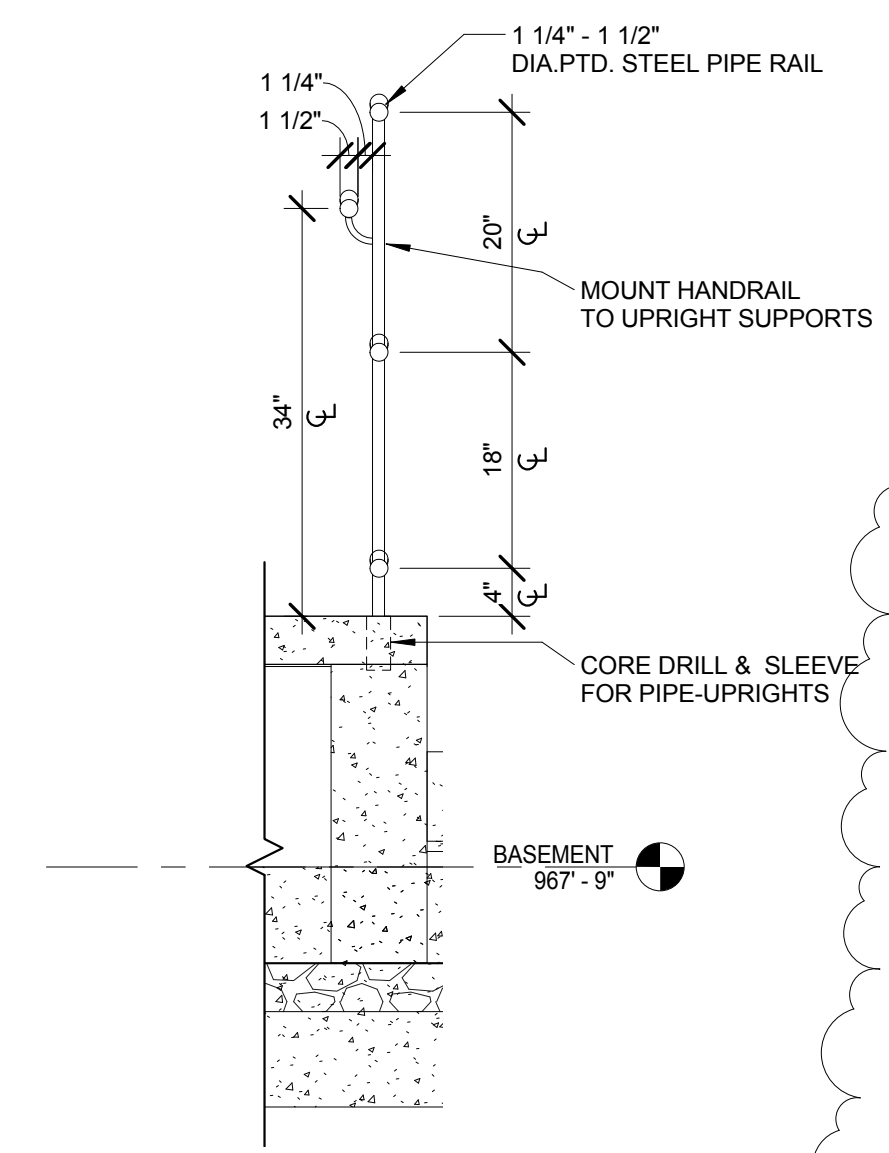
10 SECTION @ RECEIVING & BASEMENT LEVEL
A501 1/2" = 1'-0"



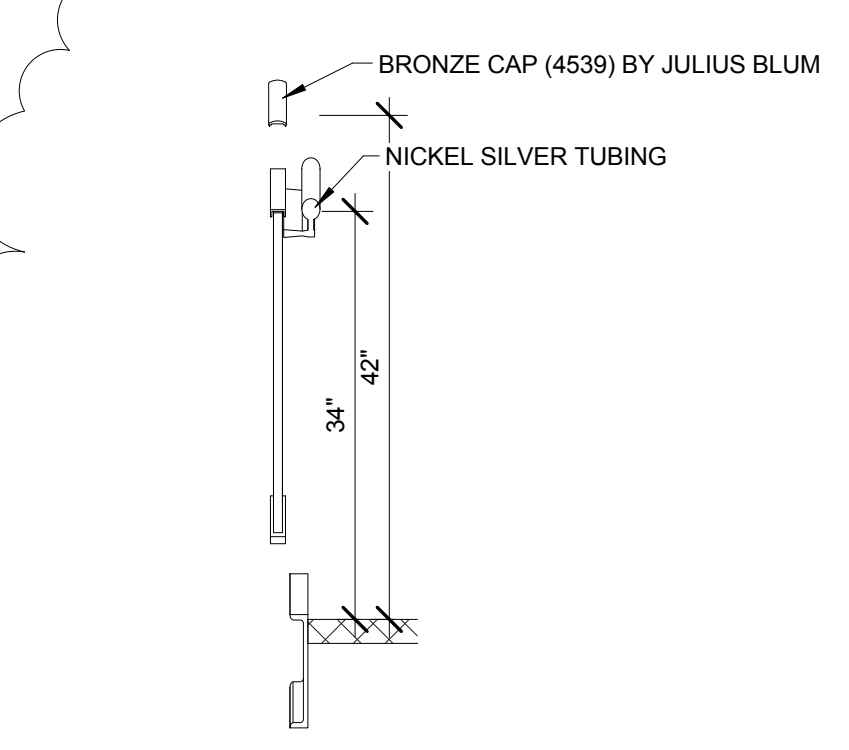
13 MECHANICAL ROOM RAMP DETAIL 1
A501 1/2" = 1'-0"



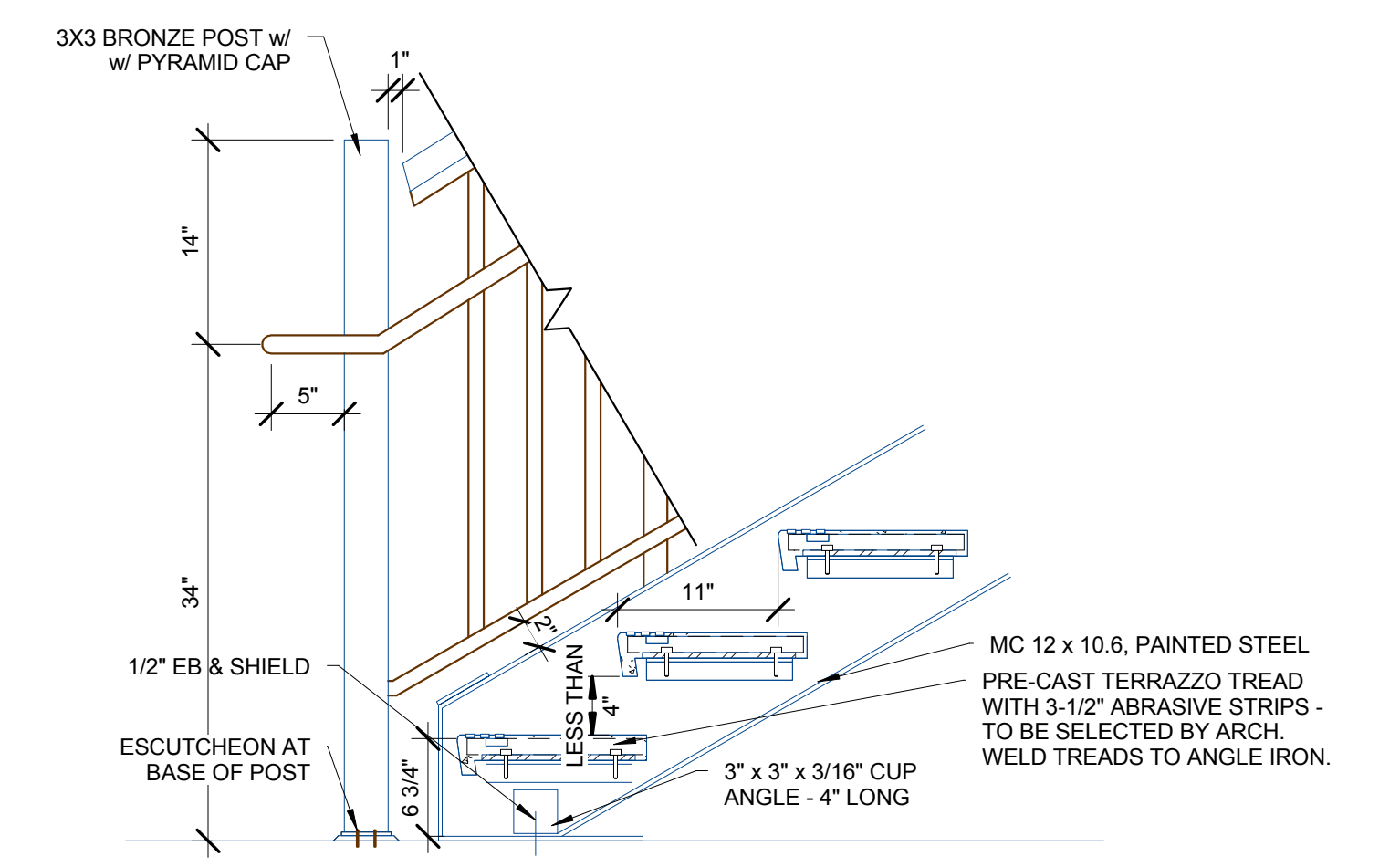
14 MECHANICAL ROOM RAMP DETAIL 2
A501 3/4" = 1'-0"



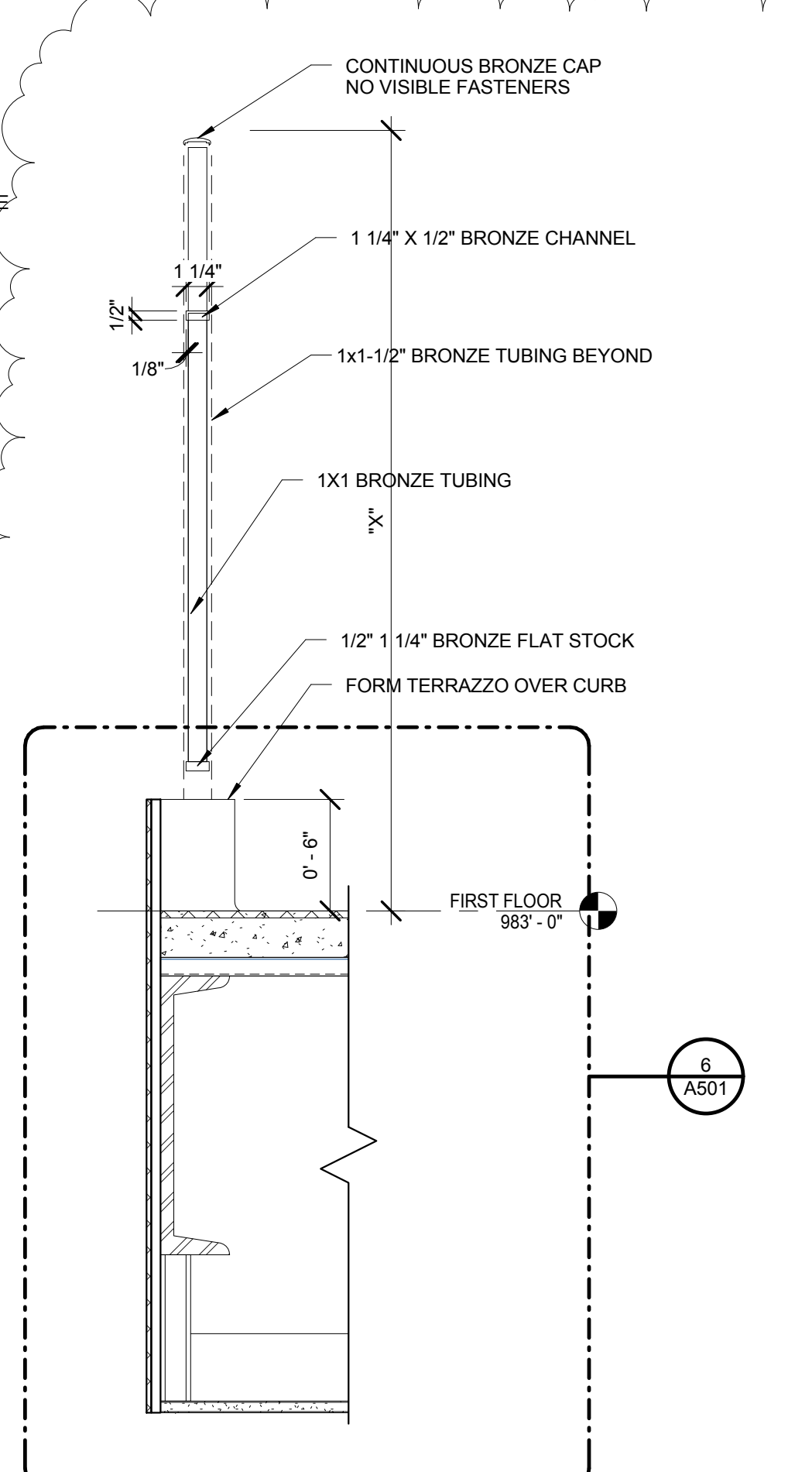
9 TYP INDUSTRIAL RAIL AT RAMPS/STAIRS IN MECH ROOM
A501 3/4" = 1'-0"



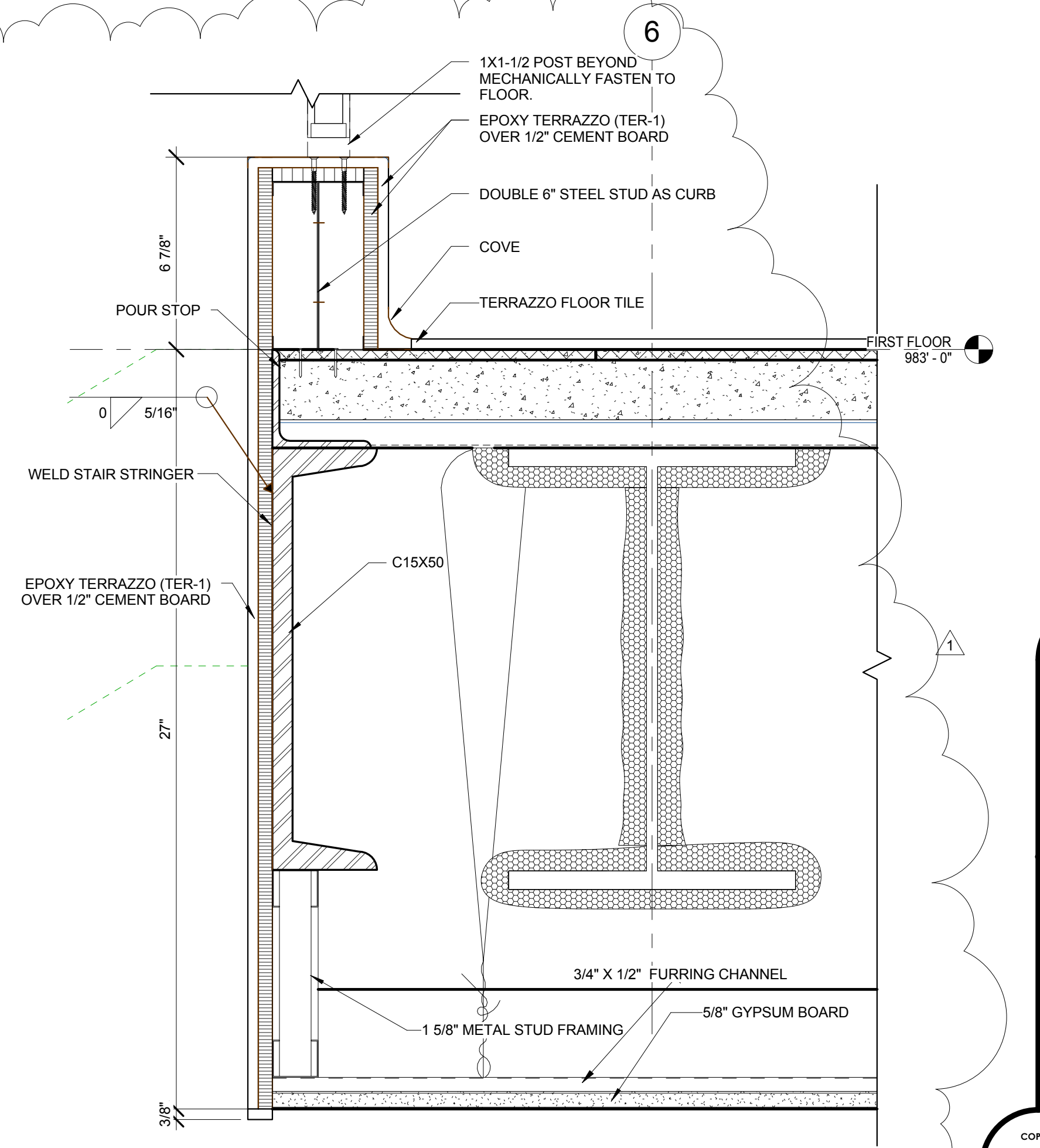
8 MONUMENTAL STAIR RAILING DETAIL
A501 3/4" = 1'-0"



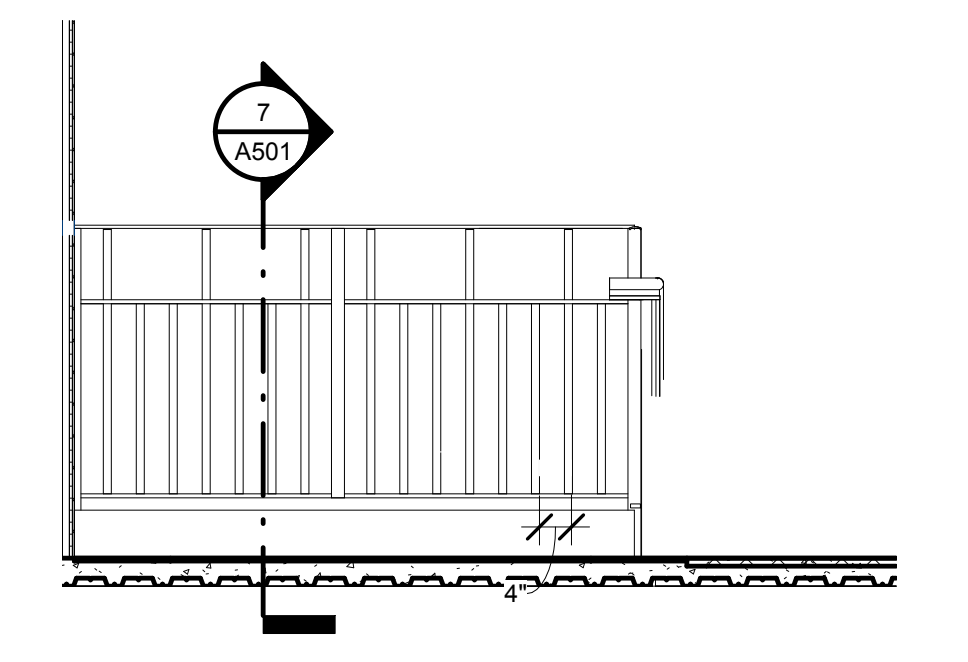
5 GOA EMPLOYEE STAIR BOTTOM LANDING DETAIL
A501 1" = 1'-0"



7 GOA SECTION @ MONUMENTAL RAIL
A501 1 1/2" = 1'-0"



6 DETAIL THRU CURB AT EDGE OF LANDING
A501 3" = 1'-0"



2 GOA EMPLOYEE STAIR RAIL
A501 1/2" = 1'-0"

MONUMENTAL STAIR NOTES

1. EPOXY TERRAZZO TREADS MAY BE PRE-CAST OR FORMED IN-FIELD. STEEL BOTTOM PLATE TO BE WELDED TO STEEL SUPPORT ANGLE.
2. BRONZE COMPONENTS OF RAILS TO BE MFG. OF 38500 ARCHITECTURAL BRONZE, BRUSHED & LAQUERED.
3. HANDRAIL & HANDRAIL BRACKETS TO BE MFG. OF 7800 LEADED NICKEL SILVER 10%.

CLARKSBURG STATE OFFICE BUILDING
FOR
GENERAL SERVICES DIVISION
CHARLESTON, WV

H.F. LENZ COMPANY
1407 Sculp Avenue
Johnstown, PA 15104-3329
Phone: 814-269-9301
FAX: 814-269-9300
www.hflenz.com

STATE OF WEST VIRGINIA
REGISTERED PROFESSIONAL ARCHITECT
[Signature]

REVISIONS			
NO.	REVISION	DATE	

PROJ. NO.: 0810123.05
DATE: NOVEMBER 19, 2013
SHEET NO.: **A501**

Alpha
ARCHITECTS ENGINEERS

ALPHA ASSOCIATES, INC.
209 PRAIRIE AVENUE
MORGANTOWN, WV 26501
PHONE/FAX: 304-294-8216
TOLL FREE: 800-640-8216
www.thinkALPHAfirst.com

STAIR DETAILS

ISSUED FOR BIDDING

C:\Users\cunningham\Documents\CS084_cunningham.rvt