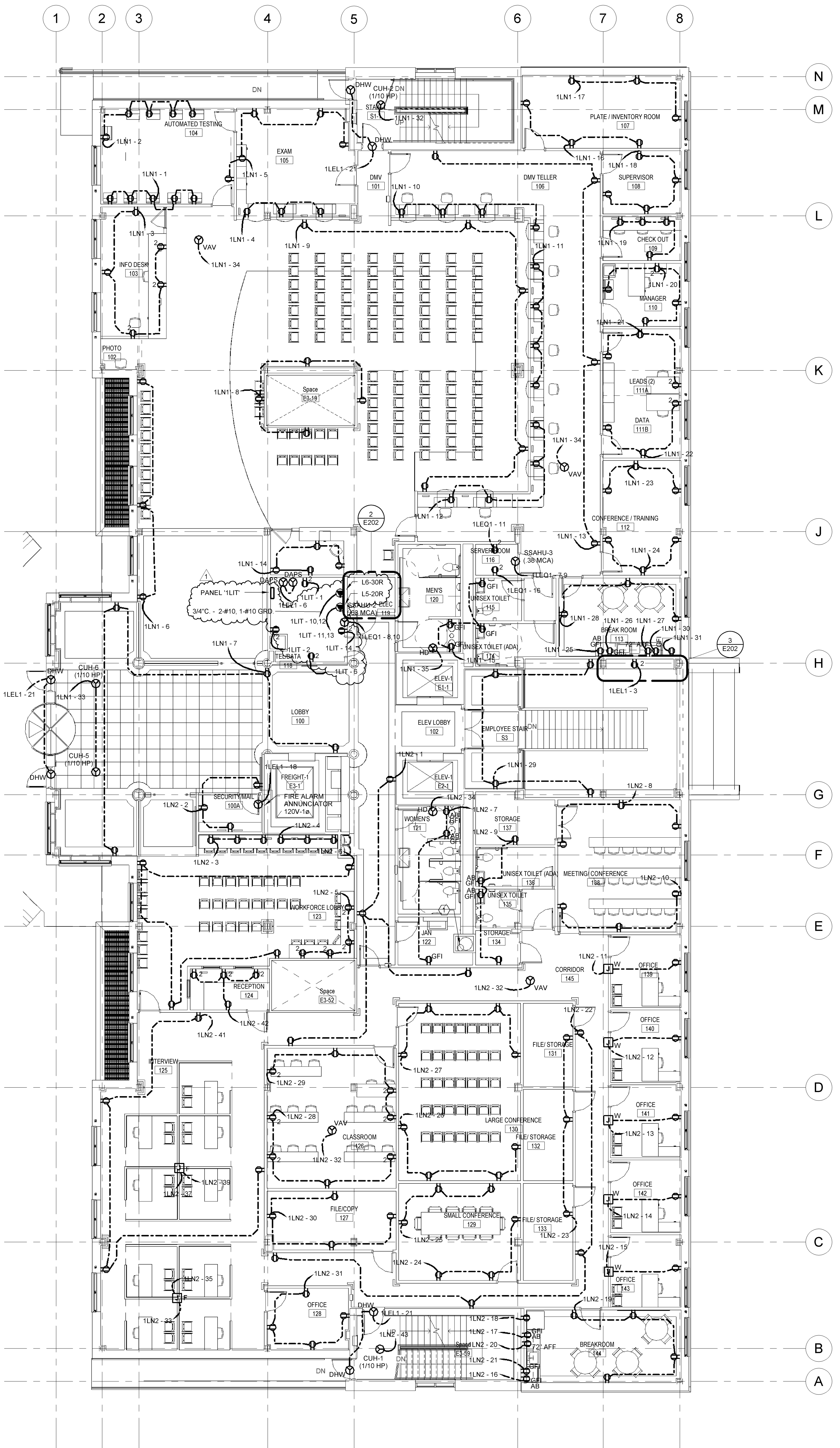


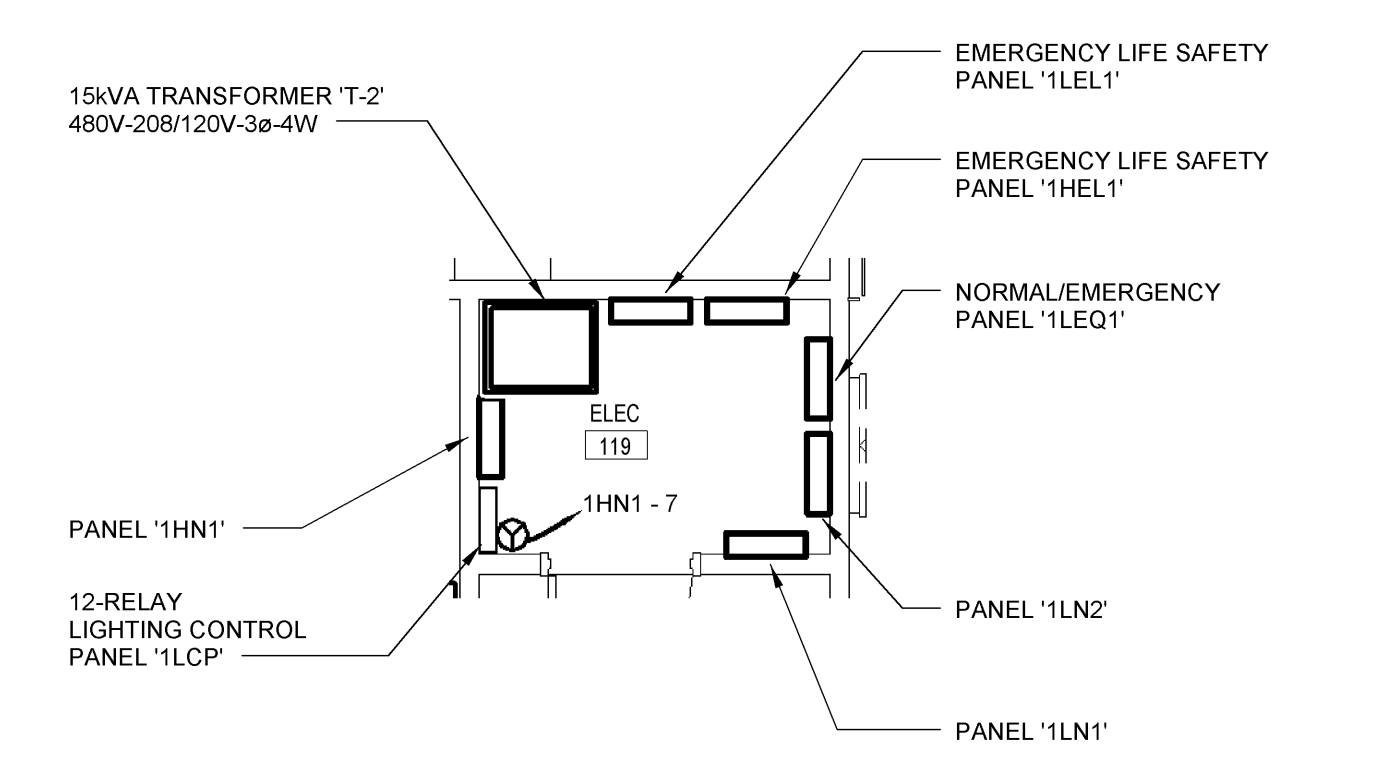
C:\Revit\_User\_Local\MEP-2008-05\Box03-2013\_1essty.rvt



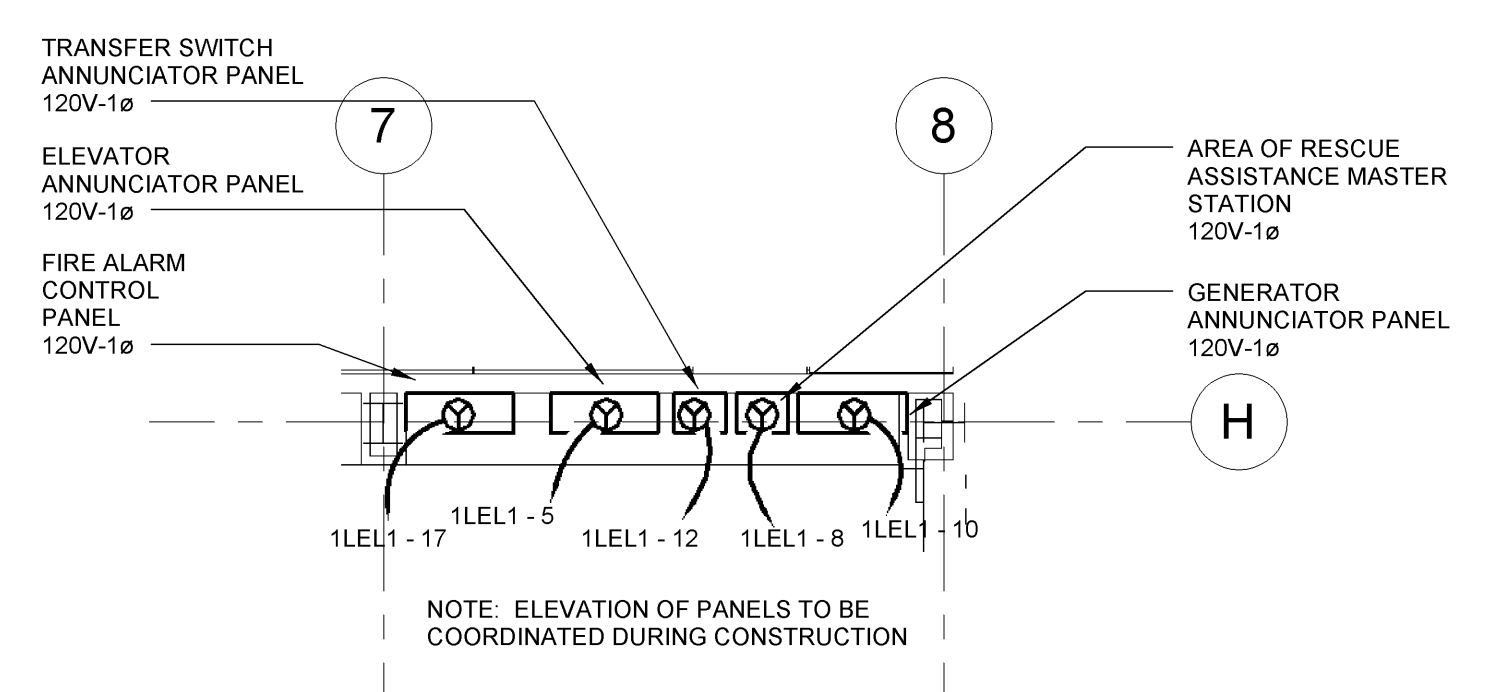
1 ELECTRICAL FIRST FLOOR PLAN - POWER  
SCALE: 1/8" = 1'-0"

6 - ELECTRICAL KEYNOTES

1 1" EMT CONDUIT, WITH NYLON PULCORD, FROM BASEMENT LEVEL TO ROOF FOR TRASH CHUTE INTEGRATED DOOR POWER. PROVIDE DOUBLE GANG OUTLET BOX IN LINE WITH CONDUIT AT EACH INTEGRATED DOOR LOCATION FROM BASEMENT TO ROOF LEVEL.



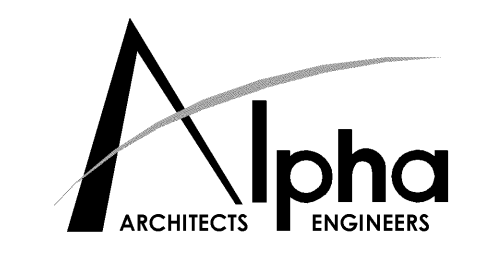
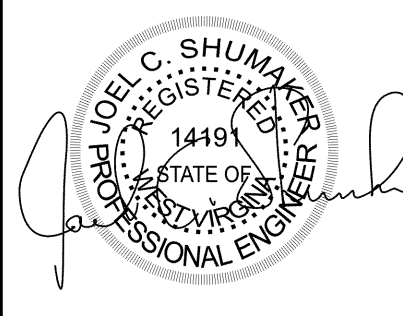
2 ENLARGED ELECTRICAL ROOM FLOOR PLAN  
SCALE: 1/4" = 1'-0"



3 ENLARGED FIRE COMMAND CENTER PLAN  
SCALE: 1/4" = 1'-0"

CLARKSBURG STATE OFFICE BUILDING  
FOR  
GENERAL SERVICES DIVISION  
153 WEST MAIN STREET

H.F. LENZ  
COMPANY  
1407 Scalp Avenue  
Johnstown, PA 15904-3329  
Phone: 814-269-9301  
FAX: 814-269-9300  
www.hflenz.com



ALPHA ASSOCIATES, INC.  
209 PRAIRIE AVENUE  
MORGANTOWN, WV 26501  
PHONE/FAX: 304-276-8216  
TOLL FREE: 800-640-8216  
www.thinkALPHAfirst.com

FIRST FLOOR PLAN -  
POWER

REVISIONS

No.	ITEM	DATE
1		3/7/2014

PROJ. NO.: 0810123.05  
DATE: NOVEMBER 19, 2013  
SHEET NO.:

E202

ISSUED FOR BIDDING  
2/12/2014 11:16:56 PM