

MOUNT OLIVE CORRECTIONAL COMPLEX

MOUNT OLIVE, WEST VIRGINIA

QUILLIAMS UNITS I AND II RECREATIONAL YARD METAL CAGES PROJECT

CONSTRUCTION DOCUMENTS: JUNE 19, 2013

EARL RAY TOMBLIN:

JOSEPH THORNTON:

JAMES RUBENSTEIN:

JAMES IELAPI:

PHILIP FARLEY II:

GOVERNOR

SECRETARY - W.V. DEPARTMENT OF MILITARY AFFAIRS AND PUBLIC SAFETY

COMMISSIONER - W.V. DIVISION OF CORRECTIONS

DEPUTY COMMISSIONER - W.V. DIVISION OF CORRECTIONS

CONSTRUCTION MANAGER - W.V. DIVISION OF CORRECTIONS



DRAWING INDEX

A1-0	KEY NOTES
A1-1	METAL CAGE ROOM LAYOUT
A2-1	METAL CAGE #1 LAYOUT DIMENSIONS
A2-2	METAL CAGE #2 LAYOUT DIMENSIONS
A2-3	METAL CAGE #3 LAYOUT DIMENSIONS
A3-1	METAL CAGE #1 LAYOUT DETAILS
A3-2	METAL CAGE #2 LAYOUT DETAILS
A3-3	METAL CAGE #3 LAYOUT DETAILS
A4-1	DOOR DETAILS METAL CAGES 1 AND 2
A4-1A	DOOR DETAILS METAL CAGE 3
A4-2	MISCELLANEOUS DETAILS
A5-1	EXISTING WINDOW CONDITIONS

- ① EXISTING CMU WALL STRUCTURE. CMU WALLS ARE FILLED WITH REBAR AND CONCRETE..
- ② EXISTING ENTRANCE DOOR TO RECREATIONAL ROOM AT REMAIN.
- ③ EMERGENCY EXIT DOOR.
- ④ MECHANICAL CHASE DOOR.
- ⑤ STORAGE CLOSET DOOR.
- ⑥ EXISTING WINDOWS.
- ⑦ NOT APPLICABLE.
- ⑧ NOT APPLICABLE.
- ⑨ 4" X 4" X 1/4" THICK STEEL TUBING.
- ⑩ 2" X 2" X 1/4" THICK STEEL TUBING.
- ⑪ 2" X 4" X 1/4" THICK STEEL TUBING.
- ⑫ 4" X 4" X 1/4" THICK STEEL L-BRACKET ANGLE STOP, WELD TO HORIZONTAL RAIL. EACH METAL CAGE MUST BE MOUNTED TO THE FLOOR ON THE OUTSIDE IN ALL FOUR CORNERS.
- ⑬ CONTINUOUS 3/4" GALVANIZED TERMINAL BAR FASTEN TO STEEL TUBING AT 12" O.C. WITH 14" X 1" LONG STAINLESS STEEL SELF DRILLING PAN HEAD TORZ SECURITY SCREW. THE TERMINAL BARS MUST BE INSTALLED OVER TOP OF THE SMA, NOT BEHIND IT.
- ⑭ ~~5" WELD ON SECURITY HINGES. THREE ARE REQUIRED PER DOOR.~~
- ⑮ MECHANICAL SECURITY LOCK ASSEMBLY.
- ⑯ DIMENSIONS AS REQUIRED FOR LOCKSET.
- ⑰ DEADLATCH/DEADLOCK WITH GRILL MOUNTING.
- ⑱ CLEARANCE AS REQUIRED FOR HINGE.
- ⑲ CLEARANCE AS REQUIRED FOR LOCKSET.
- ⑳ 1" MAX.
- ㉑ 3/16" GALVANIZED STEEL PLATE WELD TO FRAMING AND GRID SMOOTH ALL EDGES AROUND OPENING.
- ㉒ GALVANIZED WELDED SECURITY MESH ASSEMBLY (SMA), WIRE GAUGE: 8, 0.162", HEIGHT EVERY 0.5 " X WIDTH EVERY 3". SMA IS SHOWN OF THE LAYOUT DRAWINGS TO GO IN BETWEEN THE STEEL TUBING STRUCTURE. ON THE MISCELLANEOUS DETAILS DRAWING, IT SHOWS THAT THE SMA COVERS THE ENTIRE SIDE AND STEEL TUBING STRUCTURE WHICH IS CORRECT.
- ㉓ DETENTION ENCLOSURE SECURITY MESH ASSEMBLY WELDS TO GATE FRAMING.
- ㉔ NOT APPLICABLE.
- ㉕ HAND CUFF PORT.
- ㉖ 2" MAX.
- ㉗ LADDER.
- ㉘ LADDER TO BE WELDED TO METAL STRUCTURE.
- ㉙ METAL CAGE #1.
- ㉚ METAL CAGE #2.
- ㉛ METAL CAGE #3.
- ㉜ PASS DOOR.
- ㉝ PASS DOOR HINGE.
- ㉞ LATCH ASSEMBLY.
- ㉟ ~~LATCH BOX CATCH.~~
- ㊱ ELECTRONIC/MECHANICAL SECURITY LOCK ASSEMBLY.
- ㊲ LOCK LATCH.

KEY NOTES

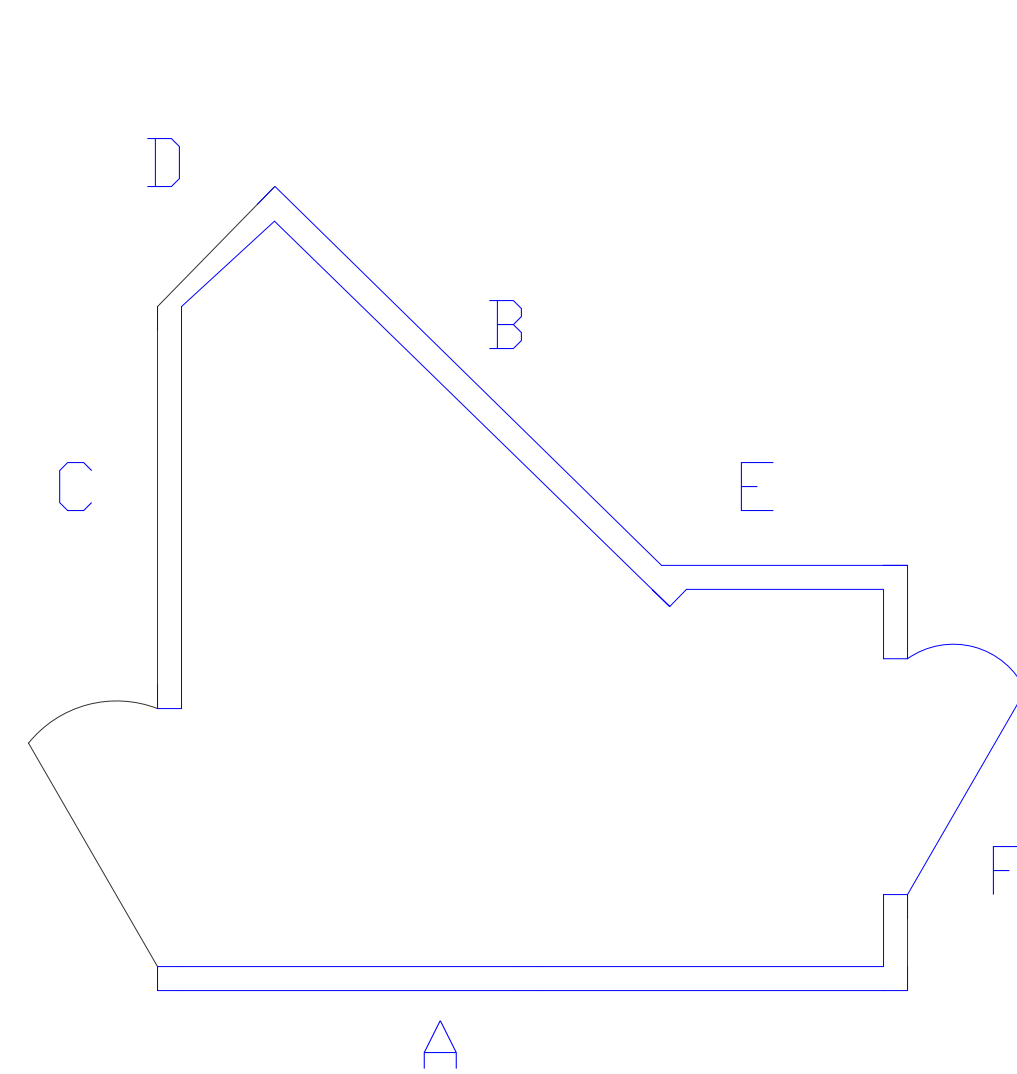
General Notes

No.	Revision/Issue	Date

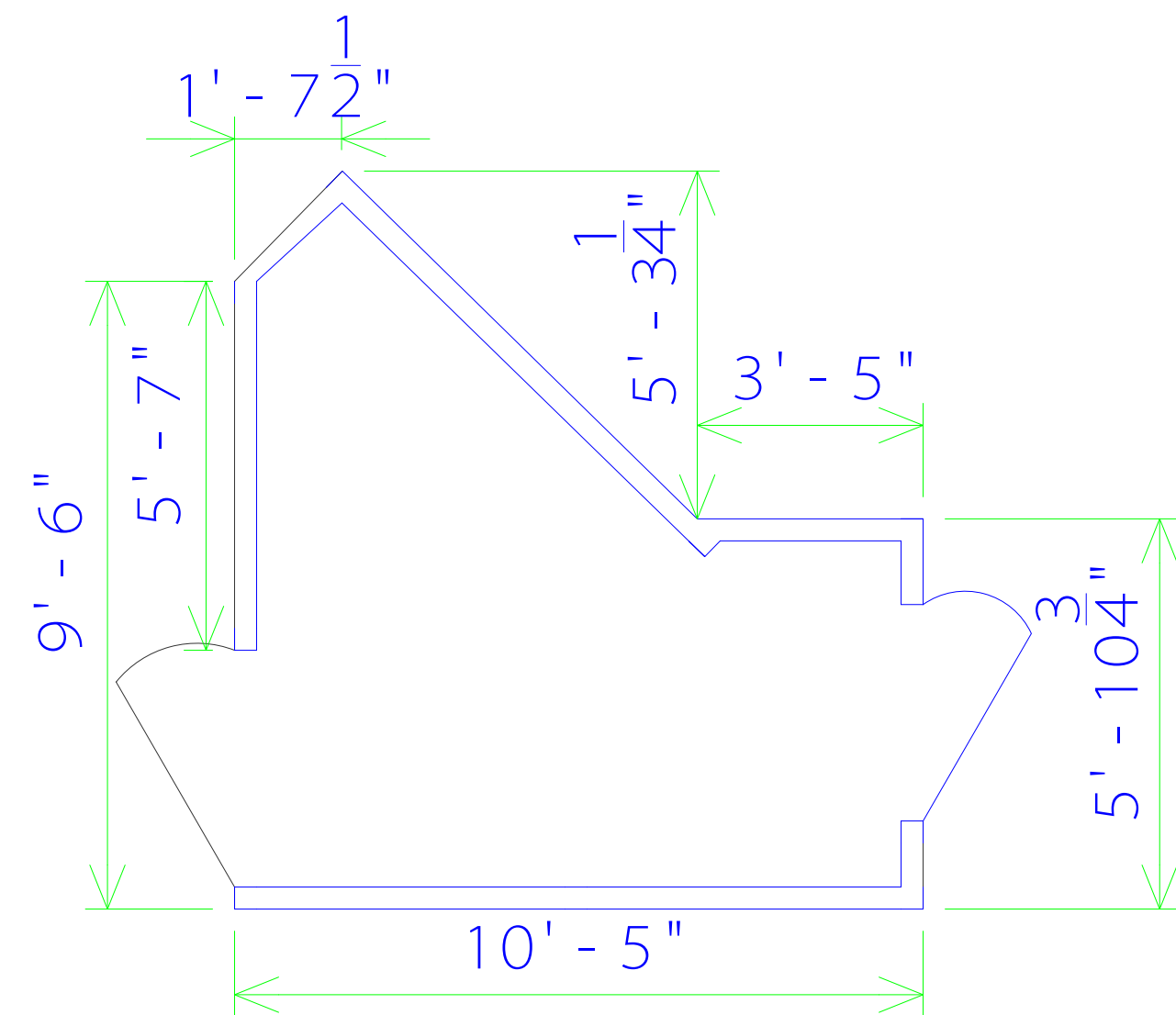
Firm Name and Address
 West Virginia Division of
 Corrections
 1409 Greenbrier Street
 Charleston, WV 25311

Project Name and Address
 Quilliams - Units I an II Recreational
 Yard Metal Cages Project
 Mount Olive Correctional Complex
 I Mountside Way
 Mount Olive, WV 25185

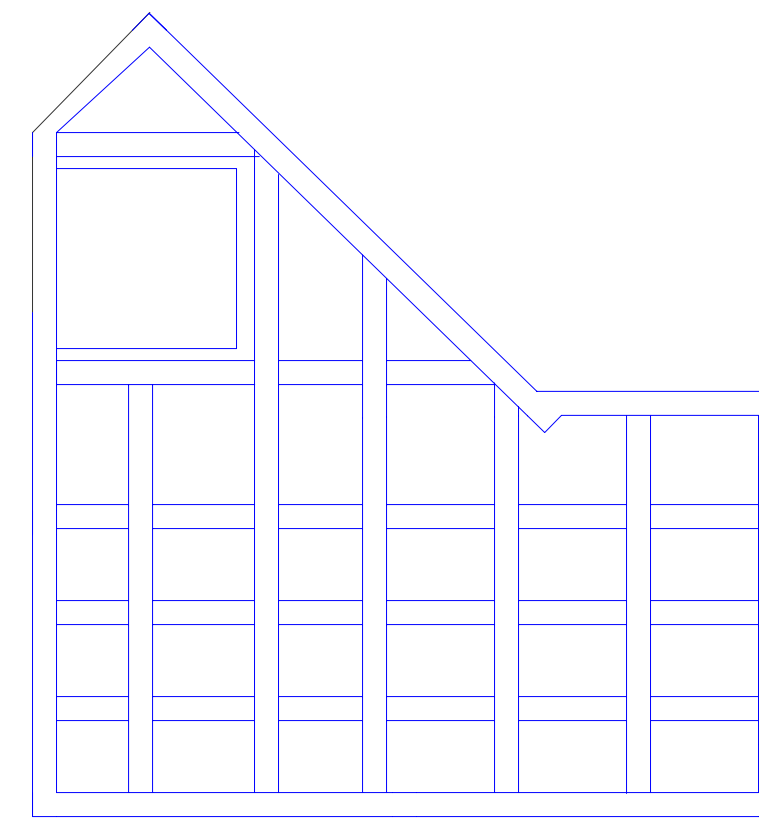
Project	CDR61615	Sheet	A1-0
Date	JUNE 17, 2013		
Scale			



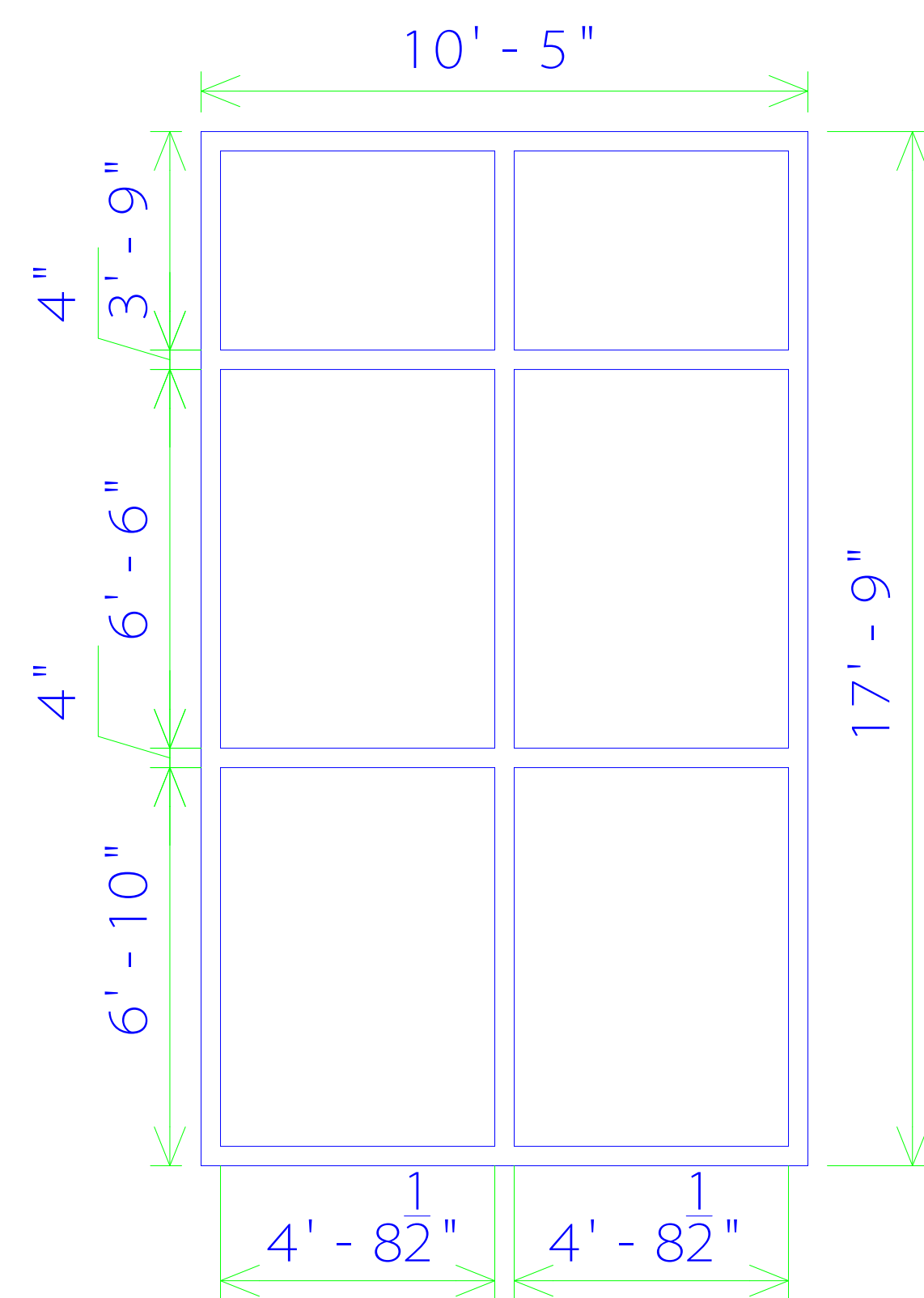
METAL CAGE LAYOUT



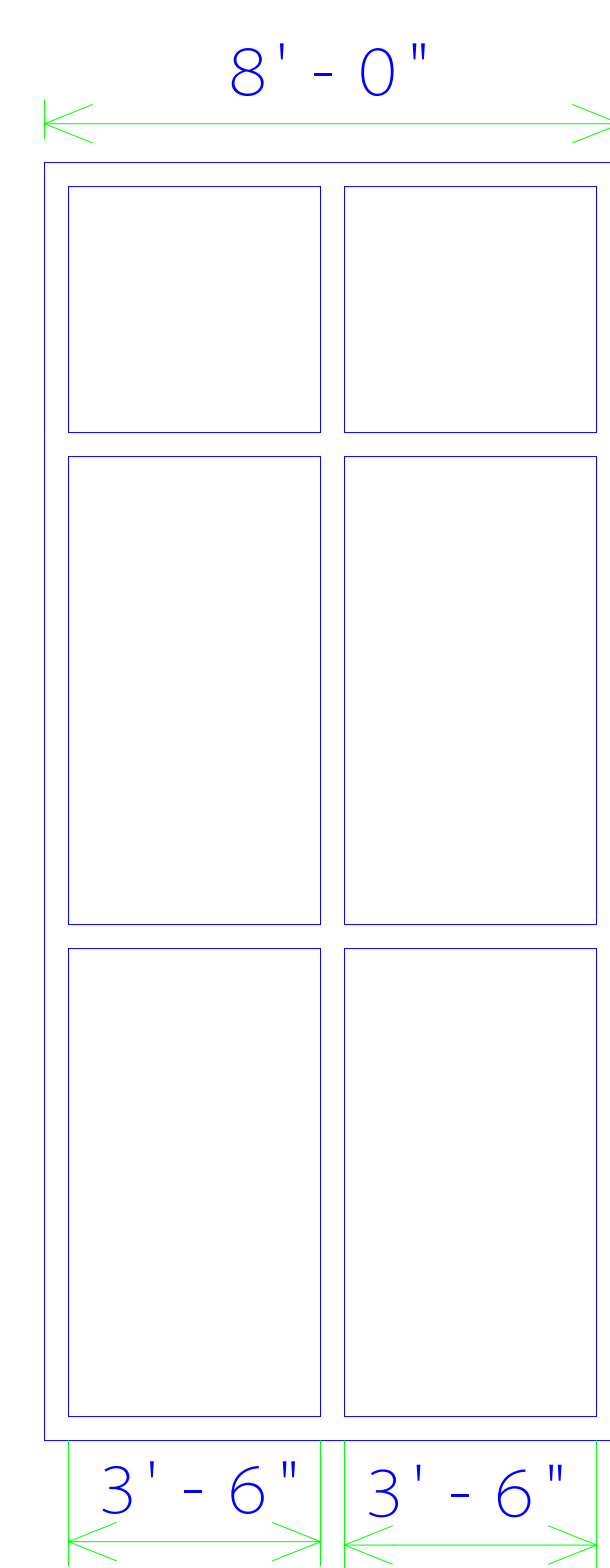
METAL CAGE LAYOUT DIMENSIONS



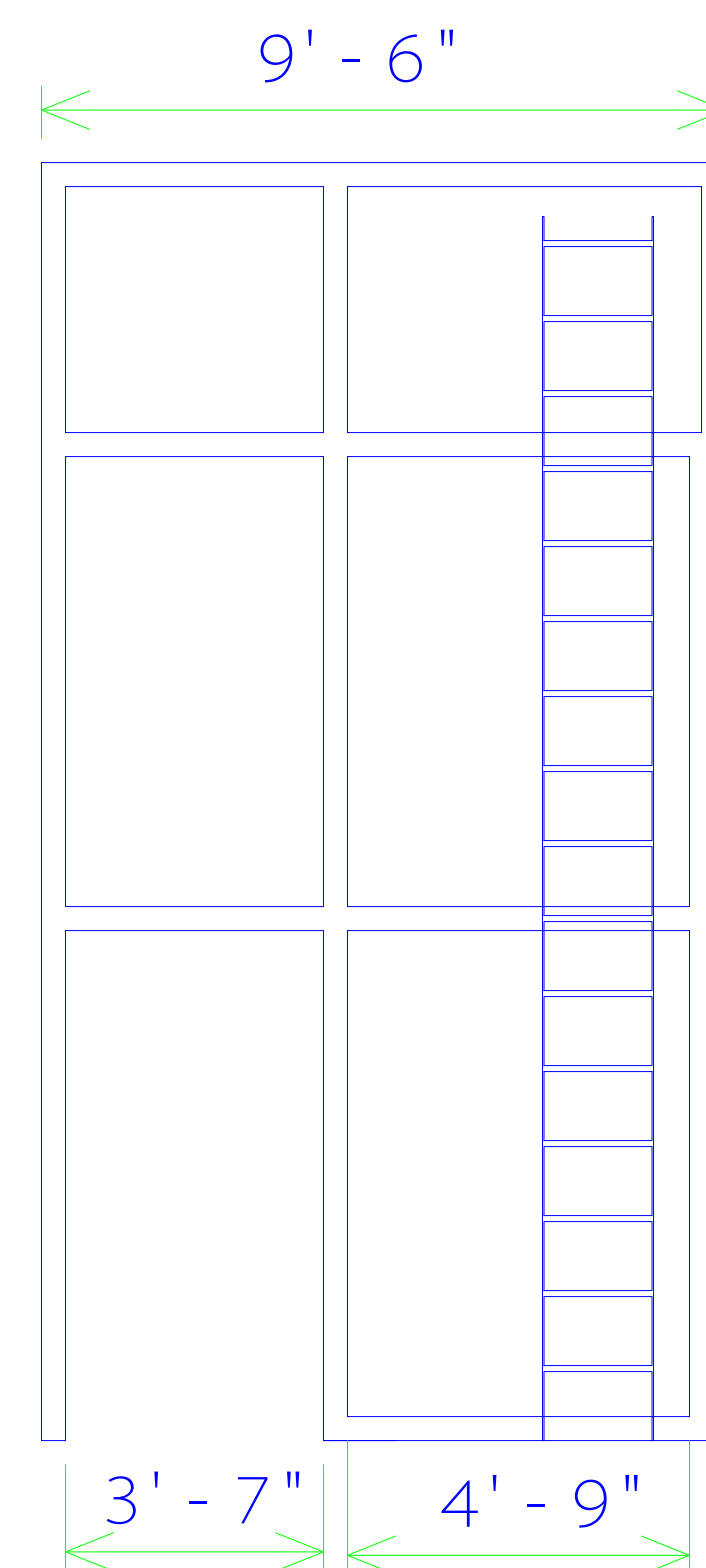
METAL CAGE SECOND FLOORS LAYOUT



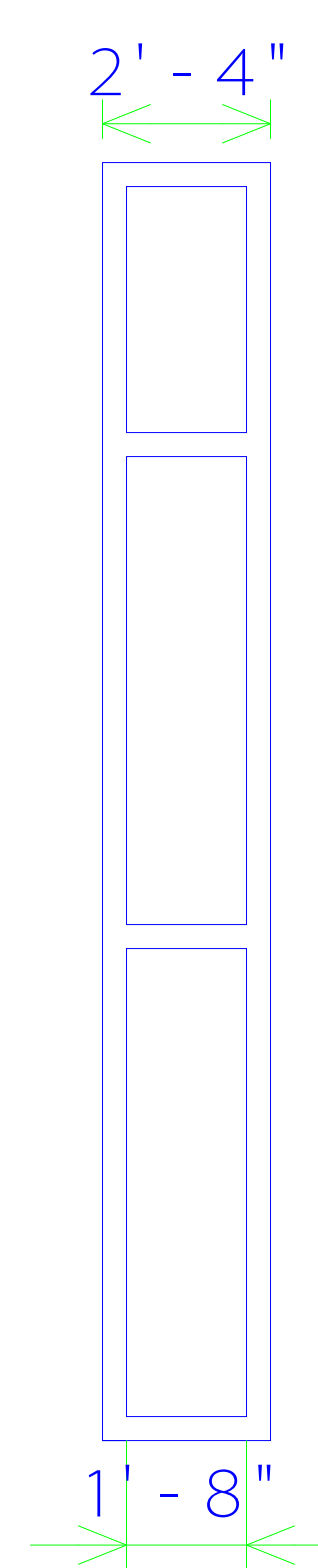
METAL CAGE DIMENSIONS
AREA (A)



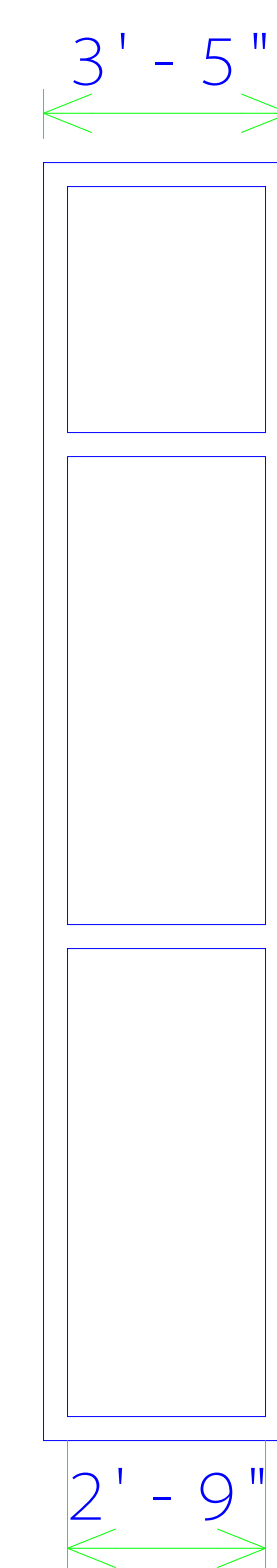
METAL CAGE DIMENSIONS
AREA (B)



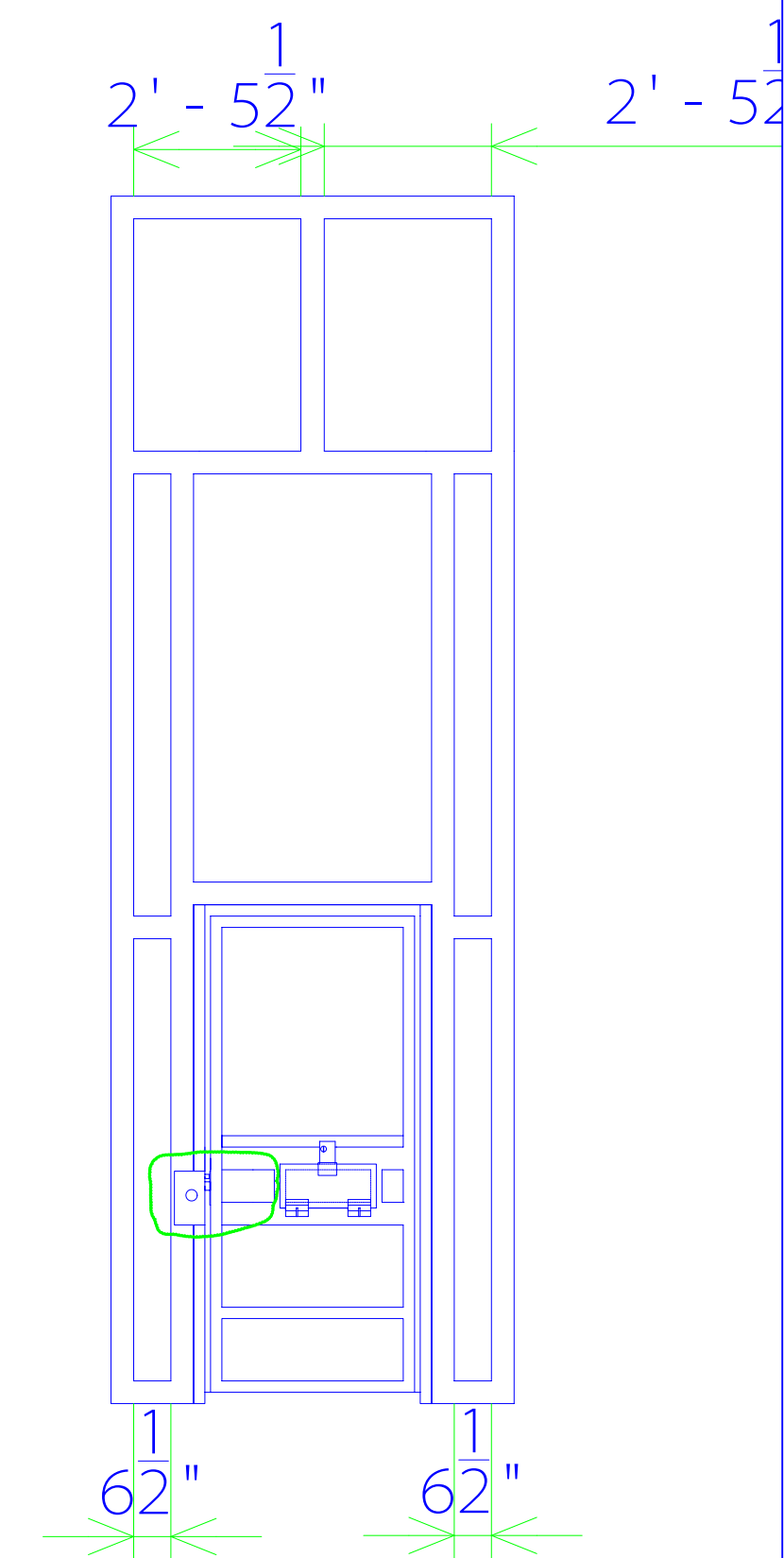
METAL CAGE DIMENSIONS
AREA (C) - INSIDE CAGE



METAL CAGE DIMENSIONS
AREA (D)



METAL CAGE DIMENSIONS
AREA (E)



METAL CAGE DIMENSIONS
AREA (F)

METAL CAGE #3 DIMENSIONS
SCALE: 3/8" = 1'

SEE DRAWING A1-0
FOR KEY NOTES.

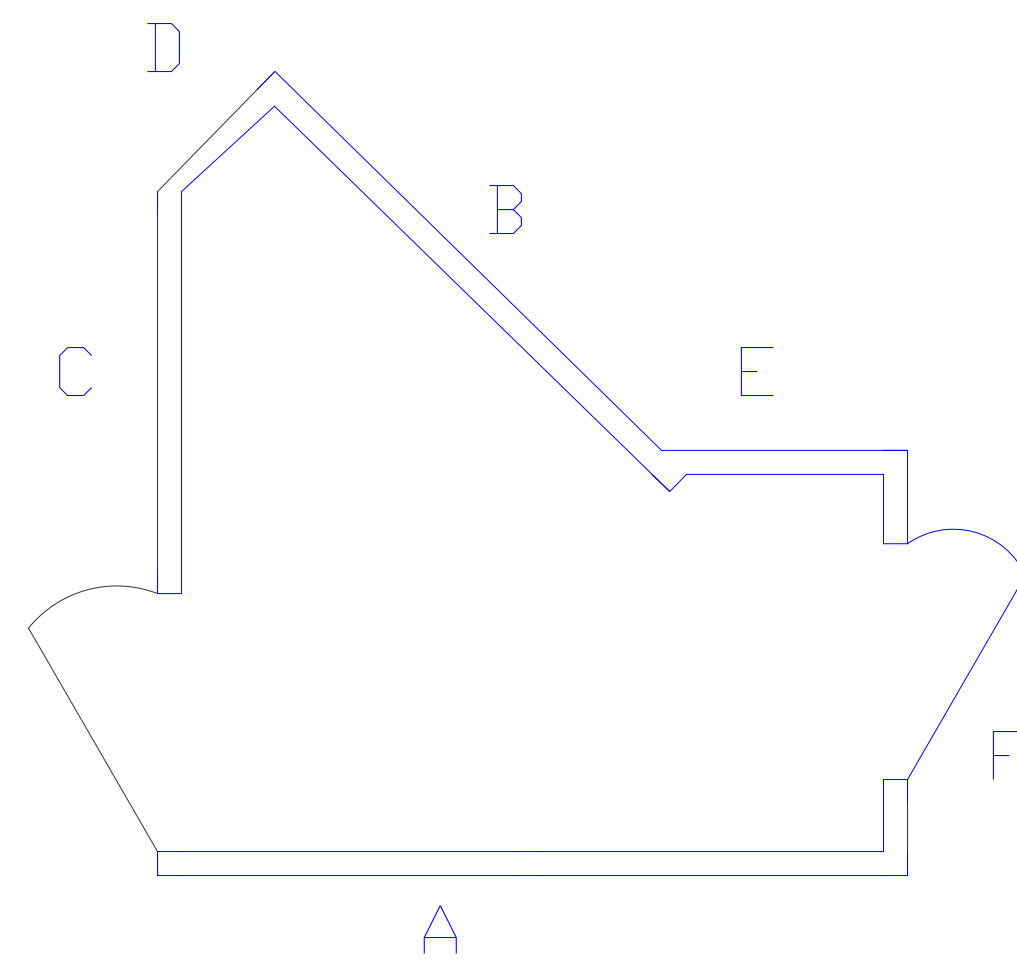
General Notes

No.	Revision/Issue	Date

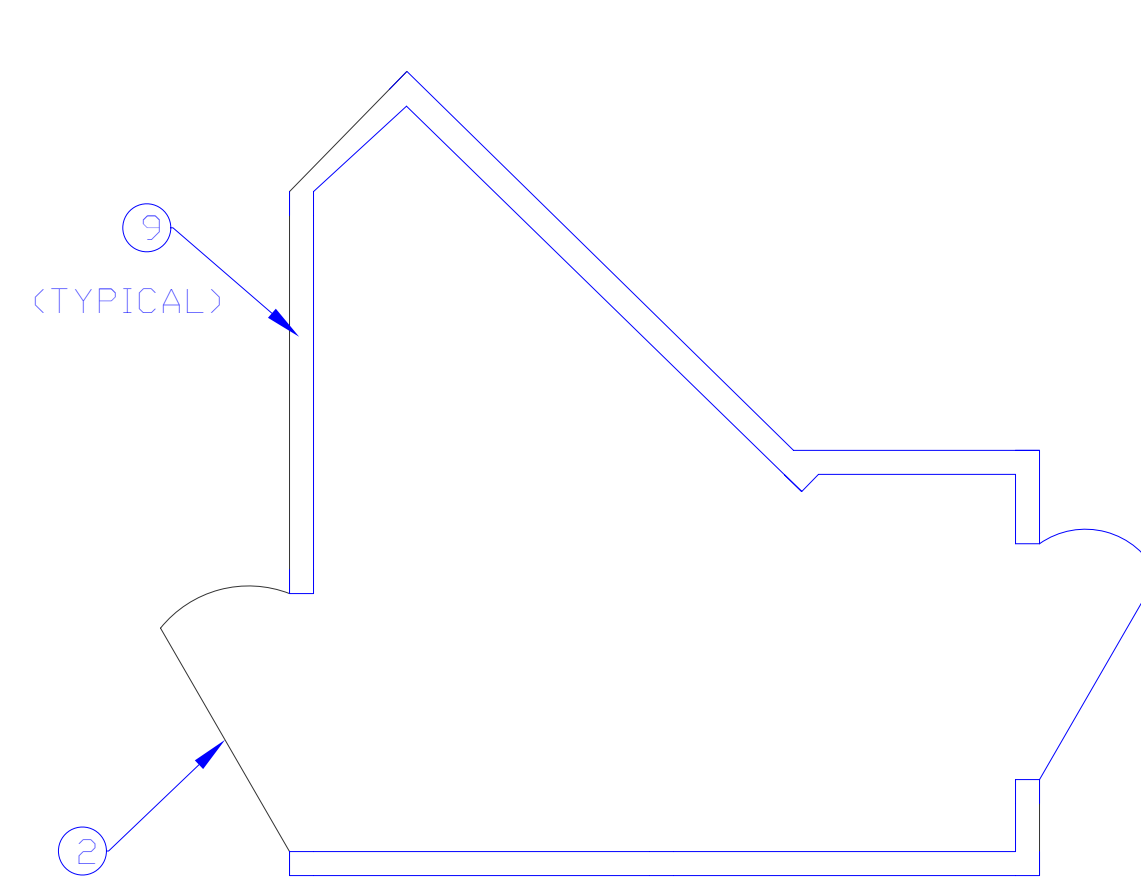
Firm Name and Address
West Virginia Division of Corrections
 1409 Greenbrier Street
 Charleston, WV 25311

Project Name and Address
Quilliams - Units I an II Recreational Yard Metal Cages Project
 Mount Olive Correctional Complex
 1 Mountainside Way
 Mount Olive, WV 25185

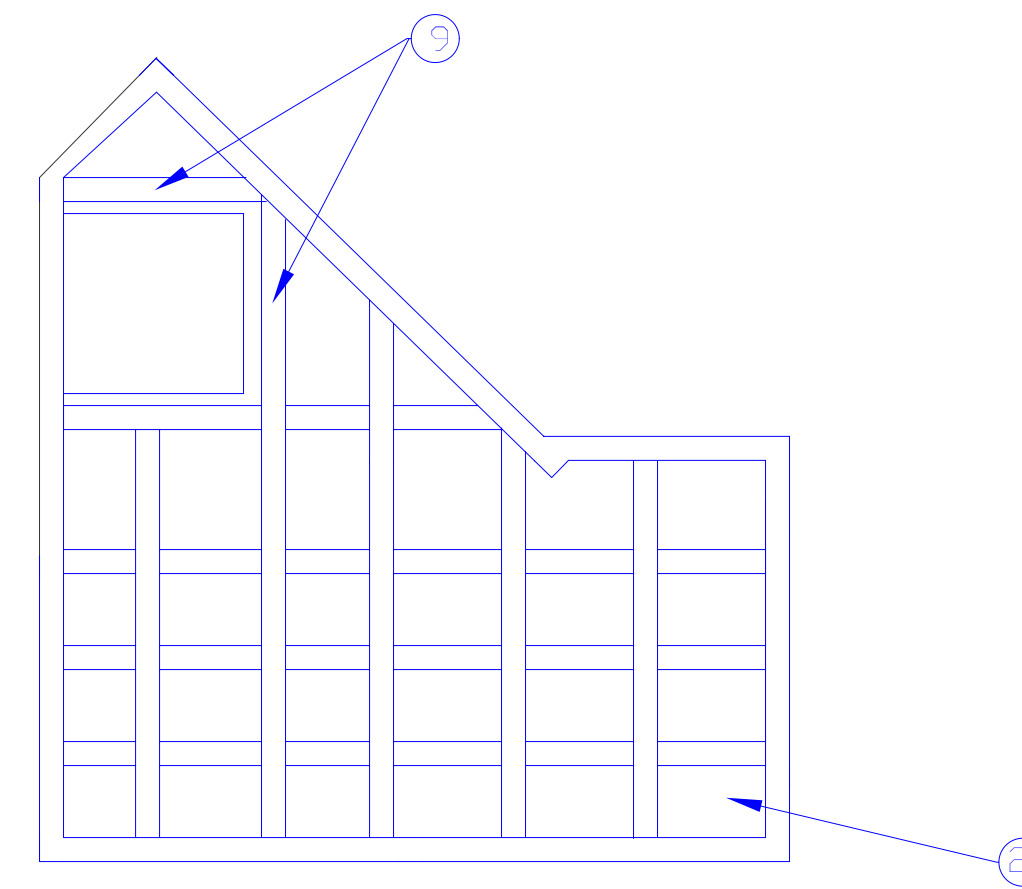
Project	COR61615	Sheet	A2-3
Date	JUNE 17, 2013		
Scale	3/8" = 1'		



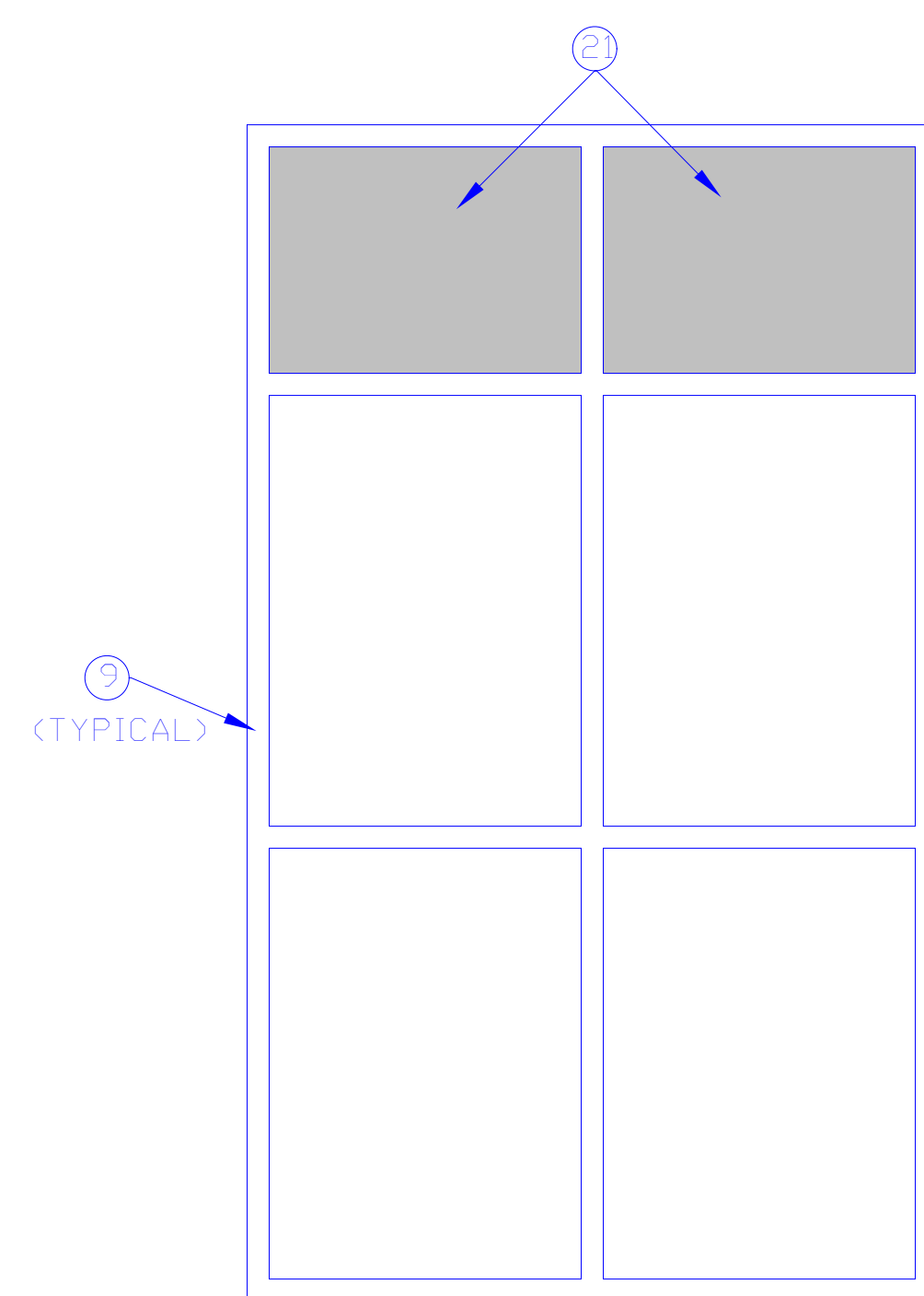
METAL CAGE LAYOUT



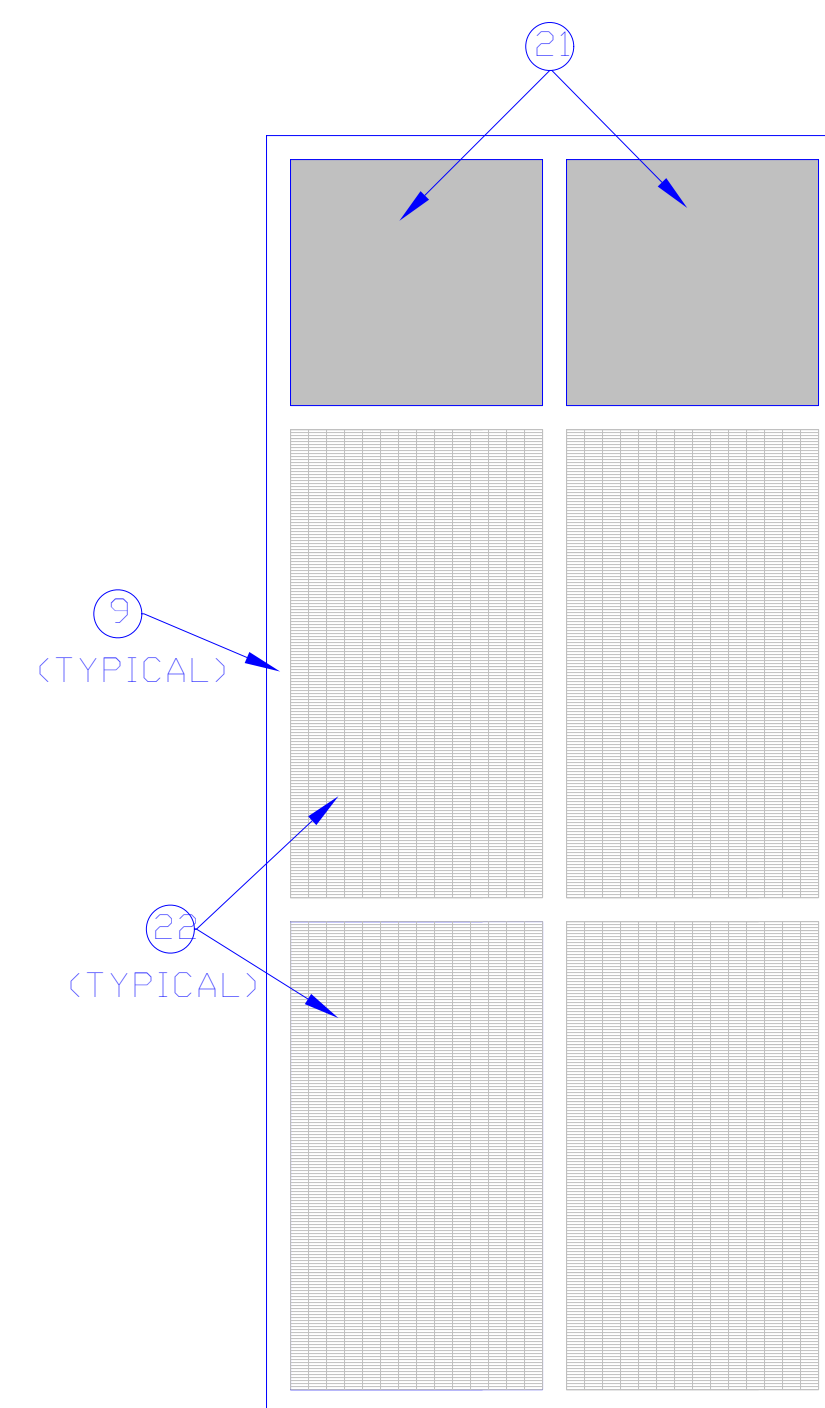
METAL CAGE LAYOUT DIMENSIONS



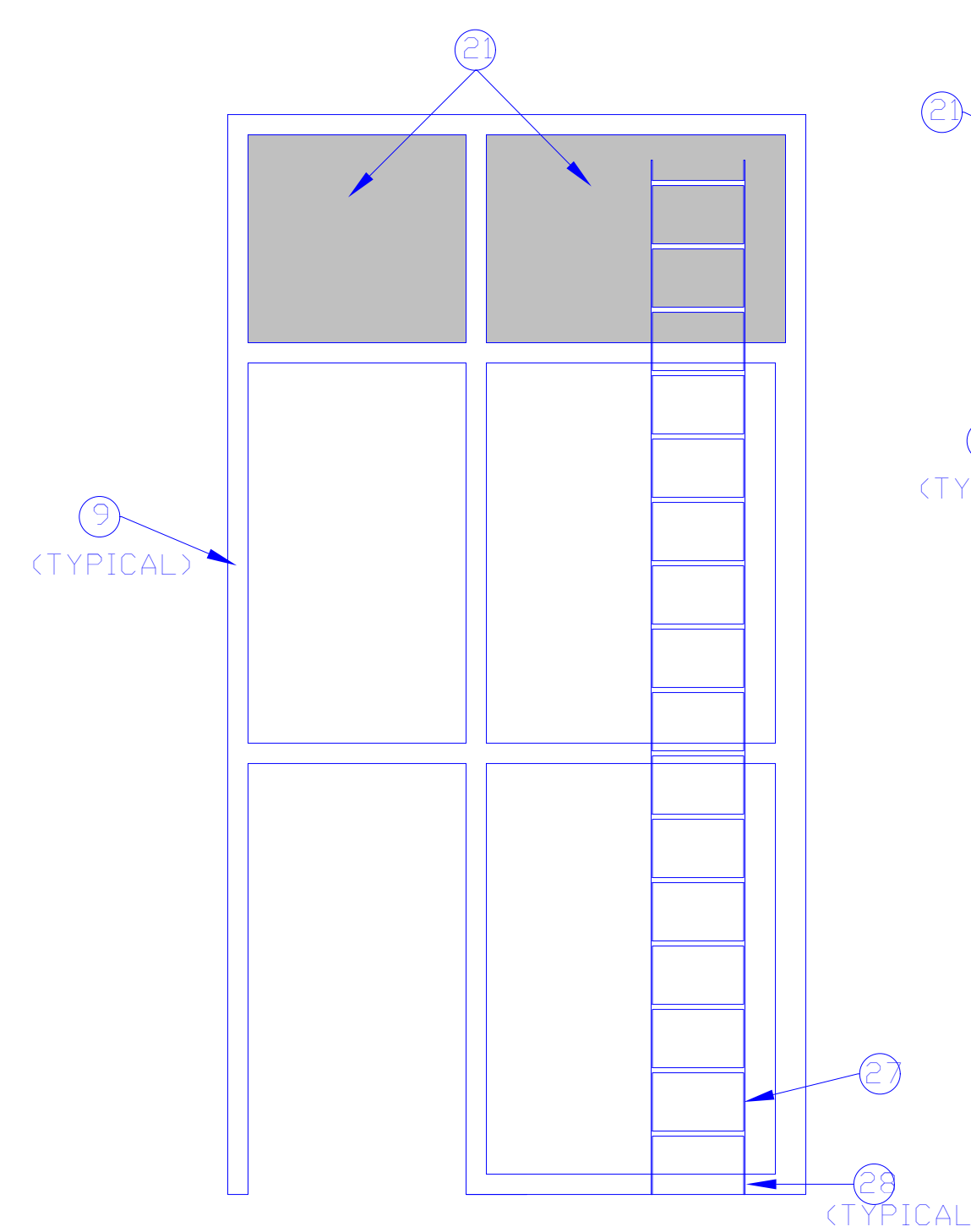
METAL CAGE SECOND FLOORS LAYOUT



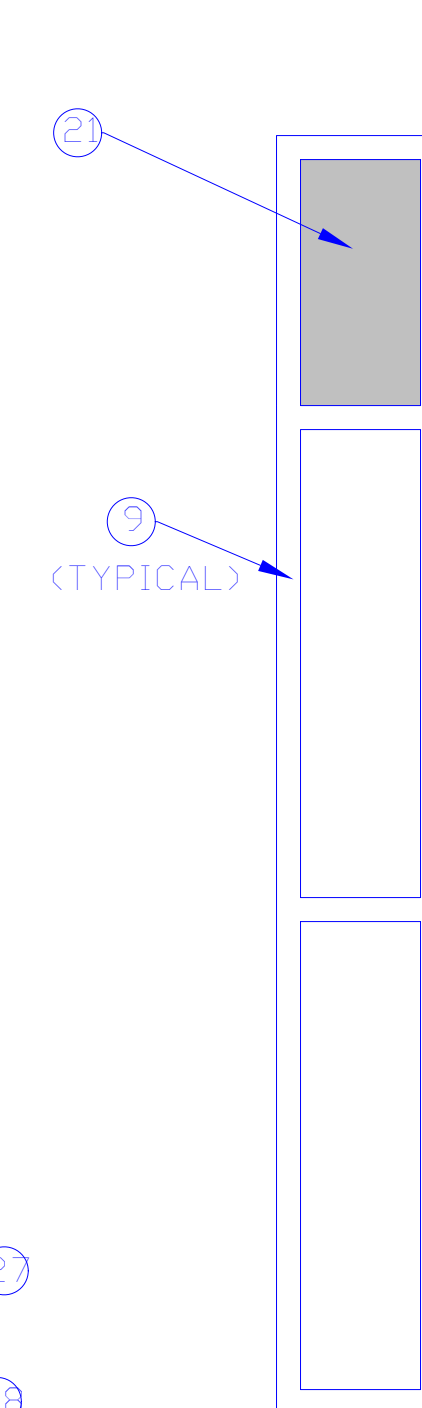
METAL CAGE DIMENSIONS
AREA (A)



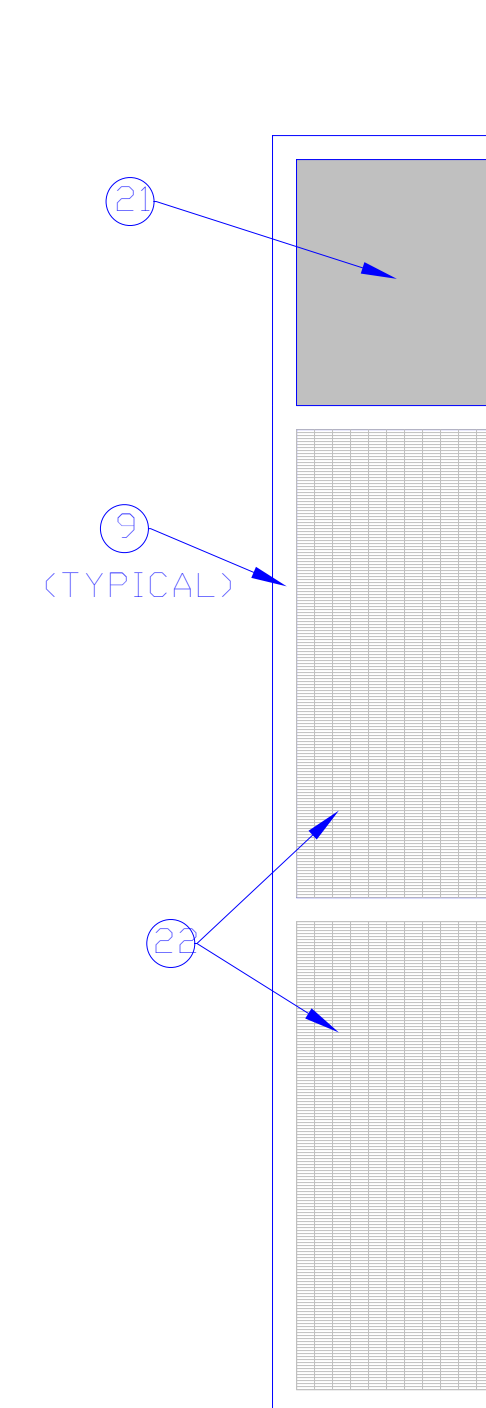
METAL CAGE DIMENSIONS
AREA (B)



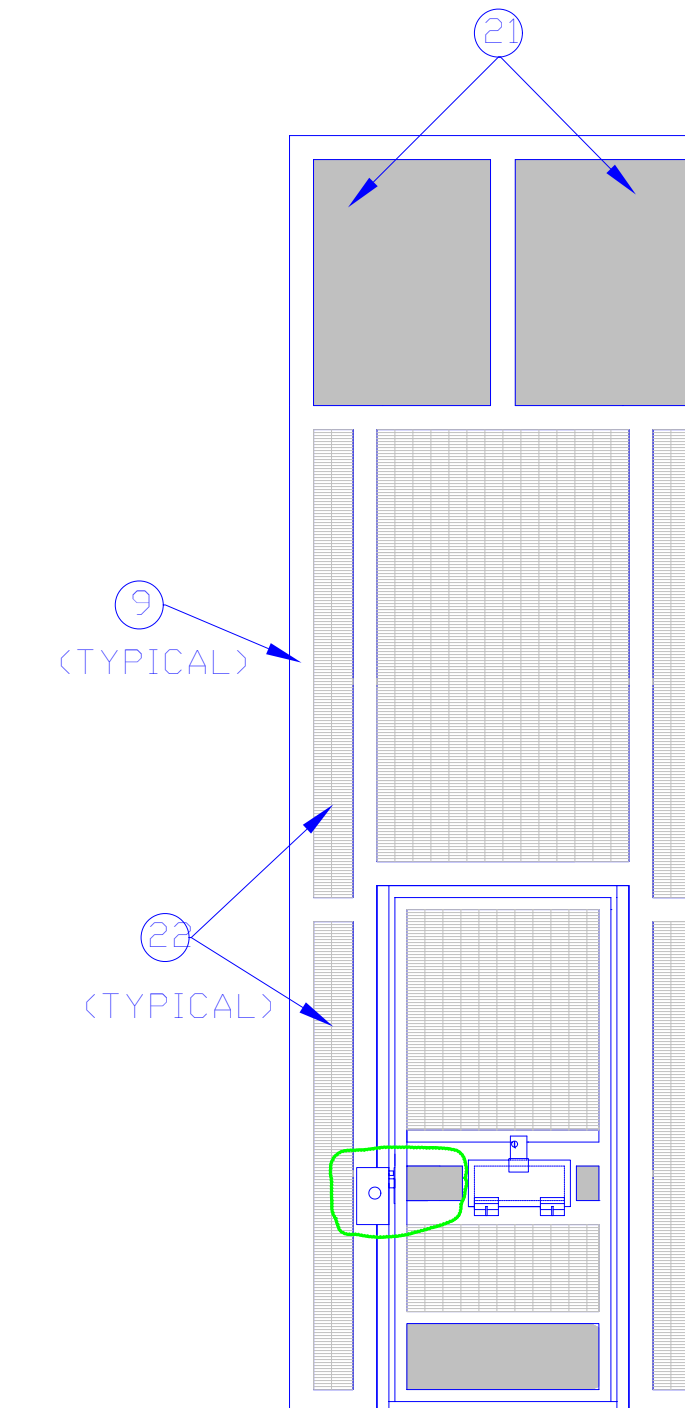
METAL CAGE DIMENSIONS
AREA C - INSIDE CAGE



METAL CAGE DIMENSIONS
AREA (D)



METAL CAGE DIMENSIONS
AREA (E)



METAL CAGE DIMENSIONS
AREA (F)

METAL CAGE #3 LAYOUT DETAILS
SCALE: 3/8" = 1'

SEE DRAWING A1-0
FOR KEY NOTES.

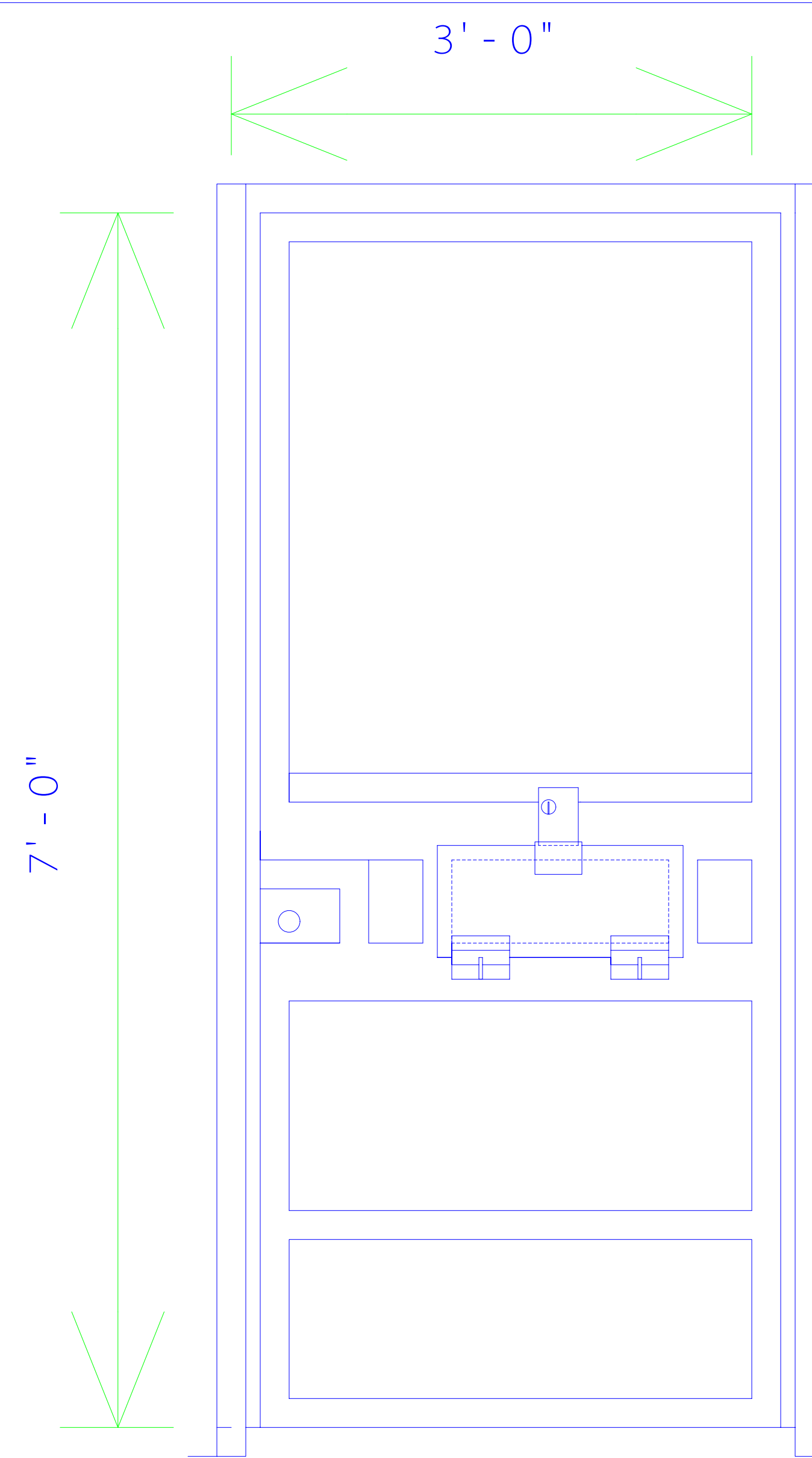
General Notes

No.	Revision/Issue	Date

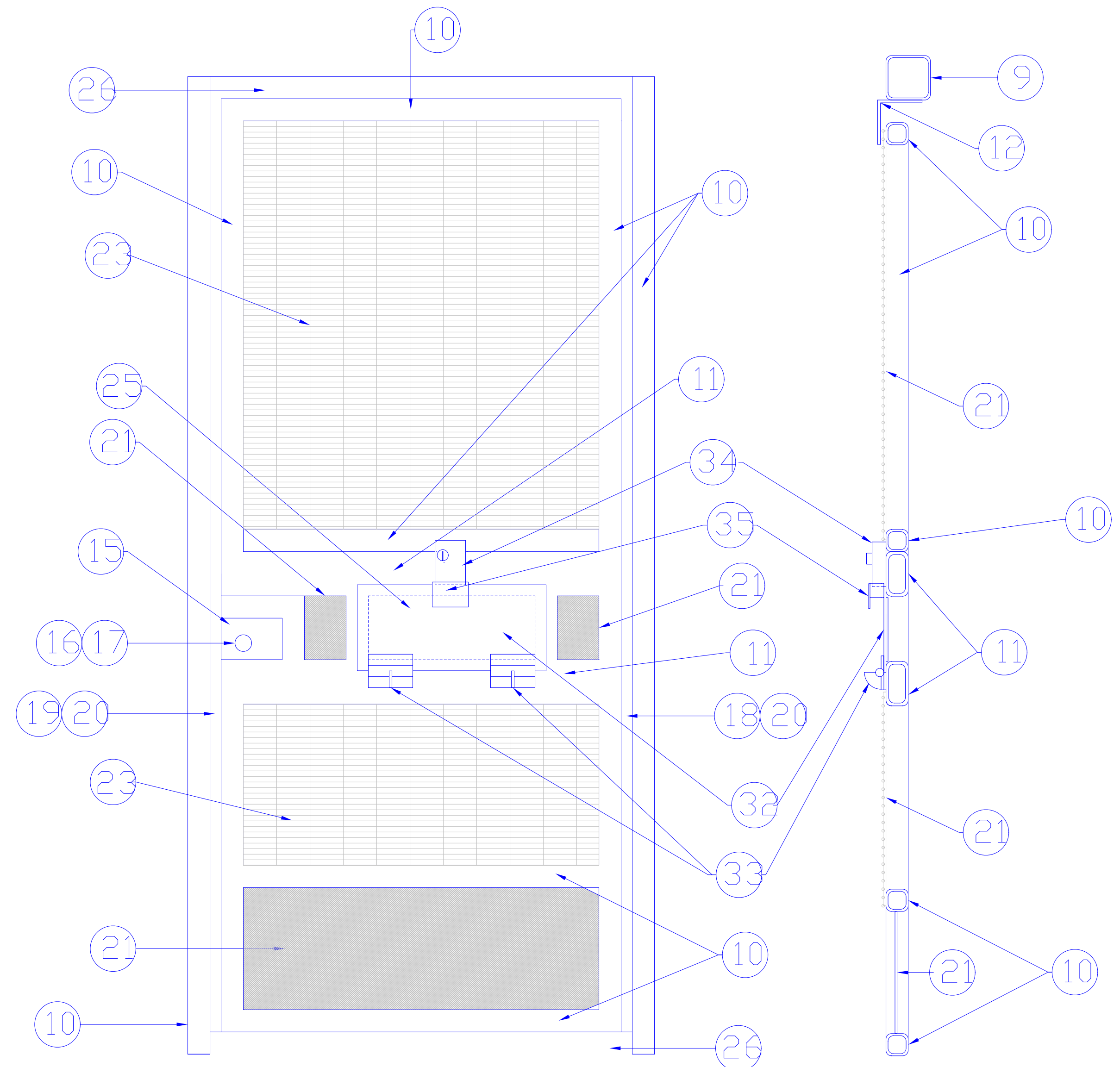
Firm Name and Address
**West Virginia Division of
 Corrections**
 1409 Greenbrier Street
 Charleston, WV 25311

Project Name and Address
**Quilliams - Units I an II Recreational
 Yard Metal Cages Project**
 Mount Olive Correctional Complex
 I Mountside Way
 Mount Olive, WV 25185

Project	CDR61615	Sheet	A3-3
Date	JUNE 17, 2013		
Scale	3/8" = 1'		

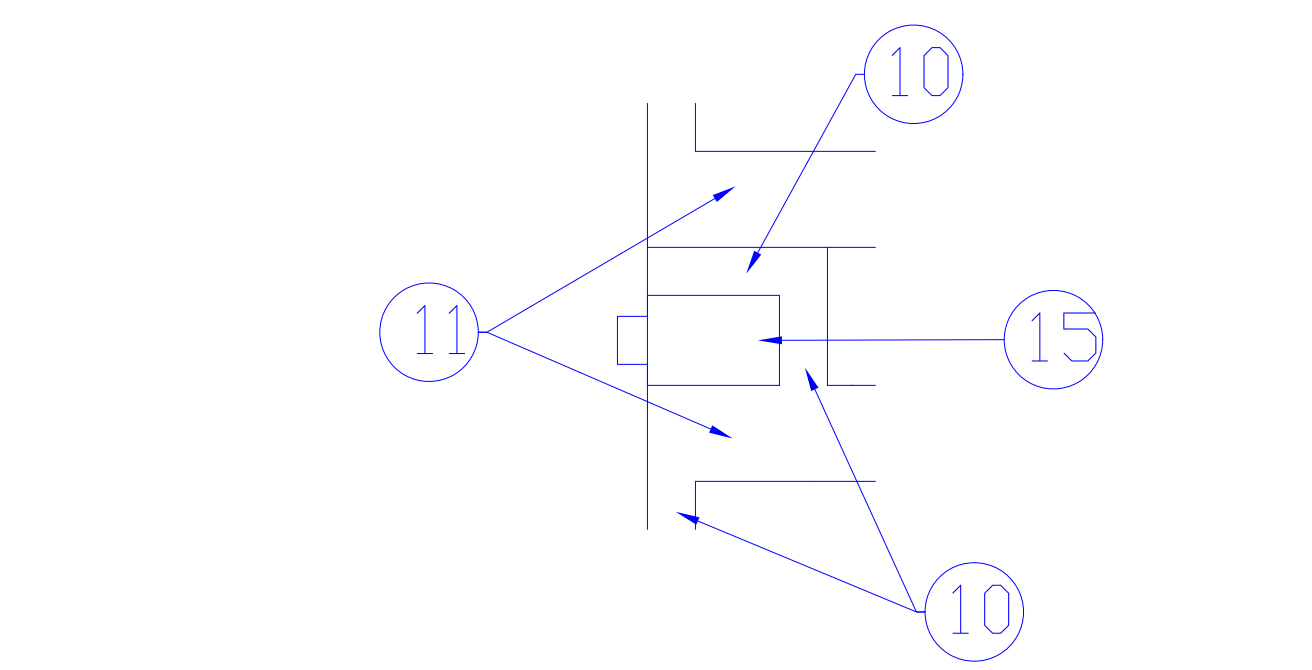


DOOR LAYOUT DIMENSIONS

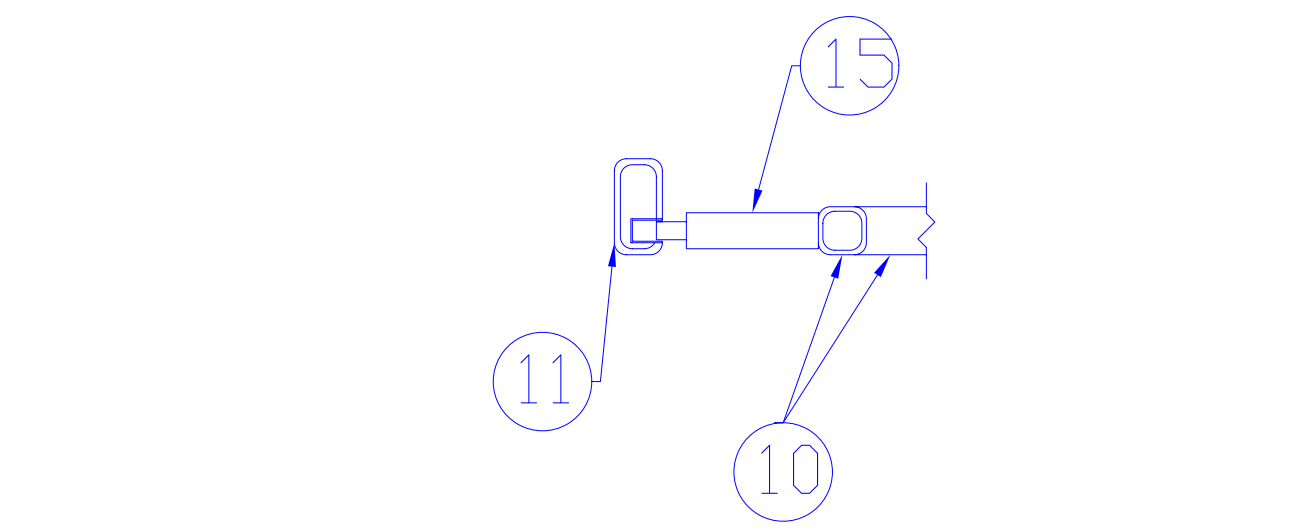


DOOR DETAILS FRONT LAYOUT

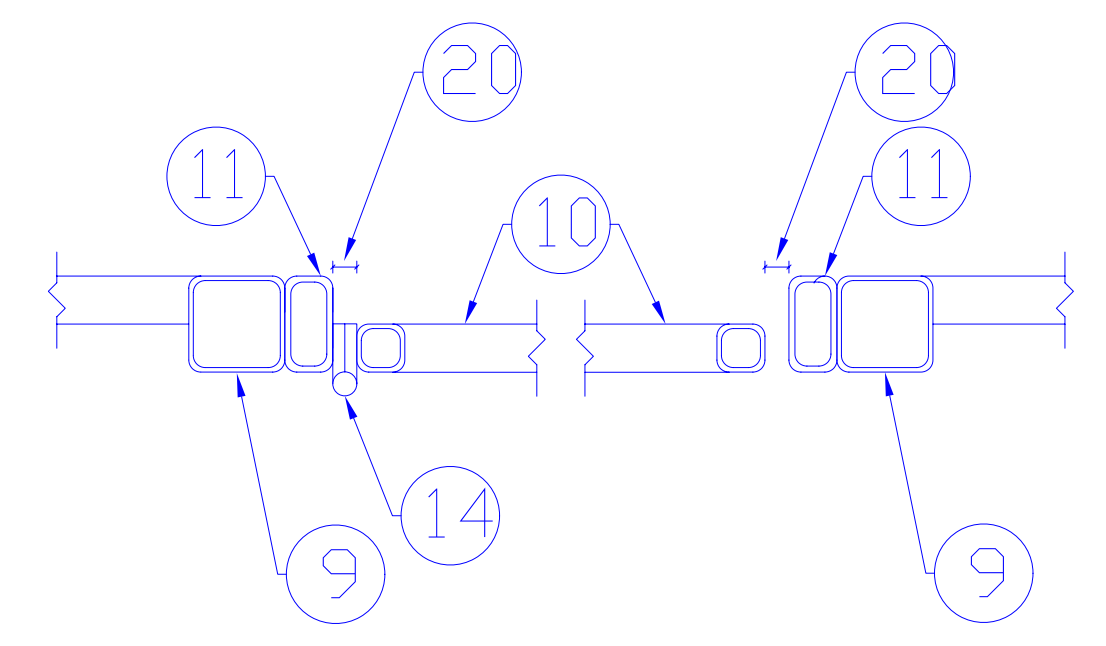
DOOR DETAILS SIDE LAYOUT



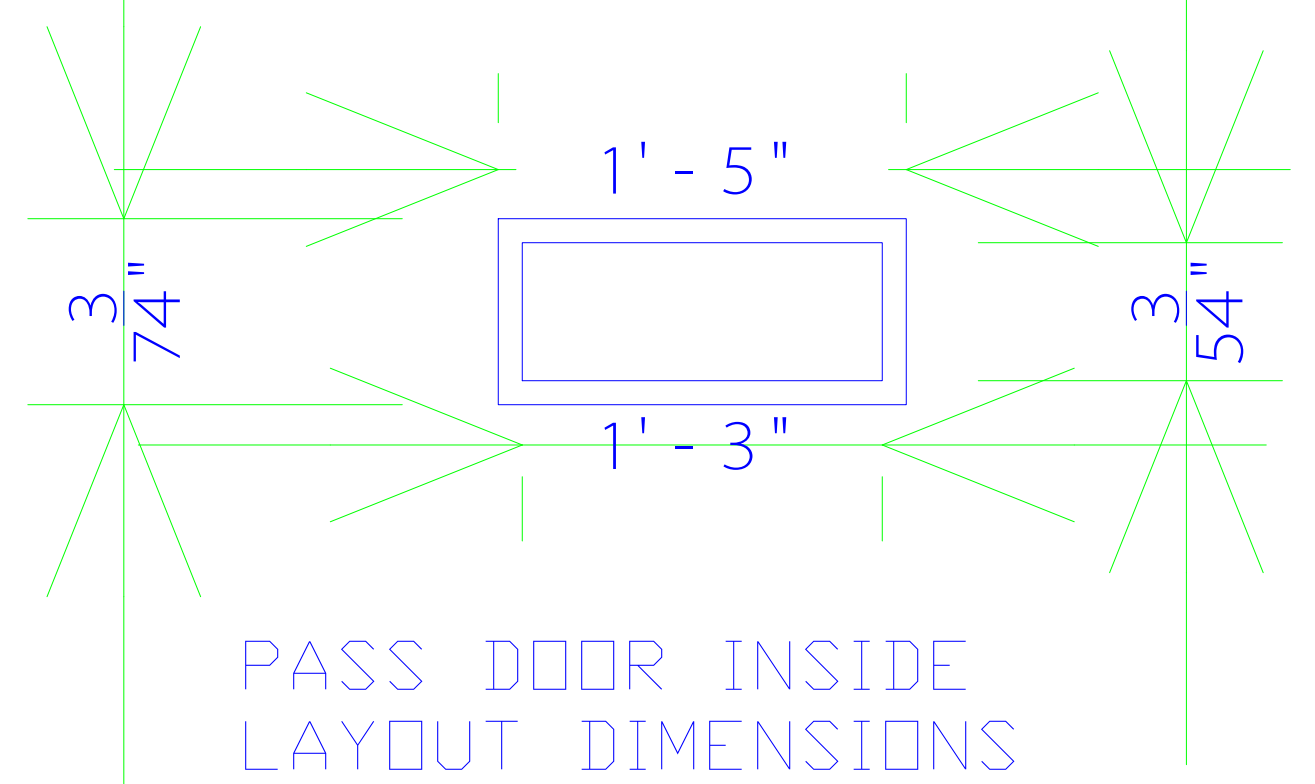
LOCK ASSEMBLY FRONT LAYOUT



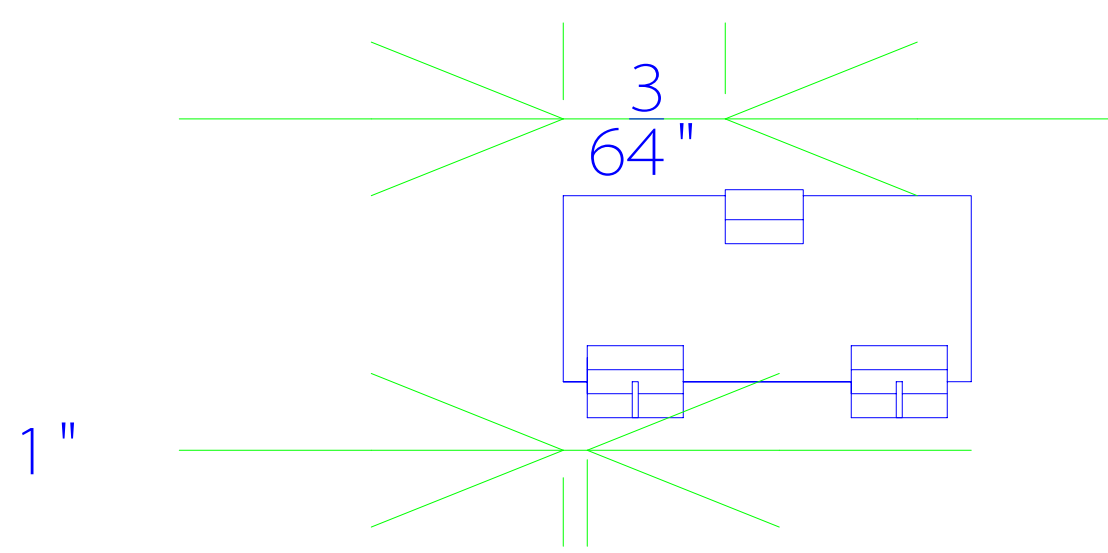
LOCK ASSEMBLY SIDE LAYOUT



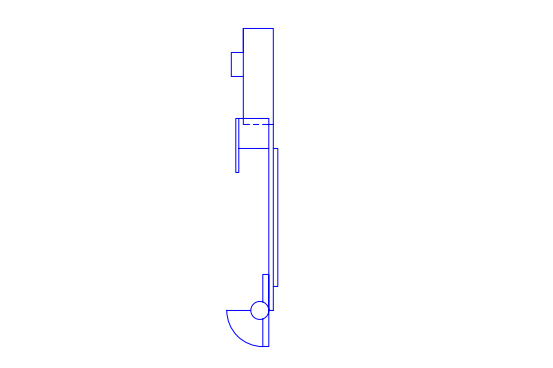
DOOR SIDE LAYOUT



PASS DOOR INSIDE LAYOUT DIMENSIONS



PASS DOOR FRONT LAYOUT DIMENSIONS



PASS DOOR SIDE LAYOUT

DOOR DETAILS METAL CAGES 1 AND 2
 SCALE: 1-1/2" = 1'

SEE DRAWING A1-0 FOR KEY NOTES.

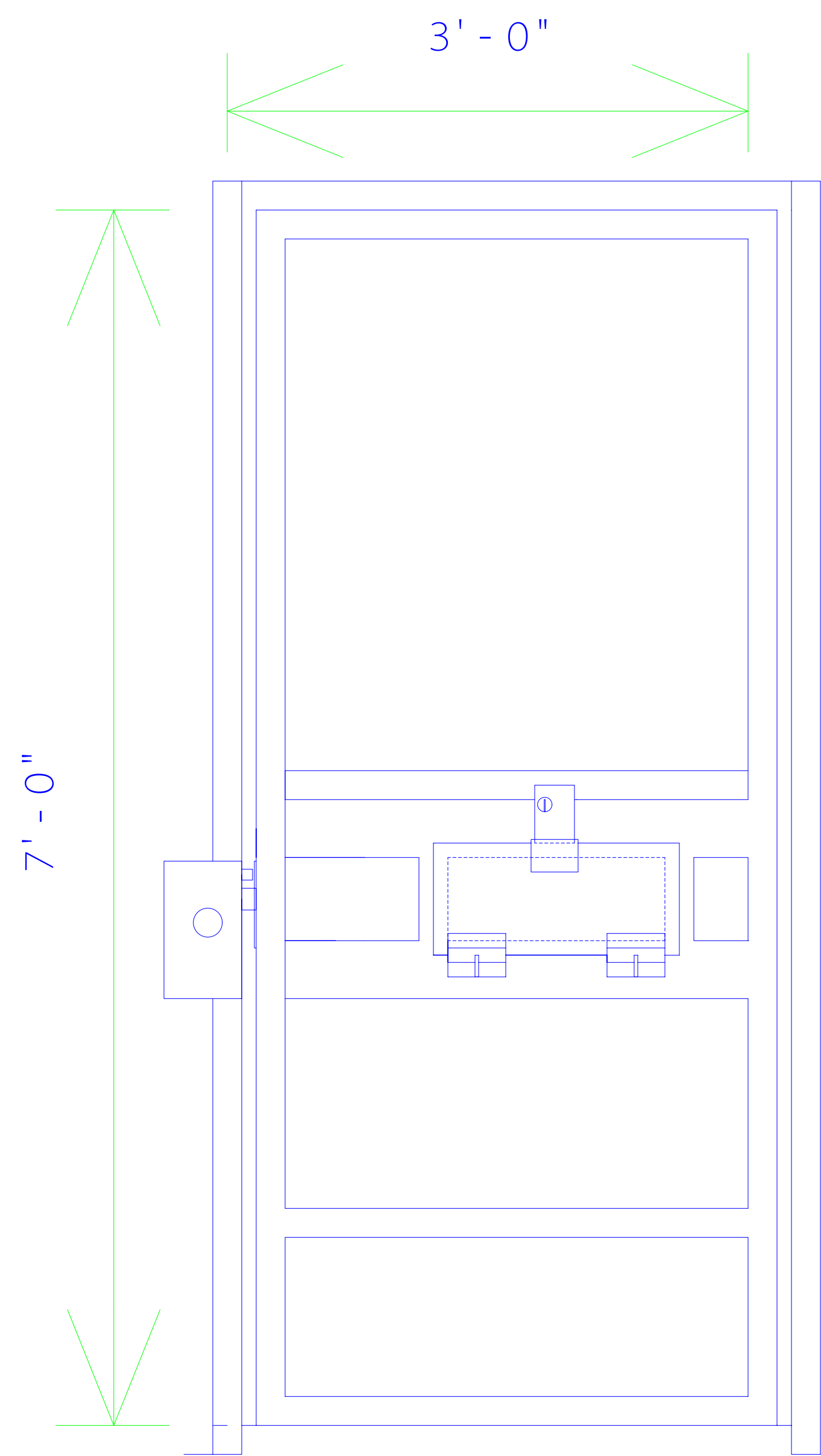
General Notes

No.	Revision/Issue	Date

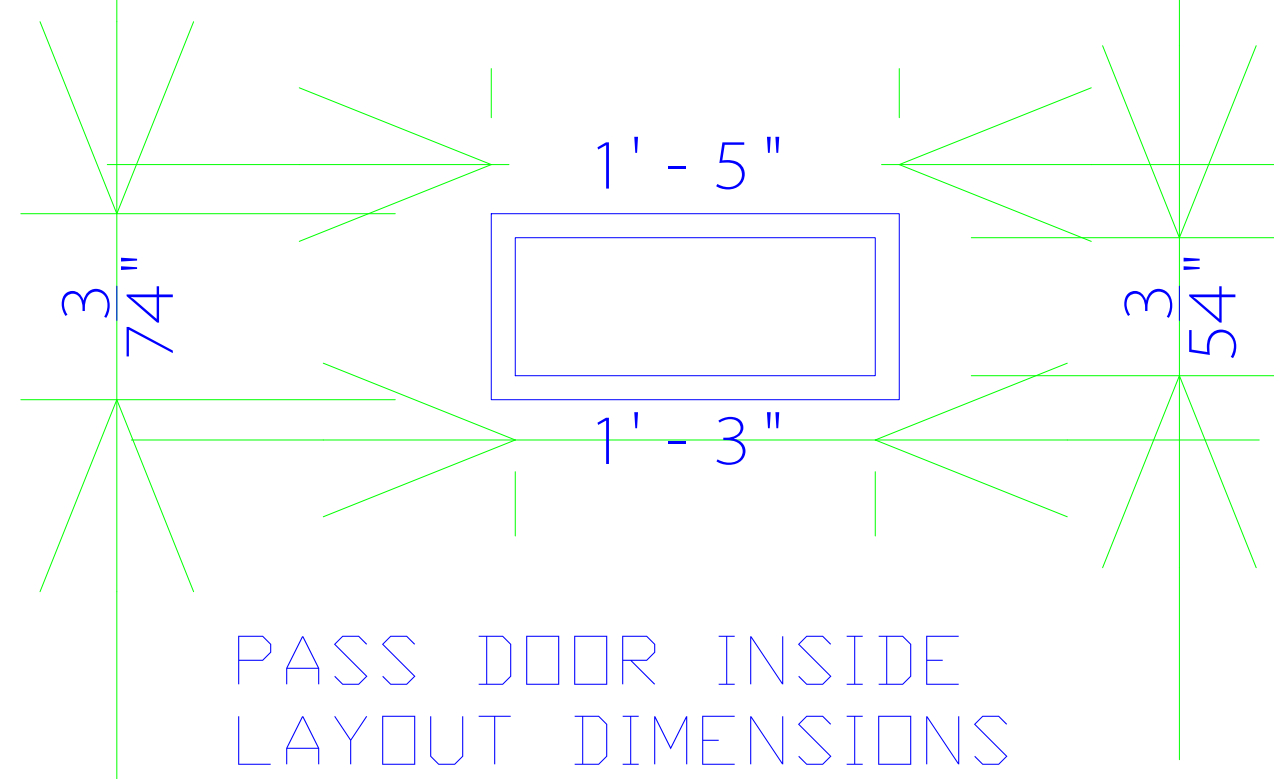
Firm Name and Address
 West Virginia Division of Corrections
 1409 Greenbrier Street
 Charleston, WV 25311

Project Name and Address
 Quilliams - Units I an II Recreational Yard Metal Cages Project
 Mount Olive Correctional Complex
 1 Mountainside Way
 Mount Olive, WV 25185

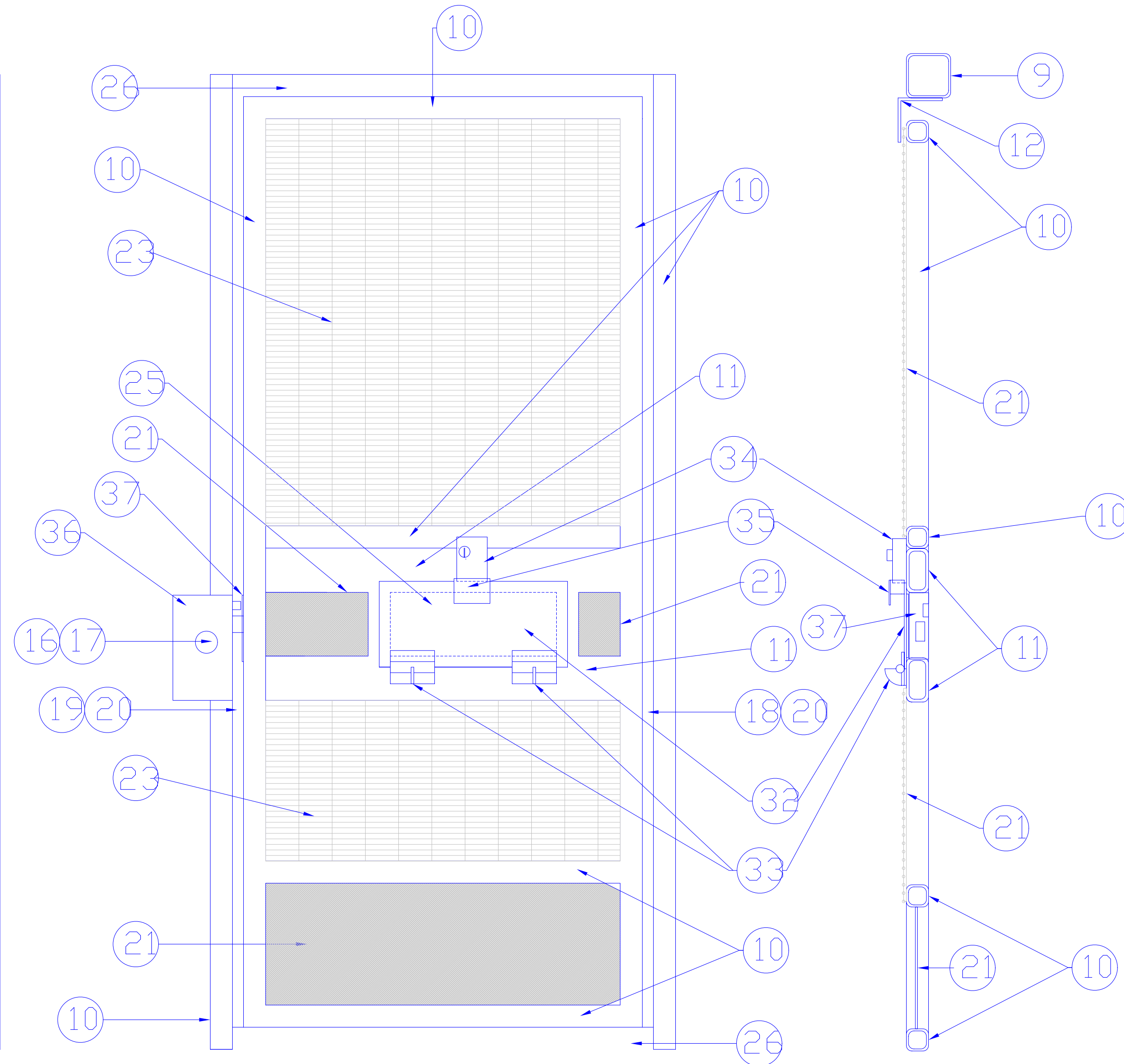
Project	CDR61615	Sheet	
Date	JUNE 17, 2013		A4-1
Scale	1-1/2" = 1'		



DOOR LAYOUT DIMENSIONS

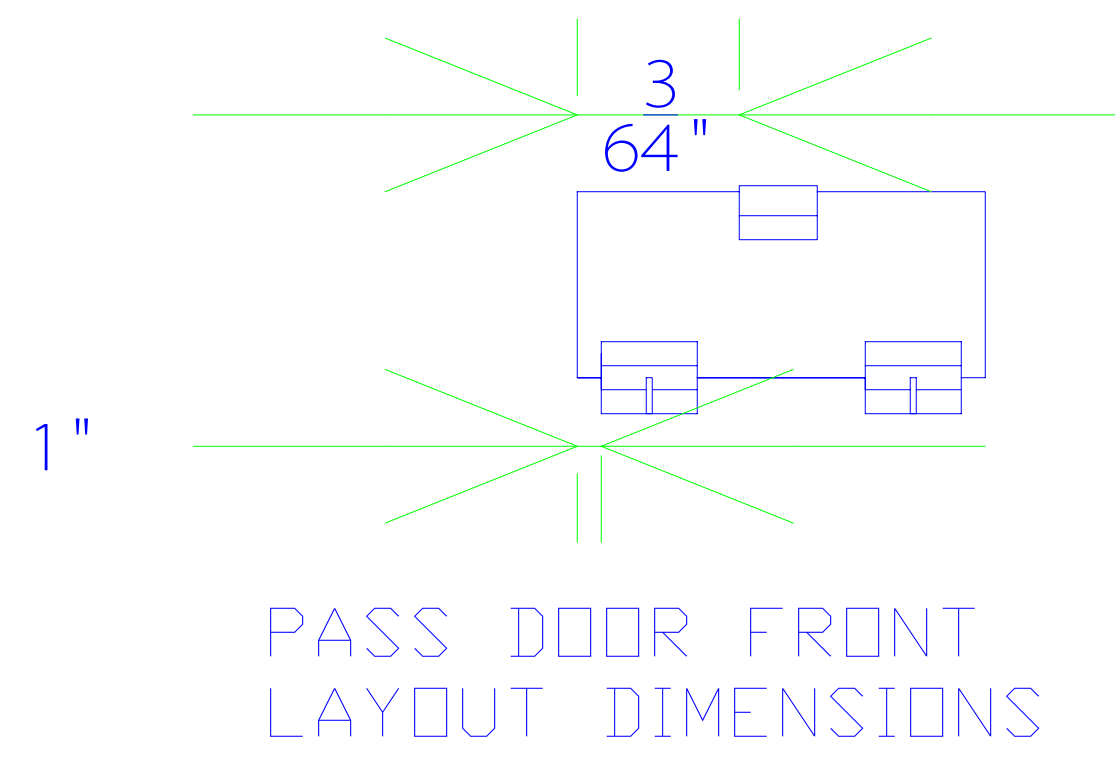


PASS DOOR INSIDE LAYOUT DIMENSIONS

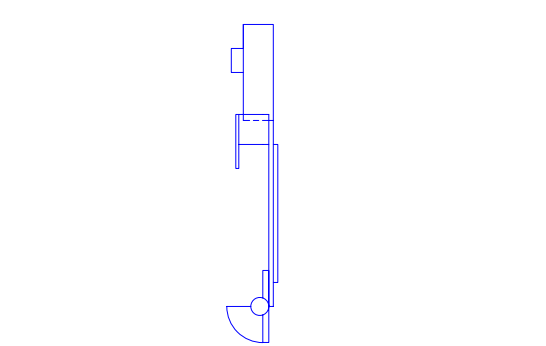


DOOR DETAILS FRONT LAYOUT

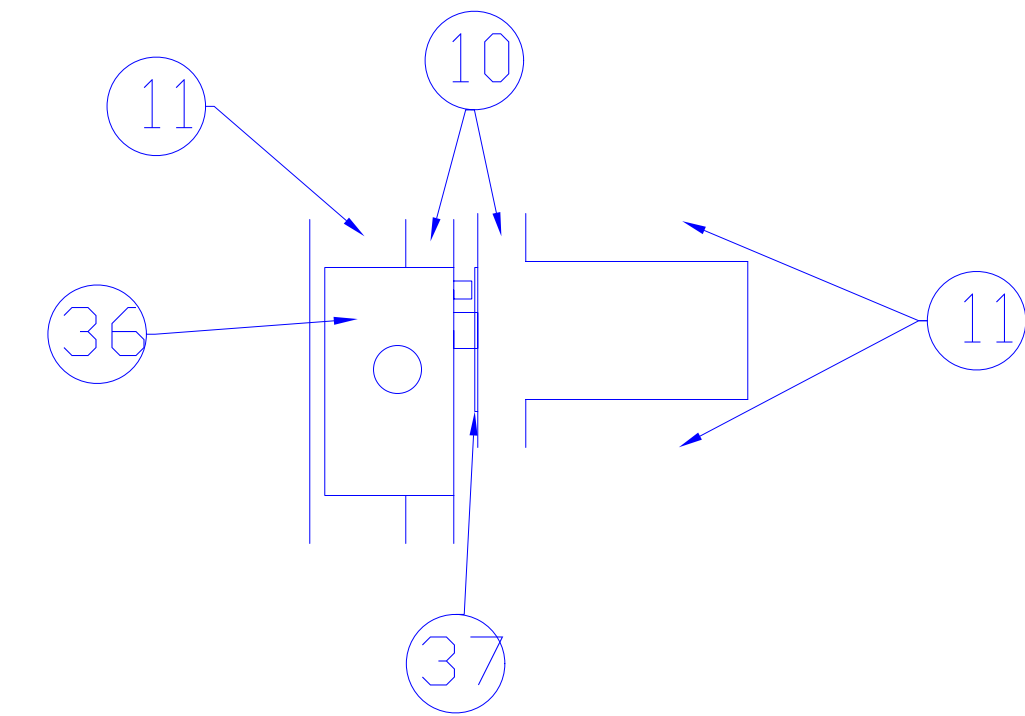
DOOR DETAILS SIDE LAYOUT



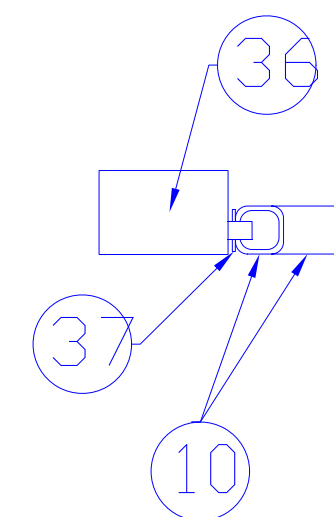
PASS DOOR FRONT LAYOUT DIMENSIONS



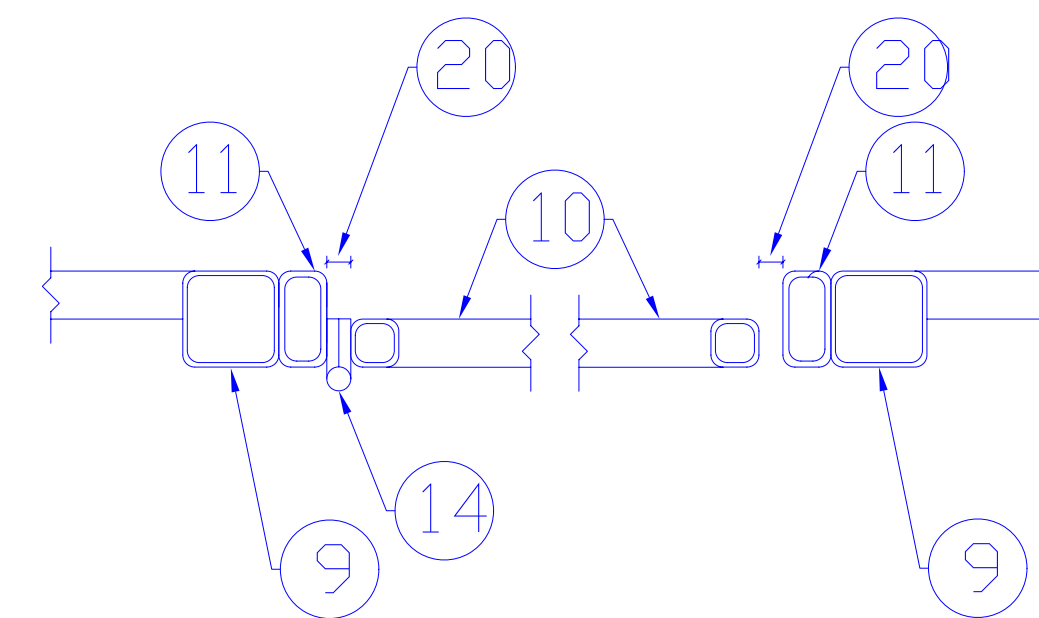
PASS DOOR SIDE LAYOUT



LOCK ASSEMBLY FRONT LAYOUT



LOCK ASSEMBLY SIDE LAYOUT



DOOR SIDE LAYOUT

DOOR DETAILS METAL CAGE 3
SCALE: 1-1/2" = 1'

SEE DRAWING A1-0 FOR KEY NOTES.

General Notes

No.	Revision/Issue	Date

Firm Name and Address
West Virginia Division of Corrections
1409 Greenbrier Street
Charleston, WV 25311

Project Name and Address
Quilliams - Units I an II Recreational Yard Metal Cages Project
Mount Olive Correctional Complex
1 Mountside Way
Mount Olive, WV 25185

Project	CDR61615	Sheet	
Date	JUNE 17, 2013		A4-1A
Scale	1-1/2" = 1'		