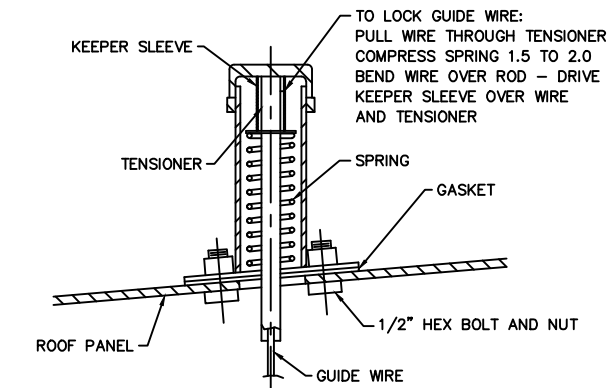
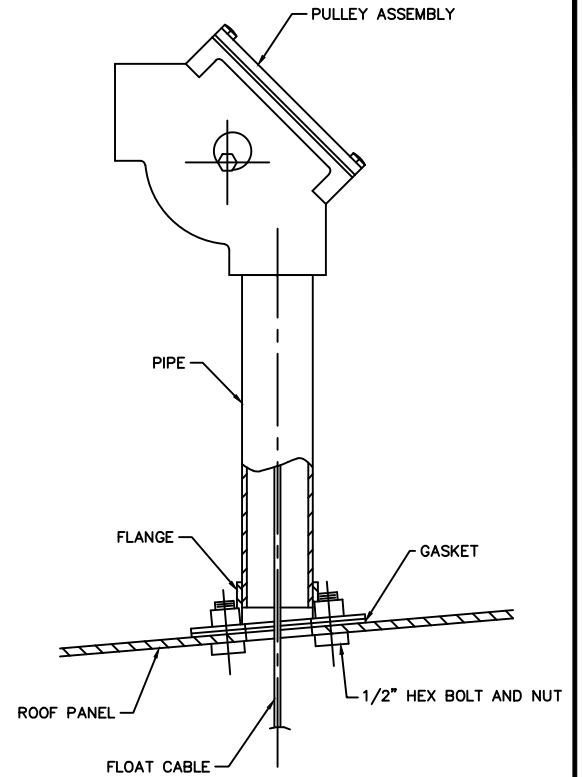


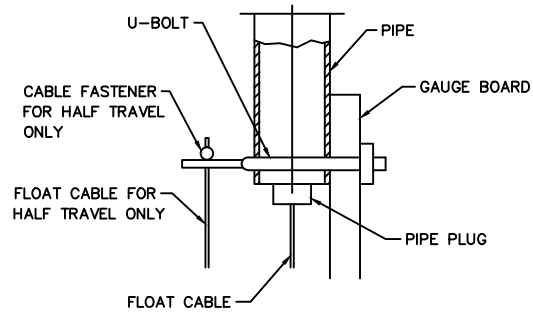
LAYOUT OF INDICATOR HOLES  
DETAIL A



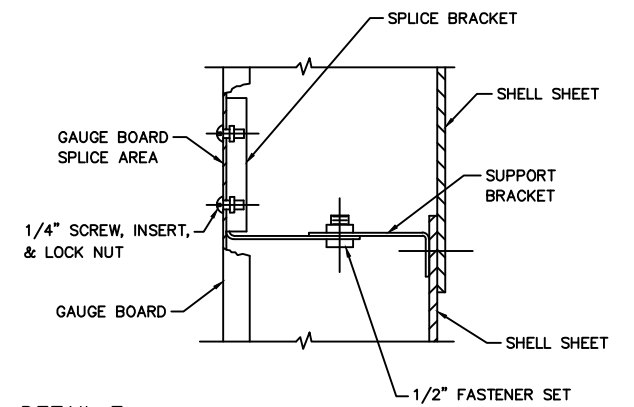
TENSIONER ASSEMBLY  
DETAIL B



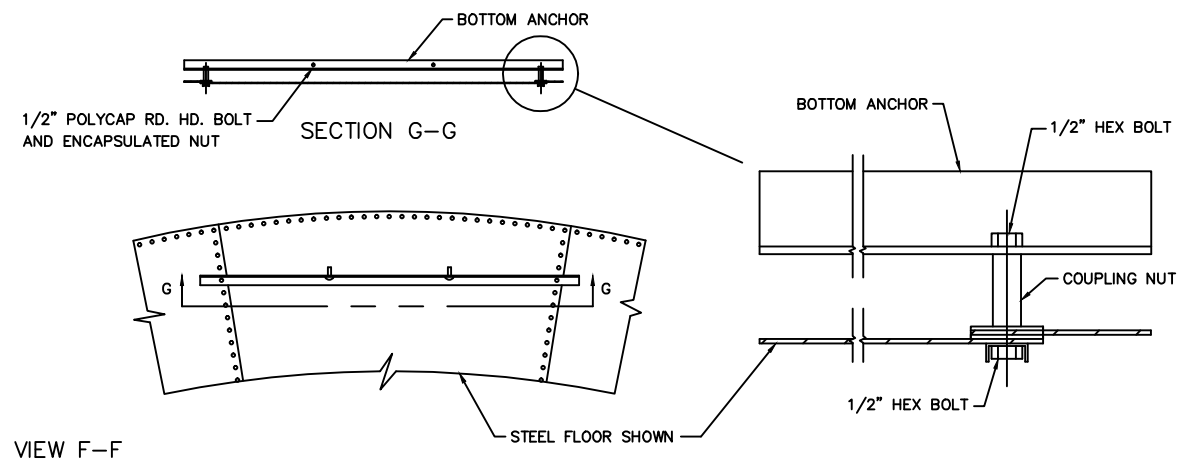
DETAIL C



DETAIL D



DETAIL E



**DENMAR CORRECTIONAL FACILITY**  
**POCAHONTAS COUNTY, WEST VIRGINIA**

**LIQUID LEVEL INDICATOR DETAILS**

NOT TO SCALE

DATE: AUG. 2013

S & S ENGINEERS, INC.  
501 EAGLE MTN. ROAD  
CHARLESTON, WEST VIRGINIA

