



**SOLICITATION NUMBER: COR61512**  
**Addendum Number: 2**

---

The purpose of this addendum is to modify the solicitation identified as COR61512 (“Solicitation”) to reflect the change(s) identified and described below.

**Applicable Addendum Category:**

- Modify bid opening date and time
- Modify specifications of product or service being sought
- Attachment of vendor questions and responses
- Attachment of pre-bid sign-in sheet
- Correction of error
- Other

**Description of Modification to Solicitation:**

1. Vendor questions and responses attached.
2. Drawing entitled “Liquid Level Indicator Details” attached.
3. The bid opening remains 08/22/2013 at 1:30 pm.

**Additional Documentation:** Documentation related to this Addendum (if any) has been included herewith as Attachment A and is specifically incorporated herein by reference.

**Terms and Conditions:**

1. All provisions of the Solicitation and other addenda not modified herein shall remain in full force and effect.
2. Vendor should acknowledge receipt of all addenda issued for this Solicitation by completing an Addendum Acknowledgment, a copy of which is included herewith. Failure to acknowledge addenda may result in bid disqualification. The addendum acknowledgement should be submitted with the bid to expedite document processing.

## ATTACHMENT A

### Questions:

Q1: The existing tanks will need to be cut into pieces in order to move to staging area, is there a certain dimension that these pieces need to be cut?

A1: Contractor to cut the metal pieces of the existing tank to the discretion of the contractor. Please see Clarification C2.

Q2: Are there B&O, City, County, etc. taxes associated with this project?

A2: It will be up to the contractor to contact the necessary representative with the city, county, etc.

Q3: Are there any liquidated damages, if so, how much per day?

A3: Yes, the liquidated damages amount per day is \$750.00.

Q4: Are materials incorporated into the project subject to WV sales tax?

A4: Please refer to Section 23 – Taxes of the General Terms and Conditions in the RFQ.

Q5: Drawing 1 shows a 'spoil storage area'. Will demolition concrete be allowed in the 'spoil storage area'?

A5: Yes.

Q6: If demolition concrete isn't allowed in the 'spoil storage area', does the State have a disposal location and how far from the tank site is the disposal location?

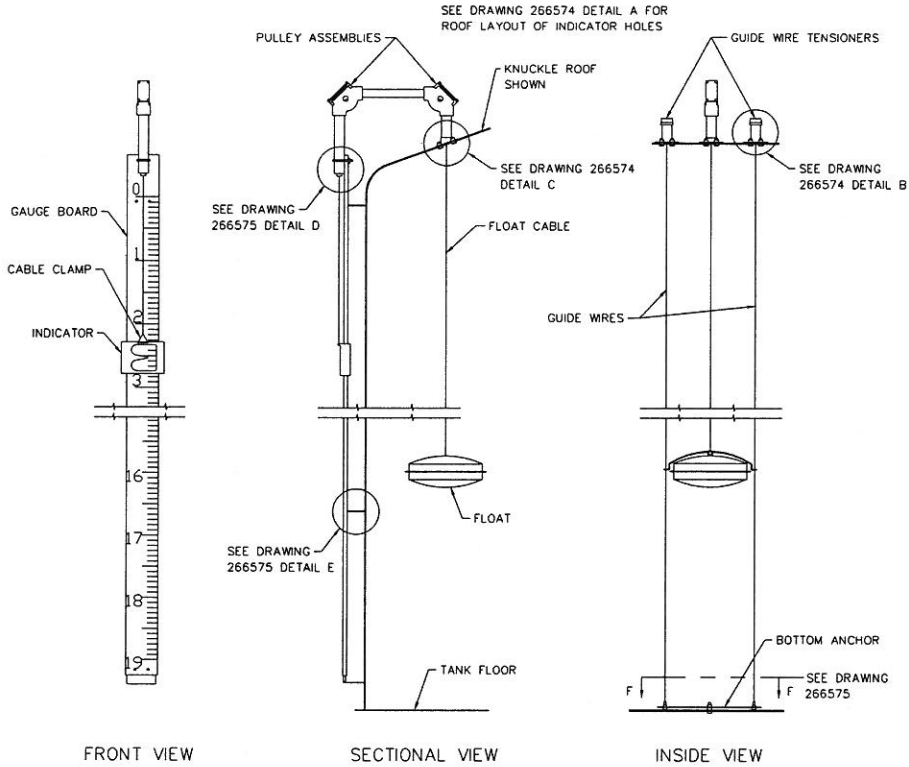
A6: Please see Question 5.

**Clarifications:**

- C1: The liquid level indicator on the new water storage tank has been added. Please see Exhibit #1 for the drawing details.
- C2: It is the responsibility of the contractor to dispose of all the items from the existing metal storage tanks, foundations (other than concrete), pipes, and accessories at no cost of the owner.
- C3: On water storage tank #1, the facility will drain the tank below the areas where the wooden pegs are driven in the metal tank. Contractor must provide and weld metal plates large enough to cover the existing holes in the metal tank where the wooden pegs are located. This is required to be done before the winter season, this year.

**The bid opening remains August 22, 2013 at 1:30 pm.**

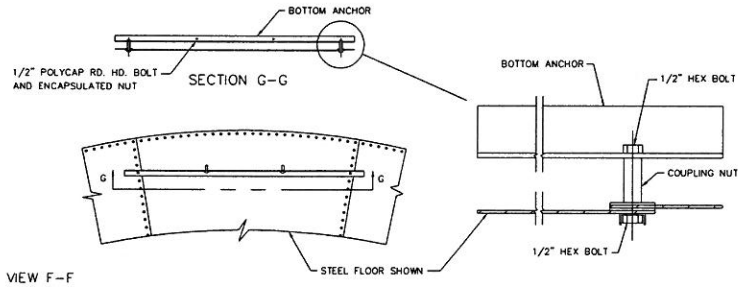
**No additional questions will be accepted on this RFQ.**



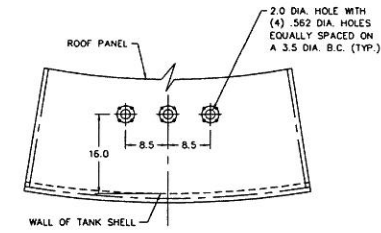
FRONT VIEW

SECTIONAL VIEW

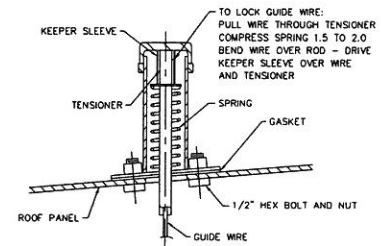
INSIDE VIEW



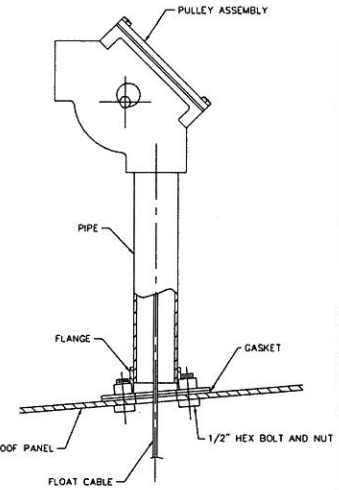
VIEW F-F



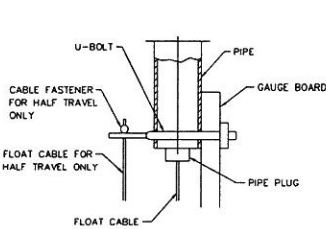
LAYOUT OF INDICATOR HOLES  
DETAIL A



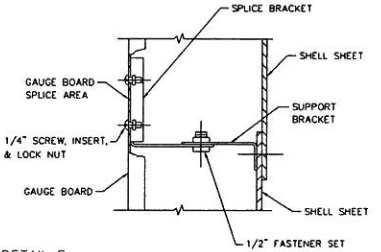
TENSIONER ASSEMBLY  
DETAIL B



DETAIL C



DETAIL D



DETAIL E

DENMAR CORRECTIONAL FACILITY  
POCAHONTAS COUNTY, WEST VIRGINIA

LIQUID LEVEL INDICATOR DETAILS

NOT TO SCALE DATE: AUG. 2013

S & S ENGINEERS, INC.  
501 EAGLE MTN. ROAD  
CHARLESTON, WEST VIRGINIA



**ADDENDUM ACKNOWLEDGEMENT FORM**  
**SOLICITATION NO.: COR61512**

**Instructions:** Please acknowledge receipt of all addenda issued with this solicitation by completing this addendum acknowledgment form. Check the box next to each addendum received and sign below. Failure to acknowledge addenda may result in bid disqualification.

**Acknowledgment:** I hereby acknowledge receipt of the following addenda and have made the necessary revisions to my proposal, plans and/or specification, etc.

**Addendum Numbers Received:**

(Check the box next to each addendum received)

- |   |  |
|---|--|
| <input type="checkbox"/> Addendum No. 1 | <input type="checkbox"/> Addendum No. 6  |
| <input type="checkbox"/> Addendum No. 2 | <input type="checkbox"/> Addendum No. 7  |
| <input type="checkbox"/> Addendum No. 3 | <input type="checkbox"/> Addendum No. 8  |
| <input type="checkbox"/> Addendum No. 4 | <input type="checkbox"/> Addendum No. 9  |
| <input type="checkbox"/> Addendum No. 5 | <input type="checkbox"/> Addendum No. 10 |

I understand that failure to confirm the receipt of addenda may be cause for rejection of this bid. I further understand that that any verbal representation made or assumed to be made during any oral discussion held between Vendor's representatives and any state personnel is not binding. Only the information issued in writing and added to the specifications by an official addendum is binding.

---

Company

---

Authorized Signature

---

Date

NOTE: This addendum acknowledgment should be submitted with the bid to expedite document processing.