



State of West Virginia
 Department of Administration
 Purchasing Division
 2019 Washington Street East
 Post Office Box 50130
 Charleston, WV 25305-0130

Solicitation

NUMBER
AGR1419

PAGE
1

ADDRESS CORRESPONDENCE TO ATTENTION OF:
DEAN WINGERD 304-558-0468

RFQ COPY

TYPE NAME/ADDRESS HERE

VENDOR

SHIP TO

DEPARTMENT OF AGRICULTURE
 GEN. JOHN MCCAUSLAND MEM. FARM
 13280 KANAWHA VALLEY RD
 HENDERSON, WV
 25106-9801 304-558-2221

DATE PRINTED
04/04/2014

BID OPENING DATE: 04/22/2014

BID OPENING TIME 1:30PM

LINE	QUANTITY	UOP	CAT NO.	ITEM NUMBER	UNIT PRICE	AMOUNT
				ADDENDUM NO. 1		
				ADDENDUM IS ISSUED:		
				1. TO PROVIDE DRAWINGS RELATED TO THIS PROJECT WHICH WERE OMITTED FROM THE ORIGINAL SOLICITATION. 7 DRAWINGS ARE ATTACHED.		
				2. TO PROVIDE ADDENDUM ACKNOWLEDGMENT. THIS DOCUMENT SHOULD BE SIGNED AND RETURNED WITH YOUR BID. FAILURE TO SIGN AND RETURN MAY RESULT IN THE DISQUALIFICATION OF YOUR BID.		
				***** END OF ADDENDUM NO. 1 *****		

SIGNATURE	TELEPHONE	DATE
TITLE	FEIN	ADDRESS CHANGES TO BE NOTED ABOVE

WHEN RESPONDING TO SOLICITATION, INSERT NAME AND ADDRESS IN SPACE ABOVE LABELED 'VENDOR'

SOLICITATION NUMBER: AGR1419
Addendum Number: 1

The purpose of this addendum is to modify the solicitation identified as (“Solicitation”) to reflect the change(s) identified and described below.

Applicable Addendum Category:

- Modify bid opening date and time
- Modify specifications of product or service being sought
- Attachment of vendor questions and responses
- Attachment of pre-bid sign-in sheet
- Correction of error
- Other

Description of Modification to Solicitation:

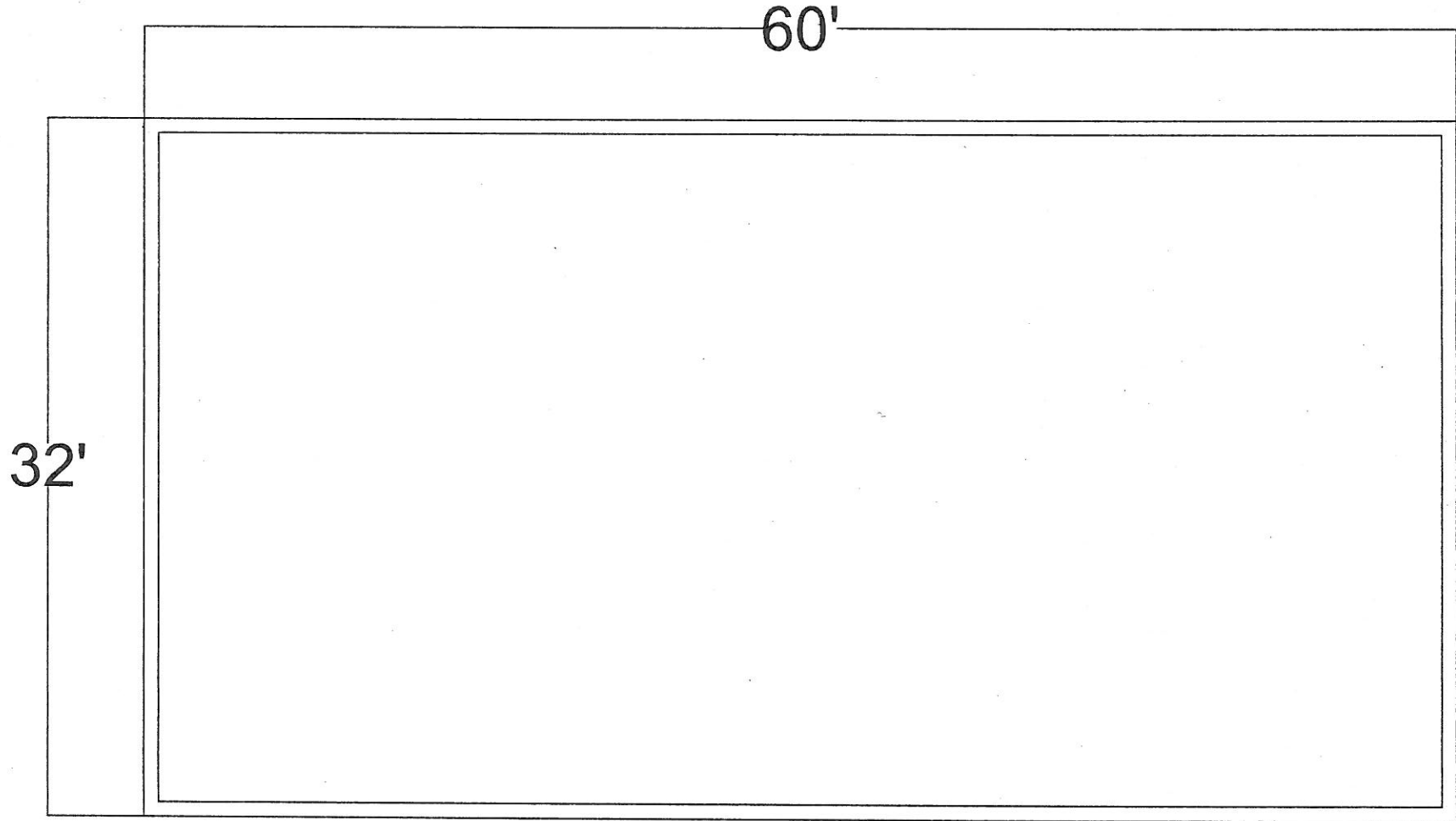
1. To provide drawings regarding the project that were omitted from the original RFQ.
2. To provide Addendum Acknowledgment form.

Additional Documentation: Documentation related to this Addendum (if any) has been included herewith as Attachment A and is specifically incorporated herein by reference.

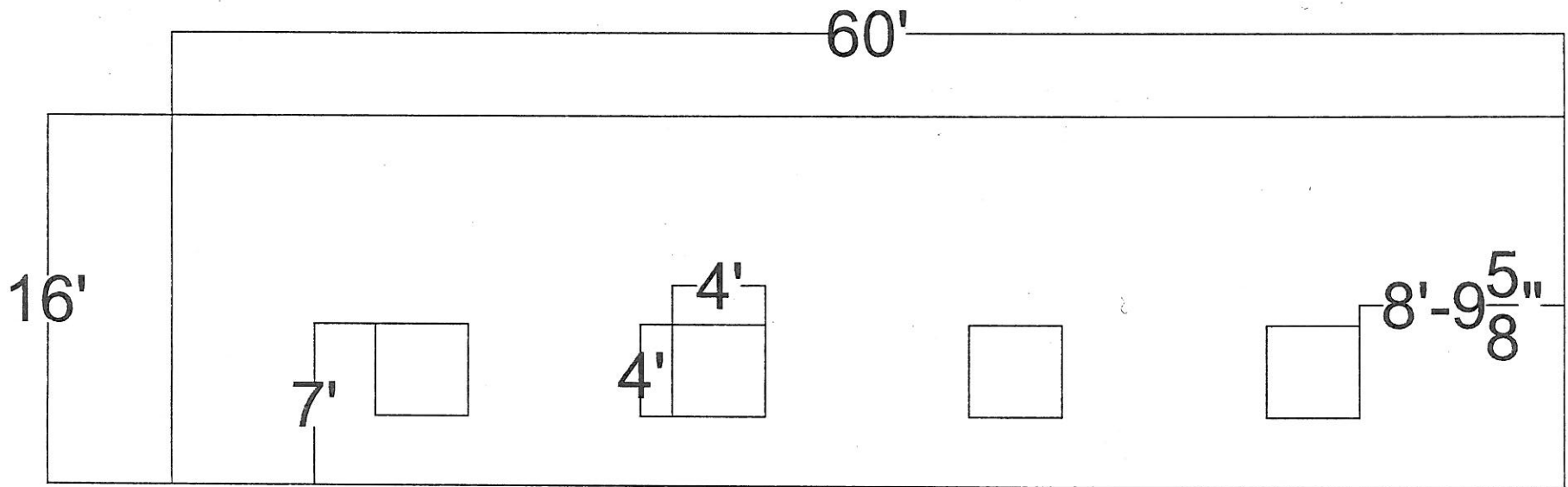
Terms and Conditions:

1. All provisions of the Solicitation and other addenda not modified herein shall remain in full force and effect.
2. Vendor should acknowledge receipt of all addenda issued for this Solicitation by completing an Addendum Acknowledgment, a copy of which is included herewith. Failure to acknowledge addenda may result in bid disqualification. The addendum acknowledgement should be submitted with the bid to expedite document processing.

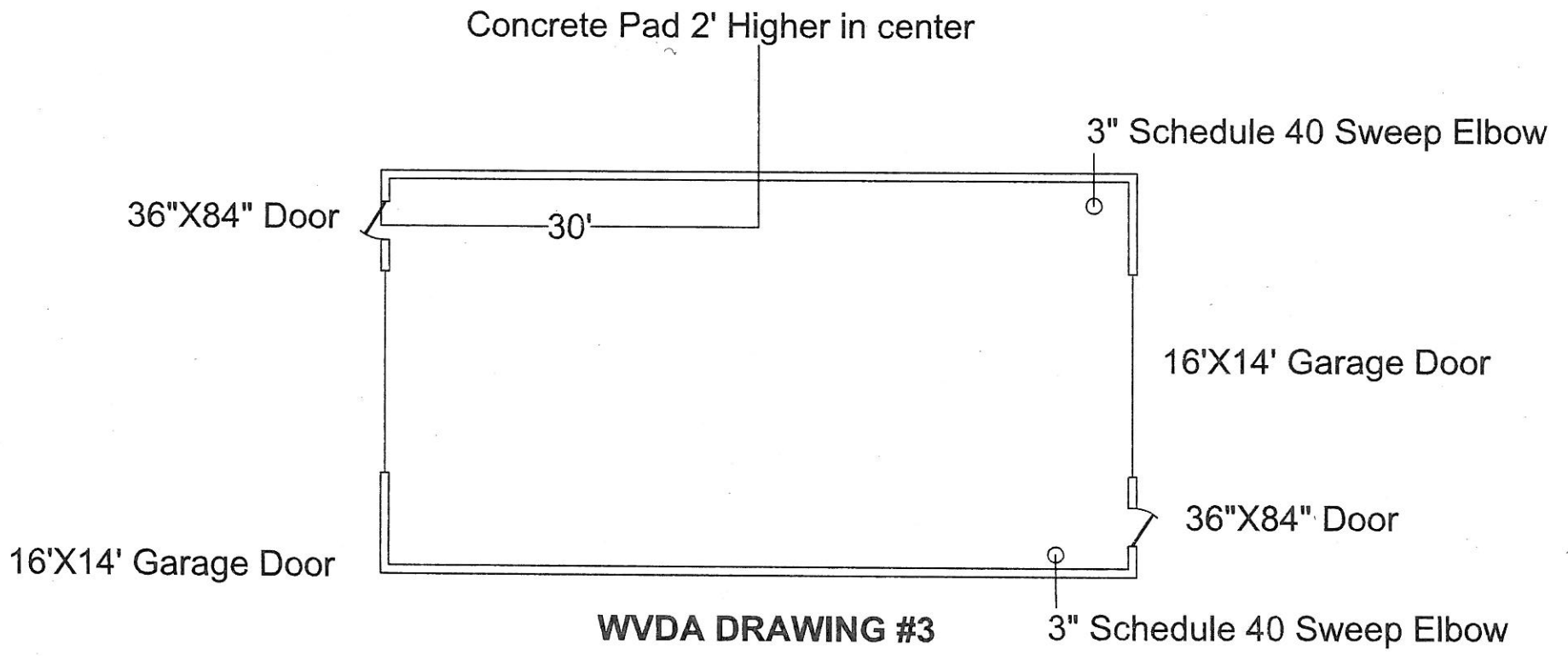
ATTACHMENT A



WVDA DRAWING #1



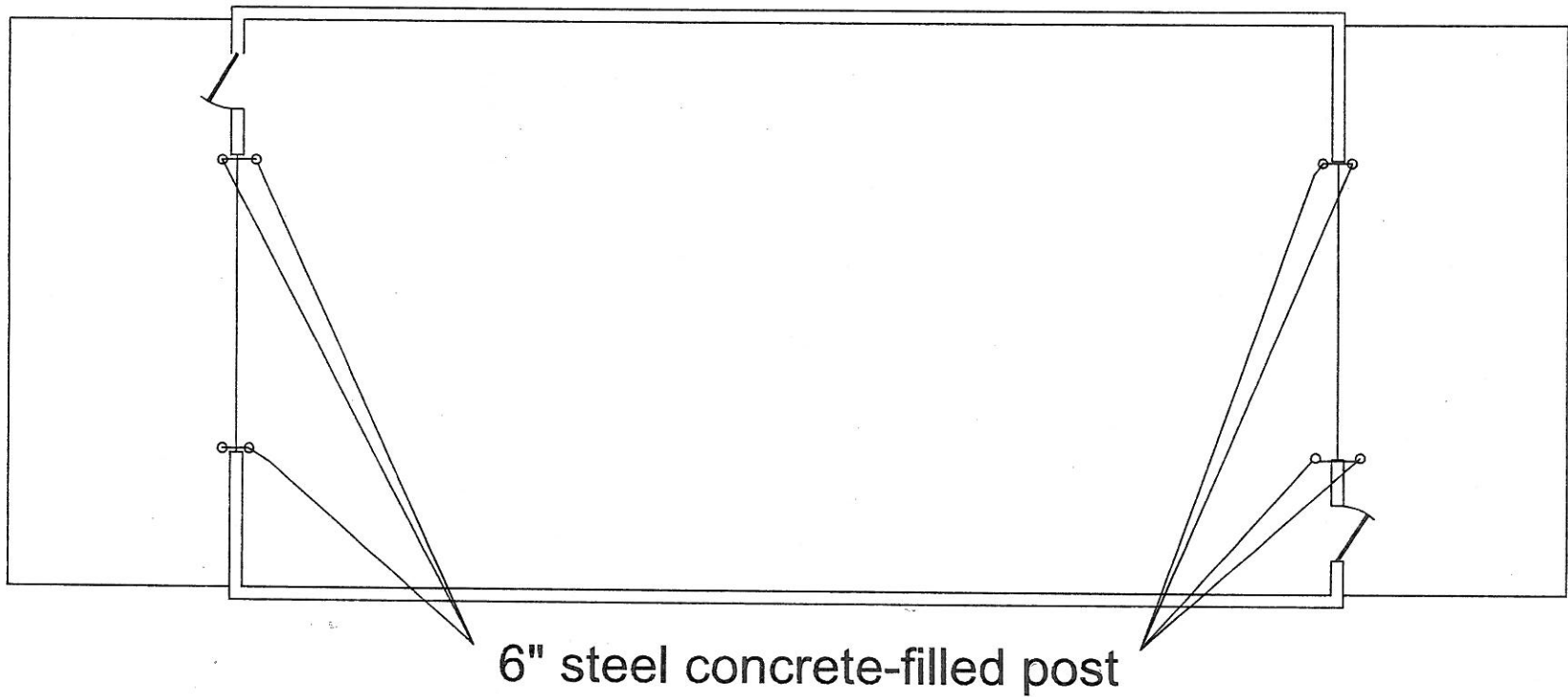
WVDA DRAWING #2



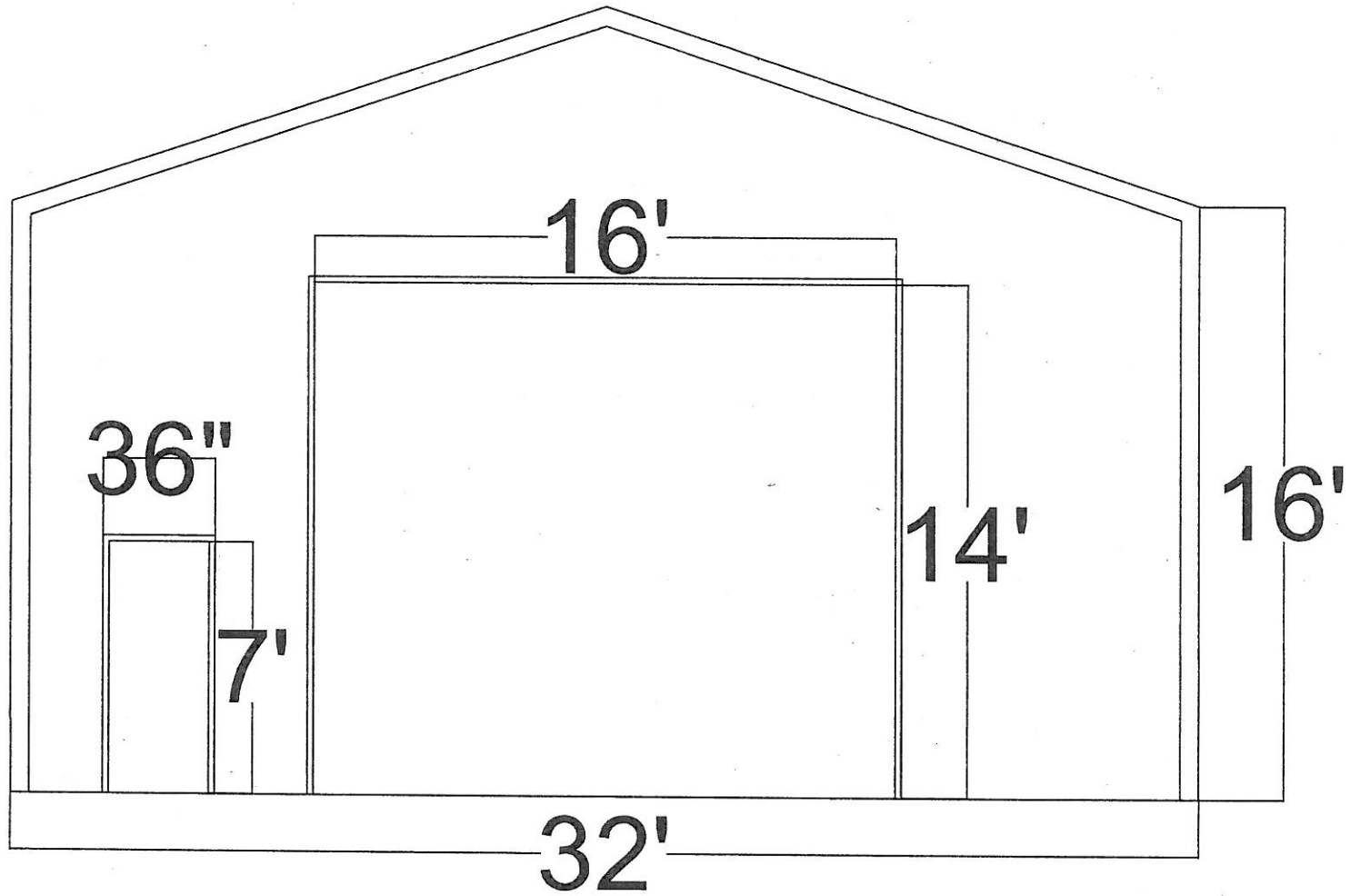
WVDA DRAWING #3

7

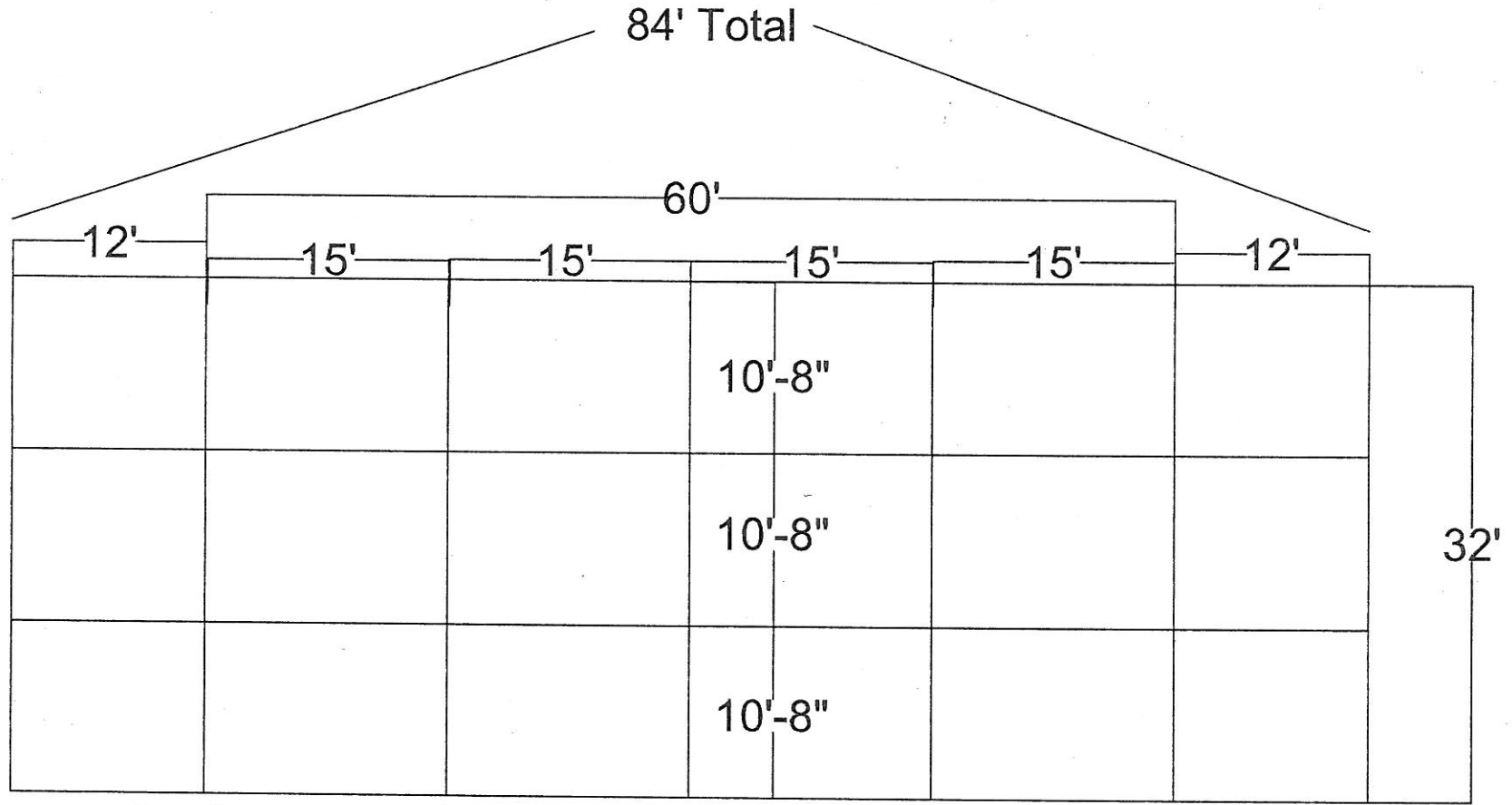
Concrete Slab extended 12' on each end of Building



WVDA DRAWING #4



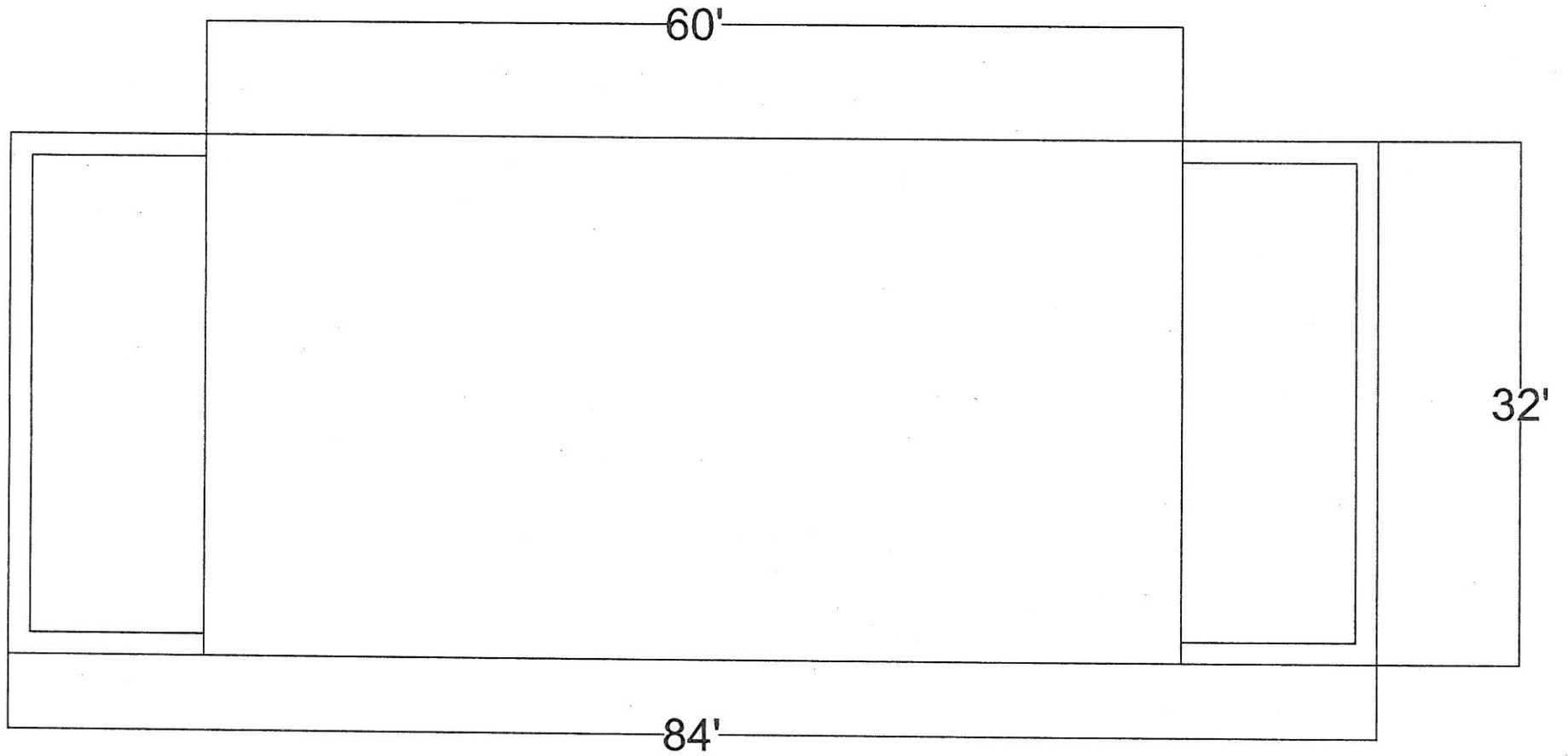
WVDA DRAWING #5



Concrete Pad with expansion joints

Exterior aprons with air entrainment

WVDA DRAWING #6



WVDA DRAWING #7 Slab

ADDENDUM ACKNOWLEDGEMENT FORM
SOLICITATION NO.: AGR1419

Instructions: Please acknowledge receipt of all addenda issued with this solicitation by completing this addendum acknowledgment form. Check the box next to each addendum received and sign below. Failure to acknowledge addenda may result in bid disqualification.

Acknowledgment: I hereby acknowledge receipt of the following addenda and have made the necessary revisions to my proposal, plans and/or specification, etc.

Addendum Numbers Received:

(Check the box next to each addendum received)

- | | |
|---|--|
| <input type="checkbox"/> Addendum No. 1

<input type="checkbox"/> Addendum No. 2

<input type="checkbox"/> Addendum No. 3

<input type="checkbox"/> Addendum No. 4

<input type="checkbox"/> Addendum No. 5 | <input type="checkbox"/> Addendum No. 6

<input type="checkbox"/> Addendum No. 7

<input type="checkbox"/> Addendum No. 8

<input type="checkbox"/> Addendum No. 9

<input type="checkbox"/> Addendum No. 10 |
|---|--|

I understand that failure to confirm the receipt of addenda may be cause for rejection of this bid. I further understand that any verbal representation made or assumed to be made during any oral discussion held between Vendor's representatives and any state personnel is not binding. Only the information issued in writing and added to the specifications by an official addendum is binding.

Company

Authorized Signature

Date

NOTE: This addendum acknowledgement should be submitted with the bid to expedite document processing.
 Revised 6/8/2012