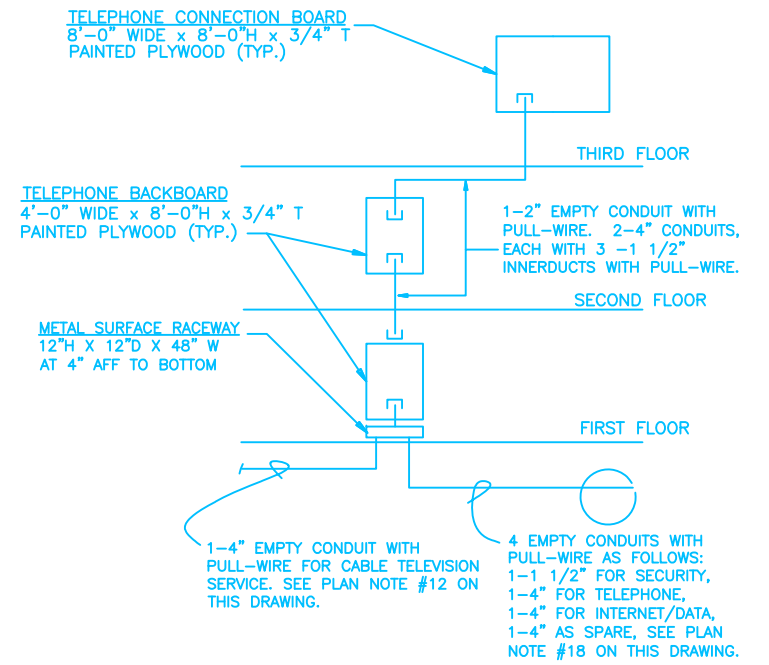
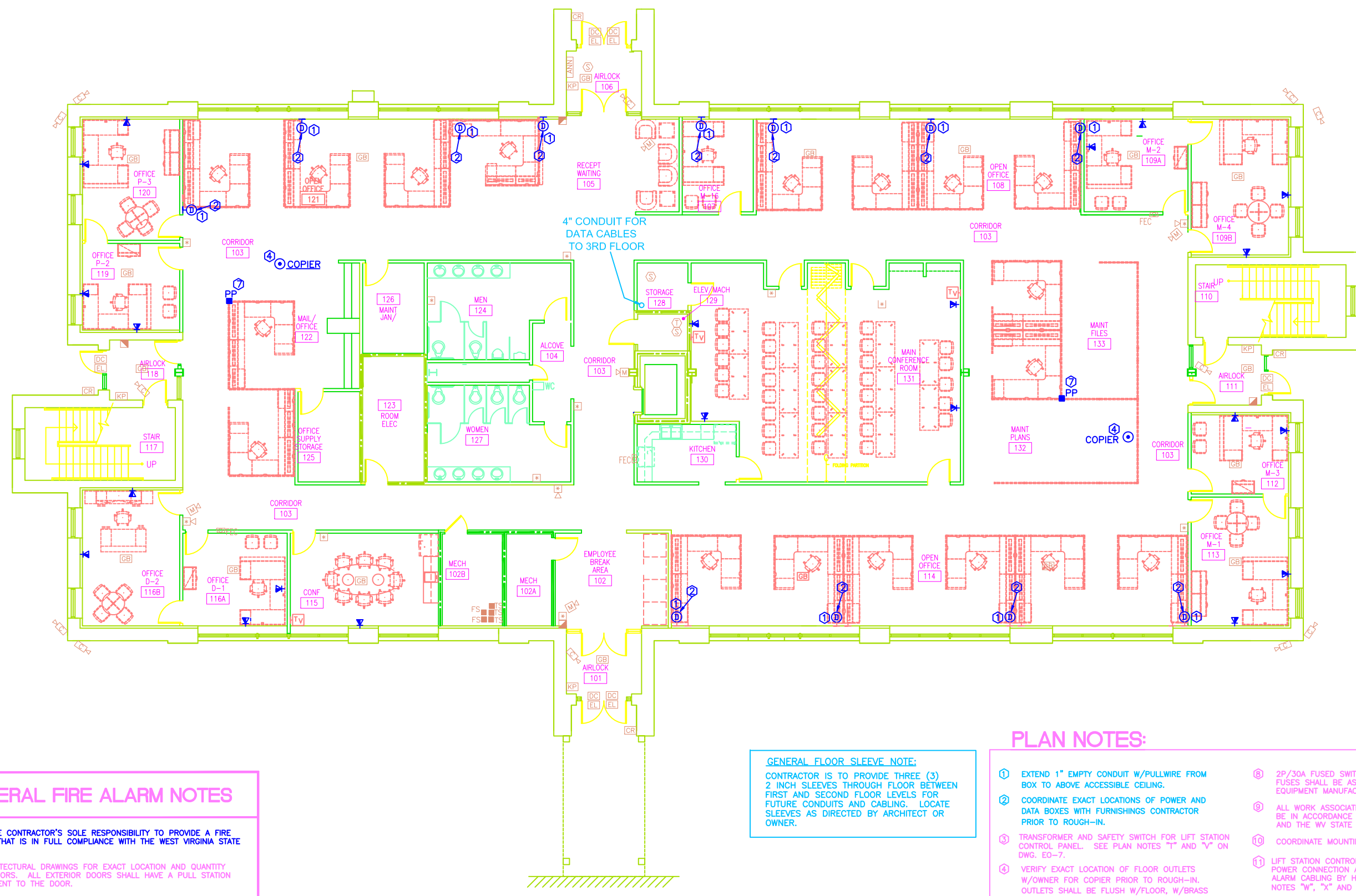


DOT-DOH-District 1 HQ Building

FIRST FLOOR

FEDERAL PROJECT NO.	STATE PROJECT NO.	STATE DIST. NO.	COUNTY	SHEET NO.	TOTAL SHEETS
0202-HDQ/6	02	01	KANAWHA	47	52

SYMBOL	DESCRIPTION
	FLOUORESCENT LIGHT FIXTURE, LETTER DENOTES TYPE
	STRIP OR INDUSTRIAL FLOUORESCENT LIGHTING FIXTURE
	FLOUORESCENT LIGHTING FIXTURE W/EMERG. BATTERY PACK
	WALL MTD. LIGHT FIXTURE
	EXIT LIGHT, SHADED SIDE DENOTES FACE
	WALL MOUNTED EXIT LIGHT
	COMPACT FLOUORESCENT OR HID LIGHTING FIXTURE
	EMERGENCY LIGHT SET
	SINGLE POLE SNAP SWITCH
	THREE-WAY SNAP SWITCH
	FOUR-WAY SNAP SWITCH
	MANUAL MOTOR STARTER W/THERMAL OVERLOAD
	MANUAL MOTOR STARTER
	DUAL SWITCHING
	COMBINATION TELEPHONE/DATA OUTLET, SINGLE GANG BOX W/ FLUSH BLANK COVER PLATE, EXTEND 3/4" EMPTY CONDUIT W/PULL WIRE FROM BOX TO ABOVE ACCESSIBLE CEILING.
	SPECIAL PURPOSE OUTLET
	QUADRUPEX CONVENIENCE OUTLET
	DUPLEX CONVENIENCE OUTLET
	MOTOR CONNECT
	JUNCTION BOX
	ELECTRIC WATER COOLER
	GROUND FAULT CIRCUIT INTERRUPTER
	TELEVISION OUTLET FOR CABLE SYSTEM, WALL MOUNTED, SEE DETAIL.
	MOTOR OPERATED DAMPER
	WEATHERPROOF
	FLOW SWITCH - FIRE ALARM SYSTEM CONNECTION
	TAMPER SWITCH - FIRE ALARM SYSTEM CONNECTION
	ELECTRICAL PANELBOARD
	COMBINATION STARTER/FUSED DISCONNECT
	MECHANICAL EQUIPMENT DESIGNATION NOTATION
	FUSED SAFETY SWITCH (NF - NON-FUSED)
	FIRE ALARM SYSTEM - THERMAL DETECTOR
	FIRE ALARM SYSTEM - CEILING MOUNTED SMOKE DETECTOR
	DUCT MOUNTED SMOKE DETECTOR
	FIRE ALARM SYSTEM - MANUAL PULL STATION
	FIRE ALARM SYSTEM - VISUAL ALARM INDICATING DEVICE +80"
	COMBINATION AUDIBLE/VISUAL (STROBE) FIRE ALARM SIGNAL.
	PLAN NOTE
	FIRE ALARM CONTROL PANEL
	SINGLE GANG OUTLET BOX FOR TELEPHONE/DATA WIRING
	RANGE HOOD FIRE SUPPRESSION CONTACT
	POWER MODULE FOR VAV DIFFUSERS
	INTRUSION DETECTION/ACCESS CONTROL-DOOR CONTACT SWITCH
	ACCESS CONTROL ELECTRIC DOOR LOCK
	INTRUSION DETECTION ACCESS KEYPAD
	ACCESS CONTROL CARD READER
	INTRUSION DETECTION GLASS BREAK DETECTOR
	INTRUSION DETECTION MOTION SENSOR
	SECURITY CONTROL PANEL
	CCTV CAMERA, INTERIOR UNITS ARE CEILING MOUNTED, EXTERIOR UNITS ARE WALL-MOUNTED AT 12'-0" ABOVE FINISH GRADE



GENERAL FIRE ALARM NOTES

- IT SHALL BE THE CONTRACTOR'S SOLE RESPONSIBILITY TO PROVIDE A FIRE ALARM SYSTEM THAT IS IN FULL COMPLIANCE WITH THE WEST VIRGINIA STATE FIRE CODE.
- REFER TO ARCHITECTURAL DRAWINGS FOR EXACT LOCATION AND QUANTITY OF EXTERIOR DOORS. ALL EXTERIOR DOORS SHALL HAVE A PULL STATION MOUNTED ADJACENT TO THE DOOR.
- REFER TO PLUMBING DRAWINGS FOR EXACT LOCATION AND QUANTITY OF SPRINKLER FLOW SWITCHES AND VALVE TAMPER SWITCHES. EACH SPRINKLER ZONE SHALL BE SEPARATELY ANNUNCIATED AT THE FIRE ALARM PANEL AND THE ANNUNCIATOR.
- REFER TO HVAC DRAWINGS FOR EXACT LOCATION AND QUANTITY OF AIR HANDLING UNITS > 2000 CFM AND < 15,000 CFM. PROVIDE A DUCT SMOKE DETECTOR IN THE RETURN AIR DUCT OF EACH UNIT > 2000 CFM AND < 15,000 CFM. EACH AIR HANDLER DUCT SMOKE DETECTOR SHALL BE SEPARATELY ANNUNCIATED BY THE FIRE ALARM PANEL AND THE ANNUNCIATOR. PROVIDE REMOTE LED INDICATOR AT CEILING BELOW EACH DETECTOR.
- REFER TO ELECTRICAL DRAWINGS FOR EXACT LOCATION AND QUANTITY OF ELECTRICAL PANELS. PROVIDE A SMOKE DETECTOR AT EACH LOCATION.
- REFER TO REFLECTED CEILING PLAN AND HVAC PLANS FOR COORDINATION OF CEILING SMOKE DETECTORS.
- CONNECT EACH KITCHEN HOOD EXTINGUISHING SYSTEM TO SEPARATE FIRE ALARM ZONE. CONNECT COOKING EQUIPMENT GAS SOLENOIDS AND SHUNT TRIP BREAKERS TO FIRE ALARM SYSTEM.
- CEILING MOUNTED SMOKE DETECTORS SHALL BE LOCATED A MINIMUM OF 36" FROM PERIMETER OF SUPPLY DIFFUSERS OR RETURN AIR OPENINGS.
- SUPPLY 120 VOLT CONNECTION AS REQUIRED AT ALL SYSTEMS EQUIPMENT.
- PROVIDE A COMPLETE ELEVATOR RECALL SYSTEM IN ACCORDANCE WITH ASME A17.1 AND THE WEST VIRGINIA STATE FIRE CODE.
- STROBE LOCATIONS SHOWN ON DRAWINGS IS FOR ILLUSTRATION ONLY. FIELD VERIFY EXACT MOUNTING LOCATION.

GENERAL FLOOR SLEEVE NOTE:
CONTRACTOR IS TO PROVIDE THREE (3) 2 INCH SLEEVES THROUGH FLOOR BETWEEN FIRST AND SECOND FLOOR LEVELS FOR FUTURE CONDUITS AND CABLING. LOCATE SLEEVES AS DIRECTED BY ARCHITECT OR OWNER.

FIRST FLOOR POWER PLAN
SCALE: 1/8" = 1'-0"

- PLAN NOTES:**
- EXTEND 1" EMPTY CONDUIT W/PULLWIRE FROM BOX TO ABOVE ACCESSIBLE CEILING.
 - COORDINATE EXACT LOCATIONS OF POWER AND DATA BOXES WITH FURNISHINGS CONTRACTOR PRIOR TO ROUGH-IN.
 - TRANSFORMER AND SAFETY SWITCH FOR LIFT STATION CONTROL PANEL. SEE PLAN NOTES "T" AND "V" ON DWG. ED-7.
 - VERIFY EXACT LOCATION OF FLOOR OUTLETS W/OWNER FOR COPIER PRIOR TO ROUGH-IN. OUTLETS SHALL BE FLUSH W/FLOOR, W/BRASS FACE PLATE.
 - 3P/80 AMP FUSED SWITCH IN NEMA-3R ENCLOSURE. FUSES SHALL BE AS RECOMMENDED BY EQUIPMENT MANUFACTURER.
 - 3P/30 AMP FUSED SAFETY SWITCH IN NEMA-3R ENCLOSURE. FUSES SHALL BE AS RECOMMENDED BY EQUIPMENT MANUFACTURER.
 - POWER POLE SHALL BE WIREMOLD #30TP4V SERIES. POLE SHALL COME W/POWER AND DATA FEED OPENINGS. VERIFY EXACT CONFIGURATION OF POLE W/OWNER PRIOR TO ORDERING. POWER POLE SHALL COME W/ALL NECESSARY MOUNTING ACCESSORIES.
 - 2P/30A FUSED SWITCH IN NEMA-3R ENCLOSURE. FUSES SHALL BE AS RECOMMENDED BY EQUIPMENT MANUFACTURER.
 - ALL WORK ASSOCIATED WITH THE ELEVATOR MUST BE IN ACCORDANCE WITH THE ELEVATOR CODE AND THE WV STATE FIRE MARSHAL.
 - COORDINATE MOUNTING HEIGHT WITH CASEWORK.
 - LIFT STATION CONTROL PANEL BY SRC CONTRACTOR. POWER CONNECTION AND CONDUIT FOR FUTURE ALARM CABLING BY HQ CONTRACTOR. SEE PLAN NOTES "W", "X" AND "Y" ON DWG. ED-7.
 - PROVIDE CONDUIT FOR CABLE TELEVISION SERVICE. SEE SITE UTILITY DRAWING "SU-1" FOR DETAILS.
 - SEE ELECTRICAL RISER DIAGRAM ON DRAWING ED-7 AND SITE UTILITY PLAN ON DWG. "SU-1" EXTEND CABLES AND CONDUITS AS SHOWN FROM EMERGENCY ENGINE/GENERATOR SET AND TRANSFER SWITCH TO EQUIPMENT IN ROOM #123 AS SHOWN.
 - HVAC UNIT "0-CU-8" SUPPLIES POWER TO HVAC UNIT "0-DU-2". COORDINATE WITH EQUIPMENT SUPPLIER AND MECHANICAL CONTRACTOR FOR ALL REQUIREMENTS AND DETAILS.
 - HVAC UNIT "0-CU-10" SUPPLIES POWER TO HVAC UNIT "0-DU-1". COORDINATE WITH EQUIPMENT SUPPLIER AND MECHANICAL CONTRACTOR FOR ALL REQUIREMENTS AND DETAILS. SEE PLAN NOTE #1 ON DWG. "0-6".
 - PLUMBING CONTRACTOR IS TO SUPPLY TRANSFORMER FOR AUTOMATIC FLUSH VALVES AND FAUCET VALVES. ELECTRICAL CONTRACTOR IS TO RECEIVE TRANSFORMER AND INSTALL ABOVE ACCESSIBLE CEILING WITH ALL WIRING AND CONNECTIONS. THERE IS TO BE NO EXPOSED WIRING. SEE DETAIL IN DRAWING ED-6. ONE TRANSFORMER CAN OPERATE UP TO EIGHT (8) DEVICES. CIRCUIT AS SHOWN.
 - PROVIDE HANDHOLE AND CIRCUIT FOR TEMPORARY RAMP LIGHTING. COORDINATE WITH SRC CONTRACTOR FOR LOCATION AND DETAILS. CONNECT TO CIRCUIT #01A-47.
 - PROVIDE CONDUITS FOR TELECOMMUNICATION SERVICES BETWEEN HQ AND SRC BUILDINGS. SEE SITE UTILITY DRAWING "SU-1" AND TELEPHONE/DATA RISER ON THIS DRAWING FOR DETAILS.
 - PROVIDE ELECTRICAL POWER CONNECTION FOR POWER MIDDLE AND CIRCUIT AS SHOWN. SEE MECHANICAL DRAWINGS FOR DETAILS.

		Clingenpeel/McBroyer & Assoc., Inc. 824 CROSS LANES DRIVE CHARLESTON, WV 25313 PHONE: (304) 343-0318 5 RIDDLE COURT MORFANTOWN, WV 26506 PHONE: (304) 698-2558	COLORIZED	2009/2012	REVISED
			DISTRICT 1 HEADQUARTERS COMPLEX CHARLESTON WEST VIRGINIA FIRST FLOOR POWER PLAN SCALE: 1/8"=1'-0"	E. T. BOGCESS, ARCHITECT, INC. PRINCETON WEST VIRGINIA DATE: 10/17/12 PROJECT NO: 1104 CADD FILE: 1104-AP1 SHEET NO: EO-4	

STATE DIST. NO.	STATE PROJECT NUMBER	FEDERAL PROJECT NUMBER	FISCAL YEAR	COUNTY	SHEET NO.	TOTAL SHEETS
WV	0020-100/6.07	-	2013	KANAWHA	98	108

ELECTRICAL DEMO NOTES

1. ELECTRICAL CONTRACTOR SHALL DISCONNECT AND REMOVE ALL ELECTRICAL WORK NOT INDICATED TO REMAIN. THIS INCLUDES BUT NOT LIMITED TO LIGHTING FIXTURES, RECEPTACLES, PANEL BOARDS, CONDUIT, JUNCTION BOXES AND WIRING. CONTRACTOR SHALL COORDINATE WITH ARCHITECTURAL DRAWINGS AND VISIT THE SITE PRIOR TO BIDDING, DETERMINE EXISTING CONDITIONS, EXTENT OF REMOVAL WORK AND MAKE ALLOWANCE FOR SUCH WORK.

NOTES:

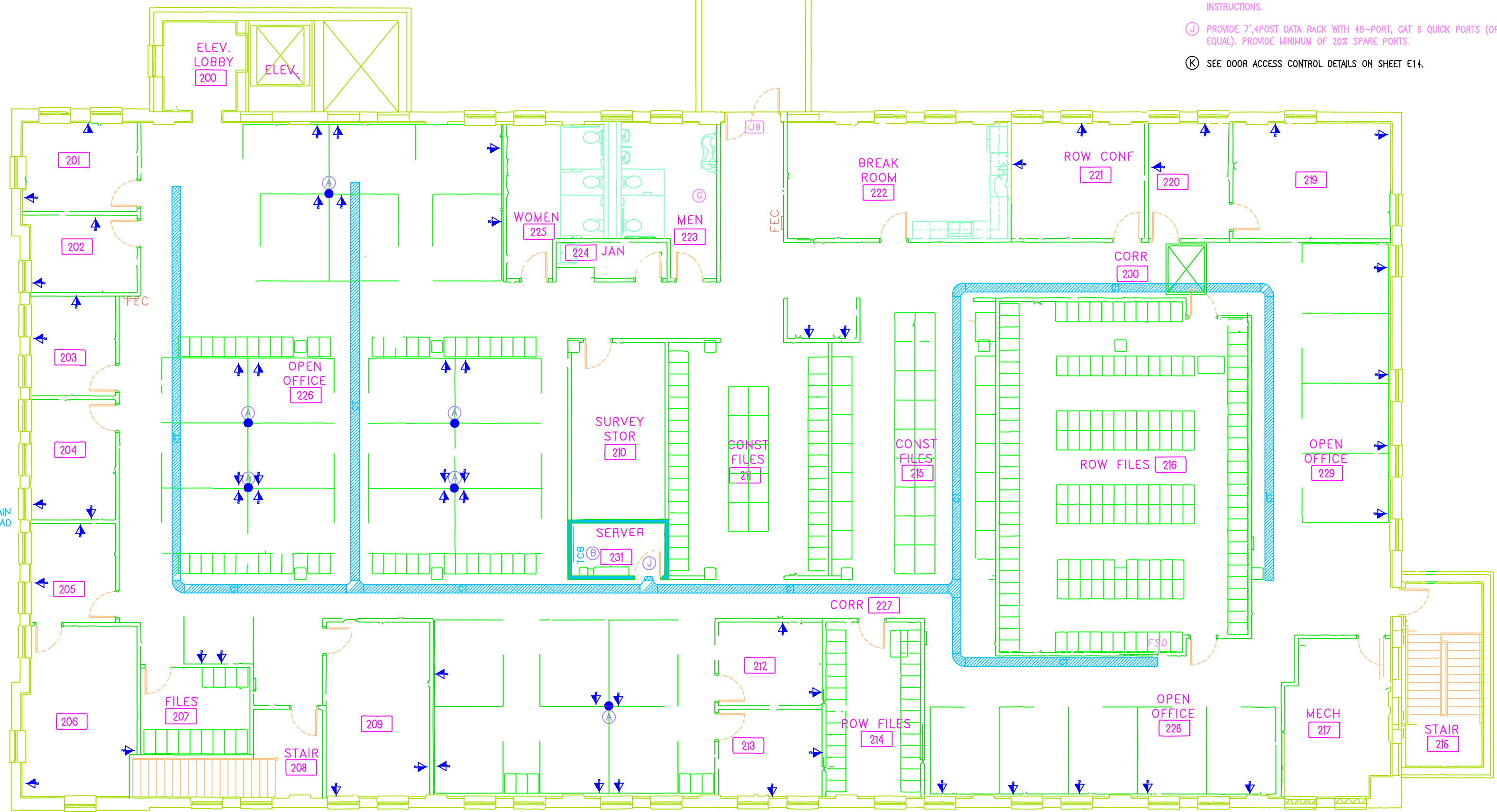
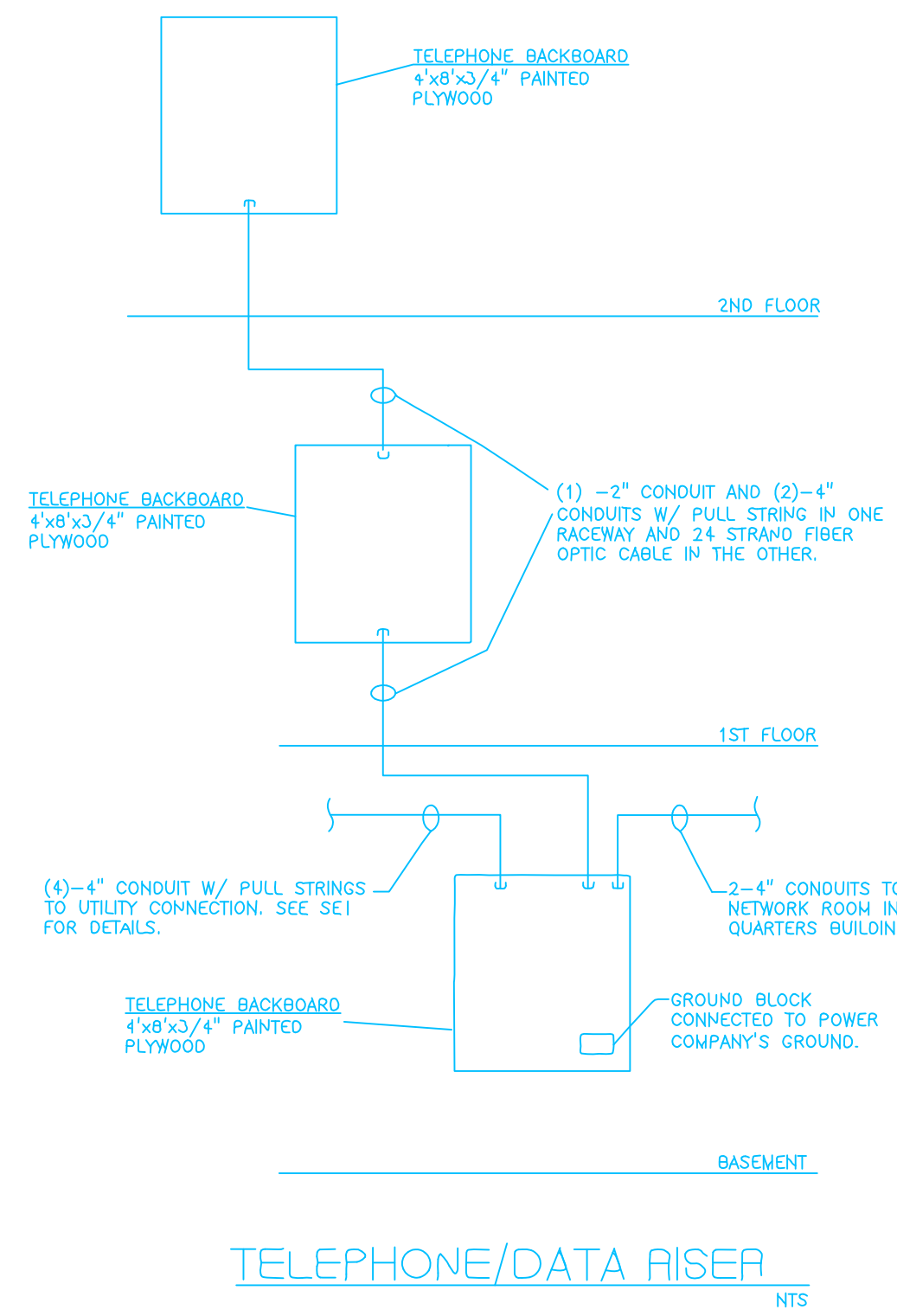
1. CABLE TRAY SHALL BE MINIMUM OF 12"x6".
2. RECEPTACLES IN EXISTING WALLS SHALL USE SHALLOW OUTLET BOXES.

PLAN NOTES:

- (A) PROVIDE TELE-POWER POLE SYSTEM (WIRESHOLD J07P-4V OR EQUAL) FROM CUBICLE WALL TO CEILING.
- (B) SEE TELEPHONE/DATA RISER ON THIS SHEET.
- (C) RANGE HOOD.
- (D) RECEPTACLE FOR RANGE.
- (E) RECEPTACLE FOR MICROWAVE.
- (F) TRANSFORMER ABOVE CEILING FOR FLUSH VALVES AND FAUCETS. ELECTRICAL CONTRACTOR TO INSTALL ALL WIRING AND MAKE ALL CONNECTIONS. SEE ELECTRONIC FAUCET AND FLUSH VALVE RISER ON SHEET E4. PLUMBING CONTRACTOR TO SUPPLY TRANSFORMER.
- (G) DIRECT CONNECTION FOR ELECTRIC HAND DRYER
- (H) PROVIDE WIRESHOLD FLAMESTOPPER MODEL FS4R-RED OR EQUAL WHERE CABLE TRAY PASSES THRU RATED WALL. INSTALL PER MANUFACTURER'S INSTRUCTIONS.
- (I) PROVIDE 7'-4" POST DATA RACK WITH 48-PORT, CAT 6 QUICK PORTS (OR EQUAL). PROVIDE MINIMUM OF 20% SPARE PORTS.
- (K) SEE DOOR ACCESS CONTROL DETAILS ON SHEET E14.

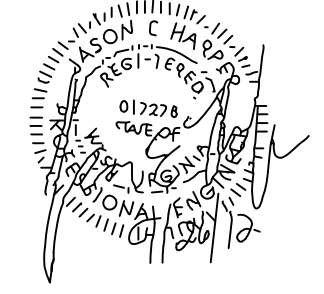
DISTRICT 1 HQ

SKY BRIDGE BY OTHERS



DOT-DOH-District 1
HQ SRC Building
SECOND FLOOR POWER PLAN
SCALE: 1/8"=1'-0"

61 - Drop Locations
122 - Cable Runs



Designed By: JEH
Checked By: JEH
Drawn By: STAFF
Job No.: 12007
Scale: AS NOTED
Date: SEPTEMBER 2012

Crombri Technical Group
REGISTERED PROFESSIONAL ENGINEERS
1000 10th Street, Suite 1000
Martinsburg, WV 26150
304-772-0001

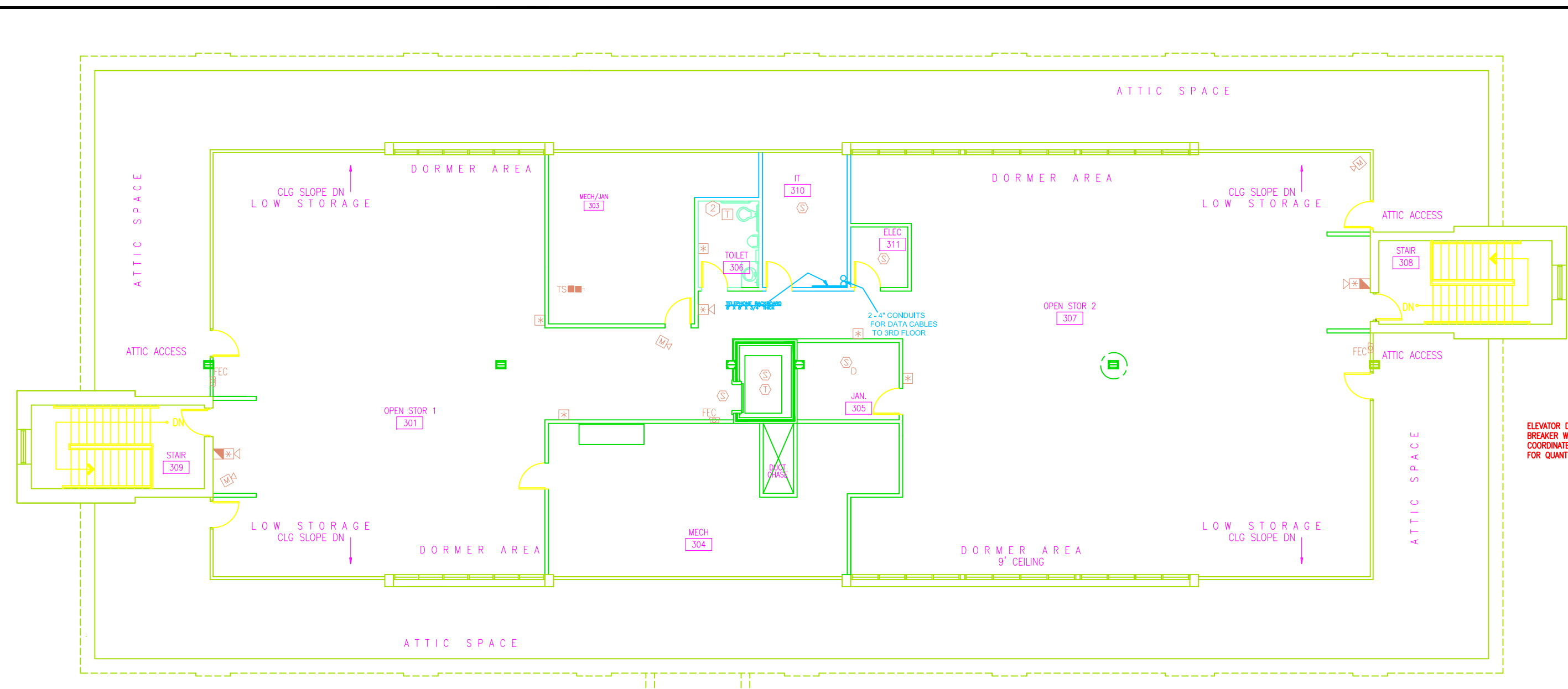
REVISION NUMBER	REVISIONS	DATE	BY

WEST VIRGINIA DEPARTMENT OF TRANSPORTATION
DIVISION OF HIGHWAYS
SRC BUILDING RENOVATIONS
STATE PROJECT TBD

SECOND FLOOR POWER PLAN
SHEET NO. E6

DOT-DOH-District 1 HQ Building THIRD FLOOR

PUBLIC ROADS DIV.	STATE DIST. NO.	STATE PROJECT NO.	FEDERAL PROJECT NO.	FISCAL YEAR	COUNTY	SHEET NO.	TOTAL SHEETS
WV	1	GO20-HDQ/6. 02		2013	KANAWHA	49	52

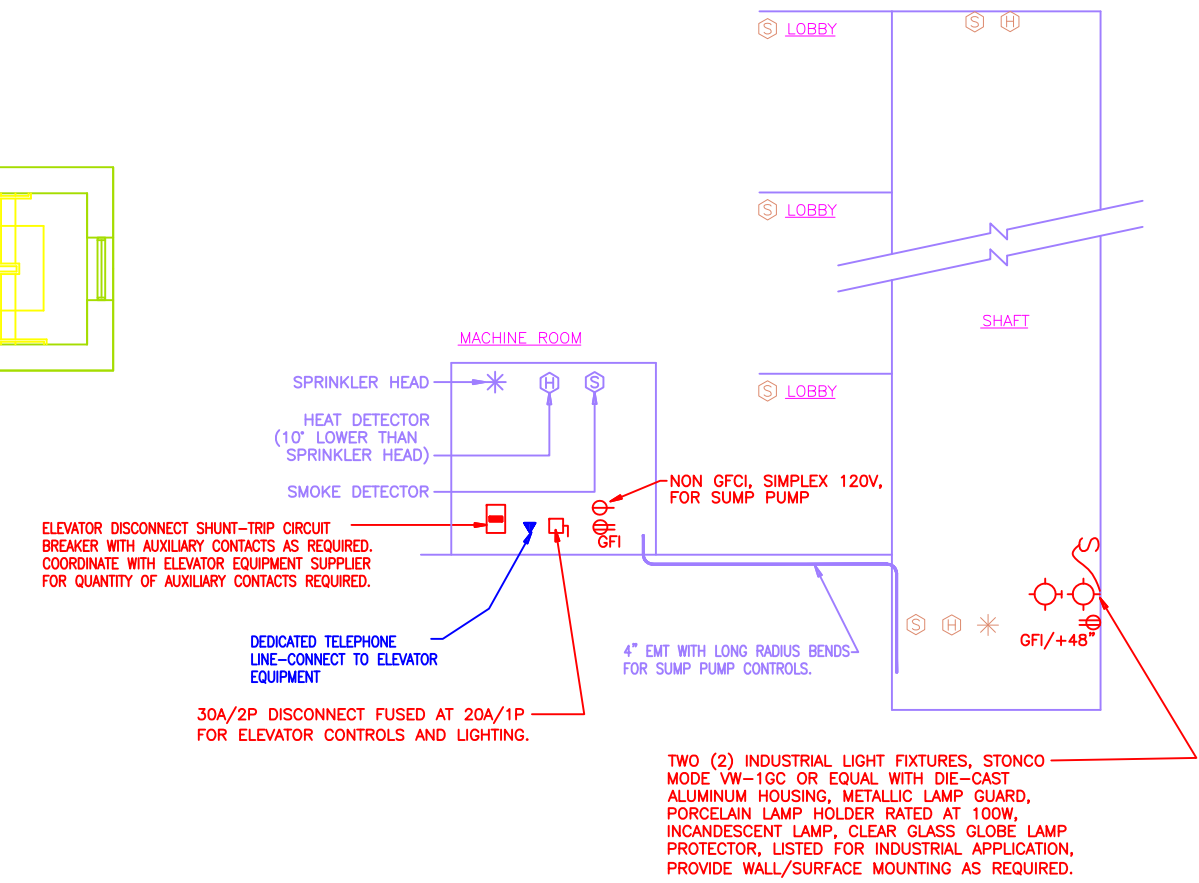


NOTE:
COMBINATION DISCONNECT/STARTERS FOR OAH-1 THRU OAH-4 AND OAH-6 SHALL BE 3P/30A W/NEMA-1 STARTERS.

THIRD FLOOR POWER PLAN
SCALE: 1/8" = 1'-0"

PLAN NOTES:

- 1 POWER FOR HVAC UNIT "0-DU-1" IS SUPPLIED BY HVAC UNIT "0-CU-10". COORDINATE WITH EQUIPMENT SUPPLIER AND MECHANICAL CONTRACTOR FOR ALL REQUIREMENTS AND DETAILS. SEE PLAN NOTE #15 ON DWG. "EO-4".
- 2 PLUMBING CONTRACTOR IS TO SUPPLY TRANSFORMER FOR AUTOMATIC FLUSH VALVES AND FAUCET VALVES. ELECTRICAL CONTRACTOR IS TO RECEIVE TRANSFORMER AND INSTALL ABOVE ACCESSIBLE CEILING WITH ALL WIRING AND CONNECTIONS. THERE IS TO BE NO EXPOSED WIRING. SEE DETAIL THIS DRAWING. ONE TRANSFORMER CAN OPERATE UP TO EIGHT (8) DEVICES. CIRCUIT AS SHOWN.

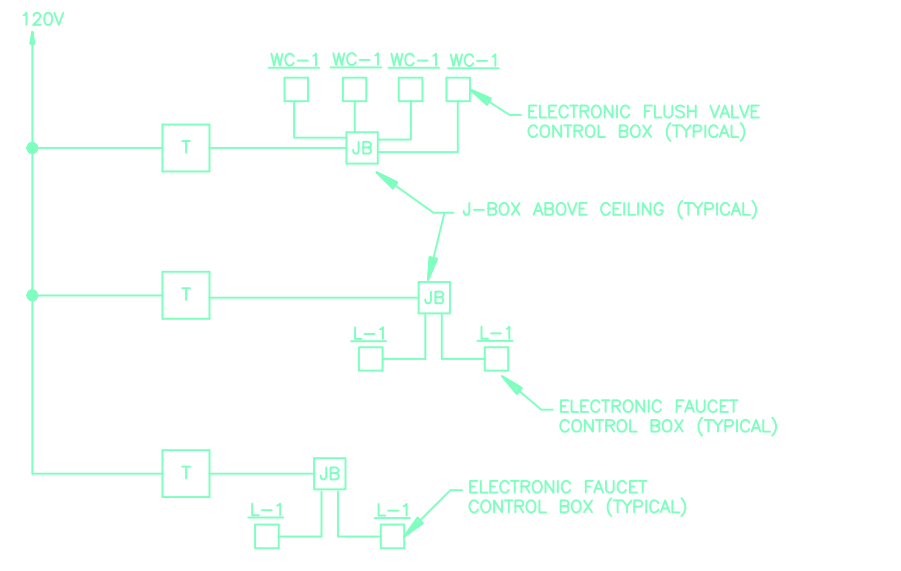


FIRE ALARM / ELECTRICAL / SPRINKLER REQUIREMENTS FOR ELEVATOR

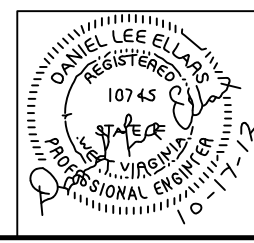
- NO SCALE
- NOTES**
- 1. ELEVATORS WITH BATTERY EMERGENCY LOWERING WILL RETURN TO DESIGNATED FLOOR UPON LOSS OF POWER AND DOORS WILL OPEN.
 - 2. ITS IS THE ELECTRICAL CONTRACTOR'S RESPONSIBILITY TO FIELD VERIFY AND CONFIRM CORRECT ELECTRICAL REQUIREMENTS, INCLUDING BUT NOT LIMITED TO, VOLTAGE AND PHASE BEFORE ANY EQUIPMENT IS ORDERED.

GENERAL ELECTRICAL NOTES (GN SERIES)

- GN1: COORDINATE LOCATIONS OF CEILING-MOUNTED LIGHTING FIXTURES, SPEAKERS AND OTHER ITEMS WITH THE CEILING PATTERN AND MECHANICAL EQUIPMENT.
- GN2: CENTER WALL-MOUNTED LIGHTING FIXTURES DIRECTLY OVER ANY RELATED LAVATORY, MIRROR, OR OTHER EQUIPMENT.
- GN3: LOCATE FLOOR SERVICE FITTINGS, FLOOR BOXES AND FLOOR CONDUIT TERMINATIONS APPROXIMATELY AS INDICATED, EXACTLY AS NECESSARY OR AS DIRECTED TO COORDINATE WITH THE ASSOCIATED FURNISHINGS OR EQUIPMENT.
- GN4: LOCATE DUPLEX RECEPTACLES DESIGNATED "ewc" TO BE CONCEALED BY THE ASSOCIATED WATER COOLER.
- GN5: LOCATE SNAP SWITCHES APPROXIMATELY 4 TO 6 INCHES FROM THE LATCH SIDE OF THE RELATED DOOR FRAME WHERE POSSIBLE, EXCEPT AS INDICATED OTHERWISE.
- GN6: LOCATE SNAP SWITCHES DIRECTLY UNDER THERMOSTATS WHERE THEY ARE SHOWN IN CLOSE PROXIMITY (SEE MECHANICAL DRAWINGS).
- GN7: LOCATE WALL BOXES APPROXIMATELY AS INDICATED, EXACTLY AS DIRECTED OR AS NECESSARY TO ACHIEVE SYMMETRY AND COORDINATED WITH THE BUILDING, FINISHES AND EQUIPMENT.
- GN8: LOCATE ALL BOXES TO BE ACCESSIBLE.
- GN9: MOUNT FLUSH BOXES WITH THEIR FRONT EDGES EVEN WITH THE FINISHED SURFACE OF COMBUSTIBLE MATERIALS, WITHIN 1/4 INCH OF NON-COMBUSTIBLE MATERIALS.
- GN10: MOUNT SINGLE-GANG BOXES WITH THE LONGER DIMENSION VERTICAL EXCEPT AS NOTED OTHERWISE. MOUNT ALL BOXES AND PLATES PLUMB.
- GN11: DO NOT INSTALL BOXES BACK-TO-BACK ON BOTH SIDES OF A PARTITION. OFFSET BOXES A MINIMUM OF 6 INCHES EXCEPT AS NOTED OTHERWISE.
- GN12: LOCATE ALL RACEWAYS TO AVOID INTERFERENCE WITH DUCTS, PIPES, MECHANICAL EQUIPMENT, WITH REMOVAL OF CEILING TILES, OR WITH ACCESS TO EQUIPMENT THAT REQUIRES PERIODIC ADJUSTMENT OR MAINTENANCE.
- GN13: DO NOT SUPPORT RACEWAYS OR EQUIPMENT FROM PIPES, DUCTS, OR A CEILING SUSPENSION SYSTEM.
- GN14: BRANCH CIRCUIT AND FEEDER NUMBERS ARE GENERALLY INDICATED BY NUMBER DESIGNATION ONLY.
- GN15: INSTALL FEEDER RACEWAYS WITH NO MORE THAN 3 CURRENT-CARRYING CONDUCTORS PLUS A NEUTRAL CONDUCTOR, PLUS A GROUND CONDUCTOR.
- GN16: INDICATED BRANCH CIRCUIT CONDUCTOR SIZES ARE BASED ON NO MORE THAN 3 CURRENT-CARRYING CONDUCTORS AND A NON-CURRENT-CARRYING NEUTRAL CONDUCTOR IN EACH RACEWAY. WHERE THE NUMBER OF CONDUCTORS EXCEEDS THIS AMOUNT, ADJUST CONDUCTOR SIZES IF AND AS NECESSARY TO ACCOUNT FOR DERATING THEIR AMPACITY IN ACCORDANCE WITH THE NATIONAL ELECTRICAL CODE.
- GN17: FOR EACH INDICATED CONNECTION TO EQUIPMENT, PROVIDE AN OUTLET BOX AND FLEXIBLE CONDUIT AS APPROPRIATE FOR THE ASSOCIATED EQUIPMENT. WHERE THE EQUIPMENT INCLUDES A CORD AND PLUG, PROVIDE A COMPATIBLE RECEPTACLE. WHERE REQUIRED BY CODE, PROVIDE AN ADJACENT SAFETY DISCONNECT SWITCH.
- GN18: NOT USED
- GN19: PROVIDE AN ADJACENT DISCONNECT SWITCH FOR EACH ELECTRIC UNIT HEATER.
- GN20: IN MECHANICAL ROOMS ADJUST LIGHTING FIXTURE LOCATIONS AS NECESSARY TO COORDINATE WITH EQUIPMENT AND TO PROVIDE OPTIMUM ILLUMINATION.
- GN21: LOCATE TELEPHONE & DATA OUTLETS APPROXIMATELY AS SHOWN ON DWGS. COORDINATE EXACT LOCATIONS OF EQUIPMENT WITH FURNISHINGS AND EQUIPMENT DRAWINGS.
- GN22: WHERE EMERGENCY LIGHTING FIXTURES ARE CONTROLLED BY ONE OR MORE WALL SWITCHES, PROVIDE AN UNSWITCHED CIRCUIT CONDUCTOR FOR OPERATION OF THE EMERGENCY CONTROLS.
- GN23: MOUNT EXTERIOR WALL-MOUNTED LIGHTING FIXTURES APPROXIMATELY AS SHOWN, EXACTLY AS DIRECTED OR AS INDICATED ON THE ARCHITECTURAL DRAWINGS.
- GN24: PROVIDE A ROOF-MOUNTED WEATHERPROOF DUPLEX GFI RECEPTACLE ADJACENT TO EACH ITEM OF ROOF-MOUNTED HVAC EQUIPMENT OTHER THAN EXHAUST FANS, IF THE EQUIPMENT DOES NOT INCLUDE AN INTEGRAL CONVENIENCE RECEPTACLE. CONNECT TO THE 120 VOLT CIRCUIT SERVING RECEPTACLES IN THE CORRIDOR BELOW.
- GN25: WHERE LIGHTING FIXTURES ARE SHOWN CONTROLLED BY TWO SWITCHES, FOR TWO-LEVEL CONTROL, CONNECT THE OUTSIDE LAMPS TO ONE SWITCH AND THE INSIDE LAMPS(S) TO THE OTHER SWITCH.
- GN26: PROVIDE WEATHERPROOF ADJUSTABLE PHOTOCELL CONTROL UNITS IN ACCESSIBLE ROOF LOCATIONS TO PROVIDE AUTOMATIC LIGHT CONTROLS AS INDICATED. PROVIDE ASSOCIATED RELAYS AND/OR CONTACTORS AS NECESSARY FOR REQUIRED CONTACT QUANTITIES AND RATINGS. LOCATE CONTACTORS AND/OR RELAYS IN EQUIPMENT ROOMS OR ABOVE CEILINGS.
- GN27: COORDINATE OUTLET LOCATIONS AND CIRCUIT RATINGS WITH EQUIPMENT SHOWN ON THE MECHANICAL AND PLUMBING DRAWINGS AND WITH ALL EQUIPMENT AND FURNISHINGS SHOWN ON THE ARCHITECTURAL DRAWINGS.



WIRING SCHEMATIC FOR ELECTRONIC FLUSH VALVES AND FAUCETS (TYPICAL)
NO SCALE



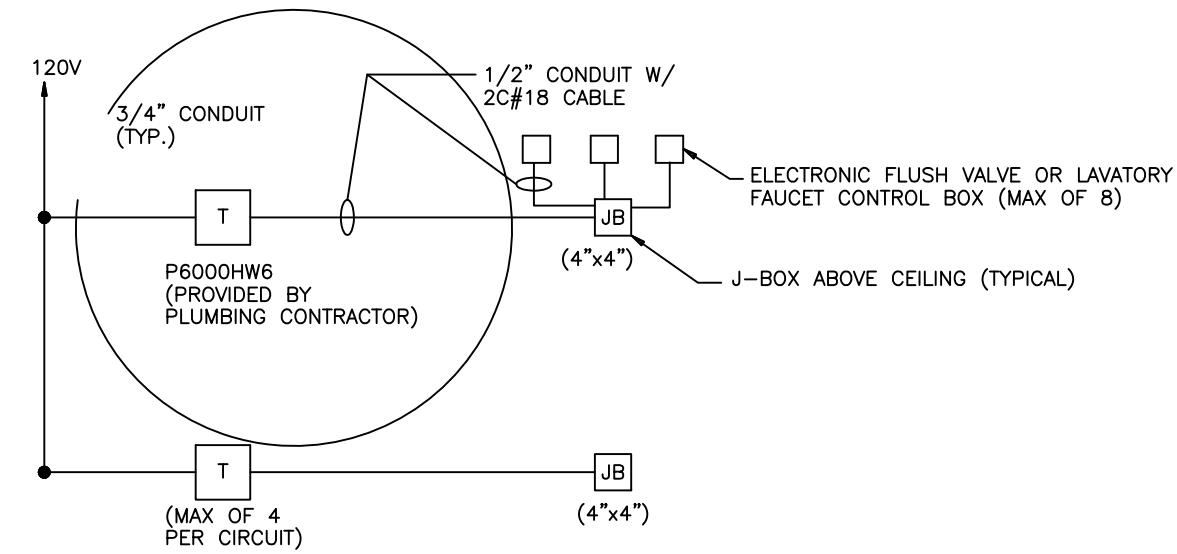
CMA ENGINEERING
Clingenpeel/McBrayer & Assoc. Inc.
824 CROSS LANES DRIVE
CHARLESTON, WV 25313
PHONE (304) 343-0316
5 RIDDLE COURT
MORGANTOWN, WV 26505
PHONE (304) 598-2558

REVISION NUMBER	SHEET NUMBER	REVISIONS	DATE	BY

ETB

DISTRICT 1 HEADQUARTERS COMPLEX
CHARLESTON WEST VIRGINIA
THIRD FLOOR POWER PLAN
SCALE: 1/8" = 1'-0"
E. T. BOGESS, ARCHITECT, INC.
PRINCETON WEST VIRGINIA
DATE: 10/17/12 PROJECT NO: 1104 CADD FILE: 1104-AP1 SHEET NO: EO-6

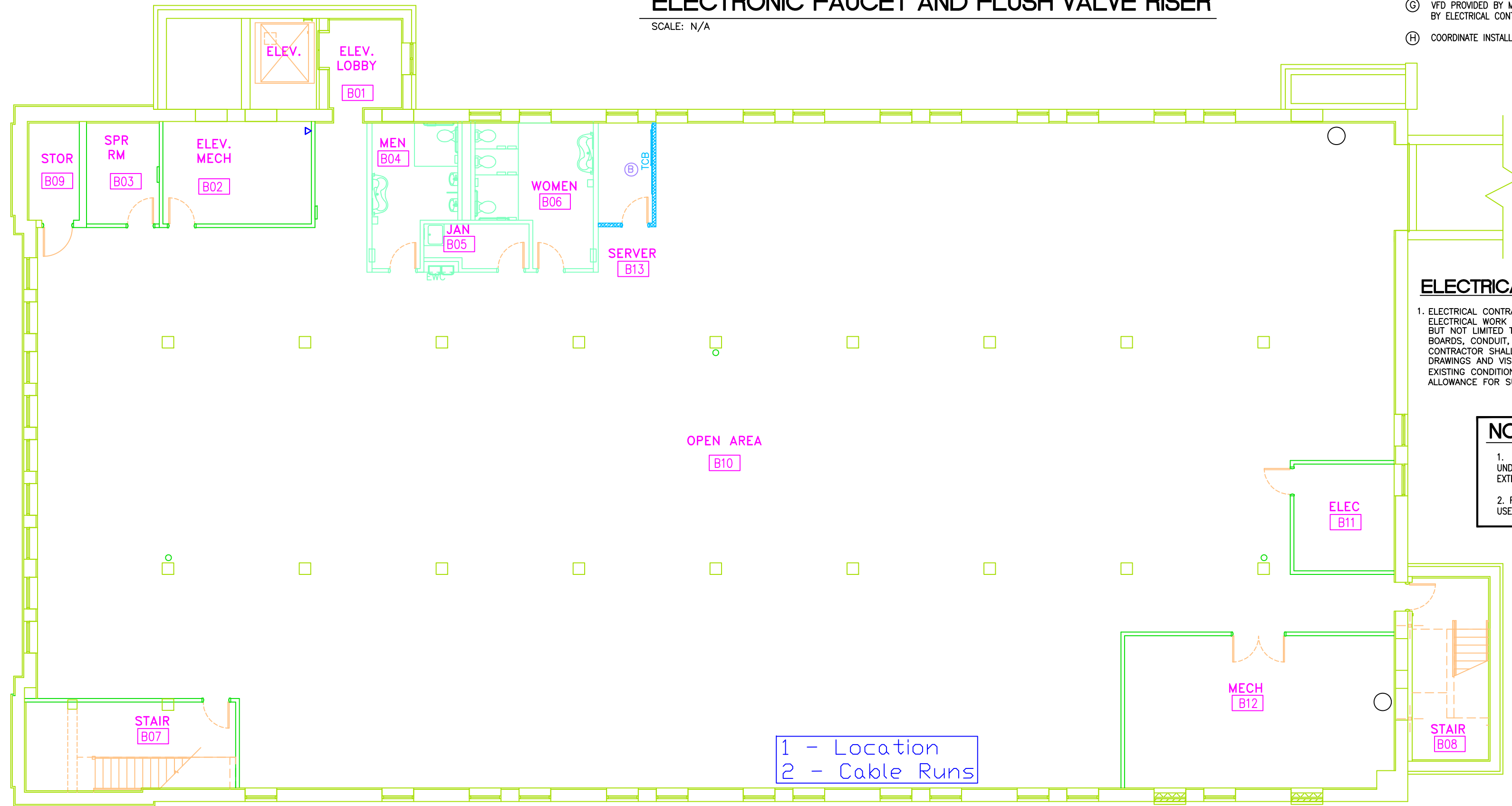
STATE DIST. NO.	STATE PROJECT NUMBER	FEDERAL PROJECT NUMBER	FISCAL YEAR	COUNTY	SHEET NO.	TOTAL SHEETS
WV	G020 HDQ/6.07	-	2013	KANAWHA	96	108



- PLAN NOTES:**
- (A) SEE FIRE ALARM/ELECTRICAL/SPRINKLER REQUIREMENTS FOR ELEVATOR ON SHEET E14.
 - (B) SEE TELEPHONE/DATA RISER ON SHEET E6.
 - (C) LIFT STATION CONTROL PANEL. SEE SHEET P5 FOR DETAILS.
 - (D) PROVIDE 3P/100A FUSED DISCONNECT SWITCH WITH SHUNT TRIP. COORDINATE FUSE SIZES WITH ELEVATOR EQUIPMENT MANUFACTURER.
 - (E) TRANSFORMER ABOVE CEILING FOR FLUSH VALVES AND FAUCETS. ELECTRICAL CONTRACTOR TO INSTALL ALL WIRING AND MAKE ALL CONNECTIONS. SEE ELECTRONIC FAUCET AND FLUSH VALVE RISER THIS SHEET. PLUMBING CONTRACTOR TO SUPPLY TRANSFORMER.
 - (F) DIRECT CONNECTION FOR ELECTRIC HAND DRYER.
 - (G) VFD PROVIDED BY MECHANICAL CONTRACTOR AND INSTALLED BY ELECTRICAL CONTRACTOR.
 - (H) COORDINATE INSTALLATION WITH DOOR MANUFACTURER.

ELECTRONIC FAUCET AND FLUSH VALVE RISER

SCALE: N/A



ELECTRICAL DEMO NOTES

1. ELECTRICAL CONTRACTOR SHALL DISCONNECT AND REMOVE ALL ELECTRICAL WORK NOT INDICATED TO REMAIN. THIS INCLUDES BUT NOT LIMITED TO LIGHTING FIXTURES, RECEPTACLES, PANEL BOARDS, CONDUIT, JUNCTION BOXES AND WIRING. CONTRACTOR SHALL COORDINATE WITH ARCHITECTURAL DRAWINGS AND VISIT THE SITE PRIOR TO BIDDING, DETERMINE EXISTING CONDITIONS, EXTENT OF REMOVAL WORK AND MAKE ALLOWANCE FOR SUCH WORK.

NOTES:

1. ALL CONDUIT ENTERING BUILDING FROM UNDERGROUND SHALL TURN UP INSIDE OF EXTERIOR WALL TO CEILING ABOVE.
2. RECEPTACLES IN EXISTING WALLS SHALL USE SHALLOW OUTLET BOXES.

DOT-DOH-District 1
HQ SRC Building
BASEMENT POWER PLAN
SCALE: 1/8" = 1'-0"



Designed By: JEH Checked By: JEH
 Drawn By: STAFF Job No. 12007
 Scale: AS NOTED Date: SEPTEMBER 2012

Chapman Technical Group
 ENGINEERS • ARCHITECTS • INTERIOR DESIGNERS • LANDSCAPE ARCHITECTS
 P.O. Box 1325, P.O. Box 228
 St. Albans, West Virginia, 26049-1325, Buckhannon, West Virginia, 26039-0228
 (304) 727-5501 (304) 472-8914

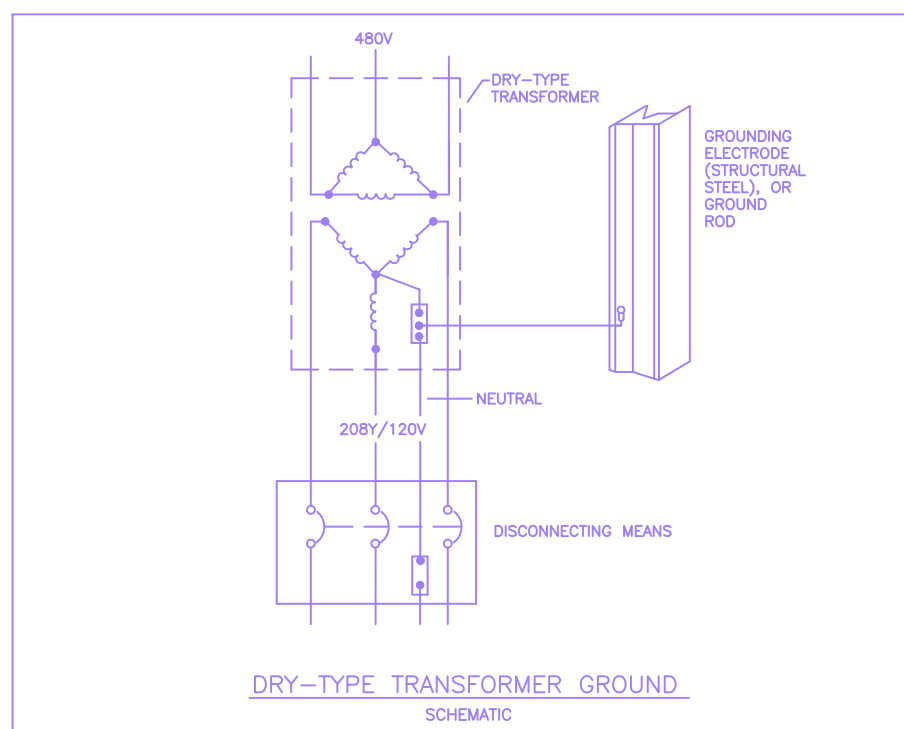
REVISION NUMBER	REVISIONS	DATE	BY

WEST VIRGINIA DEPARTMENT OF TRANSPORTATION
 DIVISION OF HIGHWAYS
 SRC BUILDING RENOVATIONS
 STATE PROJECT TBD

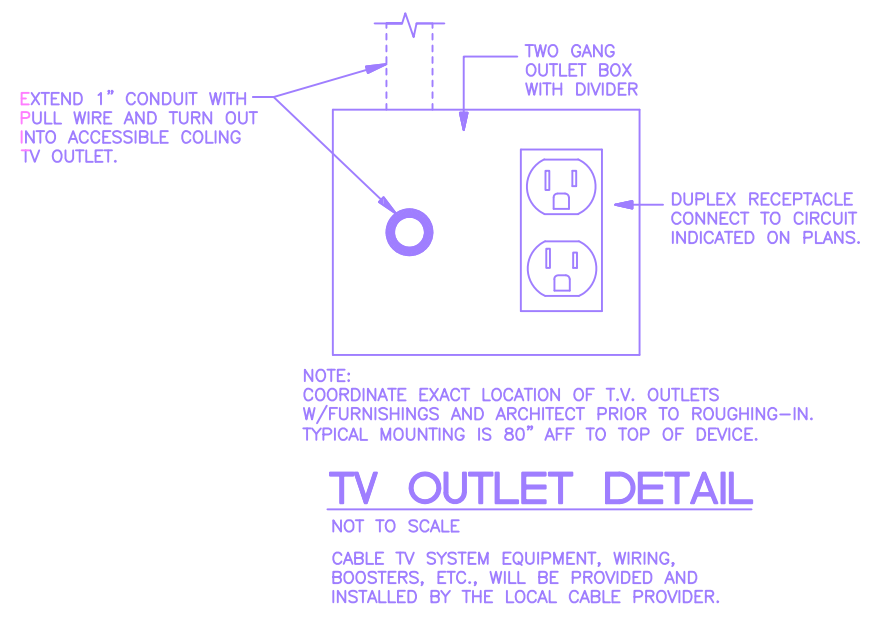
BASEMENT POWER PLAN
 SHEET NO. **E4**

SECOND FLOOR POWER PLAN

PUBLIC ROADS DIV.	STATE DIST. NO.	STATE PROJECT NO.	FEDERAL PROJECT NO.	FISCAL YEAR	COUNTY	SHEET NO.	TOTAL SHEETS
WV	1	G020-HDQ/6.	02	2013	KANAWHA	48	52

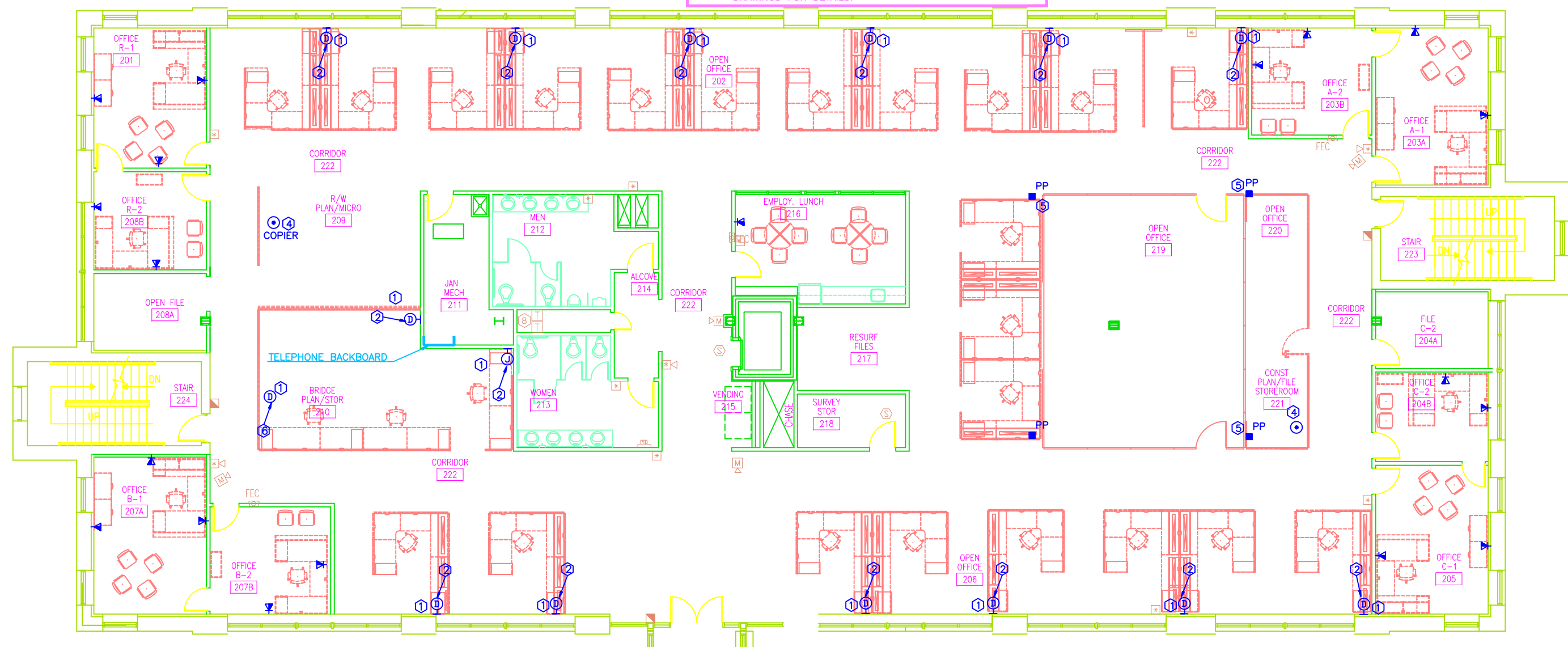


- ### PLAN NOTES
- EXTEND 1" EMPTY CONDUIT W/PULLWIRE FROM BOX TO ABOVE ACCESSIBLE CEILING.
 - COORDINATE EXACT LOCATIONS OF POWER AND DATA BOXES WITH FURNISHINGS CONTRACTOR PRIOR TO ROUGH-IN.
 - COORDINATE MOUNTING HEIGHT WITH CASEWORK.
 - VERIFY EXACT LOCATION OF FLOOR OUTLETS W/OWNER FOR COPIER PRIOR TO ROUGH-IN. OUTLETS SHALL BE FLUSH W/FLOOR, W/BRASS RECEPTACLE.
 - POWER POLE SHALL BE WIREMOLD #30TP4V SERIES. POLE SHALL COME W/POWER AND DATA FEED OPENINGS. VERIFY EXACT CONFIGURATION OF POLE W/OWNER PRIOR TO ORDERING. POWER POLE SHALL COME W/ALL NECESSARY MOUNTING ACCESSORIES.
 - FLOOR SERVICE FITTINGS FOR SYSTEMS FURNITURE COORDINATE EXACT LOCATIONS OF POWER AND DATA BOXES WITH FURNISHINGS CONTRACTOR PRIOR TO ROUGH-IN.
 - COORDINATE LOCATION AND MOUNTING HEIGHT OF RECEPTACLE WITH EQUIPMENT REQUIREMENTS AND AS DIRECTED BY ARCHITECT.
 - PLUMBING CONTRACTOR IS TO SUPPLY TRANSFORMER FOR AUTOMATIC FLUSH VALVES AND FAUCET VALVES. ELECTRICAL CONTRACTOR IS TO RECEIVE TRANSFORMER AND INSTALL ABOVE ACCESSIBLE CEILING WITH ALL WIRING AND CONNECTIONS. THERE IS TO BE NO EXPOSED WIRING. SEE DETAIL IN DRAWING EO-6. ONE TRANSFORMER CAN OPERATE UP TO EIGHT (8) DEVICES. CIRCUIT AS SHOWN.
 - PROVIDE ELECTRICAL POWER CONNECTION FOR POWER MODULE AND CIRCUIT AS SHOWN. SEE MECHANICAL DRAWINGS FOR DETAILS.



SYMBOL LEGEND

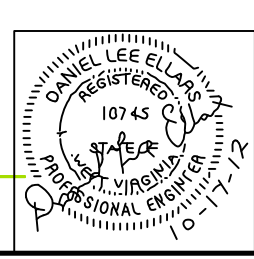
SYMBOL	DESCRIPTION
[Symbol]	FLUORESCENT LIGHT FIXTURE, LETTER DENOTES TYPE
[Symbol]	STRIP OR INDUSTRIAL FLUORESCENT LIGHTING FIXTURE
[Symbol]	FLUORESCENT LIGHTING FIXTURE W/EMERG. BATTERY PACK
[Symbol]	WALL MTD. LIGHT FIXTURE
[Symbol]	EXIT LIGHT, SHADED SIDE DENOTES FACE
[Symbol]	WALL MOUNTED EXIT LIGHT
[Symbol]	COMPACT FLUORESCENT OR HID LIGHTING FIXTURE
[Symbol]	EMERGENCY LIGHT SET
[Symbol]	SINGLE POLE SNAP SWITCH
[Symbol]	THREE-WAY SNAP SWITCH
[Symbol]	FOUR-WAY SNAP SWITCH
[Symbol]	MANUAL MOTOR STARTER W/THERMAL OVERLOAD
[Symbol]	MANUAL MOTOR STARTER
[Symbol]	DUAL SWITCHING
[Symbol]	COMBINATION TELEPHONE/DATA OUTLET, SINGLE GANG BOX W/ FLUSH BLANK COVER PLATE, EXTEND 3/4" EMPTY CONDUIT W/PULL WIRE FROM BOX TO ABOVE ACCESSIBLE CEILING.
[Symbol]	SPECIAL PURPOSE OUTLET
[Symbol]	QUADRUPLX CONVENIENCE OUTLET
[Symbol]	DUPLEX CONVENIENCE OUTLET
[Symbol]	MOTOR CONNECT
[Symbol]	JUNCTION BOX
[Symbol]	EWC ELECTRIC WATER COOLER
[Symbol]	GFI GROUND FAULT CIRCUIT INTERRUPTER
[Symbol]	[TV] TELEVISION OUTLET FOR CABLE SYSTEM, WALL MOUNTED. SEE DETAIL.
[Symbol]	MOD MOTOR OPERATED DAMPER
[Symbol]	WP WEATHERPROOF
[Symbol]	FS FLOW SWITCH - FIRE ALARM SYSTEM CONNECTION
[Symbol]	TS TAMPER SWITCH - FIRE ALARM SYSTEM CONNECTION
[Symbol]	ELECTRICAL PANELBOARD
[Symbol]	COMBINATION STARTER/FUSED DISCONNECT
[Symbol]	MECHANICAL EQUIPMENT DESIGNATION NOTATION
[Symbol]	FUSED SAFETY SWITCH (NF - NON-FUSED)
[Symbol]	FIRE ALARM SYSTEM - THERMAL DETECTOR
[Symbol]	FIRE ALARM SYSTEM - CEILING MOUNTED SMOKE DETECTOR
[Symbol]	DUCT MOUNTED SMOKE DETECTOR
[Symbol]	FIRE ALARM SYSTEM - MANUAL PULL STATION
[Symbol]	FIRE ALARM SYSTEM - VISUAL ALARM INDICATING DEVICE +80"
[Symbol]	COMBINATION AUDIBLE/VISUAL (STROBE) FIRE ALARM SIGNAL.
[Symbol]	PLAN NOTE
[Symbol]	FIRE ALARM CONTROL PANEL
[Symbol]	SINGLE GANG OUTLET BOX FOR TELEPHONE/DATA WIRING
[Symbol]	RANGE HOOD FIRE SUPPRESSION CONTACT
[Symbol]	POWER MODULE FOR VAV DIFFUSERS
[Symbol]	INTRUSION DETECTION/ACCESS CONTROL-DOOR CONTACT SWITCH
[Symbol]	ACCESS CONTROL ELECTRIC DOOR LOCK
[Symbol]	INTRUSION DETECTION ACCESS KEYPAD
[Symbol]	ACCESS CONTROL CARD READER
[Symbol]	INTRUSION DETECTION GLASS BREAK DETECTOR
[Symbol]	INTRUSION DETECTION MOTION SENSOR
[Symbol]	SECURITY CONTROL PANEL
[Symbol]	CCTV CAMERA, INTERIOR UNITS ARE CEILING MOUNTED, EXTERIOR UNITS ARE WALL-MOUNTED AT 12'-0" ABOVE FINISH GRADE



GENERAL FLOOR SLEEVE NOTE:
CONTRACTOR IS TO PROVIDE THREE (3) 2 INCH SLEEVES THROUGH FLOOR BETWEEN SECOND AND THIRD FLOOR LEVELS FOR FUTURE CONDUITS AND CABLING. LOCATE SLEEVES AS DIRECTED BY ARCHITECT OR OWNER.

SECOND FLOOR POWER PLAN
SCALE: 1/8" = 1'-0"

TOTAL DROPS = 112



CMA ENGINEERING
Clingenpeel/McBryer & Assoc., Inc.
824 CROSS LANES DRIVE
CHARLESTON, WV 25313
PHONE: (304) 343-0316
5 RIDDLE COURT
MORGANTOWN, WV 26505
PHONE: (304) 598-2558

REVISION NUMBER	SHEET NUMBER	REVISIONS	DATE	BY

EB
DISTRICT 1 HEADQUARTERS COMPLEX
CHARLESTON WEST VIRGINIA
SECOND FLOOR POWER PLAN
SCALE: 1/8" = 1'-0"
E. T. BOGCESS, ARCHITECT, INC.
PRINCETON WEST VIRGINIA
DATE: 10/17/12 PROJECT NO: 1104 CADD FILE: 1104-AP1
DRAWN: CHECK: STAFF: FILE: SHEET NO: EO-5

STATE DIST. NO.	STATE PROJECT NUMBER	FEDERAL PROJECT NUMBER	FISCAL YEAR	COUNTY	SHEET NO.	TOTAL SHEETS
WV	6020 HDQ/6.07	-	2013	KANAWHA	97	108

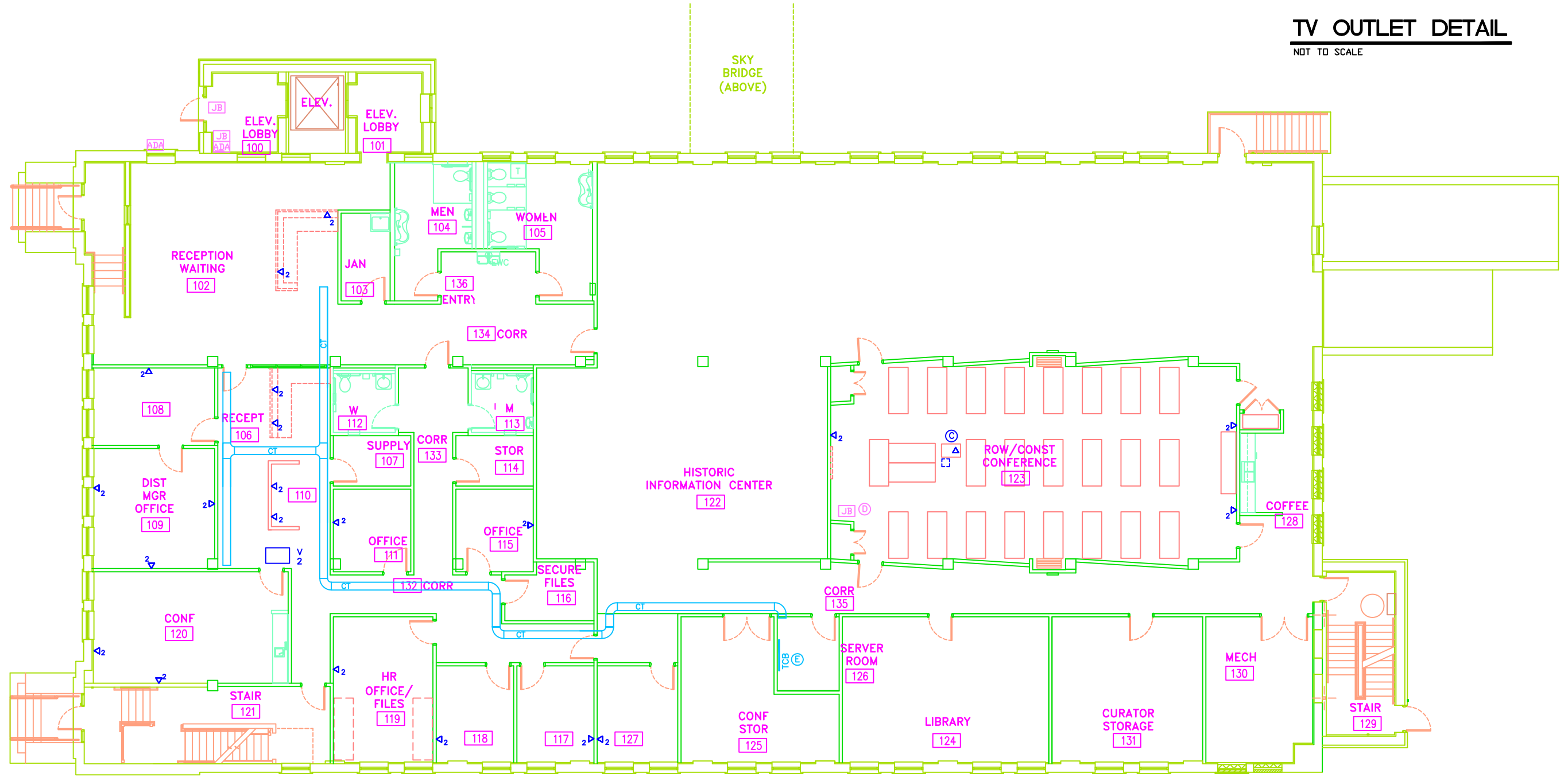
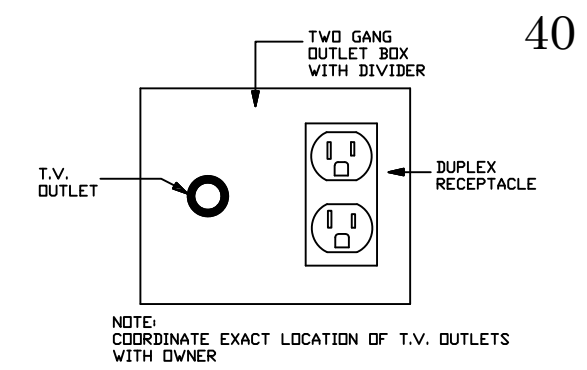
ELECTRICAL DEMO NOTES

1. ELECTRICAL CONTRACTOR SHALL DISCONNECT AND REMOVE ALL ELECTRICAL WORK NOT INDICATED TO REMAIN. THIS INCLUDES BUT NOT LIMITED TO LIGHTING FIXTURES, RECEPTACLES, PANEL BOARDS, CONDUIT, JUNCTION BOXES AND WIRING. CONTRACTOR SHALL COORDINATE WITH ARCHITECTURAL DRAWINGS AND VISIT THE SITE PRIOR TO BIDDING, DETERMINE EXISTING CONDITIONS, EXTENT OF REMOVAL WORK AND MAKE ALLOWANCE FOR SUCH WORK.

NOTES:
 1. CABLE TRAY SHALL BE MINIMUM OF 12"x6".
 2. RECEPTACLES IN EXISTING WALLS SHALL USE SHALLOW OUTLET BOXES.

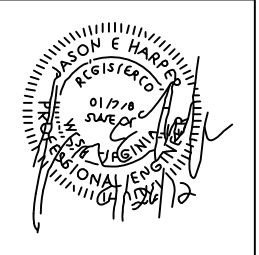
PLAN NOTES:

- (A) PROVIDE 277V, 40A OUTLET, CORD AND PLUG FOR INSTANTANEOUS WATER HEATER.
- (B) SEE DOOR ACCESS CONTROL DETAILS ON SHEET E14.
- (C) PROVIDE POWER AND DATA OUTLETS IN CEILING FOR CEILING MOUNTED PROJECTOR.
- (D) PROVIDE 4"x4" JUNCTION BOX WITH 1" CONDUIT TO ABOVE CEILING FOR SIGNAL CABLE TO CEILING MOUNTED PROJECTOR.
- (E) SEE TELEPHONE/DATA RISER ON SHEET E6.
- (F) SEE TV OUTLET DETAIL THIS SHEET.
- (G) SEE WATER HEATING DETAIL ON SHEET P3.
- (H) RECEPTACLE FOR UNDER COUNTER MICRO FRIDGE.
- (I) RECEPTACLE FOR MICROWAVE.
- (K) TRANSFORMER ABOVE CEILING FOR FLUSH VALVES AND FAUCETS. ELECTRICAL CONTRACTOR TO INSTALL ALL WIRING AND MAKE ALL CONNECTIONS. SEE ELECTRONIC FAUCET AND FLUSH VALVE RISER ON SHEET E4. PLUMBING CONTRACTOR TO SUPPLY TRANSFORMER.
- (L) DIRECT CONNECTION FOR ELECTRIC HAND DRYERS.
- (M) CIRCUIT FOR ADA DOOR MOTOR.
- (N) PROVIDE WIREMOLD FLAMESTOPPER MODEL FS4R-RED OR EQUAL WHERE CABLE TRAY PASSES THRU RATED WALL. INSTALL PER MANUFACTURER'S INSTRUCTIONS.
- (P) PROVIDE 7,4POST DATA RACK WITH 48-PORT, CAT 6 QUICK PORTS (OR EQUAL). PROVIDE MINIMUM OF 20% SPARE PORTS.
- (Q) RECEPTACLE FOR ROLLING FILE SYSTEM. COORDINATE REQUIREMENTS WITH MANUFACTURER.
- (R) COORDINATE INSTALLATION WITH DOOR MANUFACTURER.



DOT-DOH-District 1
 HQ SRC Building
FIRST FLOOR POWER PLAN
 SCALE: 1/8" = 1'-0"

23 - Drop Locations
 46 - Cable Runs



Designed By: JEH Checked By: JEH
 Drawn By: STAFF Job No. 12007
 Scale: AS NOTED Date: SEPTEMBER 2012

Chapman Technical Group
 ENGINEERS • ARCHITECTS • INTERIOR DESIGNERS • LANDSCAPE ARCHITECTS
 P.O. Box 1000, St. Albans, West Virginia 26049-0001
 P.O. Box 228, Buckhannon, West Virginia 26039-0228

REVISION NUMBER	REVISIONS	DATE	BY

WEST VIRGINIA DEPARTMENT OF TRANSPORTATION
 DIVISION OF HIGHWAYS
 SRC BUILDING RENOVATIONS
 STATE PROJECT TBD

FIRST FLOOR POWER PLAN
 SHEET NO. **E5**