

STATE DIST. NO.	STATE PROJECT NUMBER	FEDERAL PROJECT NUMBER	FISCAL YEAR	COUNTY	SHEET NO.	TOTAL SHEETS
WV	6020 HDQ/6.07	-	2013	KANAWHA	97	108

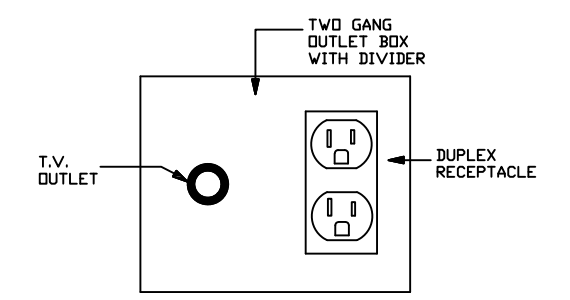
ELECTRICAL DEMO NOTES

1. ELECTRICAL CONTRACTOR SHALL DISCONNECT AND REMOVE ALL ELECTRICAL WORK NOT INDICATED TO REMAIN. THIS INCLUDES BUT NOT LIMITED TO LIGHTING FIXTURES, RECEPTACLES, PANEL BOARDS, CONDUIT, JUNCTION BOXES AND WIRING. CONTRACTOR SHALL COORDINATE WITH ARCHITECTURAL DRAWINGS AND VISIT THE SITE PRIOR TO BIDDING, DETERMINE EXISTING CONDITIONS, EXTENT OF REMOVAL WORK AND MAKE ALLOWANCE FOR SUCH WORK.

NOTES:
 1. CABLE TRAY SHALL BE MINIMUM OF 12"x6".
 2. RECEPTACLES IN EXISTING WALLS SHALL USE SHALLOW OUTLET BOXES.

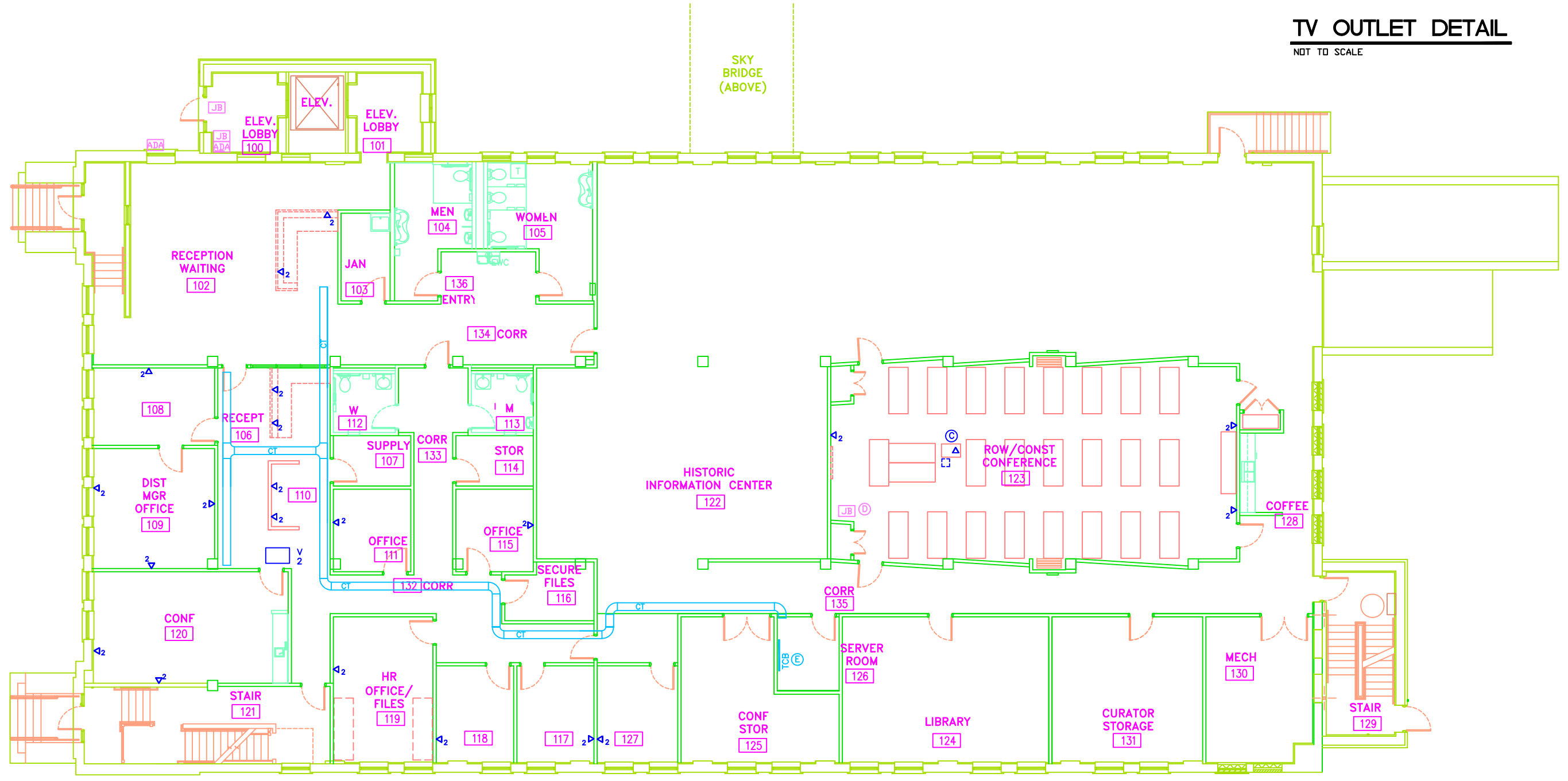
PLAN NOTES:

- (A) PROVIDE 277V, 40A OUTLET, CORD AND PLUG FOR INSTANTANEOUS WATER HEATER.
- (B) SEE DOOR ACCESS CONTROL DETAILS ON SHEET E14.
- (C) PROVIDE POWER AND DATA OUTLETS IN CEILING FOR CEILING MOUNTED PROJECTOR.
- (D) PROVIDE 4"x4" JUNCTION BOX WITH 1" CONDUIT TO ABOVE CEILING FOR SIGNAL CABLE TO CEILING MOUNTED PROJECTOR.
- (E) SEE TELEPHONE/DATA RISER ON SHEET E6.
- (F) SEE TV OUTLET DETAIL THIS SHEET.
- (G) SEE WATER HEATING DETAIL ON SHEET P3.
- (H) RECEPTACLE FOR UNDER COUNTER MICRO FRIDGE.
- (I) RECEPTACLE FOR MICROWAVE.
- (K) TRANSFORMER ABOVE CEILING FOR FLUSH VALVES AND FAUCETS. ELECTRICAL CONTRACTOR TO INSTALL ALL WIRING AND MAKE ALL CONNECTIONS. SEE ELECTRONIC FAUCET AND FLUSH VALVE RISER ON SHEET E4. PLUMBING CONTRACTOR TO SUPPLY TRANSFORMER.
- (L) DIRECT CONNECTION FOR ELECTRIC HAND DRYERS.
- (M) CIRCUIT FOR ADA DOOR MOTOR.
- (N) PROVIDE WIREMOLD FLAMESTOPPER MODEL FS4R-RED OR EQUAL WHERE CABLE TRAY PASSES THRU RATED WALL. INSTALL PER MANUFACTURER'S INSTRUCTIONS.
- (P) PROVIDE 7,4POST DATA RACK WITH 48-PORT, CAT 6 QUICK PORTS (OR EQUAL). PROVIDE MINIMUM OF 20% SPARE PORTS.
- (Q) RECEPTACLE FOR ROLLING FILE SYSTEM. COORDINATE REQUIREMENTS WITH MANUFACTURER.
- (R) COORDINATE INSTALLATION WITH DOOR MANUFACTURER.



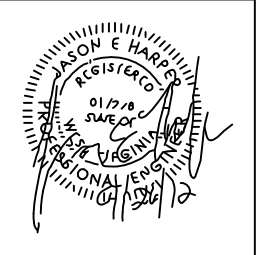
NOTE: COORDINATE EXACT LOCATION OF T.V. OUTLETS WITH DWNER

TV OUTLET DETAIL
NOT TO SCALE



DOT-DOH-District 1
 HQ SRC Building
FIRST FLOOR POWER PLAN
 SCALE: 1/8"=1'-0"

23 - Drop Locations
 46 - Cable Runs



Designed By: JEH Checked By: JEH
 Drawn By: STAFF Job No.: 12007
 Scale: AS NOTED Date: SEPTEMBER 2012

Chapman Technical Group
 ENGINEERS • ARCHITECTS • INTERIOR DESIGNERS • LANDSCAPE ARCHITECTS
 P.O. Box 1000, St. Albans, West Virginia 26049-1000
 P.O. Box 228, Buckhannon, West Virginia 26039-0228

REVISION NUMBER	REVISIONS	DATE	BY

WEST VIRGINIA DEPARTMENT OF TRANSPORTATION
 DIVISION OF HIGHWAYS
 SRC BUILDING RENOVATIONS
 STATE PROJECT TBD

FIRST FLOOR POWER PLAN
 SHEET NO. E5