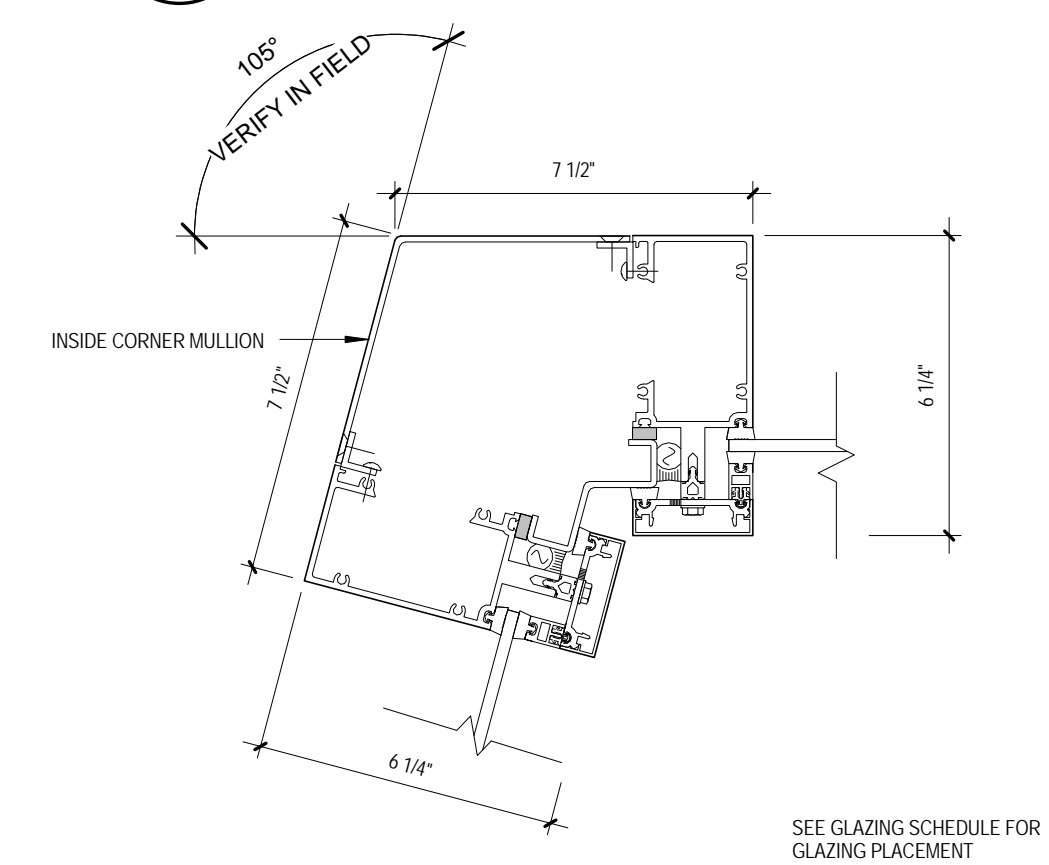
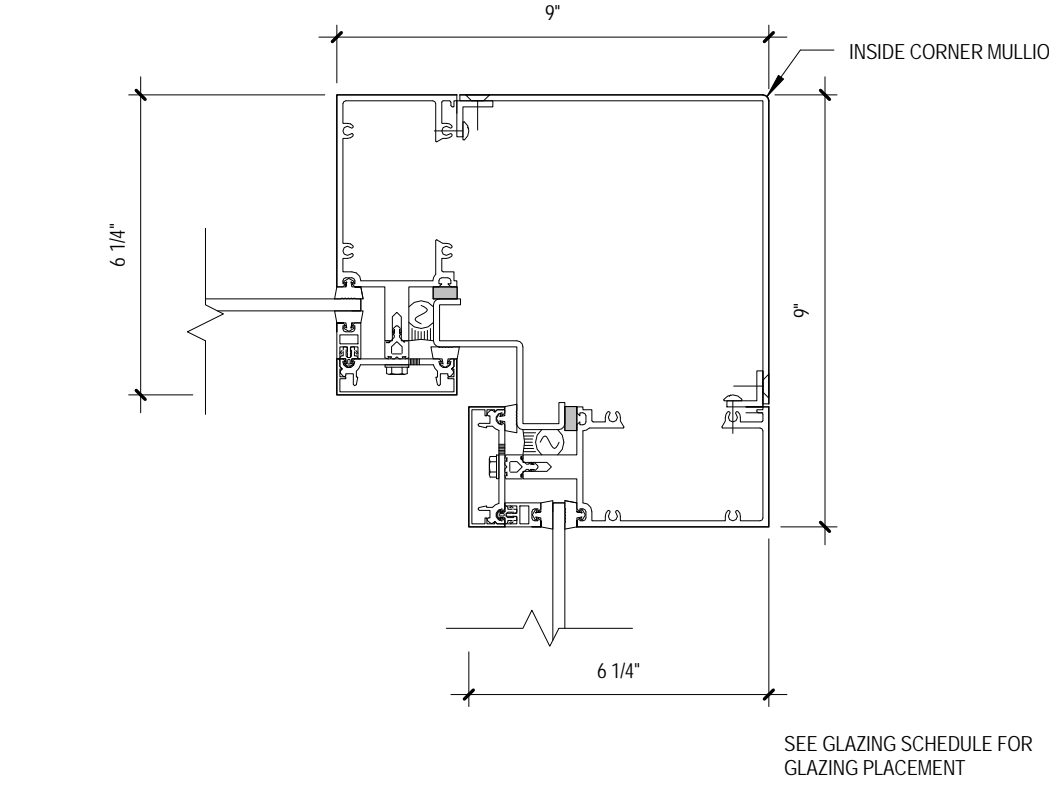


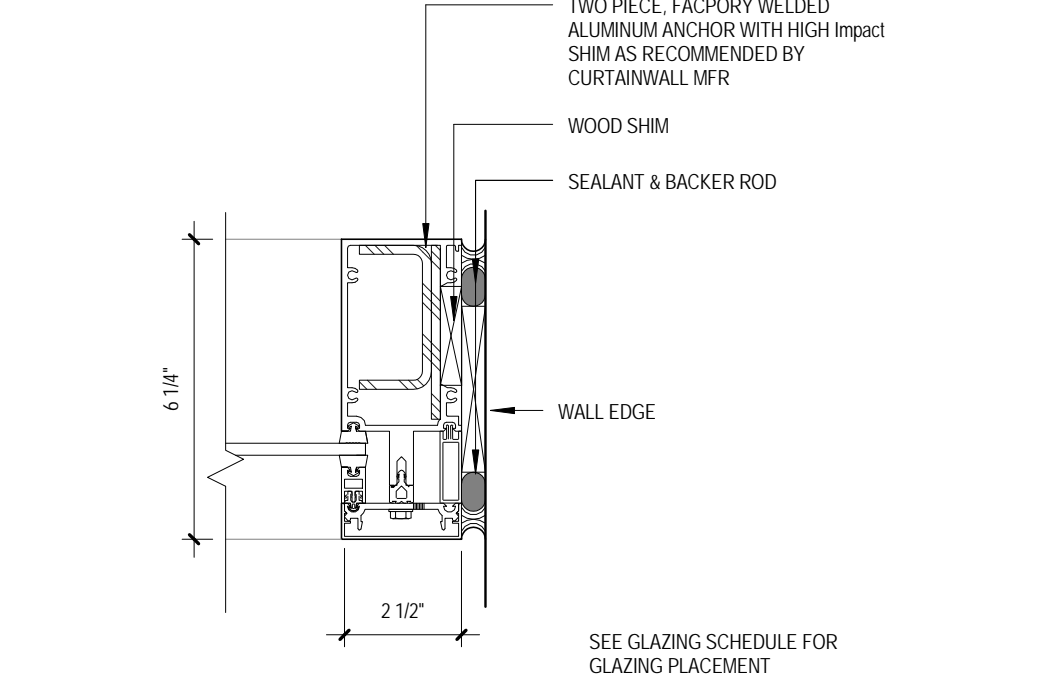
17 Ext. Curtainwall Ext. and Int. Curtainwall Corner  
A611 3" = 1'-0"



16 Int. Curtainwall - 105 Degree Corner  
A611 3" = 1'-0"

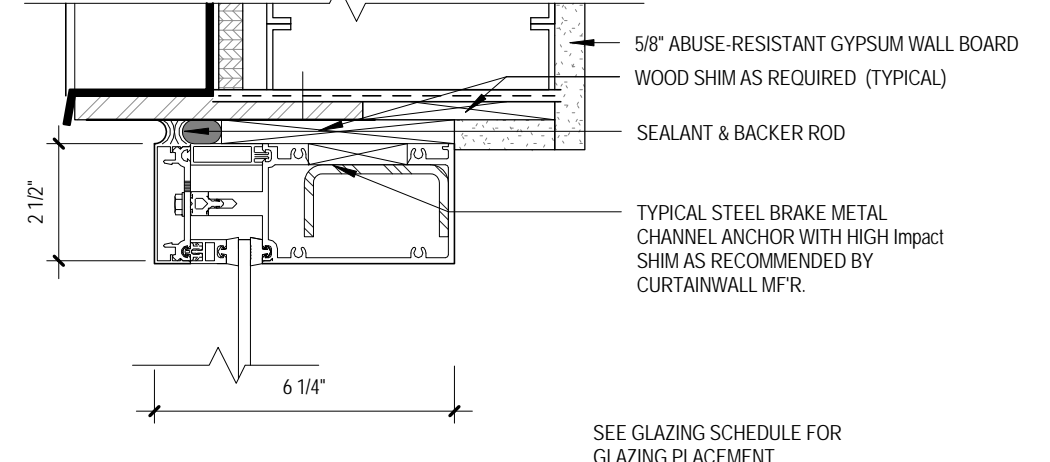


15 Int. Curtainwall - 90 Degree Corner  
A611 3" = 1'-0"

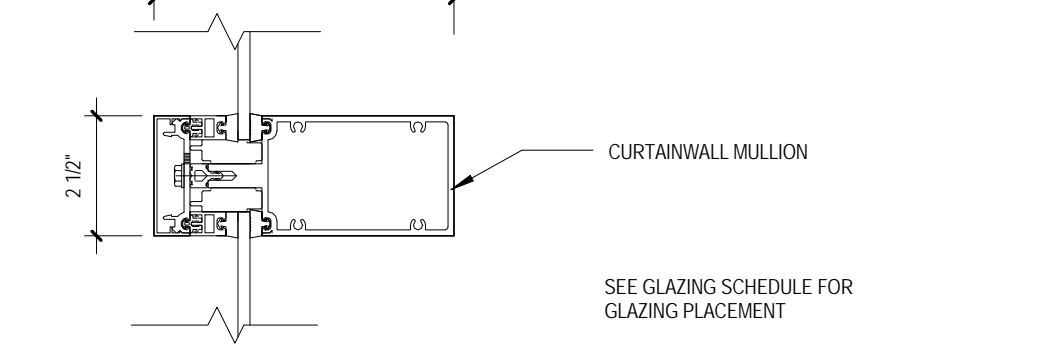


14 Int. Curtainwall - Plan Wall Edge Condition  
A611 3" = 1'-0"

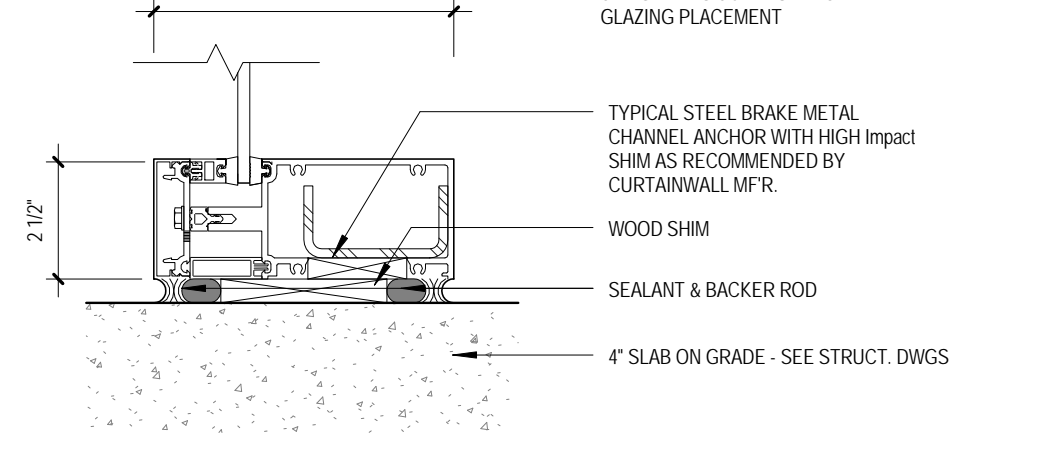
13 Int. Curtainwall - Vertical Mullion  
A611 3" = 1'-0"



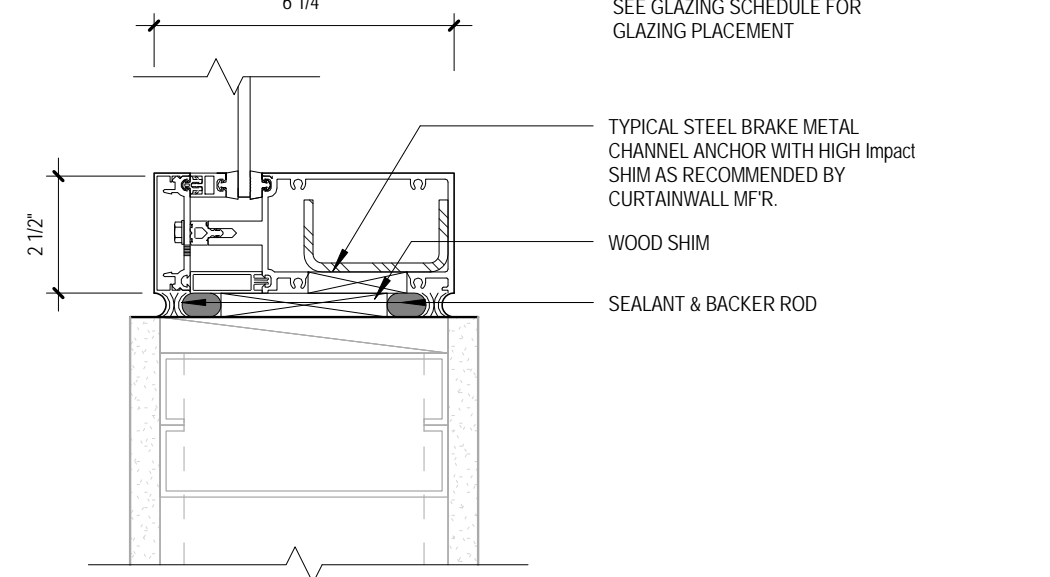
12 Int. Curtainwall - Ceiling  
A611 3" = 1'-0"



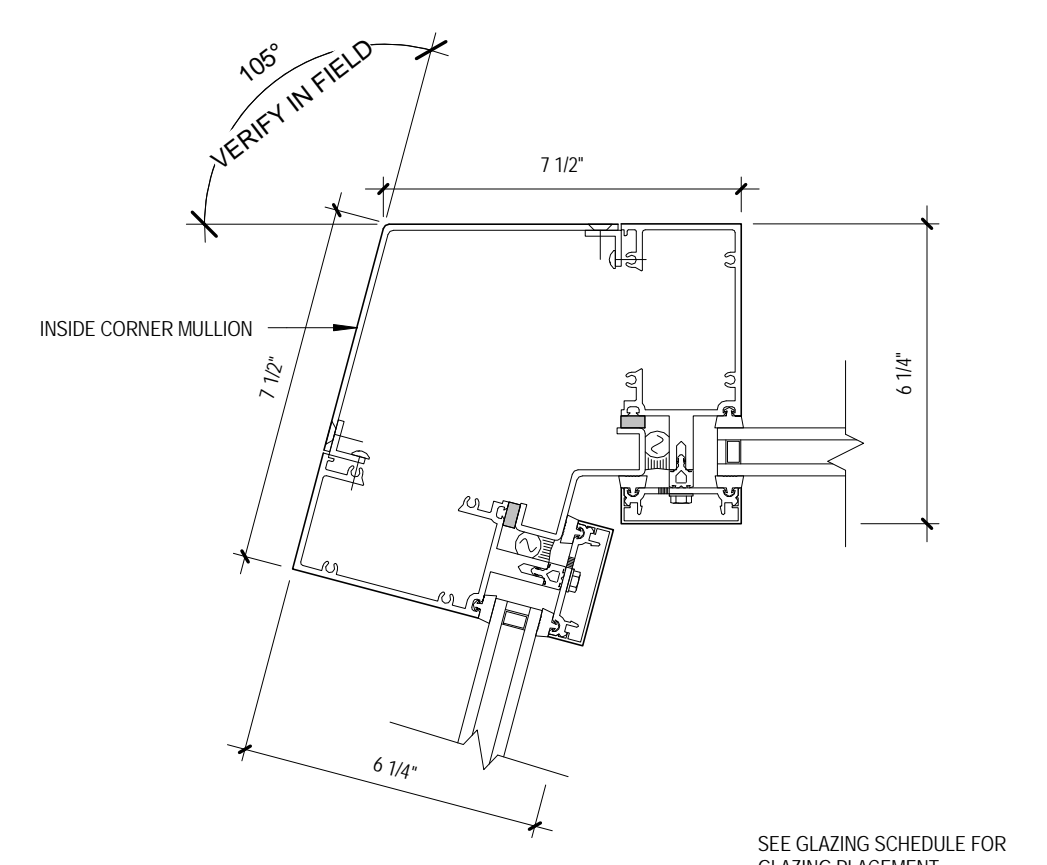
11 Int. Curtainwall - Horizontal Mullion  
A611 3" = 1'-0"



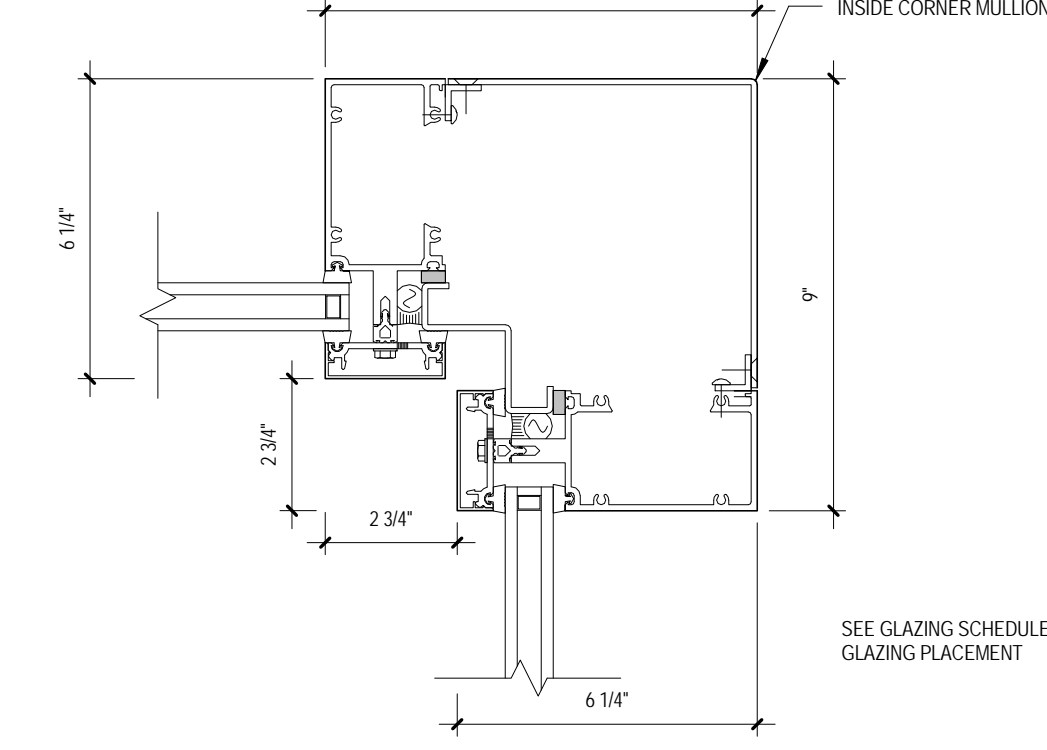
10 Int. Curtainwall - Floor  
A611 3" = 1'-0"



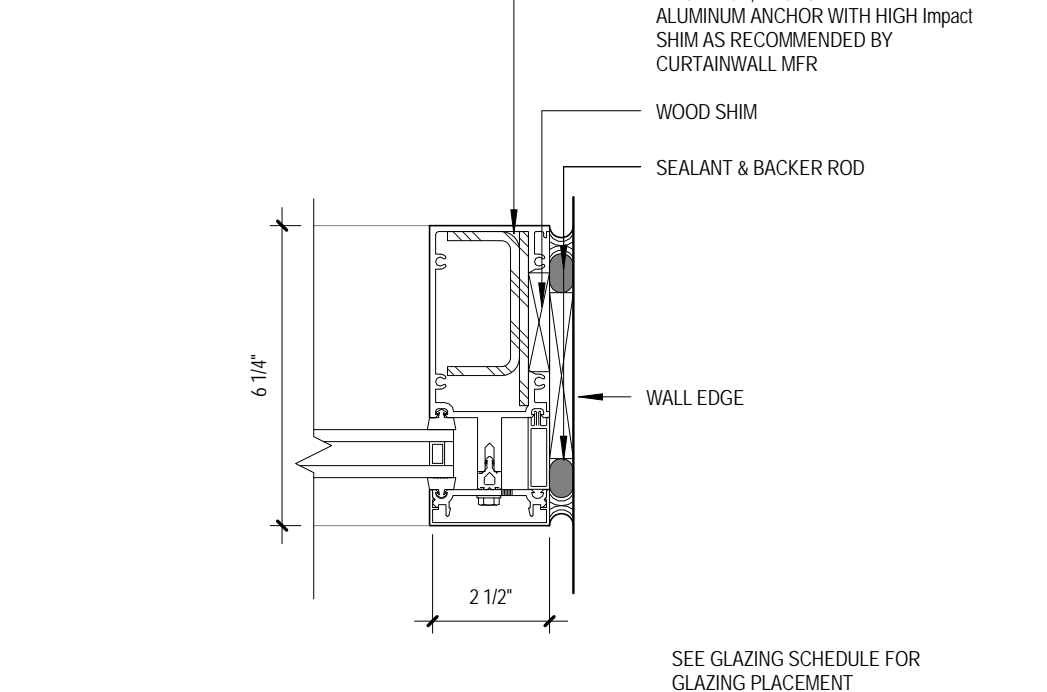
9 Int. Curtainwall - Half Wall  
A611 3" = 1'-0"



8 Ext. Curtainwall - 105 Degree Corner  
A611 3" = 1'-0"

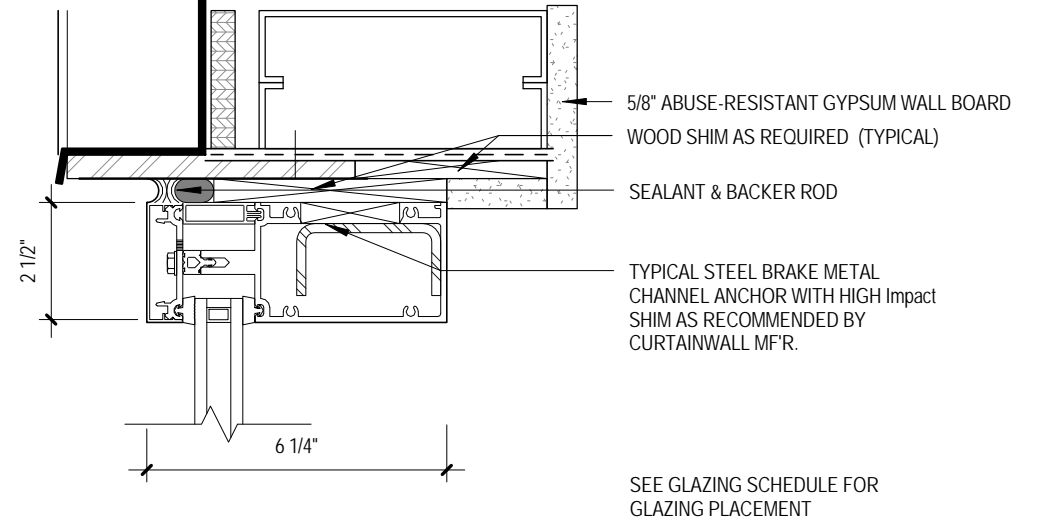


7 Ext. Curtainwall - 90 Degree Corner  
A611 3" = 1'-0"

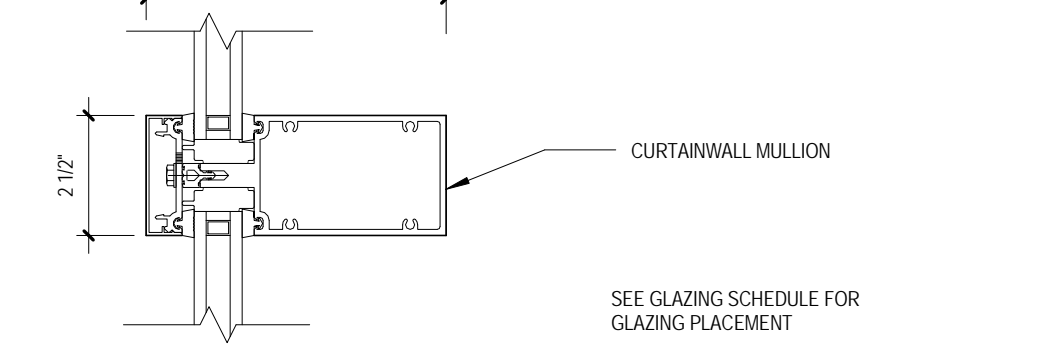


6 Ext. Curtainwall - Plan Wall Edge Condition  
A611 3" = 1'-0"

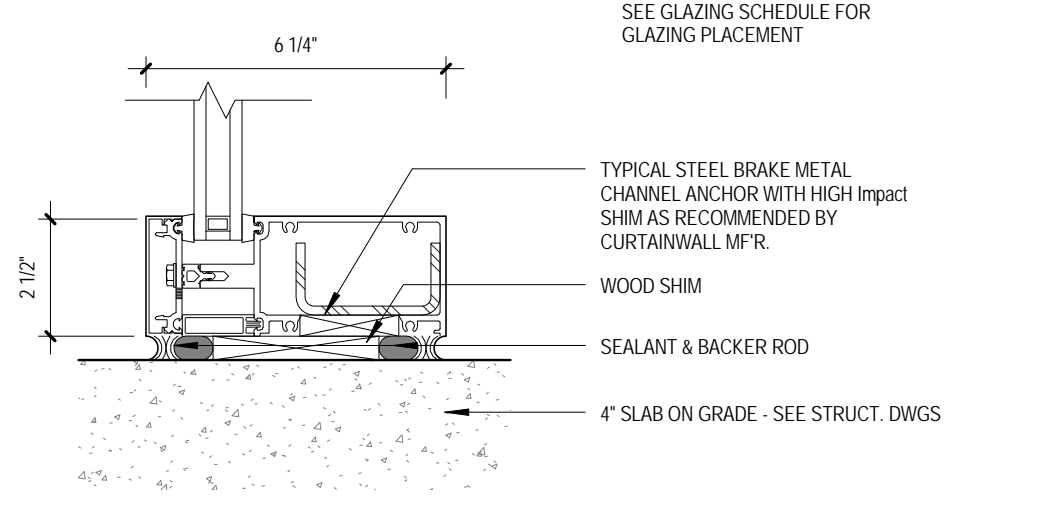
5 Ext. Curtainwall - Vertical Mullion  
A611 3" = 1'-0"



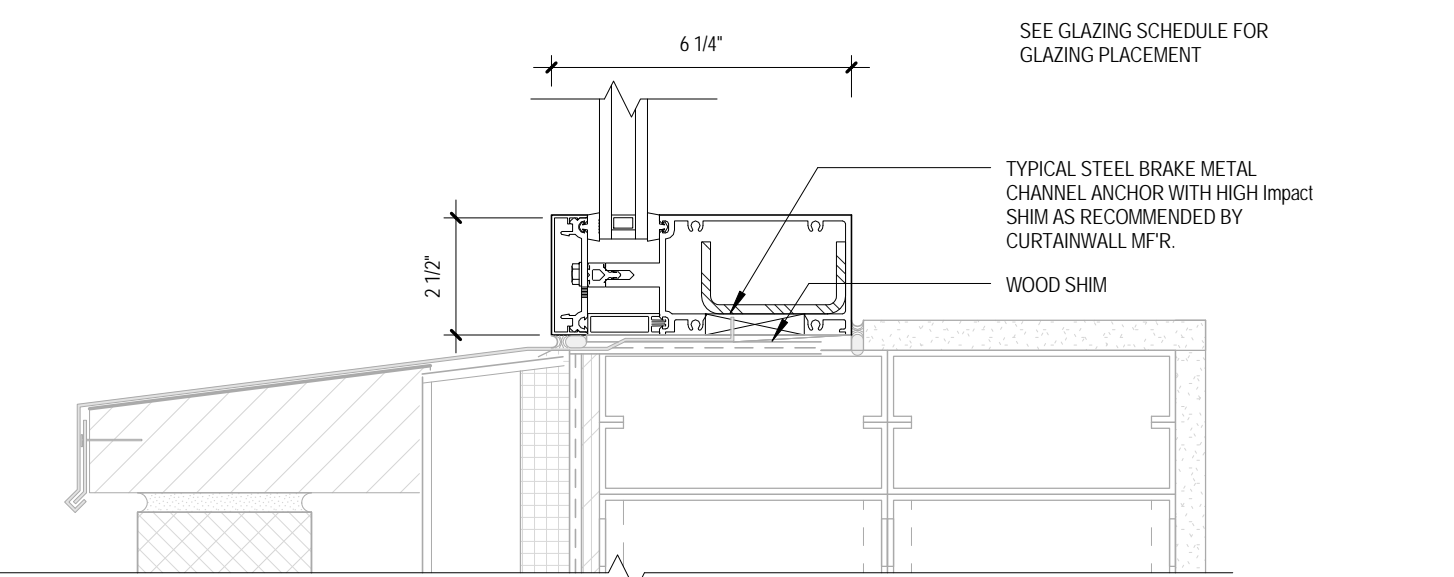
4 Ext. Curtainwall - Ceiling  
A611 3" = 1'-0"



3 Ext. Curtainwall - Horizontal Mullion  
A611 3" = 1'-0"



2 Ext. Curtainwall - Floor  
A611 3" = 1'-0"



1 Ext. Curtainwall - Half Wall  
A611 3" = 1'-0"



**Bid Set**

No.	Date	Description
1	01-30-2013	Addendum 4

**Revisions**

**Date**  
14 November 2012

**Project Title**  
William R. Sharpe  
Hospital  
50 Bed Addition

936 Sharpe Hospital Road  
Weston, WV 26452-8550

**Drawing Title**  
Window and Glazing  
Types and Schedules

**Project Number**  
11-170

**Drawing Number**  
A611