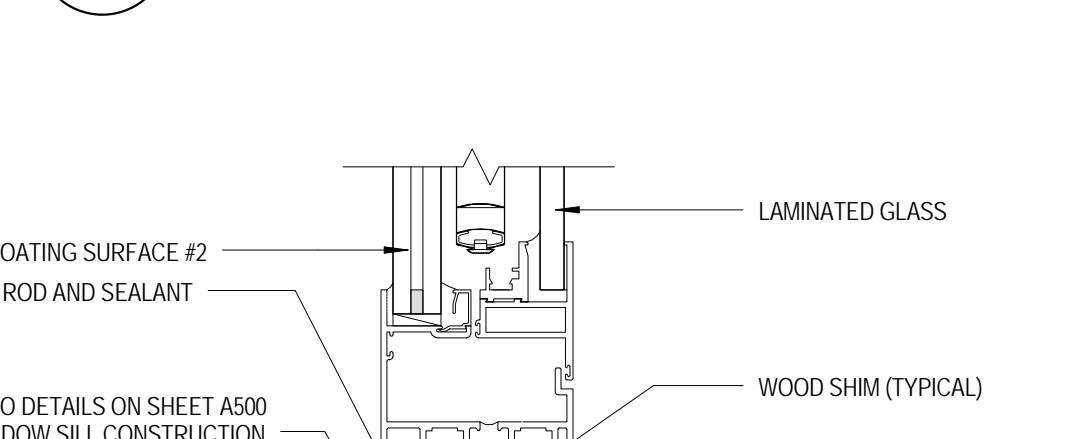
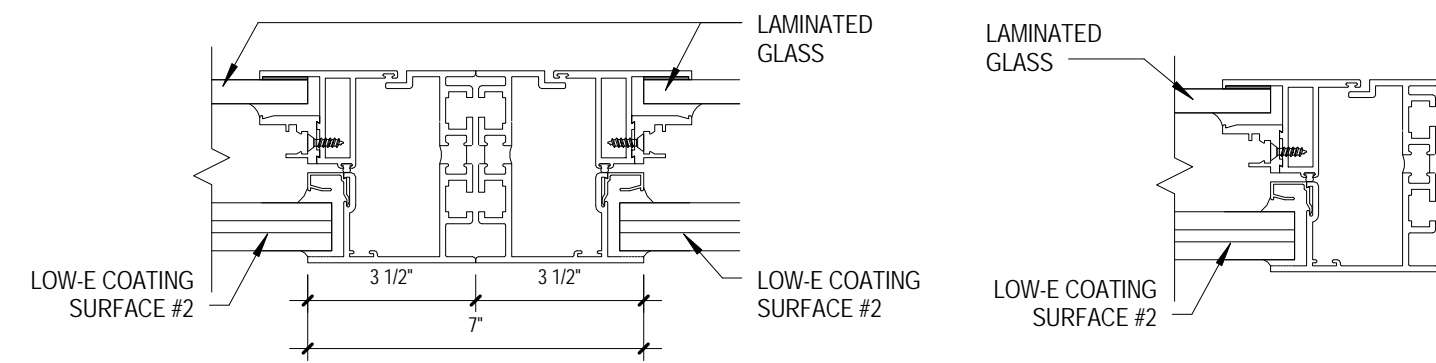


30 Aluminum Window Head
A610 3" = 1'-0"



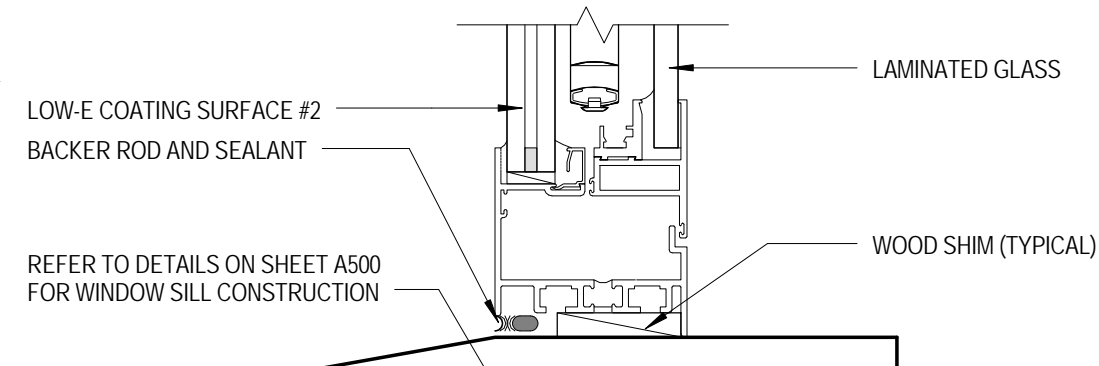
33 Mullion
A610 3" = 1'-0"



32 Plan
A610 3" = 1'-0"



31 Aluminum Window Sill
A610 3" = 1'-0"



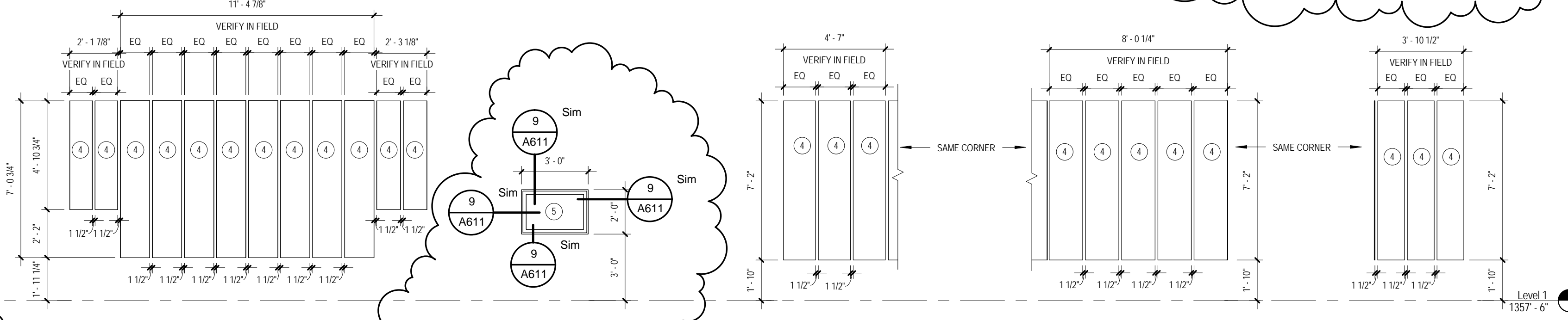
Glass Schedule

1	3 1/2" INSULATED UNIT	INTERIOR: CLEAR LAMINATED SECURITY PANE
		EXTERIOR: 1" INSULATING UNIT (TINTED) WITH LOW-E COATING SURFACE #2
2	1" INSULATED UNIT	INTERIOR: CLEAR LAMINATED SECURITY PANE
		EXTERIOR: CLEAR GLAZING WITH LOW-E COATING SURFACE #2
3	1" INSULATED SHADED UNIT	INTERIOR: CLEAR LAMINATED SECURITY PANE
		EXTERIOR: TINTED GLAZING WITH LOW-E COATING SURFACE #2
4	1/4" CLEAR TEMPERED GLAZING	
5	1/2" ONE-WAY MIRROR LAMINATED SECURITY PANE	
6	1" INSULATED UNIT	INTERIOR: CLEAR GLAZING
		EXTERIOR: CLEAR GLAZING WITH LOW-E COATING SURFACE #2
7	3/8" FIRE RATED GLAZING	
8	3/8" CLEAR LAMINATED SECURITY PANE	

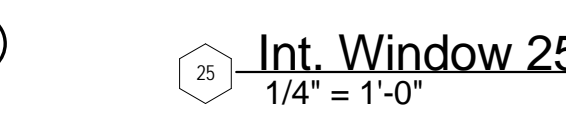
REFER TO DETAILS FOR GLAZING ORDER AND PLACEMENT

WINDOW NO LONGER USED IN PROJECT

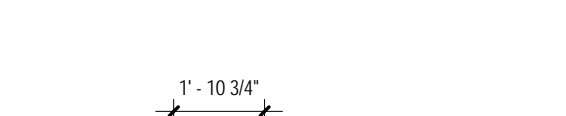
26 Int. Window 26
1/4" = 1'-0"



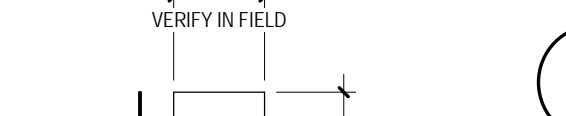
25 Int. Window 25
1/4" = 1'-0"



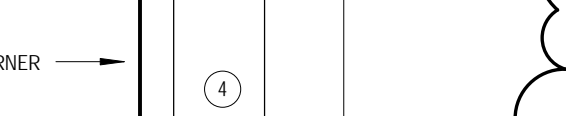
24 Int. Window 24
1/4" = 1'-0"



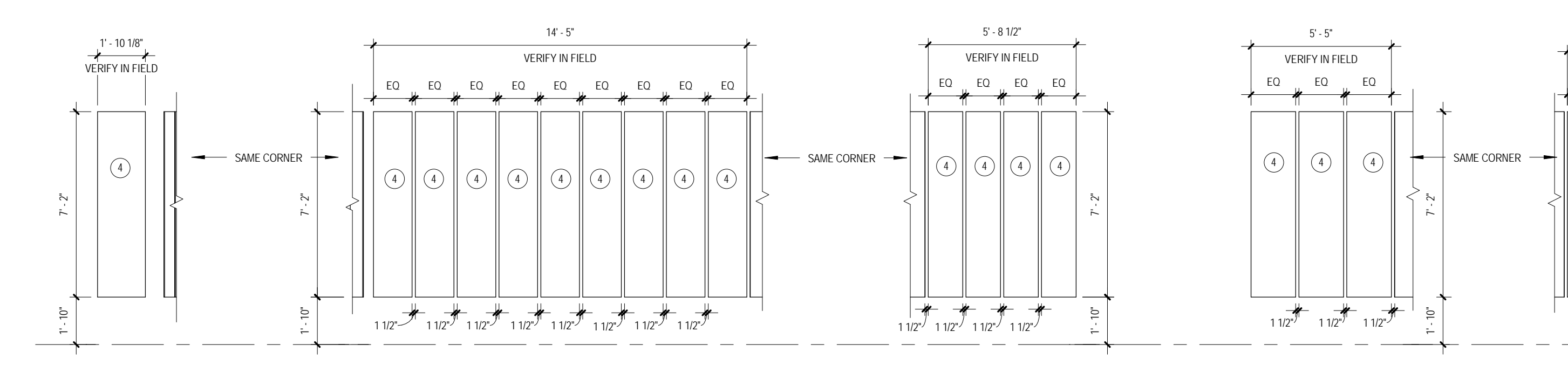
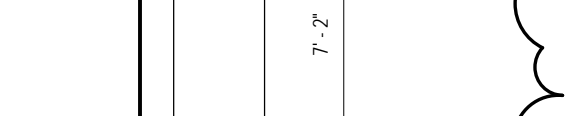
23-3 Int. Window 23-3
1/4" = 1'-0"



23-2 Int. Window 23-2
1/4" = 1'-0"



23-1 Int. Window 23-1
1/4" = 1'-0"



22-3 Int. Window 22-3
1/4" = 1'-0"

22-2 Int. Window 22-2
1/4" = 1'-0"

22-1 Int. Window 22-1
1/4" = 1'-0"

21-3 Int. Window 21-3
1/4" = 1'-0"

21-2 Int. Window 21-2
1/4" = 1'-0"

21-1 Int. Window 21-1
1/4" = 1'-0"

20 Int. Window 20
1/4" = 1'-0"

19 Int. Window 19
1/4" = 1'-0"

18 Int. Window 18
1/4" = 1'-0"

17 Int. Window 17
1/4" = 1'-0"

16 Int. Window 16
1/4" = 1'-0"

15 Ext. Window 15
1/4" = 1'-0"

14 Ext. Window 14
1/4" = 1'-0"

13 Ext. Window 13
1/4" = 1'-0"

12 Ext. Window 12
1/4" = 1'-0"

11 Ext. Window 11
1/4" = 1'-0"

10 Ext. Window 10
1/4" = 1'-0"

9 Ext. Window 9
1/4" = 1'-0"

8 Ext. Window 8
1/4" = 1'-0"

7 Ext. Window 7
1/4" = 1'-0"

6 Ext. Window 6
1/4" = 1'-0"

5 Ext. Window 5
1/4" = 1'-0"

4 Ext. Window 4
1/4" = 1'-0"

3 Ext. Window 3
1/4" = 1'-0"

2 Ext. Window 2
1/4" = 1'-0"

1 Ext. Window 1
1/4" = 1'-0"



Bid Set

No.	Date	Description
1	01-30-2013	Addendum 4

Revisions

Date
14 November 2012

Project Title
William R. Sharpe Hospital
50 Bed Addition

936 Sharpe Hospital Road
Weston, WV 26452-8550

Drawing Title
Window and Glazing
Types and Schedules

Project Number
11-170

Drawing Number
A610