



State of West Virginia  
 Department of Administration  
 Purchasing Division  
 2019 Washington Street East  
 Post Office Box 50130  
 Charleston, WV 25305-0130

**Solicitation**

NUMBER
LOT508

PAGE
1

ADDRESS CORRESPONDENCE TO ATTENTION OF:
CONNIE OSWALD 304-558-2157

VENDOR

RFQ COPY  
 TYPE NAME/ADDRESS HERE

SHIP TO

WEST VIRGINIA LOTTERY  
 900 PENNSYLVANIA AVE  
 CHARLESTON, WV  
 25302 304-558-0500

DATE PRINTED
05/24/2013

BID OPENING DATE: 06/04/2013 BID OPENING TIME 1:30PM

LINE	QUANTITY	UOP	CAT. NO.	ITEM NUMBER	UNIT PRICE	AMOUNT
				ADDENDUM NO. 2		
1.				TO PROVIDE SPECIFICATION CLARIFICATIONS AND PROVIDE DRAWINGS.		
2.				TO PROVIDE THE ADDENDUM ACKNOWLEDGMENT. THIS DOCUMENT SHOULD BE SIGNED AND RETURNED WITH YOUR BID. FAILURE TO SIGN AND RETURN MAY RESULT IN DISQUALIFICATION OF YOUR BID.		
				END OF ADDENDUM NO. 2		

SIGNATURE	TELEPHONE	DATE
TITLE	FEIN	ADDRESS CHANGES TO BE NOTED ABOVE

WHEN RESPONDING TO SOLICITATION, INSERT NAME AND ADDRESS IN SPACE ABOVE LABELED 'VENDOR'

SOLICITATION NUMBER: LOT508

Addendum Number: 02

---

The purpose of this addendum is to modify the solicitation identified as (“Solicitation”) to reflect the change(s) identified and described below.

**Applicable Addendum Category:**

- Modify bid opening date and time
- Modify specifications of product or service being sought
- Attachment of vendor questions and responses
- Attachment of pre-bid sign-in sheet
- Correction of error
- Other

**Description of Modification to Solicitation:**

1. To provide specification clarifications and provide drawings.
2. To provide the addendum acknowledgment.

**Additional Documentation:** Documentation related to this Addendum (if any) has been included herewith as Attachment A and is specifically incorporated herein by reference.

**Terms and Conditions:**

1. All provisions of the Solicitation and other addenda not modified herein shall remain in full force and effect.
2. Vendor should acknowledge receipt of all addenda issued for this Solicitation by completing an Addendum Acknowledgment, a copy of which is included herewith. Failure to acknowledge addenda may result in bid disqualification. The addendum acknowledgement should be submitted with the bid to expedite document processing.

ATTACHMENT A

West Virginia Lottery  
LOT508  
Addendum #2

Specification Clarifications:

Updated Drawings (3)

Vendor will be required to make the fresh duct connections and all power wiring / connections.

Material Changes as follows:

3.2.1 QTY - 1 - Model # BSV6Q36PVJU (6) Port Branch Selector Box (or equal)

3.2.2 QTY - 4 - Model # FXZQ07M7VJU Indoor Unit (or equal)

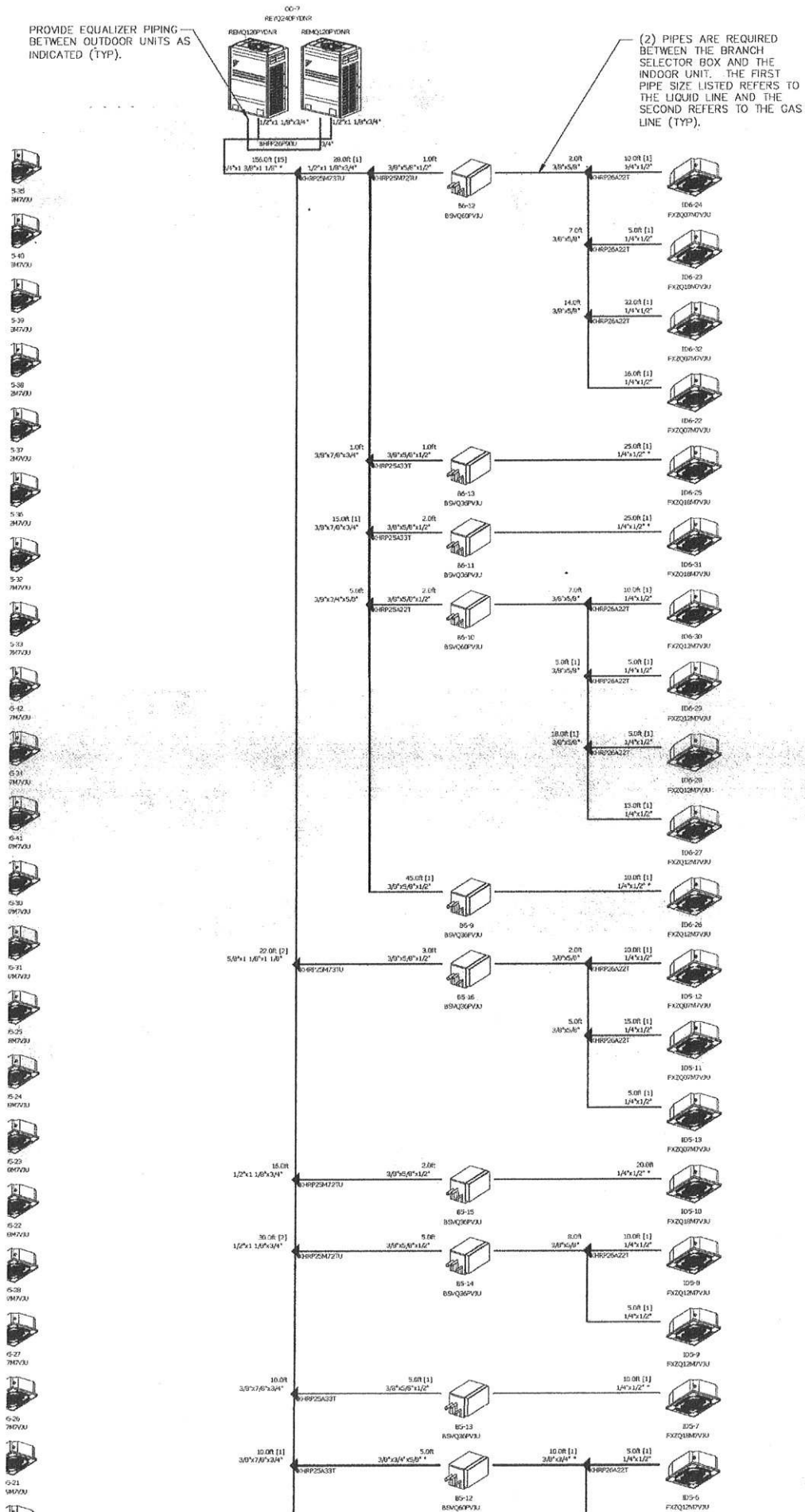
3.2.4 QTY - 1 - Model # KHRP25M72TU Pipe RefNet Joint (or equal)

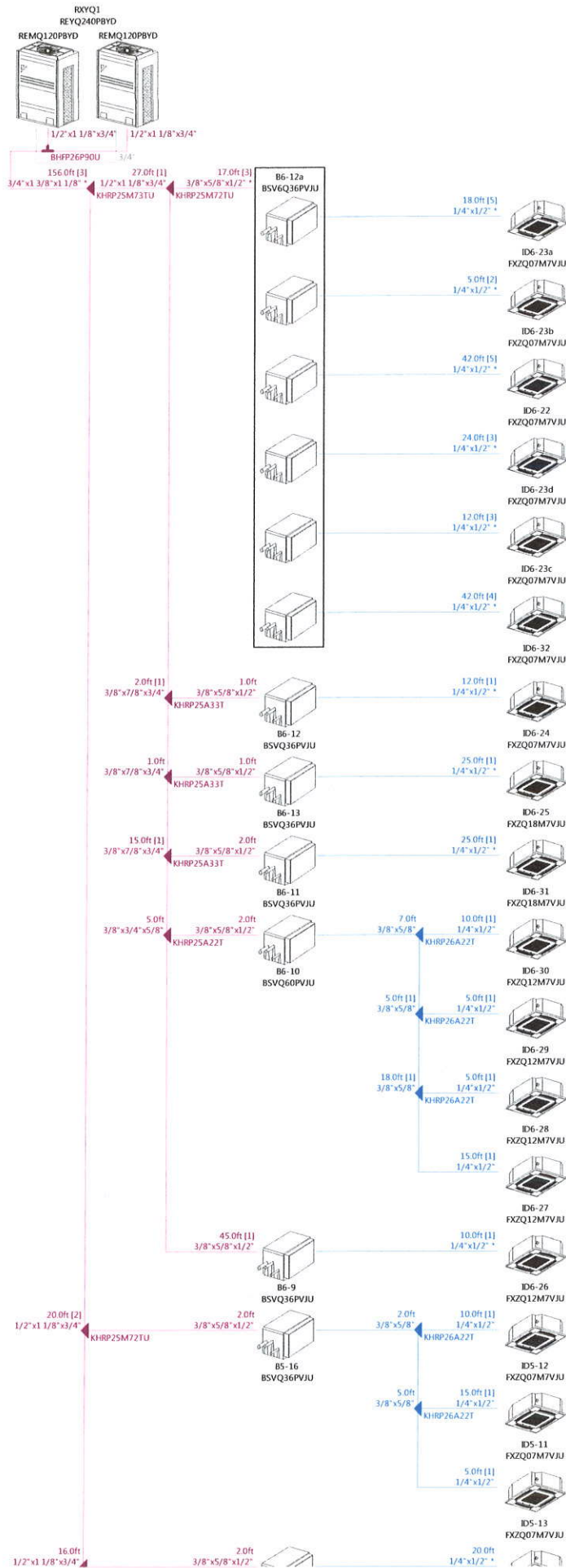
Add: 3.2.8 QTY - 4 - 4" Iris Dampers (or equal)

Leave B6-12 in place and connect the new (6) port branch selector box up stream of the existing branch selector box.

B6-12 will serve ID6-24 in the hallway, all other fan coils associated with B6-12 will be moved to the new (6) port branch selector box (Section 3.2.1-Addendum #2) for individual room control per new drawings.

Vendor must have authorized factory start-up to verify that the system is installed correctly and that required pressure test and vacuum requirements are met, per manufacturer's specifications. Refrigerant will be included in factory authorized start-up.





**ADDENDUM ACKNOWLEDGEMENT FORM**  
**SOLICITATION NO.: LOT508**

**Instructions:** Please acknowledge receipt of all addenda issued with this solicitation by completing this addendum acknowledgment form. Check the box next to each addendum received and sign below. Failure to acknowledge addenda may result in bid disqualification.

**Acknowledgment:** I hereby acknowledge receipt of the following addenda and have made the necessary revisions to my proposal, plans and/or specification, etc.

**Addendum Numbers Received:**

(Check the box next to each addendum received)

- |   |  |
|---|--|
| <input type="checkbox"/> Addendum No. 1 | <input type="checkbox"/> Addendum No. 6  |
| <input type="checkbox"/> Addendum No. 2 | <input type="checkbox"/> Addendum No. 7  |
| <input type="checkbox"/> Addendum No. 3 | <input type="checkbox"/> Addendum No. 8  |
| <input type="checkbox"/> Addendum No. 4 | <input type="checkbox"/> Addendum No. 9  |
| <input type="checkbox"/> Addendum No. 5 | <input type="checkbox"/> Addendum No. 10 |

I understand that failure to confirm the receipt of addenda may be cause for rejection of this bid. I further understand that any verbal representation made or assumed to be made during any oral discussion held between Vendor's representatives and any state personnel is not binding. Only the information issued in writing and added to the specifications by an official addendum is binding.

\_\_\_\_\_  
Company

\_\_\_\_\_  
Authorized Signature

\_\_\_\_\_  
Date

NOTE: This addendum acknowledgement should be submitted with the bid to expedite document processing.  
 Revised 6/8/2012