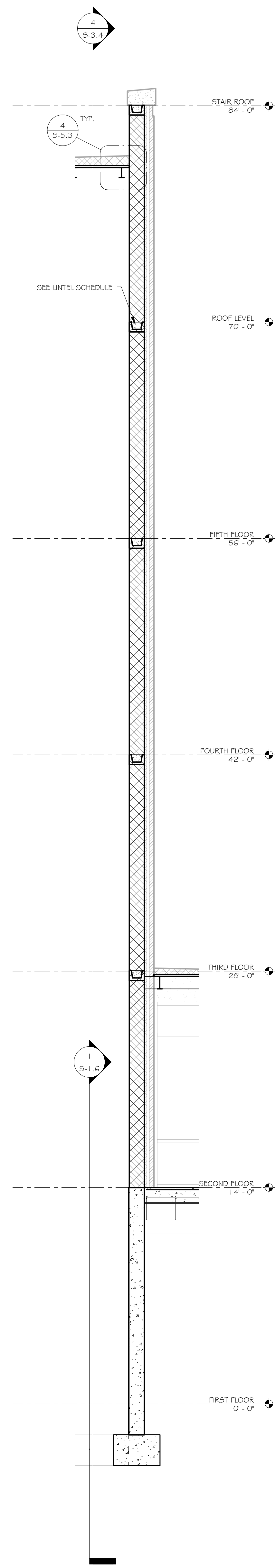
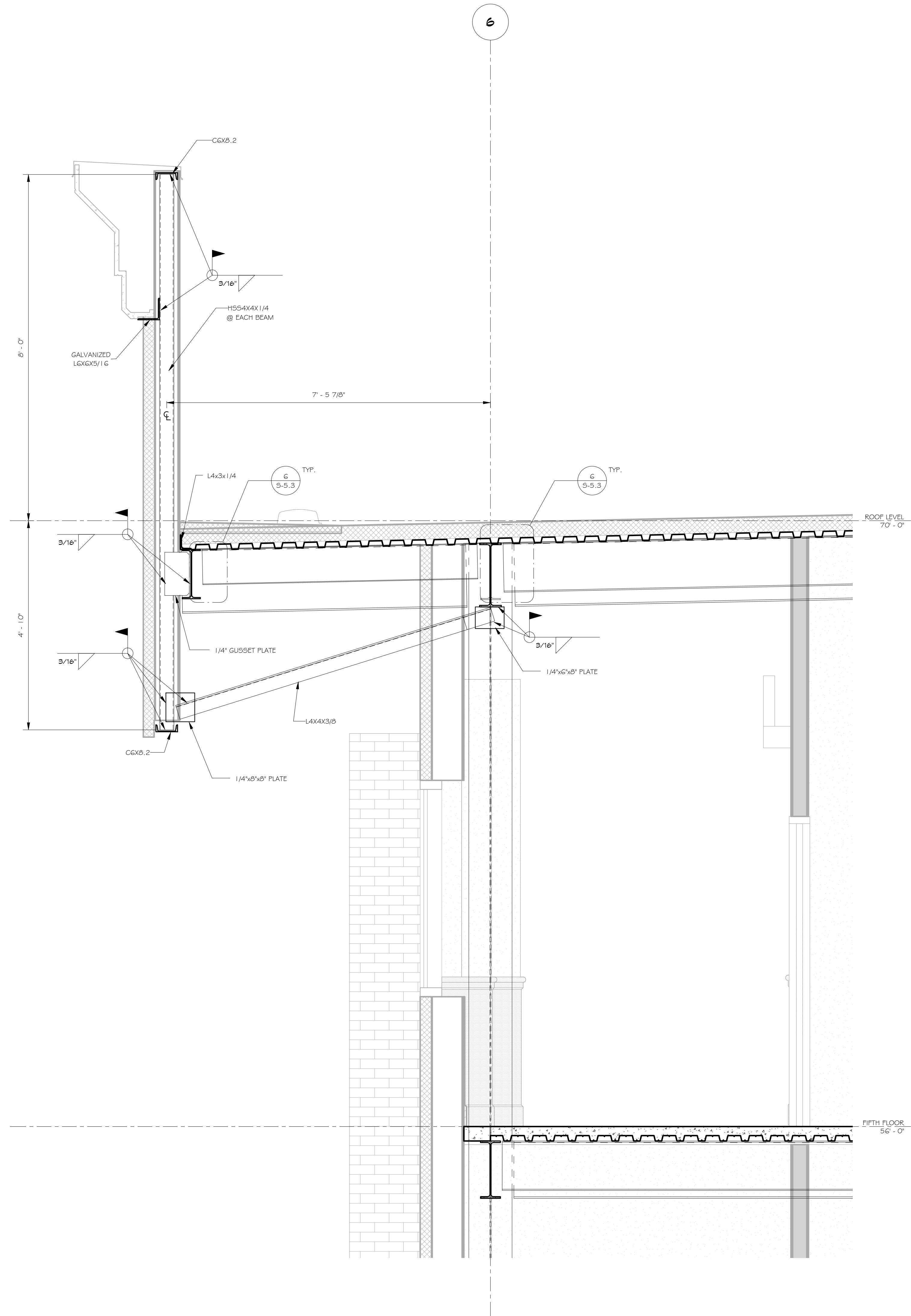


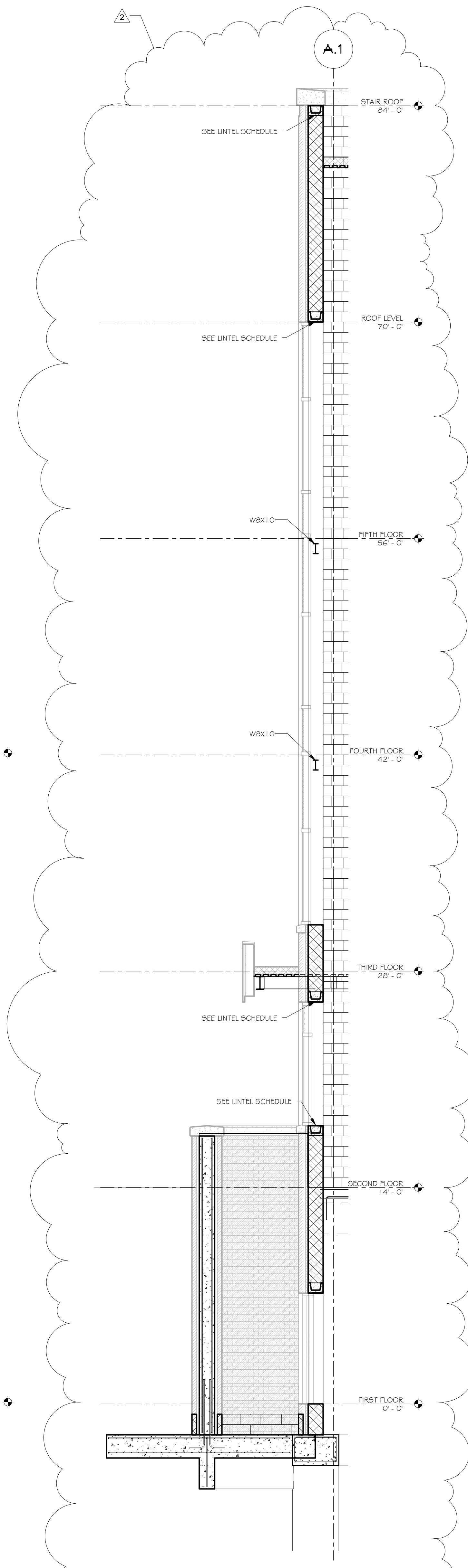
1 BUILDING SECTION
S-S, 4 SCALE: 1/4" = 1'-0"



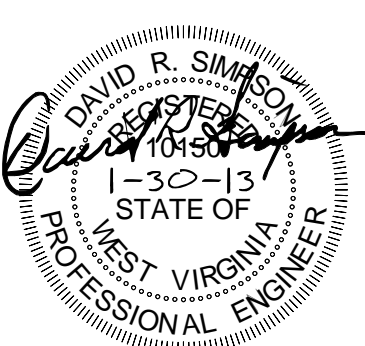
2 STAIR TOWER SECTION
S-S, 4 SCALE: 1/4" = 1'-0"



3 ROOF EDGE SECTION
S-S, 4 SCALE: 3/4" = 1'-0"



4 STAIR TOWER SECTION
S-S, 4 SCALE: 1/4" = 1'-0"



ATTACHMENT Z
2 5/16/13 Addendum 2
REVISIONS

NEW STATE OFFICE
BUILDING - FAIRMONT
FAIRMONT, WV
ADAMS AND MADISON STREETS

03/06/13
omni
associates
architects
1543 FAIRMONT AVENUE
FAIRMONT, WV 26534
(toll free) 855.367.1417
omniassociates.com



BUILDING SECTIONS

S-3.4



COMMONWEALTH RIGHTS RESERVED. REPRODUCTION IN WHOLE OR IN PART IS PROHIBITED. THIS DRAWING IS AN INSTRUMENT OF SERVICE. THE PROPERTY OF THE ARCHITECT. NO PART MAY BE USED IN ANY MANNER WITHOUT THE WRITTEN PERMISSION OF THE FIRM.
PROJECT No. 2086 DRAWN BY: DSR