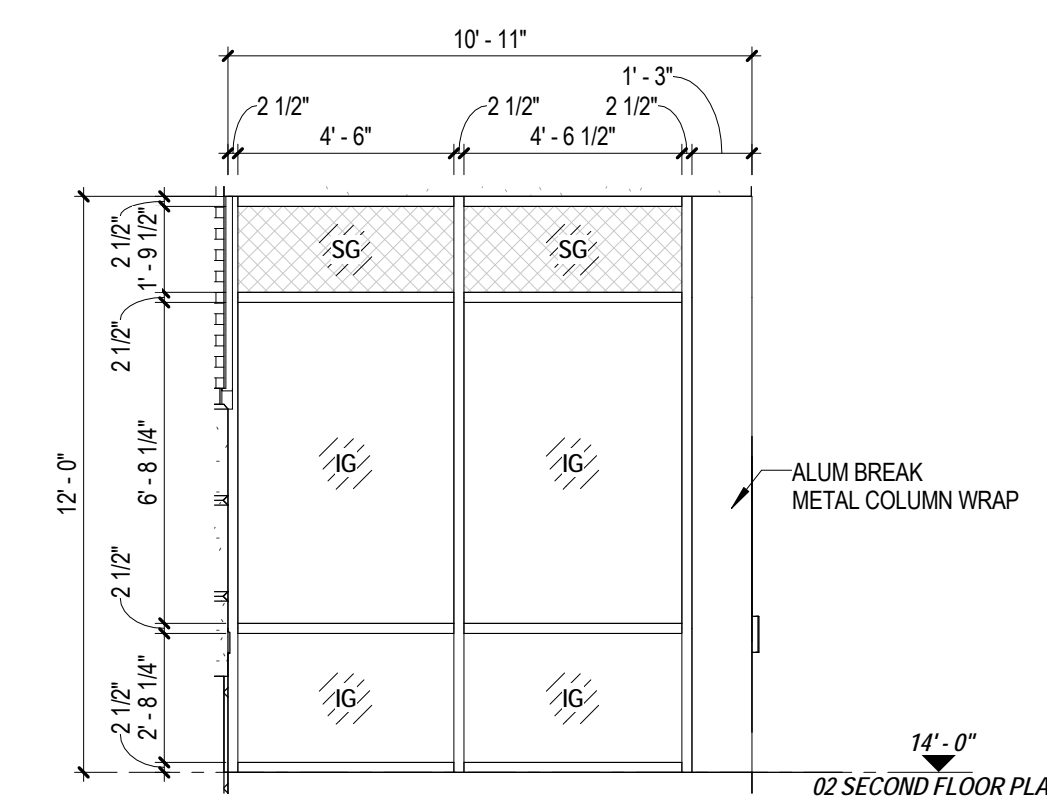
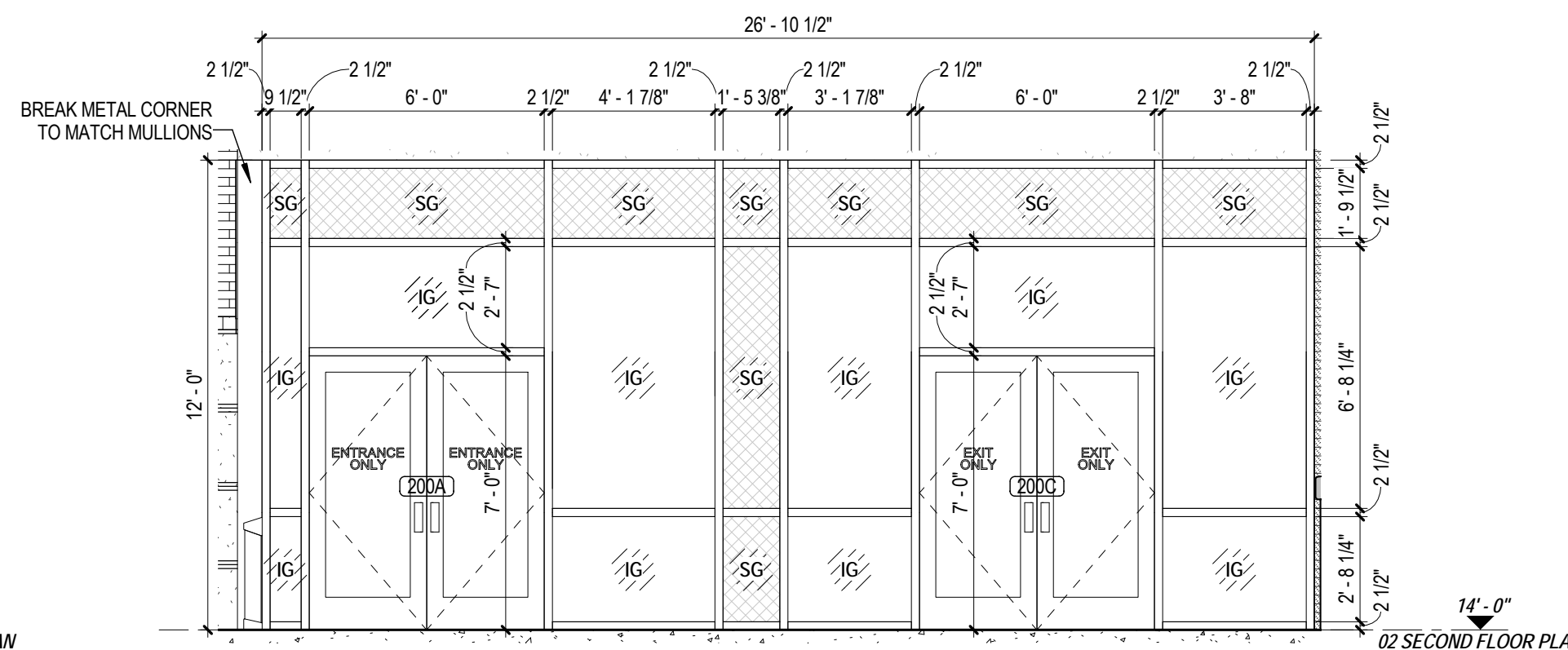


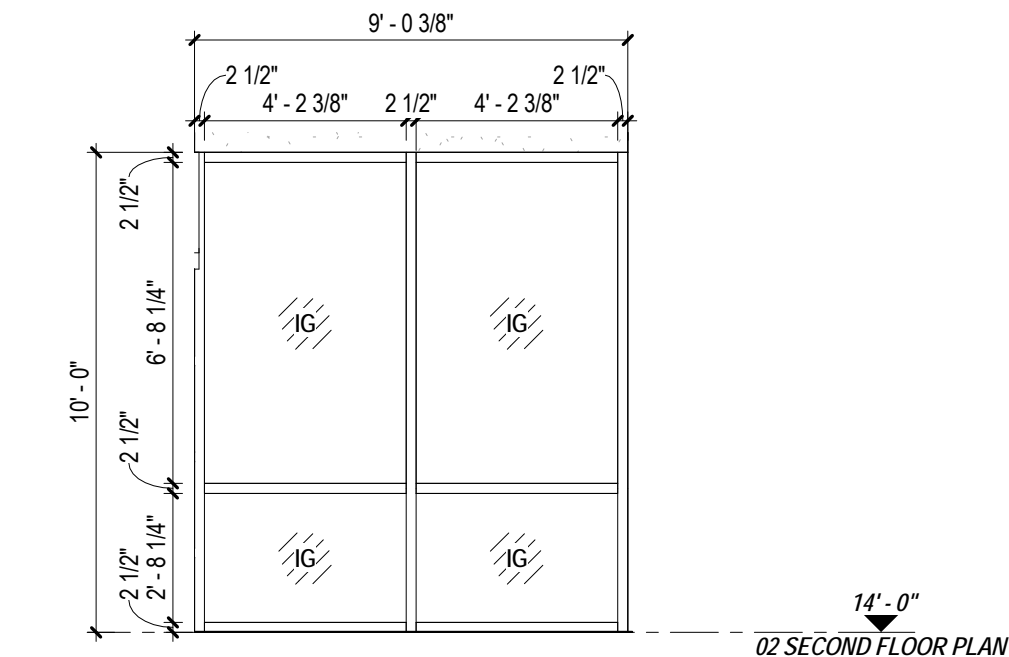
CW13 CW13 ELEV
SCALE: 1/4" = 1'-0"
SHEET: A-5.4



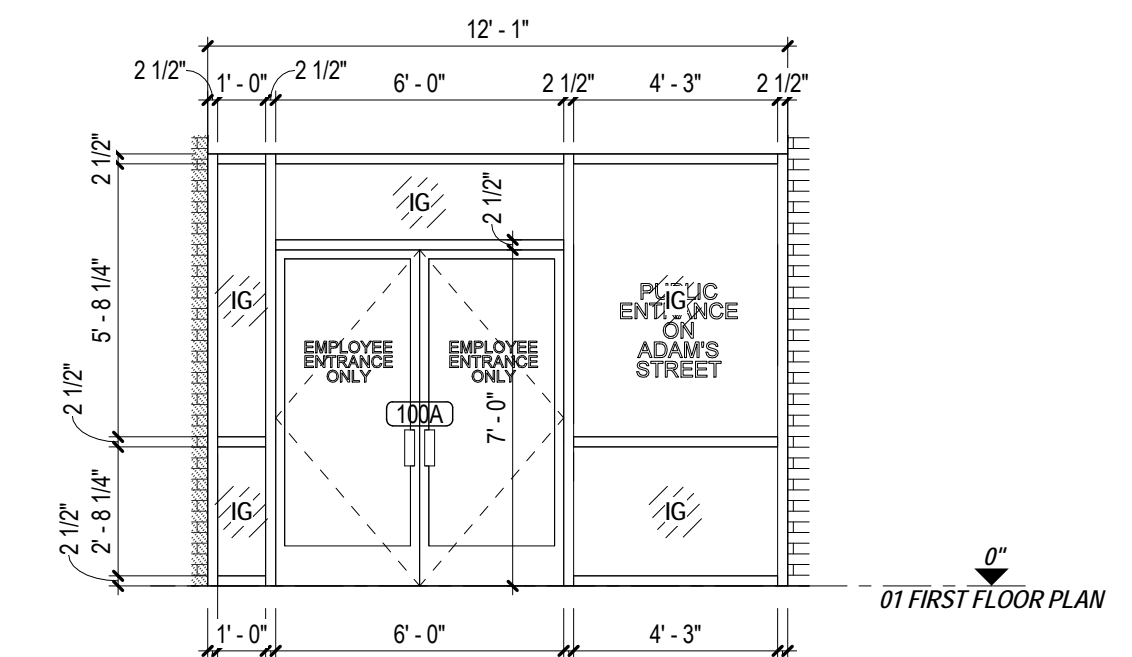
CW14A CW14A - ELEV
SCALE: 1/4" = 1'-0"
SHEET: A-5.4



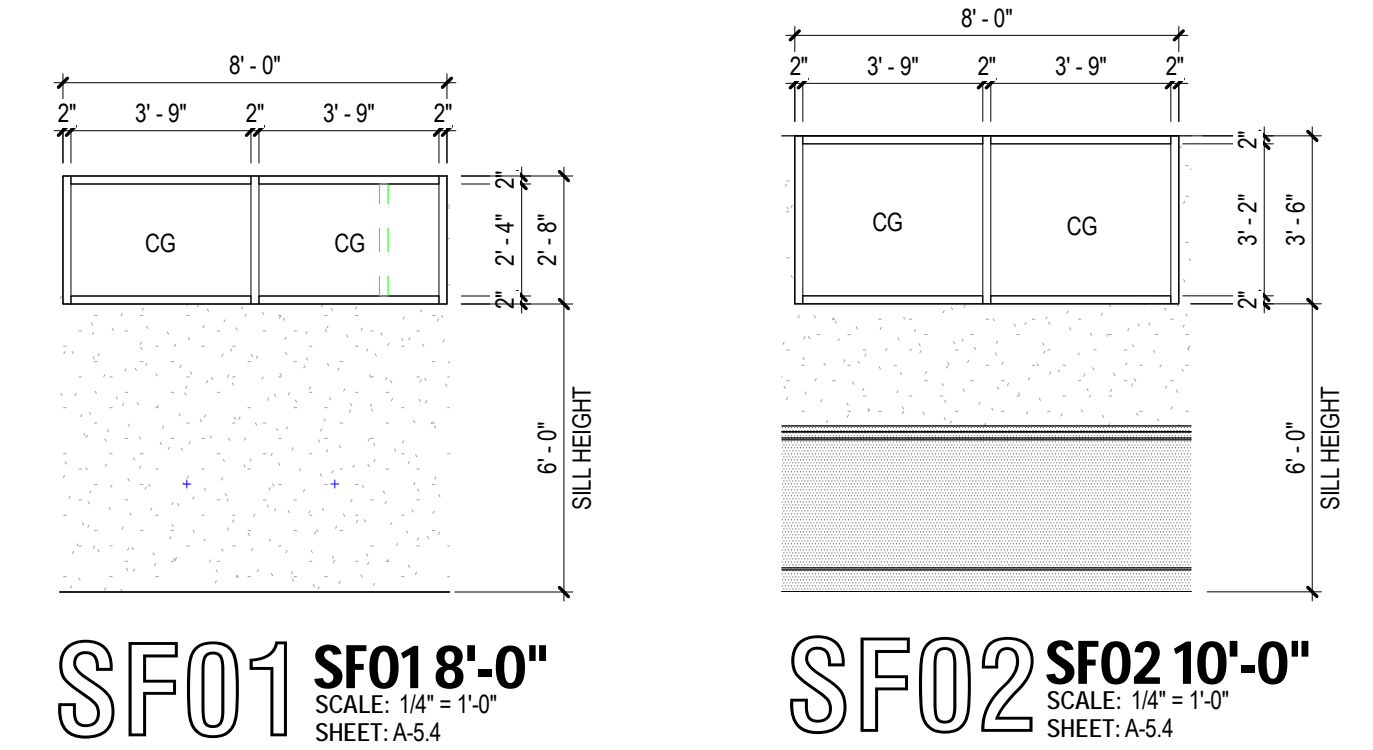
CW14B CW14B - ELEV
SCALE: 1/4" = 1'-0"
SHEET: A-5.4



CW14C CW14C - ELEV
SCALE: 1/4" = 1'-0"
SHEET: A-5.4

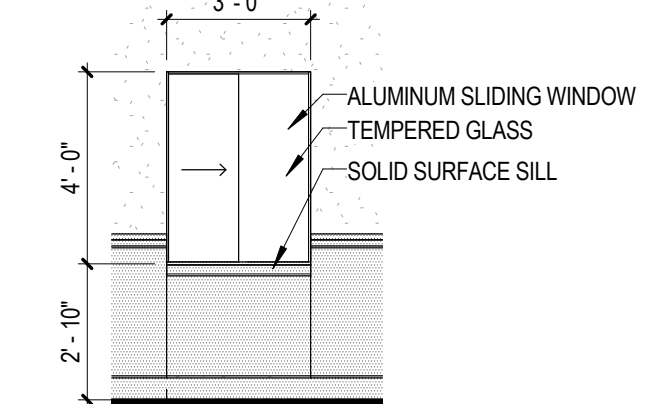


CW15A CW15A - ELEV
SCALE: 1/4" = 1'-0"
SHEET: A-5.4

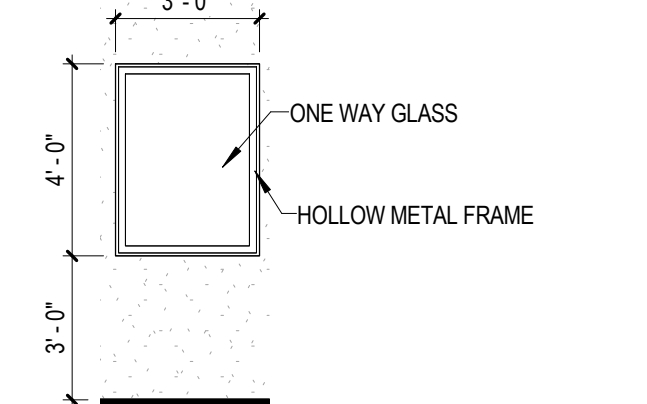


SF01 SF01 8'-0"
SCALE: 1/4" = 1'-0"
SHEET: A-5.4

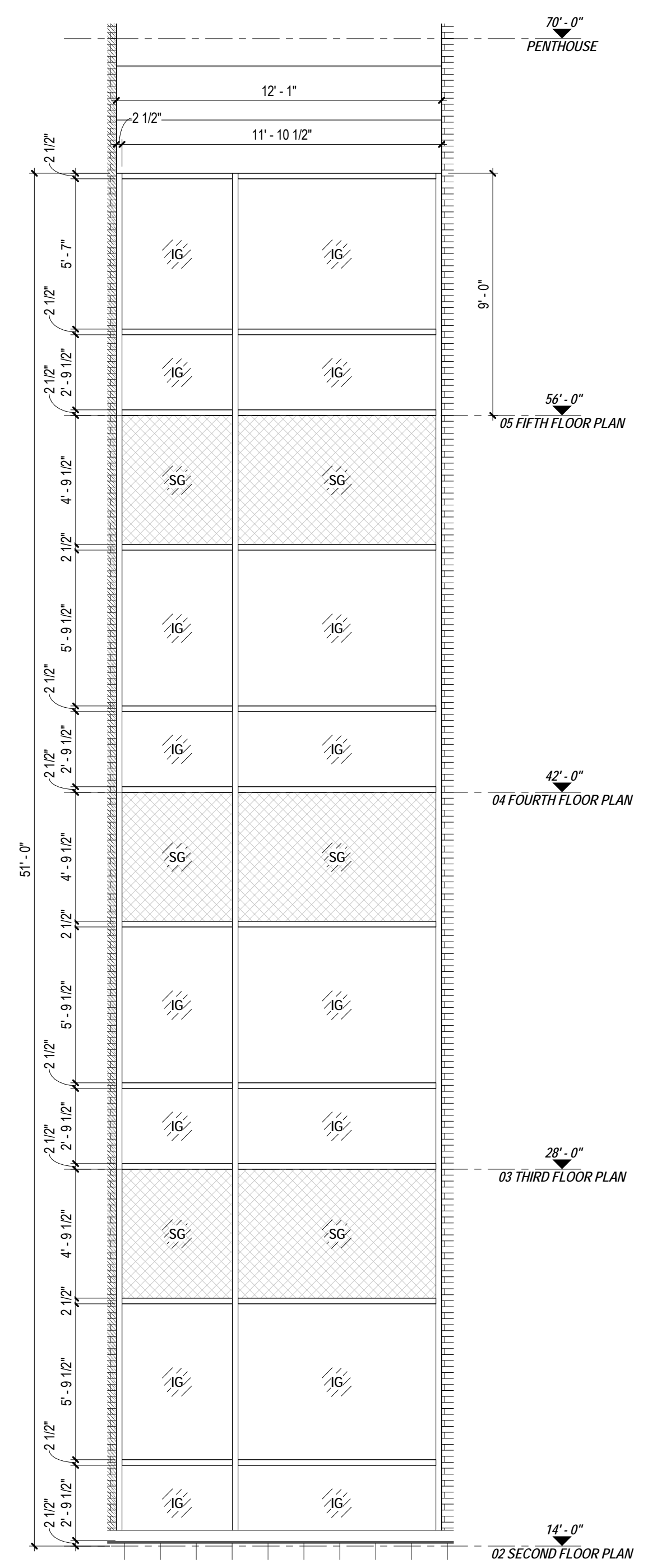
SF02 SF02 10'-0"
SCALE: 1/4" = 1'-0"
SHEET: A-5.4



W-1 W-1
SCALE: 1/4" = 1'-0"
SHEET: A-5.4



W-2 W-2
SCALE: 1/4" = 1'-0"
SHEET: A-5.4



CW15B CW15B - ELEV
SCALE: 1/4" = 1'-0"
SHEET: A-5.4

ATTACHMENT Y
2 5/0713 Addendum 2
REVISIONS

NEW STATE OFFICE
BUILDING - FAIRMONT
STATE OF WEST VIRGINIA
416 ADAMS STREET
FAIRMONT, WV
BID DOCUMENTS
3/8/2013

omni
associates
architects
1543 FAIRMONT AVENUE
FAIRMONT, WV 26534
(toll free) 855.367.1417
omniassociates.com

FAA
CURTAINWALL &
STOREFRONT
ELEVATIONS
A-5.4
COMMON SENSE RIGHTS RESERVED. REPRODUCTION IN WHOLE OR IN PART IS PROHIBITED. THIS DRAWING IS AN INSTRUMENT OF SERVICE. IT IS THE PROPERTY OF THE ARCHITECT AND MAY NOT BE USED IN ANY WAY WITHOUT THE WRITTEN PERMISSION OF THE FIRM.
PROJECT No. 2086 DRAWN BY: N. CAM