



State of West Virginia
 Department of Administration
 Purchasing Division
 2019 Washington Street East
 Post Office Box 50130
 Charleston, WV 25305-0130

Solicitation

NUMBER
DPS1336

PAGE
1

ADDRESS CORRESPONDENCE TO ATTENTION OF:
TARA LYLE 304-558-2544

RFQ COPY
 TYPE NAME/ADDRESS HERE

VENDOR

SHIP TO

WEST VIRGINIA STATE POLICE

4124 KANAWHA TURNPIKE
 SOUTH CHARLESTON, WV
 25309 304-746-2141

DATE PRINTED
06/13/2013

BID OPENING DATE: 06/25/2013

BID OPENING TIME 1:30PM

LINE	QUANTITY	UOP	CAT. NO.	ITEM NUMBER	UNIT PRICE	AMOUNT
				ADDENDUM NO. 7		
				SEE ATTACHED PAGES.		
				END OF ADDENDUM NO. 7		
0001	1	JB	910-66	ROOFING MAINTENANCE, REPAIR, AND INSTALLATION		
***** THIS IS THE END OF RFQ DPS1336 ***** TOTAL:						

SIGNATURE		TELEPHONE	DATE
TITLE	FEIN	ADDRESS CHANGES TO BE NOTED ABOVE	

WHEN RESPONDING TO SOLICITATION, INSERT NAME AND ADDRESS IN SPACE ABOVE LABELED 'VENDOR'

SOLICITATION NUMBER: DPS1336
Addendum Number: 7

The purpose of this addendum is to modify the solicitation identified as DPS1336 ("Solicitation") to reflect the change(s) identified and described below.

Applicable Addendum Category:

- Modify bid opening date and time
- Modify specifications of product or service being sought
- Attachment of vendor questions and responses
- Attachment of pre-bid sign-in sheet
- Correction of error
- Other

Description of Modification to Solicitation: The bid opening date has moved from June 18, 2013 to June 25, 2013. Responses to vendor questions and revised bid form attached.

Additional Documentation: Documentation related to this Addendum (if any) has been included herewith as Attachment A and is specifically incorporated herein by reference.

Terms and Conditions:

1. All provisions of the Solicitation and other addenda not modified herein shall remain in full force and effect.
2. Vendor should acknowledge receipt of all addenda issued for this Solicitation by completing an Addendum Acknowledgment, a copy of which is included herewith. Failure to acknowledge addenda may result in bid disqualification. The addendum acknowledgement should be submitted with the bid to expedite document processing.

Questions:

Q1: Will a cost per square foot for replacement of existing insulation be added to the bid form?

A1: Yes, see revised Bid Form – Attachment B.

Q2: Will a cost per square foot for replacement of existing roof deck be added to the bid form?

A2: Yes, see revised Bid Form – Attachment B.

Q3: Is a protection mat required over the entire roof system beneath the ballast?

A3: Yes

Q4: Can a roof plan be provided showing where pavers are to be installed?

A4: Yes - See attachment C.

Q5: Are perimeter wood nailers to be modified to match new insulation height and to maintain a flush condition around the perimeter of the building?

A5: Yes

Q6: Are 6" seams required?

A6: Yes

Q7: Is roofing ballast to be enhanced to meet the 72mph wind append warranty?

A7: Yes

Clarifications:

1. To clarify Section 1.01-Section B-

John Manville and Firestone Brands are acceptable and approved.

2. To clarify Section 1.02-Section D-

The line in the specification is for submitting a roofing system other than the EPDM such as Asphalt Built Up System, Thermal Plastic or Modified. It states on Section 1.01 B that any equal is acceptable including Firestone and John Manville.

3. The bid opening has moved from 06/18/2013 to 06/25/2013. The bid opening time remains at 1:30 pm.

RFQ #DPS 1336
Revised Bid Form – Addendum #7
June 13, 2013

**ALL LABOR, MATERIALS, EQUIPMENT AND SUPPLIES NECESSARY
TO INSTALL NEW ROOFING ON THE WV STATE POLICE TRAFFIC
RECORDS FACILITY, 725 JEFFERSON ROAD, SO. CHARLESTON, WV**

BID FORM

Bidders Company Name: _____

Bidder's Address: _____

Remittance Address: _____
(if different)

Phone Number: _____

Fax Number: _____

Email Address: _____

WV Contractor's License Number: _____

We, the undersigned, hereby propose to furnish all materials, equipment, and labor to complete all work in a workmanlike manner, as described in the Bidding Documents.

CONTRACT BASE BID _____

(\$ _____) (Contract base bid to be written in words and numbers)

METAL DECKING PER SQUARE FOOTAGE COST BID (IF ANY)

(\$ _____) (Total to be written in words and numbers)

COST PER SQUARE FOOT FOR REPLACEMENT OF EXISTING INSULATION

(\$ _____) (Total to be written in words and numbers)

Basis of Award: The contract will be awarded to the vendor with the lowest contract base bid meeting all of the specifications.

Bidder understands that to the extent allowed by the West Virginia Code, the OWNER reserves the right to waive any informality or irregularity in any Bid, or Bids, and to reject any or all Bids in whole or in part; to reject a bid not accompanied by the required bid security or by other data required by the Bidding Documents; to reject any conditions of the bid by the Bidder that is in any way inconsistent with the requirements, terms and conditions of the Bidding Documents; or to reject a bid that is in any way incomplete or irregular.

RESPECTFULLY SUBMITTED

DATE: _____

WV VENDOR: _____

CONTRACTOR LICENSE NUMBER: _____

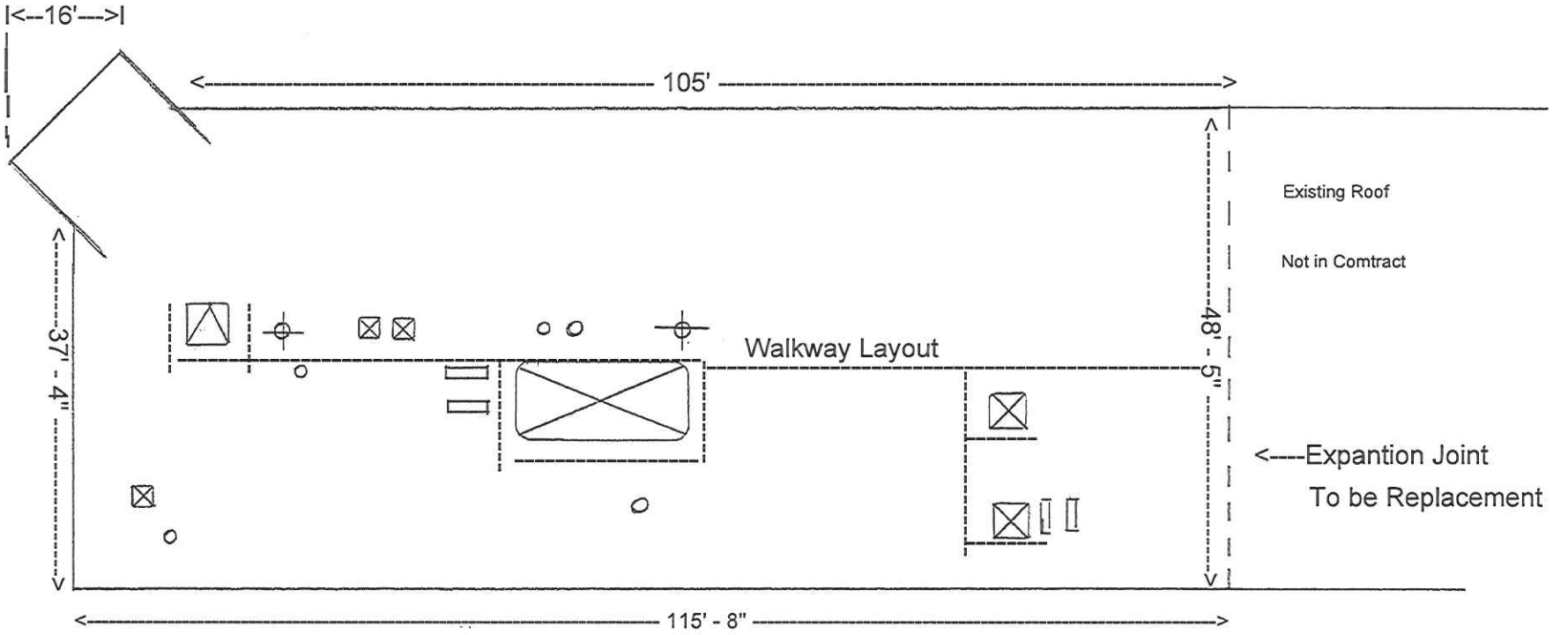
BY: _____
(SIGNATURE, IN INK)

TITLE: _____

FIRM NAME: _____ (CORPORATE SEAL
IF APPLICABLE)

ADDRESS: _____

END OF BID FORM



ADDENDUM ACKNOWLEDGEMENT FORM
SOLICITATION NO.: DPS1336

Instructions: Please acknowledge receipt of all addenda issued with this solicitation by completing this addendum acknowledgment form. Check the box next to each addendum received and sign below. Failure to acknowledge addenda may result in bid disqualification.

Acknowledgment: I hereby acknowledge receipt of the following addenda and have made the necessary revisions to my proposal, plans and/or specification, etc.

Addendum Numbers Received:

(Check the box next to each addendum received)

- | | |
|---|--|
| <input type="checkbox"/> Addendum No. 1 | <input type="checkbox"/> Addendum No. 6 |
| <input type="checkbox"/> Addendum No. 2 | <input type="checkbox"/> Addendum No. 7 |
| <input type="checkbox"/> Addendum No. 3 | <input type="checkbox"/> Addendum No. 8 |
| <input type="checkbox"/> Addendum No. 4 | <input type="checkbox"/> Addendum No. 9 |
| <input type="checkbox"/> Addendum No. 5 | <input type="checkbox"/> Addendum No. 10 |

I understand that failure to confirm the receipt of addenda may be cause for rejection of this bid. I further understand that that any verbal representation made or assumed to be made during any oral discussion held between Vendor's representatives and any state personnel is not binding. Only the information issued in writing and added to the specifications by an official addendum is binding.

Company

Authorized Signature

Date

NOTE: This addendum acknowledgment should be submitted with the bid to expedite document processing.