



State of West Virginia
 Department of Administration
 Purchasing Division
 2019 Washington Street East
 Post Office Box 50130
 Charleston, WV 25305-0130

Solicitation

NUMBER
DEP16241

PAGE
1

ADDRESS CORRESPONDENCE TO ATTENTION OF:
FRANK WHITTAKER 304-558-2316

RFQ COPY

TYPE NAME/ADDRESS HERE

VENDOR

SHIP TO

ENVIRONMENTAL PROTECTION
 DEPARTMENT OF
 OFFICE OF AML&R
 601 57TH STREET SE
 CHARLESTON, WV
 25304 304-926-0499

DATE PRINTED
06/18/2013

BID OPENING DATE: 06/25/2013

BID OPENING TIME 1:30PM

LINE	QUANTITY	UOP	CAT. NO.	ITEM NUMBER	UNIT PRICE	AMOUNT
				ADDENDUM NO. 1		
				ADDENDUM IS ISSUED:		
				1. TO PROVIDE ANSWER TO QUESTIONS REGARDING THE SOLICITATION.		
				2. TO PROVIDE REVISED DRAWINGS. DETAILED DRAWINGS ARE ATTACHED.		
				3. TO PROVIDE VENDORS A COPY OF THE MANDATORY PRE-BID MEETING SIGN-IN SHEET.		
				4. TO PROVIDE ADDENDUM ACKNOWLEDGEMENT. THIS DOCUMENT SHOULD BE SIGNED AND RETURNED WITH YOUR BID. FAILURE TO SIGN AND RETURN MAY RESULT IN THE DISQUALIFICATION OF YOUR BID.		
				END OF ADDENDUM NO. 1		

SIGNATURE		TELEPHONE	DATE
TITLE	FEIN	ADDRESS CHANGES TO BE NOTED ABOVE	

WHEN RESPONDING TO SOLICITATION, INSERT NAME AND ADDRESS IN SPACE ABOVE LABELED 'VENDOR'



State of West Virginia
 Department of Administration
 Purchasing Division
 2019 Washington Street East
 Post Office Box 50130
 Charleston, WV 25305-0130

Solicitation

NUMBER
DEP16241

PAGE
2

ADDRESS CORRESPONDENCE TO ATTENTION OF:
FRANK WHITTAKER 304-558-2316

RFQ COPY

TYPE NAME/ADDRESS HERE

VENDOR

SHIP TO

ENVIRONMENTAL PROTECTION
 DEPARTMENT OF
 OFFICE OF AML&R
 601 57TH STREET SE
 CHARLESTON, WV
 25304 304-926-0499

DATE PRINTED
06/18/2013

BID OPENING DATE: 06/25/2013 BID OPENING TIME 1:30PM

LINE	QUANTITY	UOP	CAT. NO.	ITEM NUMBER	UNIT PRICE	AMOUNT
0001	1	JB		962-73		
RECLAMATION: RESTORATION OF LAND & OTHER PROPERTIES						
***** THIS IS THE END OF RFQ DEP16241 ***** TOTAL:						

SIGNATURE		TELEPHONE	DATE
TITLE	FEIN	ADDRESS CHANGES TO BE NOTED ABOVE	

WHEN RESPONDING TO SOLICITATION, INSERT NAME AND ADDRESS IN SPACE ABOVE LABELED 'VENDOR'

SOLICITATION NUMBER: DEP16241
Addendum Number: 1

The purpose of this addendum is to modify the solicitation identified as (“Solicitation”) to reflect the change(s) identified and described below.

Applicable Addendum Category:

- | Modify bid opening date and time
- | Modify specifications of product or service being sought
- | Attachment of vendor questions and responses
- | Attachment of pre-bid sign-in sheet
- | Correction of error
- | Other

Description of Modification to Solicitation:

1. To provide answer to questions regarding the above solicitation.
2. To provide revised detailed drawings.
3. To provide a copy of the Mandatory pre-bid sign-in sheets.
4. To provide Addendum Acknowledgement.

Additional Documentation: Documentation related to this Addendum (if any) has been included herewith as Attachment A and is specifically incorporated herein by reference.

Terms and Conditions:

1. All provisions of the Solicitation and other addenda not modified herein shall remain in full force and effect.
2. Vendor should acknowledge receipt of all addenda issued for this Solicitation by completing an Addendum Acknowledgment, a copy of which is included herewith. Failure to acknowledge addenda may result in bid disqualification. The addendum acknowledgement should be submitted with the bid to expedite document processing.

ATTACHMENT A

**Milam Ridge Refuse Pile
Addendum #1
DEP16241**

Item 1: The contractor will have 180 days from the date of the Notice to Proceed to complete construction activities on the project. The \$ 250 per day liquidated damage clause will be in effect after the 180 days. However, the total performance period will be 365 days from the date of the Notice to Proceed for invoicing purposes.

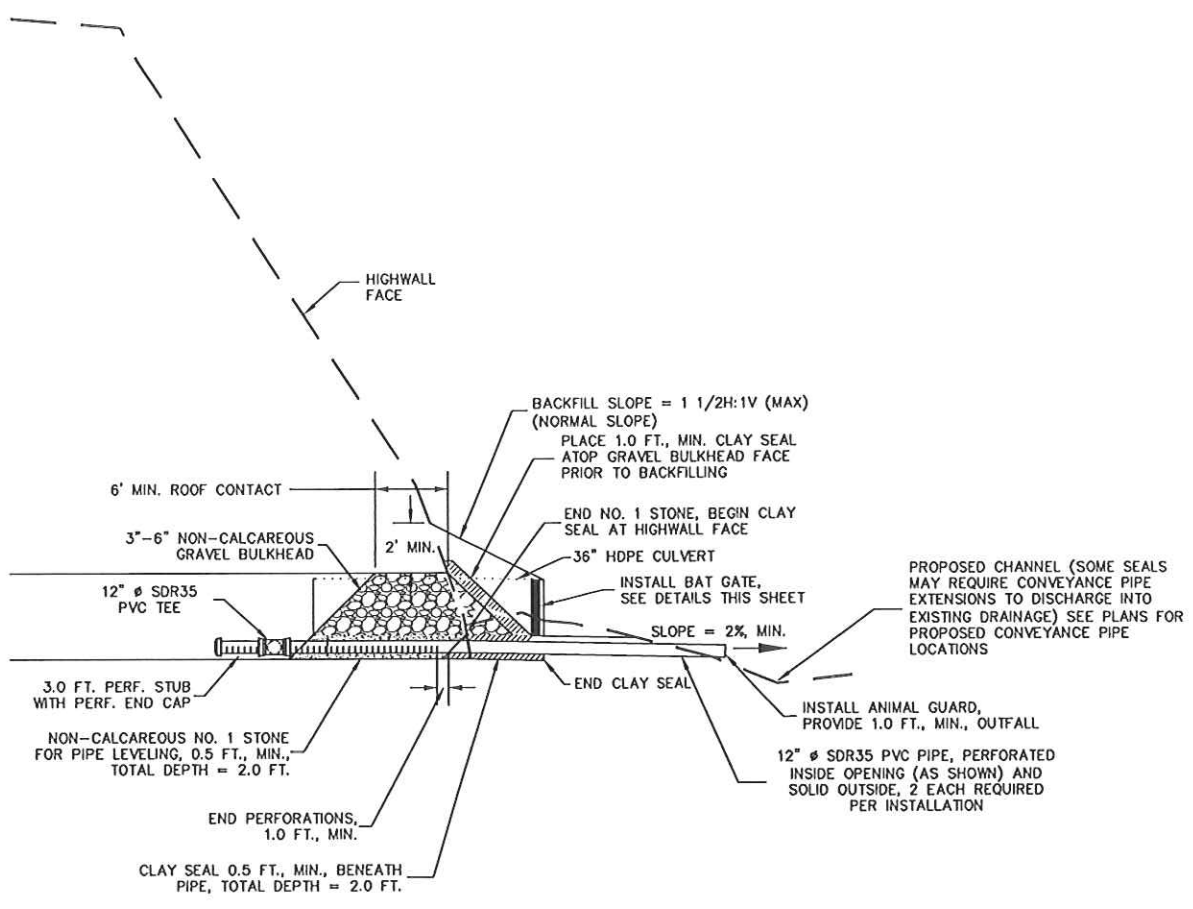
Item 2: The Dry Bat Gate detail on Sheet D-3 has been revised to exclude references to foam sealant. A revised detail has been attached.

Item 3: The mine seal typical on Sheet D-2 has been revised to clarify the intent and limits of the backfill. A revised detail has been attached.

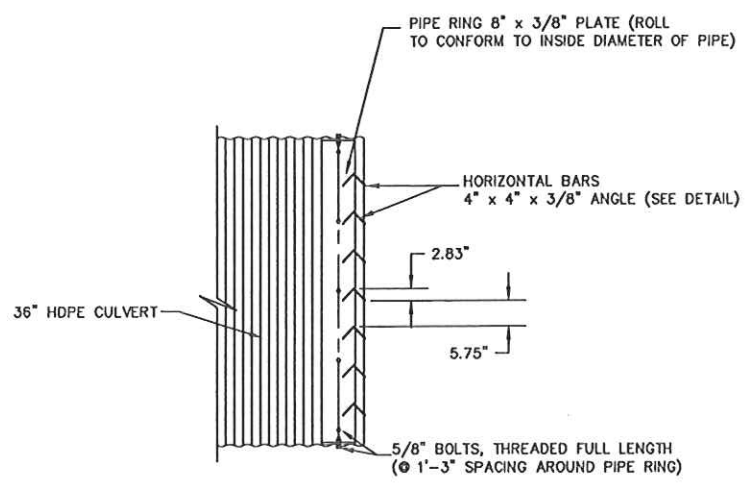
Item 4: Sheets D-2 and D-3 make reference to various size bat gate culverts. The bat gates used throughout the project will be 36 inch HDPE pipes.

Item 5: All rock riprap used throughout the project shall consist of locally available, commercially purchased, or on-site durable stone meeting the following requirements. The rock riprap shall have a maximum weighted loss of thirty percent when subjected to five (5) cycles of the Sodium Sulfate Soundness Test, 30% requirement – ASTM C88 (ASTM C88-99a Standard Test Method for Soundness of Aggregates by Use of Sodium Sulfate or Magnesium Sulfate), as modified by the American Association of State Highway and Transportation Officials (AASHTO) T-104. A certification on sodium sulfate soundness test shall be submitted to the WVDEP prior to delivery and/or use.

Item 6: A separate line item on the bid sheet for maintenance stone has not been included. Maintenance stone is considered incidental to the project and should be included as part of item 4.1 "Site Preparation", on the Bid Sheet.



TYPICAL SECTION

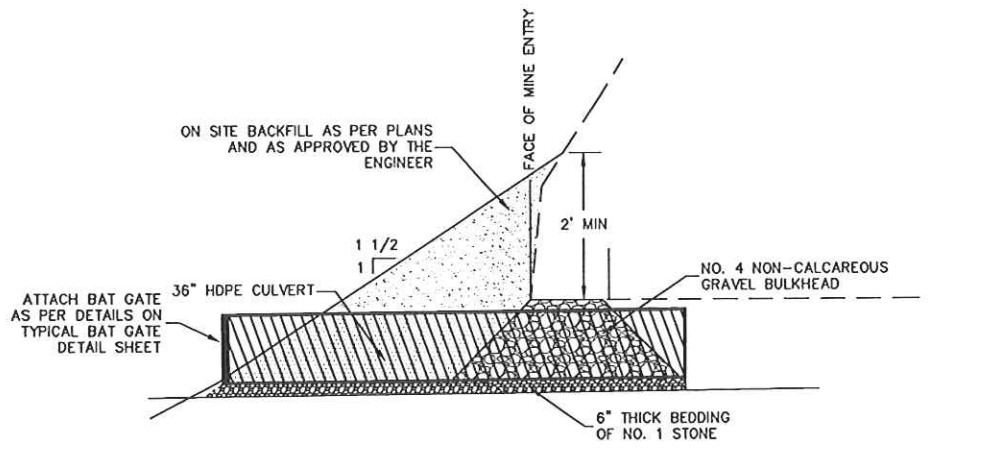


PIPE RING SECTION (ALTERNATE)

E. L. ROBINSON ENGINEERING
 5088 Washington Street, West
 Charleston, West Virginia 25313
 Phone: 304-776-7473
 Fax: 304-776-6426
 www.elrobinsonengineering.com

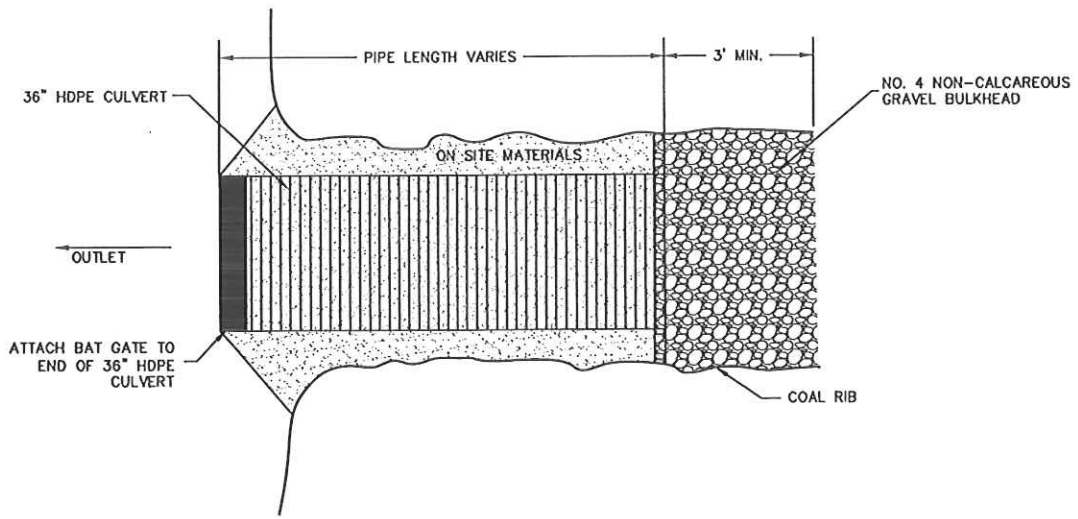
WET BAT GATE MINE
 SEAL

West Virginia
 dep Department of Environmental Protection
 MILAM RIDGE REFUSE PILE
 WYOMING COUNTY
 WEST VIRGINIA



SEAL IS PROJECTED TO BE CONSTRUCTED FROM TOE OF BACKFILL AT END OF CULVERT TO FACE OF MINE ENTRY.

DRY BAT GATE PROFILE



DRY BAT GATE PLAN DETAIL

E.L. ROBINSON ENGINEERING
 5088 Washington Street, West
 Charleston, West Virginia 25313
 Phone: 304-776-7473
 Fax: 304-776-6426
 www.elrobinsonengineering.com

DRY BAT GATE MINE SEAL

west virginia dep department of environmental protection
MILAM RIDGE REFUSE PILE
WYOMING COUNTY
WEST VIRGINIA

SIGN IN SHEET

Page 1 of 3Request for ^{Quote} Proposal No. DEP16241Date 06-06-13Milam Ridge Refuse Pile

*PLEASE BE SURE TO PRINT LEGIBLY – IF POSSIBLE, LEAVE A BUSINESS CARD

FIRM & REPRESENTATIVE NAME	MAILING ADDRESS	TELEPHONE & FAX NUMBERS
Company: <u>Hunbar Excavating LLC</u>	<u>HC 73 Box 165</u>	PHONE <u>304-923-3922</u>
Rep: <u>Brett K. Harvey</u>	<u>Pence Springs WV 24962</u>	TOLL FREE
Email Address: <u>bogieharvey@gmail.com</u>		FAX <u>304-466-0846</u>
Company: <u>Carpenter Reclamation</u>	<u>PO Box 13015</u>	PHONE <u>304-984-1115</u>
Rep: <u>Randy Carpenter</u>	<u>Sissonville, WV</u>	TOLL FREE
Email Address: <u>Rcarpen103@aol.com</u>	<u>25360</u>	FAX <u>984-2770</u>
Company: <u>Pineville PAVING & Excavating Inc.</u>	<u>P.O. Box 1290</u>	PHONE <u>304-732-8303</u>
Rep: <u>Kevin A. Bradford</u>	<u>Pineville WV 24874</u>	TOLL FREE
Email Address: <u>Kevin.A.Bradford@AOL.com</u>		FAX <u>304-732-7855</u>
Company: <u>Aspen Corporation</u>	<u>2400 Ritter Drive</u>	PHONE <u>304-887-0108</u>
Rep: <u>Richard Koger II</u>	<u>Dan.els WV 25832</u>	TOLL FREE
Email Address: <u>rkoger@aspen-golf.com</u>		FAX <u>304-763-4591</u>
Company: <u>Breakaway Inc</u>	<u>Old Turnpike Rd 1075</u>	PHONE <u>304-765-5317</u>
Rep: <u>Brian Hoard</u>	<u>Sutton WV 26601</u>	TOLL FREE
Email Address:		FAX

SIGN IN SHEET

Page 2 of 3Request for ^{Quote} Proposal No. DEP16241Date 06-06-13Milam Ridge Refuse Pile

*PLEASE BE SURE TO PRINT LEGIBLY – IF POSSIBLE, LEAVE A BUSINESS CARD

FIRM & REPRESENTATIVE NAME	MAILING ADDRESS	TELEPHONE & FAX NUMBERS
Company: <u>GREEN MOUNTAIN WASTE</u>	<u>511 50th ST</u>	PHONE <u>304-925-0253</u>
Rep: <u>DAVID H. BOWMAN</u>	<u>Charleston WV 25304</u>	TOLL FREE
Email Address: <u>DHB722C@hoo.com</u>		FAX <u>304-925-9250</u>
Company: <u>EASTERN ARROW</u>	<u>PO BOX 4108</u>	PHONE <u>304-414-0255</u>
Rep: <u>Ann Harowell</u>	<u>CHARLESTON WV</u>	TOLL FREE
Email Address: <u>easternarrow@hotmail.com</u>	<u>25361</u>	FAX <u>0256</u>
Company: <u>Barnes Exc. Inc</u>	<u>P.O. BOX 13384</u>	PHONE <u>304-984-1725</u>
Rep: <u>Robert L. Barnes</u>	<u>Sissonville</u>	TOLL FREE
Email Address: <u>BARNSEXC(A)AOL.COM</u>	<u>WV 25360</u>	FAX <u>304-984-0074</u>
Company: <u>EAGLE EXCAVATION INC.</u>	<u>P.O. BOX 218</u>	PHONE <u>(304) 372-4378</u>
Rep: <u>GEORGE FRESHOUR</u>	<u>KENN WV 25248</u>	TOLL FREE
Email Address: <u>_____</u>		FAX <u>(304) 372-4378</u>
Company: <u>All-Con, LLC</u>	<u>124 PHILPOTT LANE</u>	PHONE <u>3047310190</u>
Rep: <u>DAVID IRIE</u>	<u>BEAVER WV 25813</u>	TOLL FREE
Email Address: <u>DIRIE CACI-UNV.COM</u>		FAX <u>304 255 4232</u>

SIGN IN SHEET

Request for ^{Quote} Proposal No. DEP16241

Date 06-06-13

Milam Ridge Refuse Pile

*PLEASE BE SURE TO PRINT LEGIBLY – IF POSSIBLE, LEAVE A BUSINESS CARD

FIRM & REPRESENTATIVE NAME

MAILING ADDRESS

TELEPHONE & FAX NUMBERS

Company: <u>5 Star Contracting Inc</u>	PHONE <u>304-785-6713</u>
Rep: <u>Charlie Horn</u>	TOLL FREE
Email Address:	FAX <u>304-393-1524</u>
Company: <u>McCoy Construction</u>	PHONE <u>304-736-3582</u>
Rep: <u>Charlie Horn</u>	TOLL FREE
Email Address:	FAX
Company:	PHONE
Rep:	TOLL FREE
Email Address:	FAX
Company:	PHONE
Rep:	TOLL FREE
Email Address:	FAX
Company:	PHONE
Rep:	TOLL FREE
Email Address:	FAX

ADDENDUM ACKNOWLEDGEMENT FORM
SOLICITATION NO.: DEP16241

Instructions: Please acknowledge receipt of all addenda issued with this solicitation by completing this addendum acknowledgment form. Check the box next to each addendum received and sign below. Failure to acknowledge addenda may result in bid disqualification.

Acknowledgment: I hereby acknowledge receipt of the following addenda and have made the necessary revisions to my proposal, plans and/or specification, etc.

Addendum Numbers Received:

(Check the box next to each addendum received)

- | | |
|---|--|
| <input type="checkbox"/> Addendum No. 1 | <input type="checkbox"/> Addendum No. 6 |
| <input type="checkbox"/> Addendum No. 2 | <input type="checkbox"/> Addendum No. 7 |
| <input type="checkbox"/> Addendum No. 3 | <input type="checkbox"/> Addendum No. 8 |
| <input type="checkbox"/> Addendum No. 4 | <input type="checkbox"/> Addendum No. 9 |
| <input type="checkbox"/> Addendum No. 5 | <input type="checkbox"/> Addendum No. 10 |

I understand that failure to confirm the receipt of addenda may be cause for rejection of this bid. I further understand that any verbal representation made or assumed to be made during any oral discussion held between Vendor’s representatives and any state personnel is not binding. Only the information issued in writing and added to the specifications by an official addendum is binding.

Company

Authorized Signature

Date

NOTE: This addendum acknowledgement should be submitted with the bid to expedite document processing.
Revised 6/8/2012