



State of West Virginia
 Department of Administration
 Purchasing Division
 2019 Washington Street East
 Post Office Box 50130
 Charleston, WV 25305-0130

Solicitation

NUMBER
DEP15898

PAGE
1

ADDRESS CORRESPONDENCE TO ATTENTION OF:
GUY NISBET 304-558-8802

VENDOR

RFQ COPY
 TYPE NAME/ADDRESS HERE

SHIP TO

ENVIRONMENTAL PROTECTION
 DEPARTMENT OF
 DIVISION OF LAND RESTORATION
 601 57TH STREET SE
 CHARLESTON, WV
 25304 304-926-0499

DATE PRINTED
11/19/2012

BID OPENING DATE: 11/27/2012 BID OPENING TIME 1:30PM

LINE	QUANTITY	UOP	CAT. NO.	ITEM NUMBER	UNIT PRICE	AMOUNT
				ADDENDUM NO. 6		
				ADDENDUM FOR THE WYOMING COUNTY LANDFILL LEACHATE FORCE MAIN PROJECT ISSUED TO DISTRIBUTE THE FOLLOWING INFORMATION.		
				1. FINAL QUESTIONS AND RESPONSES TO PROJECT.		
0001	1	JB		962-73		
				RECLAMATION: RESTORATION OF LAND & OTHER PROPERTIES		
***** THIS IS THE END OF RFQ DEP15898 ***** TOTAL:						

SIGNATURE	TELEPHONE	DATE
TITLE	FEIN	ADDRESS CHANGES TO BE NOTED ABOVE

WHEN RESPONDING TO SOLICITATION, INSERT NAME AND ADDRESS IN SPACE ABOVE LABELED 'VENDOR'

SOLICITATION NUMBER: DEP15898
Addendum Number: No. 06

The purpose of this addendum is to modify the solicitation identified as (“Solicitation”) to reflect the change(s) identified and described below.

Applicable Addendum Category:

- Modify bid opening date and time
- Modify specifications of product or service being sought
- Attachment of vendor questions and responses
- Attachment of pre-bid sign-in sheet
- Correction of error
- Other

Description of Modification to Solicitation:

Addendum for the Wyoming Landfill Leachate Force Main Project issued to publish the following information.

1. Questions and responses for Project

Job will Bid as scheduled on: 11/27/2012 at 1:30 P.M. EST.

No other changes.

Additional Documentation: Documentation related to this Addendum (if any) has been included herewith as Attachment A and is specifically incorporated herein by reference.

Terms and Conditions:

1. All provisions of the Solicitation and other addenda not modified herein shall remain in full force and effect.
2. Vendor should acknowledge receipt of all addenda issued for this Solicitation by completing an Addendum Acknowledgment, a copy of which is included herewith. Failure to acknowledge addenda may result in bid disqualification. The addendum acknowledgement should be submitted with the bid to expedite document processing.

ATTACHMENT A

DEP15898
Wyoming County Landfill
Additional Questions

Question: Could you provide 4" gate valve specs on cleanout locations? Is it acceptable to provide 4" PVC butterfly valve?

Answer: Gate valves should be nut operated gate valves as manufactured by Muller or equivalent. A 4" butterfly valve would be an acceptable substitute.

Question: Is it the intent to provide one 4" valve at each cleanout location?

Answer: Yes it is the intent to have a valve at each cleanout.

Question: Is it acceptable to use HDPE Fittings w/ DI lamphole cover on cleanouts?

Answer: HDPE fitting with DI lamphole covers would be acceptable.

Question: Could you confirm is any bollard or marker required at cleanouts and manholes?

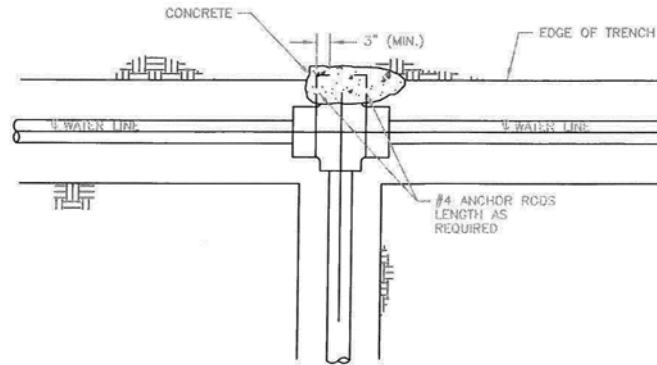
Answer: Bollard and/or markers are not required at the cleanout locations as they are proposed to be flush with the ground.

Question: Could you indicate what is the existing electric power service at the pump station (phases, Volts, amps) and what is the anticipated upgrade of the service ?

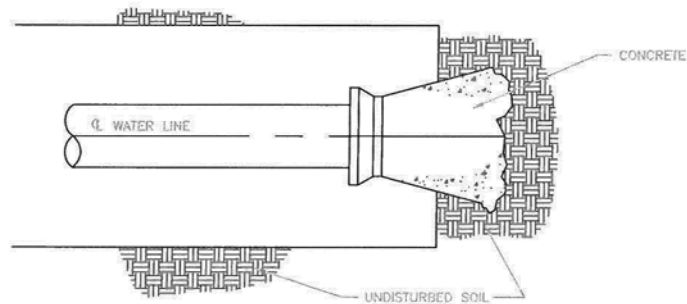
Answer: Power is 220volt 1 phase. There is no anticipated upgrade of service.

Question: Could you provide concrete block schedule and detail for forcemain & gravity line?

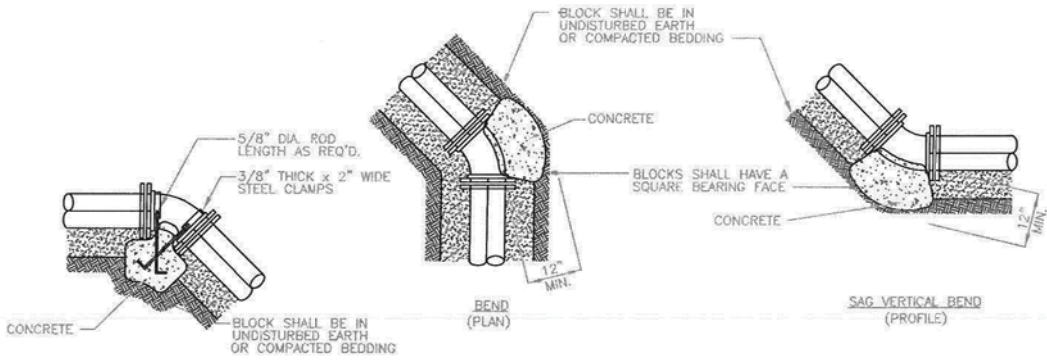
Answer: I assume that this is in regard to thrust blocks. Please see the attached thrust block detail



TEE BLOCK CONNECTION
N.T.S.



DEAD-END THRUST BLOCK
N.T.S. (PLAN)



GREST VERTICAL BEND
(PROFILE)

TYPICAL CONCRETE THRUST BLOCKING DETAIL

NO SCALE

- NOTES:
1. INSTALL THRUST BLOCKING IN ACCORDANCE WITH THE FOLLOWING SCHEDULE FOR PIPES 2" AND LARGER, AT ALL BENDS 11-1/4' OR GREATER AND AT ALL TEES, CROSSES, REDUCERS, PLUGS, DEAD-ENDS AND OTHER FITTINGS. FOR WYE'S, USE BEST MATCHING ELBOW ANGLE.
 2. LEAVE ALL FLANGES FREE AND CLEAR FOR MAINTENANCE.
 3. TABLE (SCHEDULE) DESCRIBED IN NOTE NO.1 ABOVE ASSUMES BEARING STRENGTHS OF 2000 PSF FOR SOIL AND 4000 PSF FOR ROCK. IF SOFT SOIL IS ENCOUNTERED, AREAS WILL HAVE TO BE INCREASED AS DIRECTED BY THE ENGINEER.

FITTING TYPE	BEARING AREA (SQ. FT.)	
	ROCK	SOIL
2-INCH LINE		
90° ELBOW	0.50	0.75
45° ELBOW	0.25	0.50
22.5° ELBOW	0.25	0.25
11.25° ELBOW	0.25	0.25
CROSSES, REDUCERS, PLUGS, TEES, AND DEAD-ENDS	0.25	0.50
4-INCH LINE		
90° ELBOW	1.25	2.25
45° ELBOW	0.75	1.25
22.5° ELBOW	0.50	0.75
11.25° ELBOW	0.25	0.50
CROSSES, REDUCERS, PLUGS, TEES, AND DEAD-ENDS	1.00	1.75
6-INCH LINE		
90° ELBOW	2.50	5.00
45° ELBOW	1.50	2.75
22.5° ELBOW	0.75	1.50
11.25° ELBOW	0.50	0.75
CROSSES, REDUCERS, PLUGS, TEES, AND DEAD-ENDS	1.75	3.75
8-INCH LINE		
90° ELBOW	4.50	9.00
45° ELBOW	2.50	5.00
22.5° ELBOW	1.25	2.50
11.25° ELBOW	0.75	1.25
CROSSES, REDUCERS, PLUGS, TEES, AND DEAD-ENDS	3.25	6.50
10-INCH LINE		
90° ELBOW	7.00	14.00
45° ELBOW	3.75	7.50
22.5° ELBOW	2.00	4.00
11.25° ELBOW	1.00	2.00
CROSSES, REDUCERS, PLUGS, TEES, AND DEAD-ENDS	5.00	10.00
12-INCH LINE		
90° ELBOW	10.00	20.00
45° ELBOW	5.50	11.00
22.5° ELBOW	2.75	5.50
11.25° ELBOW	1.50	3.00
CROSSES, REDUCERS, PLUGS, TEES, AND DEAD-ENDS	7.25	14.25

ADDENDUM ACKNOWLEDGEMENT FORM
SOLICITATION NO.: DEP15898

Instructions: Please acknowledge receipt of all addenda issued with this solicitation by completing this addendum acknowledgment form. Check the box next to each addendum received and sign below. Failure to acknowledge addenda may result in bid disqualification.

Acknowledgment: I hereby acknowledge receipt of the following addenda and have made the necessary revisions to my proposal, plans and/or specification, etc.

Addendum Numbers Received:

(Check the box next to each addendum received)

- | | |
|---|--|
| <input type="checkbox"/> Addendum No. 1 | <input type="checkbox"/> Addendum No. 6 |
| <input type="checkbox"/> Addendum No. 2 | <input type="checkbox"/> Addendum No. 7 |
| <input type="checkbox"/> Addendum No. 3 | <input type="checkbox"/> Addendum No. 8 |
| <input type="checkbox"/> Addendum No. 4 | <input type="checkbox"/> Addendum No. 9 |
| <input type="checkbox"/> Addendum No. 5 | <input type="checkbox"/> Addendum No. 10 |

I understand that failure to confirm the receipt of addenda may be cause for rejection of this bid. I further understand that any verbal representation made or assumed to be made during any oral discussion held between Vendor's representatives and any state personnel is not binding. Only the information issued in writing and added to the specifications by an official addendum is binding.

Company

Authorized Signature

Date

NOTE: This addendum acknowledgement should be submitted with the bid to expedite document processing.
 Revised 6/8/2012