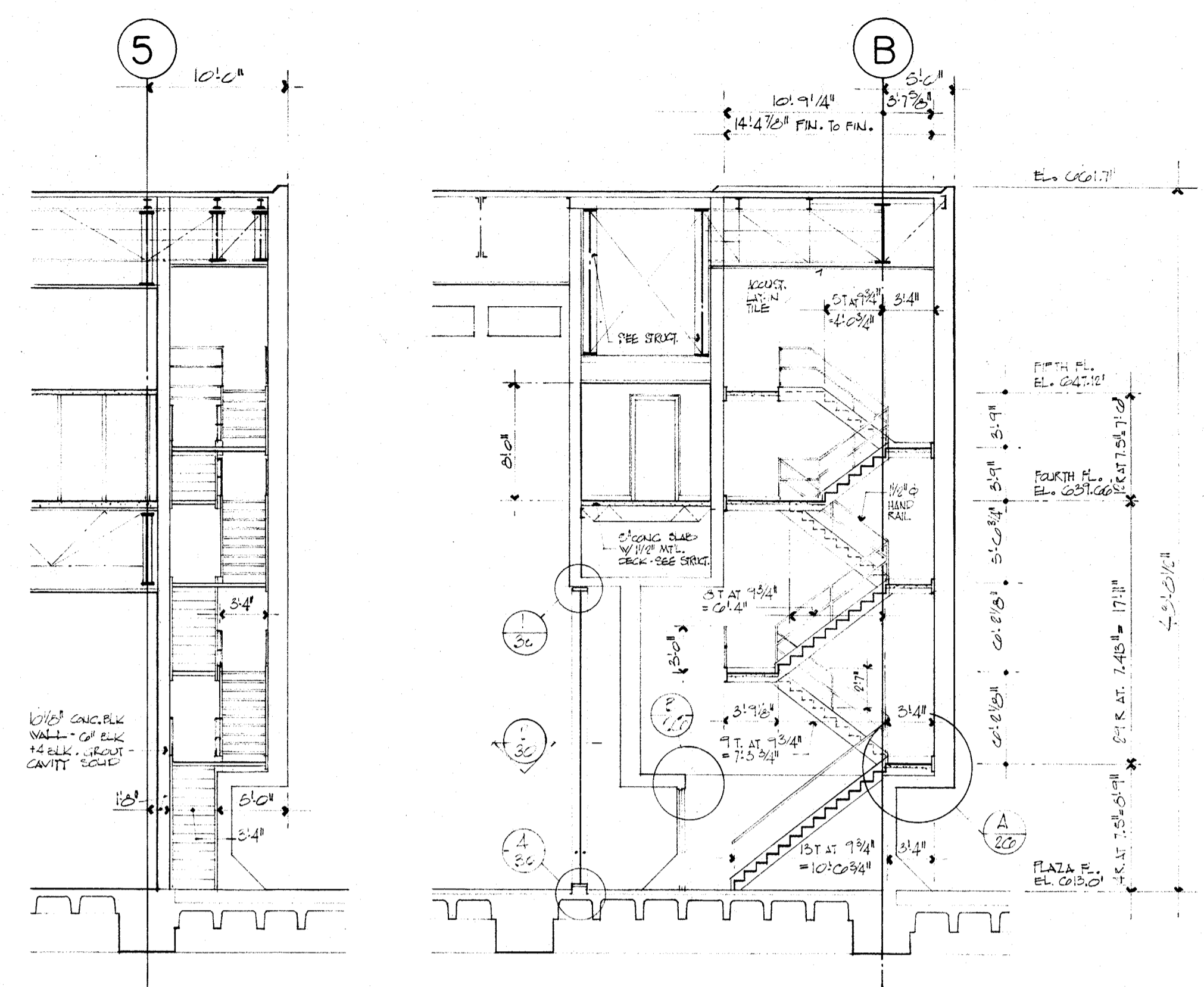
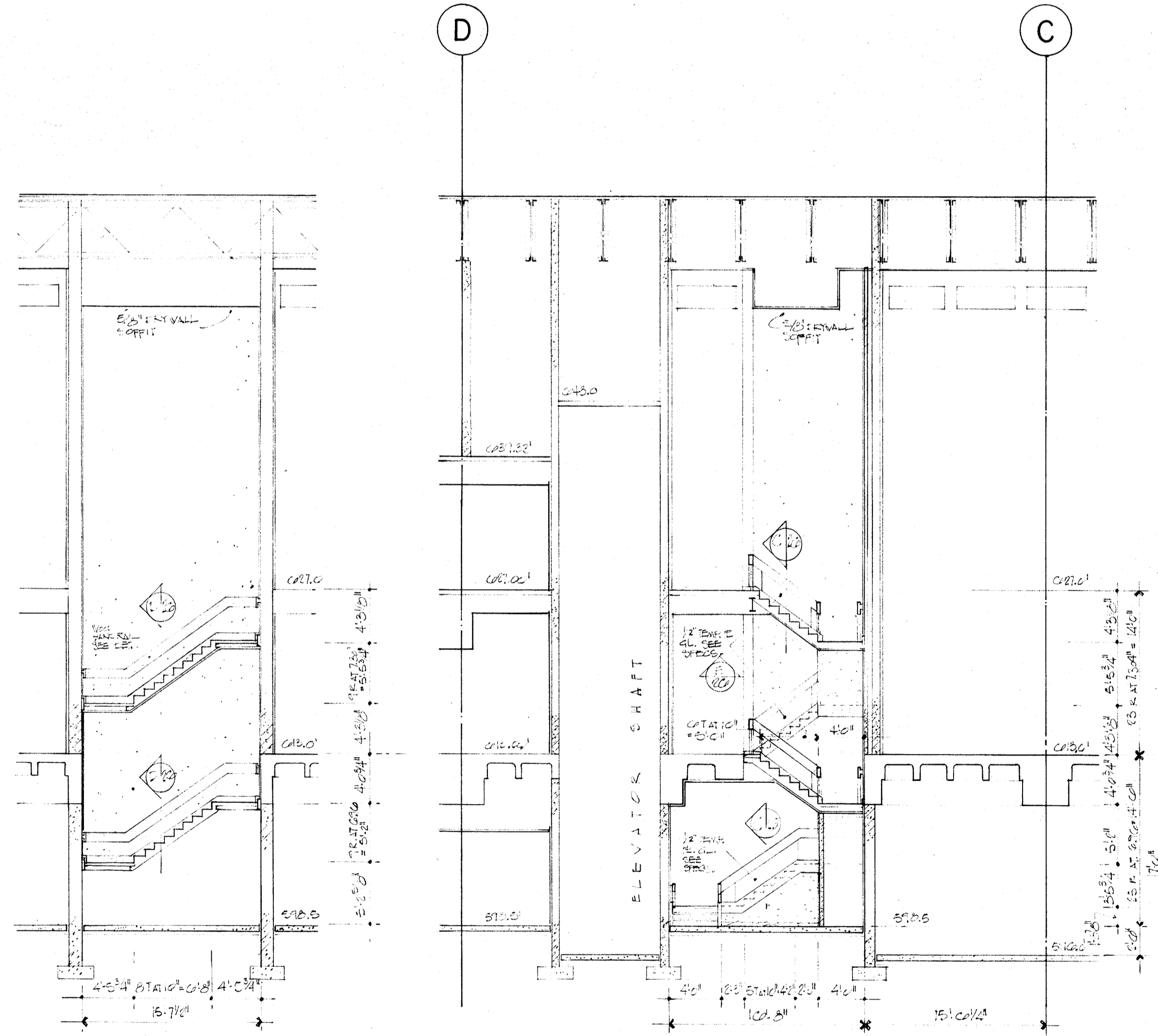


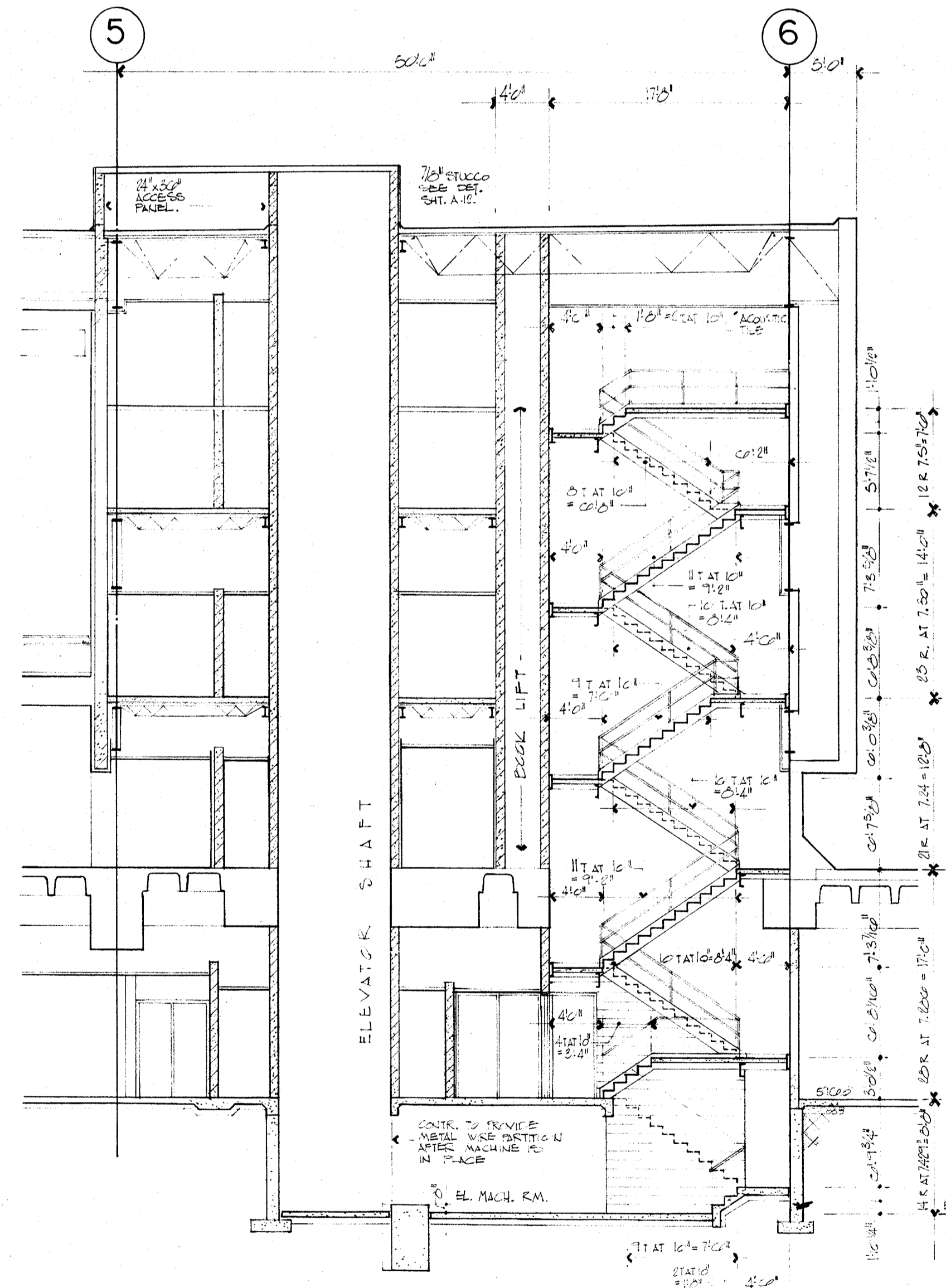
SECTION THRU STAIRS 1 AND 2



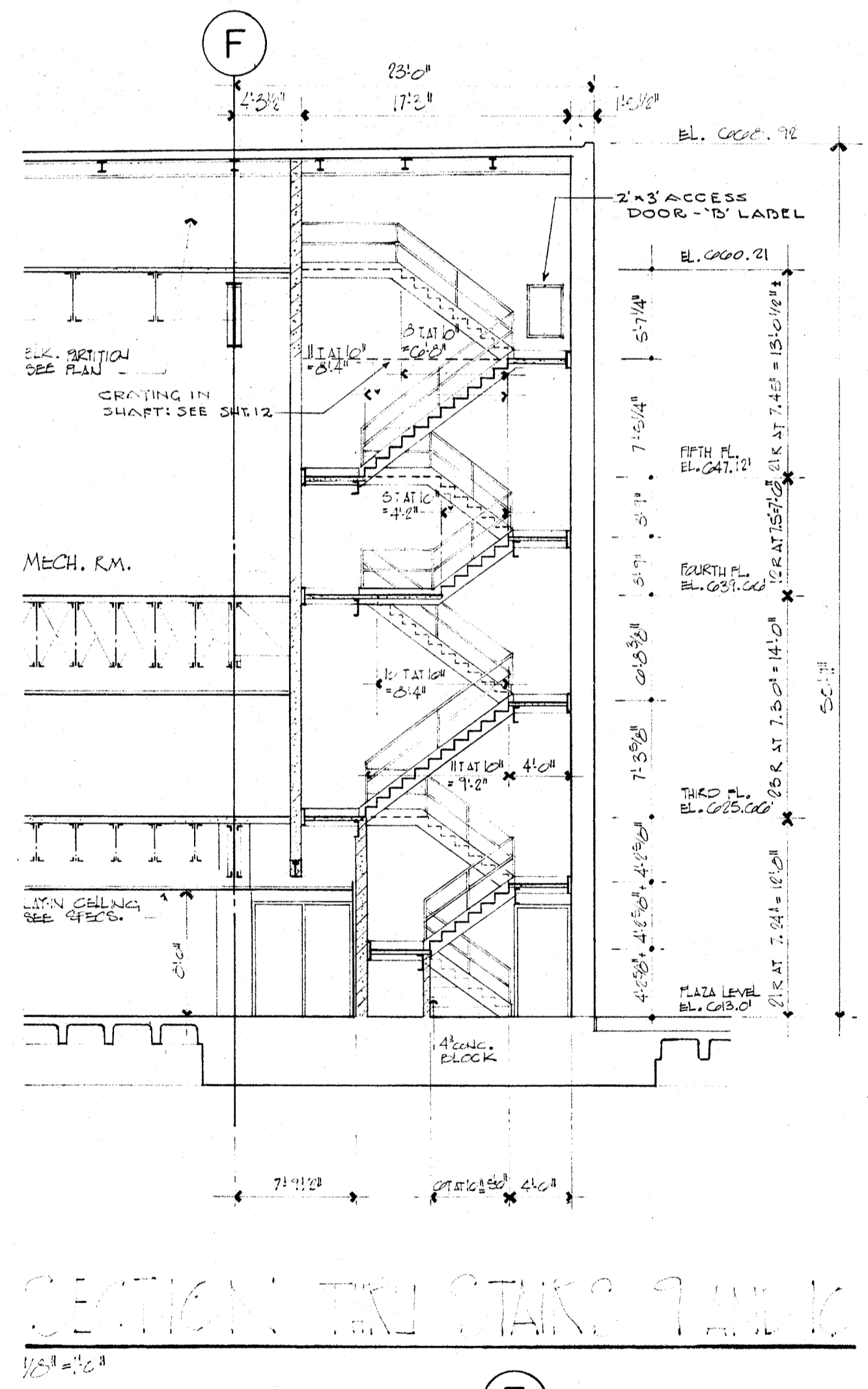
SECTIONS THRU STAIRS 3 AND 4



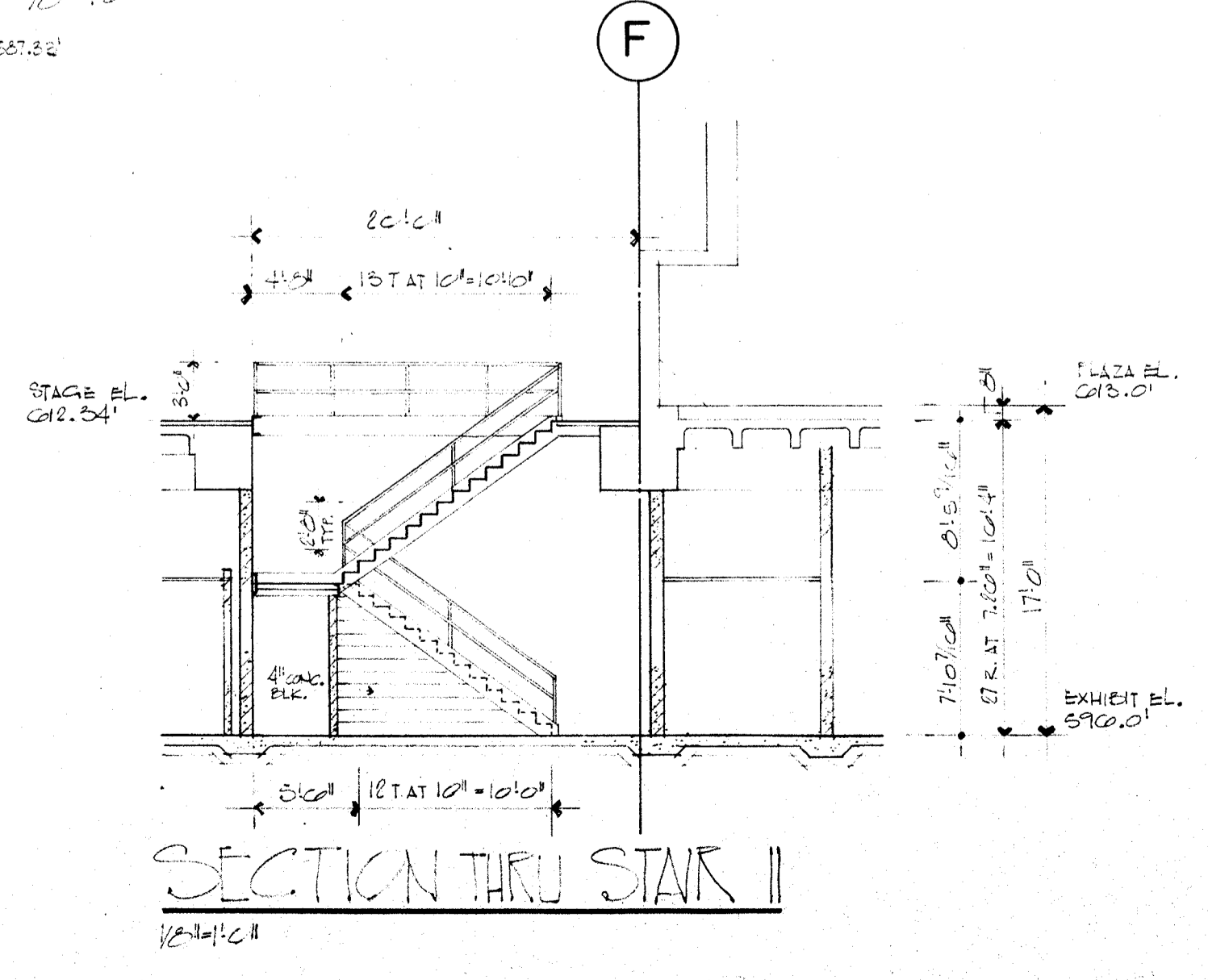
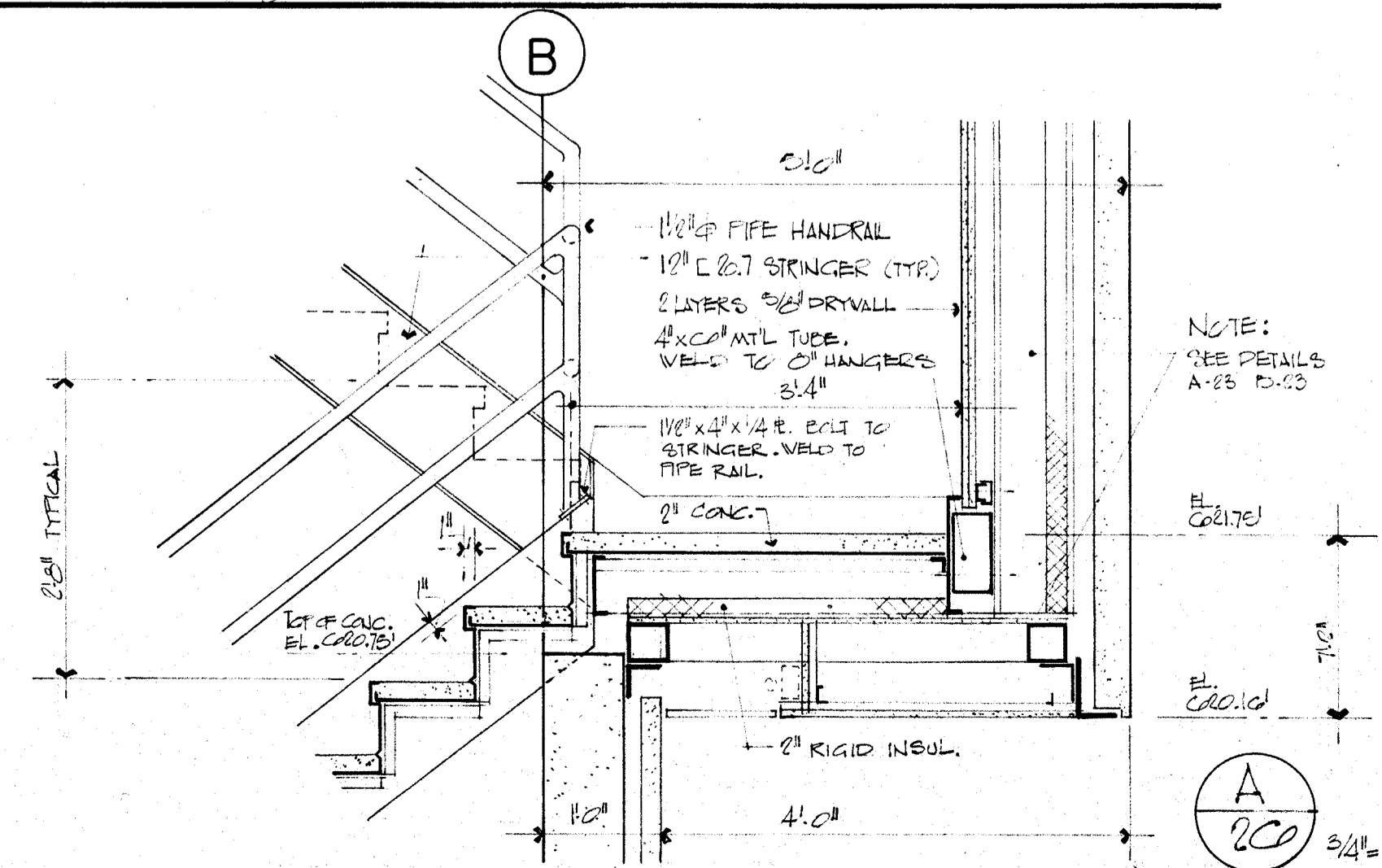
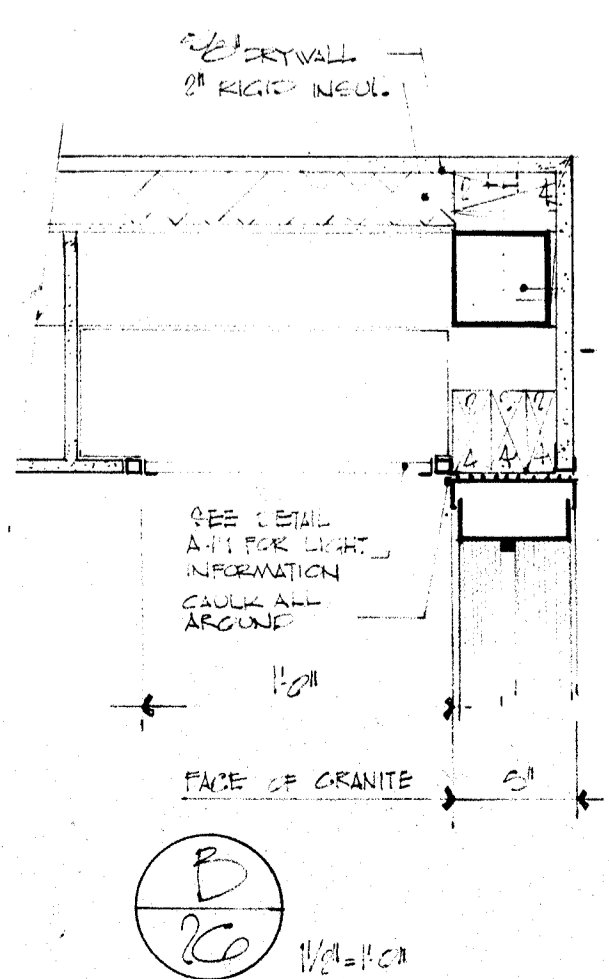
SECTION THRU STAIRS 5 AND 6



SECTION THRU STAIRS 7 AND 8



SECTION THRU STAIRS 9 AND 10



SECTION THRU STAIR 11

Science and Cultural Center-State of West Virginia
Charleston West Virginia

STAIR SECTIONS AND DETAILS
SCALE AS NOTED

C.E. Silling and Associates
Architects-Planners-Charleston West Virginia

Ireland/Associates Architects/Planners/Inc.
Consultants
PEP, INC.
Mechanical and Structural Engineers

REVISIONS

PRELIMINARY
CONSTRUCTION
FINAL RECORD

DATE JULY 16, 1973