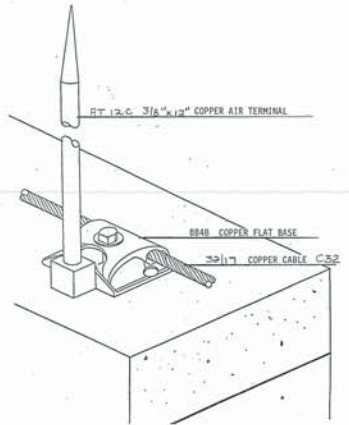
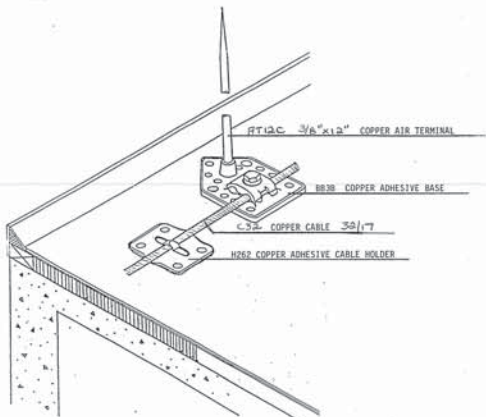


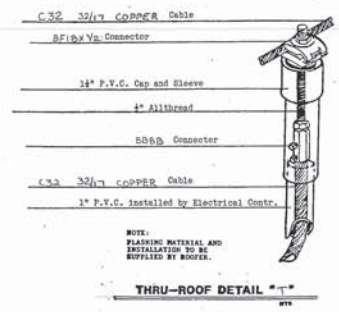
AIR TERMINAL DETAIL "A"
 NTS



AIR TERMINAL DETAIL "B"
 NTS

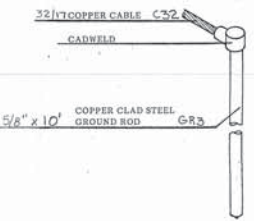


AIR TERMINAL DETAIL "C"
 NTS

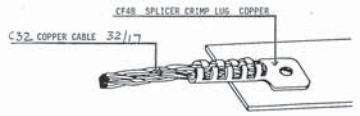


THRU-ROOF DETAIL "D"
 NTS

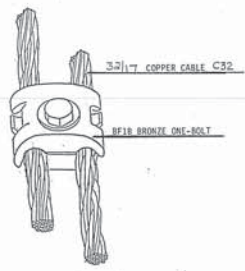
NOTE: BALLOONED AREA "A" OF DRAWING IS CLASS II MATERIAL AND COMPONENTS.



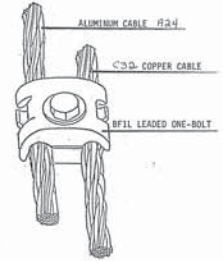
GROUNDING DETAIL "G"
 NTS



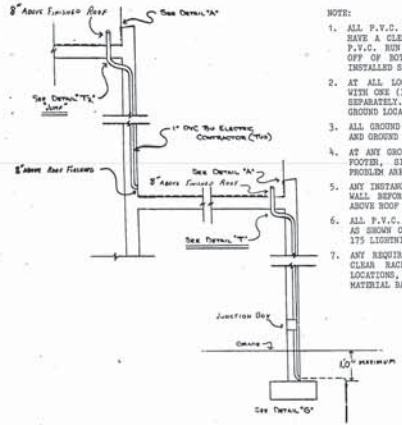
BONDING CONNECTOR DETAIL
 NTS



SPLICER DETAIL

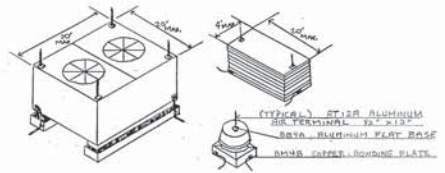


BIMETALLIC CONNECTOR

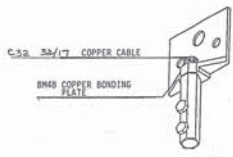


- NOTE:
1. ALL P.V.C. RUN BY ELECTRICAL CONTRACTOR IS 1"; IT MUST HAVE A CLEAR RACEWAY WITH FULL STRING INSTALLED. EACH P.V.C. RUN SHOULD HAVE A JUNCTION BOX THREE (3) FOOT OFF OF ROOF FLOOR TO ALLOW FOR GROUND TAILS TO BE INSTALLED SEPARATE FROM ROOF TAILS.
 2. AT ALL LOCATIONS WHERE MULTIPLE THRU-ROOFS ARE SHOWN WITH ONE (1) GROUND, EACH THRU-ROOF SHOULD RUN TO GROUND SEPARATELY. THE INTERCONNECTION WILL BE MADE AT THE GROUND LOCATION.
 3. ALL GROUND LOCATIONS OF P.V.C. MUST BE MARKED FOR CABLE AND GROUND INSTALLATIONS.
 4. AT ANY GROUND LOCATIONS WHERE AN OBSTRUCTION MAY OCCUR; FOOTING, SIDEWALK, ETC., P.V.C. SHOULD CONTINUE PAST PROBLEM AREA.
 5. ANY INSTANCES WHERE P.V.C. CONTINUES ON UP INTO A PARAPET WALL BEFORE EXITING ONTO ROOF LEVEL, A MAXIMUM OF 8" ABOVE ROOF LEVEL MUST BE MAINTAINED.
 6. ALL P.V.C. LOCATIONS SHOWN ON DRAWING MUST BE INSTALLED AS SHOWN ON DRAWINGS TO INSURE UL 96A, NFPA 78 AND LPI 175 LIGHTNING PROTECTION CODES COMPLIANCE.
 7. ANY REQUIRED WORK TO INSTALL P.V.C., CHANGE LOCATIONS, CLEAR BACKLOGS, EXTEND THRU-ROOFS, OR LOCATE GROUND LOCATIONS, BY THIS FIRM, WILL BE DONE ON A TIME AND MATERIAL BASIS.

P.V.C. DOWN LEAD INSTALLATION



VARIOUS DETAIL "E" INSTALLATION DETAILS



BONDING CONNECTOR DETAIL
 NTS

DETAILS

FIELD AND JOB CONDITIONS MAY NECESSITATE VARIANCES AND CHANGES TO ANY OR ALL DETAILS, DIMENSIONS AND CABLE ROUTINGS.

MOUNT OLIVE CORRECTIONAL COMPLEX
 DETAIL SHEET
 WEST VIRGINIA REGIONAL JAIL AND
 CORRECTIONAL FACILITY AUTHORITY

HILL LIGHTNING PROTECTION COMPANY
 823 Ford Street Dayton, Ohio 45402
 1-800-872-1657

DATE	DESIGN	CHK	APPV	SCALE	REV
1/74	JTB	NTS	92/87	11 of 11	8/5/92