



State of West Virginia  
 Department of Administration  
 Purchasing Division  
 2019 Washington Street East  
 Post Office Box 50130  
 Charleston, WV 25305-0130

**Solicitation**

NUMBER
07130825

PAGE
1

ADDRESS CORRESPONDENCE TO ATTENTION OF:
ALAN CUMMINGS 304-558-2402

VENDOR

RFQ COPY  
 TYPE NAME/ADDRESS HERE

SHIP TO

DIVISION OF HIGHWAYS  
 DISTRICT SEVEN  
 STORAGE YARD  
 1205 US HWY 19 SOUTH  
 WESTON, WV  
 26452 304-269-0475

DATE PRINTED
02/07/2013

BID OPENING DATE:

02/27/2013

BID OPENING TIME 1:30PM

LINE	QUANTITY	UOP	CAT. NO.	ITEM NUMBER	UNIT PRICE	AMOUNT
0001	1	LS		570-84		
STRUCTURAL STEEL/FOR LAUREL LICK PIPE REPLACEMENT						
REQUEST FOR QUOTATION						
THE WEST VIRGINIA STATE PURCHASING DIVISION FOR THE AGENCY, THE WEST VIRGINIA DIVISION OF HIGHWAYS, IS SOLICITING BIDS TO PROVIDE THE AGENCY WITH STRUCTURAL STEEL PER THE ATTACHED SPECIFICATIONS.						
***** THIS IS THE END OF RFQ 07130825 ***** TOTAL:						

SIGNATURE	TELEPHONE	DATE
-----------	-----------	------

TITLE	FEIN	ADDRESS CHANGES TO BE NOTED ABOVE
-------	------	-----------------------------------

WHEN RESPONDING TO SOLICITATION, INSERT NAME AND ADDRESS IN SPACE ABOVE LABELED 'VENDOR'

**INSTRUCTIONS TO VENDORS SUBMITTING BIDS**

- 1. **REVIEW DOCUMENTS THOROUGHLY:** The attached documents contain a solicitation for bids. Please read these instructions and all documents attached in their entirety. These instructions provide critical information about requirements that if overlooked could lead to disqualification of a Vendor’s bid. All bids must be submitted in accordance with the provisions contained in these instructions and the Solicitation. Failure to do so may result in disqualification of Vendor’s bid.
- 2. **MANDATORY TERMS:** The Solicitation may contain mandatory provisions identified by the use of the words “must,” “will,” and “shall.” Failure to comply with a mandatory term in the Solicitation will result in bid disqualification.
- 3. **PREBID MEETING:** The item identified below shall apply to this Solicitation.

A pre-bid meeting will not be held prior to bid opening.

A **NON-MANDATORY PRE-BID** meeting will be held at the following place and time:

A **MANDATORY PRE-BID** meeting will be held at the following place and time:

All Vendors submitting a bid must attend the mandatory pre-bid meeting. Failure to attend the mandatory pre-bid meeting shall result in disqualification of the Vendor’s bid. No one person attending the pre-bid meeting may represent more than one Vendor.

An attendance sheet provided at the pre-bid meeting shall serve as the official document verifying attendance. The State will not accept any other form of proof or documentation to verify attendance. Any person attending the pre-bid meeting on behalf of a Vendor must list on the attendance sheet his or her name and the name of the Vendor he or she is representing. Additionally, the person attending the pre-bid meeting should include the Vendor’s E-Mail address, phone number, and Fax number on the attendance sheet. It is the Vendor’s responsibility to locate the attendance sheet and provide the required

information. Failure to complete the attendance sheet as required may result in disqualification of Vendor's bid.

All Vendors should arrive prior to the starting time for the pre-bid. Vendors who arrive after the starting time but prior to the end of the pre-bid will be permitted to sign in, but are charged with knowing all matters discussed at the pre-bid.

Questions submitted at least five business days prior to a scheduled pre-bid will be discussed at the pre-bid meeting if possible. Any discussions or answers to questions at the pre-bid meeting are preliminary in nature and are non-binding. Official and binding answers to questions will be published in a written addendum to the Solicitation prior to bid opening.

- 4. **VENDOR QUESTION DEADLINE:** Vendors may submit questions relating to this Solicitation to the Purchasing Division. Questions must be submitted in writing. All questions must be submitted on or before the date listed below and to the address listed below in order to be considered. A written response will be published in a Solicitation addendum if a response is possible and appropriate. Non-written discussions, conversations, or questions and answers regarding this Solicitation are preliminary in nature and are non-binding.

Question Submission Deadline: 02/25/2013

Submit Questions to:

Alan Cummings  
 2019 Washington Street, East  
 P.O. Box 50130  
 Charleston, WV 25305  
 Fax: 304-558-3970  
 Email: Alan.W.Cummings@WV.Gov

- 5. **VERBAL COMMUNICATION:** Any verbal communication between the Vendor and any State personnel is not binding, including that made at the mandatory pre-bid conference. Only information issued in writing and added to the Solicitation by an official written addendum by the Purchasing Division is binding.
- 6. **BID SUBMISSION:** All bids must be signed and delivered by the Vendor to the Purchasing Division at the address listed below on or before the date and time of the bid opening. Any bid received by the Purchasing Division staff is considered to be in the possession of the Purchasing Division and will not be returned for any reason. The bid delivery address is:

Department of Administration, Purchasing Division  
 2019 Washington Street East  
 P.O. Box 50130,  
 Charleston, WV 25305-0130

The bid should contain the information listed below on the face of the envelope or the bid may not be considered:

SEALED BID  
 BUYER: \_\_\_\_\_  
 SOLICITATION NO.: \_\_\_\_\_  
 BID OPENING DATE: \_\_\_\_\_  
 BID OPENING TIME: \_\_\_\_\_  
 FAX NUMBER: \_\_\_\_\_

In the event that Vendor is responding to a request for proposal, the Vendor shall submit one original technical and one original cost proposal plus  convenience copies of each to the Purchasing Division at the address shown above. Additionally, the Vendor should identify the bid type as either a technical or cost proposal on the face of each bid envelope submitted in response to a request for proposal as follows:

BID TYPE:        | Technical  
                       | Cost

- 7. **BID OPENING:** Bids submitted in response to this Solicitation will be opened at the location identified below on the date and time listed below. Delivery of a bid after the bid opening date and time will result in bid disqualification. For purposes of this Solicitation, a bid is considered delivered when time stamped by the official Purchasing Division time clock.

**Bid Opening Date and Time:**

02/27/2013 - 1:30 P.M.
------------------------

**Bid Opening Location:**

Department of Administration, Purchasing Division  
 2019 Washington Street East  
 P.O. Box 50130,  
 Charleston, WV 25305-0130

- 8. **ADDENDUM ACKNOWLEDGEMENT:** Changes or revisions to this Solicitation will be made by an official written addendum issued by the Purchasing Division. Vendor should acknowledge receipt of all addenda issued with this Solicitation by completing an Addendum Acknowledgment Form, a copy of which is included herewith. Failure to acknowledge addenda may result in bid disqualification. The addendum acknowledgement should be submitted with the bid to expedite document processing.
- 9. **BID FORMATTING:** Vendor should type or electronically enter the information onto its bid to prevent errors in the evaluation. Failure to type or electronically enter the information may result in bid disqualification.

**GENERAL TERMS AND CONDITIONS:**

1. **CONTRACTUAL AGREEMENT:** Issuance of a Purchase Order signed by the Purchasing Division Director, or his designee, and approved as to form by the Attorney General's office constitutes acceptance of this Contract made by and between the State of West Virginia and the Vendor. Vendor's signature on its bid signifies Vendor's agreement to be bound by and accept the terms and conditions contained in this Contract.
  
2. **DEFINITIONS:** As used in this Solicitation / Contract, the following terms shall have the meanings attributed to them below. Additional definitions may be found in the specifications included with this Solicitation / Contract.
  - 2.1 **"Agency" or "Agencies"** means the agency, board, commission, or other entity of the State of West Virginia that is identified on the first page of the Solicitation or any other public entity seeking to procure goods or services under this Contract.
  - 2.2 **"Contract"** means the binding agreement that is entered into between the State and the Vendor to provide the goods and services requested in the Solicitation.
  - 2.3 **"Director"** means the Director of the West Virginia Department of Administration, Purchasing Division.
  - 2.4 **"Purchasing Division"** means the West Virginia Department of Administration, Purchasing Division.
  - 2.5 **"Purchase Order"** means the document signed by the Agency and the Purchasing Division, and approved as to form by the Attorney General, that identifies the Vendor as the successful bidder and Contract holder.
  - 2.6 **"Solicitation"** means the official solicitation published by the Purchasing Division and identified by number on the first page thereof.
  - 2.7 **"State"** means the State of West Virginia and/or any of its agencies, commissions, boards, etc.: as context requires.
  - 2.8 **"Vendor" or "Vendors"** means any entity submitting a bid in response to the Solicitation, the entity that has been selected as the lowest responsible bidder, or the entity that has been awarded the Contract as context requires.

3. **CONTRACT TERM; RENEWAL; EXTENSION:** The term of this Contract shall be determined in accordance with the category that has been identified as applicable to this Contract below:

| | **Term Contract**

**Initial Contract Term:** This Contract becomes effective on   
  
 and extends for a period of  year(s).

**Renewal Term:** This Contract may be renewed upon the mutual written consent of the Agency, and the Vendor, with approval of the Purchasing Division and the Attorney General's office (Attorney General approval is as to form only). Any request for renewal must be submitted to the Purchasing Division Director thirty (30) days prior to the expiration date of the initial contract term or appropriate renewal term. A Contract renewal shall be in accordance with the terms and conditions of the original contract. Renewal of this Contract is limited to  successive one (1) year periods. Automatic renewal of this Contract is prohibited. Notwithstanding the foregoing, Purchasing Division approval is not required on agency delegated or exempt purchases. Attorney General approval may be required for vendor terms and conditions.

**Reasonable Time Extension:** At the sole discretion of the Purchasing Division Director, and with approval from the Attorney General's office (Attorney General approval is as to form only), this Contract may be extended for a reasonable time after the initial Contract term or after any renewal term as may be necessary to obtain a new contract or renew this Contract. Any reasonable time extension shall not exceed twelve (12) months. Vendor may avoid a reasonable time extension by providing the Purchasing Division Director with written notice of Vendor's desire to terminate this Contract 30 days prior to the expiration of the then current term. During any reasonable time extension period, the Vendor may terminate this Contract for any reason upon giving the Purchasing Division Director 30 days written notice. Automatic extension of this Contract is prohibited. Notwithstanding the foregoing, Purchasing Division approval is not required on agency delegated or exempt purchases, but Attorney General approval may be required.

- | ✓ | **Fixed Period Contract:** This Contract becomes effective upon Vendor's receipt of the notice to proceed and must be completed within  90 working  days.
- | | **One Time Purchase:** The term of this Contract shall run from the issuance of the Purchase Order until all of the goods contracted for have been delivered, but in no event shall this Contract extend for more than one fiscal year.
- | | **Other:** See attached.

4. **NOTICE TO PROCEED:** Vendor shall begin performance of this Contract immediately upon receiving notice to proceed unless otherwise instructed by the Agency. Unless otherwise specified, the fully executed Purchase Order will be considered notice to proceed
5. **QUANTITIES:** The quantities required under this Contract shall be determined in accordance with the category that has been identified as applicable to this Contract below.
- | **Open End Contract:** Quantities listed in this Solicitation are approximations only, based on estimates supplied by the Agency. It is understood and agreed that the Contract shall cover the quantities actually ordered for delivery during the term of the Contract, whether more or less than the quantities shown.
  - | **Service:** The scope of the service to be provided will be more clearly defined in the specifications included herewith.
  - | **Combined Service and Goods:** The scope of the service and deliverable goods to be provided will be more clearly defined in the specifications included herewith.
  - | **One Time Purchase:** This Contract is for the purchase of a set quantity of goods that are identified in the specifications included herewith. Once those items have been delivered, no additional goods may be procured under this Contract without an appropriate change order approved by the Vendor, Agency, Purchasing Division, and Attorney General's office.
6. **PRICING:** The pricing set forth herein is firm for the life of the Contract, unless specified elsewhere within this Solicitation/Contract by the State. A Vendor's inclusion of price adjustment provisions in its bid, without an express authorization from the State in the Solicitation to do so, may result in bid disqualification.
7. **EMERGENCY PURCHASES:** The Purchasing Division Director may authorize the Agency to purchase goods or services in the open market that Vendor would otherwise provide under this Contract if those goods or services are for immediate or expedited delivery in an emergency. Emergencies shall include, but are not limited to, delays in transportation or an unanticipated increase in the volume of work. An emergency purchase in the open market, approved by the Purchasing Division Director, shall not constitute of breach of this Contract and shall not entitle the Vendor to any form of compensation or damages. This provision does not excuse the State from fulfilling its obligations under a One Time Purchase contract.
8. **REQUIRED DOCUMENTS:** All of the items checked below must be provided to the Purchasing Division by the Vendor as specified below.
- | **BID BOND:** All Vendors shall furnish a bid bond in the amount of five percent (5%) of the total amount of the bid protecting the State of West Virginia. The bid bond must be submitted with the bid.

[ ] | **PERFORMANCE BOND:** The apparent successful Vendor shall provide a performance bond in the amount of [ ]. The performance bond must be issued and received by the Purchasing Division prior to Contract award. On construction contracts, the performance bond must be 100% of the Contract value.

[ ] | **LABOR/MATERIAL PAYMENT BOND:** The apparent successful Vendor shall provide a labor/material payment bond in the amount of 100% of the Contract value. The labor/material payment bond must be issued and delivered to the Purchasing Division prior to Contract award.

In lieu of the Bid Bond, Performance Bond, and Labor/Material Payment Bond, the Vendor may provide certified checks, cashier's checks, or irrevocable letters of credit. Any certified check, cashier's check, or irrevocable letter of credit provided in lieu of a bond must be of the same amount and delivered on the same schedule as the bond it replaces. A letter of credit submitted in lieu of a performance and labor/material payment bond will only be allowed for projects under \$100,000. Personal or business checks are not acceptable.

[ ] | **MAINTENANCE BOND:** The apparent successful Vendor shall provide a two (2) year maintenance bond covering the roofing system. The maintenance bond must be issued and delivered to the Purchasing Division prior to Contract award.

[ ] | **WORKERS' COMPENSATION INSURANCE:** The apparent successful Vendor shall have appropriate workers' compensation insurance and shall provide proof thereof upon request.

[ ] | **INSURANCE:** The apparent successful Vendor shall furnish proof of the following insurance prior to Contract award:

[ ] | **Commercial General Liability Insurance:**  
[ ] or more.

[ ] | **Builders Risk Insurance:** builders risk – all risk insurance in an amount equal to 100% of the amount of the Contract.

[ ]	
[ ]	
[ ]	
[ ]	
[ ]	



The apparent successful Vendor shall also furnish proof of any additional insurance requirements contained in the specifications prior to Contract award regardless of whether or not that insurance requirement is listed above.

**LICENSE(S) / CERTIFICATIONS / PERMITS:** In addition to anything required under the Section entitled Licensing, of the General Terms and Conditions, the apparent successful Vendor shall furnish proof of the following licenses, certifications, and/or permits prior to Contract award, in a form acceptable to the Purchasing Division.

[ ]	
[ ]	
[ ]	
[ ]	

The apparent successful Vendor shall also furnish proof of any additional licenses or certifications contained in the specifications prior to Contract award regardless of whether or not that requirement is listed above.

**9. LITIGATION BOND:** The Director reserves the right to require any Vendor that files a protest of an award to submit a litigation bond in the amount equal to one percent of the lowest bid submitted or \$5,000, whichever is greater. The entire amount of the bond shall be forfeited if the hearing officer determines that the protest was filed for frivolous or improper purpose, including but not limited to, the purpose of harassing, causing unnecessary delay, or needless expense for the Agency. All litigation bonds shall be made payable to the Purchasing Division. In lieu of a bond, the protester may submit a cashier's check or certified check payable to the Purchasing Division. Cashier's or certified checks will be deposited with and held by the State Treasurer's office. If it is determined that the protest has not been filed for frivolous or improper purpose, the bond or deposit shall be returned in its entirety.

**10. ALTERNATES:** Any model, brand, or specification listed herein establishes the acceptable level of quality only and is not intended to reflect a preference for, or in any way favor, a particular brand or vendor. Vendors may bid alternates to a listed model or brand provided that the alternate is at least equal to the model or brand and complies with the required specifications. The equality of any alternate being bid shall be determined by the State at its sole discretion. Any Vendor bidding an alternate model or brand should clearly identify the alternate items in its bid and should include manufacturer's specifications, industry literature, and/or any other relevant documentation demonstrating the equality of the alternate items. Failure to provide information for alternate items may be grounds for rejection of a Vendor's bid.

**11. EXCEPTIONS AND CLARIFICATIONS:** The Solicitation contains the specifications that shall form the basis of a contractual agreement. Vendor shall clearly mark any exceptions, clarifications, or

other proposed modifications in its bid. Exceptions to, clarifications of, or modifications of a requirement or term and condition of the Solicitation may result in bid disqualification.

**12. LIQUIDATED DAMAGES:** Vendor shall pay liquidated damages in the amount

n/a for n/a

This clause shall in no way be considered exclusive and shall not limit the State or Agency's right to pursue any other available remedy.

- 13. ACCEPTANCE/REJECTION:** The State may accept or reject any bid in whole, or in part. Vendor's signature on its bid signifies acceptance of the terms and conditions contained in the Solicitation and Vendor agrees to be bound by the terms of the Contract, as reflected in the Purchase Order, upon receipt.
- 14. REGISTRATION:** Prior to Contract award, the apparent successful Vendor must be properly registered with the West Virginia Purchasing Division and must have paid the \$125 fee if applicable.
- 15. COMMUNICATION LIMITATIONS:** In accordance with West Virginia Code of State Rules §148-1-6.6, communication with the State of West Virginia or any of its employees regarding this Solicitation during the solicitation, bid, evaluation or award periods, except through the Purchasing Division, is strictly prohibited without prior Purchasing Division approval. Purchasing Division approval for such communication is implied for all agency delegated and exempt purchases.
- 16. FUNDING:** This Contract shall continue for the term stated herein, contingent upon funds being appropriated by the Legislature or otherwise being made available. In the event funds are not appropriated or otherwise made available, this Contract becomes void and of no effect beginning on July 1 of the fiscal year for which funding has not been appropriated or otherwise made available.
- 17. PAYMENT:** Payment in advance is prohibited under this Contract. Payment may only be made after the delivery and acceptance of goods or services. The Vendor shall submit invoices, in arrears, to the Agency at the address on the face of the purchase order labeled "Invoice To."
- 18. UNIT PRICE:** Unit prices shall prevail in cases of a discrepancy in the Vendor's bid.
- 19. DELIVERY:** All quotations are considered freight on board destination ("F.O.B. destination") unless alternate shipping terms are clearly identified in the bid. Vendor's listing of shipping terms that contradict the shipping terms expressly required by this Solicitation may result in bid disqualification.
- 20. INTEREST:** Interest attributable to late payment will only be permitted if authorized by the West Virginia Code. Presently, there is no provision in the law for interest on late payments.
- 21. PREFERENCE:** Vendor Preference may only be granted upon written request and only in accordance with the West Virginia Code § 5A-3-37 and the West Virginia Code of State Rules. A Resident Vendor Certification form has been attached hereto to allow Vendor to apply for the preference. Vendor's

failure to submit the Resident Vendor Certification form with its bid will result in denial of Vendor Preference. Vendor Preference does not apply to construction projects.

- 22. SMALL, WOMEN-OWNED, OR MINORITY-OWNED BUSINESSES:** For any solicitations publicly advertised for bid on or after July 1, 2012, in accordance with West Virginia Code §5A-3-37(a)(7) and W. Va. CSR § 148-22-9, any non-resident vendor certified as a small, women-owned, or minority-owned business under W. Va. CSR § 148-22-9 shall be provided the same preference made available to any resident vendor. Any non-resident small, women-owned, or minority-owned business must identify itself as such in writing, must submit that writing to the Purchasing Division with its bid, and must be properly certified under W. Va. CSR § 148-22-9 prior to submission of its bid to receive the preferences made available to resident vendors. Preference for a non-resident small, women-owned, or minority owned business shall be applied in accordance with W. Va. CSR § 148-22-9.
- 23. TAXES:** The Vendor shall pay any applicable sales, use, personal property or any other taxes arising out of this Contract and the transactions contemplated thereby. The State of West Virginia is exempt from federal and state taxes and will not pay or reimburse such taxes.
- 24. CANCELLATION:** The Purchasing Division Director reserves the right to cancel this Contract immediately upon written notice to the vendor if the materials or workmanship supplied do not conform to the specifications contained in the Contract. The Purchasing Division Director may cancel any purchase or Contract upon 30 days written notice to the Vendor in accordance with West Virginia Code of State Rules § 148-1-7.16.2.
- 25. WAIVER OF MINOR IRREGULARITIES:** The Director reserves the right to waive minor irregularities in bids or specifications in accordance with West Virginia Code of State Rules § 148-1-4.6.
- 26. TIME:** Time is of the essence with regard to all matters of time and performance in this Contract.
- 27. APPLICABLE LAW:** This Contract is governed by and interpreted under West Virginia law without giving effect to its choice of law principles. Any information provided in specification manuals, or any other source, verbal or written, which contradicts or violates the West Virginia Constitution, West Virginia Code or West Virginia Code of State Rules is void and of no effect.
- 28. COMPLIANCE:** Vendor shall comply with all applicable federal, state, and local laws, regulations and ordinances. By submitting a bid, Vendors acknowledge that they have reviewed, understand, and will comply with all applicable law.
- 29. PREVAILING WAGE:** On any contract for the construction of a public improvement, Vendor and any subcontractors utilized by Vendor shall pay a rate or rates of wages which shall not be less than the fair minimum rate or rates of wages (prevailing wage), as established by the West Virginia Division of Labor under West Virginia Code §§ 21-5A-1 et seq. and available at <http://www.sos.wv.gov/administrative-law/wagerates/Pages/default.aspx>. Vendor shall be responsible for ensuring compliance with prevailing wage requirements and determining when prevailing wage

requirements are applicable. The required contract provisions contained in West Virginia Code of State Rules § 42-7-3 are specifically incorporated herein by reference.

- 30. ARBITRATION:** Any references made to arbitration contained in this Contract, Vendor's bid, or in any American Institute of Architects documents pertaining to this Contract are hereby deleted, void, and of no effect.
- 31. MODIFICATIONS:** This writing is the parties' final expression of intent. Notwithstanding anything contained in this Contract to the contrary, no modification of this Contract shall be binding without mutual written consent of the Agency, and the Vendor, with approval of the Purchasing Division and the Attorney General's office (Attorney General approval is as to form only). **No Change shall be implemented by the Vendor until such time as the Vendor receives an approved written change order from the Purchasing Division.**
- 32. WAIVER:** The failure of either party to insist upon a strict performance of any of the terms or provision of this Contract, or to exercise any option, right, or remedy herein contained, shall not be construed as a waiver or a relinquishment for the future of such term, provision, option, right, or remedy, but the same shall continue in full force and effect. Any waiver must be expressly stated in writing and signed by the waiving party.
- 33. SUBSEQUENT FORMS:** The terms and conditions contained in this Contract shall supersede any and all subsequent terms and conditions which may appear on any form documents submitted by Vendor to the Agency or Purchasing Division such as price lists, order forms, invoices, sales agreements, or maintenance agreements, and includes internet websites or other electronic documents. Acceptance or use of Vendor's forms does not constitute acceptance of the terms and conditions contained thereon.
- 34. ASSIGNMENT:** Neither this Contract nor any monies due, or to become due hereunder, may be assigned by the Vendor without the express written consent of the Agency, the Purchasing Division, the Attorney General's office (as to form only), and any other government agency or office that may be required to approve such assignments. Notwithstanding the foregoing, Purchasing Division approval may or may not be required on certain agency delegated or exempt purchases.
- 35. WARRANTY:** The Vendor expressly warrants that the goods and/or services covered by this Contract will: (a) conform to the specifications, drawings, samples, or other description furnished or specified by the Agency; (b) be merchantable and fit for the purpose intended; and (c) be free from defect in material and workmanship.
- 36. STATE EMPLOYEES:** State employees are not permitted to utilize this Contract for personal use and the Vendor is prohibited from permitting or facilitating the same.
- 37. BANKRUPTCY:** In the event the Vendor files for bankruptcy protection, the State of West Virginia may deem this Contract null and void, and terminate this Contract without notice.

- 38. HIPAA BUSINESS ASSOCIATE ADDENDUM:** The West Virginia State Government HIPAA Business Associate Addendum (BAA), approved by the Attorney General, is available online at <http://www.state.wv.us/admin/purchase/vrc/hipaa.html> and is hereby made part of the agreement provided that the Agency meets the definition of a Covered entity (45 CFR §160.103) and will be disclosing Protected Health Information (45 CFR §160.103) to the Vendor.
- 39. CONFIDENTIALITY:** The Vendor agrees that it will not disclose to anyone, directly or indirectly, any such personally identifiable information or other confidential information gained from the Agency, unless the individual who is the subject of the information consents to the disclosure in writing or the disclosure is made pursuant to the Agency's policies, procedures, and rules. Vendor further agrees to comply with the Confidentiality Policies and Information Security Accountability Requirements, set forth in <http://www.state.wv.us/admin/purchase/privacy/default.html>.
- 40. DISCLOSURE:** Vendor's response to the Solicitation and the resulting Contract are considered public documents and will be disclosed to the public in accordance with the laws, rules, and policies governing the West Virginia Purchasing Division. Those laws include, but are not limited to, the Freedom of Information Act found in West Virginia Code § 29B-1-1 et seq.

If a Vendor considers any part of its bid to be exempt from public disclosure, Vendor must so indicate by specifically identifying the exempt information, identifying the exemption that applies, providing a detailed justification for the exemption, segregating the exempt information from the general bid information, and submitting the exempt information as part of its bid but in a segregated and clearly identifiable format. Failure to comply with the foregoing requirements will result in public disclosure of the Vendor's bid without further notice. A Vendor's act of marking all or nearly all of its bid as exempt is not sufficient to avoid disclosure and WILL NOT BE HONORED. Vendor's act of marking a bid or any part thereof as "confidential" or "proprietary" is not sufficient to avoid disclosure and WILL NOT BE HONORED. In addition, a legend or other statement indicating that all or substantially all of the bid is exempt from disclosure is not sufficient to avoid disclosure and WILL NOT BE HONORED. Vendor will be required to defend any claimed exemption for nondisclosure in the event of an administrative or judicial challenge to the State's nondisclosure. Vendor must indemnify the State for any costs incurred related to any exemptions claimed by Vendor. Any questions regarding the applicability of the various public records laws should be addressed to your own legal counsel prior to bid submission.

- 41. LICENSING:** In accordance with West Virginia Code of State Rules §148-1-6.1.7, Vendor must be licensed and in good standing in accordance with any and all state and local laws and requirements by any state or local agency of West Virginia, including, but not limited to, the West Virginia Secretary of State's Office, the West Virginia Tax Department, West Virginia Insurance Commission, or any other state agency or political subdivision. Upon request, the Vendor must provide all necessary releases to obtain information to enable the Purchasing Division Director or the Agency to verify that the Vendor is licensed and in good standing with the above entities.

- 42. ANTITRUST:** In submitting a bid to, signing a contract with, or accepting a Purchase Order from any agency of the State of West Virginia, the Vendor agrees to convey, sell, assign, or transfer to the State of West Virginia all rights, title, and interest in and to all causes of action it may now or hereafter acquire under the antitrust laws of the United States and the State of West Virginia for price fixing and/or unreasonable restraints of trade relating to the particular commodities or services purchased or acquired by the State of West Virginia. Such assignment shall be made and become effective at the time the purchasing agency tenders the initial payment to Vendor.
- 43. VENDOR CERTIFICATIONS:** By signing its bid or entering into this Contract, Vendor certifies (1) that its bid was made without prior understanding, agreement, or connection with any corporation, firm, limited liability company, partnership, person or entity submitting a bid for the same material, supplies, equipment or services; (2) that its bid is in all respects fair and without collusion or fraud; (3) that this Contract is accepted or entered into without any prior understanding, agreement, or connection to any other entity that could be considered a violation of law; and (4) that it has reviewed this RFQ in its entirety; understands the requirements, terms and conditions, and other information contained herein. Vendor's signature on its bid also affirms that neither it nor its representatives have any interest, nor shall acquire any interest, direct or indirect, which would compromise the performance of its services hereunder. Any such interests shall be promptly presented in detail to the Agency.

The individual signing this bid on behalf of Vendor certifies that he or she is authorized by the Vendor to execute this bid or any documents related thereto on Vendor's behalf; that he or she is authorized to bind the Vendor in a contractual relationship; and that, to the best of his or her knowledge, the Vendor has properly registered with any State agency that may require registration.

- 44. PURCHASING CARD ACCEPTANCE:** The State of West Virginia currently utilizes a Purchasing Card program, administered under contract by a banking institution, to process payment for goods and services. The Vendor must accept the State of West Virginia's Purchasing Card for payment of all orders under this Contract unless the box below is checked.

Vendor is not required to accept the State of West Virginia's Purchasing Card as payment for all goods and services.

- 45. VENDOR RELATIONSHIP:** The relationship of the Vendor to the State shall be that of an independent contractor and no principal-agent relationship or employer-employee relationship is contemplated or created by this Contract. The Vendor as an independent contractor is solely liable for the acts and omissions of its employees and agents. Vendor shall be responsible for selecting, supervising, and compensating any and all individuals employed pursuant to the terms of this Solicitation and resulting contract. Neither the Vendor, nor any employees or subcontractors of the Vendor, shall be deemed to be employees of the State for any purpose whatsoever. Vendor shall be exclusively responsible for payment of employees and contractors for all wages and salaries, taxes, withholding payments, penalties, fees, fringe benefits, professional liability insurance premiums, contributions to insurance and pension, or other deferred compensation plans, including but not limited to, Workers' Compensation and Social Security obligations, licensing fees, *etc.* and the filing of all necessary documents, forms and returns pertinent to all of the foregoing. Vendor shall hold harmless the

State, and shall provide the State and Agency with a defense against any and all claims including, but not limited to, the foregoing payments, withholdings, contributions, taxes, Social Security taxes, and employer income tax returns.

- 46. INDEMNIFICATION:** The Vendor agrees to indemnify, defend, and hold harmless the State and the Agency, their officers, and employees from and against: (1) Any claims or losses for services rendered by any subcontractor, person, or firm performing or supplying services, materials, or supplies in connection with the performance of the Contract; (2) Any claims or losses resulting to any person or entity injured or damaged by the Vendor, its officers, employees, or subcontractors by the publication, translation, reproduction, delivery, performance, use, or disposition of any data used under the Contract in a manner not authorized by the Contract, or by Federal or State statutes or regulations; and (3) Any failure of the Vendor, its officers, employees, or subcontractors to observe State and Federal laws including, but not limited to, labor and wage and hour laws.
- 47. PURCHASING AFFIDAVIT:** In accordance with West Virginia Code § 5A-3-10a, all Vendors are required to sign, notarize, and submit the Purchasing Affidavit stating that neither the Vendor nor a related party owe a debt to the State in excess of \$1,000. The affidavit must be submitted prior to award, but should be submitted with the Vendor's bid. A copy of the Purchasing Affidavit is included herewith.
- 48. ADDITIONAL AGENCY AND LOCAL GOVERNMENT USE:** This Contract may be utilized by and extends to other agencies, spending units, and political subdivisions of the State of West Virginia; county, municipal, and other local government bodies; and school districts ("Other Government Entities"). This Contract shall be extended to the aforementioned Other Government Entities on the same prices, terms, and conditions as those offered and agreed to in this Contract. If the Vendor does not wish to extend the prices, terms, and conditions of its bid and subsequent contract to the Other Government Entities, the Vendor must clearly indicate such refusal in its bid. A refusal to extend this Contract to the Other Government Entities shall not impact or influence the award of this Contract in any manner.
- 49. CONFLICT OF INTEREST:** Vendor, its officers or members or employees, shall not presently have or acquire any interest, direct or indirect, which would conflict with or compromise the performance of its obligations hereunder. Vendor shall periodically inquire of its officers, members and employees to ensure that a conflict of interest does not arise. Any conflict of interest discovered shall be promptly presented in detail to the Agency.
- 50. REPORTS:** Vendor shall provide the Agency and/or the Purchasing Division with the following reports identified by a checked box below:
- Such reports as the Agency and/or the Purchasing Division may request. Requested reports may include, but are not limited to, quantities purchased, agencies utilizing the contract, total contract expenditures by agency, etc.

- | | Quarterly reports detailing the total quantity of purchases in units and dollars, along with a listing of purchases by agency. Quarterly reports should be delivered to the Purchasing Division via email at [purchasing.requisitions@wv.gov](mailto:purchasing.requisitions@wv.gov).

**51. BACKGROUND CHECK:** In accordance with W. Va. Code § 15-2D-3, the Director of the Division of Protective Services shall require any service provider whose employees are regularly employed on the grounds or in the buildings of the Capitol complex or who have access to sensitive or critical information to submit to a fingerprint-based state and federal background inquiry through the state repository. The service provider is responsible for any costs associated with the fingerprint-based state and federal background inquiry.

After the contract for such services has been approved, but before any such employees are permitted to be on the grounds or in the buildings of the Capitol complex or have access to sensitive or critical information, the service provider shall submit a list of all persons who will be physically present and working at the Capitol complex to the Director of the Division of Protective Services for purposes of verifying compliance with this provision.

The State reserves the right to prohibit a service provider's employees from accessing sensitive or critical information or to be present at the Capitol complex based upon results addressed from a criminal background check.

Service providers should contact the West Virginia Division of Protective Services by phone at (304) 558-9911 for more information.

**52. PREFERENCE FOR USE OF DOMESTIC STEEL PRODUCTS:** Except when authorized by the Director of the Purchasing Division pursuant to W. Va. Code § 5A-3-56, no contractor may use or supply steel products for a State Contract Project other than those steel products made in the United States. A contractor who uses steel products in violation of this section may be subject to civil penalties pursuant to W. Va. Code § 5A-3-56. As used in this section:

- a. "State Contract Project" means any erection or construction of, or any addition to, alteration of or other improvement to any building or structure, including, but not limited to, roads or highways, or the installation of any heating or cooling or ventilating plants or other equipment, or the supply of and materials for such projects, pursuant to a contract with the State of West Virginia for which bids were solicited on or after June 6, 2001.
- b. "Steel Products" means products rolled, formed, shaped, drawn, extruded, forged, cast, fabricated or otherwise similarly processed, or processed by a combination of two or more or such operations, from steel made by the open heath, basic oxygen, electric furnace, Bessemer or other steel making process.

The Purchasing Division Director may, in writing, authorize the use of foreign steel products if:

- a. The cost for each contract item used does not exceed one tenth of one percent (.1%) of the total



contract cost or two thousand five hundred dollars (\$2,500.00), whichever is greater. For the purposes of this section, the cost is the value of the steel product as delivered to the project; or

- b. The Director of the Purchasing Division determines that specified steel materials are not produced in the United States in sufficient quantity or otherwise are not reasonably available to meet contract requirements.

**53. PREFERENCE FOR USE OF DOMESTIC ALUMINUM, GLASS, AND STEEL:** In Accordance with W. Va. Code § 5-19-1 et seq., and W. Va. CSR § 148-10-1 et seq., for every contract or subcontract, subject to the limitations contained herein, for the construction, reconstruction, alteration, repair, improvement or maintenance of public works or for the purchase of any item of machinery or equipment to be used at sites of public works, only domestic aluminum, glass or steel products shall be supplied unless the spending officer determines, in writing, after the receipt of offers or bids, (1) that the cost of domestic aluminum, glass or steel products is unreasonable or inconsistent with the public interest of the State of West Virginia, (2) that domestic aluminum, glass or steel products are not produced in sufficient quantities to meet the contract requirements, or (3) the available domestic aluminum, glass, or steel do not meet the contract specifications. This provision only applies to public works contracts awarded in an amount more than fifty thousand dollars (\$50,000) or public works contracts that require more than ten thousand pounds of steel products.

The cost of domestic aluminum, glass, or steel products may be unreasonable if the cost is more than twenty percent (20%) of the bid or offered price for foreign made aluminum, glass, or steel products. If the domestic aluminum, glass or steel products to be supplied or produced in a “substantial labor surplus area”, as defined by the United States Department of Labor, the cost of domestic aluminum, glass, or steel products may be unreasonable if the cost is more than thirty percent (30%) of the bid or offered price for foreign made aluminum, glass, or steel products.

This preference shall be applied to an item of machinery or equipment, as indicated above, when the item is a single unit of equipment or machinery manufactured primarily of aluminum, glass or steel, is part of a public works contract and has the sole purpose or of being a permanent part of a single public works project. This provision does not apply to equipment or machinery purchased by a spending unit for use by that spending unit and not as part of a single public works project.

All bids and offers including domestic aluminum, glass or steel products that exceed bid or offer prices including foreign aluminum, glass or steel products after application of the preferences provided in this provision may be reduced to a price equal to or lower than the lowest bid or offer price for foreign aluminum, glass or steel products plus the applicable preference. If the reduced bid or offer prices are made in writing and supersede the prior bid or offer prices, all bids or offers, including the reduced bid or offer prices, will be reevaluated in accordance with this rule.

**CERTIFICATION AND SIGNATURE PAGE**

By signing below, I certify that I have reviewed this Solicitation in its entirety; understand the requirements, terms and conditions, and other information contained herein; that I am submitting this bid or proposal for review and consideration; that I am authorized by the bidder to execute this bid or any documents related thereto on bidder's behalf; that I am authorized to bind the bidder in a contractual relationship; and that to the best of my knowledge, the bidder has properly registered with any State agency that may require registration.

\_\_\_\_\_  
(Company)

\_\_\_\_\_  
(Authorized Signature)

\_\_\_\_\_  
(Representative Name, Title)

\_\_\_\_\_  
(Phone Number)

\_\_\_\_\_  
(Fax Number)

\_\_\_\_\_  
(Date)

**ADDENDUM ACKNOWLEDGEMENT FORM**

**SOLICITATION NO.:**

**Instructions:** Please acknowledge receipt of all addenda issued with this solicitation by completing this addendum acknowledgment form. Check the box next to each addendum received and sign below. Failure to acknowledge addenda may result in bid disqualification.

**Acknowledgment:** I hereby acknowledge receipt of the following addenda and have made the necessary revisions to my proposal, plans and/or specification, etc.

**Addendum Numbers Received:**

(Check the box next to each addendum received)

- |   |  |
|---|--|
| <input type="checkbox"/> Addendum No. 1 | <input type="checkbox"/> Addendum No. 6  |
| <input type="checkbox"/> Addendum No. 2 | <input type="checkbox"/> Addendum No. 7  |
| <input type="checkbox"/> Addendum No. 3 | <input type="checkbox"/> Addendum No. 8  |
| <input type="checkbox"/> Addendum No. 4 | <input type="checkbox"/> Addendum No. 9  |
| <input type="checkbox"/> Addendum No. 5 | <input type="checkbox"/> Addendum No. 10 |

I understand that failure to confirm the receipt of addenda may be cause for rejection of this bid. I further understand that any verbal representation made or assumed to be made during any oral discussion held between Vendor's representatives and any state personnel is not binding. Only the information issued in writing and added to the specifications by an official addendum is binding.

\_\_\_\_\_  
Company

\_\_\_\_\_  
Authorized Signature

\_\_\_\_\_  
Date

NOTE: This addendum acknowledgement should be submitted with the bid to expedite document processing.

REQUEST FOR QUOTATION  
[0713-0825] [Structural Steel]

---

**SPECIFICATIONS**

1. **PURPOSE AND SCOPE:** The West Virginia Purchasing Division is soliciting bids on behalf of WV Division of Highways to establish a contract for the one time purchase of Structural Steel.
2. **DEFINITIONS:** The terms listed below shall have the meanings assigned to them below. Additional definitions can be found in section 2 of the General Terms and Conditions.
  - 2.1 **“Contract Item”** means structural steel beams, plate, channel, and assembly hardware.
  - 2.2 **“Pricing Page”** means the page upon which Vendor should list its proposed price for the Contract Items in the manner requested. The Contract Items are either included on the last page of this RFQ or attached hereto as Exhibit A.
  - 2.3 **“RFQ”** means the official request for quotation published by the Purchasing Division and identified as 0713-0825.
3. **GENERAL REQUIREMENTS:**
  - 3.1 **Mandatory Contract Item Requirements:** Contract Item must meet or exceed the mandatory requirements listed below.
    - 3.1.1 **13,825 pounds of W-12x79 structural steel beam.**
      - 3.1.1.1 W-12x79 structural steel beam must be 5 pieces 35 feet 0 inches long.
      - 3.1.1.2 W-12x79 structural steel beam must be AASHTO M270 GRADE 50.
      - 3.1.1.3 W-12x79 structural steel beam must be fabricated in accordance with attached plans.
      - 3.1.1.4 W-12x79 structural steel beam must be hot dipped galvanized according to ASTM A123 and ASTM A152.
    - 3.1.2 **7,800 pounds of W-12x65 structural steel beam.**
      - 3.1.2.1 W-12x65 structural steel beam must be 6 pieces 20 feet 0 inches long.
      - 3.1.2.2 W-12x65 structural steel beam must be AASHTO M270 GRADE 50.
      - 3.1.2.3 W-12x65 structural steel beam must be fabricated in accordance with attached plans.
      - 3.1.2.4 W-12x65 structural steel beam must be hot dipped galvanized according to ASTM A123 and ASTM A152.

REQUEST FOR QUOTATION  
[0713-0825] [Structural Steel]

---

**3.1.3 3,380 pounds of W-12x65 structural steel beam.**

**3.1.3.1 W-12x65 structural steel beam must be 2 pieces 26 feet 0 inches long.**

**3.1.3.2 W-12x65 structural steel beam must be AASHTO M270 GRADE 50.**

**3.1.3.3 W-12x65 structural steel beam must be fabricated in accordance with attached plans.**

**3.1.3.4 W-12x65 structural steel beams must be hot dipped galvanized according to ASTM A123 and ASTM A152.**

**3.1.4 6,370 pounds of structural steel plate.**

**3.1.4.1 Structural steel plate must be 2 pieces 26 feet 0 inches long, 4 feet 0 inches wide, and 3/4" inches thick.**

**3.1.4.2 Structural steel plate must be AASHTO M270 GRADE 50.**

**3.1.4.3 Structural steel plate must be fabricated in accordance with attached plans.**

**3.1.4.4 Structural steel plate must be hot dipped galvanized according to ASTM A123 and ASTM A152.**

**3.1.5 1,817 pounds of structural steel plate.**

**3.1.5.1 Structural steel plate must be 2 pieces 26 feet 0 inches long, 1 foot 4 inches wide, and 3/4 inches thick.**

**3.1.5.2 Structural steel plate must have shop cut ends.**

**3.1.5.3 Structural steel plate must be AASHTO M270 GRADE 50.**

**3.1.5.4 Structural steel plate must be fabricated in accordance with attached plans.**

**3.1.5.5 Structural steel plate must be hot dipped galvanized according to ASTM A123 and ASTM A152.**

**3.1.10 175 each Deck nailing clips**

**3.1.10.1 Deck nailing clips must be for 2 inch x 6 inch timbers.**

**3.1.10.2 Deck nailing clips must have 3/4 inch slot.**

**3.1.10.3 Deck nailing clips must be hot dipped galvanized according to  
ASTM A123 and ASTM A152.**

**Notes**

All cutting, drilling, welding, and galvanizing shown on the plans shall be included in the bid price. Materials supplied under this contract shall meet the applicable requirements of the West Virginia Dept. of Transportation, Division of Highways Standard Specification Roads and Bridges and the current Supplemental Specifications. Specifications are available on the following website:

[www.transportation.wv.gov/highways/engineering/pages/publications.aspx](http://www.transportation.wv.gov/highways/engineering/pages/publications.aspx)

**4. CONTRACT AWARD:**

**4.1 Contract Award:** The Contract is intended to provide Agencies with a purchase price for the Contract Items. The Contract shall be awarded to the Vendor that provides the Contract Items meeting the required specifications for the lowest overall Grand Total cost as shown on the Pricing Pages. Award will be to a single vendor, not split.

**4.2 Pricing Page:** Vendor should complete the Pricing Page by filling in Unit Price, Total Amount, and the Grand Total in the blank spaces provided. Vendor should complete the Pricing Page in full as failure to complete the Pricing Page in its entirety may result in Vendor's bid being disqualified.

Notwithstanding the foregoing, the Purchasing Division may correct errors as it deems appropriate. Vendor should type or electronically enter the information into the Pricing Page to prevent errors in the evaluation.

REQUEST FOR QUOTATION  
[0713-0825] [Structural Steel]

---

5. **PAYMENT:**

6.1 **Payment:** Vendor shall accept payment in accordance with the payment procedures of the State of West Virginia.

6. **DELIVERY AND RETURN:**

7.1 **Shipment and Delivery:** Vendor shall begin fabrication of the Contract Items immediately after being awarded this Contract and receiving a purchase order or notice to proceed. Vendor shall deliver the Contract Items within **90 working days** after receiving a purchase order or notice to proceed. **Contract Items must be delivered to Agency at:**

**District 7 Storage Yard  
1205 US Highway 19 S  
Weston, WV 26452**


7.2 **Late Delivery:** The Agency placing the order under this Contract must be notified in writing if the shipment of the Contract Items will be delayed for any reason. Any delay in delivery that could cause harm to an Agency will be grounds for cancellation of the Contract, and/or obtaining the Contract Items from a third party.

Any Agency seeking to obtain the Contract Items from a third party under this provision must first obtain approval of the Purchasing Division.

7.3 **Delivery Payment/Risk of Loss:** Vendor shall deliver the Contract Items F.O.B. destination to the Agency's specified location.

7.4 **Return of Unacceptable Items:** If the Agency deems the Contract Items to be unacceptable, the Contract Items shall be returned to Vendor at Vendor's expense and with no restocking charge. Vendor shall either make arrangements for the return within five (5) days of being notified that items are unacceptable, or permit the Agency to arrange for the return and reimburse Agency for delivery expenses. If the original packaging cannot be utilized for the return, Vendor will supply the Agency with appropriate return packaging upon request. All returns of unacceptable items shall be F.O.B. the Agency's location. The returned product shall either be replaced, or the Agency shall receive a full credit or refund for the purchase price, at the Agency's discretion.

7.5 **Return Due to Agency Error:** Items ordered in error by the Agency will be returned for credit within 30 days of receipt, F.O.B. Vendor's location. Vendor shall not charge a restocking fee if returned products are in a resalable condition. Items shall be deemed to be in a resalable condition if they are unused and in the original packaging. Any restocking fee for items not in a resalable condition shall be the lower of the Vendor's customary restocking fee or 5% of the total invoiced value of the returned items.

Pricing Page					
RFQ#: 07130825					
Item Number	Quantity	Unit of Measure	Description	Unit Cost	Total
1	13,825	pounds	W-12x79 5 pieces 35 feet 0 inch long		\$
2	7,800	pounds	W-12x65 6 pieces 20 feet 0 inch long		\$
3	3,380	pounds	W-12x65 2 pieces 26 feet 0 inch long		\$
4	6,370	pounds	Structural Steel Plate 2 pieces 4 feet x $\frac{3}{4}$ inch x 26 feet 0 inch long		\$
5	1,817	pounds	Structural Steel Plate 2 pieces 1 feet 4 inch x $\frac{3}{4}$ inch x 26 feet 0 inch (shop cut ends)		\$
6	220	pounds	C-8 x 13.75 4 pieces 4 feet 0 inch long		\$
7	567	pounds	Diaphragm Assemblies 12 pieces		\$
8	72	each	Exterior high strength bolt w/ nut and washer $\frac{3}{4}$ inch x 2 inch		\$
9	14	each	Interior high strength bolt w/ nut and 2 washers $\frac{5}{8}$ inch x 18 inch		\$
10	175	each	Deck Nailing Clips For 2 inch x 6 inch timbers with $\frac{3}{4}$ inch slot		\$
<b>Grand Total</b>					\$



State of West Virginia

VENDOR PREFERENCE CERTIFICATE

Certification and application\* is hereby made for Preference in accordance with West Virginia Code, §5A-3-37. (Does not apply to construction contracts). West Virginia Code, §5A-3-37, provides an opportunity for qualifying vendors to request (at the time of bid) preference for their residency status. Such preference is an evaluation method only and will be applied only to the cost bid in accordance with the West Virginia Code. This certificate for application is to be used to request such preference. The Purchasing Division will make the determination of the Resident Vendor Preference, if applicable.

- 1. Application is made for 2.5% resident vendor preference for the reason checked: Bidder is an individual resident vendor and has resided continuously in West Virginia for four (4) years immediately preceding the date of this certification; or, Bidder is a partnership, association or corporation resident vendor and has maintained its headquarters or principal place of business continuously in West Virginia for four (4) years immediately preceding the date of this certification; or 80% of the ownership interest of Bidder is held by another individual, partnership, association or corporation resident vendor who has maintained its headquarters or principal place of business continuously in West Virginia for four (4) years immediately preceding the date of this certification; or, Bidder is a nonresident vendor which has an affiliate or subsidiary which employs a minimum of one hundred state residents and which has maintained its headquarters or principal place of business within West Virginia continuously for the four (4) years immediately preceding the date of this certification; or,
2. Application is made for 2.5% resident vendor preference for the reason checked: Bidder is a resident vendor who certifies that, during the life of the contract, on average at least 75% of the employees working on the project being bid are residents of West Virginia who have resided in the state continuously for the two years immediately preceding submission of this bid; or,
3. Application is made for 2.5% resident vendor preference for the reason checked: Bidder is a nonresident vendor employing a minimum of one hundred state residents or is a nonresident vendor with an affiliate or subsidiary which maintains its headquarters or principal place of business within West Virginia employing a minimum of one hundred state residents who certifies that, during the life of the contract, on average at least 75% of the employees or Bidder's affiliate's or subsidiary's employees are residents of West Virginia who have resided in the state continuously for the two years immediately preceding submission of this bid; or,
4. Application is made for 5% resident vendor preference for the reason checked: Bidder meets either the requirement of both subdivisions (1) and (2) or subdivision (1) and (3) as stated above; or,
5. Application is made for 3.5% resident vendor preference who is a veteran for the reason checked: Bidder is an individual resident vendor who is a veteran of the United States armed forces, the reserves or the National Guard and has resided in West Virginia continuously for the four years immediately preceding the date on which the bid is submitted; or,
6. Application is made for 3.5% resident vendor preference who is a veteran for the reason checked: Bidder is a resident vendor who is a veteran of the United States armed forces, the reserves or the National Guard, if, for purposes of producing or distributing the commodities or completing the project which is the subject of the vendor's bid and continuously over the entire term of the project, on average at least seventy-five percent of the vendor's employees are residents of West Virginia who have resided in the state continuously for the two immediately preceding years.
7. Application is made for preference as a non-resident small, women- and minority-owned business, in accordance with West Virginia Code §5A-3-59 and West Virginia Code of State Rules. Bidder has been or expects to be approved prior to contract award by the Purchasing Division as a certified small, women- and minority-owned business.

Bidder understands if the Secretary of Revenue determines that a Bidder receiving preference has failed to continue to meet the requirements for such preference, the Secretary may order the Director of Purchasing to: (a) reject the bid; or (b) assess a penalty against such Bidder in an amount not to exceed 5% of the bid amount and that such penalty will be paid to the contracting agency or deducted from any unpaid balance on the contract or purchase order.

By submission of this certificate, Bidder agrees to disclose any reasonably requested information to the Purchasing Division and authorizes the Department of Revenue to disclose to the Director of Purchasing appropriate information verifying that Bidder has paid the required business taxes, provided that such information does not contain the amounts of taxes paid nor any other information deemed by the Tax Commissioner to be confidential.

Under penalty of law for false swearing (West Virginia Code, §61-5-3), Bidder hereby certifies that this certificate is true and accurate in all respects; and that if a contract is issued to Bidder and if anything contained within this certificate changes during the term of the contract, Bidder will notify the Purchasing Division in writing immediately.

Bidder: \_\_\_\_\_ Signed: \_\_\_\_\_
Date: \_\_\_\_\_ Title: \_\_\_\_\_

RFQ No. \_\_\_\_\_

STATE OF WEST VIRGINIA  
Purchasing Division

**PURCHASING AFFIDAVIT**

**MANDATE:** Under W. Va. Code §5A-3-10a, no contract or renewal of any contract may be awarded by the state or any of its political subdivisions to any vendor or prospective vendor when the vendor or prospective vendor or a related party to the vendor or prospective vendor is a debtor and: (1) the debt owed is an amount greater than one thousand dollars in the aggregate; or (2) the debtor is in employer default.

**EXCEPTION:** The prohibition listed above does not apply where a vendor has contested any tax administered pursuant to chapter eleven of the W. Va. Code, workers' compensation premium, permit fee or environmental fee or assessment and the matter has not become final or where the vendor has entered into a payment plan or agreement and the vendor is not in default of any of the provisions of such plan or agreement.

**DEFINITIONS:**

**"Debt"** means any assessment, premium, penalty, fine, tax or other amount of money owed to the state or any of its political subdivisions because of a judgment, fine, permit violation, license assessment, defaulted workers' compensation premium, penalty or other assessment presently delinquent or due and required to be paid to the state or any of its political subdivisions, including any interest or additional penalties accrued thereon.

**"Employer default"** means having an outstanding balance or liability to the old fund or to the uninsured employers' fund or being in policy default, as defined in W. Va. Code § 23-2c-2, failure to maintain mandatory workers' compensation coverage, or failure to fully meet its obligations as a workers' compensation self-insured employer. An employer is not in employer default if it has entered into a repayment agreement with the Insurance Commissioner and remains in compliance with the obligations under the repayment agreement.

**"Related party"** means a party, whether an individual, corporation, partnership, association, limited liability company or any other form or business association or other entity whatsoever, related to any vendor by blood, marriage, ownership or contract through which the party has a relationship of ownership or other interest with the vendor so that the party will actually or by effect receive or control a portion of the benefit, profit or other consideration from performance of a vendor contract with the party receiving an amount that meets or exceed five percent of the total contract amount.

**AFFIRMATION:** By signing this form, the vendor's authorized signer affirms and acknowledges under penalty of law for false swearing (W. Va. Code §61-5-3) that neither vendor nor any related party owe a debt as defined above and that neither vendor nor any related party are in employer default as defined above, unless the debt or employer default is permitted under the exception above.

**WITNESS THE FOLLOWING SIGNATURE:**

Vendor's Name: \_\_\_\_\_

Authorized Signature: \_\_\_\_\_ Date: \_\_\_\_\_

State of \_\_\_\_\_

County of \_\_\_\_\_, to-wit:

Taken, subscribed, and sworn to before me this \_\_\_\_ day of \_\_\_\_\_, 20\_\_.

My Commission expires \_\_\_\_\_, 20\_\_.

AFFIX SEAL HERE

NOTARY PUBLIC \_\_\_\_\_

*Purchasing Affidavit (Revised 07/01/2012)*

**NOTE:**

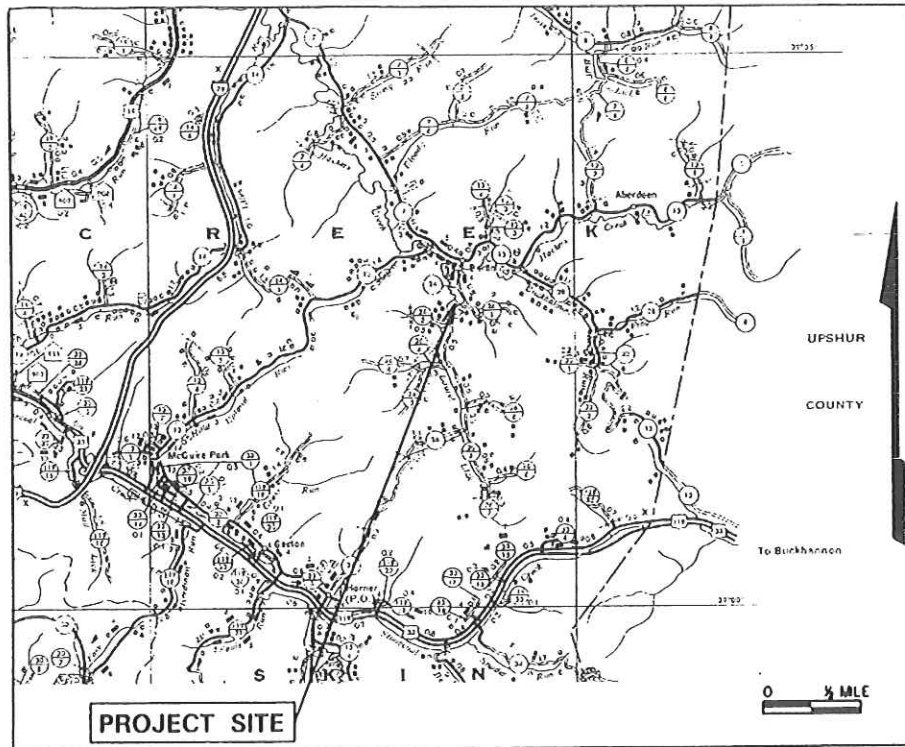
**Vendor and Notary's date must be the same.**

**Notary required to AFFIX SEAL on Purchasing Affidavit.**

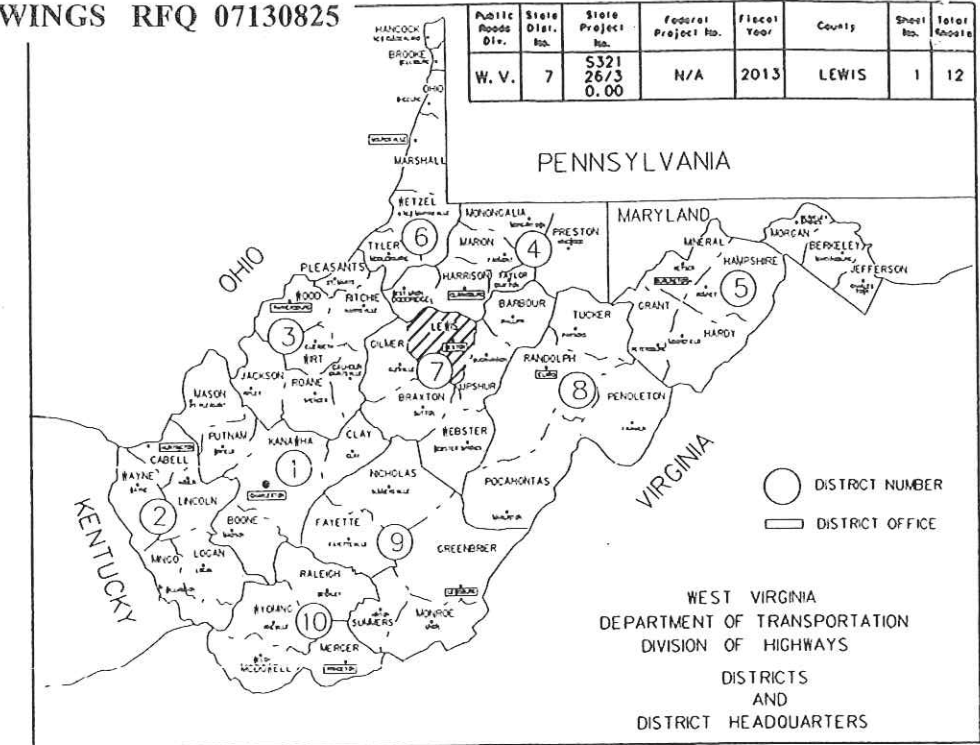
# WEST VIRGINIA DEPARTMENT OF TRANSPORTATION DIVISION OF HIGHWAYS PLANS FOR CONSTRUCTION OF LAUREL LICK PIPE REPLACEMENT

STATE PROJECT NO. S321-26/3-0.00  
COUNTY ROUTE NO. 26/3  
HACKERS CREEK DISTRICT  
LEWIS COUNTY

	Station	Station	ft.	miles
Roadway	0+00.00	to 1+10.43	110.43	0.021
Bridge	1+10.43	to 1+44.81	34.38	0.006
Roadway	1+44.81	to 2+75.00	130.19	0.025
<b>Total Project Length</b>			<b>275.00</b>	<b>0.052</b>

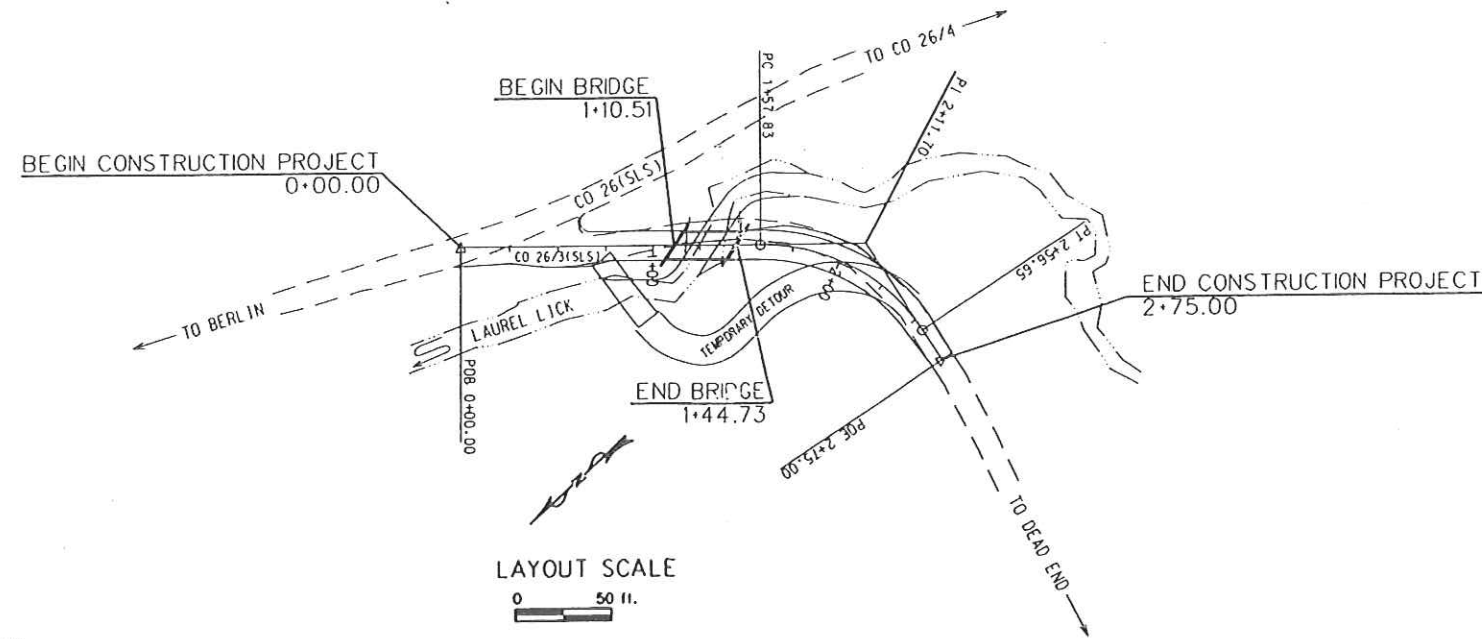


### UTILITIES



### TYPE OF CONSTRUCTION

**BRIDGE CONSTRUCTION  
BRIDGE REPLACEMENT #11096**



SIGNED: *W. Richard White*  
RESPONSIBLE CHARGE ENGINEER

DATE: 12/19/12

W. RICHARD WHITE  
REGISTERED  
6349  
STATE OF  
WEST VIRGINIA  
PROFESSIONAL ENGINEER

NOTES: STANDARD DETAIL BOOK VOL. I DATED JANUARY 1, 2000 & VOLUME II DATED JANUARY 1, 1994, SHALL APPLY TO THIS PROJECT.

DESIGNED BY:	GFL	8-12
DRAWN BY:	GFL	8-12
CHECKED BY:	RMR	10-12
REVIEWED BY:	WRW	11-12

DESIGN DESIGNATION	
A. D. T (2009 ±)	10
A. D. T (2029 ±)	13
D. H. V	N/A
D	N/A
T	N/A
V	25 MPH

CONVENTIONAL SIGNS	
	STATE LINE
	COUNTY LINE
	CORPORATION LINE
	PROPOSED R/W & EASEMENT LINE
	EXISTING R/W LINE
	PROPERTY LINE
	EXISTING FENCE
	PROPOSED FENCE
	EDGE OF STREAM
	PROPOSED GUARD RAIL
	EXISTING GUARD RAIL
	RAILROAD
	GAS LINE
	WATER LINE
	TELEPHONE LINE
	ELECTRIC LINE
	TELEPHONE POLE
	POWER POLE
	COMBINED POWER AND TELEPHONE POLE
	TREE
	SHRUB
	RIGHT OF WAY MARKER

INDEX TO SHEETS	
NO.	DESCRIPTION
1	TITLE SHEET
2	GENERAL NOTES
3	EXISTING ELEVATION & DECK SECTION, SCOPE OF WORK, & ESTIMATE OF QUANTITIES
4	R/W AND UTILITY INDEX
5	PROJECT PLAN VIEW
6	GEOMETRIC LAYOUT & REFERENCES
7	PROFILES, TYP. SECTIONS, & CORE BORINGS
8	PROPOSED BRIDGE PLAN VIEW, STEEL LAYOUT & PROPOSED DECK SECTION
9	ELEVATION VIEW, HYDRAULIC DATA, ABUTMENT CAP DETAILS, & DIAPHRAGM DETAILS
10	DECK AND CURB DETAILS
11-12	ROAD CROSS SECTIONS

REVISION NUMBER	SHEET NUMBER	REVISIONS	DATE	BY

I HEREBY CERTIFY THAT THIS IS A CORRECT COPY OF THE PLANS OF PROJECT S321-26/3-0.00

EXECUTIVE SECRETARY

RECOMMENDED *[Signature]* DESIGNER

RECOMMENDED *[Signature]* STATE HIGHWAY ENGINEER

APPROVED *[Signature]* COMMISSIONER OF HIGHWAYS

### GOVERNING SPECIFICATIONS

The governing provisions applicable to this project are the West Virginia Department of Highways Standard Specifications, Roads and Bridges, adopted 2000, as amended by the current Supplemental Specifications of the West Virginia Department of Highways, the contract plans and the contract documents.

\*Current Supplemental Specifications shall be the Specifications in effect on the first day of project advertisement for letting to contract.

### DESIGN-NEW STRUCTURES 1

This bridge is designed for an HL-93 live load capacity, as well as for a 50 p.s.f. wearing surface.

Design Unit Stresses:

Reinforcing Steel- $f_s$ = 20,000 p.s.i.	Class B Concrete- $f'_c$ = 3,000 p.s.i.
Structural Steel (A36)- $f_s$ = 20,000 p.s.i.	Class B Concrete- $f'_c$ = 1,200 p.s.i.
Structural Steel (A572)- $f_s$ = 27,000 p.s.i.	Class B Concrete- $n$ = 10
50 KSI	

### DESIGN-REHABILITATION AND STRENGTHENING 2

This bridge is strengthened for a live load capacity of HL-93. Strengthening steel design stress- $f_s$  = 20,000 p.s.i. All structural steel shall be ASTM A36 unless otherwise designated on the construction plans.

### CONCRETE (CAST-IN-PLACE) 3

Concrete shall be cured in accordance with Subsection 601.12 of the Standard Specifications. If used, polyethylene coated tarp shall conform to the requirements of Subsection 707.5 of the Standard Specifications.

The minimum covering, measured from the surface of the concrete to the face of any reinforcing steel bar, shall be 3 inches if the concrete is in contact with the ground surface and 2 inches otherwise, except as specified differently on the plans.

### SUBSTRUCTURE CONCRETE (CAST-IN-PLACE) 4

All concrete in the substructure shall be Class B, air entrained. Chamfer all exposed edges of the substructure concrete 1 inch, except for the abutment curbs, which shall be chamfered 3/4 inch.

The exposed surface of the substructure shall be Class 1, Ordinary Surface Finish, in accordance with Subsection 601.11.1 of the Standard Specifications, except for the abutment curbs and wingwalls, which shall be Class 2, Rubbed Finish, in accordance with Subsection 601.11.2 of the Standard Specifications.

The abutment curtain wall shall not be poured until after the superstructure is in place. For footings embedded in rock, the top of the abutment footing shall be maintained at the elevations shown on the plans. The footings shall be carried a minimum of 1 foot into solid rock and poured against the face of the rock without forms, except where the rock excavation is not the entire depth of the footing.

The abutment bearing seat upon which the shoes or other bearing devices will be set, shall be finished to true elevations as shown on the plans.

Fill anchor bolt holes with non-shrink grout after anchor bolts are set. The non-shrink grout shall consist of 1 part regular portland cement, 1 part silica sand and 1 part non-shrink admixture. The cost of the non-shrink grout shall be included in Pay Item 601-2, "Class B Concrete".

### SUPERSTRUCTURE CONCRETE (CAST-IN-PLACE) 5

All concrete in the superstructure shall be Class K, air entrained. All concrete for decks, curbs, parapets or medians shall be Class K, air entrained, containing 7 bags of cement per cubic yard.

Chamfer all exposed edges of the curbs, parapets or medians 3/4". The exposed surfaces of the curbs shall be Class 2, Rubbed Finish, in accordance with Subsection 601.11.2 of the Standard Specifications. Bridge decks shall be finished in accordance with Subsection 601.11.4 of the Standard Specifications.

### REINFORCING STEEL BARS 6

All reinforcing steel bars shall be intermediate grade billet steel, Grade 40 or 60 in accordance with Subsection 702.1 of the Standard Specifications. The requirements of Section 602 of the Standard Specifications shall be followed.

The minimum splice length or dowel bar embedment shall be 30 bar diameters. Reinforcement under the shoes or other bearing device shall be so placed so as to avoid interference with drilling of anchor bolt holes.

The inspector shall select random bars from the reinforcing bar list for test bars. He shall cut 5'-0" from the bars chosen, rebars have been detailed to allow a 30 bar diameter splice at each end. One rebar for each 10 tons or fraction thereof of each size has been included in the bill of steel and will be paid for under Item 602-1. In the event all bars of one size are not sent in one shipment, the supplier shall, at his expense, furnish one bar for each 10 tons or fraction thereof, for each extra shipment.

In the event that any shipment of material has been pre-tested and has been identified in accordance with Materials Control, Soil and Testing Division's Informational Memorandum Number 17(1M-17), the shipment may be accepted without further testing subject to record sampling procedures.

### STRUCTURE EXCAVATION (FOOTINGS FOUNDED IN ROCK) 7

Structure excavation quantities through earth fill shall be measured from the top of rock to the original ground line, 18 inches outside the neat lines of the footings. No excavation will be classified as wet or rock excavation. Rock shall be excavated and paid for as structure excavation to the neat lines of the footings only. Rock shall be excavated until a level surface is provided with the entire footing resting on hard rock.

### STEEL TOUGHNESS REQUIREMENT 8

The provisions of the AASHTO Specifications in accordance with Article 615.4.9 of the Standard Specifications shall apply to those items of structural steel as shown and/or designated by these plans.

### PAINTING (NEW STRUCTURES) 9

Shop and field painting shall be in accordance with Section 615 of the current Standard Specifications and/or Special Provisions.

#### OPTION: 9A

Paint system shall consist of one shop prime coat, one field prime coat and two field finish coats. **Shop Prime Coat:** One complete coat of vinyl shop primer conforming to the requirements of Subsection 711.7 of the Standard Specifications. This will replace the shop paint specified in Subsection 615.6.3. Dry film thickness shall be a minimum of two (2) mils.

**Field Prime Coat:** One complete coat of linseed oil primer conforming to the requirements of Subsection 711.8 of the Standard Specifications. Dry film thickness shall be a minimum of two (2) mils.

**First Finish Coat:** One complete pigmented finish coat conforming to the requirements of Subsection 711.10 of the Standard Specifications. The color shall be (C) in accordance with Federal Standard 595, number (C). Dry film thickness shall be a minimum of two (2) mils.

**Top Finish Coat:** One complete pigmented finish coat conforming to the requirements of Subsection 711.11 of the Standard Specifications. The color shall be (C) in accordance with Federal Standard 595, number (C). Dry film thickness shall be a minimum of two (2) mils.

#### OPTION: 9B

Paint system shall consist of shop prime coat, intermediate field fogcoat and finish topcoat. Field painting shall also include touch-up and repair of shop paint. Paint system shall be the inorganic zinc rich system meeting the requirements of Section 711.20 of the Standard Specifications.

**Shop Prime Coat:** Shall conform to the requirements of Subsection 711.20.2 of the Standard Specifications. Dry film thickness shall be minimum three (3) mils.

**Intermediate Field Coat:** Shall conform to the requirements of Subsection 711.20.3 of the Standard Specifications.

**Topcoat:** Shall conform to the requirements of Subsection 711.20.4 of the Standard Specifications. The color shall be (C) in accordance with Federal Standard 595, number (C). Dry film thickness of the total paint system shall be a minimum of seven (7) mils.

#### OPTION: 9C

Paint system shall consist of application of shop prime coat and field touch-up and repair of shop coat. Paint system shall be the inorganic zinc rich primer meeting the requirements of Subsection 711.20.2 of the Standard Specifications. Dry film thickness shall be a minimum three (3) mils.

### CLEANING AND PAINTING (EXISTING STRUCTURES) 10

Field cleaning and painting shall be in accordance with either OPTION (10A) or (10B) and shall also conform to all applicable requirements of Section 620 of the current Standard Specifications and/or Special Provisions. When it is determined that the structure contains an environmentally hazardous existing paint system then option (10C) shall also apply.

#### OPTION: 10A

**Cleaning:** The portions of the structure listed in the special notes and quantity sheet, which is approximately (C) per cent, shall be cleaned in accordance with Subsection 620.6.1 of the Standard Specifications.

The remaining portions of the structure not specified, shall be cleaned in accordance with Subsection 620.6.2. It is not intended that sound, adherent old paint be removed unless it is excessively thick or inflexible.

Attention is called to the requirements of paragraph 2 of Section 620.6 which requires that edges of paint be properly feathered to produce a smooth appearance.

In the event that there is a difference of opinion as to which areas must be sandblasted or hand cleaned or to the extent of surface cleaning or surface preparation, the decision of the Engineer shall be final.

**Spot Painting:** All steel surfaces cleaned to bare metal shall receive one coat of linseed oil primer conforming to the requirements of Section 711.8 of the Standard Specifications. This coat shall be tinted with a tinting agent, type as recommended by the paint manufacturer and approved by the Engineer.

**Prime Coat:** One complete coat of linseed oil primer shall be applied to the entire structure upon completion of the spot painting. The primer shall conform to the requirements of Section 711.8 of the Standard Specifications. Dry film thickness shall be a minimum of two (2) mils.

**Intermediate Field Coat:** Upon completion of application of the prime coat, the entire structure shall receive a minimum of one complete color undercoat conforming to the requirements of Section 711.10 of the Standard Specifications. Dry film thickness shall be a minimum two (2) mils. The color shall be (C) in accordance with Federal Standard 595, number (C).

**Top Coat-Pigmented Finish Coat:** Upon completion of application of the intermediate coat, the entire structure shall receive a minimum of one complete pigmented finish coat conforming to the requirements of Section 711.11 of the Standard Specifications. Dry film thickness shall be a minimum two (2) mils. The color shall be (C) in accordance with Federal Standard 595, number (C).

#### OPTION: 10B

**Cleaning:** All surfaces to be painted shall be cleaned and prepared in accordance with Section 620.5 of the Standard Specifications to a "white metal" or "near white metal" condition. The paint system shall be as follows:

**Field Prime Coat:** All bare surfaces shall be primed with an organic zinc rich primer conforming to the requirements of SSPC Specification Number 20, Type 2. Dry film thickness of the primer shall be a minimum of four (4) mils.

**Field Intermediate Coat:** The field intermediate coat shall conform to the requirements of Article 711.20.3 of the Standard Specifications.

**Field Top Coat:** The field top coat shall conform to the requirements of Article 711.20.4 of the Standard Specifications. The color shall be (C) in accordance with Federal Standard 595, number (C). Dry film thickness of the total paint system shall be a minimum seven (7) mils.

#### OPTION: 10C

**Environmental Protection:** All portions of the structure shall be cleaned in accordance with the Special Provision for 620-Cleaning and Painting Existing Steel Bridges, Sub-articles 620.1, 620.9, 620.10, 620.11, and 620.12 as contained in these plans.

### STRUCTURE EXCAVATION (FOOTINGS FOUNDED ON PILES) 11

Structure excavation quantities through earth fill shall be measured from the bottom of the footing to the original ground line, 18 inches outside the neat line of the footings. No excavation will be classified as wet or rock excavation.

### PREFORMED ELASTOMERIC JOINT SEALER 12

The preformed elastomeric joint sealer shall conform to the requirements of Section 624 of the Standard Specifications.

### BRIDGE GUARDRAIL 13

The guardrail, buffer end terminal sections, posts and end anchors shall conform to the requirements as set forth by the West Virginia Department of Highways Standard Details Book (Standard Sheets G.R.1 through G.R.7, as applicable) and Standard Bridge Plan Sheet BR-G1. Blocks are required. End anchor galvanized shall be in accordance with Design Directive DD 16.4. All guardrail mounting hardware will be hot-dip galvanized after fabrication. Threads shall be retapped to ensure proper fit. Guardrail posts may be square or beveled.

### STRUCTURAL STEEL 14

All structural steel shall conform to the requirements of ASTM A36 ( $f_s$ =20,000 p.s.i.) unless otherwise noted.

For superstructures utilizing steel grid flooring, structural steel conforming to the requirements of ASTM A588 ( $f_s$ =27,000 p.s.i.) may be substituted for ASTM A36 steel. No painting shall be required for ASTM A588 steel.

#### OPTION: 14A

All ASTM A36 steel shall be blast cleaned and shop primed in accordance with Section 615 of the Standard Specifications.

### STEEL GRID FLOORING (CONCRETE FILLED TYPE) 15

The steel grid flooring shall conform to all applicable requirements of Section 621 of the current Standard Specifications and/or all Special Provisions of the West Virginia Department of Highways. The grid shall conform to all applicable requirements as set forth by the Bridge Grid Flooring Manufacturers Association. Size and type shall be as specified on the plans.

The steel grid flooring shall conform to all requirements of ASTM A36, A572 or A588, type as specified on the plans.

**Cleaning:** All surfaces to be painted shall be cleaned and prepared in accordance with Section 615.6 of the Standard Specifications to a "white metal" or "near white metal" condition. The paint system shall be as follows:

The steel grid flooring and all components shall either be shop painted with an inorganic zinc rich primer meeting Subsection 711.20.2 of the Standard Specifications or hot dipped galvanized meeting requirements of ASTM A123. Type of coating shall be as specified on the plans.

All reinforcing steel shall be number 3 billet steel bars either Grade 40 or 60 in accordance with Subsection 702.1 of the Standard Specifications.

The concrete used to fill the steel grid shall be Class A air entrained. The design stresses for this concrete are  $f'_c$ =3,500 psi,  $f_s$ =1,400 psi and  $n$ =10.

### STEEL GRID FLOORING (OPEN TYPE) 16

The steel grid flooring shall conform to all applicable requirements of Section 621 of the current Standard Specifications and/or all Special Provisions of the West Virginia Department of Highways. The grid shall conform to all applicable requirements as set forth by the Bridge Grid Flooring Manufacturers Association. Size and type shall be as specified on the plans.

The steel grid flooring shall conform to all requirements of ASTM A36, A572 or A588, type as specified on the plans.

**Cleaning:** All surfaces to be painted shall be cleaned and prepared in accordance with Section 615.6 of the Standard Specifications to a "white metal" or "near white metal" condition. The paint system shall be as follows:

The steel grid flooring and all components shall either be shop painted with an inorganic zinc rich primer meeting Subsection 711.20.2 of the Standard Specifications or hot dipped galvanized meeting requirements of ASTM A123. Type of coating shall be as specified on the plans.

### MAINTAINING TRAFFIC 17

Traffic shall be maintained in accordance with Section 636 and Subsection 104.5 of the Standard Specifications.

NOTE SELECTION TABLE

CODE	YES	NO	CODE	YES	NO
1	✓		10B		✓
2		✓	10C		✓
3		✓	11	✓	
4		✓	12		✓
5		✓	13		✓
6		✓	14	✓	
7		✓	14A	✓	
8	✓		15		✓
9		✓	16		✓
9A		✓	17	✓	
9B		✓	18	✓	
9C		✓	19		✓
10		✓			
10A		✓			

☐ These items are for Purchase Order Contract only.

### THE WEST VIRGINIA DEPARTMENT OF TRANSPORTATION DIVISION OF HIGHWAYS-STRUCTURES

CONSTRUCTION PLANS OF  
LAUREL LICK PIPE BRIDGE REPLACEMENT  
ON C.R. 263 (SLS)  
OVER LAUREL LICK  
LEWIS COUNTY

APPROVED: \_\_\_\_\_ DATE: \_\_\_\_\_

DIRECTOR, STRUCTURES DIVISION

WEST VIRGINIA DEPARTMENT OF TRANSPORTATION  
DIVISION OF HIGHWAYS-STRUCTURES  
STANDARD BRIDGE PLANS

GENERAL NOTES  
STANDARD SHEET BR-2A

PREPARED: 11-26-90

REVISED: 5-91

8-93

### GENERAL NOTES

DESIGNED BY:	GFL
DRAWN BY:	DMW
CHECKED BY:	RMW
REVIEWED BY:	WRW
DATE:	11-12
SCALE:	NONE
SHEET NO.:	2 of 12
BRIDGE NUMBER:	21-26/3-0-02 (11096)

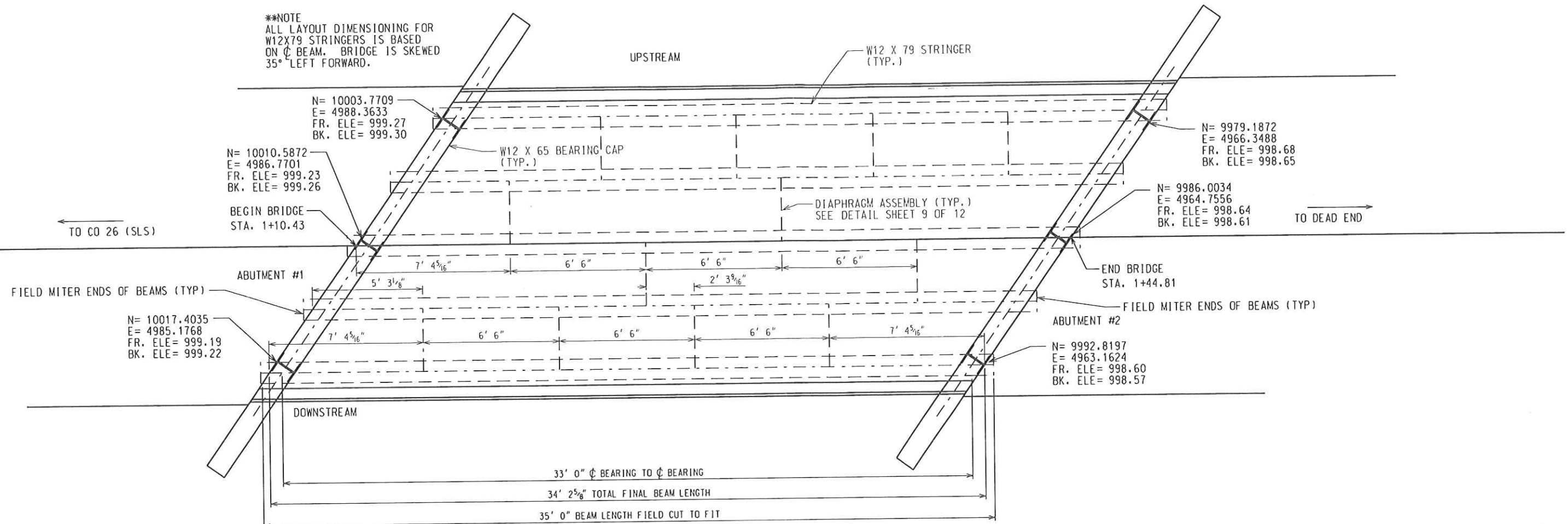
#### CONTROL VALUE

CODE	VALUE
A	NA
B	NA
C	NA
D	NA
E	NA
F	NA
G	NA

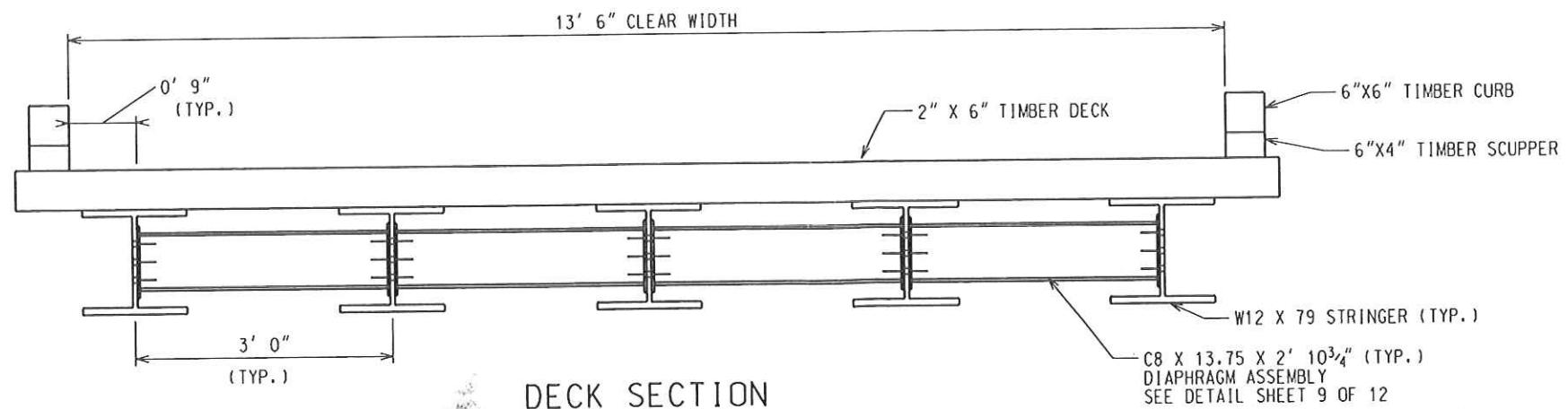


Public Roads Div.	State Dist. No.	State Project No.	Federal Project No.	Fiscal Year	County	Sheet No.	Total Sheets
W. V.	7	S321 26/3 0.00	N/A	2013	LEWIS	8	12

\*\*NOTE  
ALL LAYOUT DIMENSIONING FOR W12X79 STRINGERS IS BASED ON  $\phi$  BEAM. BRIDGE IS SKEWED 35° LEFT FORWARD.



STEEL LAYOUT



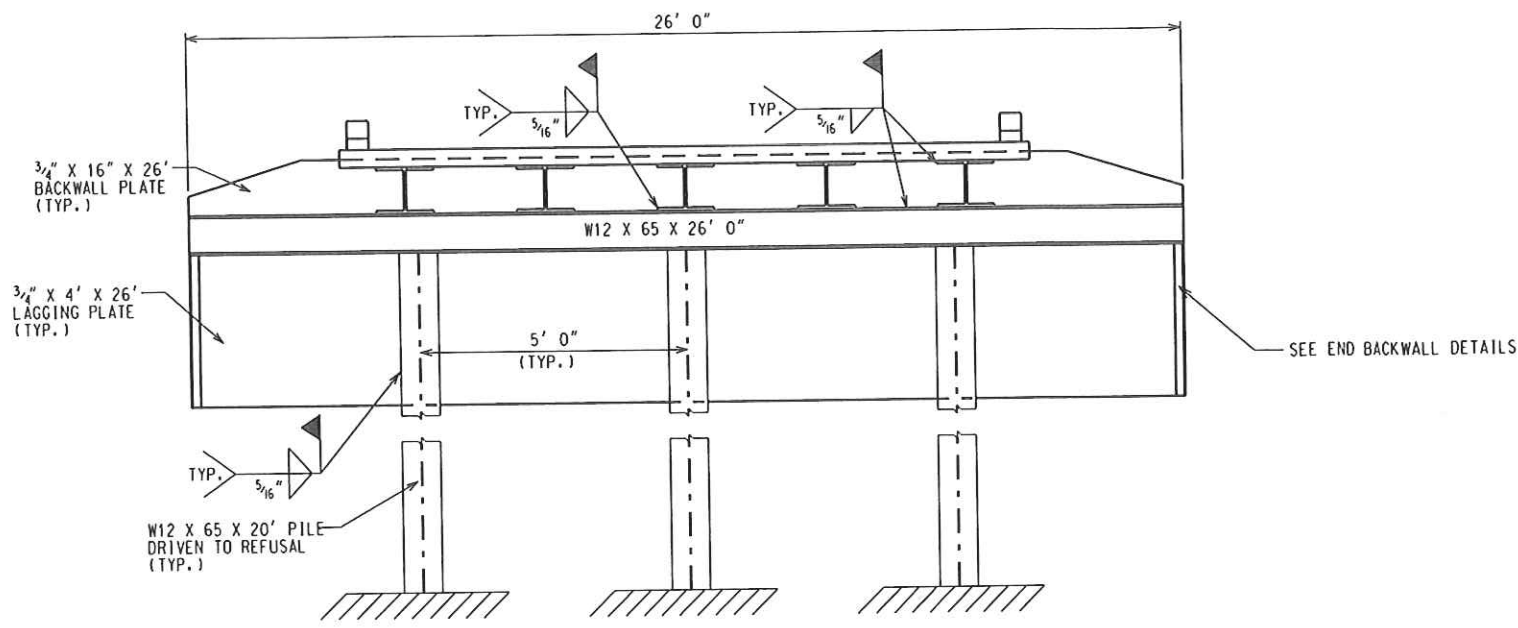
DECK SECTION



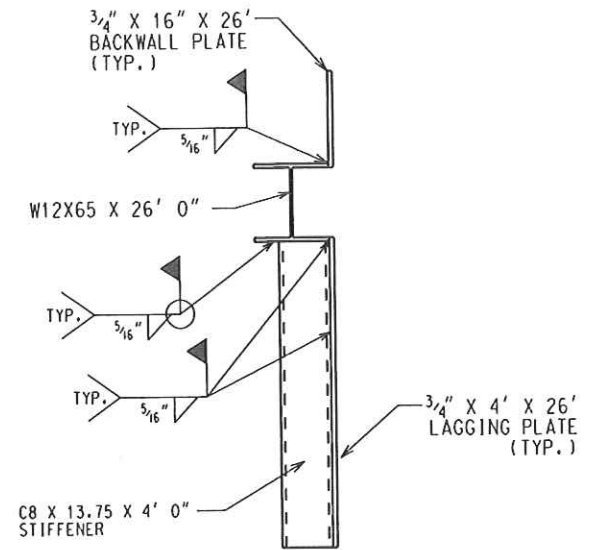
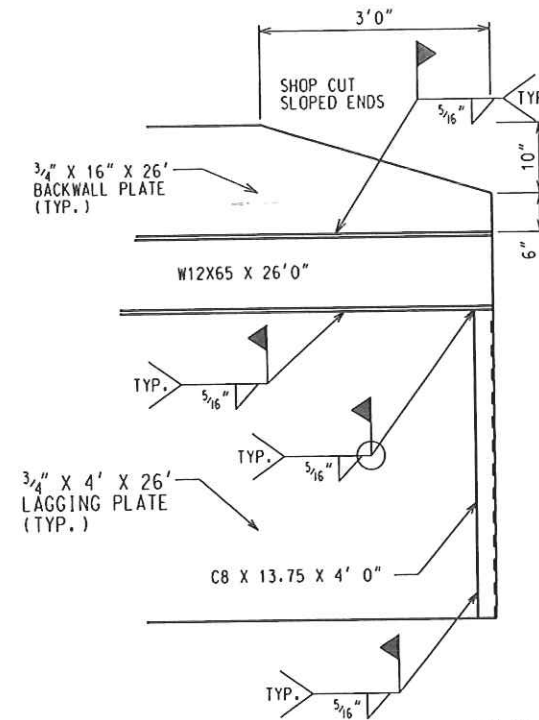
DESIGNED BY:	GFL	8-12				
DRAWN BY:	GFL	8-12				
CHECKED BY:	RMW	10-12				
REVIEWED BY:	WRW	11-12	REVISION NUMBER	SHEET NUMBER	REVISION	DATE BY

THE WEST VIRGINIA DEPARTMENT OF TRANSPORTATION  
DIVISION OF HIGHWAYS  
PROPOSED BRIDGE PLAN VIEW, STEEL LAYOUT & PROPOSED DECK SECTION

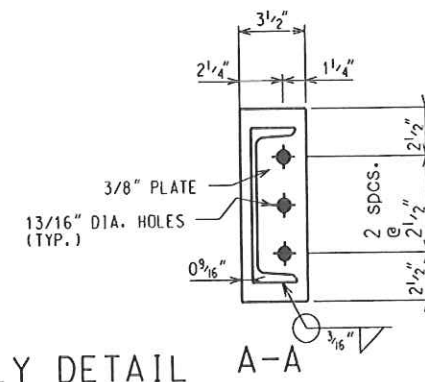
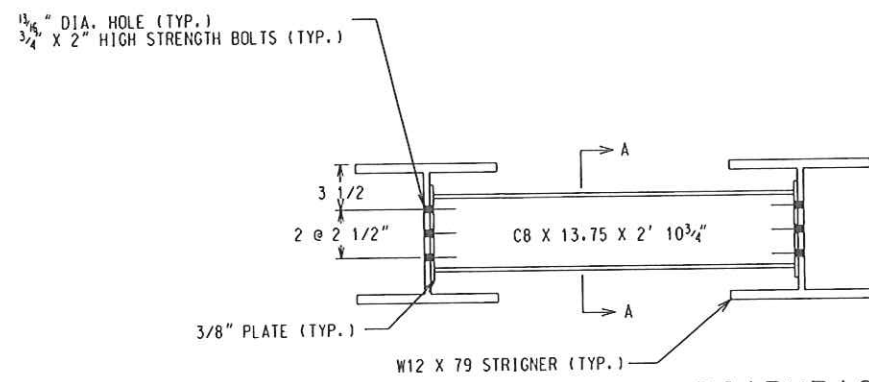
Public Roads Div.	State Dist. No.	State Project No.	Federal Project No.	Fiscal Year	County	Sheet No.	Total Sheets
W. V.	7	S321 26/3 0.00	N/A	2013	LEWIS	9	12



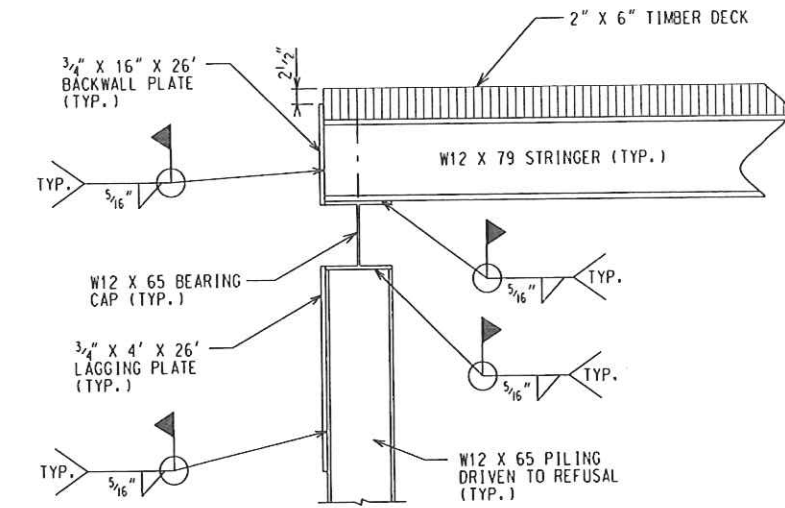
ABUTMENT DETAIL  
NO SCALE



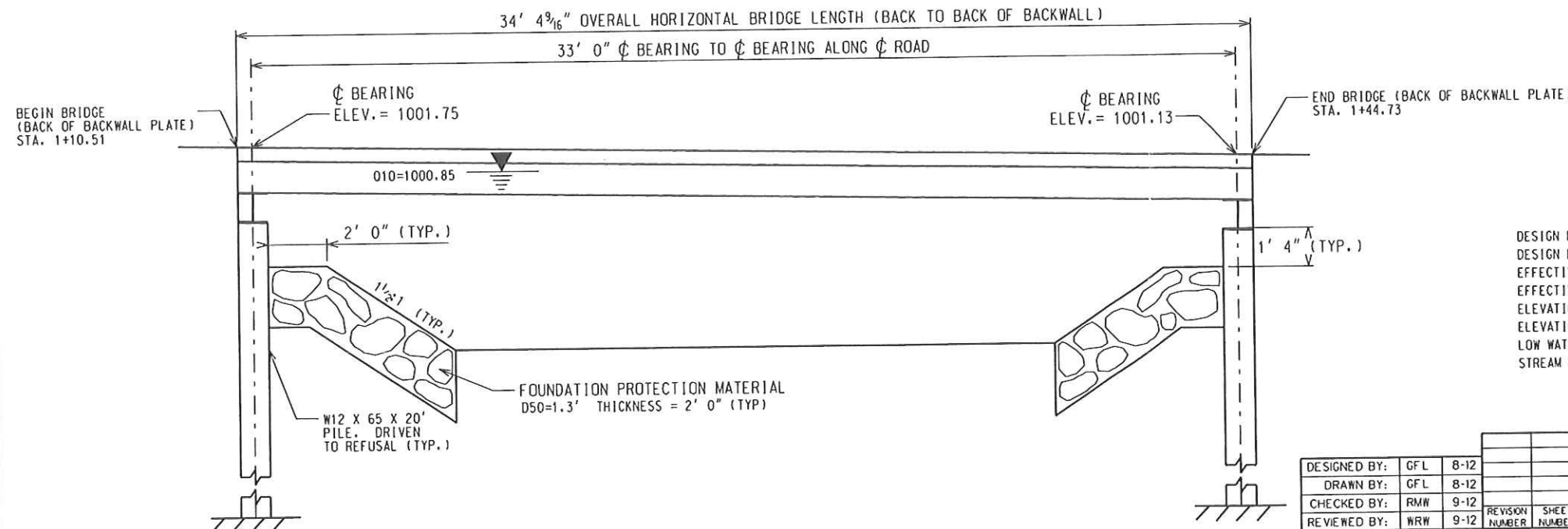
END BACKWALL DETAILS  
NO SCALE



DIAPHRAGM ASSEMBLY DETAIL A-A  
NO SCALE



PROFILE WELD DETAIL  
NO SCALE



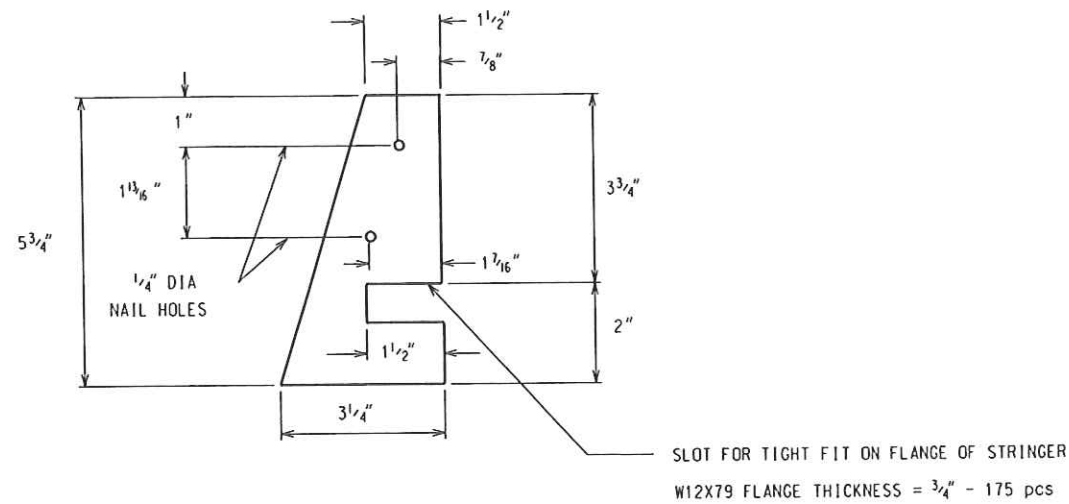
HYDRAULIC DATA

DESIGN FLOOD FREQUENCY:	010
DESIGN DISCHARGE:	742 CFS
EFFECTIVE WATERWAY AREA OF EXISTING STRUCTURE:	116 SF
EFFECTIVE WATERWAY AREA OF NEW STRUCTURE:	195 SF
ELEVATION AT BOTTOM OF EXISTING SUPERSTRUCTURE:	999.49
ELEVATION AT BOTTOM OF NEW SUPERSTRUCTURE:	999.51
LOW WATER ELEVATION:	995.50
STREAM BED ELEVATION:	994.96

DESIGNED BY:	GFL	8-12				
DRAWN BY:	GFL	8-12				
CHECKED BY:	RMW	9-12	REVISION NUMBER	SHEET NUMBER	REVISION	DATE BY
REVIEWED BY:	NRW	9-12				

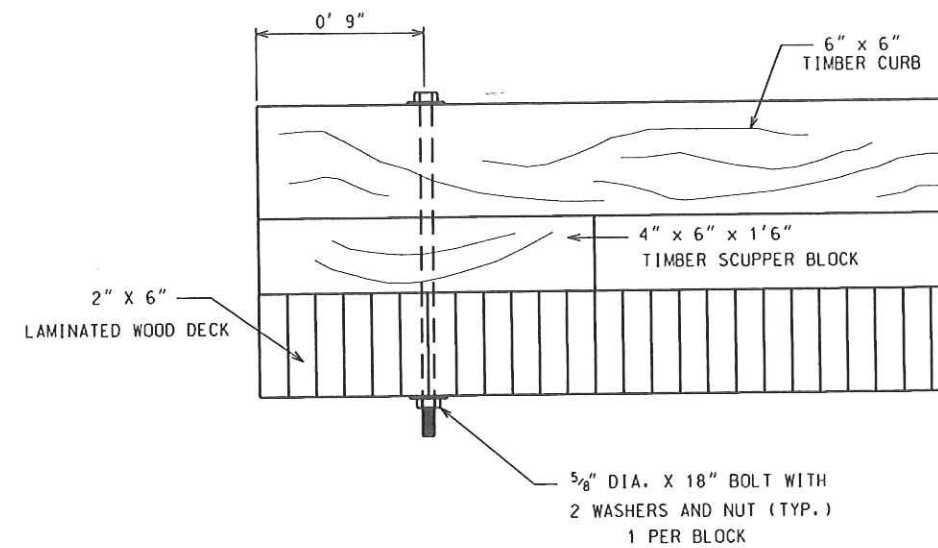
THE WEST VIRGINIA DEPARTMENT OF TRANSPORTATION  
DIVISION OF HIGHWAYS  
PROPOSED BRIDGE PLAN VIEW, STEEL  
LAYOUT & PROPOSED DECK SECTION

Public Roads Div.	State Dist. No.	State Project No.	Federal Project No.	Fiscal Year	County	Sheet No.	Total Sheets
W. V.	7	S321-26/3-0.00	N/A	2013	LEWIS	10	12



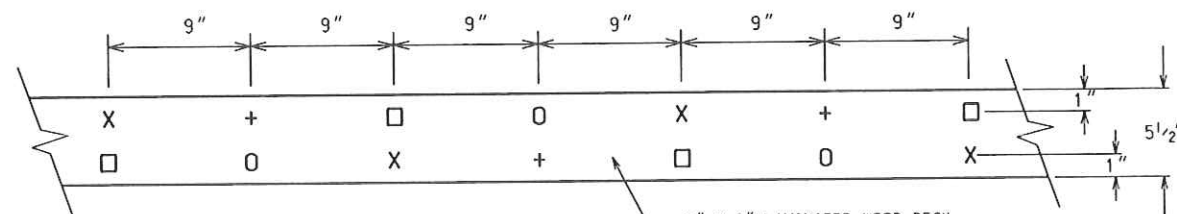
DECK ANCHOR PLATE DETAILS

NO SCALE



CURB END DETAIL

NO SCALE

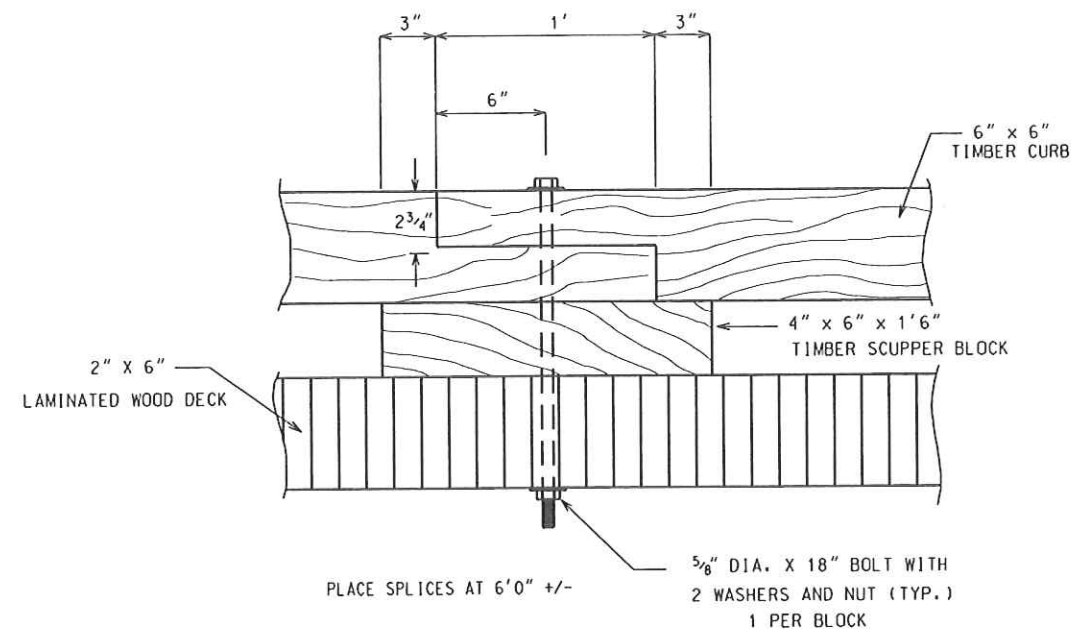


NAIL LOCATION	1ST PIECE OF WOOD	+
"	"	"
"	2ND	"
"	3RD	"
"	4TH	"
"	5TH	"

NOTE: ALL NAILS FOR BRIDGE DECK SHALL BE 20 PENNY WEIGHT.

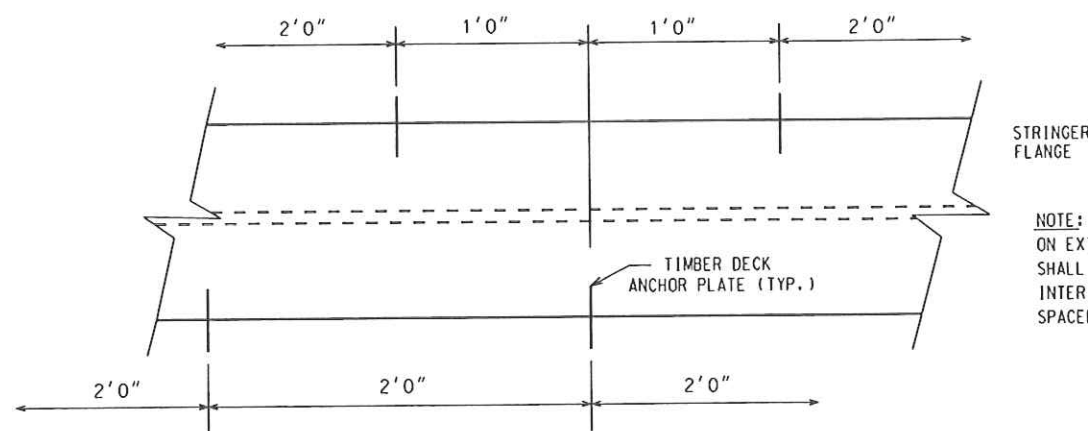
TIMBER DECK NAILING DIAGRAM

NO SCALE



CURB SPLICE DETAIL

NO SCALE



DECK ANCHOR PLATE SPACING DETAIL

(INTERIOR STRINGER)

NO SCALE

STRINGER FLANGE

NOTE: ALL ANCHOR PLATES ON EXTERIOR STRINGERS SHALL BE PLACED ON INTERIOR FLANGE SPACED @ 1'0" c-c.

DESIGNED BY:	GFL	8-12				
DRAWN BY:	GFL	8-12				
CHECKED BY:	RMW	9-12				
REVIEWED BY:	NRW	9-12	REVISION NUMBER	SHEET NUMBER	REVISION	DATE BY

THE WEST VIRGINIA DEPARTMENT OF TRANSPORTATION  
DIVISION OF HIGHWAYS  
DECK NAILING DETAILS & CURB DETAILS