



State of West Virginia  
 Department of Administration  
 Purchasing Division  
 2019 Washington Street East  
 Post Office Box 50130  
 Charleston, WV 25305-0130

**Solicitation**

NUMBER
03120615

PAGE
1

ADDRESS CORRESPONDENCE TO ATTENTION OF:
ALAN CUMMINGS 304-558-2402

RFQ COPY

TYPE NAME/ADDRESS HERE

VENDOR

SHIP TO

DIVISION OF HIGHWAYS  
 JOBSITE  
 SEE SPECIFICATIONS

DATE PRINTED
08/16/2012

BID OPENING DATE: 09/05/2012 BID OPENING TIME 1:30PM

LINE	QUANTITY	UOP	CAT NO	ITEM NUMBER	UNIT PRICE	AMOUNT
0001	1	LS		210-16		
CONCRETE BEAMS, CHANNELS, PRESTRESSED						
<p>THE WEST VIRGINIA STATE PURCHASING DIVISION FOR THE AGENCY, THE WEST VIRGINIA DIVISION OF HIGHWAYS, IS SOLICITING BIDS TO PROVIDE THE AGENCY WITH PRESTRESSED CONCRETE BOX BEAMS AND ACCESSORIES PER THE ATTACHED SPECIFICATIONS.</p>						
***** THIS IS THE END OF RFQ 03120615 ***** TOTAL:						

SIGNATURE		TELEPHONE	DATE
TITLE	FEIN	ADDRESS CHANGES TO BE NOTED ABOVE	

WHEN RESPONDING TO SOLICITATION, INSERT NAME AND ADDRESS IN SPACE ABOVE LABELED 'VENDOR'

**INSTRUCTIONS TO VENDORS SUBMITTING BIDS**

1. **REVIEW DOCUMENTS THOROUGHLY:** The attached documents contain a solicitation for bids. Please read these instructions and all documents attached in their entirety. These instructions provide critical information about requirements that if overlooked could lead to disqualification of a Vendor's bid. All bids must be submitted in accordance with the provisions contained in these instructions and the Solicitation. Failure to do so may result in disqualification of Vendor's bid.
2. **MANDATORY TERMS:** The Solicitation may contain mandatory provisions identified by the use of the words "must," "will," and "shall." Failure to comply with a mandatory term in the Solicitation will result in bid disqualification.
3. **PREBID MEETING:** The item identified below shall apply to this Solicitation.

| A pre-bid meeting will not be held prior to bid opening.

| A NON-MANDATORY PRE-BID meeting will be held at the following place and time:

| A MANDATORY PRE-BID meeting will be held at the following place and time:

All Vendors submitting a bid must attend the mandatory pre-bid meeting. Failure to attend the mandatory pre-bid meeting shall result in disqualification of the Vendor's bid. No one person attending the pre-bid meeting may represent more than one Vendor.

An attendance sheet provided at the pre-bid meeting shall serve as the official document verifying attendance. The State will not accept any other form of proof or documentation to verify attendance. Any person attending the pre-bid meeting on behalf of a Vendor must list on the attendance sheet his or her name and the name of the Vendor he or she is representing. Additionally, the person attending the pre-bid meeting should include the Vendor's E-Mail address, phone number, and Fax number on the attendance sheet. It is the Vendor's responsibility to locate the attendance sheet and provide the required

information. Failure to complete the attendance sheet as required may result in disqualification of Vendor's bid.

All Vendors should arrive prior to the starting time for the pre-bid. Vendors who arrive after the starting time but prior to the end of the pre-bid will be permitted to sign in, but are charged with knowing all matters discussed at the pre-bid.

Questions submitted at least five business days prior to a scheduled pre-bid will be discussed at the pre-bid meeting if possible. Any discussions or answers to questions at the pre-bid meeting are preliminary in nature and are non-binding. Official and binding answers to questions will be published in a written addendum to the Solicitation prior to bid opening.

4. **VENDOR QUESTION DEADLINE:** Vendors may submit questions relating to this Solicitation to the Purchasing Division. Questions must be submitted in writing. All questions must be submitted on or before the date listed below and to the address listed below in order to be considered. A written response will be published in a Solicitation addendum if a response is possible and appropriate. Non-written discussions, conversations, or questions and answers regarding this Solicitation are preliminary in nature and are non-binding.

Question Submission Deadline: 08/31/2012

Submit Questions to: Alan Cummings  
2019 Washington Street, East  
P.O. Box 50130  
Charleston, WV 25305  
Fax: 3045583970  
Email: Alan.W.Cummings@WV.Gov

5. **VERBAL COMMUNICATION:** Any verbal communication between the Vendor and any State personnel is not binding, including that made at the mandatory pre-bid conference. Only information issued in writing and added to the Solicitation by an official written addendum by the Purchasing Division is binding.
6. **BID SUBMISSION:** All bids must be signed and delivered by the Vendor to the Purchasing Division at the address listed below on or before the date and time of the bid opening. Any bid received by the Purchasing Division staff is considered to be in the possession of the Purchasing Division and will not be returned for any reason. The bid delivery address is:

Department of Administration, Purchasing Division  
2019 Washington Street East  
P.O. Box 50130,  
Charleston, WV 25305-0130

The bid should contain the information listed below on the face of the envelope or the bid may not be considered:

SEALED BID

BUYER: \_\_\_\_\_

SOLICITATION NO.: \_\_\_\_\_

BID OPENING DATE: \_\_\_\_\_

BID OPENING TIME: \_\_\_\_\_

FAX NUMBER: \_\_\_\_\_

In the event that Vendor is responding to a request for proposal, the Vendor shall submit one original technical and one original cost proposal plus \_\_\_\_\_ convenience copies of each to the Purchasing Division at the address shown above. Additionally, the Vendor should identify the bid type as either a technical or cost proposal on the face of each bid envelope submitted in response to a request for proposal as follows:

BID TYPE:         Technical  
                        Cost

7. **BID OPENING:** Bids submitted in response to this Solicitation will be opened at the location identified below on the date and time listed below. Delivery of a bid after the bid opening date and time will result in bid disqualification. For purposes of this Solicitation, a bid is considered delivered when time stamped by the official Purchasing Division time clock.

**Bid Opening Date and Time:**                    09/05/2012 - 1:30 P.M.

**Bid Opening Location:**                            Department of Administration, Purchasing Division  
   2019 Washington Street East  
   P.O. Box 50130,  
   Charleston, WV 25305-0130

8. **ADDENDUM ACKNOWLEDGEMENT:** Changes or revisions to this Solicitation will be made by an official written addendum issued by the Purchasing Division. Vendor should acknowledge receipt of all addenda issued with this Solicitation by completing an Addendum Acknowledgment Form, a copy of which is included herewith. Failure to acknowledge addenda may result in bid disqualification. The addendum acknowledgement should be submitted with the bid to expedite document processing.
9. **BID FORMATTING:** Vendor should type or electronically enter the information onto its bid to prevent errors in the evaluation. Failure to type or electronically enter the information may result in bid disqualification.

**GENERAL TERMS AND CONDITIONS:**

1. **CONTRACTUAL AGREEMENT:** Issuance of a Purchase Order signed by the Purchasing Division Director, or his designee, and approved as to form by the Attorney General's office constitutes acceptance of this Contract made by and between the State of West Virginia and the Vendor. Vendor's signature on its bid signifies Vendor's agreement to be bound by and accept the terms and conditions contained in this Contract.
  
2. **DEFINITIONS:** As used in this Solicitation / Contract, the following terms shall have the meanings attributed to them below. Additional definitions may be found in the specifications included with this Solicitation / Contract.
  - 2.1 **"Agency" or "Agencies"** means the agency, board, commission, or other entity of the State of West Virginia that is identified on the first page of the Solicitation or any other public entity seeking to procure goods or services under this Contract.
  
  - 2.2 **"Contract"** means the binding agreement that is entered into between the State and the Vendor to provide the goods and services requested in the Solicitation.
  
  - 2.3 **"Director"** means the Director of the West Virginia Department of Administration, Purchasing Division.
  
  - 2.4 **"Purchasing Division"** means the West Virginia Department of Administration, Purchasing Division.
  
  - 2.5 **"Purchase Order"** means the document signed by the Agency and the Purchasing Division, and approved as to form by the Attorney General, that identifies the Vendor as the successful bidder and Contract holder.
  
  - 2.6 **"Solicitation"** means the official solicitation published by the Purchasing Division and identified by number on the first page thereof.
  
  - 2.7 **"State"** means the State of West Virginia and/or any of its agencies, commissions, boards, etc. as context requires.
  
  - 2.8 **"Vendor" or "Vendors"** means any entity submitting a bid in response to the Solicitation, the entity that has been selected as the lowest responsible bidder, or the entity that has been awarded the Contract as context requires.

3. **CONTRACT TERM; RENEWAL; EXTENSION:** The term of this Contract shall be determined in accordance with the category that has been identified as applicable to this Contract below:

| | **Term Contract**

**Initial Contract Term:** This Contract becomes effective on

and extends for a period of \_\_\_\_\_ year(s).

**Renewal Term:** This Contract may be renewed upon the mutual written consent of the Agency, and the Vendor, with approval of the Purchasing Division and the Attorney General's office (Attorney General approval is as to form only). Any request for renewal must be submitted to the Purchasing Division Director thirty (30) days prior to the expiration date of the initial contract term or appropriate renewal term. A Contract renewal shall be in accordance with the terms and conditions of the original contract. Renewal of this Contract is limited to \_\_\_\_\_ successive one (1) year periods. Automatic renewal of this Contract is prohibited. Notwithstanding the foregoing, Purchasing Division approval is not required on agency delegated or exempt purchases. Attorney General approval may be required for vendor terms and conditions.

**Reasonable Time Extension:** At the sole discretion of the Purchasing Division Director, and with approval from the Attorney General's office (Attorney General approval is as to form only), this Contract may be extended for a reasonable time after the initial Contract term or after any renewal term as may be necessary to obtain a new contract or renew this Contract. Any reasonable time extension shall not exceed twelve (12) months. Vendor may avoid a reasonable time extension by providing the Purchasing Division Director with written notice of Vendor's desire to terminate this Contract 30 days prior to the expiration of the then current term. During any reasonable time extension period, the Vendor may terminate this Contract for any reason upon giving the Purchasing Division Director 30 days written notice. Automatic extension of this Contract is prohibited. Notwithstanding the foregoing, Purchasing Division approval is not required on agency delegated or exempt purchases, but Attorney General approval may be required.

| ✓ | **Fixed Period Contract:** This Contract becomes effective upon Vendor's receipt of the notice to proceed and must be completed within 40 working \_\_\_\_\_ days.

| | **One Time Purchase:** The term of this Contract shall run for one year from the date the Purchase Order is issued or from the date the Purchase Order is issued until all of the goods contracted for have been delivered, whichever is shorter.

| | **Other:** See attached.

4. **NOTICE TO PROCEED:** Vendor shall begin performance of this Contract immediately upon receiving notice to proceed unless otherwise instructed by the Agency. Unless otherwise specified, the fully executed Purchase Order will be considered notice to proceed
5. **QUANTITIES:** The quantities required under this Contract shall be determined in accordance with the category that has been identified as applicable to this Contract below.
- | | **Open End Contract:** Quantities listed in this Solicitation are approximations only, based on estimates supplied by the Agency. It is understood and agreed that the Contract shall cover the quantities actually ordered for delivery during the term of the Contract, whether more or less than the quantities shown.
  - | | **Service:** The scope of the service to be provided will be more clearly defined in the specifications included herewith.
  - | | **Combined Service and Goods:** The scope of the service and deliverable goods to be provided will be more clearly defined in the specifications included herewith.
  - |  | **One Time Purchase:** This Contract is for the purchase of a set quantity of goods that are identified in the specifications included herewith. Once those items have been delivered, no additional goods may be procured under this Contract without an appropriate change order approved by the Vendor, Agency, Purchasing Division, and Attorney General's office.
6. **PRICING:** The pricing set forth herein is firm for the life of the Contract, unless specified elsewhere within this Solicitation/Contract by the State. A Vendor's inclusion of price adjustment provisions in its bid, without an express authorization from the State in the Solicitation to do so, may result in bid disqualification.
7. **EMERGENCY PURCHASES:** The Purchasing Division Director may authorize the Agency to purchase goods or services in the open market that Vendor would otherwise provide under this Contract if those goods or services are for immediate or expedited delivery in an emergency. Emergencies shall include, but are not limited to, delays in transportation or an unanticipated increase in the volume of work. An emergency purchase in the open market, approved by the Purchasing Division Director, shall not constitute a breach of this Contract and shall not entitle the Vendor to any form of compensation or damages. This provision does not excuse the State from fulfilling its obligations under a One Time Purchase contract.
8. **REQUIRED DOCUMENTS:** All of the items checked below must be provided to the Purchasing Division by the Vendor as specified below.
- | | **BID BOND:** All Vendors shall furnish a bid bond in the amount of five percent (5%) of the total amount of the bid protecting the State of West Virginia. The bid bond must be submitted with the bid.

| | **PERFORMANCE BOND:** The apparent successful Vendor shall provide a performance bond in the amount of . The performance bond must be issued and received by the Purchasing Division prior to Contract award. On construction contracts, the performance bond must be 100% of the Contract value.

| | **LABOR/MATERIAL PAYMENT BOND:** The apparent successful Vendor shall provide a labor/material payment bond in the amount of 100% of the Contract value. The labor/material payment bond must be issued and delivered to the Purchasing Division prior to Contract award.

In lieu of the Bid Bond, Performance Bond, and Labor/Material Payment Bond, the Vendor may provide certified checks, cashier's checks, or irrevocable letters of credit. Any certified check, cashier's check, or irrevocable letter of credit provided in lieu of a bond must be of the same amount and delivered on the same schedule as the bond it replaces. A letter of credit submitted in lieu of a performance and labor/material payment bond will only be allowed for projects under \$100,000. Personal or business checks are not acceptable.

| | **MAINTENANCE BOND:** The apparent successful Vendor shall provide a two (2) year maintenance bond covering the roofing system. The maintenance bond must be issued and delivered to the Purchasing Division prior to Contract award.

| | **WORKERS' COMPENSATION INSURANCE:** The apparent successful Vendor shall have appropriate workers' compensation insurance and shall provide proof thereof upon request.

| | **INSURANCE:** The apparent successful Vendor shall furnish proof of the following insurance prior to Contract award:

| | **Commercial General Liability Insurance:**  
or more.

| | **Builders Risk Insurance:** builders risk – all risk insurance in an amount equal to 100% of the amount of the Contract.

| |

| |

| |

| |

| |



The apparent successful Vendor shall also furnish proof of any additional insurance requirements contained in the specifications prior to Contract award regardless of whether or not that insurance requirement is listed above.

- [ ] **LICENSE(S) / CERTIFICATIONS / PERMITS:** In addition to anything required under the Section entitled Licensing, of the General Terms and Conditions, the apparent successful Vendor shall furnish proof of the following licenses, certifications, and/or permits prior to Contract award, in a form acceptable to the Purchasing Division.

[ ]

[ ]

[ ]

[ ]

The apparent successful Vendor shall also furnish proof of any additional licenses or certifications contained in the specifications prior to Contract award regardless of whether or not that requirement is listed above.

9. **LITIGATION BOND:** The Director reserves the right to require any Vendor that files a protest of an award to submit a litigation bond in the amount equal to one percent of the lowest bid submitted or \$5,000, whichever is greater. The entire amount of the bond shall be forfeited if the hearing officer determines that the protest was filed for frivolous or improper purpose, including but not limited to, the purpose of harassing, causing unnecessary delay, or needless expense for the Agency. All litigation bonds shall be made payable to the Purchasing Division. In lieu of a bond, the protester may submit a cashier's check or certified check payable to the Purchasing Division. Cashier's or certified checks will be deposited with and held by the State Treasurer's office. If it is determined that the protest has not been filed for frivolous or improper purpose, the bond or deposit shall be returned in its entirety.

10. **ALTERNATES:** Any model, brand, or specification listed herein establishes the acceptable level of quality only and is not intended to reflect a preference for, or in any way favor, a particular brand or vendor. Vendors may bid alternates to a listed model or brand provided that the alternate is at least equal to the model or brand and complies with the required specifications. The equality of any alternate being bid shall be determined by the State at its sole discretion. Any Vendor bidding an alternate model or brand should clearly identify the alternate items in its bid and should include manufacturer's specifications, industry literature, and/or any other relevant documentation demonstrating the equality of the alternate items. Failure to provide information for alternate items may be grounds for rejection of a Vendor's bid.

11. **EXCEPTIONS AND CLARIFICATIONS:** The Solicitation contains the specifications that shall form the basis of a contractual agreement. Vendor shall clearly mark any exceptions, clarifications, or

other proposed modifications in its bid. Exceptions to, clarifications of, or modifications of a requirement or term and condition of the Solicitation may result in bid disqualification.

- 12. LIQUIDATED DAMAGES:** Vendor shall pay liquidated damages in the amount  
2% of the contract total for delays over 40 working days

This clause shall in no way be considered exclusive and shall not limit the State or Agency's right to pursue any other available remedy.

- 13. ACCEPTANCE/REJECTION:** The State may accept or reject any bid in whole, or in part. Vendor's signature on its bid signifies acceptance of the terms and conditions contained in the Solicitation and Vendor agrees to be bound by the terms of the Contract, as reflected in the Purchase Order, upon receipt.

- 14. REGISTRATION:** Prior to Contract award, the apparent successful Vendor must be properly registered with the West Virginia Purchasing Division and must have paid the \$125 fee if applicable.

- 15. COMMUNICATION LIMITATIONS:** In accordance with West Virginia Code of State Rules §148-1-6.6, communication with the State of West Virginia or any of its employees regarding this Solicitation during the solicitation, bid, evaluation or award periods, except through the Purchasing Division, is strictly prohibited without prior Purchasing Division approval. Purchasing Division approval for such communication is implied for all agency delegated and exempt purchases.

- 16. FUNDING:** This Contract shall continue for the term stated herein, contingent upon funds being appropriated by the Legislature or otherwise being made available. In the event funds are not appropriated or otherwise made available, this Contract becomes void and of no effect beginning on July 1 of the fiscal year for which funding has not been appropriated or otherwise made available.

- 17. PAYMENT:** Payment in advance is prohibited under this Contract. Payment may only be made after the delivery and acceptance of goods or services. The Vendor shall submit invoices, in arrears, to the Agency at the address on the face of the purchase order labeled "Invoice To."

- 18. UNIT PRICE:** Unit prices shall prevail in cases of a discrepancy in the Vendor's bid.

- 19. DELIVERY:** All quotations are considered freight on board destination ("F.O.B. destination") unless alternate shipping terms are clearly identified in the bid. Vendor's listing of shipping terms that contradict the shipping terms expressly required by this Solicitation may result in bid disqualification.

- 20. INTEREST:** Interest attributable to late payment will only be permitted if authorized by the West Virginia Code. Presently, there is no provision in the law for interest on late payments.

- 21. PREFERENCE:** Vendor Preference may only be granted upon written request and only in accordance with the West Virginia Code § 5A-3-37 and the West Virginia Code of State Rules. A Resident Vendor Certification form has been attached hereto to allow Vendor to apply for the preference. Vendor's

failure to submit the Resident Vendor Certification form with its bid will result in denial of Vendor Preference. Vendor Preference does not apply to construction projects.

- 22. SMALL, WOMEN-OWNED, OR MINORITY-OWNED BUSINESSES:** For any solicitations publicly advertised for bid on or after July 1, 2012, in accordance with West Virginia Code §5A-3-37(a)(7) and W. Va. CSR § 148-22-9, any non-resident vendor certified as a small, women-owned, or minority-owned business under W. Va. CSR § 148-22-9 shall be provided the same preference made available to any resident vendor. Any non-resident small, women-owned, or minority-owned business must identify itself as such in writing, must submit that writing to the Purchasing Division with its bid, and must be properly certified under W. Va. CSR § 148-22-9 prior to submission of its bid to receive the preferences made available to resident vendors. Preference for a non-resident small, women-owned, or minority owned business shall be applied in accordance with W. Va. CSR § 148-22-9.
- 23. TAXES:** The Vendor shall pay any applicable sales, use, personal property or any other taxes arising out of this Contract and the transactions contemplated thereby. The State of West Virginia is exempt from federal and state taxes and will not pay or reimburse such taxes.
- 24. CANCELLATION:** The Purchasing Division Director reserves the right to cancel this Contract immediately upon written notice to the vendor if the materials or workmanship supplied do not conform to the specifications contained in the Contract. The Purchasing Division Director may cancel any purchase or Contract upon 30 days written notice to the Vendor in accordance with West Virginia Code of State Rules § 148-1-7.16.2.
- 25. WAIVER OF MINOR IRREGULARITIES:** The Director reserves the right to waive minor irregularities in bids or specifications in accordance with West Virginia Code of State Rules § 148-1-4.6.
- 26. TIME:** Time is of the essence with regard to all matters of time and performance in this Contract.
- 27. APPLICABLE LAW:** This Contract is governed by and interpreted under West Virginia law without giving effect to its choice of law principles. Any information provided in specification manuals, or any other source, verbal or written, which contradicts or violates the West Virginia Constitution, West Virginia Code or West Virginia Code of State Rules is void and of no effect.
- 28. COMPLIANCE:** Vendor shall comply with all applicable federal, state, and local laws, regulations and ordinances. By submitting a bid, Vendors acknowledge that they have reviewed, understand, and will comply with all applicable law.
- 29. PREVAILING WAGE:** On any contract for the construction of a public improvement, Vendor and any subcontractors utilized by Vendor shall pay a rate or rates of wages which shall not be less than the fair minimum rate or rates of wages (prevailing wage), as established by the West Virginia Division of Labor under West Virginia Code §§ 21-5A-1 et seq. and available at <http://www.sos.wv.gov/administrative-law/wagerates/Pages/default.aspx>. Vendor shall be responsible for ensuring compliance with prevailing wage requirements and determining when prevailing wage

requirements are applicable. The required contract provisions contained in West Virginia Code of State Rules § 42-7-3 are specifically incorporated herein by reference.

- 30. ARBITRATION:** Any references made to arbitration contained in this Contract, Vendor's bid, or in any American Institute of Architects documents pertaining to this Contract are hereby deleted, void, and of no effect.
- 31. MODIFICATIONS:** This writing is the parties' final expression of intent. Notwithstanding anything contained in this Contract to the contrary, no modification of this Contract shall be binding without mutual written consent of the Agency, and the Vendor, with approval of the Purchasing Division and the Attorney General's office (Attorney General approval is as to form only). **No Change shall be implemented by the Vendor until such time as the Vendor receives an approved written change order from the Purchasing Division.**
- 32. WAIVER:** The failure of either party to insist upon a strict performance of any of the terms or provision of this Contract, or to exercise any option, right, or remedy herein contained, shall not be construed as a waiver or a relinquishment for the future of such term, provision, option, right, or remedy, but the same shall continue in full force and effect. Any waiver must be expressly stated in writing and signed by the waiving party.
- 33. SUBSEQUENT FORMS:** The terms and conditions contained in this Contract shall supersede any and all subsequent terms and conditions which may appear on any form documents submitted by Vendor to the Agency or Purchasing Division such as price lists, order forms, invoices, sales agreements, or maintenance agreements, and includes internet websites or other electronic documents. Acceptance or use of Vendor's forms does not constitute acceptance of the terms and conditions contained thereon.
- 34. ASSIGNMENT:** Neither this Contract nor any monies due, or to become due hereunder, may be assigned by the Vendor without the express written consent of the Agency, the Purchasing Division, the Attorney General's office (as to form only), and any other government agency or office that may be required to approve such assignments. Notwithstanding the foregoing, Purchasing Division approval may or may not be required on certain agency delegated or exempt purchases.
- 35. WARRANTY:** The Vendor expressly warrants that the goods and/or services covered by this Contract will: (a) conform to the specifications, drawings, samples, or other description furnished or specified by the Agency; (b) be merchantable and fit for the purpose intended; and (c) be free from defect in material and workmanship.
- 36. STATE EMPLOYEES:** State employees are not permitted to utilize this Contract for personal use and the Vendor is prohibited from permitting or facilitating the same.
- 37. BANKRUPTCY:** In the event the Vendor files for bankruptcy protection, the State of West Virginia may deem this Contract null and void, and terminate this Contract without notice.

- 38. HIPAA BUSINESS ASSOCIATE ADDENDUM:** The West Virginia State Government HIPAA Business Associate Addendum (BAA), approved by the Attorney General, is available online at <http://www.state.wv.us/admin/purchase/vrc/hipaa.html> and is hereby made part of the agreement provided that the Agency meets the definition of a Covered entity (45 CFR §160.103) and will be disclosing Protected Health Information (45 CFR §160.103) to the Vendor.
- 39. CONFIDENTIALITY:** The Vendor agrees that it will not disclose to anyone, directly or indirectly, any such personally identifiable information or other confidential information gained from the Agency, unless the individual who is the subject of the information consents to the disclosure in writing or the disclosure is made pursuant to the Agency's policies, procedures, and rules. Vendor further agrees to comply with the Confidentiality Policies and Information Security Accountability Requirements, set forth in <http://www.state.wv.us/admin/purchase/privacy/default.html>.
- 40. DISCLOSURE:** Vendor's response to the Solicitation and the resulting Contract are considered public documents and will be disclosed to the public in accordance with the laws, rules, and policies governing the West Virginia Purchasing Division. Those laws include, but are not limited to, the Freedom of Information Act found in West Virginia Code § 29B-1-1 et seq.

If a Vendor considers any part of its bid to be exempt from public disclosure, Vendor must so indicate by specifically identifying the exempt information, identifying the exemption that applies, providing a detailed justification for the exemption, segregating the exempt information from the general bid information, and submitting the exempt information as part of its bid but in a segregated and clearly identifiable format. Failure to comply with the foregoing requirements will result in public disclosure of the Vendor's bid without further notice. A Vendor's act of marking all or nearly all of its bid as exempt is not sufficient to avoid disclosure and WILL NOT BE HONORED. Vendor's act of marking a bid or any part thereof as "confidential" or "proprietary" is not sufficient to avoid disclosure and WILL NOT BE HONORED. In addition, a legend or other statement indicating that all or substantially all of the bid is exempt from disclosure is not sufficient to avoid disclosure and WILL NOT BE HONORED. Vendor will be required to defend any claimed exemption for nondisclosure in the event of an administrative or judicial challenge to the State's nondisclosure. Vendor must indemnify the State for any costs incurred related to any exemptions claimed by Vendor. Any questions regarding the applicability of the various public records laws should be addressed to your own legal counsel prior to bid submission.

- 41. LICENSING:** In accordance with West Virginia Code of State Rules §148-1-6.1.7, Vendor must be licensed and in good standing in accordance with any and all state and local laws and requirements by any state or local agency of West Virginia, including, but not limited to, the West Virginia Secretary of State's Office, the West Virginia Tax Department, West Virginia Insurance Commission, or any other state agency or political subdivision. Upon request, the Vendor must provide all necessary releases to obtain information to enable the Purchasing Division Director or the Agency to verify that the Vendor is licensed and in good standing with the above entities.

- 42. ANTITRUST:** In submitting a bid to, signing a contract with, or accepting a Purchase Order from any agency of the State of West Virginia, the Vendor agrees to convey, sell, assign, or transfer to the State of West Virginia all rights, title, and interest in and to all causes of action it may now or hereafter acquire under the antitrust laws of the United States and the State of West Virginia for price fixing and/or unreasonable restraints of trade relating to the particular commodities or services purchased or acquired by the State of West Virginia. Such assignment shall be made and become effective at the time the purchasing agency tenders the initial payment to Vendor.
- 43. VENDOR CERTIFICATIONS:** By signing its bid or entering into this Contract, Vendor certifies (1) that its bid was made without prior understanding, agreement, or connection with any corporation, firm, limited liability company, partnership, person or entity submitting a bid for the same material, supplies, equipment or services; (2) that its bid is in all respects fair and without collusion or fraud; (3) that this Contract is accepted or entered into without any prior understanding, agreement, or connection to any other entity that could be considered a violation of law; and (4) that it has reviewed this RFQ in its entirety; understands the requirements, terms and conditions, and other information contained herein. Vendor's signature on its bid also affirms that neither it nor its representatives have any interest, nor shall acquire any interest, direct or indirect, which would compromise the performance of its services hereunder. Any such interests shall be promptly presented in detail to the Agency.

The individual signing this bid on behalf of Vendor certifies that he or she is authorized by the Vendor to execute this bid or any documents related thereto on Vendor's behalf; that he or she is authorized to bind the Vendor in a contractual relationship; and that, to the best of his or her knowledge, the Vendor has properly registered with any State agency that may require registration.

- 44. PURCHASING CARD ACCEPTANCE:** The State of West Virginia currently utilizes a Purchasing Card program, administered under contract by a banking institution, to process payment for goods and services. The Vendor must accept the State of West Virginia's Purchasing Card for payment of all orders under this Contract unless the box below is checked.
- | Vendor is not required to accept the State of West Virginia's Purchasing Card as payment for all goods and services.

- 45. VENDOR RELATIONSHIP:** The relationship of the Vendor to the State shall be that of an independent contractor and no principal-agent relationship or employer-employee relationship is contemplated or created by this Contract. The Vendor as an independent contractor is solely liable for the acts and omissions of its employees and agents. Vendor shall be responsible for selecting, supervising, and compensating any and all individuals employed pursuant to the terms of this Solicitation and resulting contract. Neither the Vendor, nor any employees or subcontractors of the Vendor, shall be deemed to be employees of the State for any purpose whatsoever. Vendor shall be exclusively responsible for payment of employees and contractors for all wages and salaries, taxes, withholding payments, penalties, fees, fringe benefits, professional liability insurance premiums, contributions to insurance and pension, or other deferred compensation plans, including but not limited to, Workers' Compensation and Social Security obligations, licensing fees, *etc.* and the filing of all necessary documents, forms and returns pertinent to all of the foregoing. Vendor shall hold harmless the

State, and shall provide the State and Agency with a defense against any and all claims including, but not limited to, the foregoing payments, withholdings, contributions, taxes, Social Security taxes, and employer income tax returns.

- 46. INDEMNIFICATION:** The Vendor agrees to indemnify, defend, and hold harmless the State and the Agency, their officers, and employees from and against: (1) Any claims or losses for services rendered by any subcontractor, person, or firm performing or supplying services, materials, or supplies in connection with the performance of the Contract; (2) Any claims or losses resulting to any person or entity injured or damaged by the Vendor, its officers, employees, or subcontractors by the publication, translation, reproduction, delivery, performance, use, or disposition of any data used under the Contract in a manner not authorized by the Contract, or by Federal or State statutes or regulations; and (3) Any failure of the Vendor, its officers, employees, or subcontractors to observe State and Federal laws including, but not limited to, labor and wage and hour laws.
- 47. PURCHASING AFFIDAVIT:** In accordance with West Virginia Code § 5A-3-10a, all Vendors are required to sign, notarize, and submit the Purchasing Affidavit stating that neither the Vendor nor a related party owe a debt to the State in excess of \$1,000. The affidavit must be submitted prior to award, but should be submitted with the Vendor's bid. A copy of the Purchasing Affidavit is included herewith.
- 48. ADDITIONAL AGENCY AND LOCAL GOVERNMENT USE:** This Contract may be utilized by and extends to other agencies, spending units, and political subdivisions of the State of West Virginia; county, municipal, and other local government bodies; and school districts ("Other Government Entities"). This Contract shall be extended to the aforementioned Other Government Entities on the same prices, terms, and conditions as those offered and agreed to in this Contract. If the Vendor does not wish to extend the prices, terms, and conditions of its bid and subsequent contract to the Other Government Entities, the Vendor must clearly indicate such refusal in its bid. A refusal to extend this Contract to the Other Government Entities shall not impact or influence the award of this Contract in any manner.
- 49. CONFLICT OF INTEREST:** Vendor, its officers or members or employees, shall not presently have or acquire any interest, direct or indirect, which would conflict with or compromise the performance of its obligations hereunder. Vendor shall periodically inquire of its officers, members and employees to ensure that a conflict of interest does not arise. Any conflict of interest discovered shall be promptly presented in detail to the Agency.
- 50. REPORTS:** Vendor shall provide the Agency and/or the Purchasing Division with the following reports identified by a checked box below:
- [ ] Such reports as the Agency and/or the Purchasing Division may request. Requested reports may include, but are not limited to, quantities purchased, agencies utilizing the contract, total contract expenditures by agency, etc.

- | | Quarterly reports detailing the total quantity of purchases in units and dollars, along with a listing of purchases by agency. Quarterly reports should be delivered to the Purchasing Division via email at [purchasing.requisitions@wv.gov](mailto:purchasing.requisitions@wv.gov).

**51. BACKGROUND CHECK:** In accordance with W. Va. Code § 15-2D-3, the Director of the Division of Protective Services shall require any service provider whose employees are regularly employed on the grounds or in the buildings of the Capitol complex or who have access to sensitive or critical information to submit to a fingerprint-based state and federal background inquiry through the state repository.

After the contract for such services has been approved, but before any such employees are permitted to be on the grounds or in the buildings of the Capitol complex or have access to sensitive or critical information, the service provider shall submit a list of all persons who will be physically present and working at the Capitol complex to the Director of the Division of Protective Services for purposes of verifying compliance with this provision.

The State reserves the right to prohibit a service provider's employees from accessing sensitive or critical information or to be present at the Capitol complex based upon results addressed from a criminal background check.

**52. PREFERENCE FOR USE OF DOMESTIC STEEL PRODUCTS:** Except when authorized by the Director of the Purchasing Division pursuant to W. Va. Code § 5A-3-56, no contractor may use or supply steel products for a State Contract Project other than those steel products made in the United States. A contractor who uses steel products in violation of this section may be subject to civil penalties pursuant to W. Va. Code § 5A-3-56. As used in this section:

- a. "State Contract Project" means any erection or construction of, or any addition to, alteration of or other improvement to any building or structure, including, but not limited to, roads or highways, or the installation of any heating or cooling or ventilating plants or other equipment, or the supply of and materials for such projects, pursuant to a contract with the State of West Virginia for which bids were solicited on or after June 6, 2001.
- b. "Steel Products" means products rolled, formed, shaped, drawn, extruded, forged, cast, fabricated or otherwise similarly processed, or processed by a combination of two or more or such operations, from steel made by the open heath, basic oxygen, electric furnace, Bessemer or other steel making process.

The Purchasing Division Director may, in writing, authorize the use of foreign steel products if:

- a. The cost for each contract item used does not exceed one tenth of one percent (.1%) of the total contract cost or two thousand five hundred dollars (\$2,500.00), whichever is greater. For the purposes of this section, the cost is the value of the steel product as delivered to the project; or



- b. The Director of the Purchasing Division determines that specified steel materials are not produced in the United States in sufficient quantity or otherwise are not reasonably available to meet contract requirements.

**53. PREFERENCE FOR USE OF DOMESTIC ALUMINUM, GLASS, AND STEEL:** In Accordance with W. Va. Code § 5-19-1 et seq., and W. Va. CSR § 148-10-1 et seq., for every contract or subcontract, subject to the limitations contained herein, for the construction, reconstruction, alteration, repair, improvement or maintenance of public works or for the purchase of any item of machinery or equipment to be used at sites of public works, only domestic aluminum, glass or steel products shall be supplied unless the spending officer determines, in writing, after the receipt of offers or bids, (1) that the cost of domestic aluminum, glass or steel products is unreasonable or inconsistent with the public interest of the State of West Virginia, (2) that domestic aluminum, glass or steel products are not produced in sufficient quantities to meet the contract requirements, or (3) the available domestic aluminum, glass, or steel do not meet the contract specifications. This provision only applies to public works contracts awarded in an amount more than fifty thousand dollars (\$50,000) or public works contracts that require more than ten thousand pounds of steel products.

The cost of domestic aluminum, glass, or steel products may be unreasonable if the cost is more than twenty percent (20%) of the bid or offered price for foreign made aluminum, glass, or steel products. If the domestic aluminum, glass or steel products to be supplied or produced in a "substantial labor surplus area", as defined by the United States Department of Labor, the cost of domestic aluminum, glass, or steel products may be unreasonable if the cost is more than thirty percent (30%) of the bid or offered price for foreign made aluminum, glass, or steel products.

This preference shall be applied to an item of machinery or equipment, as indicated above, when the item is a single unit of equipment or machinery manufactured primarily of aluminum, glass or steel, is part of a public works contract and has the sole purpose or of being a permanent part of a single public works project. This provision does not apply to equipment or machinery purchased by a spending unit for use by that spending unit and not as part of a single public works project.

All bids and offers including domestic aluminum, glass or steel products that exceed bid or offer prices including foreign aluminum, glass or steel products after application of the preferences provided in this provision may be reduced to a price equal to or lower than the lowest bid or offer price for foreign aluminum, glass or steel products plus the applicable preference. If the reduced bid or offer prices are made in writing and supersede the prior bid or offer prices, all bids or offers, including the reduced bid or offer prices, will be reevaluated in accordance with this rule.

**ADDITIONAL TERMS AND CONDITIONS (Construction Contracts Only)**

1. **CONTRACTOR'S LICENSE:** West Virginia Code § 21-11-2 requires that all persons desiring to perform contracting work in this state be licensed. The West Virginia Contractors Licensing Board is empowered to issue the contractor's license. Applications for a contractor's license may be made by contacting the West Virginia Division of Labor.

West Virginia Code § 21-11-11 requires any prospective Vendor to include the contractor's license number on its bid. Failure to include a contractor's license number on the bid shall result in Vendor's bid being disqualified. Vendors should include a contractor's license number in the space provided below.

**Contractor's Name:** \_\_\_\_\_

**Contractor's License No.** \_\_\_\_\_

The apparent successful Vendor must furnish a copy of its contractor's license prior to the issuance of a purchase order/contract.

2. **DRUG-FREE WORKPLACE:** W. Va. Code § 21-1D-5 provides that any solicitation for a public improvement contract requires each Vendor that submits a bid for the work to submit at the same time an affidavit that the Vendor has a written plan for a drug-free workplace policy. To comply with this law, Vendor must either complete the enclosed drug-free workplace affidavit and submit the same with its bid or complete a similar affidavit that fulfills all of the requirements of the applicable code. Failure to submit the signed and notarized drug-free workplace affidavit, or a similar affidavit that fully complies with the requirements of the applicable code, with the bid shall result in disqualification of Vendor's bid.
3. **AIA DOCUMENTS:** All construction contracts that will be completed in conjunction with architectural services procured under Chapter 5G of the West Virginia Code will be governed by the AIA A101-2007 and A201-2007 or the A107-2007 documents, as amended by the Supplementary Conditions for the State of West Virginia, in addition to the terms and conditions contained herein.
4. **SUBCONTRACTOR LIST SUBMISSION:** In accordance with W. Va. Code § 5-22-1, The apparent low bidder on a contract for the construction, alteration, decoration, painting or improvement of a new or existing building or structure valued at more than \$500,000.00 shall submit a list of all subcontractors who will perform more than \$25,000.00 of work on the project including labor and materials. This provision shall not apply to any other construction projects, such as highway, mine reclamation, water or sewer projects.

c. **Required Information.** The subcontractor list shall contain the following information:

- i. Bidder's name
  - ii. Name of each subcontractor
  - iii. License numbers as required by W. Va. Code § 21-11-1 et. seq.
  - iv. Notation that no subcontractors will be used if the bidder will perform the work
- d. **Submission.** The completed subcontractor list shall be provided to the Purchasing Division within one business day of the opening of bids for review. Failure to submit the subcontractor list within one business day after the deadline for submitting bids shall result in disqualification of the bid.
- e. **Substitution of Subcontractor.** Written approval must be obtained from the Purchasing Division before any subcontractor substitution is permitted. Substitutions are not permitted unless:
- i. The subcontractor listed in the original bid has filed for bankruptcy;
  - ii. The subcontractor in the original bid has been debarred or suspended; or
  - iii. The contractor certifies in writing that the subcontractor listed in the original bill fails, is unable, or refuses to perform his subcontract.
5. **GREEN BUILDINGS MINIMUM ENERGY STANDARDS:** In accordance with § 22-29-4, all new building construction projects of public agencies that have not entered the schematic design phase prior to July 1, 2012, or any building construction project receiving state grant funds and appropriations, including public schools, that have not entered the schematic design phase prior to July 1, 2012, shall be designed and constructed complying with the ICC International Energy Conservation Code, adopted by the State Fire Commission, and the ANSI/ASHRAE/IESNA Standard 90.1-2007: *Provided*, That if any construction project has a commitment of federal funds to pay for a portion of such project, this provision shall only apply to the extent such standards are consistent with the federal standards.

**ADDITIONAL TERMS AND CONDITIONS (Architectural and Engineering Contracts Only)**

1. **PLAN AND DRAWING DISTRIBUTION:** All plans and drawings must be completed and available for distribution at least five business days prior to a scheduled pre-bid meeting for the construction or other work related to the plans and drawings.
2. **PROJECT ADDENDA REQUIREMENTS:** The Architect/Engineer and/or Agency shall be required to abide by the following schedule in issuing construction project addenda:
  - a. The Architect/Engineer shall prepare any addendum materials for which it is responsible, and a list of all vendors that have obtained drawings and specifications for the project. The Architect/Engineer shall then send a copy of the addendum materials and the list of vendors to the State Agency for which the contract is issued to allow the Agency to make any necessary modifications. The addendum and list shall then be forwarded to the Purchasing Division buyer by the Agency. The Purchasing Division buyer shall send the addendum to all interested vendors and, if necessary, extend the bid opening date. Any addendum should be received by the Purchasing Division at least fourteen (14) days prior to the bid opening date.
3. **PRE-BID MEETING RESPONSIBILITIES:** The Architect/Engineer shall be available to attend any pre-bid meeting for the construction or other work resulting from the plans, drawings, or specifications prepared by the Architect/Engineer.
4. **AIA DOCUMENTS:** Contracts for architectural and engineering services will be governed by the AIA document B101-2007, as amended by the Supplementary Conditions for the State of West Virginia, in addition to the terms and conditions contained herein when procured under Chapter 5G of the West Virginia Code.
5. **GREEN BUILDINGS MINIMUM ENERGY STANDARDS:** In accordance with West Virginia Code § 22-29-4, all new building construction projects of public agencies that have not entered the schematic design phase prior to July 1, 2012, or any building construction project receiving state grant funds and appropriations, including public schools, that have not entered the schematic design phase prior to July 1, 2012, shall be designed and constructed complying with the ICC International Energy Conservation Code, adopted by the State Fire Commission, and the ANSI/ASHRAE/IESNA Standard 90.1-2007: *Provided*, That if any construction project has a commitment of federal funds to pay for a portion of such project, this provision shall only apply to the extent such standards are consistent with the federal standards.

**CERTIFICATION AND SIGNATURE PAGE**

By signing below, I certify that I have reviewed this Solicitation in its entirety; understand the requirements, terms and conditions, and other information contained herein; that I am submitting this bid or proposal for review and consideration; that I am authorized by the bidder to execute this bid or any documents related thereto on bidder's behalf; that I am authorized to bind the bidder in a contractual relationship; and that to the best of my knowledge, the bidder has properly registered with any State agency that may require registration.

---

(Company)

---

(Authorized Signature)

---

(Representative Name, Title)

---

(Phone Number)

(Fax Number)

---

(Date)

**ADDENDUM ACKNOWLEDGEMENT FORM**  
**SOLICITATION NO.: 03120615**

**Instructions:** Please acknowledge receipt of all addenda issued with this solicitation by completing this addendum acknowledgment form. Check the box next to each addendum received and sign below. Failure to acknowledge addenda may result in bid disqualification.

**Acknowledgment:** I hereby acknowledge receipt of the following addenda and have made the necessary revisions to my proposal, plans and/or specification, etc.

**Addendum Numbers Received:**

(Check the box next to each addendum received)

- |   |  |
|---|--|
| <input type="checkbox"/> Addendum No. 1 | <input type="checkbox"/> Addendum No. 6  |
| <input type="checkbox"/> Addendum No. 2 | <input type="checkbox"/> Addendum No. 7  |
| <input type="checkbox"/> Addendum No. 3 | <input type="checkbox"/> Addendum No. 8  |
| <input type="checkbox"/> Addendum No. 4 | <input type="checkbox"/> Addendum No. 9  |
| <input type="checkbox"/> Addendum No. 5 | <input type="checkbox"/> Addendum No. 10 |

I understand that failure to confirm the receipt of addenda may be cause for rejection of this bid. I further understand that any verbal representation made or assumed to be made during any oral discussion held between Vendor's representatives and any state personnel is not binding. Only the information issued in writing and added to the specifications by an official addendum is binding.

\_\_\_\_\_  
Company

\_\_\_\_\_  
Authorized Signature

\_\_\_\_\_  
Date

NOTE: This addendum acknowledgement should be submitted with the bid to expedite document processing.

REQUEST FOR QUOTATION  
[03120615] [Prestressed Concrete Box Beams]

---

**SPECIFICATIONS**

- 1. PURPOSE AND SCOPE:** The West Virginia Purchasing Division is soliciting bids on behalf of WVDOH District 3 Bridge Department to establish a contract for the one time purchase of prestressed concrete box beams and accessories for Little Trace Fork Bridge Project No. S318-14/1-1.19.
- 2. DEFINITIONS:** The terms listed below shall have the meanings assigned to them below. Additional definitions can be found in section 2 of the General Terms and Conditions.
  - 2.1 “Desired Item”** means prestressed concrete box beams and accessories.
  - 2.2 “Bid Evaluation Page”** means the page upon which Vendor should list its proposed price for the Desired Items in the manner requested by thereon. The Desired Item is either included on the last page of this RFQ or attached hereto as Exhibit A.
  - 2.3 “RFQ”** means the official RFQ published by the Purchasing Division and identified as 03120615.
- 3. GENERAL REQUIREMENTS:**
  - 3.1 Mandatory Desired Item Requirements:** Desired Item must meet or exceed the mandatory requirements listed below.
    - 3.1.1 Prestressed Concrete Box Beams**
      - 3.1.1.1** Prestressed concrete box beams must be in accordance with Section 603 of the WVDOH Standard Specifications for Roads and Bridges 2010 and the current Supplemental Specifications.
      - 3.1.1.2** Prestressed concrete box beams must include all accessories as listed in the attached bid evaluation page.
- 4. CONTRACT AWARD:**
  - 4.1 Contract Award:** The Contract is intended to provide Agencies with a purchase price for the Desired Items. The Contract shall be awarded to the Vendor that provides the Desired Items meeting the required specifications for the lowest overall total cost as shown on the Pricing Pages.

REQUEST FOR QUOTATION  
[03120615] [Prestressed Concrete Box Beams]

---

**4.2 Bid Evaluation Page:** Vendor should complete the Bid Evaluation Page in full as failure to complete the Bid Evaluation Page in its entirety may result in Vendor's bid being disqualified.

Notwithstanding the foregoing, the Purchasing Division may correct errors as it deems appropriate. Vendor should type or electronically enter the information into the Bid Evaluation Page to prevent errors in the evaluation.

**5. PAYMENT:**

**5.1 Payment:** Vendor shall accept payment in accordance with the payment procedures of the State of West Virginia. Methods of acceptable payment must include the West Virginia Purchasing Card. Payment in advance is not permitted under this Contract.

**6. DELIVERY AND RETURN:**

**6.1 Shipment and Delivery:** Vendor shall ship the Desired Items immediately after being awarded this Contract and receiving a purchase order or notice to proceed. Vendor shall deliver the Desired Items within 40 working days after receiving a purchase order or notice to proceed. Desired Items must be delivered to Agency at the project site.

**6.2 Late Delivery:** The Agency placing the order under this Contract must be notified in writing if the shipment of the Desired Items will be delayed for any reason. Any delay in delivery that could cause harm to an Agency will be grounds for cancellation of the Contract, and/or obtaining the Desired Items from a third party.

Any Agency seeking to obtain the Desired Items from a third party under this provision must first obtain approval of the Purchasing Division.

**6.3 Delivery Payment/Risk of Loss:** Vendor shall deliver the Desired Items F.O.B. destination to the Agency's location.

**6.4 Return of Unacceptable Items:** If the Agency deems the Desired Items to be unacceptable, the Desired Items shall be returned to Vendor at Vendor's expense and with no restocking charge. Vendor shall either make arrangements for the return within five (5) days of being notified that items are unacceptable, or permit the Agency to arrange for the return and reimburse Agency for delivery expenses. If the original packaging cannot be utilized for the return, Vendor will supply the Agency with appropriate return packaging upon request. All returns of unacceptable items shall be F.O.B. the Agency's location. The returned product



REQUEST FOR QUOTATION  
[03120615] [Prestressed Concrete Box Beams]

---

shall either be replaced, or the Agency shall receive a full credit or refund for the purchase price, at the Agency's discretion.

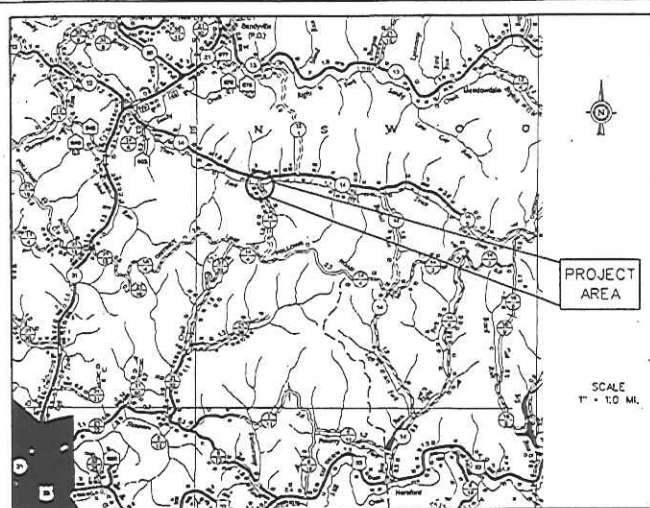
- 6.5 Return Due to Agency Error:** Items ordered in error by the Agency will be returned for credit within 30 days of receipt, F.O.B. Vendor's location. Vendor shall not charge a restocking fee if returned products are in a resalable condition. Items shall be deemed to be in a resalable condition if they are unused and in the original packaging. Any restocking fee for items not in a resalable condition shall be the lower of the Vendor's customary restocking fee or 5% of the total invoiced value of the returned items.

**COST SHEET**

RFQ #: 03120615

Item #	Quantity	Unit of Measure	Description	Unit Cost	Extended Amount
1	427.50	Square Feet	Interior Beam Section: 21" Prestressed Concrete Box Beams (3' Wide) 3 Beams x 47'-6" Overall Length. Skew = 10° RF		
2	285	Square Feet	Exterior Beam Section: 21" Prestressed Concrete Box Beams (3' Wide) 3 Beams x 47'-6" Overall Length. Skew = 10° RF		
3	8	Each	1-13/16" Elastomeric Laminated Bearing pads (60 Duro Hardness) 8-B1 Pad (4-3/4"x28")		
4	4	Each	1-13/16" Elastomeric Laminated Bearing Pads (60 Duro Hardness) 4-B2 pad (4-3/4x15-1/2")		
5	10	Each	1" Diameter x2'-0" Swedged Anchor Bolt or No. 8 Deformed Reinforcing Bar (Grade 60) Galvanized		
6	21	Square Feet	2-1/8" Thick Sponge Rubber Preformed Joint Filler 15.5 LF @ 6-5/8" Wide=8.6 SF/End, 18 SF Total 3.5 LF@4-3/4" Wide=1.4 SF/End, 2 SF Total		
7	55	Square Feet	1" Thick Sponge Rubber Preformed Joint Filler 15.5 LF @ 21" Wide=27.2 SF/End, 55 SF Total		
8	16	Each	Guardrail Attachment Assembly for Box Beam with Studs, Nuts and Washers		
9	91.25	Linear Feet	1" Diameter post-Tensioning Thread Bar w/12 Hardened Nuts 5 Bars @ 18'-3"		
10	10	Each	Bearing Plate 9"x9"x1"		
11	16	Each	Type TL-2 Bridge Guradrail Posts		
12	112.5	Linear Feet	Type TL-2 Bridge Guardrail		
13	190	Linear Feet	1" Grout Stop		
14	20	Each	1"x8"x8" Washer		
<b>Total Amount</b>					

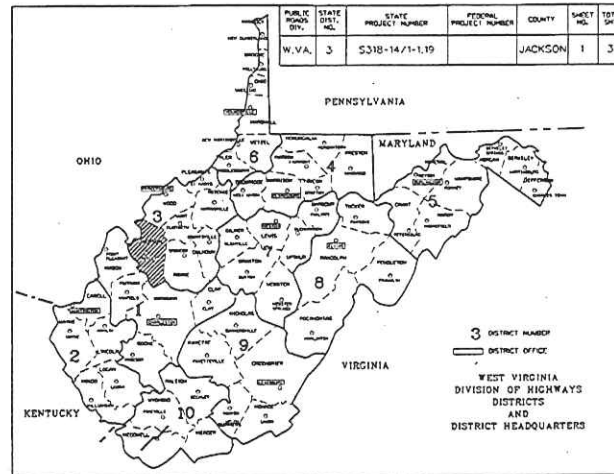
NOTE: Vendor should submit with their bid, the State of West Virginia Certificate from the West Virginia Secretary of State's Office.



WEST VIRGINIA  
DEPARTMENT OF TRANSPORTATION  
DIVISION OF HIGHWAYS  
PLANS FOR CONSTRUCTION  
OF  
STATE HIGHWAY

FEDERAL PROJECT NO. N/A  
STATE PROJECT NO. S344-14/1-1.19  
COUNTY ROUTE NO. 14/1 (SLS)  
DISTRICT NO. THREE  
JACKSON COUNTY

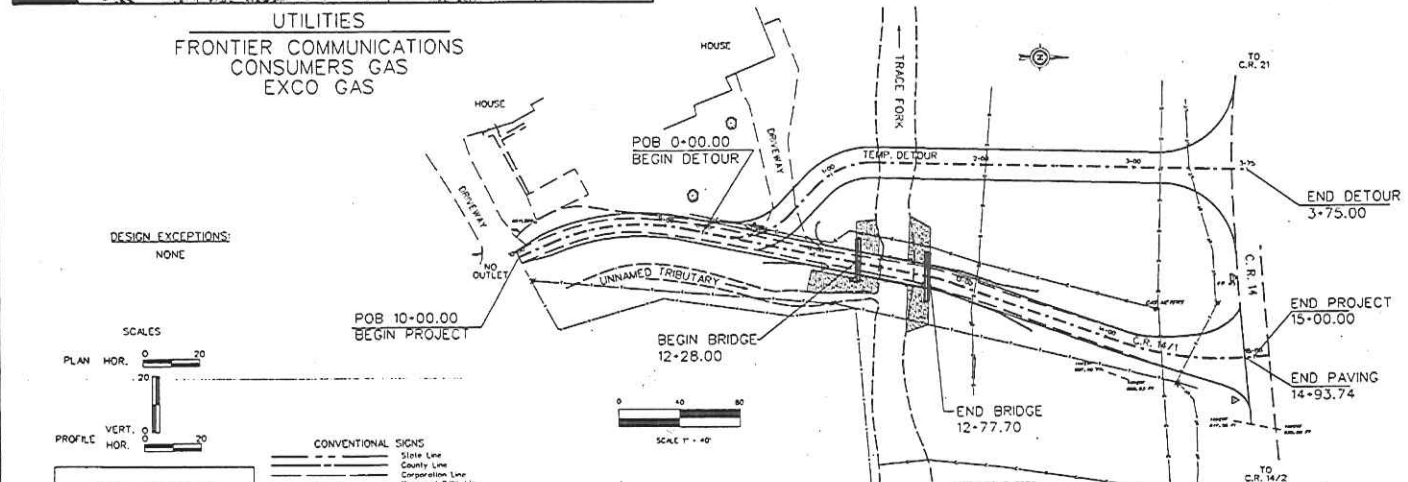
**LITTLE TRACE FORK BRIDGE**  
ROADWAY 10+00.00 TO 12+28.00 = 228.00 FT. = 0.043 MI.  
BRIDGE 12-28.00 TO 12-77.70 = 49.70 FT. = 0.010 MI.  
ROADWAY 12-77.70 TO 15+00.00 = 222.30 FT. = 0.042 MI.  
TOTAL PROJECT LENGTH = 500.00 FT. = 0.095 MI.



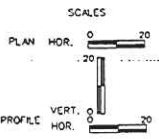
TYPE OF CONSTRUCTION

BRIDGE NO. 11062  
BRIDGE REPLACEMENT  
SUPER STRUCTURE REPLACEMENT  
GRADING, PAVING, AND DRAINAGE

UTILITIES  
FRONTIER COMMUNICATIONS  
CONSUMERS GAS  
EXCO GAS



DESIGN EXCEPTIONS:  
NONE



CONVENTIONAL SIGNS

---	State Line
---	County Line
---	Corporation Line
---	Proposed R/W Line
---	Property Line
---	Existing Fence
---	Proposed Fence
---	Edge of Stream
---	Proposed Guard Rail
---	Existing Guard Rail
---	Proposed
---	Dot Line
---	Water Line
---	Telephone Line
---	Electric Line
---	Telephone Pole
---	Power Pole
---	Combined Power and Telephone Pole
---	Tree
---	Strip
---	Right of Way Marker

DESIGN DESIGNATION

A.D.T. (2010) = 30
A.D.T. ( ) =
D.H.V. = 5
D. =
T. =
V. = 20 MPH

NO.	DATE
SR-24	3-11
SR-214	10-07
SR-218	10-07
SR-200	10-07
SR-201	10-07
SR-202A	10-07
SR-202B	10-07
SR-203	10-07
SR-204	10-07
SR-206	10-07

NO.	DESCRIPTION
1	TITLE SHEET
2	GENERAL NOTES
3+4	GENERAL NOTES
5	ESTIMATE OF QUANTITIES, SCHEMATIC OF WORK
6	PLAN VIEW
7	SURVEY REFERENCES & CURVE DATA
8	PROFILE
9	ABUTMENT LAYOUT PLAN
10	ABUTMENT - 11 DETAILS
11	ABUTMENT - 2 DETAILS
12-20	IMPROVED CONCRETE BEAM DETAILS
21	PHYSICAL SECTIONS AND DETAILS
22-23	CROSS SECTIONS
24-25	CROSS SECTIONS

NO.	SHEET	REVISION	DATE	BY

BRIAN J. BROWN  
REGISTERED  
16193  
STATE OF  
WEST VIRGINIA  
PROFESSIONAL ENGINEER

SIGNED: *Brian J. Brown*  
RESPONSIBLE CHIEF ENGINEER  
DATE: 4/30/12

May 3 2012  
I HEREBY CERTIFY THAT THIS IS A CORRECT COPY OF THE PLANS OF PROJECT S344-14/1-1.19  
*Mica Crookshanks*  
INSUPRINTENDENT

RECOMMENDED: *Brian J. Brown*  
PROJECT ENGINEER

RECOMMENDED FOR APPROVAL: *Mervyn A. Murphy*  
STATE ENGINEER

APPROVED: *Paul d. Matton, Jr.*  
COMMISSIONER OF HIGHWAYS

PROJECT NO. S344-14/1-1.19, S699-SBR/RW-12

**GOVERNING SPECIFICATIONS**

The governing provisions applicable to this project are the West Virginia Department of Highways Standard Specifications, Roads and Bridges, adopted 2010, as amended by the current Supplemental Specifications of the West Virginia Department of Highways, the contract plans and the contract documents.

-Current Supplemental Specifications shall be the Specifications in effect on the first day of project commencement for listing in contract.

**DESIGN - NEW STRUCTURES ①**

This bridge is designed for an H-16-44 live load capacity, as well as for a 25 p.s.f. wearing surface. Design WBR Stress:

- Reinforcing Steel, AASHTO M31 Grade 60, Fy = 60,000 p.s.i.
- Structural Steel, A572 Fy = 50,000 p.s.i.
- Structural Steel, A572 Fy = 60,000 p.s.i.
- Structural Steel, A588 Fy = 36,000 p.s.i.
- Class B Concrete f'c = 3,000 p.s.i.

**DESIGN - REHABILITATION AND STRENGTHENING ②**

This bridge is strengthened for a live load capacity of 10. Strengthening design stress = 10 p.s.i. All structural steel shall be ASTM A36 unless otherwise designated on the construction plans.

**CONCRETE (CAST-IN-PLACE) ③**

Concrete shall be cured in accordance with Subsection 601.12 of the Standard Specifications. If used, polyethylene coated paper shall conform to the requirements of Subsection 707.6 of the Standard Specifications. The minimum strength, measured from the surface of the concrete to the face of any reinforcing steel, shall be 3 inches if the concrete is in contact with the ground surface and 2 inches otherwise, except as specified differently on the plans.

**SUBSTRUCTURE CONCRETE (CAST-IN-PLACE) ④**

All concrete in the substructure shall be Class B, air entrained. Chamfer exposed edges of the substructure concrete 1 inch, except for the obtuse curb, which shall be chamfered 3/4 inch. The exposed surfaces of the substructure shall be Class 1, Ordinary Surface Finish, in accordance with Subsection 601.11 of the Standard Specifications, except for the obtuse curb and parapets, which shall be Class 2, Rubbed Finish, in accordance with Subsection 601.12 of the Standard Specifications. The obtuse curb and parapets shall be poured until the superstructure is in place. For footings embedded in rock, the top of the footing shall be finished to the elevations shown on the plans. The footings shall be carried a minimum of 1 foot into solid rock and poured against the face of the rock without form, except where the rock excavation is not the entire depth of the footing. The obtuse bearing seat, upon which the shoes or other bearing devices will set, shall be finished to true elevations as shown on the plans. Finisher job holes with non-synthetic grout or anchor bolts are set. The non-synthetic grout shall consist of 1 part regular portland cement, 1 part silica sand and 1 part non-synthetic grout. The cost of the non-synthetic grout shall be included in Pay Item 50002-00L, "Class B Concrete".

**SUPERSTRUCTURE CONCRETE (CAST-IN-PLACE) ⑤**

All concrete in the superstructure shall be Class K, air entrained. All concrete for decks, curbs, parapets or medians shall be Class K, air entrained, containing 7 bags of cement per cubic yard. Chamfer exposed edges of the curbs, parapets or medians 3/4 inch. The exposed surfaces of the curbs shall be Class 2, Rubbed Finish, in accordance with Subsection 601.12 of the Standard Specifications. Bridge decks shall be finished in accordance with Subsection 601.11 of the Standard Specifications.

**REINFORCING STEEL BARS ⑥**

All reinforcing steel bars shall be intermediate grade steel, Grade 60 in accordance with Subsection 707.3 of the Standard Specifications. The requirements of Section 602 of the Standard Specifications shall be followed. The minimum lap length or dowel embedment shall be 30 bar diameters. Reinforcement under the shoes or other bearing device shall be placed so as to avoid interference with drying of anchor bolt holes. The inspector shall select random bars from the reinforcing bar set for test bars. He shall cut 2"-0" from the bar chosen, rebars have been detailed to allow a 30 bar diameter splice at each end. One paid for under Item 602002-00L, in the event of any one size or any one size are not seen in one shipment, the supplier shall, at his expense, furnish one bar for each section thereof, for each shipment. In the event that any shipment of materials has been pretested and has been identified in accordance with Materials Control, Soil and Testing Division's Informational Memorandum Number 171M-17, the shipment may be accepted without further testing subject to record sampling procedures.

**STRUCTURE EXCAVATION (FOOTINGS FOUND IN ROCK) ⑦**

Structure excavation quantities through soft footings measured from the top of rock to the original ground line, 10 inches outside the next line of the footings. No excavation shall be classified as wet or rock excavation. Rock shall be excavated and paid for as structure excavation to the next line of the footings only. Rock shall be excavated until level surface is provided with the entire footing resting on hard rock.

**STEEL TOUGHNESS REQUIREMENT ⑧**

The provisions of the AASHTO Specifications in accordance with Subsections 615.1.3 and 615.2.1.1 of the Standard Specifications shall apply to these items of structural steel shown and/or designated by these plans.

**PAINTING (NEW STRUCTURES) ⑨**

Shop and field painting shall be in accordance with Section 688 of the current Standard Specifications and/or Special Provisions.

- OPTION (A)**  
Primer system shall consist of one shop prime coat, one field prime coat and two field finish coats. Shop Prime Coat: One complete coat of shop prime conforming to the requirements of Subsection 711.7 of the Standard Specifications. Dry film thickness shall be a minimum of two (2) mils. Field Prime Coat: One complete coat of intermediate primer conforming to the requirements of Subsection 711.8 of the Standard Specifications. Dry film thickness shall be a minimum of two (2) mils. First Finish Coat: One complete pigmented finish coat conforming to the requirements of Subsection 711.9 of the Standard Specifications. The color shall be (1) in accordance with Federal Standard 595, number (1). Dry film thickness shall be a minimum of two (2) mils. Top Finish Coat: One complete pigmented finish coat conforming to the requirements of Subsection 711.11 of the Standard Specifications. The color shall be (2) in accordance with Federal Standard 595, number (2). Dry film thickness shall be a minimum of two (2) mils.
- OPTION (B)**  
Primer system shall consist of shop prime coat, intermediate field fogcoat and finish topcoat. Field painting shall include touch-up and repair of shop paint. Finish system shall be the Inorganic Zinc Rich system meeting the requirements of Section 711.20 of the Standard Specifications. Shop Prime Coat: Shall conform to the requirements of Subsection 711.20.2 of the Standard Specifications. Dry film thickness shall be a minimum of three (3) mils. Intermediate Field Coat: Shall conform to the requirements of Subsection 711.20.3 of the Standard Specifications. Topcoat: Shall conform to the requirements of Subsection 711.20.4 of the Standard Specifications. The color shall be (1) in accordance with Federal Standard 595, number (1). Dry film thickness of the total paint system shall be a minimum of seven (7) mils.
- OPTION (C)**  
Primer system shall consist of application of shop prime coat and field touch-up and repair of shop coat. Primer system shall be the Inorganic Zinc Rich primer meeting the requirements of Subsection 711.20.2 of the Standard Specifications. Dry film thickness shall be a minimum of three (3) mils.

**CLEANING AND PAINTING (EXISTING STRUCTURES) ⑩**

Field cleaning and painting shall be in accordance with either OPTION (A) or (B) and shall also conform to applicable requirements of Section 688 of the current Standard Specifications and/or Special Provisions. When it is determined that the structure contains an environmentally hazardous existing paint system then option (C) shall apply.

**OPTION (A)**  
Cleaning: The portions of the structure listed in the special notes and quantity sheet, which is approximately (1) per cent, shall be cleaned in accordance with Subsection 688.3.3.2 of the Standard Specifications. The remaining portions of the structure not specified shall be cleaned in accordance with Subsection 688.3.3.2. It is not intended that sound, adherent old paint be removed unless it is excessively thick or inflexible. Attention is called to the requirements of paragraph 2 of Subsection 688.3.3.3 which requires that edges of paint be properly feathered to produce a smooth appearance. In the event that there is a difference of opinion as to when work may be considered as hand cleaned or to the extent of surface cleaning or surface preparation, the decision of the Engineer shall be final.

**OPTION (B)**  
Shop Painting: All steel surfaces cleaned to bare metal shall receive one coat of base/intermediate primer conforming to the requirements of Section 711.8 of the Standard Specifications. This shall be followed by a finishing coat, type as recommended by the paint manufacturer and approved by the Engineer.

**OPTION (C)**  
Primer Coat: One complete coat of base/intermediate primer shall conform to the requirements of Section 711.8 of the Standard Specifications. Dry film thickness shall be a minimum of two (2) mils. Intermediate Field Coat: Upon completion of application of the primer coat, the entire structure shall receive a minimum of one complete coat undercoat conforming to the requirements of Section 711.9 of the Standard Specifications. Dry film thickness shall be a minimum of two (2) mils. The color shall be (1) in accordance with Federal Standard 595, number (1). Top Coat: Pigmented Finish Coat: Upon completion of application of the intermediate coat, the entire structure shall receive a minimum of one complete pigmented finish coat conforming to the requirements of Section 711.11 of the Standard Specifications. Dry film thickness shall be a minimum of two (2) mils. The color shall be (2) in accordance with Federal Standard 595, number (2).

**OPTION (D)**  
Cleaning: All surfaces to be painted shall be cleaned and prepared in accordance with Subsection 688.3.3.1 of the Standard Specifications to a "white metal" or "near white metal" condition. The paint system shall be as follows:  
Field Prime Coat: All steel surfaces shall be primed with an organic zinc rich primer conforming to the requirements of Section 711.20, Type 2. Dry film thickness of the primer shall be a minimum of four (4) mils.  
Field Intermediate Coat: The field intermediate coat shall conform to the requirements of Subsection 711.20.3 of the Standard Specifications.  
Field Top Coat: The field top coat shall conform to the requirements of Subsection 711.20.4 of the Standard Specifications. The color shall be (1) in accordance with Federal Standard 595, number (1). Dry film thickness of the total paint system shall be a minimum seven (7) mils.

**OPTION (E)**  
Environmental Protection Allocations of the Structure shall be cleaned in accordance with the Specifications for 688-Painting Steel Structures, Sub-sections 688.1, 688.3.3.2, 688.4, 688.5, and 688.6 as contained in these plans.

**STRUCTURE EXCAVATION (FOOTINGS FOUND ON PILES) ⑪**

Structure excavation quantities through soft footings measured from the bottom of the footing to the original ground line, 10 inches outside the next line of the footings. No excavation will be classified as wet or rock excavation.

**PREFORMED ELASTOMERIC JOINT SEALER ⑫**

The preformed elastomeric joint sealer shall conform to the requirements of Section 624 of the Standard Specifications.

**BRIDGE GUARDRAIL ⑬**

The guardrail, buffer and terminal sections, posts and anchors shall conform to the requirements as set forth by the West Virginia Department of Highways Standard Details Book (Standard Sheet 2.3.11 through C.R.7) or equivalent and Standard Bridge Plan Sheet BR-CL. Buckers are not required. End exchange shall be in accordance with Design Directive DD 562. All guardrail mounting hardware will be hot-dip galvanized after fabrication. Threads shall conform to unanneal proper fit. Guardrail posts may be square or beveled.

**STRUCTURAL STEEL ⑭**

All structural steel shall conform to the requirements of ASTM A572 Fy = 60,000 p.s.i. unless otherwise noted. For superstructures utilizing steel grid flooring, structural steel conforming to the requirements of ASTM A588 Fy = 30,000 p.s.i. may be substituted for ASTM A572 steel. No painting shall be required for ASTM A588 steel.

**OPTION (A)**  
All ASTM A572 steel shall be steel cleaned and shop primed in accordance with Section 615 of the Standard Specifications.

**STEEL GRID FLOORING (CONCRETE FILLED TYPE) ⑮**

The steel grid flooring shall conform to applicable requirements of Section 621 of the current Standard Specifications and/or Special Provisions of the West Virginia Department of Highways. The grid shall conform to applicable requirements as set forth by the Bridge Grid Flooring Manufacturers Association. Size and type shall be as specified on the plans. The steel grid flooring shall conform to requirements of ASTM A36, A372 or A588, type as specified on the plans. Cleaning: All surfaces to be painted shall be cleaned and prepared in accordance with Section 688.2 of the Standard Specifications to a "white metal" or "near white metal" condition. The paint system shall be as follows:  
The steel grid flooring and all components shall either be shop painted with an inorganic zinc rich primer meeting Subsection 711.20.2 of the Standard Specifications or hot-dip galvanized meeting requirements of ASTM A523. Type of coating shall be as specified on the plans. Reinforcing steel shall be number 3 light steel bars either Grade 40 or 60 in accordance with Subsection 709.1 of the Standard Specifications. The concrete used in the steel grid shall be Class A air entrained. The design stresses for this concrete are f'c = 3,500 psi, f'c = 4,100 psi and n = 10.

**STEEL GRID FLOORING (OPEN TYPE) ⑯**

The steel grid flooring shall conform to applicable requirements of Section 621 of the current Standard Specifications and/or Special Provisions of the West Virginia Department of Highways. The grid shall conform to applicable requirements as set forth by the Bridge Grid Flooring Manufacturers Association. Size and type shall be as specified on the plans. The steel grid flooring shall conform to requirements of ASTM A36, A372 or A588, type as specified on the plans. Cleaning: All surfaces to be painted shall be cleaned and prepared in accordance with Section 688.2 of the Standard Specifications to a "white metal" or "near white metal" condition. The paint system shall be as follows:  
The steel grid flooring and all components shall either be shop painted with an inorganic zinc rich primer meeting Subsection 711.20.2 of the Standard Specifications or hot-dip galvanized meeting requirements of ASTM A523. Type of coating shall be as specified on the plans.

**MAINTAINING TRAFFIC ⑰**

Traffic shall be maintained in accordance with Section 638 and Subsection 104.5 of the Standard Specifications.

**NAIL LAMINATED WOOD DECK ⑰**

Plan Bridge Lumber: All lumber shall be surfaced four sides, pressure treated No. 2 medium, ground or better Southern Pine or specified by current Grading Plans for Southern Pine Lumber published by the Southern Pine Inspection Bureau, New Orleans, Louisiana. General Timber Deck Notes: The allowable bending stress shall not be less than 1,200 p.s.i. and the allowable shearing stress shall not be less than 100 p.s.i. All lumber shall be sized by being processed through a kiln or mix surface. This material shall be subject to random sampling and testing for compliance with the above specifications upon delivery. Material will be accepted in bundles when the shipment is accompanied by a certificate, issued by a Department of Highways Materials Control, Soil and Testing Division certified inspector, showing that the lumber in the "mix" meets the above requirements. When said certificate is not available, the material will be inspected by Department of Highways personnel at the delivery site and stored and struck by the vendor. Treatment: Material for pressure treatment shall be in accordance with Subsection 710.5 of the Standard Specifications. Treatment shall be by either the full-cell or empty cell process at 150 to 200 p.s.i. and a minimum retention as specified by the American Wood Preservative Association Standard C-2 shall be obtained. Material and/or preservative shall conform to the requirements of Subsection 710.5 of the Standard Specifications. Delivery: Material shall be delivered in minimum shipments of 2,000 board feet or as directed by the Engineer. A minimum of 15 calendar days shall be allowed for delivery following notification by the Engineer. The vendor shall promptly the Engineer one working day prior to delivery of the material. General: Any deviation from the above requirements may be cause for rejection, by the Engineer of the entire shipment of lumber. Non-specified material in any shipment shall be rejected and will be removed from the West Virginia Department of Highways storage area by the vendor prior to acceptance of the balance material. Notification shall be made on all receiving documents and/or delivery slips specifying reasons for rejection of any portion of a shipment. The signatures of both the Department of Highways and delivery agency representatives shall be affixed to documents in which rejection is recorded. The vendor must furnish to the Engineer a certificate of inspection, certifying that the total load used meets the specifications for quality of lumber, preservative and retention required. A certified copy of the certificate of inspection must be attached to the invoice. Under no circumstances may the vendor ship nor will the Department of Highways accept or pay for quantities of material in excess of the quantity stated on the purchase order, except upon advance approval of the Engineer. The inspection agencies listed hereafter may be considered as qualified, if a vendor desires inspection by responsible agencies other than those listed, advance approval must be obtained from the Director, Materials Center, Soil and Testing Division, 312 Michigan Avenue, Charleston, West Virginia 25305. Qualified Lumber Inspection Agencies:

- McCormac Inspection Company, Norfolk, Virginia
- Freathing and Robertson, Inc., Richmond, Virginia
- A.W. Wilkins Inspection Company, Mobile, Alabama
- Southern Pine Inspection Bureau, New Orleans, Louisiana

**PRESTRESSED CONCRETE SUPERSTRUCTURE ⑲**

Refer to the appropriate Standard Plan sheet for design stresses, specifications or notes. Although the plans are drafted for a particular type of prestressed concrete beam, alternate types or brand prestressed concrete beams may be furnished with the following stipulations: (a) Supplier must submit proposed alternate with design computations for review and approval by the Department of Highways. (b) Contractor must supply revised modified construction plans showing dimensions and modifications as required by the use of the alternate beam for review and approval by the Department of Highways. (c) Completion date of the project will be extended due to any delay encountered in obtaining alternate beam and revised modified plan approval by the Department of Highways. (d) The project can not be started until the revised modified plans are approved by the Department of Highways.

☐ These items are for Purchase Order Contract only.

NOTE SELECTION TABLE			CODE TABLE		
CODE	YES	NO	CODE	YES	NO
1	X		10	X	
2	X		11	X	
3	X		12	X	
4	X		13	X	
5	X		14	X	
6	X		15	X	
7	X		16	X	
8	X		17	X	
9	X		18	X	
10	X		19	X	
11	X		20	X	
12	X		21	X	
13	X		22	X	
14	X		23	X	
15	X		24	X	
16	X		25	X	
17	X		26	X	
18	X		27	X	
19	X		28	X	
20	X		29	X	
21	X		30	X	
22	X		31	X	
23	X		32	X	
24	X		33	X	
25	X		34	X	
26	X		35	X	
27	X		36	X	
28	X		37	X	
29	X		38	X	
30	X		39	X	
31	X		40	X	
32	X		41	X	
33	X		42	X	
34	X		43	X	
35	X		44	X	
36	X		45	X	
37	X		46	X	
38	X		47	X	
39	X		48	X	
40	X		49	X	
41	X		50	X	
42	X		51	X	
43	X		52	X	
44	X		53	X	
45	X		54	X	
46	X		55	X	
47	X		56	X	
48	X		57	X	
49	X		58	X	
50	X		59	X	
51	X		60	X	
52	X		61	X	
53	X		62	X	
54	X		63	X	
55	X		64	X	
56	X		65	X	
57	X		66	X	
58	X		67	X	
59	X		68	X	
60	X		69	X	
61	X		70	X	
62	X		71	X	
63	X		72	X	
64	X		73	X	
65	X		74	X	
66	X		75	X	
67	X		76	X	
68	X		77	X	
69	X		78	X	
70	X		79	X	
71	X		80	X	
72	X		81	X	
73	X		82	X	
74	X		83	X	
75	X		84	X	
76	X		85	X	
77	X		86	X	
78	X		87	X	
79	X		88	X	
80	X		89	X	
81	X		90	X	
82	X		91	X	
83	X		92	X	
84	X		93	X	
85	X		94	X	
86	X		95	X	
87	X		96	X	
88	X		97	X	
89	X		98	X	
90	X		99	X	
91	X		100	X	

APPROVED: *James E. Atkinson* DATE: 3-30-91  
*(Seal: Director's Office)*

WEST VIRGINIA DEPARTMENT OF TRANSPORTATION  
 DIVISION OF HIGHWAYS - STRUCTURES  
 STANDARD BRIDGE PLANS

GENERAL NOTES  
 STANDARD SHEET BR-2A

REVISIONS:  
 11-26-90  
 5-91  
 8-93  
 9-93  
 2-98  
 5-11

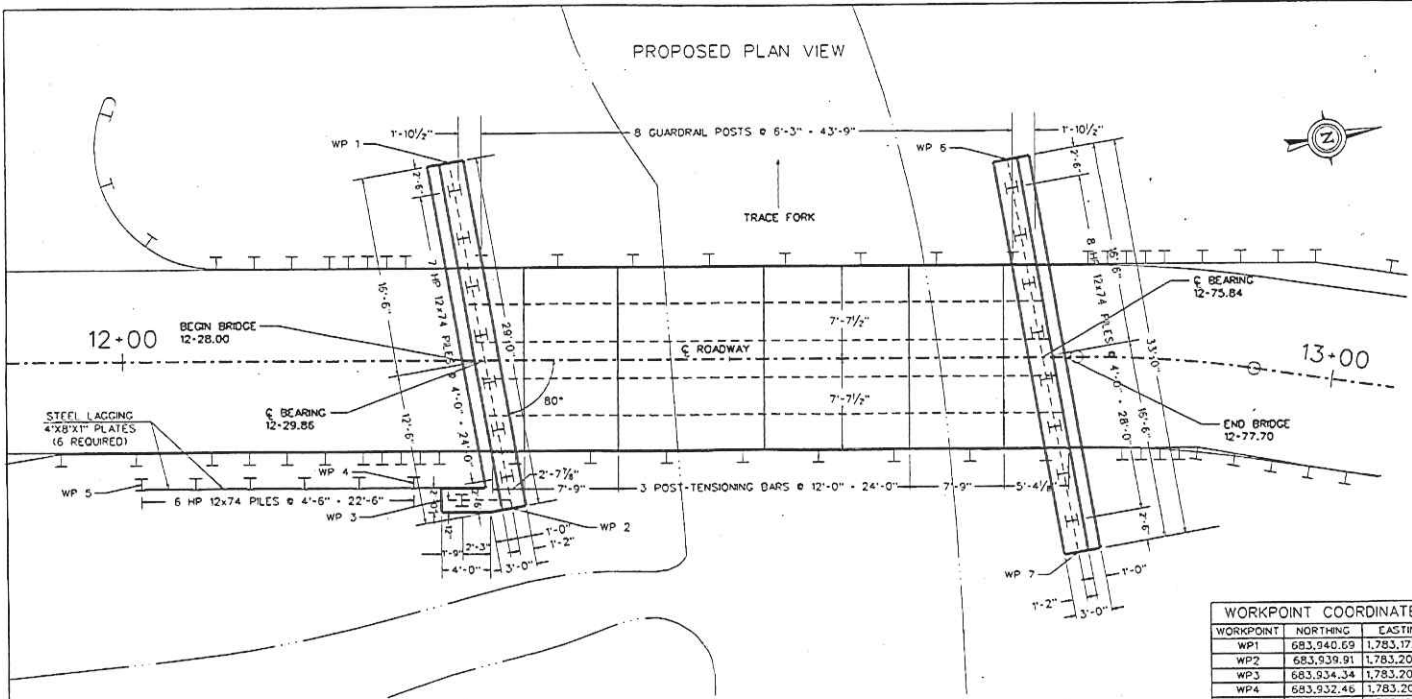
**THE W.V.A. DEPARTMENT OF TRANSPORTATION  
 DIVISION OF HIGHWAYS - STRUCTURES**

BRIDGE NO. 18-14/1-1.21  
 OVER  
 TRACE FORK  
 ON  
 COUNTY ROUTE 14/1 (SL5)  
 IN  
 JACKSON COUNTY

DESIGNED BY: EJB  
 DRAWN BY: DJWW  
 CHECKED BY:  
 REVISIONS:  
 DATE: 4-12  
 SCALE: NONE  
 SHEET: 3 of 33  
 BRIDGE NUMBER: 18-14/1-1.21  
 11062

**GENERAL NOTES**

STATE PROJECT NUMBER	FEDERAL PROJECT NUMBER	STATE DIST. NO.	COUNTY	SHEET NO.	TOTAL SHEETS
5318-14/1-1.19	N/A	3	JACKSON	9	33



WORKPOINT COORDINATES		
WORKPOINT	NORTHING	EASTING
WP1	683,940.69	1,783,175.74
WP2	683,939.91	1,783,204.73
WP3	683,934.34	1,783,203.06
WP4	683,932.46	1,783,201.03
WP5	683,910.41	1,783,196.52
WP6	683,985.76	1,783,184.95
WP7	683,984.87	1,783,217.94

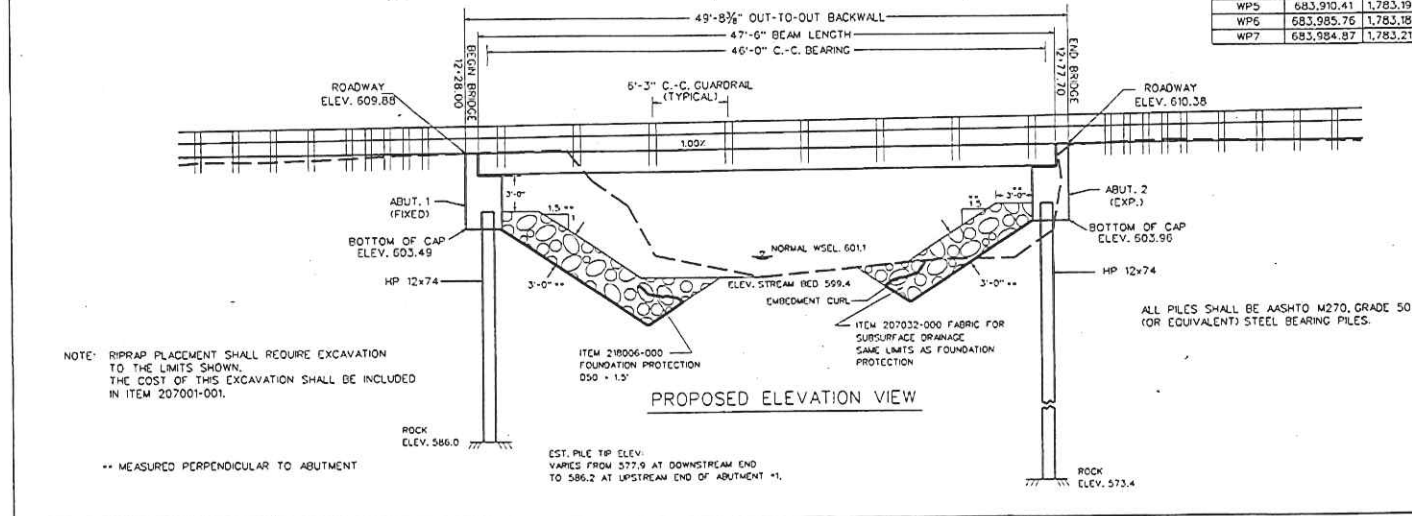
**PILE DRIVING NOTES**

- 1) ALL HP12x74 PILING SHALL HAVE A DESIGN LOAD OF 98.1 TONS AND SHALL BE DRIVEN TO REFUSAL INTO THE FOUNDATION STRATA AS INDICATED BY THE ESTIMATED PILE TIP ELEVATIONS.
- 2) REFUSAL IS DEFINED AS THE EQUIVALENT OF 20 BLOWS FOR ONE INCH OR LESS OF PENETRATION WITH A POWER HAMMER DEVELOPING A MINIMUM CAPACITY OF 15,000 FT-POUNDS PER BLOW.
- 3) IF A LARGER HAMMER IS USED, THE NUMBER OF BLOWS IN THE LAST INCH OF PENETRATION MAY BE REDUCED IN DIRECT PROPORTION TO THE ENERGY RATING OF THE HAMMER, BUT TO NO LESS THAN 12. THE CONTRACTOR SHALL ALSO SUBMIT DOCUMENTATION VERIFYING (USING WAVE EQUATION ANALYSIS) THAT THE PILES WILL NOT BE DAMAGED DURING DRIVING.
- 4) ALL DRIVEN PILES SHALL BE FITTED WITH PRE-MANUFACTURED PILE POINTS CONFORMING TO SECTION 709.50. THE COST OF THE PILE POINTS SHALL BE INCLUDED IN ITEM 686904-008.
- 5) PILE LENGTHS ARE ESTIMATES BASED ON THE AVAILABLE DATA. (SEE CORE BORING DATA ON SHEETS 22/23.) THE CONTRACTOR IS RESPONSIBLE FOR DETERMINING PILE LENGTHS TO BE ORDERED.
- 6) THE BATTERED PILES ARE INDICATED BY AN ARROW IN THE PLAN VIEW. THE BATTER RATE IS 3 HORIZONTAL TO 12 VERTICAL IN THE DIRECTION OF THE ARROW.

**FOUNDATION PROTECTION NOTES**

- 1) FOUNDATION PROTECTION MATERIAL FOR SCOUR PROTECTION SHALL BE UNIFORMLY GRADED AS FOLLOWS WITH A D50 SIZE OF 18".
 

STONE	% OF GRADATION SMALLER THAN
30"	100%
24"	85%
18"	50%
10"	15%
- 2) THE STONE SHALL BE REASONABLY WELL GRADED THROUGHOUT THE SCOUR PROTECTION THICKNESS AS DETERMINED BY THE ENGINEER BY VISUAL INSPECTION.
- 3) STONES SMALLER THAN THE SPECIFIED 15% SHALL NOT BE PERMITTED IN ANY AMOUNT EXCEEDING 20% BY WEIGHT.
- 4) MATERIAL SHALL CONSIST OF ROCK (MEDIUM HARD OR HARDER) OF A QUALITY SATISFACTORY TO THE ENGINEER AND SHALL BE PLACED PER SECTION 218 EXCEPT THAT NO TESTING IS REQUIRED.
- 5) THE USE OF SHALE IS NOT PERMITTED.
- 6) ALL COST ASSOCIATED WITH PLACING THE FOUNDATION PROTECTION (INCLUDING EXCAVATION, EMBANKMENT AND CLEARING & GRUBBING NOT OTHERWISE INCLUDED IN THE ROADWAY CROSS-SECTIONS) SHALL BE INCLUDED IN ITEM 218006-000.



NOTE: RIPRAP PLACEMENT SHALL REQUIRE EXCAVATION TO THE LIMITS SHOWN. THE COST OF THIS EXCAVATION SHALL BE INCLUDED IN ITEM 207001-001.

NO.	REVISION	DATE	BY

THE W.VA. DEPARTMENT OF TRANSPORTATION  
DIVISION OF HIGHWAYS

BRIDGE NO. 18-14/1-1.21  
OVER  
TRACE FORK  
ON  
COUNTY ROUTE 14/1 (SLS)  
IN  
JACKSON COUNTY

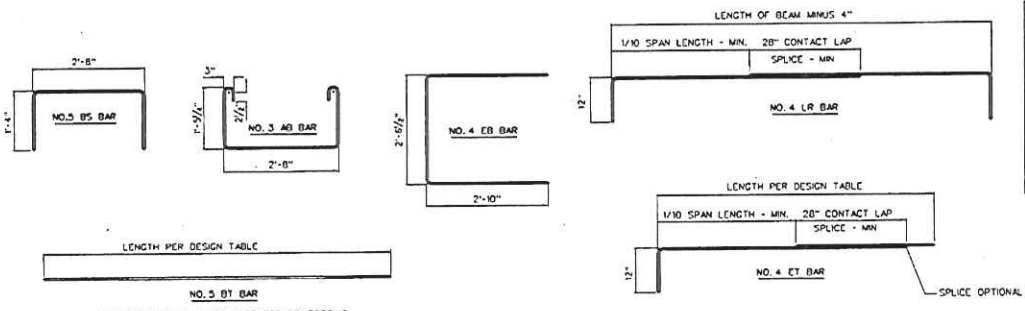
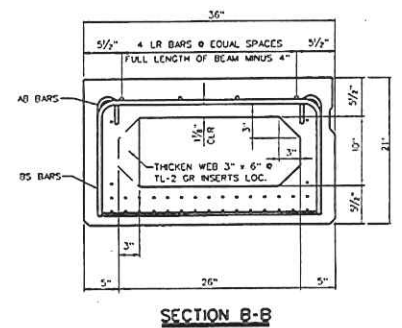
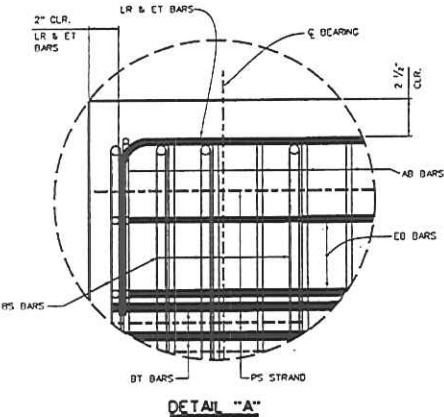
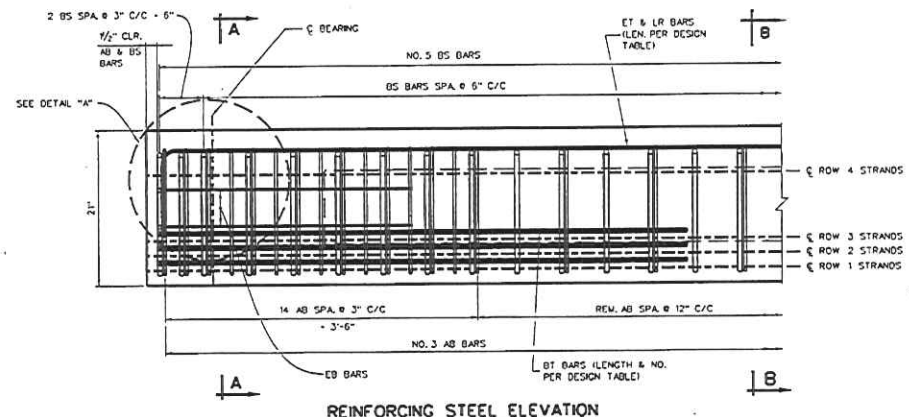
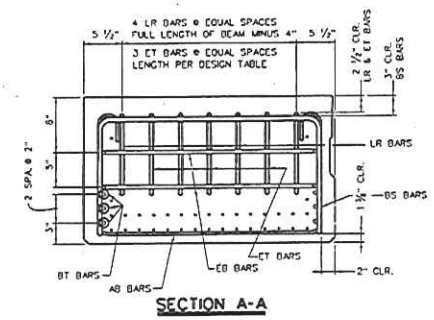
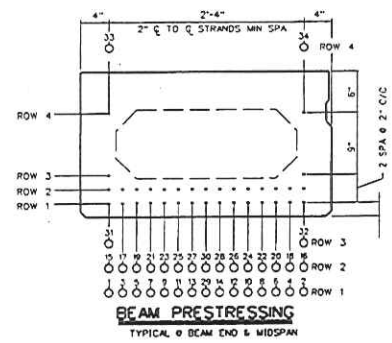
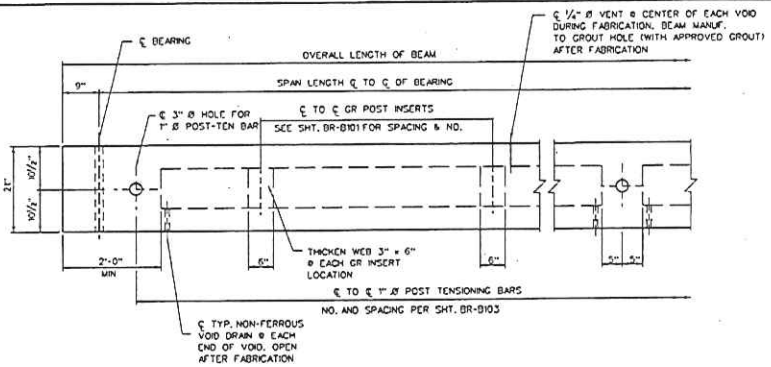
SCALE: 1" = 5'

DRAWN BY	DATE
LRT	4-12
CHECKED BY	DATE
LRT	4-12
DESIGNED BY	DATE
BUB	4-12
RECORDED BY	DATE
CWC	4-12

ABUTMENT LAYOUT

SHEET 9 OF 33  
BRIDGE NUMBER 18-14/1-1.21  
11062

PROJECT NUMBERS		DISTRICT	COUNTY	SHEET NO.	TOTAL
STATE	FEDERAL	3	JACKSON	12	33
S318-14/1-1,19					



NOTES:

- REFER TO SHEET BR-B102A FOR SHEAR KEY DETAILS.
- DESIGNER SHALL USE THE FOLLOWING KEY TO INDICATE STRAND AND DEBONDING PATTERN ON "BEAM PRESTRESSING VIEW", THIS SHEET.
  - ACTIVE STRAND
  - ▽ DEBOND STRAND: LENGTH FROM END OF BEAM
  - △ DEBOND STRAND: LENGTH FROM END OF BEAM
  - DEBOND STRAND: LENGTH FROM END OF BEAM
- THIS SHEET SHALL BE USED IN CONJUNCTION WITH STANDARD SHEETS BR-B102A, BR-B100, BR-B101, BR-B102A & B, BR-B103, BR-B104, BR-B105A & B AND BR-B106 AS APPLICABLE.

WHEN A POST-TEN ACCESS POCKET IS USED AS DETAILED ON SHEET BR-B103 STRANDS IN ROWS 3 AND 4 SHALL BE ELIMINATED. THE BEAM SHALL BE REDESIGNED AS NECESSARY.

APPROVED: *[Signature]* DATE: 07-25-07  
DIRECTOR, ENGINEERING DIVISION

WEST VIRGINIA DEPARTMENT OF TRANSPORTATION  
DIVISION OF HIGHWAYS  
ENGINEERING DIVISION

2" PRESTRESSED CONCRETE  
BOX BEAMS  
DESIGN AND ASSEMBLY DETAILS

STANDARD SHEET BR-B21A

PREPARED: 07-02-07

REVIEWED:

WEST VIRGINIA DEPARTMENT OF TRANSPORTATION  
DIVISION OF HIGHWAYS  
ENGINEERING DIVISION

BRIDGE NO. 18-14/1-1.21  
OVER  
TRACE FORK  
ON  
COUNTY ROUTE 14/1 (SLS)  
IN  
JACKSON COUNTY

2" PRESTRESSED BOX BEAM  
DESIGN AND ASSEMBLY DETAILS

DESIGNED BY: [ ]  
DRAWN BY: [ ]  
CHECKED BY: [ ]  
REVIEWED BY: [ ]  
DATE: 4-12  
SCALE: [ ]  
SHEET 12 of 33  
BRIDGE NO. 18-14/1-1.21  
11062



STATE PROJECT NUMBER	FEDERAL PROJECT NUMBER	STATE DIST. NO.	COUNTY	SHEET NO.	TOTAL SHEETS
S318-14/1-1.19		3	JACKSON	14	33

### GOVERNING SPECIFICATIONS

THE WEST VIRGINIA DEPARTMENT OF TRANSPORTATION, DIVISION OF HIGHWAYS STANDARD SPECIFICATIONS FOR ROADS AND BRIDGES, ADOPTED [2002] AS AMENDED BY THE CURRENT SUPPLEMENTAL SPECIFICATIONS, THE CONTRACT PLANS AND CONTRACT SPECIAL PROVISIONS ARE THE GOVERNING PROVISIONS APPLICABLE TO THIS PROJECT.

ALL BEAMS ARE DESIGNED IN ACCORDANCE WITH THE AASHTO LRFD BRIDGE DESIGN SPECIFICATIONS, DATED 1998 AS AMENDED BY THE 2003 INTERIM SPECIFICATIONS.

### DESIGN NOTES

ALL STANDARD ADJACENT PRESTRESSED CONCRETE BRIDGE BEAMS ARE DESIGNED TO MEET THE FOLLOWING CRITERIA:

#### 1. DESIGN LOADS:

HS-20 LIVE LOAD IN ACCORDANCE WITH THE AASHTO LRFD BRIDGE DESIGN SPECIFICATIONS.

FUTURE WEARING SURFACE OF 50 PSF OF ROADWAY.

TYPE F PARAPET WEIGHING 321 PLF.

DIAPHRAGM DEAD LOAD, NUMBER REQUIRED BASED ON 15'-0" MAX. SPACING.

#### 2. TWO LANE BRIDGE WITH AN OVERALL WIDTH OF 24'-5" (INCL. 3/4" GAP BETWEEN ADJ. BEAMS), A CURB-TO-CURB WIDTH OF 22'-1", TRANSVERSE POST-TENSIONING, AND ZERO SKEW.

#### 3. DESIGN STRENGTH AND LIMIT STRESSES:

MINIMUM CONCRETE STRENGTH @ STRAND RELEASE	6000 PSI
MINIMUM CONCRETE STRENGTH @ 28 DAYS	8000 PSI
TEMPORARY STRESS LIMITS IN CONCRETE BEFORE LOSSES:	
COMPRESSION STRESS LIMIT @ STRAND RELEASE	3600 PSI
TENSION STRESS LIMIT @ STRAND RELEASE	-200 PSI
COMPRESSIVE STRESS LIMITS IN CONCRETE @ SERVICE (AFTER LOSSES):	
① FINAL 1 (PSI-DL-LL)	4800 PSI
② FINAL 2 (PSI-DL)	3600 PSI
③ FINAL 3 (50%PSI-DL-LL)	3200 PSI
TENSILE STRESS LIMIT IN CONCRETE @ SERVICE (AFTER LOSSES):	
① FINAL 1 (PSI-DL-LL)	-270 PSI
TENSION STRESS LIMIT PRIOR TO TRANSFER:	202.5 KSI
TENSION STRESS LIMIT AFTER ALL LOSSES:	194.4 KSI

#### 4. DEBONDING OR SHIELDING OF STRANDS TO REDUCE TEMPORARY TENSILE STRESSES IS PERMITTED, HOWEVER DEBONDING IS LIMITED TO 40% PER ROW AND 25% TOTAL. IN NO INSTANCES SHALL OUTER STRANDS BE DEBONDED. DEBONDED STRANDS SHALL BE SEPARATED BY AT LEAST ONE FULLY BONDED STRAND AND SHALL BE SYMMETRICAL ABOUT THE C OF THE BEAM.

#### 5. THE ELASTOMERIC BEARING PADS PROVIDED IN THE STANDARD DESIGNS ARE BASED ON ZERO GRADE AND ARE LIMITED TO A MAXIMUM OF 3% GRADE. IN INSTANCES OF GRADES EXCEEDING THIS LIMIT, PADS SHALL BE SPECIFICALLY DESIGNED. INDIVIDUAL PAD DESIGNS SHALL BE IN ACCORDANCE WITH SECTION 14, AASHTO LRFD. BEVELED SOLE PLATES ARE PERMITTED.

#### 6. MAXIMUM BEAM SKEW SHALL BE 30 DEGREES.

#### 7. WHEN ALTERNATE DESIGNS OR SITE SPECIFIC DESIGNS ARE PROVIDED, CRITERIA SET FORTH IN THESE STANDARDS SHALL APPLY.

#### 8. NEGATIVE DESIGN CAMBER AFTER ALL LOSSES IS NOT PERMITTED.

#### 9. EACH BEAM PROVIDED IN THESE STANDARD DESIGNS HAS BEEN LOAD RATED IN ACCORDANCE WITH SECTION 3.15 OF THE WEST VIRGINIA DIVISION OF HIGHWAYS BRIDGE DESIGN MANUAL, 2004. ADDITIONALLY, LOAD RATING PROCEDURES ARE IN ACCORDANCE WITH THE AASHTO MANUAL FOR CONDITION EVALUATION AND LOAD AND RESISTANCE FACTOR RATING OF HIGHWAY BRIDGES, 2003.

LAP SPlice TABLE	
BAR SIZE	NO. 3 NO. 4 NO. 5 NO. 6
SPlice LEN.	24" 28" 34" 41"

THIS SHEET SHALL BE USED IN CONJUNCTION WITH STANDARD SHEETS BR-B17A & B THRU BR-B42A & B, BR-B101, BR-B102A & B, BR-B103, BR-B104, BR-B105A & B AND BR-B106 AS APPLICABLE.

### MATERIALS & FABRICATION NOTES

• THE PRESTRESSED CONCRETE BEAMS SHALL CONFORM TO ALL APPLICABLE PROVISIONS OF SECTION 603 OF THE STANDARD SPECIFICATIONS.

#### MILD REINFORCEMENT:

• ALL MILD REINFORCING STEEL SHALL BE GRADE 60, DEFORMED BILLET STEEL AND SHALL BE EPOXY COATED EXCEPT WHERE NOTED. ALL UNCOATED REINFORCING SHALL MEET THE REQUIREMENTS OF AASHTO M31. ALL EPOXY COATED REINFORCING SHALL MEET THE REQUIREMENTS OF AASHTO M284, EXCEPT WHERE AMENDED BY SECTION 709.1 OF THE STANDARD SPECIFICATIONS.

• ALL TENSION LAP SPLICES SHALL BE A CLASS B, CONTACT TYPE. MINIMUM LAP SPlice LENGTHS SHALL BE AS GIVEN IN THE "LAP SPlice TABLE", THIS SHEET. ADDITIONALLY, IF LAP SPlicing OF ET, LR, AND BT BARS IS USED, TERMINATION OF THE SPlice SHALL BE NO CLOSER TO THE END OF THE BEAM THAN 1/10 OF THE SPAN LENGTH.

• MINIMUM BAR BENDING DIAMETER SHALL BE 6 BAR DIAMETERS, EXCEPT THAT NO. 4 AD BARS MAY HAVE A MINIMUM BEND DIAMETER OF 4 BAR DIAMETERS.

• MINIMUM CONCRETE COVER SHALL BE AS SPECIFIED IN SECTION 603.5 OF THE STANDARD SPECIFICATIONS, EXCEPT WHERE NOTED ON THE PLANS.

#### PRESTRESSING STRAND:

• ALL PRESTRESSING STEEL SHALL BE 1/2" Ø, GRADE 270, 7 WIRE UNCOATED, LOW-RELAXATION STRAND MEETING THE REQUIREMENTS OF AASHTO M203, SUPPLEMENT 51.

• ALL BEAMS DESIGNED IN THESE STANDARDS UTILIZE STRANDS WITH A NOMINAL AREA OF 0.167 SQ. IN. STRANDS WITH A NOMINAL AREA OF 0.153 SQ. IN. IS PERMITTED FOR INDIVIDUAL OR ALTERNATE DESIGNS, HOWEVER THE DESIGNER IS ENCOURAGED TO USE THE LARGER STRAND FOR UNIFORMITY REASONS. IN NO CASES WILL STRESS-RELIEVED STRAND BE PERMITTED.

• ALL STRANDS SHALL BE ENCLOSED INSIDE THE STIRRUP CAGE FOR THE FULL LENGTH OF THE BEAM.

• ALL EXPOSED PRESTRESSING STRAND AT EACH BEAM END SHALL BE SHOP COATED WITH A LIQUID COLD-APPLIED BITUMINOUS ELASTOMERIC WATERPROOFING MEMBRANE. MATERIAL SHALL MEET ASTM C836-84.

#### CONCRETE:

• ALL CONCRETE USED IN MANUFACTURING PRESTRESSED CONCRETE BEAMS SHALL MEET THE REQUIREMENTS OF SECTION 603.6 OF THE STANDARD SPECIFICATIONS. DESIGN STRENGTHS SHALL MEET OR EXCEED THE MINIMUM VALUES SET FORTH IN THESE PLANS.

• ALL CONCRETE USED IN PARAPETS AND CURBS SHALL BE CLASS K CONCRETE.

#### ELASTOMERIC BEARING PADS:

• ALL BEARING PADS SHALL MEET THE APPLICABLE REQUIREMENTS AS SET FORTH IN SECTION 18.2 OF THE AASHTO LRFD BRIDGE CONSTRUCTION SPECIFICATIONS, 1998 EDITION WITH CURRENT INTERIMS. ALL BEARINGS SHALL BE STEEL REINFORCED LAMINATED BEARINGS.

• THE ELASTOMER MATERIAL SHALL BE 60 DUROMETERS WITH A MINIMUM LOW TEMPERATURE GRADE OF J (ZONE C).

• ALL STEEL REINFORCING SHALL MEET THE REQUIREMENTS OF AASHTO M270, GRADE 36.

#### GUARDRAIL, GUARDRAIL POSTS, TUBING & INSERTS:

• ALL W-BEAM GUARDRAIL AND ATTACHMENT HARDWARE SHALL BE IN ACCORDANCE WITH SECTION 712.4 OF THE STANDARD SPECIFICATIONS. GUARDRAIL POSTS, STRUCTURAL TUBING, POST ATTACHMENT INSERTS, AND HARDWARE SHALL MEET THE LISTED MATERIAL AND COATING SPECIFICATIONS:

ITEM	DESCRIPTION	MATERIAL SPEC.	COATING SPEC.
POST	W6x25	AASHTO M270, GR 36	AASHTO M111
PLATE	1/2" x 7'	AASHTO M270, GR 36	AASHTO M111
TUBING	15 Bx4x3/16	ASTM A500, GR B	AASHTO M111
CHANNEL	C7x9.8	AASHTO M270, GR 36	AASHTO M111
FERRULE	TYPE 2A 1/2" Ø x 2 1/2' MIN LEN.	ASTM A108 (1017 STEEL)	AASHTO M232
WIRE	ANCHOR 3/8" Ø	ASTM A510 (1018 STEEL)	AASHTO M232
STUDS	1/2" Ø x 8" LONG	ASTM A108 (1045 C.D. STEEL)	AASHTO M232
NUTS	1/2" Ø	ASTM A108 (1018 STEEL)	AASHTO M232
COUPLERS	TYPE 1A 1/2" Ø x 5" LONG	ASTM A108 (10214 STEEL)	AASHTO M232
BOLTS	ANCHOR 1/2" Ø x 12" LONG	AASHTO M164 (TYPE 1, HH)	AASHTO M232
BOLTS	3/8" Ø x ALL LEN.	AASHTO M164 (TYPE 1, HH)	AASHTO M232
NUTS	3/8" Ø	AASHTO M291, CLASS C	AASHTO M232
WASHERS	ALL	AASHTO M293	AASHTO M232

#### WELDING:

• TACK WELDING OF REINFORCEMENT IS NOT PERMITTED. REINFORCING CAGES AND LONGITUDINAL STEEL SHALL BE ADEQUATELY TIED WITH APPROVED MEANS TO PREVENT RACKING AND MISALIGNMENT.

• ALL WELDING OF FABRICATED ITEMS, AS SHOWN IN THESE PLANS SHALL BE IN ACCORDANCE WITH ALL APPLICABLE PROVISIONS OF AASHTO/AWS D15, 2002.

#### POST-TENSIONING BARS:

• POST-TENSIONING THREAD BARS SHALL BE ONE INCH DIAMETER, 150 KSI STEEL, AND SHALL CONFORM TO AASHTO M275, TYPE 8. STEEL THREAD BARS SHALL BE DESIGNED TO ALLOW THE USE OF HEAVY HEX NUTS AND COUPLERS THAT THREAD ONTO THE END OF THE DEFORMATIONS. HEAVY HEX NUTS AND COUPLERS SHALL BE OF A DESIGN AND MATERIAL RECOMMENDED BY THE BAR MANUFACTURER TO DEVELOP THE FULL TENSILE STRENGTH OF THE BAR. PROPERLY DOCUMENTED CERTIFIED MILL TEST REPORTS SHALL BE PROVIDED FOR EACH HEAT OF STEEL THREAD BARS.

• ALL POST-TENSIONING THREAD BARS, NUTS, BEARING PLATES, COUPLERS, AND ANCILLARY HARDWARE SHALL BE HOT-DIPPED GALVANIZED IN ACCORDANCE WITH AASHTO M111. THE GALVANIZING PLANT SHALL ADMINISTER ADEQUATE QUALITY CONTROL MEASURES TO SAFEGUARD AGAINST HYDROGEN EMBRITTLEMENT. QUALITY CONTROL MEASURES SHALL COMPLY WITH ASTM A-143. CERTIFICATION FOR HOT-DIP GALVANIZING SHALL BE PROVIDED BY THE GALVANIZING PLANT.

• ALL POST-TENSIONING BEARING PLATES SHALL CONFORM TO AASHTO M270, GRADE 36.

#### SHEAR KEY GROUT:

• SHEAR KEY GROUT SHALL BE A GROUT THAT IS RECOMMENDED BY THE MANUFACTURER FOR A POURABLE GROUT APPLICATION AND THAT BASED ON THE MANUFACTURER'S TEST DATA WILL ATTAIN A MINIMUM OF 4500 PSI COMPRESSIVE STRENGTH IN 3 DAYS UNDER CONDITIONS REPRESENTATIVE OF THE CONDITIONS TO BE EXPERIENCED AT THE SITE. THE GROUT MUST BE LISTED ON THE APPROVED LIST OF GROUTS PUBLISHED BY THE WEST VIRGINIA DIVISION OF HIGHWAYS, MATERIALS CONTROL, SOIL AND TESTING DIVISION. THE CONTRACTOR SHALL PRE-TEST THE PROPOSED GROUT FOR COMPRESSIVE STRENGTH AT 3 AND 7 DAYS AND SUBMIT THE RESULTS TO THE BRIDGE PROJECT MANAGER FOR APPROVAL PRIOR TO INSTALLATION OF THE GROUT IN THE STRUCTURE. THE TESTS WILL BE BASED ON A POURABLE CONSISTENCY WITH THE SAME WATER/GROUT MIXTURE RATIO TO BE USED IN THE STRUCTURE.

• THE CONTRACTOR SHALL BE REQUIRED TO SUBMIT FOR EACH PROJECT, THE GROUT PRE-TEST RESULTS OBTAINED IN THE NOTE ABOVE. THE CONTRACTOR SHALL BE REQUIRED TO PERFORM A NEW PRE-TEST AND SUBMISSION FOR APPROVAL UNDER ANY OF THE FOLLOWING CONDITIONS:

- A PERIOD OF 18 MONTHS HAS ELAPSED SINCE LAST PRE-APPROVAL TESTING.
- GROUT MANUFACTURER HAS REVISED OR CHANGED THE GROUT SPECIFICATIONS.
- THE CONTRACTOR ALTERS THE WATER/GROUT MIXTURE RATIO.
- THE CONTRACTOR CHANGES GROUT MANUFACTURER.
- THE CONTRACTOR IS REQUIRED TO COMPLETE THE GROUT STRENGTH TABLE ON BR-B103.

• TEST PROCEDURE FOR DETERMINING THE COMPRESSIVE STRENGTH OF GROUT SHALL USE CUBE SPECIMENS IN ACCORDANCE WITH ASTM C109, AS MODIFIED BY ASTM C107. GROUT TESTING IN ACCORDANCE WITH AASHTO T23 (STANDARD CYLINDER TEST) IS NOT ACCEPTABLE.

#### PROTECTIVE SURFACE TREATMENT:

• EACH PRESTRESSED CONCRETE BEAM SHALL BE TREATED BY THE MANUFACTURER AT THE FABRICATION PLANT WITH AN APPROVED CONCRETE SEALER (ISLANE). AN APPROVED LIST OF CONCRETE SEALERS ARE ON FILE AT THE WEST VIRGINIA DIVISION OF HIGHWAYS, MATERIALS CONTROL, SOIL AND TESTING DIVISION. COVERAGE SHALL INCLUDE TOP AND BOTTOM OF INTERIOR BEAMS, AND TOP, BOTTOM AND EXTERIOR SIDE OF EXTERIOR BEAM. APPLICATION RATE SHALL BE PER TREATMENT MANUFACTURER'S RECOMMENDATION.

• AFTER COMPLETION OF THE SILANE TREATMENT BY FABRICATOR AND A MAXIMUM OF FIVE WORKING DAYS PRIOR TO SHIPMENT OF THE BEAMS, THE FABRICATOR SHALL BE RESPONSIBLE FOR ABRASIVE BLAST CLEANING TO CLEAN WHITE CONCRETE THE INTERIOR SIDES OF BEAMS FOR THE FULL LENGTH. CLEAN WHITE CONCRETE SHALL MEAN REMOVAL OF ALL DIRT, GREASE, OIL, AND LOOSE CONCRETE LANTAGE AND PROVIDE A ROUGHENED CONCRETE SURFACE. BLASTING MEDIUM SHALL BE APPROVED BY THE DIVISION OF HIGHWAYS.

#### SHOP DRAWINGS:

• THE FABRICATOR SHALL BE RESPONSIBLE FOR THE PREPARATION OF SHOP DRAWINGS IN ACCORDANCE WITH THE WEST VIRGINIA DIVISION OF HIGHWAYS DOCUMENTS, 00-102 AND THE STANDARD SPECIFICATIONS. ADDITIONAL INFORMATION IS PROVIDED IN SECTION 7 OF THE BRIDGE DESIGN MANUAL. SHOP DRAWINGS SHALL INCLUDE THE FABRICATOR'S DETENSIONING PLAN.

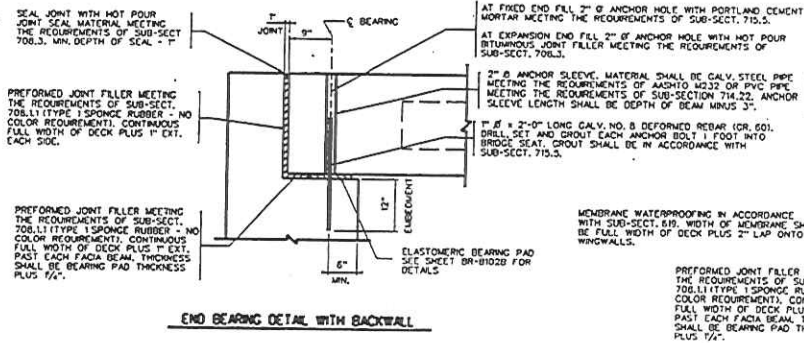
DESIGNED BY: *James B. [Signature]* 10-25-07  
 CHECKED BY: [Signature] 07-02-07  
 WEST VIRGINIA DEPARTMENT OF TRANSPORTATION  
 DIVISION OF HIGHWAYS  
 ENGINEERING DIVISION  
 PRESTRESSED CONCRETE BEAM  
 DESIGN & ASSEMBLY NOTES  
 STANDARD SHEET BR-B100

WEST VIRGINIA DEPARTMENT OF TRANSPORTATION  
 DIVISION OF HIGHWAYS  
 ENGINEERING DIVISION  
 BRIDGE NO. 18-14/1-1.21  
 OVER  
 TRACE FORK  
 ON  
 COUNTY ROUTE 14/1 (SLS)  
 IN  
 JACKSON COUNTY  
 PRESTRESSED CONCRETE BEAM  
 DESIGN & ASSEMBLY NOTES

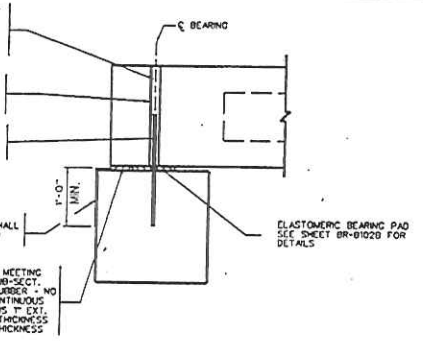
DESIGNED BY/HP	
DRAWN BY/HP	
CHECKED BY/HP	
REVIEWED BY/HP	
DATE	4-12
SCALE	
SHEET NO.	14 of 33
BRIDGE NUMBER	18-14/1-1.21
	11062



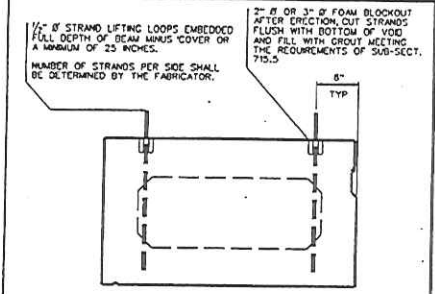
STATE PROJECT NUMBER	FEDERAL PROJECT NUMBER	EDGE DIST. NO.	COUNTY	SHEET NO.	TOTAL SHEETS
5310-14/1-1.10		3	JACKSON	16	33



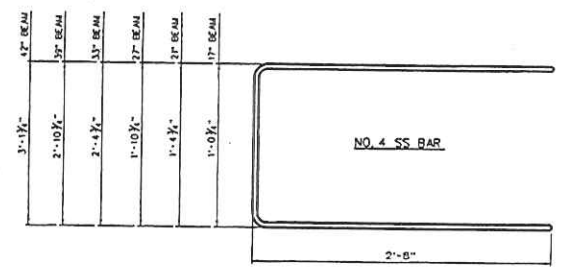
END BEARING DETAIL WITH BACKWALL



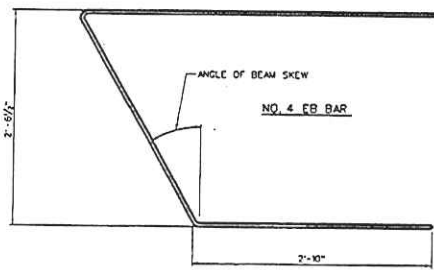
END BEARING DETAIL WITHOUT BACKWALL



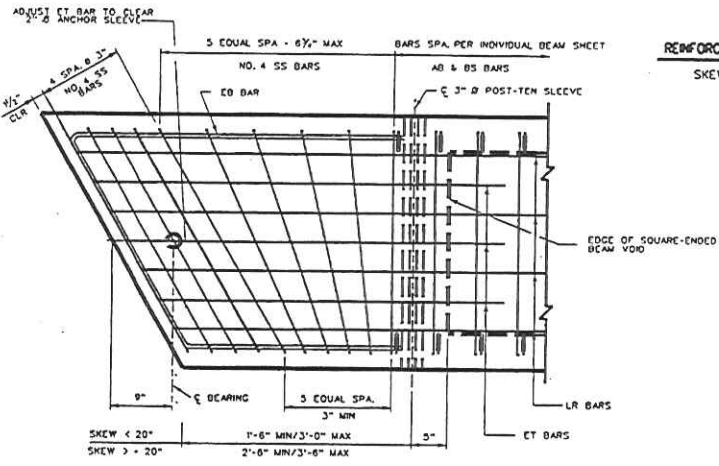
END VIEW



REINFORCING BAR DETAIL SKEWED BEAMS



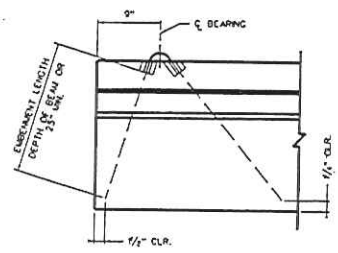
SKEW KEY DETAIL



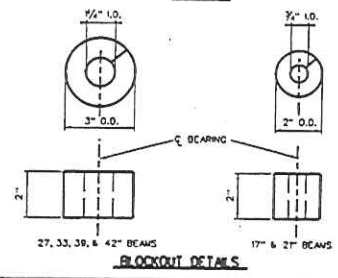
END BLOCK DETAIL - SKEWED BEAMS WO/POST-TEN. ACCESS POCKET

THIS SHEET SHALL BE USED IN CONJUNCTION WITH STANDARD SHEETS BR-B12A & B THRU BR-B12A & B, BR-B100, BR-B101, BR-B102B, BR-B103, BR-B104, BR-B105A & B AND BR-B106 AS APPROPRIATE.

LIFTING DETAILS.



SOE VIEW

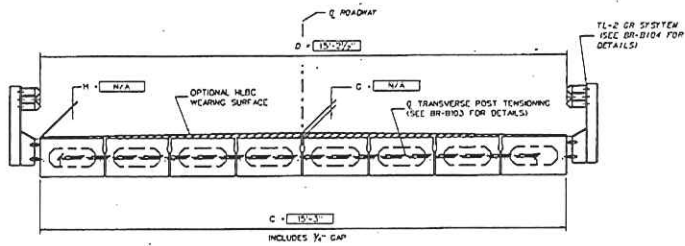


BLOCKOUT DETAILS

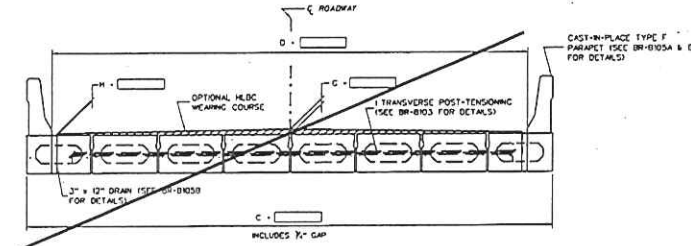
APPROVED: *James D. ...* DATE: 02-07  
 WEST VIRGINIA DEPARTMENT OF TRANSPORTATION DIVISION OF HIGHWAYS ENGINEERING DIVISION  
 PREPARED: 07-02-07  
 PRESTRESSED CONCRETE BEAM SKEWED END REINFORCING MISC. DESIGN AND ASSEMBLY DETAILS  
 STANDARD SHEET BR-B102A

WEST VIRGINIA DEPARTMENT OF TRANSPORTATION DIVISION OF HIGHWAYS ENGINEERING DIVISION  
 BRIDGE NO. 18-14/1-1.21 OVER TRACE FORK ON COUNTY ROUTE 14/1 (SLS) IN JACKSON COUNTY  
 PRESTRESSED CONCRETE BEAM SKEWED END REINFORCING MISC. DESIGN AND ASSEMBLY DETAILS  
 DESIGNED BY: THF / DRAWN BY: THF / CHECKED BY: TW / REVIEWED BY: TW / DATE: 4-12 / SCALE: / SHEET 16 OF 33 / BRIDGE NO. 18-14/1-1.21 / 1002

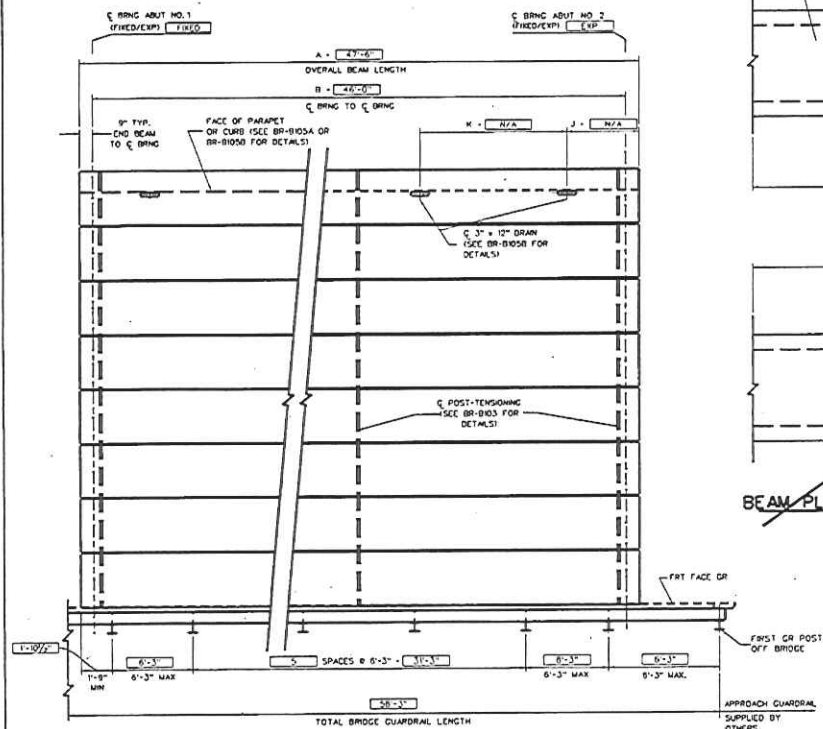
STATE PROJECT NUMBER	FEDERAL PROJECT NUMBER	STATE DIST. NO.	COUNTY	SHEET NO.	TOTAL SHEETS
S318-14/1-1,19	N/A	3	JACKSON	15	33



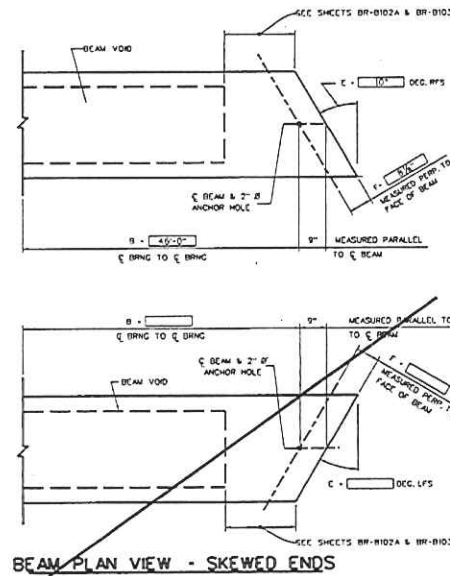
TYPICAL CROSS-SECTION WITH GUARDRAIL



TYPICAL CROSS-SECTION WITH PARAPET OR CURB



DECK PLAN VIEW



BEAM PLAN VIEW - SKEWED ENDS

NOTES:

1. WHEN BRIDGE GUARDRAIL IS TO BE SUPPLIED BY THE BEAM FABRICATOR, COST OF ALL BRIDGE GUARDRAIL ITEMS TO INCLUDE POSTS, RAIL ELEMENTS, ATTACHMENT HARDWARE, AND MISCELLANEOUS ITEMS NEEDED TO COMPLETELY INSTALL BRIDGE GUARDRAIL SHALL BE INCLUDED IN ITEM #03016 "PRESTRESSED CONCRETE BOX BEAM."
2. THIS SHEET SHALL BE USED IN CONJUNCTION WITH STANDARD SHEETS BR-B17A & B THRU BR-B42A & B, BR-B100, BR-B102A & B, BR-B103, BR-B104, BR-B105A & B AND BR-B106.

CONTROL DIMENSIONS		
DESCRIPTION	CODE	VALUE
OVERALL BEAM LENGTH	A	47'-6"
SPAN LENGTH, $\epsilon$ BEARING TO $\epsilon$ BEARING	B	46'-0"
SUPERSTRUCTURE WIDTH - OUT TO OUT	C	15'-3"
ROADWAY WIDTH - FACE OF PARAPET TO FACE OF PARAPET	D	15'-2 1/2"
NUMBER OF BEAMS REQUIRED	—	5
BEAM SIZE (WIDTH x DEPTH)	—	36" X 21"
SKEW ANGLE (NORMAL, DEG. RFS OR DEG. LFS)	C	10° RF
PERPENDICULAR DISTANCE FROM FACE OF BEAM TO $\epsilon$ BEARING	F	9"
HIBC WEARING COURSE REQUIRED (YES/NO)	—	NO
THICKNESS OF WEARING COURSE @ $\epsilon$ OF DECK OR ROADWAY	G	N/A
THICKNESS OF WEARING COURSE @ EDGE OF DECK OR PARAPET	H	N/A
TL-2 BRIDGE GUARDRAIL SYSTEM REQUIRED (YES/NO)	—	YES
FABRICATOR TO SUPPLY TL-2 BRIDGE GUARDRAIL (YES/NO)	—	YES
FABRICATOR TO INSTALL BRIDGE GUARDRAIL PRIOR TO SHIPMENT (YES/NO) (IF NO, FABRICATOR TO SHIP LOOSE)	—	NO
NUMBER OF GUARDRAIL POST INSERTS REQUIRED PER SIDE	—	8
TYPE F PARAPET REQUIRED (YES/NO)	—	NO
DRAINS REQUIRED (YES/NO)	—	NO
NUMBER OF DRAINS REQUIRED PER SIDE	—	0
10" CURB REQUIRED (YES/NO)	—	NO

ESTIMATE OF QUANTITIES			
ITEM NO.	DESCRIPTION	UNITS	QUANTITY
03016-01	PRESTRESSED CONCRETE BOX BEAM	LF	237.5

DESIGNED BY: <i>David R. ...</i>	DATE: 07-02-07
CHECKED BY: <i>...</i>	DATE: 07-02-07
DESIGN AND ASSEMBLY NOTES	
STANDARD SHEET BR-B101	

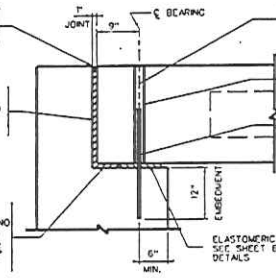
WEST VIRGINIA DEPARTMENT OF TRANSPORTATION DIVISION OF HIGHWAYS ENGINEERING DIVISION	
BRIDGE NO. 18-14/1-1.21 OVER TRACE FORK ON COUNTY ROUTE 14/1 (SLS) IN JACKSON COUNTY	
DESIGNED BY: <i>...</i>	DATE: 4-12
DRAWN BY: <i>...</i>	SCALE: <i>...</i>
CHECKED BY: <i>...</i>	SHEET NO. 15 of 33
REVIEWED BY: <i>...</i>	BRIDGE NUMBER 18-14/1-1.21
	11062
PRESTRESSED CONCRETE BEAM DESIGN & ASSEMBLY NOTES	

STATE PROJECT NUMBER	FEDERAL PROJECT NUMBER	STATE DIST. NO.	COUNTY	SHEET NO.	TOTAL SHEETS
5318-14/1-1.19		3	JACKSON	16	33

SEAL JOINT WITH HOT POUR JOINT SEAL MATERIAL MEETING THE REQUIREMENTS OF SUB-SECT. 708.3. MIN. DEPTH OF SEAL - 1"

PREFORMED JOINT FILLER MEETING THE REQUIREMENTS OF SUB-SECT. 708.11 (TYPE 1 SPONGE RUBBER - NO COLOR REQUIREMENT). CONTINUOUS FULL WIDTH OF DECK PLUS 1" EXT. EACH SIDE.

PREFORMED JOINT FILLER MEETING THE REQUIREMENTS OF SUB-SECT. 708.11 (TYPE 1 SPONGE RUBBER - NO COLOR REQUIREMENT). CONTINUOUS FULL WIDTH OF DECK PLUS 1" EXT. PAST EACH FADA BEAM. THICKNESS SHALL BE BEARING PAD THICKNESS PLUS 1/4".



END BEARING DETAIL WITH BACKWALL

AT FIXED END FILL 2" OF ANCHOR HOLE WITH PORTLAND CEMENT MORTAR MEETING THE REQUIREMENTS OF SUB-SECT. 715.5.

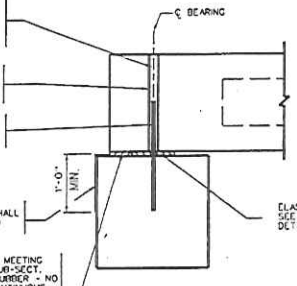
AT EXPANSION END FILL 2" OF ANCHOR HOLE WITH HOT POUR BITUMINOUS JOINT FILLER MEETING THE REQUIREMENTS OF SUB-SECT. 708.3.

2" Ø ANCHOR SLEEVE. MATERIAL SHALL BE GALV. STEEL PIPE MEETING THE REQUIREMENTS OF ASD-10 W32 OR PVC PIPE MEETING THE REQUIREMENTS OF SUB-SECTION 714.2. ANCHOR SLEEVE LENGTH SHALL BE DEPTH OF BEAM MINUS 3".

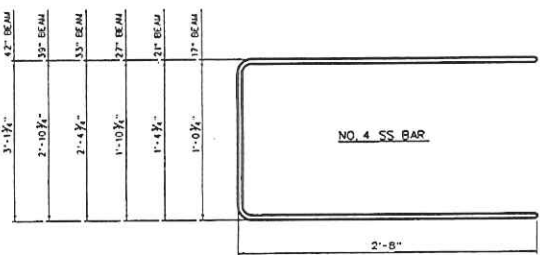
1" Ø x 2'-0" LONG GALV. NO. 8 DEFORMED REBAR (GR. 60). DRILL, SET AND GROUT EACH ANCHOR BOLT 1 FOOT INTO BRIDGE SEAT. POINT SHALL BE IN ACCORDANCE WITH SUB-SECT. 715.5.

MEMBRANE WATERPROOFING IN ACCORDANCE WITH SUB-SECT. 819. WIDTH OF MEMBRANE SHALL BE FULL WIDTH OF DECK PLUS 2" LAP ONTO WINDWALLS.

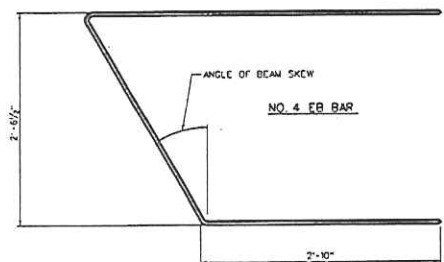
PREFORMED JOINT FILLER MEETING THE REQUIREMENTS OF SUB-SECT. 708.11 (TYPE 1 SPONGE RUBBER - NO COLOR REQUIREMENT). CONTINUOUS FULL WIDTH OF DECK PLUS 1" EXT. PAST EACH FADA BEAM. THICKNESS SHALL BE BEARING PAD THICKNESS PLUS 1/4".



END BEARING DETAIL WITHOUT BACKWALL



REINFORCING BAR DETAIL SKEWED BEAMS

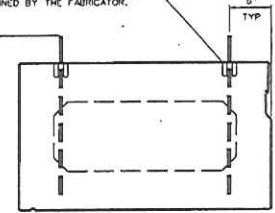


LENG. DETAILS.

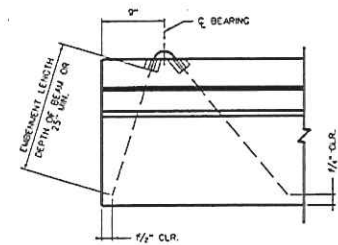
2" Ø OR 3" Ø FOAM BLOCKOUT AFTER ERECTION. CUT STRANDS FLUSH WITH BOTTOM OF VOID AND FILL WITH GROUT MEETING THE REQUIREMENTS OF SUB-SECT. 715.5.

1/2" Ø STRAND LIFTING LOOPS EMBEDDED FULL DEPTH OF BEAM MINUS COVER ON A MINIMUM OF 25 INCHES.

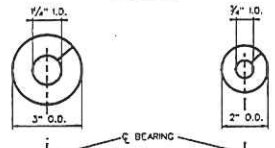
NUMBER OF STRANDS PER SIDE SHALL BE DETERMINED BY THE FABRICATOR.



END VIEW

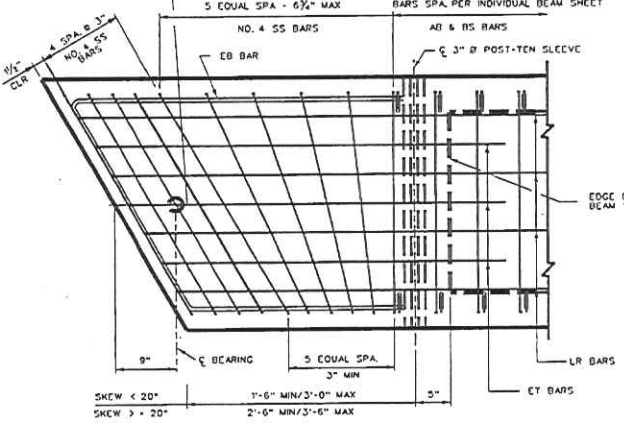


SIDE VIEW

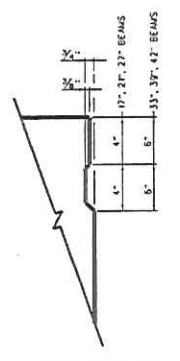


BLOCKOUT DETAILS

ADJUST ET BAR TO CLEAR 1/2" ANCHOR SLEEVE



END BLOCK DETAIL - SKEWED BEAMS W/O POST-TEN. ACCESS POCKET



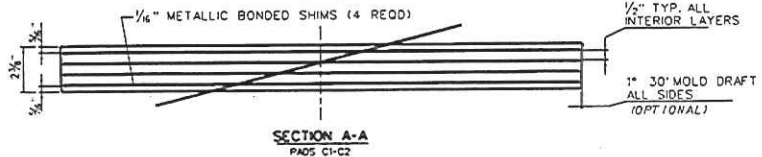
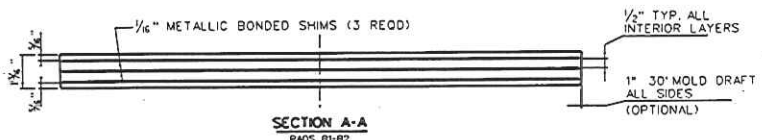
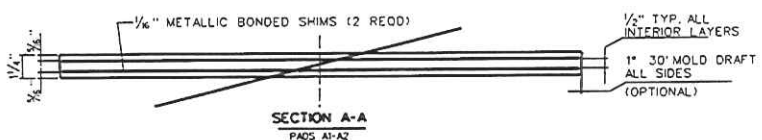
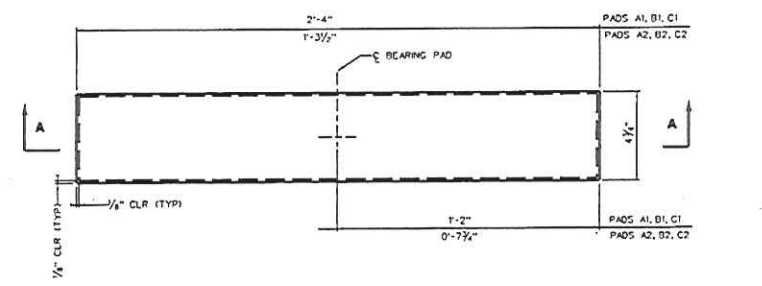
SEAR KEY DETAIL

THIS SHEET SHALL BE USED IN CONJUNCTION WITH STANDARD SHEETS BR-B17A & B THRU BR-B42A & B, BR-B100, BR-B101, BR-B102B, BR-B103, BR-B104, BR-B105A & B AND BR-B106 AS APPROPRIATE.

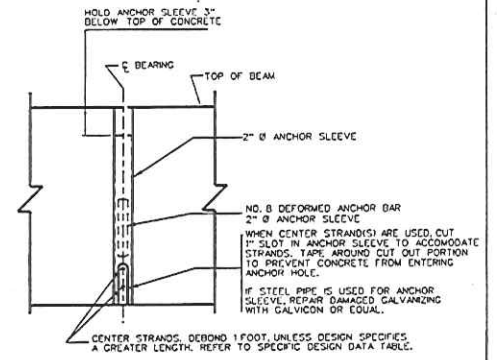
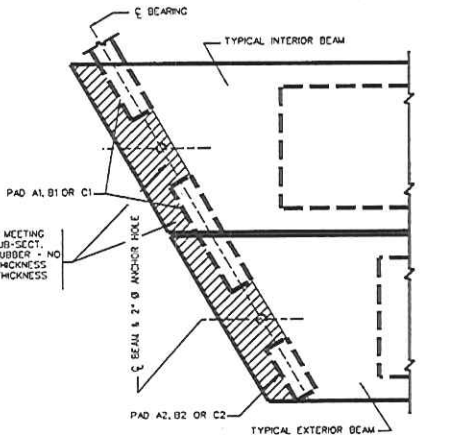
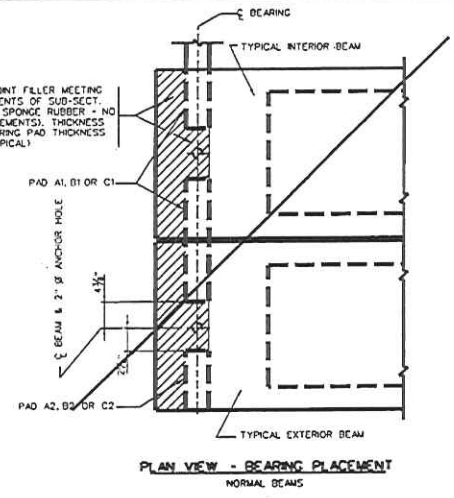
APPROVED: <i>James Ball</i>	DATE: 10-23-07
WEST VIRGINIA DEPARTMENT OF TRANSPORTATION DIVISION OF HIGHWAYS ENGINEERING DIVISION	PREPARED: 07-02-07
PRESTRESSED CONCRETE BEAM SKEWED END REINFORCING MISC. DESIGN AND ASSEMBLY DETAILS	
STANDARD SHEET BR-B102A	

WEST VIRGINIA DEPARTMENT OF TRANSPORTATION DIVISION OF HIGHWAYS ENGINEERING DIVISION	
BRIDGE NO. 18-14/1-1.21 OVER TRACE FORK ON COUNTY ROUTE 14/1 (SL) IN JACKSON COUNTY	DESIGNED BY: THW/ DRAWN BY: THW/ CHECKED BY: TW/ REVIEWED BY: TW/ DATE: 4-12 SCALE:
PRESTRESSED CONCRETE BEAM SKEWED END REINFORCING MISC. DESIGN AND ASSEMBLY DETAILS	SHEET 16 OF 33 BRIDGE NO. 18-14/1-1.21 1002

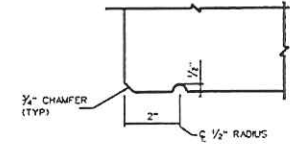
STATE PROJECT NUMBER	FEDERAL PROJECT NUMBER	STATE DIST. NO.	COUNTY	SHEET NO.	TOTAL SHEETS
5318-14/1-1.10		3	JACKSON	17	33



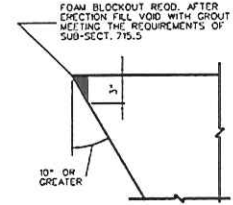
PERFORMED JOINT FILLER MEETING THE REQUIREMENTS OF SUB-SECT. 708.11 (TYPE 1 SPONGE RUBBER - NO COLOR REQUIREMENTS). THICKNESS SHALL BE BEARING PAD THICKNESS PLUS 1/4". (TYPICAL)



ANCHOR SLEEVE DETAIL



DRP GROOVE DETAIL EXTERIOR BEAMS



SKIEW BLOCKOUT DETAIL

BOX BEAM BEARING PAD CONTROL DIMENSIONS								
PAD	LENGTH	WIDTH	HEIGHT	NO. SHIMS	SHIM SIZE	SPAN RANGES	MAXIMUM REACTION	MAXIMUM MOVEMENT ONE DIRECTION
A1	4 1/2"	28"	1 1/4"	2	1/4" x 4 1/2" x 2'-3 1/2"	20' - 38'	55 KIPS	0.39"
B1	4 1/2"	28"	1 1/4"	3	1/4" x 4 1/2" x 2'-3 1/2"	40' - 78'	75 KIPS	0.80"
C1	4 1/2"	28"	2 3/4"	4	1/4" x 4 1/2" x 2'-3 1/2"	80' - 100'	89 KIPS	1.02"
A2	4 1/2"	15 1/2"	1 1/4"	2	1/4" x 4 1/2" x 1'-3 1/2"	20' - 38'	28 KIPS	0.39"
B2	4 1/2"	15 1/2"	1 1/4"	3	1/4" x 4 1/2" x 1'-3 1/2"	40' - 78'	38 KIPS	0.80"
C2	4 1/2"	15 1/2"	2 3/4"	4	1/4" x 4 1/2" x 1'-3 1/2"	80' - 100'	45 KIPS	1.02"

NOTES:

- ELASTOMERIC BEARING PADS ARE DESIGNED IN ACCORDANCE WITH DESIGN METHOD B CONTAINED IN SECTION 14 OF THE AASHTO LRFD BRIDGE DESIGN SPECIFICATIONS. FABRICATION SHALL BE IN ACCORDANCE WITH SECTION 10 OF THE AASHTO LRFD BRIDGE CONSTRUCTION SPECIFICATIONS.
- ALL BEARINGS ARE DESIGNED FOR A LOW TEMPERATURE ZONE C AND SHALL HAVE A DUROMETER HARDNESS OF 60. METALLIC REINFORCEMENT SHALL HAVE A MINIMUM YIELD STRENGTH OF 35 KSI.
- BEARING PADS ARE DESIGNED FOR ZERO BRIDGE GRADE. FOR BRIDGE GRADES GREATER THAN 5%, PADS SHALL BE SPECIFICALLY DESIGNED FOR THE GRADE. AS AN ALTERNATE, CAST-IN-PLACE BEVELED SOLE PLATES MAY BE USED.
- DESIGNER, FABRICATOR AND ERECTOR SHALL BE AWARE THAT SKEWED END BEAMS MAY TWIST OR WARP, CAUSING UNEVEN BEAM SEATING AT THE BEARINGS. THE CONTRACTOR IS REQUIRED TO CORRECT AT THE TIME OF ERECTION BEFORE THE BEAMS ARE SECURED IN PLACE. METHOD OF CORRECTION SHALL PROVIDE AN EVEN, TOTAL BEARING AND A LEVEL TOP BEAM SURFACE. TOLERANCE AFTER CORRECTION SHALL BE 1/8 INCH. THE FABRICATOR SHALL NOTIFY THE CONTRACTOR AND DESIGNER IF CORRECTIONS ARE REQUIRED PRIOR TO SHIPMENT.
- FOR BEAMS WITH STEPPED ENDS USE PADS A2, B2, OR C2 ON BOTH SIDES OF EACH BEAM.
- ELASTOMERIC BEARING PADS SHALL BE INCLUDED IN THE PRICE OF THE BEAMS.
- THIS SHEET SHALL BE USED IN CONJUNCTION WITH STANDARD SHEETS BR-B17A & B THRU BR-B42A & B, BR-B100, BR-B101, BR-B102A, BR-B103, BR-B104, BR-B105A & B AND BR-106 AS APPROPRIATE.

PLAN VIEW - BEARING PLACEMENT SKEWED BEAMS

APPROVED: *[Signature]* DIRECTOR, ENGINEERING DIVISION DATE: 07-02-07

WEST VIRGINIA DEPARTMENT OF TRANSPORTATION DIVISION OF HIGHWAYS ENGINEERING DIVISION

PREPARED: 07-02-07

REVISIONS:

PRESTRESSED CONCRETE BEAM ELASTOMERIC BEARING PAD DETAILS MISC. DESIGN AND ASSEMBLY DETAILS

STANDARD SHEET BR-B102B

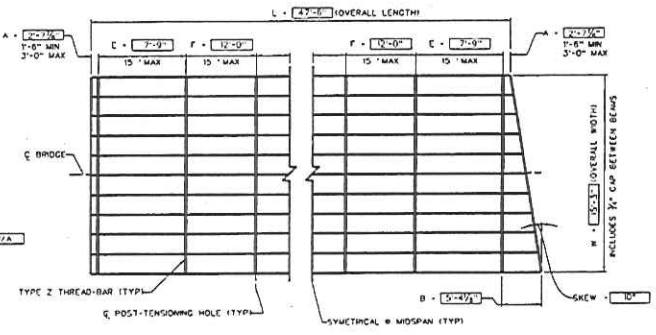
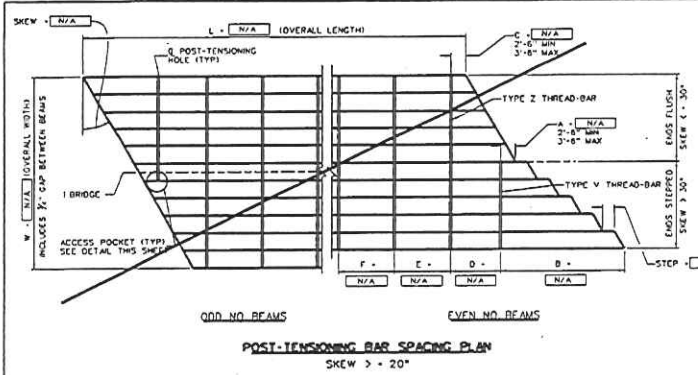
WEST VIRGINIA DEPARTMENT OF TRANSPORTATION DIVISION OF HIGHWAYS ENGINEERING DIVISION

BRIDGE NO. 18-14/1-1.21 OVER TRACE FORK ON COUNTY ROUTE 14/1 (SLS) IN JACKSON COUNTY

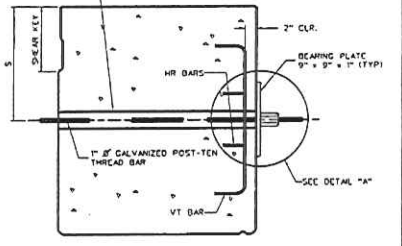
DESIGNED BY: THE/ DRAWN BY: THE/ CHECKED BY: TM/ REVIEWED BY: THE/ DATE: 4-12 SCALE: SHEET 17 of 33 BRIDGE NO. 18-14/1-1.21 1062

PRESTRESSED CONCRETE BEAM ELASTOMERIC BEARING PAD DETAILS MISC. DESIGN AND ASSEMBLY DETAILS

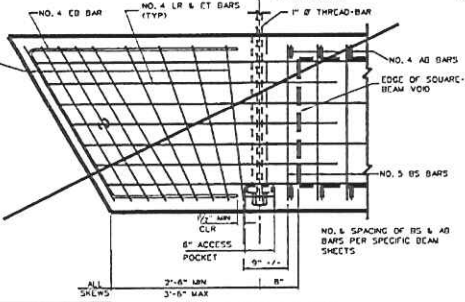
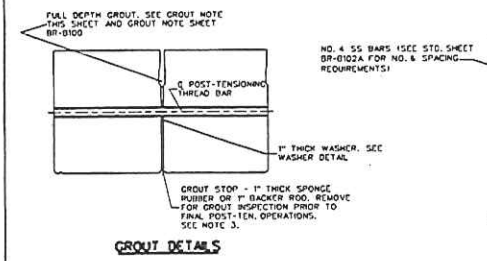
STATE PROJECT NUMBER	FEDERAL PROJECT NUMBER	STATE DIST. NO.	COUNTY	SHEET NO.	TOTAL SHEETS
5318-14/1-1,19	N/A	3	JACKSON	18	33



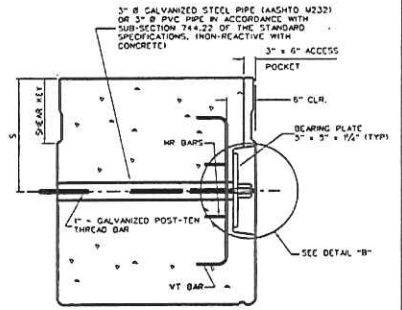
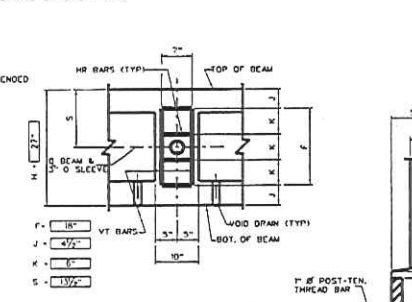
REFER TO STANDARD SHEET BR-B102A FOR SHEAR KEY DETAILS.



POST-TENSIONING BAR DETAILS



POST-TENSIONING BAR SPACING PLAN



ACCESS POCKET END POST-TENSIONING BAR

- PROCEDURE NOTES**
- INSTALL ONE INCH THICK WASHER AND GROUT STOP BY CLING TO ONE SIDE FOR THE ENTIRE LENGTH OF EACH BEAM PRIOR TO SETTING BEAMS. GLUE SHALL BE AN APPROVED CONSTRUCTION TYPE GLUE OR EPOXY ADHESIVE. GROUT STOP MAY BE INSTALLED AFTER BEAMS ARE SET.
  - GLUE A 1/2" x 2" x 2" PIECE OF PRESSURE TREATED PLYWOOD AT EACH THREAD-BAR LOCATION TO INSURE THAT A 1/2" GAP IS OBTAINED. PLYWOOD SPACERS TO BE OFFSET APPROXIMATELY 2 FEET FROM THE THREAD-BAR HOLE AND CENTERED ON THE HOLE DEPTH. PLYWOOD SPACERS ARE REQUIRED ON ONLY ONE BEAM EDGE FACE OF ADJUTING BEAMS. AFTER THE BEAMS ARE SET AND THE THREAD-BARS INSTALLED, PULL THE ENTIRE SUPERSTRUCTURE TOGETHER BY APPLYING A POST-TENSIONING FORCE OF APPROXIMATELY 3000 POUNDS. AT THIS STAGE, THE GAP BETWEEN BEAMS SHALL BE A UNIFORM 1/2" WITH ALL SWEEP REMOVED. RECORD THE ACTUAL FORCE APPLIED.
  - FILL THE GAP BETWEEN BEAMS AND SHEAR KEY FULL DEPTH WITH THE PRE-APPROVED, PRE-TESTED GROUT MIXTURE. FROM EACH BATCH, PREPARE JOB CONTROL GROUT CUBES FOR THREE AND SEVEN DAY TESTS. THESE JOB CONTROL SAMPLES WILL BE USED TO DETERMINE WHEN THE GROUT HAS ATTAINED A MINIMUM COMPRESSIVE STRENGTH OF 4500 PSI. A MINIMUM OF THREE SPECIMENS PER TEST SHALL BE OBTAINED, AND THE AVERAGE OF THE TEST RESULTS USED. ACCEPTANCE SAMPLING AND TESTING OF THE GROUT IS THE RESPONSIBILITY OF THE CONTRACTOR. HOWEVER, A REPRESENTATIVE OF THE WOOD SHALL WITNESS ALL OF THE ACCEPTANCE SAMPLING AND TESTING.
- TEST PROCEDURE SHALL BE ASTM C109 AS MODIFIED BY ASTM C1107. IN NO INSTANCE SHALL THE CONTRACTOR PROCEED WITH POST-TENSIONING OR OTHER BEAM ERECTION PROCEDURES UNTIL THE REQUIRED MINIMUM GROUT STRENGTH IS ATTAINED AND VERIFIED BY THE ENGINEER. IN THE EVENT THAT THE MINIMUM GROUT STRENGTH IS NOT ATTAINED, THE ENGINEER SHALL BE NOTIFIED AND CORRECTIVE ACTION TAKEN AT THE DIRECTION OF THE ENGINEER. SEE SHEAR KEY GROUT NOTE, SHEET BR-B100 FOR ADDITIONAL REQUIREMENTS.
- AFTER THE GROUT HAS REACHED AN INITIAL SET CONDITION AND PRIOR TO ANY FINAL POST-TENSIONING PROCEDURES, THE CONTRACTOR SHALL REMOVE THE GROUT STOP AND INSPECT THE GROUT FOR VOIDS OR OTHER IRREGULARITIES. ANY VOIDS DEEPER THAN 2" FROM THE BOTTOM SHALL BE REROUTED IN A MANNER ACCEPTABLE TO THE ENGINEER.
  - AFTER GROUT AS BEEN PLACED AND REACHED ITS MINIMUM COMPRESSIVE STRENGTH OF 4500 PSI AND HAS CURED A MINIMUM OF 3 DAYS, APPLY 50% OF THE FINAL POST-TENSIONING FORCE TO ALL THREAD-BARS, WORKING BEAM ENDS TO MIDSPAN. AFTER ALL THREAD-BARS HAVE BEEN TENSIONED TO 50%, APPLY THE REMAINING PERCENTAGE OF FINAL POST-TENSIONING FORCE, WORKING IN THE SAME SEQUENCE AS THE FIRST STAGE OF FINAL TENSIONING.
  - MEASURE AND RECORD IN THE ELONGATION TABLE, THIS SHEET, THE ACTUAL TOTAL ELONGATION OF EACH THREAD-BAR. COMPARE THE MEASURED ELONGATION TO THE CALCULATED ELONGATION. A SIGNIFICANT DIFFERENCE BETWEEN MEASURED AND CALCULATED ELONGATIONS COULD INDICATE IMPROPER JACKING TECHNIQUES, FAULTY MATERIALS, FAULTY JACKS, OR IMPROPERLY CALIBRATED JACKS. IF THE DIFFERENCE IS GREATER THAN 10% THEN THE JACK SHALL BE RE-CALCULATED AND THE JACKING TECHNIQUES EVALUATED. IF, AFTER THE ABOVE STEPS ARE TAKEN, THE PERCENTAGE DIFFERENCE IS GREATER THAN 10% THEN THE ENGINEER SHALL BE NOTIFIED AND CORRECTIVE ACTION TAKEN AT THE DIRECTION OF THE ENGINEER. ALL COSTS INVOLVED IN CORRECTION SHALL BE AT THE CONTRACTORS EXPENSE.
  - USING SAW, TRIM EXCESS THREAD-BAR LEAVING 4" TO 6" PAST THE NUT. DO NOT TRIM THREAD-BARS BY TOUCH CUTTING. TOUCH-UP TRIMMED ENDS WITH SALVADOL OR COVAL.
  - INSTALL ANCHOR DOWNLS AS DETAILED ON STANDARD SHEETS BR-B101 AND BR-B102A.

FINAL POST-TENSIONING FORCE  
TYPE 2 BARS = 80 KIPS  
TYPE V BARS = 40 KIPS

**POST-TENSIONING BAR LAYOUT SCHEDULE**

SPAN	45'-0"
SKEW	10° RF
L	47'-6"
W	15'-3"
A	7'-2 1/2"
B	3'-4 1/2"
C	N/A
D	N/A
E	7'-9"
F	12'-0"
STEP	N/A

**DIMENSIONS**

BEAM SIZE	REINFORCEMENT	BAR DIA	SPACING	BAR DIST
M	1	J	K	S
17	17	2 1/2	4	8 1/2
21	12	4 1/2	4	12 1/2
27	18	4 1/2	6	12 1/2
33	24	4 1/2	6	18 1/2
39	30	4 1/2	10	18 1/2
42	33	4 1/2	11	21

**GROUT STRENGTH TABLE**

PRE-TEST STRENGTH	3 DAY (PSI)	7 DAY (PSI)
JOB CONTROL STRENGTH		
GROUT TYPE & MANUFACTURER		

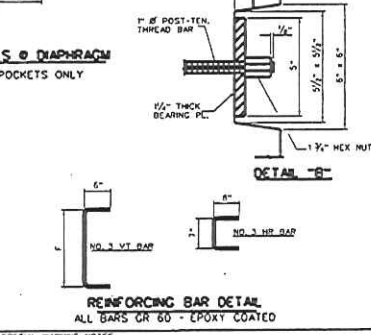
**POST-TENSIONING BAR LENGTH**

BAR	FORMULA	LENGTH
V(EVEN)	4-3	
Z	4-3	10'-3"
V(ODD)	3-4-8"	

**ELONGATION (INCHES)**

BAR	CODE	CALC.	NO. 1	NO. 2	NO. 3	NO. 4	NO. 5	NO. 6	NO. 7	NO. 8	NO.	NO.
Z	(4)											
V	(4)											

CALCULATED BY: WFT/J/24.8 300 NO. BEAMS CALCULATED BY: WFT/J/24.8  
 CALCULATED BY: WFT/J/24.8 300 NO. BEAMS CALCULATED BY: WFT/J/31/24.8



REINFORCING BAR DETAIL

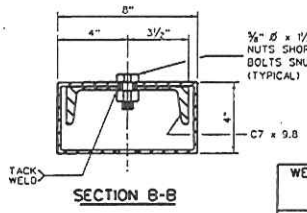
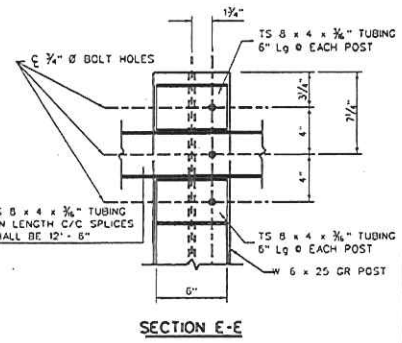
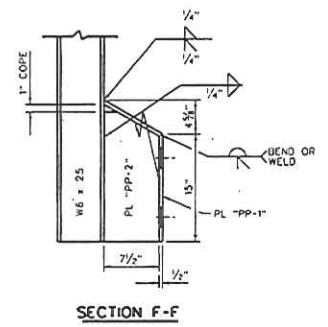
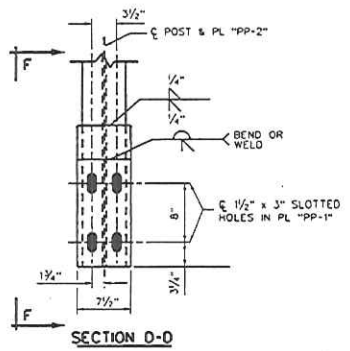
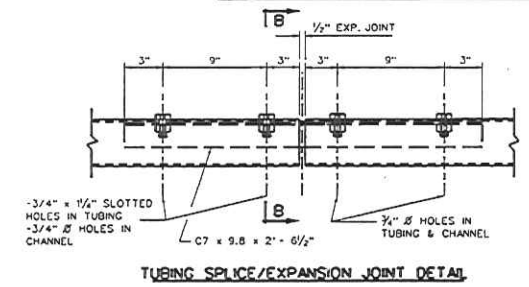
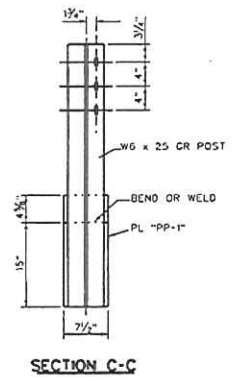
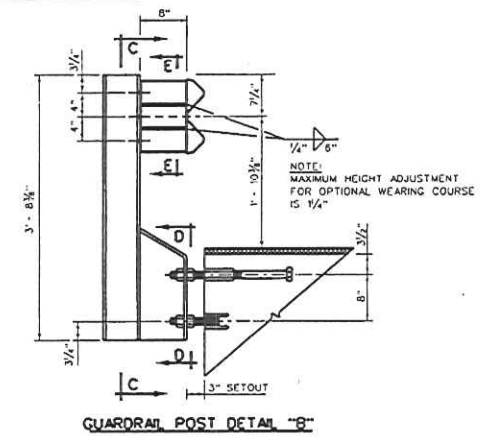
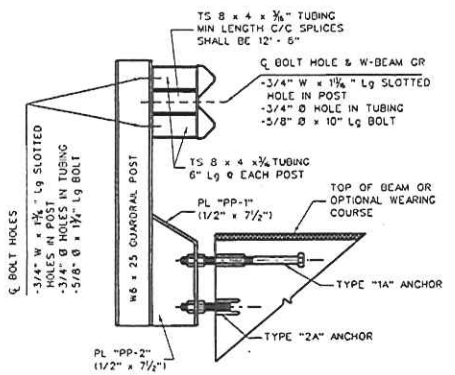
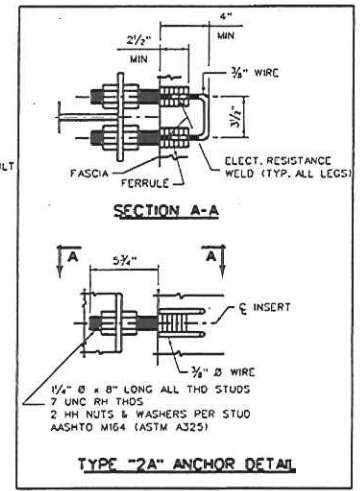
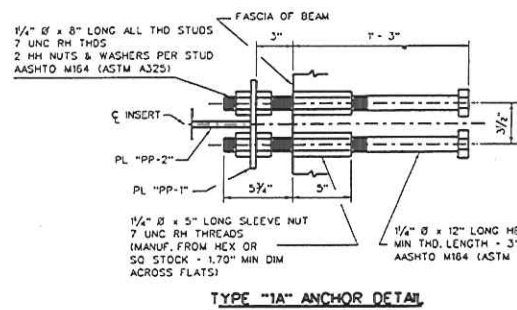
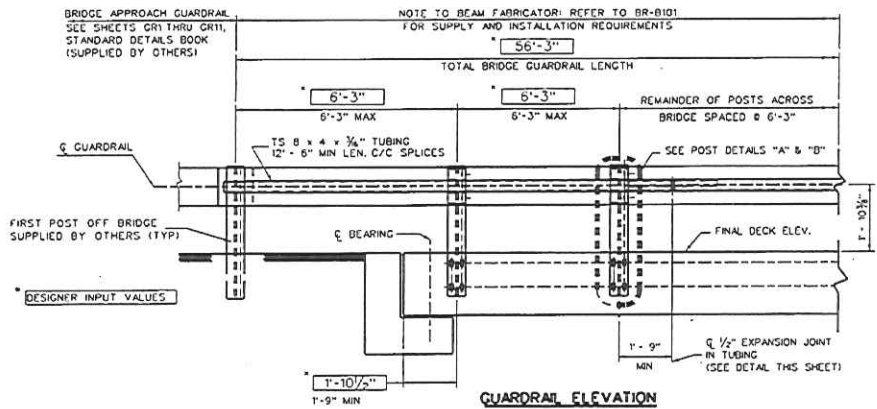
- GENERAL WARNING NOTES**
- DO NOT STAND IN LINE WITH THE POST-TENSIONING BAR DURING TENSIONING PROCEDURES.
  - NUTS, COUPLERS AND EXTENSION RODS USED IN THE POST-TENSIONING WORK SHALL BE THE MATERIAL APPROVED BY THE MANUFACTURER OF THE HIGH STRENGTH POST-TENSIONING RODS. IN NO CASE SHALL THE CONTRACTOR USE NON-APPROVED MATERIAL OR MATERIAL FROM TWO DIFFERENT SOURCES.

WEST VIRGINIA DEPARTMENT OF TRANSPORTATION  
 DIVISION OF HIGHWAYS  
 ENGINEERING DIVISION  
 PRESTRESSED CONCRETE BEAM  
 TRANSVERSE POST-TENSIONING DETAILS  
 STANDARD SHEET BR-B103

WEST VIRGINIA DEPARTMENT OF TRANSPORTATION  
 DIVISION OF HIGHWAYS  
 ENGINEERING DIVISION  
 BRIDGE NO. 18-14/1-1,21  
 OVER  
 TRACE FORK  
 ON  
 COUNTY ROUTE 14/1 (SLS)  
 IN  
 JACKSON COUNTY  
 PRESTRESSED CONCRETE BEAM  
 TRANSVERSE POST-TENSIONING DETAILS

DESIGNED BY: TWB  
 DRAWN BY: TWB  
 CHECKED BY: TWB  
 REVIEWED BY: TWB  
 DATE: 4-12  
 SCALE:  
 SHEET NO. 18 OF 33  
 PROJECT NUMBER 18-14/1-1,21  
 1062

STATE PROJECT NUMBER	FEDERAL PROJECT NUMBER	STATE DIST. NO.	COUNTY	SHEET NO.	TOTAL SHEETS
S318-14/1-1.19		3	JACKSON	19	33



PRESTRESSED CONCRETE BEAM TYPE TL-2 GUARDRAIL SYSTEM DESIGN & ASSEMBLY DETAILS STANDARD SHEET BR-B104

WEST VIRGINIA DEPARTMENT OF TRANSPORTATION DIVISION OF HIGHWAYS ENGINEERING DIVISION

BRIDGE NO. 18-14/1-1.21 OVER TRACE FORK ON COUNTY ROUTE 14/1 (SLS) IN JACKSON COUNTY

PRESTRESSED CONCRETE BEAM TYPE TL-2 GUARDRAIL SYSTEM DESIGN & ASSEMBLY DETAILS

DESIGNED BY: [Signature]

CHECKED BY: [Signature]

REVIEWED BY: [Signature]

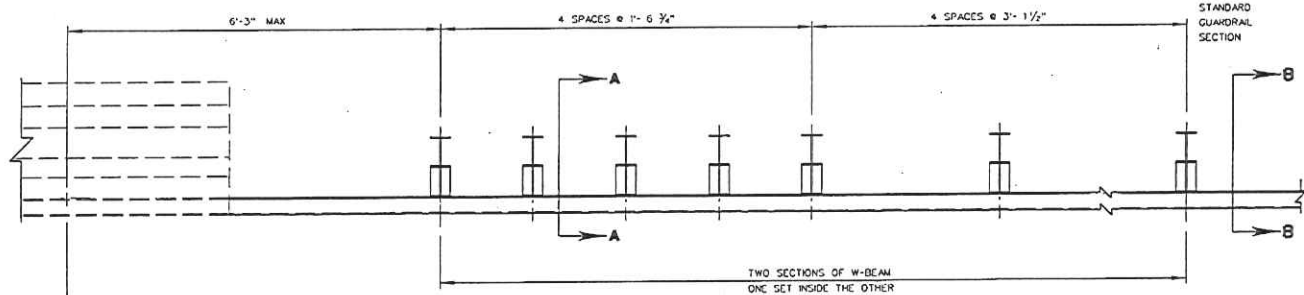
DATE: 4-12

SCALE:

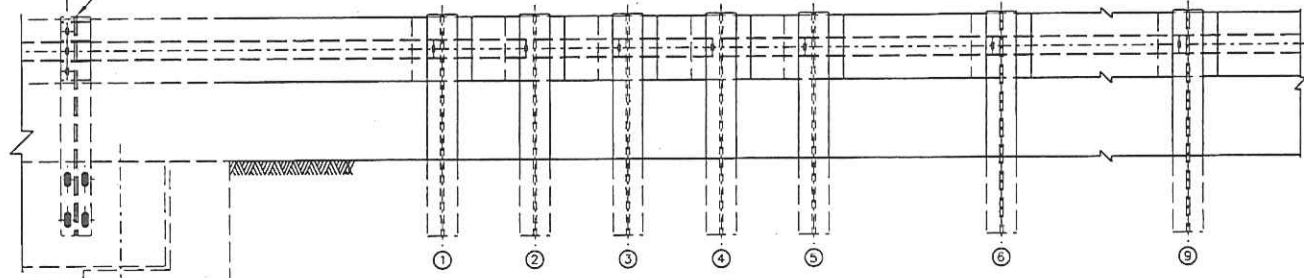
SHEET NO. 19 OF 33

PROJECT NUMBER 18-14/1.21 11062

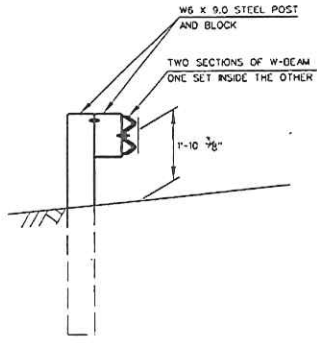
PROJECT NUMBERS		DISTRICT	COUNTY	SHEET NO.	TOTAL
STATE	FEDERAL				
S318-14/1-1.19		3	JACKSON	20	33



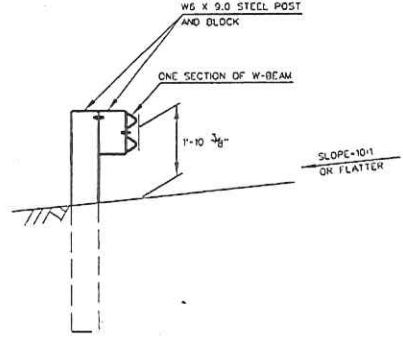
**PLAN**



**ELEVATION**



**SECTION A-A**



**SECTION B-B**

**NOTES**

1. THIS GUARDRAIL TRANSITION IS APPROPRIATE FOR CONNECTION TO GUARDRAIL ON BRIDGE.
2. W-BEAM IS NOT BOLTED TO POSTS AT POSTS 2 THROUGH 4 AND POST 5.
3. SEE STANDARD SHEET BR-B104 FOR ANCHOR DETAILS.
4. THERE IS NO SEPARATE PAY ITEM FOR THIS CONNECTION AND ALL COMPONENTS AS DETAILED HEREIN SHALL BE INCLUDED IN THE CONTRACT PRICE FOR GUARDRAIL.

THIS SHEET SHALL BE USED IN CONJUNCTION WITH STANDARD SHEETS BR-B17A & B THRU BR-B42A & B, BR-B100, BR-B101, BR-B102A & B, BR-B103 AND BR-B104 AS APPLICABLE.

APPROVED: *James B. ...* DIRECTOR, ENGINEERING DIVISION

WEST VIRGINIA DEPARTMENT OF TRANSPORTATION  
DIVISION OF HIGHWAYS  
ENGINEERING DIVISION

PREPARED: 07-02-07

PRESSRESSED CONCRETE BEAM  
TYPE TL-2 GUARDRAIL SYSTEMS  
DESIGN & ASSEMBLY DETAILS

STANDARD SHEET BR-B106

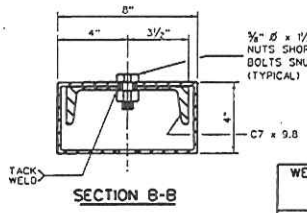
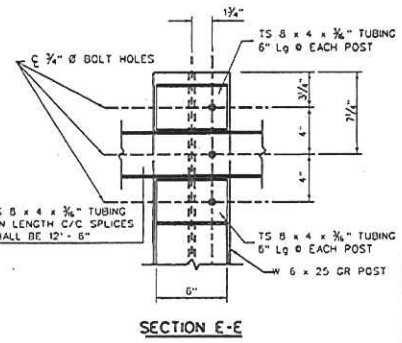
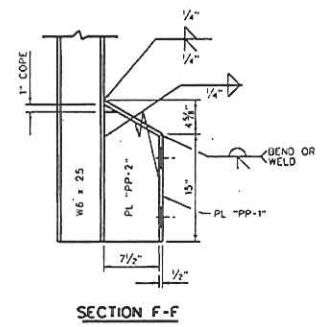
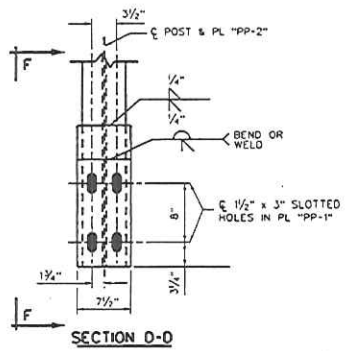
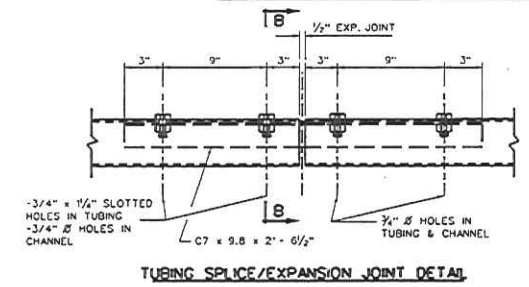
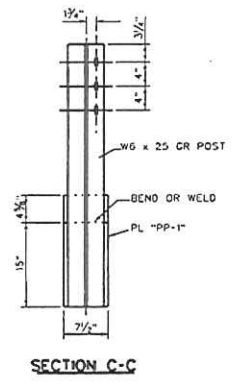
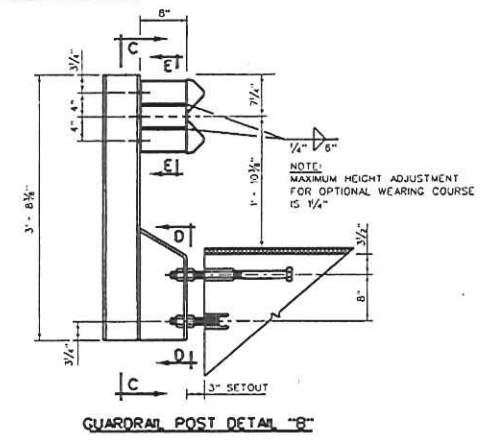
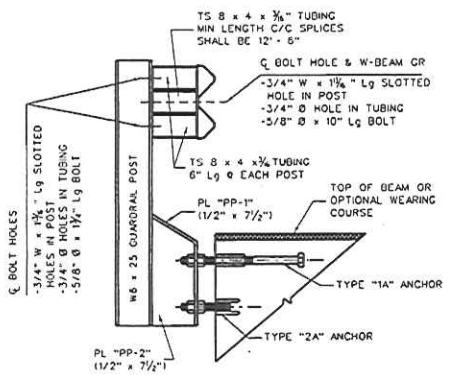
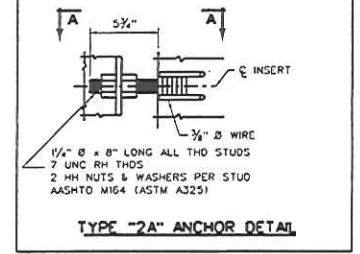
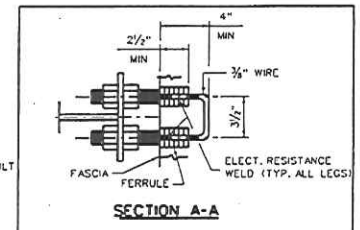
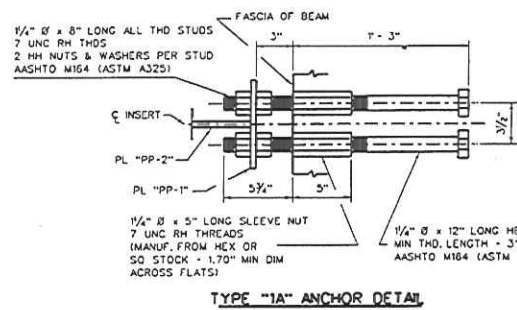
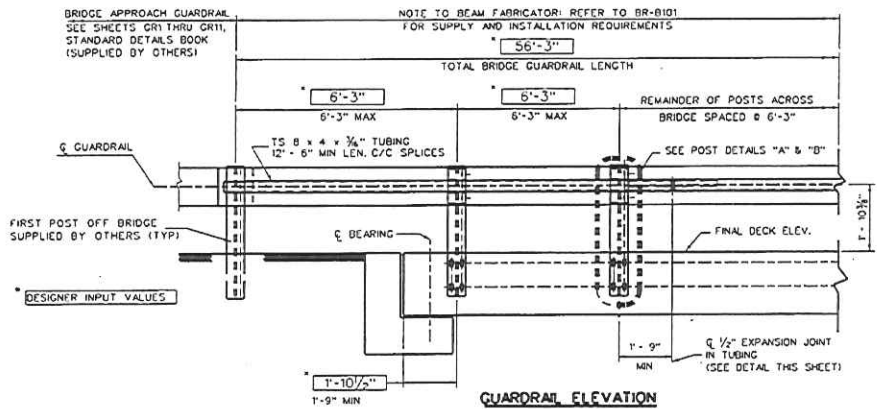
WEST VIRGINIA DEPARTMENT OF TRANSPORTATION  
DIVISION OF HIGHWAYS  
ENGINEERING DIVISION

BRIDGE NO. 18-14/1-1.21  
OVER  
TRACE FORK  
ON  
COUNTY ROUTE 14/1 (SLS)  
IN  
JACKSON COUNTY

DESIGNED BY: TW  
DRAWN BY: SHW  
CHECKED BY: TW  
REVIEWED BY: THG  
DATE: 4-12  
SCALE:  
SHEET 20 of 33  
BRIDGE NO. 18-14/1-1.21  
1087

TYPE TL-2 GUARDRAIL TRANSITION

STATE PROJECT NUMBER	FEDERAL PROJECT NUMBER	STATE DIST. NO.	COUNTY	SHEET NO.	TOTAL SHEETS
S318-14/1-1.19		3	JACKSON	19	33



THIS SHEET SHALL BE USED IN CONJUNCTION WITH STANDARD SHEETS BR-B17A & B THRU BR-B42A & B, BR-B100, BR-B101, BR-B102A & B, AND BR-B103 AS APPLICABLE.

WEST VIRGINIA DEPARTMENT OF TRANSPORTATION  
DIVISION OF HIGHWAYS  
ENGINEERING DIVISION

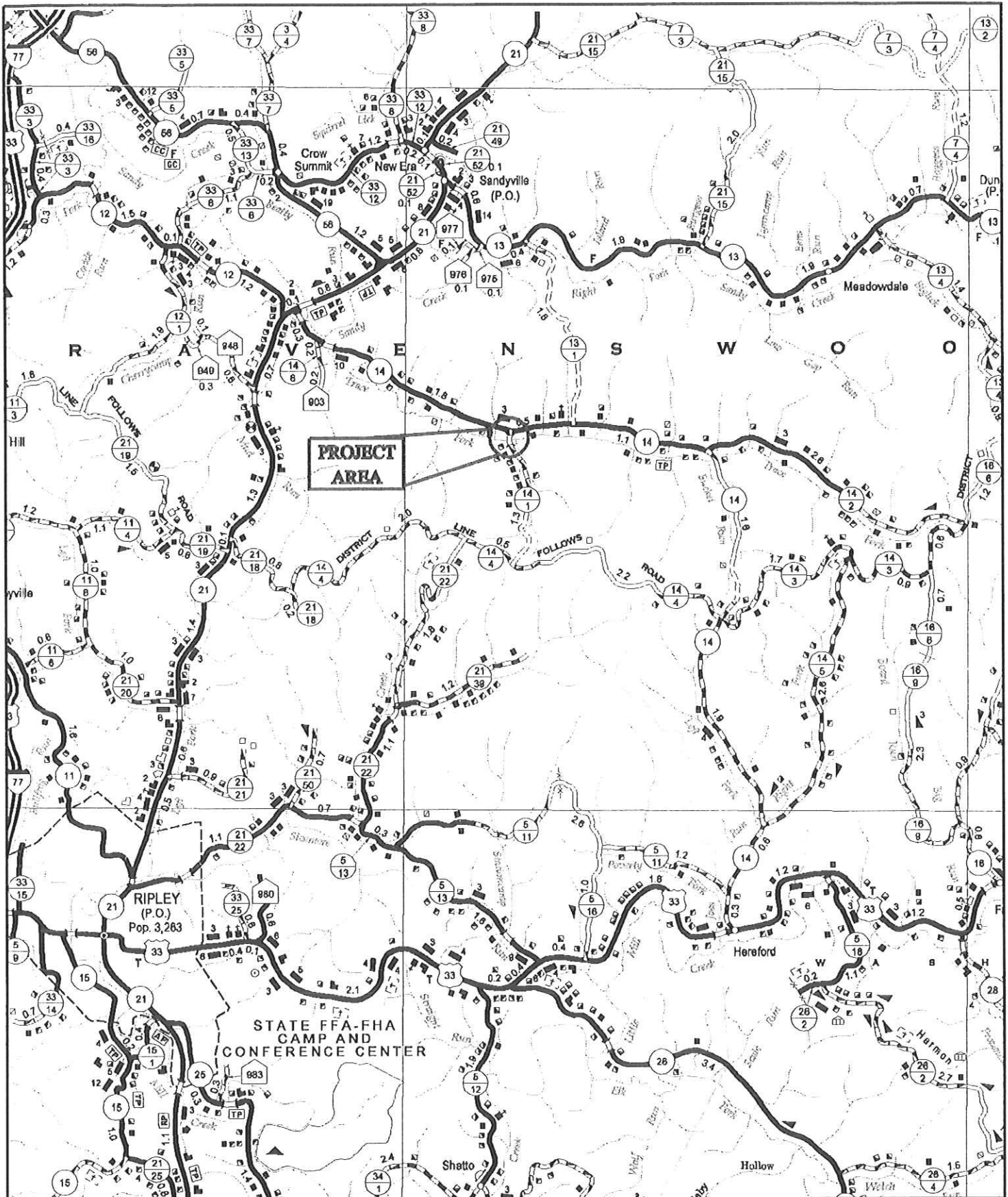
BRIDGE NO. 18-14/1-1.21  
OVER  
TRACE FORK  
ON  
COUNTY ROUTE 14/1 (SLS)  
IN  
JACKSON COUNTY

DESIGNED BY: TRP  
DRAWN BY: TRP  
CHECKED BY: TRP  
REVIEWED BY:  
DATE: 4-12  
SCALE:  
SHEET NO. 19 OF 33  
PROJECT NUMBER 18-14/1.21  
11062

PRESTRESSED CONCRETE BEAM  
TYPE TL-2 GUARDRAIL SYSTEM  
DESIGN & ASSEMBLY DETAILS  
STANDARD SHEET BR-B104

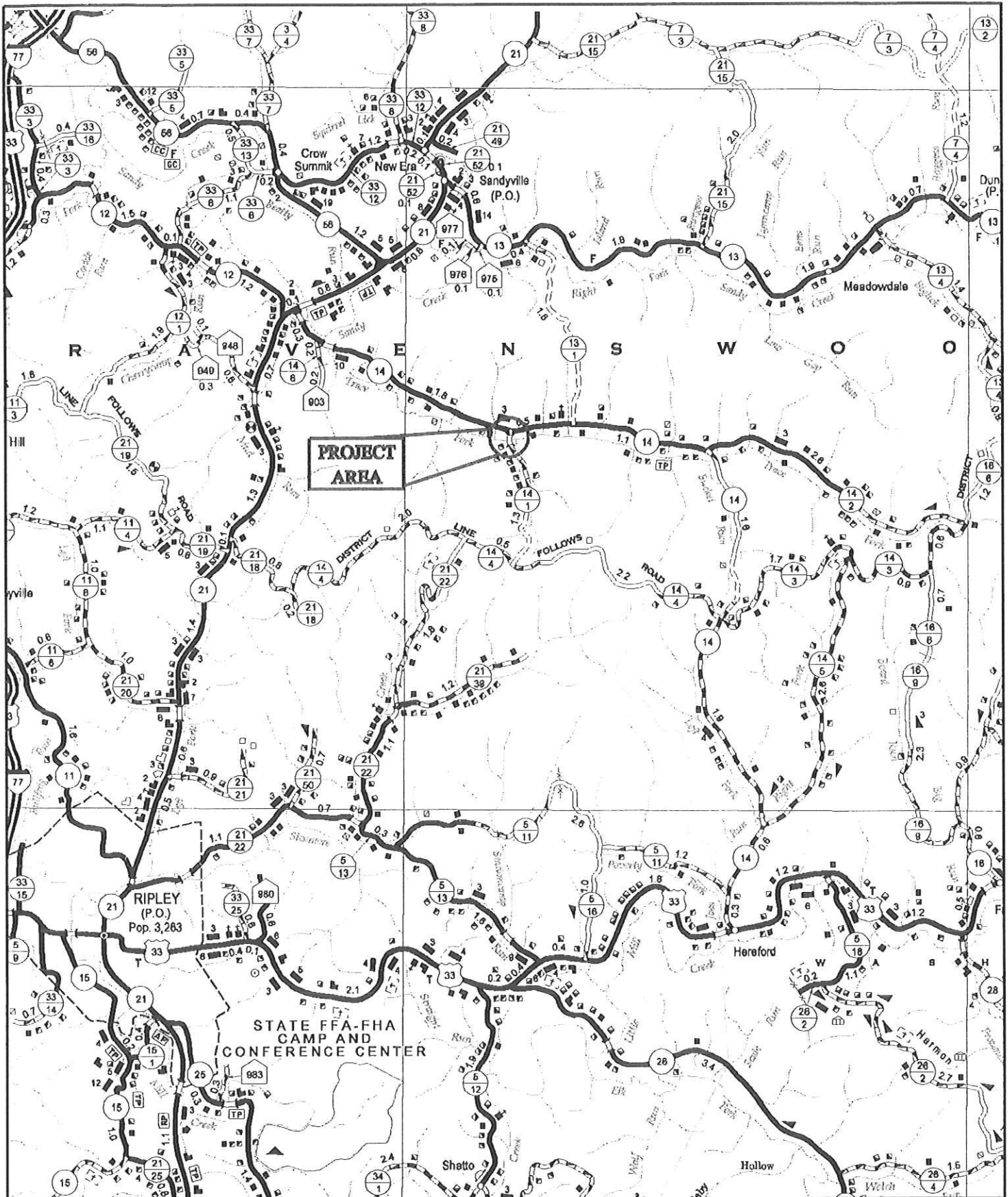
PREPARED 1-11-05





**BRIDGE REPLACEMENT STUDY**  
**LITTLE TRACE FORK BRIDGE #18-14/1-1.21**  
**PROJECT NO. S318-14/1-1.19**  
**JACKSON COUNTY**  
**38° 52' 35" N, 81° 39' 04" W**

**WEST VIRGINIA**  
**DEPARTMENT OF TRANSPORTATION**  
**DIVISION OF HIGHWAYS**  
**DISTRICT THREE BRIDGE DEPARTMENT**



**BRIDGE REPLACEMENT STUDY**  
**LITTLE TRACE FORK BRIDGE #18-14/1-1.21**  
**PROJECT NO. S318-14/1-1.19**  
**JACKSON COUNTY**  
**38° 52' 35" N, 81° 39' 04" W**

**WEST VIRGINIA**  
**DEPARTMENT OF TRANSPORTATION**  
**DIVISION OF HIGHWAYS**  
**DISTRICT THREE BRIDGE DEPARTMENT**

State of West Virginia  
**VENDOR PREFERENCE CERTIFICATE**

Certification and application\* is hereby made for Preference in accordance with *West Virginia Code*, §5A-3-37. (Does not apply to construction contracts). *West Virginia Code*, §5A-3-37, provides an opportunity for qualifying vendors to request (at the time of bid) preference for their residency status. Such preference is an evaluation method only and will be applied only to the cost bid in accordance with the *West Virginia Code*. This certificate for application is to be used to request such preference. The Purchasing Division will make the determination of the Resident Vendor Preference, if applicable.

1. **Application is made for 2.5% resident vendor preference for the reason checked:**  
 Bidder is an individual resident vendor and has resided continuously in West Virginia for four (4) years immediately preceding the date of this certification; **or**,  
 Bidder is a partnership, association or corporation resident vendor and has maintained its headquarters or principal place of business continuously in West Virginia for four (4) years immediately preceding the date of this certification; **or** 80% of the ownership interest of Bidder is held by another individual, partnership, association or corporation resident vendor who has maintained its headquarters or principal place of business continuously in West Virginia for four (4) years immediately preceding the date of this certification; **or**,  
 Bidder is a nonresident vendor which has an affiliate or subsidiary which employs a minimum of one hundred state residents and which has maintained its headquarters or principal place of business within West Virginia continuously for the four (4) years immediately preceding the date of this certification; **or**,
2. **Application is made for 2.5% resident vendor preference for the reason checked:**  
 Bidder is a resident vendor who certifies that, during the life of the contract, on average at least 75% of the employees working on the project being bid are residents of West Virginia who have resided in the state continuously for the two years immediately preceding submission of this bid; **or**,
3. **Application is made for 2.5% resident vendor preference for the reason checked:**  
 Bidder is a nonresident vendor employing a minimum of one hundred state residents or is a nonresident vendor with an affiliate or subsidiary which maintains its headquarters or principal place of business within West Virginia employing a minimum of one hundred state residents who certifies that, during the life of the contract, on average at least 75% of the employees or Bidder's affiliate's or subsidiary's employees are residents of West Virginia who have resided in the state continuously for the two years immediately preceding submission of this bid; **or**,
4. **Application is made for 5% resident vendor preference for the reason checked:**  
 Bidder meets either the requirement of both subdivisions (1) and (2) or subdivision (1) and (3) as stated above; **or**,
5. **Application is made for 3.5% resident vendor preference who is a veteran for the reason checked:**  
 Bidder is an individual resident vendor who is a veteran of the United States armed forces, the reserves or the National Guard and has resided in West Virginia continuously for the four years immediately preceding the date on which the bid is submitted; **or**,
6. **Application is made for 3.5% resident vendor preference who is a veteran for the reason checked:**  
 Bidder is a resident vendor who is a veteran of the United States armed forces, the reserves or the National Guard, if, for purposes of producing or distributing the commodities or completing the project which is the subject of the vendor's bid and continuously over the entire term of the project, on average at least seventy-five percent of the vendor's employees are residents of West Virginia who have resided in the state continuously for the two immediately preceding years.
7. **Application is made for preference as a non-resident small, women- and minority-owned business, in accordance with *West Virginia Code* §5A-3-59 and *West Virginia Code of State Rules*.**  
 Bidder has been or expects to be approved prior to contract award by the Purchasing Division as a certified small, women- and minority-owned business.

Bidder understands if the Secretary of Revenue determines that a Bidder receiving preference has failed to continue to meet the requirements for such preference, the Secretary may order the Director of Purchasing to: (a) reject the bid; or (b) assess a penalty against such Bidder in an amount not to exceed 5% of the bid amount and that such penalty will be paid to the contracting agency or deducted from any unpaid balance on the contract or purchase order.

By submission of this certificate, Bidder agrees to disclose any reasonably requested information to the Purchasing Division and authorizes the Department of Revenue to disclose to the Director of Purchasing appropriate information verifying that Bidder has paid the required business taxes, provided that such information does not contain the amounts of taxes paid nor any other information deemed by the Tax Commissioner to be confidential.

**Under penalty of law for false swearing (*West Virginia Code*, §61-5-3), Bidder hereby certifies that this certificate is true and accurate in all respects; and that if a contract is issued to Bidder and if anything contained within this certificate changes during the term of the contract, Bidder will notify the Purchasing Division in writing immediately.**

Bidder: \_\_\_\_\_ Signed: \_\_\_\_\_

Date: \_\_\_\_\_ Title: \_\_\_\_\_

RFQ No. \_\_\_\_\_

STATE OF WEST VIRGINIA  
Purchasing Division

**PURCHASING AFFIDAVIT**

**West Virginia Code §5A-3-10a states:** No contract or renewal of any contract may be awarded by the state or any of its political subdivisions to any vendor or prospective vendor when the vendor or prospective vendor or a related party to the vendor or prospective vendor is a debtor and the debt owed is an amount greater than one thousand dollars in the aggregate.

**DEFINITIONS:**

"Debt" means any assessment, premium, penalty, fine, tax or other amount of money owed to the state or any of its political subdivisions because of a judgment, fine, permit violation, license assessment, defaulted workers' compensation premium, penalty or other assessment presently delinquent or due and required to be paid to the state or any of its political subdivisions, including any interest or additional penalties accrued thereon.

"Debtor" means any individual, corporation, partnership, association, limited liability company or any other form or business association owing a debt to the state or any of its political subdivisions. "Political subdivision" means any county commission; municipality; county board of education; any instrumentality established by a county or municipality; any separate corporation or instrumentality established by one or more counties or municipalities, as permitted by law; or any public body charged by law with the performance of a government function or whose jurisdiction is coextensive with one or more counties or municipalities. "Related party" means a party, whether an individual, corporation, partnership, association, limited liability company or any other form or business association or other entity whatsoever, related to any vendor by blood, marriage, ownership or contract through which the party has a relationship of ownership or other interest with the vendor so that the party will actually or by effect receive or control a portion of the benefit, profit or other consideration from performance of a vendor contract with the party receiving an amount that meets or exceed five percent of the total contract amount.

**EXCEPTION:** The prohibition of this section does not apply where a vendor has contested any tax administered pursuant to chapter eleven of this code, workers' compensation premium, permit fee or environmental fee or assessment and the matter has not become final or where the vendor has entered into a payment plan or agreement and the vendor is not in default of any of the provisions of such plan or agreement.

Under penalty of law for false swearing (*West Virginia Code §61-5-3*), it is hereby certified that the vendor affirms and acknowledges the information in this affidavit and is in compliance with the requirements as stated.

**WITNESS THE FOLLOWING SIGNATURE**

Vendor's Name: \_\_\_\_\_

Authorized Signature: \_\_\_\_\_ Date: \_\_\_\_\_

State of \_\_\_\_\_

County of \_\_\_\_\_, to-wit:

Taken, subscribed, and sworn to before me this \_\_\_ day of \_\_\_\_\_, 20\_\_.

My Commission expires \_\_\_\_\_, 20\_\_.

**AFFIX SEAL HERE**

**NOTARY PUBLIC** \_\_\_\_\_