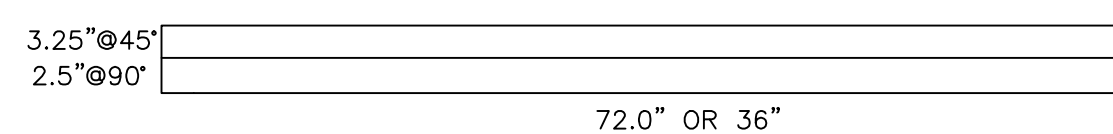
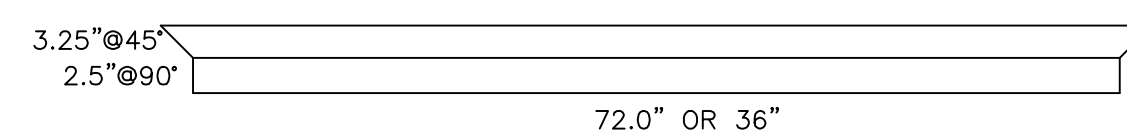


M 2a PAN PLAN VIEW
 1-1/4"=1'-0"
 PLAN NORTH

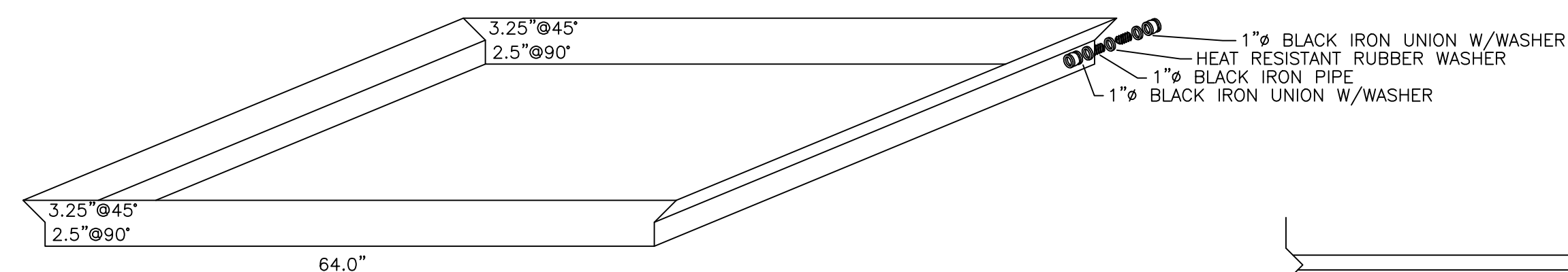
M 2b UNFOLDED VIEW
 1-1/4"=1'-0"
 PLAN NORTH



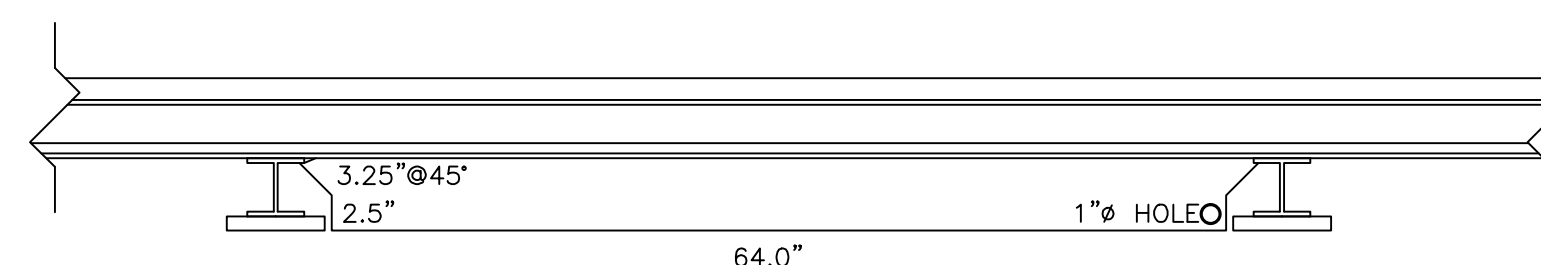
M 2c EAST ELEVATION
 1-1/4"=1'-0"
 PLAN NORTH



M 2d SOUTH ELEVATION
 1-1/4"=1'-0"
 PLAN NORTH



M 2e ISOMETRIC VIEW
 1-1/4"=1'-0"
 PLAN NORTH



M 2f ELEVATION VIEW
 1-1/4"=1'-0"

GENERAL NOTES

1. THESE MECHANICAL CONSTRUCTION DOCUMENTS ARE BASED UPON DESIGN CRITERIA DERIVED FROM THE FOLLOWING HANDBOOKS, STANDARDS & CODES:

- ASHRAE: HANDBOOKS
- ASHRAE: STANDARD 55
- ASHRAE: STANDARD 62
- ASHRAE: LOAD CALCULATIONS MANUAL, SECOND EDITION
- ASPE: DATA BOOK
- BOCA: NATIONAL MECHANICAL CODE
- BOCA: NATIONAL PLUMBING CODE
- BOCA: NATIONAL FIRE PREVENTION CODE
- NEC: NATIONAL ELECTRIC CODE
- SMACNA: HVAC SYSTEMS AND DUCT DESIGN, THIRD EDITION

2. NOT ALL PIPING OR BOILER ACCUTREMENTS ARE SHOWN; FIELD VERIFY EXISTING CONDITIONS.
3. CLEARANCES INDICATED ARE BASED UPON THE BEST AVAILABLE INFORMATION, THE CONTRACTOR SHALL VERIFY PIPING, ETC., ROUTING PRIOR TO SUBMITTING A BID INCLUDING SUCH COSTS AS REQUIRED TO COMPLETE WORK AS SHOWN OR INTENDED.
4. CONTRACTOR SHALL FIELD VERIFY EXACT SIZE AND LOCATION OF ALL EXISTING WORK PRIOR TO CONSTRUCTION. ALL EXISTING WORK SHOWN INDICATES LOCATION ROUTING AS DERIVED FROM EXISTING DRAWINGS. IN THE EVENT OF CONFLICT, CONTACT THE PROJECT ENGINEER FOR A DECISION.

REVISIONS	
DATE	NO.

SEAL

REVISED	
DATE	SCALE
02/24/2011	AS NOTED
DRAWN BY	CHK. BY
GMH	-
DRAWING NUMBER	
M2	