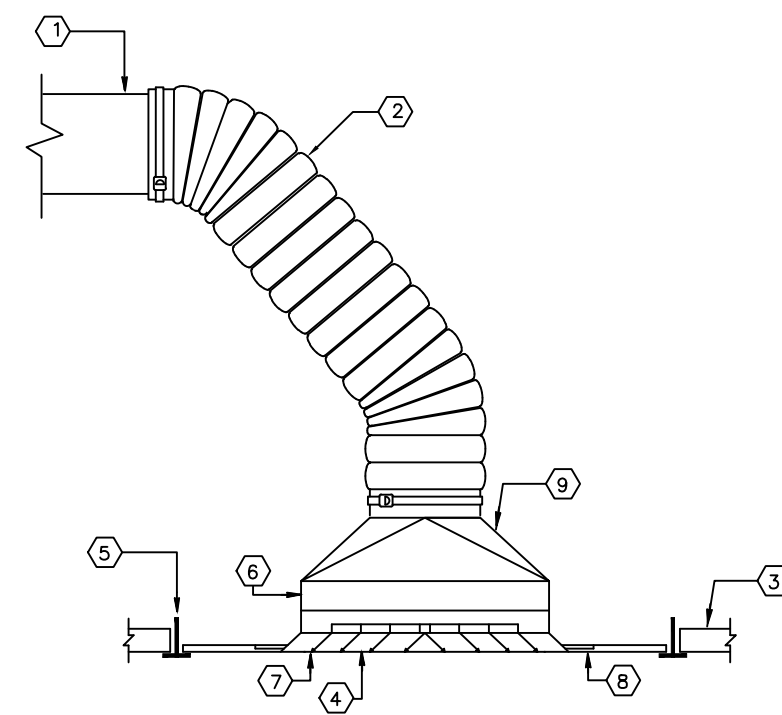




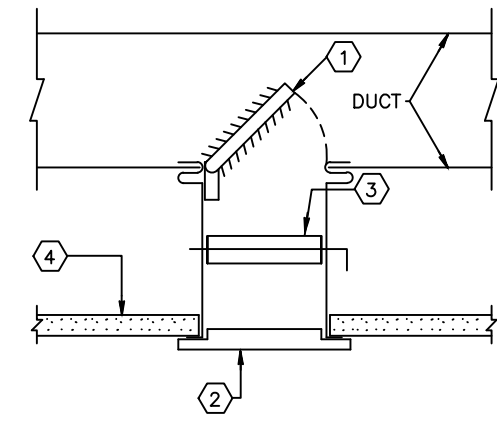
RETURN DUCT PROJECT
WV STATE BUILDING 97
WILLIAMSON, WV



- NOTES
- 1 FROM METAL DUCTWORK
 - 2 INSULATED FLEXIBLE DUCTWORK
 - 3 SUSPENDED CEILING
 - 4 RETURN GRILLE
 - 5 CEILING GRID
 - 6 N/A
 - 7 N/A
 - 8 METAL CEILING MODULE (24" X 24")
 - 9 SQUARE TO ROUND ADAPTER

CEILING DIFFUSER
SCHEMATIC DIAGRAM - NOT TO SCALE

DETAIL
SM01

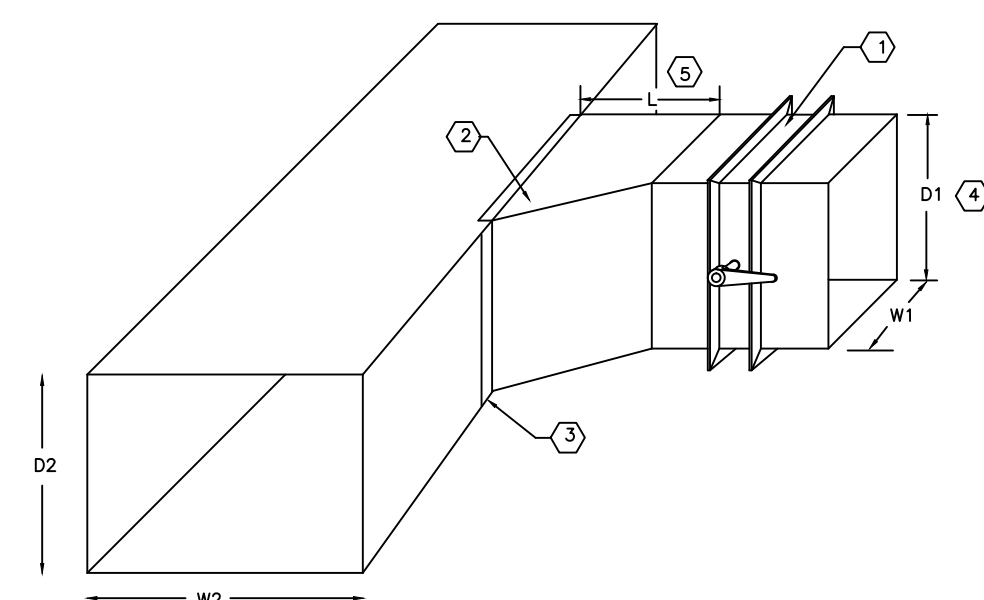


CEILING / WALL MOUNTED

- NOTES
- 1 AIR EXTRACTOR
 - 2 GRILLE
 - 3 ADJUSTABLE VOLUME DAMPER
 - 4 CEILING OR WALL

GRILLE CONNECTIONS
SCHEMATIC DIAGRAM - NOT TO SCALE

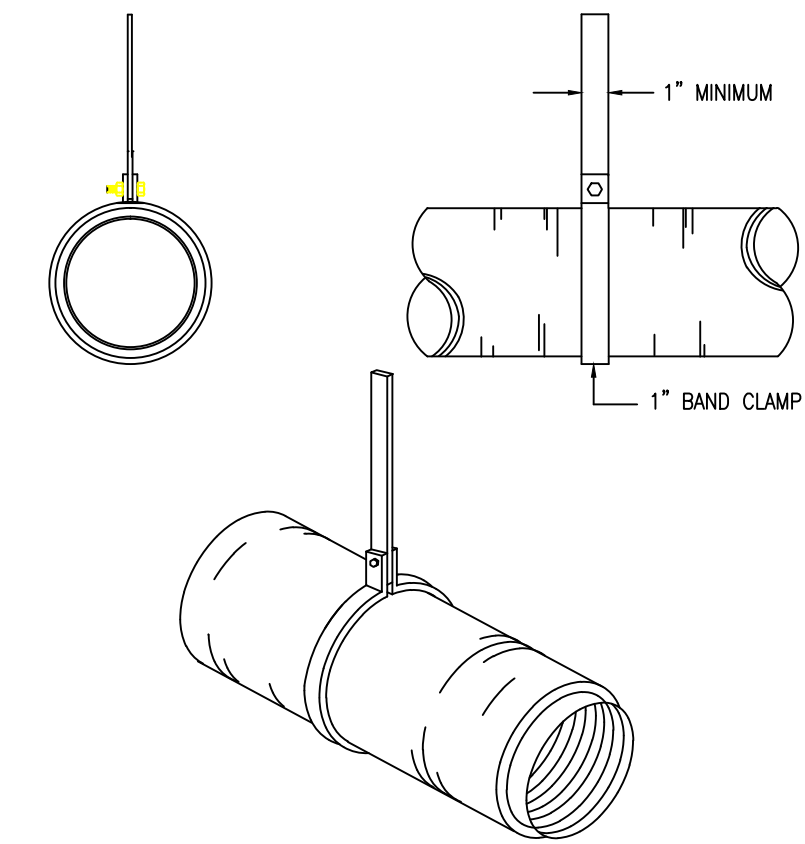
DETAIL
SM02



- NOTES
- 1 MANUAL, SINGLE BLADE DAMPER
 - 2 45 DEGREE ENTRY ANGLE
 - 3 CLOSE OPENING AT CORNERS
 - 4 D1 = D2
 - 5 L = 1/4 W1, 4" MINIMUM

DUCTWORK TAP CONNECTION
SCHEMATIC DIAGRAM - NOT TO SCALE

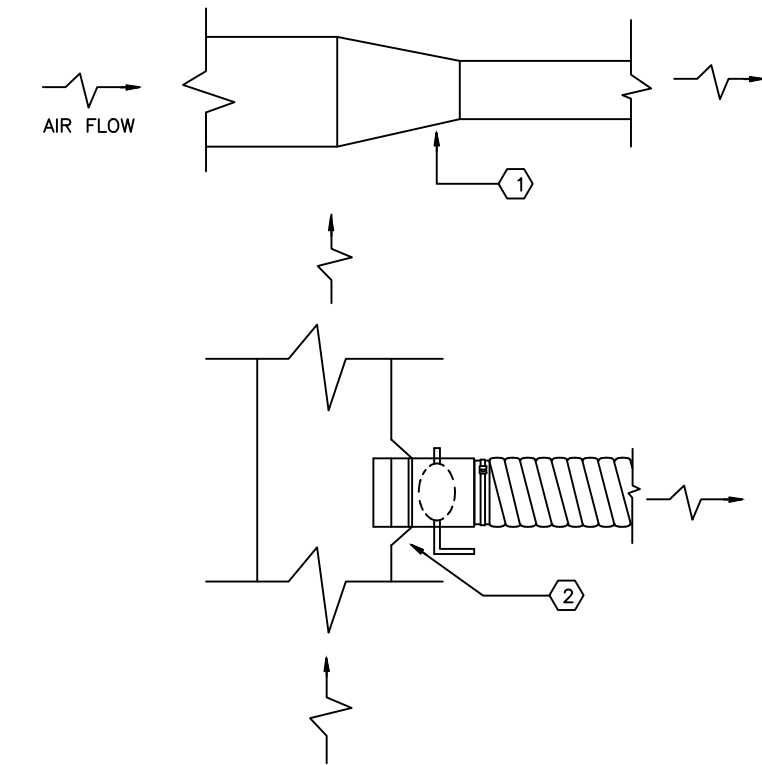
DETAIL
SM03



FLEXIBLE DUCT RUNS ARE LIMITED TO FIVE FEET MAXIMUM.
SUPPORT SYSTEM MUST NOT DAMAGE DUCT OR CAUSE OUT OF ROUND SHAPE.

FLEXIBLE DUCT SUPPORTS
SCHEMATIC DIAGRAM - NOT TO SCALE

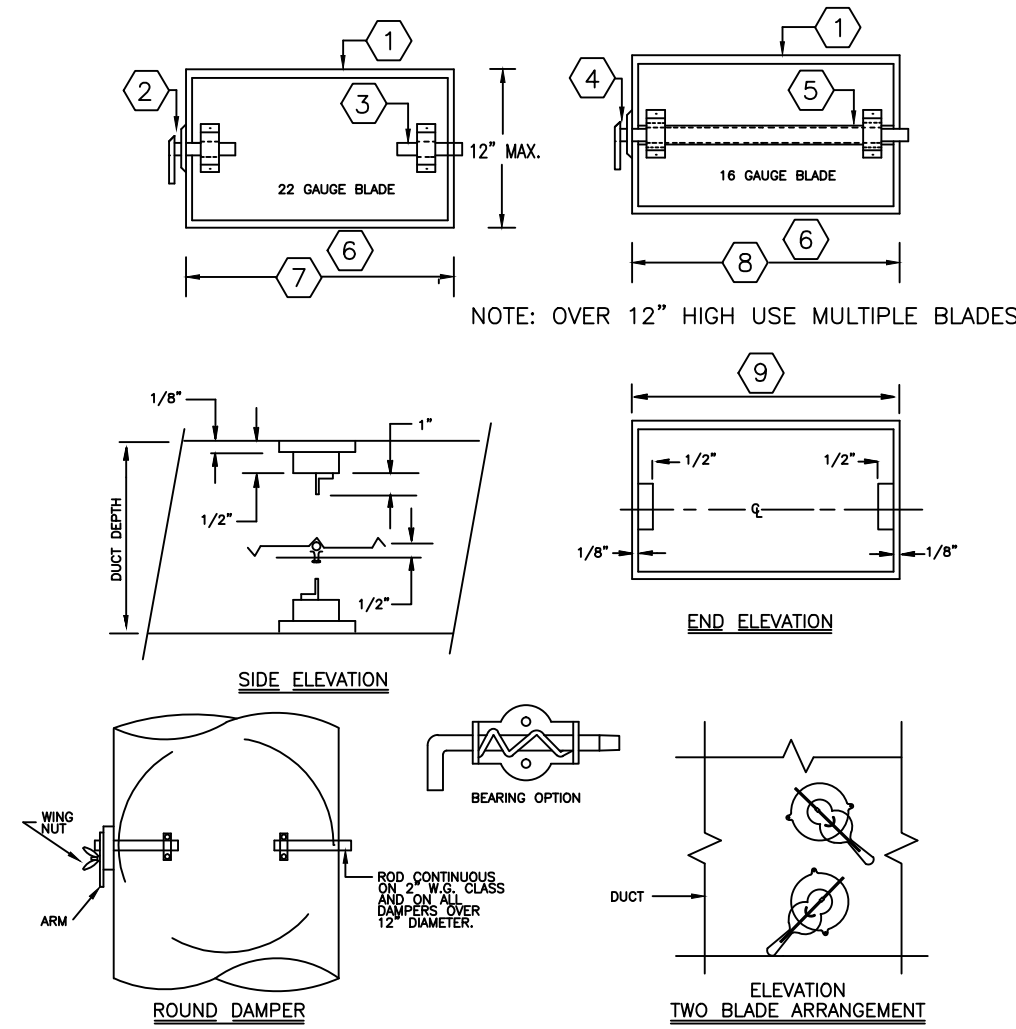
DETAIL
SM04



- NOTES
- 1 1" IN 4" SLOPE
 - 2 TWIST LOCK FITTING WITH DAMPER

ROUND DUCT BRANCH TAKE-OFF
SCHEMATIC DIAGRAM - NOT TO SCALE

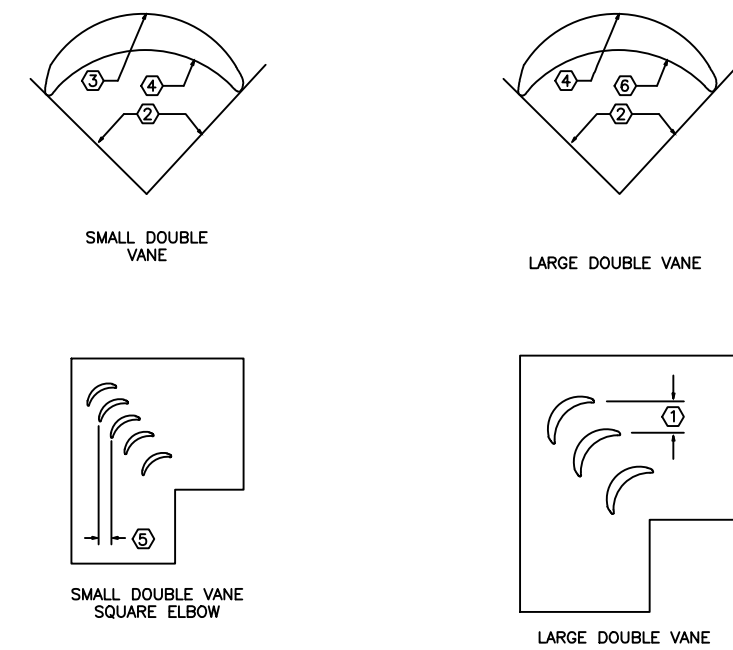
DETAIL
SM05



- NOTES
- 1 DUCT
 - 2 3/8" QUADRANT
 - 3 3/8" PIN
 - 4 1/2" QUADRANT
 - 5 1/2" ROD-PIN
 - 6 1/8" CLEARANCE ALL AROUND
 - 7 UP TO 18"
 - 8 19" TO 48"
 - 9 DUCT WIDTH

SINGLE BLADE VOLUME DAMPERS
SCHEMATIC DIAGRAM - NOT TO SCALE

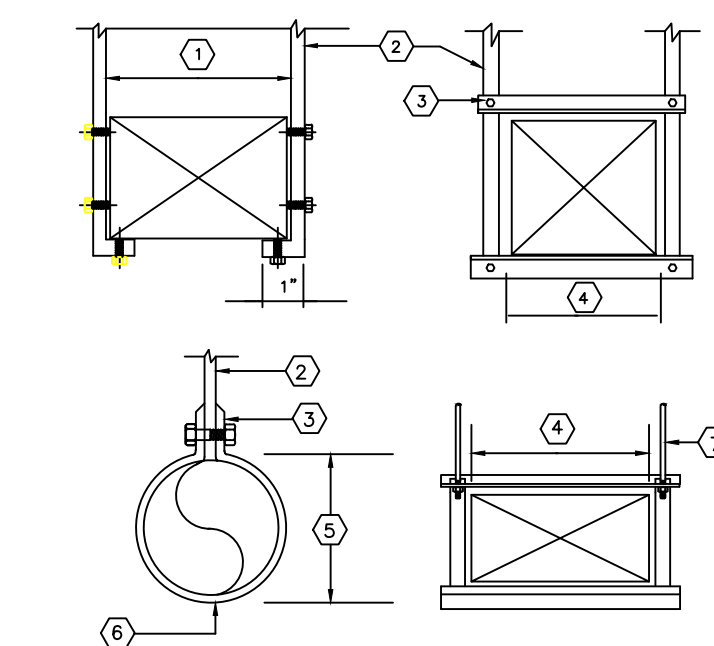
DETAIL
SM06



- NOTES
- 1 2-1/4"
 - 2 90 DEGREES
 - 3 1" R
 - 4 2" R
 - 5 1-1/8"
 - 6 4" R
 - 7 UNLESS OTHERWISE SHOWN, ALL RECTANGULAR ELBS WILL BE TYPE RE 1 FOR DUCT WIDTHS OF 24" OR LESS. SEE SMACNA HVAC DUCT CONSTRUCTION STANDARDS.

TYPICAL VANED ELBOW
SCHEMATIC DIAGRAM - NOT TO SCALE

DETAIL
SM07



- NOTES
- 1 60" MAXIMUM
 - 2 HANGER STRAP TO STRUCTURE
 - 3 3/8" BOLT (MINIMUM)
 - 4 OVER 60"
 - 5 50" MAXIMUM
 - 6 BAND SAME SIZE AS HANGER STRAP
 - 7 THREADED HANGER RODS TO STRUCTURE

TYPICAL DUCT HANGERS
SCHEMATIC DIAGRAM - NOT TO SCALE

DETAIL
SM08

REVISIONS	
DATE	NO.

SEAL

REVISED	
DATE	SCALE
02/22/2012	AS NOTED
DRAWN BY	CHK. BY
GMH	-
DRAWING NUMBER	
M2	