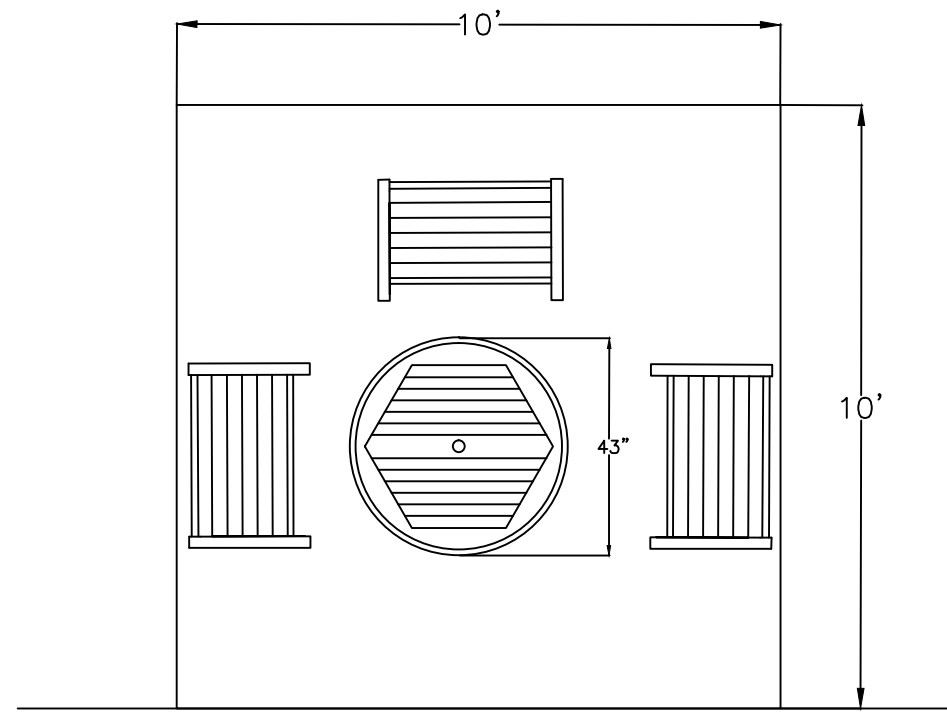


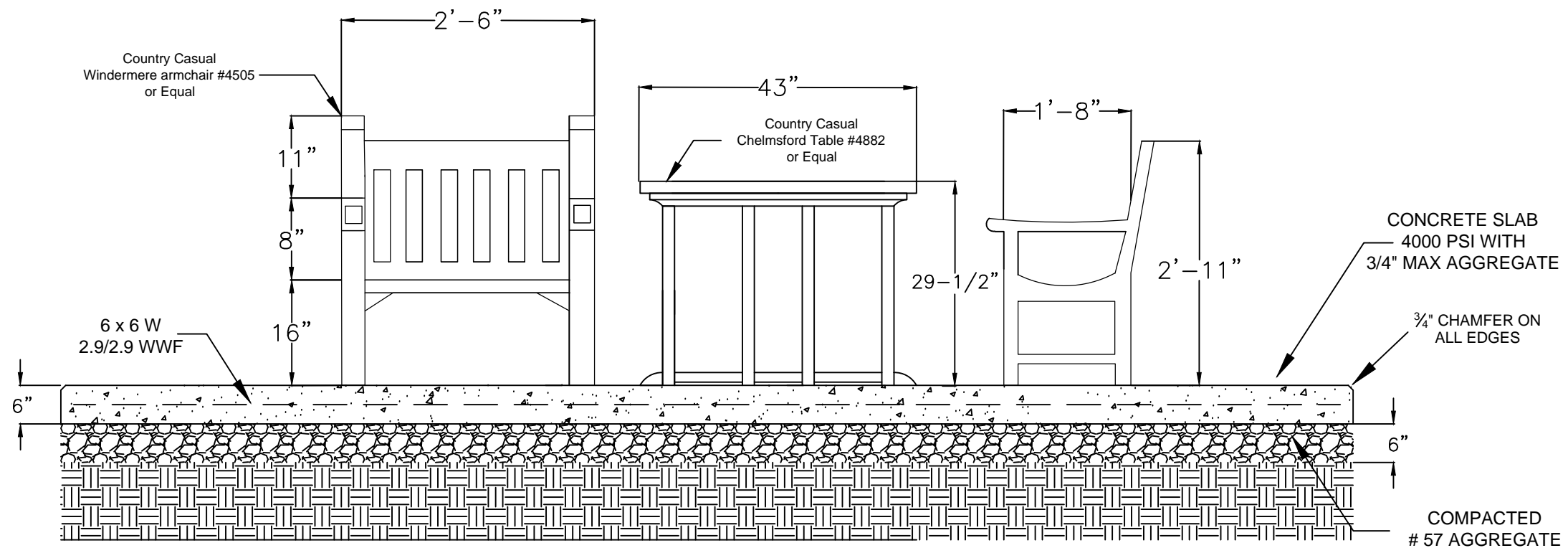


**BLDG. 5, 6 and 7 Park
CAPITOL COMPLEX
BUILDING #5, 6 AND 7
1900 KANAWHA BOULEVARD EAST
CHARLESTON, WEST VIRGINIA 25305**



Sidewalk

1 **Patio Plan View**
N.T.S



2 **Patio Detail**
N.T.S

Notes:
CONTRACTOR SHALL FIELD VERIFY ALL DIMENSIONS. ANY DISCREPANCIES SHALL BE BROUGHT TO THE PROJECT MANAGER / ARCHITECT ATTENTION PRIOR TO CONSTRUCTION.

REVISIONS	
DATE	NO.

SEAL

REVISED	
DATE	SCALE
08/12/10	NOTED
DRAWN BY BMG	CHK. BY
DRAWING NUMBER	
C3.1	