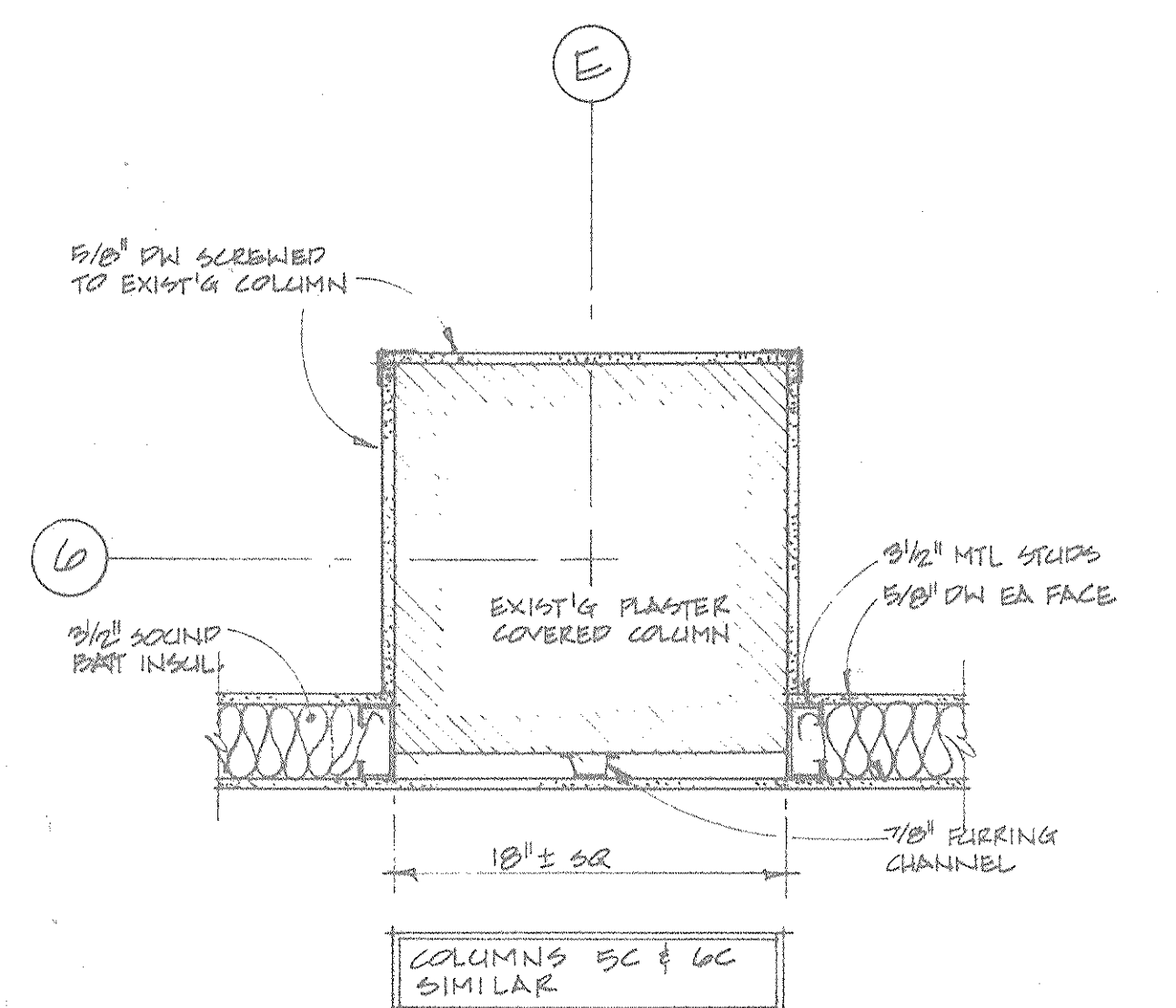
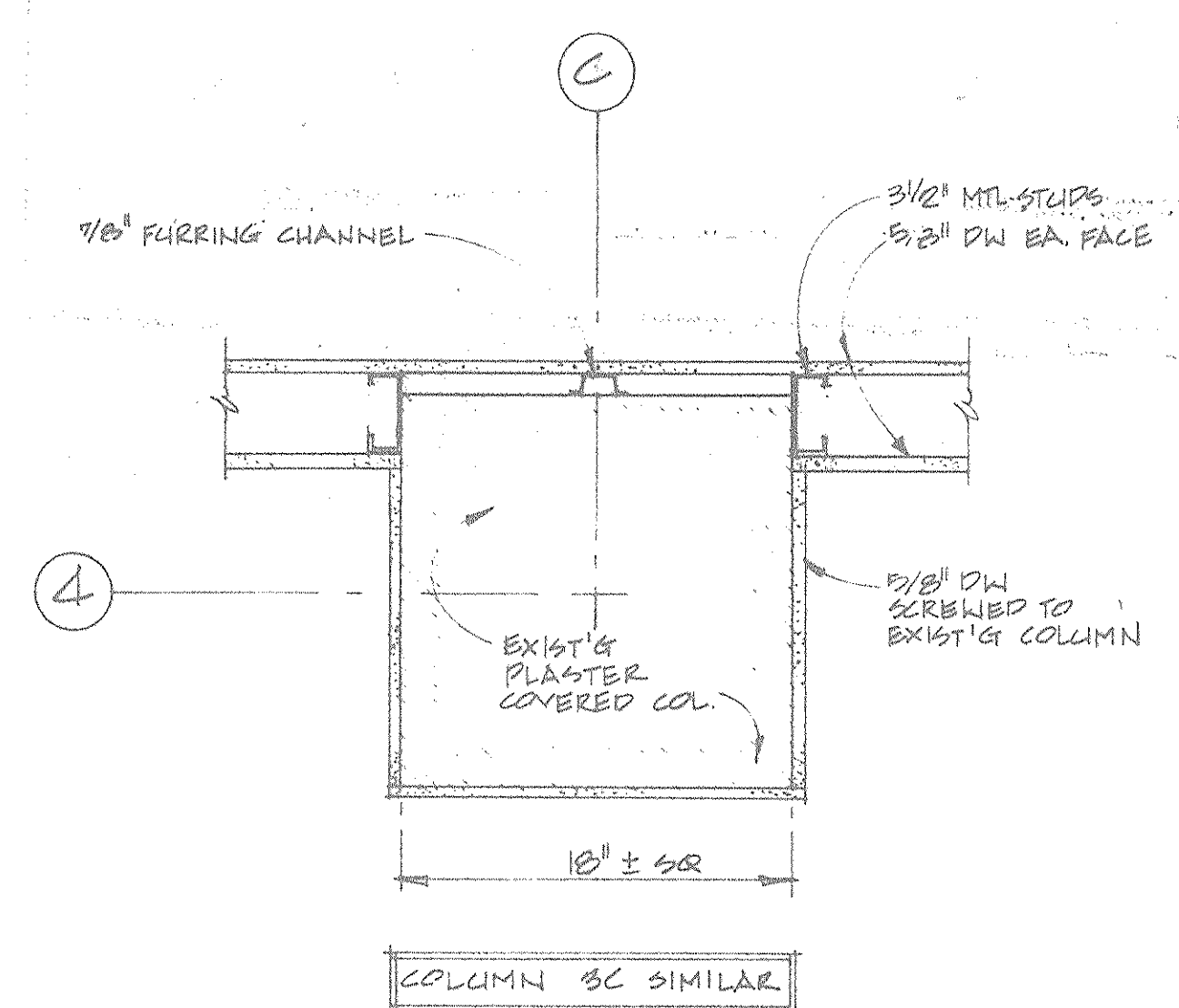


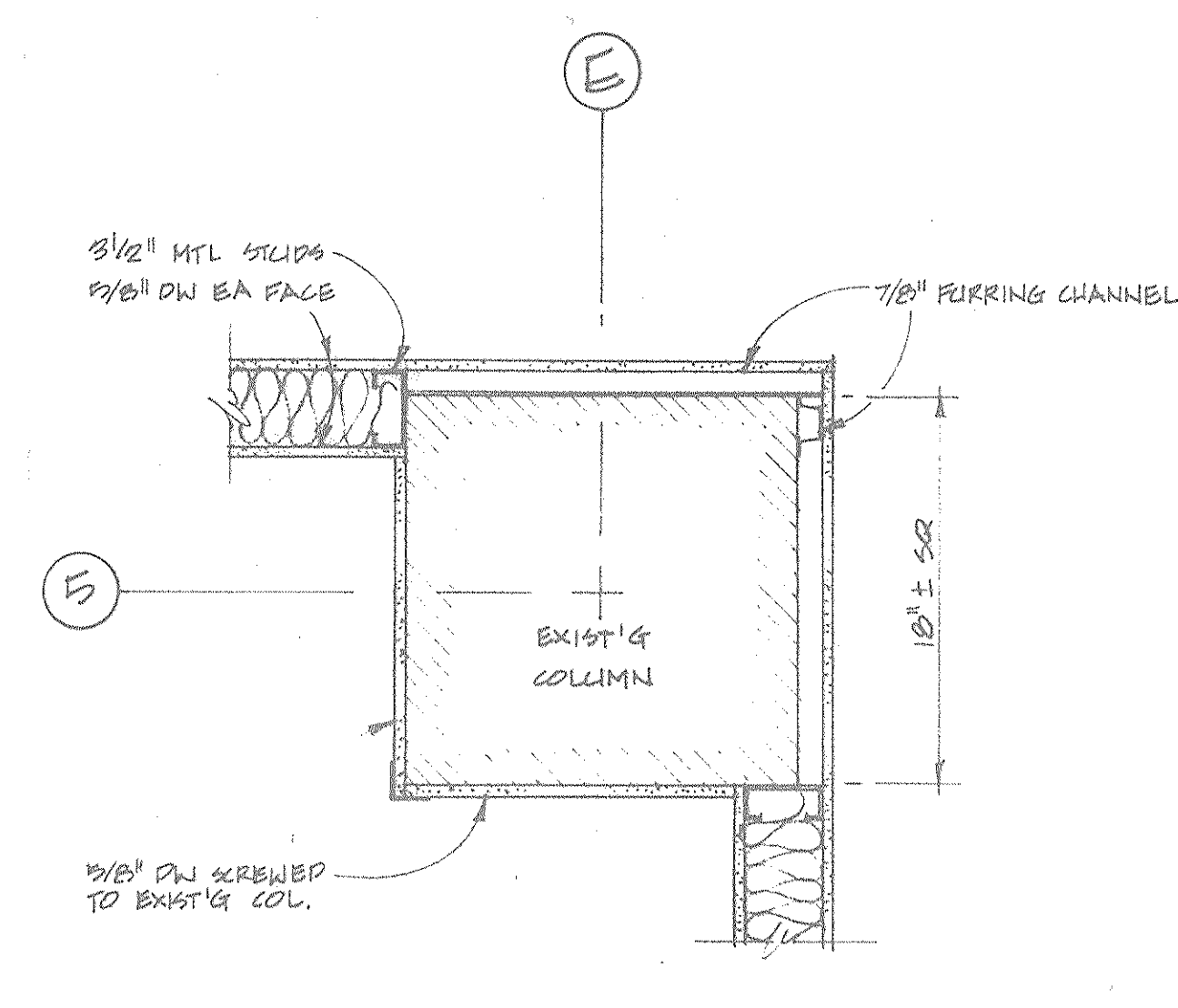
FIFTH FLOOR PLAN
SCALE 1/8" = 1'-0"



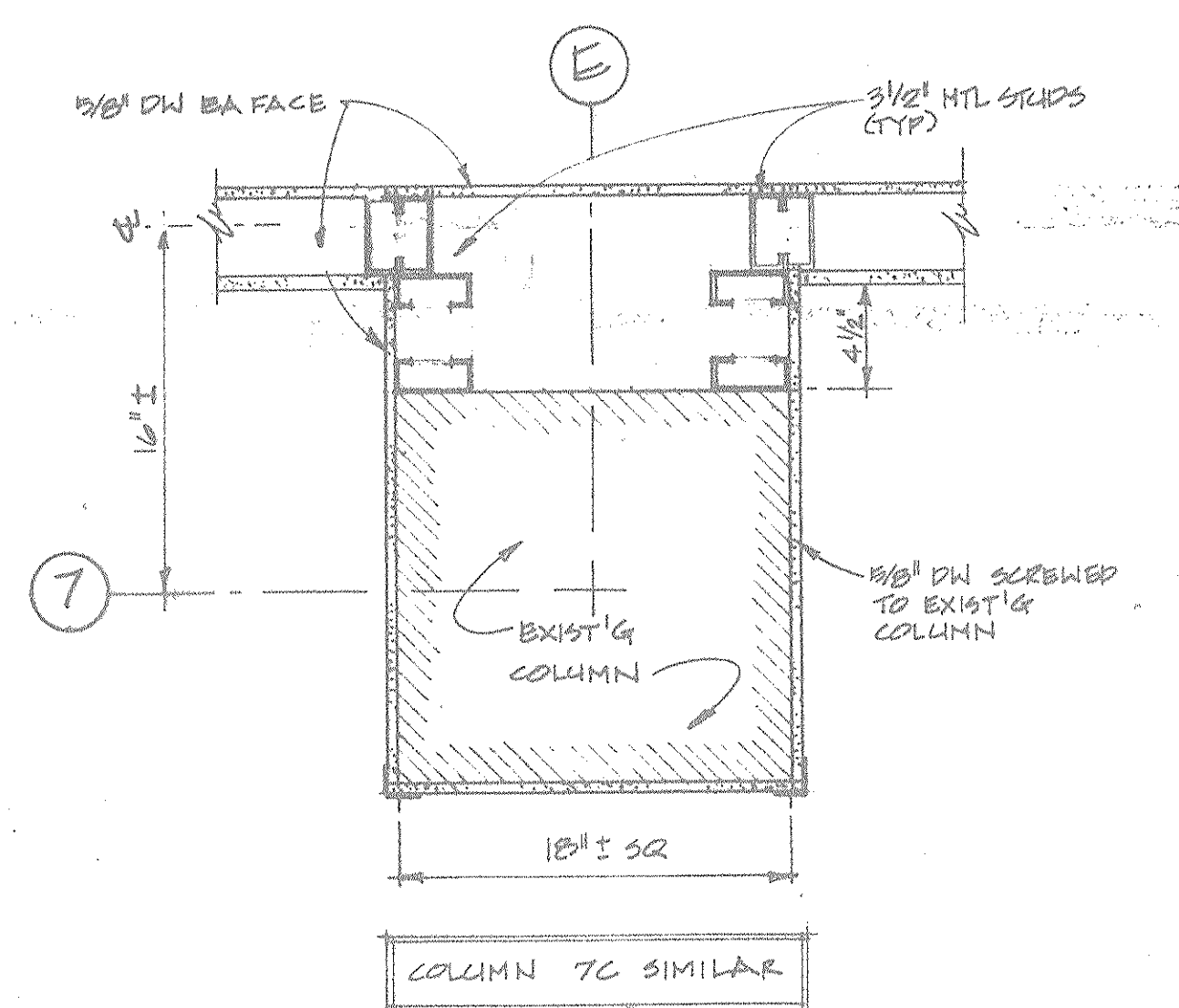
DETAIL - COLUMN
SCALE 1/2" = 1'-0"



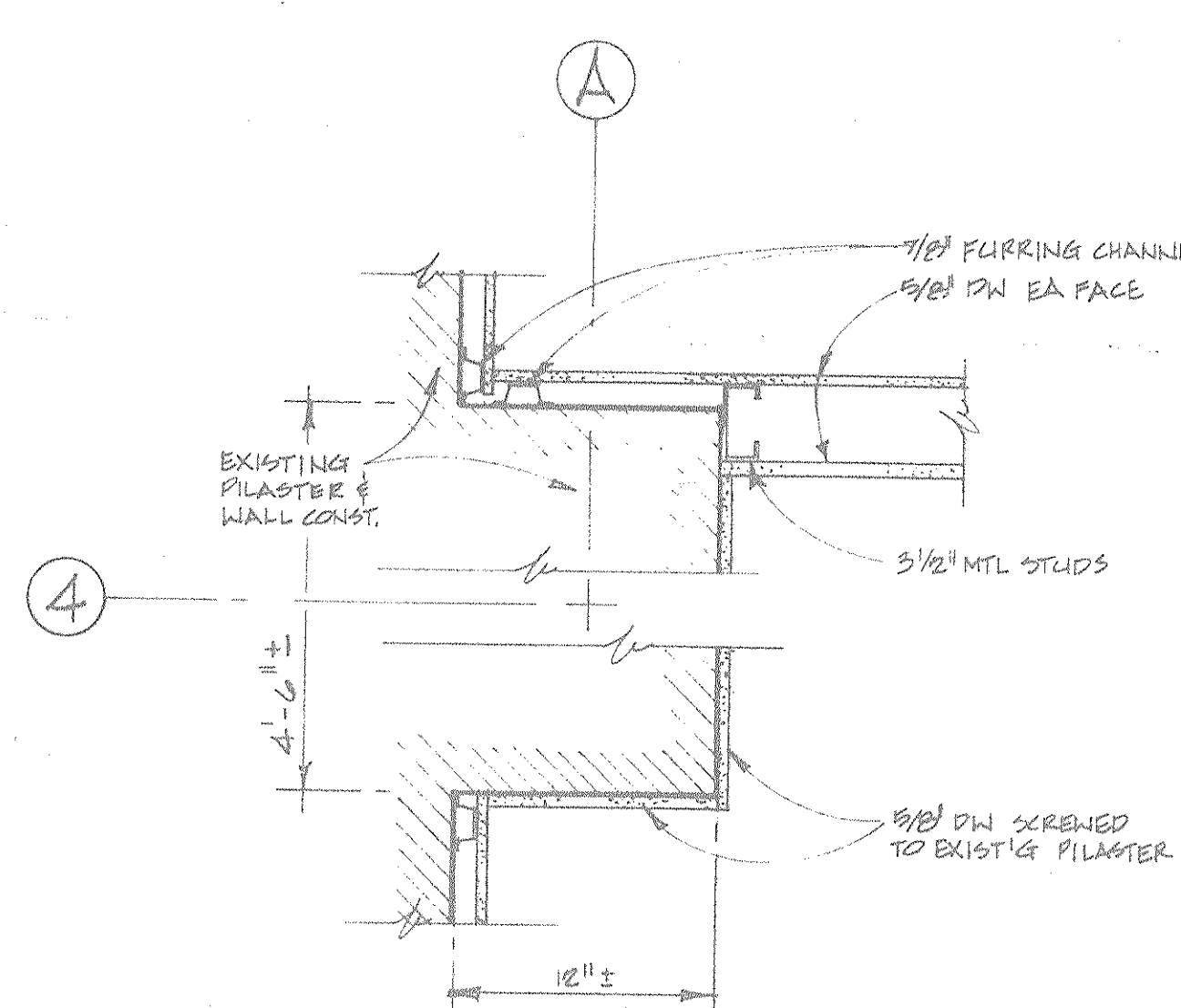
DETAIL - COLUMN
SCALE 1/2" = 1'-0"



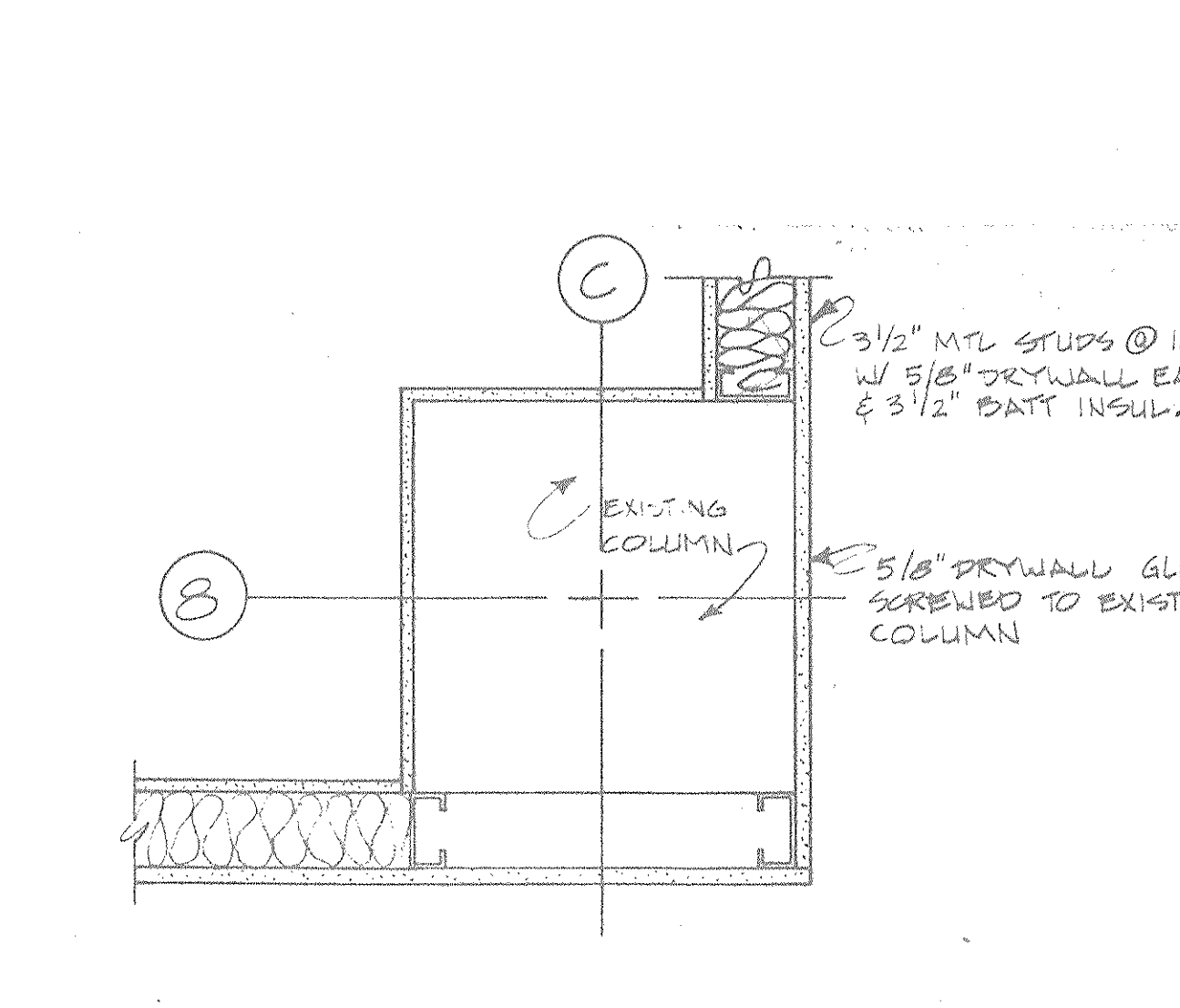
DETAIL - COLUMN
SCALE 1/2" = 1'-0"



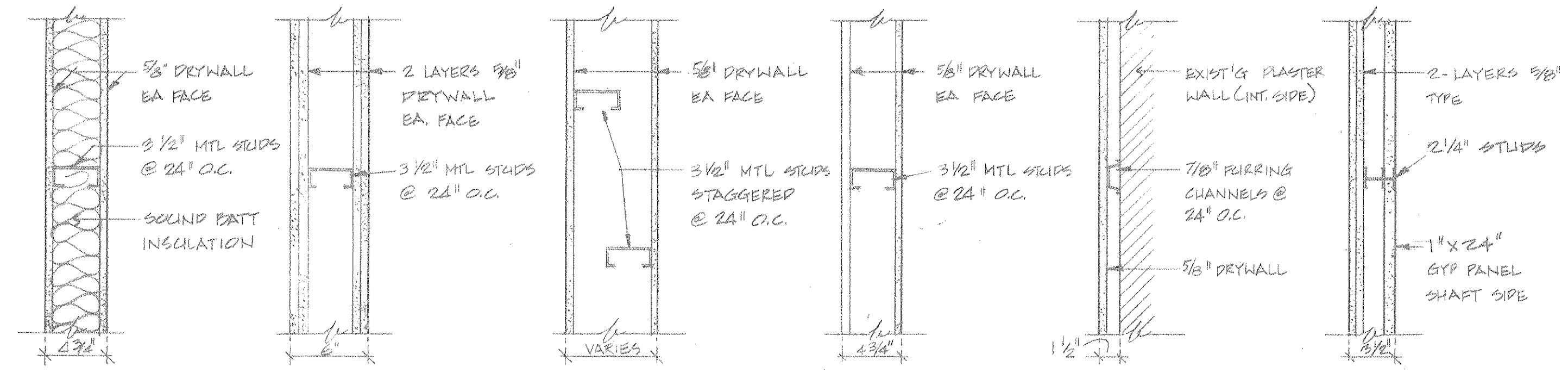
DETAIL - COLUMN
SCALE 1/2" = 1'-0"



DETAIL - COLUMN
SCALE 1/2" = 1'-0"



DETAIL - COLUMN
SCALE 1/2" = 1'-0"



WALL TYPES
SCALE 1/2" = 1'-0"

**FOR PURPOSES
OF
CONTRACTOR EVALUATION.
CONDITIONS DEPICTED IN DRAWING
HAVE NOT BEEN VERIFIED.**

FIFTH FLOOR PLAN