



State of West Virginia  
 Department of Administration  
 Purchasing Division  
 2019 Washington Street East  
 Post Office Box 50130  
 Charleston, WV 25305-0130

# Request for Quotation

RFQ NUMBER
DEP15718

PAGE
1

ADDRESS CORRESPONDENCE TO ATTENTION OF:
GUY NISBET 304-558-8802

RFQ COPY

TYPE NAME/ADDRESS HERE

VENDOR

SHIP TO

ENVIRONMENTAL PROTECTION  
 DEPARTMENT OF  
 OFFICE OF AML&R  
 601 57TH STREET SE  
 CHARLESTON, WV  
 25304 304-926-0499

DATE PRINTED	TERMS OF SALE	SHIP VIA	F.O.B.	FREIGHT TERMS
02/28/2012				

BID OPENING DATE: 03/13/2012 BID OPENING TIME 01:30PM

LINE	QUANTITY	UOP	CAT NO.	ITEM NUMBER	UNIT PRICE	AMOUNT
				ADDENDUM NO.1		
				ADDENDUM FOR "OVERFIELD (LAFFERTY) STREAM AND PORTAL PROJECT TO ISSUE THE FOLLOWING INFORMATION.		
				1. QUESTIONS AND ANSWERS FROM PRE-BID MEETING HELD: 2/16/2012.		
				2. REVISED BID SCHEDULE FROM PRE-BID MEETING		
				3. SIGN IN SHEET FROM PRE-BID MEETING, HELD: 2/16/2012		
				BID OPENING DATE REMAINS UNCHANGED: 3/13/2012 AT 1:30P		
				END OF ADDENDUM NO.1		
				NO OTHER CHANGES.		
C001	1	JB		962-73		
				RECLAMATION: RESTORATION OF LAND & OTHER PROPERTIES		
				***** THIS IS THE END OF RFQ DEP15718 ***** TOTAL:		

SEE REVERSE SIDE FOR TERMS AND CONDITIONS

SIGNATURE	TELEPHONE	DATE
TITLE	FEIN	ADDRESS CHANGES TO BE NOTED ABOVE

WHEN RESPONDING TO RFQ, INSERT NAME AND ADDRESS IN SPACE ABOVE LABELED 'VENDOR'

## GENERAL TERMS & CONDITIONS REQUEST FOR QUOTATION (RFQ) AND REQUEST FOR PROPOSAL (RFP)

1. Awards will be made in the best interest of the State of West Virginia.
2. The State may accept or reject in part, or in whole, any bid.
3. Prior to any award, the apparent successful vendor must be properly registered with the Purchasing Division and have paid the required \$125 fee.
4. All services performed or goods delivered under State Purchase Order/Contracts are to be continued for the term of the Purchase Order/Contracts, contingent upon funds being appropriated by the Legislature or otherwise being made available. In the event funds are not appropriated or otherwise available for these services or goods this Purchase Order/Contract becomes void and of no effect after June 30.
5. Payment may only be made after the delivery and acceptance of goods or services.
6. Interest may be paid for late payment in accordance with the *West Virginia Code*.
7. Vendor preference will be granted upon written request in accordance with the *West Virginia Code*.
8. The State of West Virginia is exempt from federal and state taxes and will not pay or reimburse such taxes.
9. The Director of Purchasing may cancel any Purchase Order/Contract upon 30 days written notice to the seller.
10. The laws of the State of West Virginia and the *Legislative Rules* of the Purchasing Division shall govern the purchasing process.
11. Any reference to automatic renewal is hereby deleted. The Contract may be renewed only upon mutual written agreement of the parties.
12. **BANKRUPTCY:** In the event the vendor/contractor files for bankruptcy protection, the State may deem this contract null and void, and terminate such contract without further order.
13. **HIPAA BUSINESS ASSOCIATE ADDENDUM:** The West Virginia State Government HIPAA Business Associate Addendum (BAA), approved by the Attorney General, is available online at [www.state.wv.us/admin/purchase/vrc/hipaa.html](http://www.state.wv.us/admin/purchase/vrc/hipaa.html) and is hereby made part of the agreement provided that the Agency meets the definition of a Cover Entity (45 CFR §160.103) and will be disclosing Protected Health Information (45 CFR §160.103) to the vendor.
14. **CONFIDENTIALITY:** The vendor agrees that he or she will not disclose to anyone, directly or indirectly, any such personally identifiable information or other confidential information gained from the agency, unless the individual who is the subject of the information consents to the disclosure in writing or the disclosure is made pursuant to the agency's policies, procedures, and rules. Vendor further agrees to comply with the Confidentiality Policies and Information Security Accountability Requirements, set forth in <http://www.state.wv.us/admin/purchase/privacy/noticeConfidentiality.pdf>.
15. **LICENSING:** Vendors must be licensed and in good standing in accordance with any and all state and local laws and requirements by any state or local agency of West Virginia, including, but not limited to, the West Virginia Secretary of State's Office, the West Virginia Tax Department, and the West Virginia Insurance Commission. The vendor must provide all necessary releases to obtain information to enable the director or spending unit to verify that the vendor is licensed and in good standing with the above entities.
16. **ANTITRUST:** In submitting a bid to any agency for the State of West Virginia, the bidder offers and agrees that if the bid is accepted the bidder will convey, sell, assign or transfer to the State of West Virginia all rights, title and interest in and to all causes of action it may now or hereafter acquire under the antitrust laws of the United States and the State of West Virginia for price fixing and/or unreasonable restraints of trade relating to the particular commodities or services purchased or acquired by the State of West Virginia. Such assignment shall be made and become effective at the time the purchasing agency tenders the initial payment to the bidder.

I certify that this bid is made without prior understanding, agreement, or connection with any corporation, firm, limited liability company, partnership, or person or entity submitting a bid for the same material, supplies, equipment or services and is in all respects fair and without collusion or fraud. I further certify that I am authorized to sign the certification on behalf of the bidder or this bid.

---

### INSTRUCTIONS TO BIDDERS

1. Use the quotation forms provided by the Purchasing Division. Complete all sections of the quotation form.
2. Items offered must be in compliance with the specifications. Any deviation from the specifications must be clearly indicated by the bidder. Alternates offered by the bidder as **EQUAL** to the specifications must be clearly defined. A bidder offering an alternate should attach complete specifications and literature to the bid. The Purchasing Division may waive minor deviations to specifications.
3. Unit prices shall prevail in case of discrepancy. All quotations are considered F.O.B. destination unless alternate shipping terms are clearly identified in the quotation.
4. All quotations must be delivered by the bidder to the office listed below prior to the date and time of the bid opening. Failure of the bidder to deliver the quotations on time will result in bid disqualifications: Department of Administration, Purchasing Division, 2019 Washington Street East, P.O. Box 50130, Charleston, WV 25305-0130
5. Communication during the solicitation, bid, evaluation or award periods, except through the Purchasing Division, is strictly prohibited (W.Va. C.S.R. §148-1-6.6).

## **Addendum #1 - Questions During Pre-Bid Meeting**

### **For DEP 15718**

#### **Overfield (Lafferty) CS DPE & Portal Project**

The following comments and questions were identified from the Pre-Bid Conference. The answers provided herein take precedence over verbal answers at the PBC should there be any conflict between the two.

#### **COMMENTS:**

As conditions for the encroachment permit for this project, WVDOH requested revisions to the design involving the work taking place in the WVDOH ROW. This request involves placing the proposed Bid Item 5.6 Grouted Riprap Bank Protection along WV Route 57 with a DOH Drainage Structure consisting of the installation of ±104 linear feet of 24-inch HDPE pipe, a 30-inch Nyloplast riser, two (2) flared end sections, rock outlet protection and grouted riprap inlet protection. Enclosed for your use are Exhibit 1, revised Bid Schedule and revised Technical Specifications.

#### **INDEX - EXHIBIT 1:**

1. Site Plan
2. Riser Plan
3. Channel Profiles
4. Typical Detail – Rock Outlet Protection
5. Nyloplast Storm Drainage Systems – Order Form
6. Nyloplast – Drain Basin with Solid Cover Quick Installation Detail
7. Nyloplast – 30 in. Solid Cover Assembly – Type 8 Typical Detail
8. ADS Flared End Section Specification

#### **CLARIFICATIONS:**

1. The WV Route 57 with a DOH Drainage Structure (plans, profiles and details shown in Exhibit 1) shall replace the “Grouted Riprap Bank Protection” as shown on Plan Sheet 9 of Overfield (Lafferty) CS & P Construction Plans dated August 2011.
2. Bid Item 5.6 originally “Grouted Riprap Bank Protection” measured by linear foot has been redefined as “Grouted Riprap Inlet Protection” and shall be measured per each.
3. Bid Item 5.7, “Rock Outlet Protection” has been added and shall be measured per lineal foot.
4. The installation of the riser structure with solid cover and flared end sections shall be included in Bid Item 7.4, “24-Inch HDPE Pipe” and paid per lineal foot.

The following revised specifications shall replace the like numbered specifications in the Technical Specifications or be added to them as the case may be.

- 5.2.5 Grouted Riprap Inlet Protection shall consist of riprap with a  $D_{50}$  of 12" and grout shall be in accordance with Section 7.0.
- 5.2.6 Rock Outlet Protection shall consist of riprap with a  $D_{50}$  of 12" and shall be in accordance with Section 7.0.
- 5.4.5 Grouted Riprap Inlet Protection: Stone shall be placed over and around the riser structure as shown in Addendum 1 Exhibit 1. The stone on the face of the influent pipes and flared end sections shall be grouted to full penetration.
- 5.4.6 Rock Outlet Protection: The subgrade shall be prepared as shown on the typical detail. Filter fabric shall be placed over subgrade and secured with key-ins or anchor pins as required and stone shall be placed over fabric.
- 5.5.6 The method of measurement for Grouted Riprap Inlet Protection installation and maintenance in conformance with the specifications and accepted by the WVDEP shall be on per each and shall include all necessary materials, supplies, labor and equipment for installation.
- 5.5.7 The method of measurement for Rock Outlet Protection installation and maintenance in conformance with the specifications and accepted by the WVDEP shall be on per linear foot and shall include all necessary materials, supplies, labor and equipment for installation.
- 5.5.8 Any additional sediment control, i.e. wattles, sumps etc., installed by the contractor to meet any applicable State or Federal Law or Regulation shall be the Contractor's sole responsibility and all costs pursuant thereto shall be born fully by the Contractor. However, any additional sediment control approved by the WVDEP prior to placement shall be included for measurement.
- 5.6.6 Grouted Riprap Inlet Protection shall be based on the contract unit price bid for the following items, which price and payment shall be full compensation for all materials, labor, equipment and incidentals necessary to perform the work. Additionally, payments shall constitute full compensation for any required maintenance, sediment removal and disposal.
- 5.6.7 Rock Outlet Protection shall be based on the contract unit price bid for the following items, which price and payment shall be full compensation for all materials, labor, equipment and incidentals necessary to perform the work. Additionally, payments shall constitute full compensation for any required maintenance, sediment removal and disposal.

#### 5.7 Pay Item

Item 5.6 "Grouted Riprap Inlet Protection", per each.

Item 5.7 "Rock Outlet Protection," per linear foot.

- 7.2.7** Nyloplast Drain Basin to be custom manufactured according to plan details (see Addendum 1 Exhibit 1 – Nyloplast Storm Drain Systems Order Form). The drain basin shall be manufactured from PVC pipe stock, utilizing a thermo-molding process to reform the pipe stock to the specified configuration. The drainage pipe connection stubs shall be manufactured from PVC pipe stock and formed to provide a watertight connection with the specified pipe system. This joint tightness shall conform to ASTM D3212 for joints for drain and sewer plastic pipe using flexible elastomeric seals. The flexible elastomeric seals shall conform to ASTM F477. The pipe bell spigot shall be joined to the main body of the drain basin or catch basin. The raw material used to manufacture the pipe stock that is used to manufacture the main body and pipe stubs of the surface drainage inlets shall conform to ASTM D1784 cell class 12454.
- 7.2.8** The grates and frames furnished for all drainage inlets shall be ductile iron and shall be made specifically for each basin so as to provide a round bottom flange that closely matches the diameter of the surface drainage inlet. Grates for drain basins shall be capable of supporting H-20 wheel loading for traffic. Metal used in the manufacture of the castings shall conform to ASTM A536 grade 70-50-05 for ductile iron. Grates shall be provided painted black.
- 7.2.9** Flared End Sections shall be high density polyethylene meeting ASTM D3350 minim cell classification 213320C as produced by ADS, Inc. Metal threaded fastening rods shall be stainless steel. Alternate flared end section products shall be approved by the WVDEP-AML.
- 7.2.10** The erosion control matting for the grass lined channels (diversion channels) shall consist of Excelsior Type I Curlex lining or an approved equal.
- 7.3.5** The 30-inch Nyloplast drain basin and solid cover shall be installed per manufactures recommendation.
- 7.3.6** Flared End Sections shall be installed per manufactures recommendations.
- 7.3.7** Existing channels located within the project limits shall be cleaned to provide positive drainage to the inverts of the downstream structures and ensure free flowing conditions within the ditch as directed by the Engineer, at the locations identified on the plans. The channel cleanings shall be disposed of on-site in a location approved by the Engineer or off-site in accordance with Sections VII and VIII of the Special Provisions of these Specifications.
- 7.5.4** The unit price for "24-Inch HDPE Pipe" shall include the cost of trench excavation and backfilling, including waste disposal, furnishing and placement of select aggregate bedding, HDPE pipe, Nyloplast riser structure with solid cover, flared end sections and all other items necessary for construction. The Nyloplast riser structure with solid cover and flared end sections will not be measured but shall be considered incidental to the installation of the HDPE pipe. The cost of these incidental items shall be included in the unit price bid for the "24-Inch HDPE Pipe".

**QUESTIONS:****Site 1:**

1. Does the diversion ditch have to be installed prior to the construction of the retaining wall?  
A.) Yes
2. How is the relocation of the utility pole to be accomplished?  
A.) In coordination with the utility company and the property owner.
3. Does the work performed in the yard area require hand raking?  
A.) Yes
4. Is access to the work areas for the retaining wall construction and the mine seal installation indicated on the plans?  
A.) Access is provided by existing roads identified on the plans and the access road proposed for construction for access to the mine entry.
5. Is the pay item provided for "Seep Collector" separate from the underdrain associated with the retaining wall?  
A.) Yes
6. Is the over excavation required for the installation of the 8' grouted riprap "Vee" channel for STA 0+50 to STA 4+50 as shown on the x-sections included in the quantity for the "Unclassified Excavation" pay item?  
A.) Yes
7. What does the "Fence Replacement" pay item entail?  
A.) Relocating the existing electric fence to the location shown on the plans in order to segregate/isolate the reclaimed area from encroachment by livestock.
8. Does the scattered debris/junk need to be removed from the site?  
A.) Only the material located within the construction limits is subject to removal and disposal.
9. Is the weight limit for the bridge known?  
A.) There is no weight limit posted from WVDOH for the bridge.

The Contractor shall have 90 days from the date of the Notice to Proceed to complete construction activities on the project. The \$250.00 per day liquidated damages clause will be in effect after the 90 days. However, the total performance period will be 365 days from the date of the Notice to Proceed for invoicing purposes.

**Overfield (Lafferty) CS & P**  
**Requisition # DEP15718**  
 Contractor's Bid Sheet

Company Name:

Address:

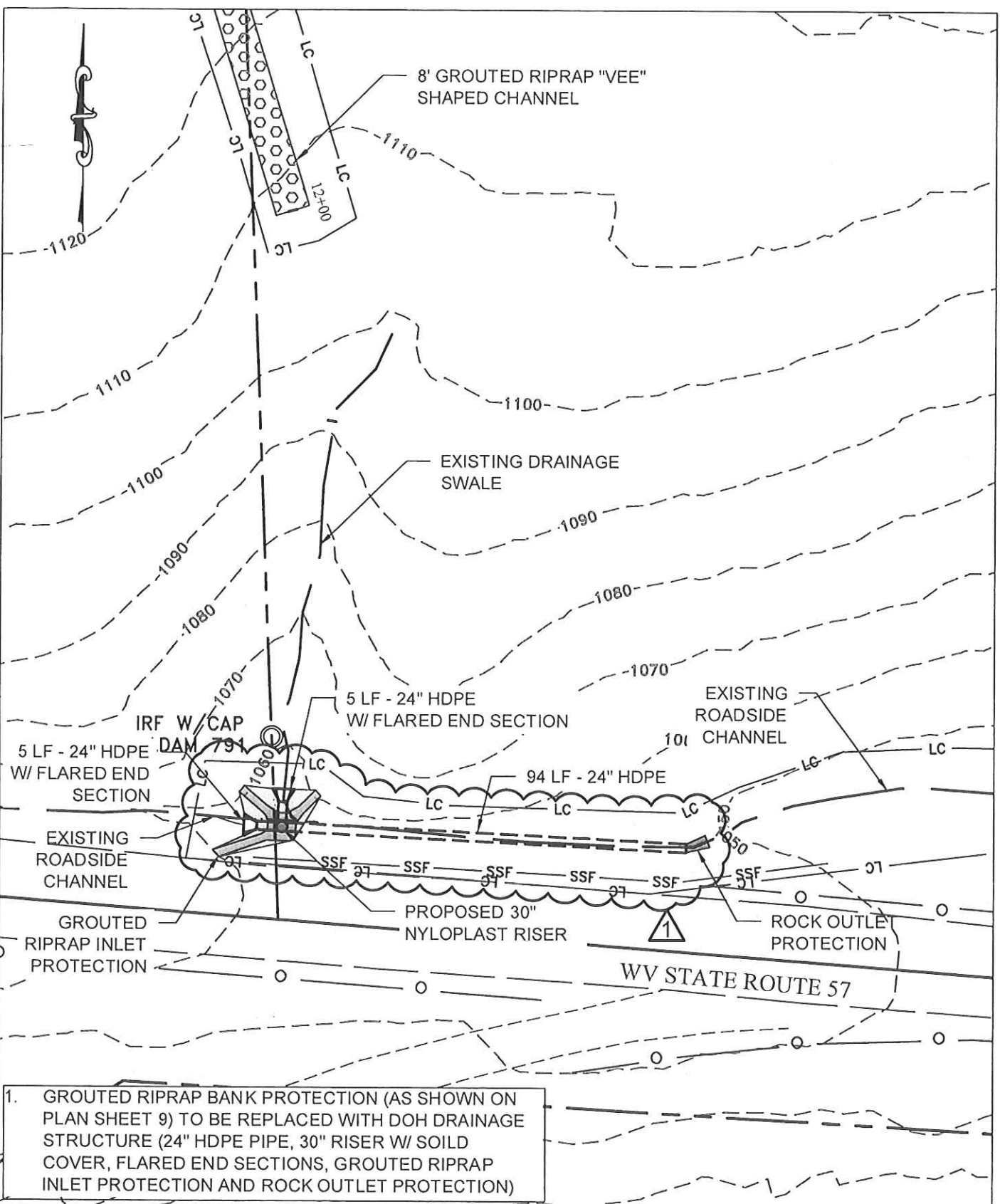
---

**The DEP reserves the right to request additional information and supporting documentation regarding unit prices when the unit price appears to be unreasonable.**

ITEM NO.	Qty	Unit	DESCRIPTION	UNIT PRICE	AMOUNT
1.0	1	LS	Mobilization and Demobilization (Limited to 10% of Total Bid)	LS	
2.0	1	LS	Construction Layout Stakes (Limited to 5% of Total Bid)	LS	
3.0	1	LS	Quality Control (Limited to 3% of Total Bid)	LS	
4.1	1	LS	Site Preparation (Limited to 10% of Total Bid)	LS	
4.2	550	TON	Access Road Rehabilitation		
5.1	2,315	LF	Super Silt Fence		
5.2	100	LF	Silt Fence		
5.3	9,760	SY	Rolled Erosion Control Products		
5.4	3	EA	Stabilized Construction Entrance		
5.5	8	EA	Rock Check Dam		
5.6	1	EA	Grouted Riprap Inlet Protection		
5.7	5	LF	Rock Outlet Protection		
6.0	5.0	AC	Vegetation		
6.1	10	TON	Refuse Lime Layer		
7.1	1,110	LF	8-Foot Grouted Riprap Channel		
7.2	1,228	LF	6-Foot Diversion Channel (Vegetated)		
7.3	1,065	LF	Channel Rehabilitation		
7.4	235	LF	24-Inch HDPE Pipe		
8.0	3,600	CY	Unclassified Excavation		
9.1	1	EA	Wet/Modified Mine Seal		
9.3	13	BG	Soda Ash Briquettes (50 lb. bag)		
9.4	5	LF	12-Inch Conveyance Pipe		
10.1	100	LF	Seep Collector		
10.2	50	LF	8-Inch Conveyance Pipe		
12.0	1	LS	Retaining Wall		
			<b>TOTAL</b>		

PLOT DATE/TIME: 2/14/2012 - 3:26pm

CAD FILE: C:\Users\arohrbaugh\appdata\local\temp\AcPublish\_6524\Addendum #1.dwg



1. GROUTED RIPRAP BANK PROTECTION (AS SHOWN ON PLAN SHEET 9) TO BE REPLACED WITH DOH DRAINAGE STRUCTURE (24" HDPE PIPE, 30" RISER W/ SOILD COVER, FLARED END SECTIONS, GROUTED RIPRAP INLET PROTECTION AND ROCK OUTLET PROTECTION)

**THRASHER**  
ENGINEERING

3000 THAYER CENTER  
OAKLAND, MD 21550  
PHONE 301-334-3866

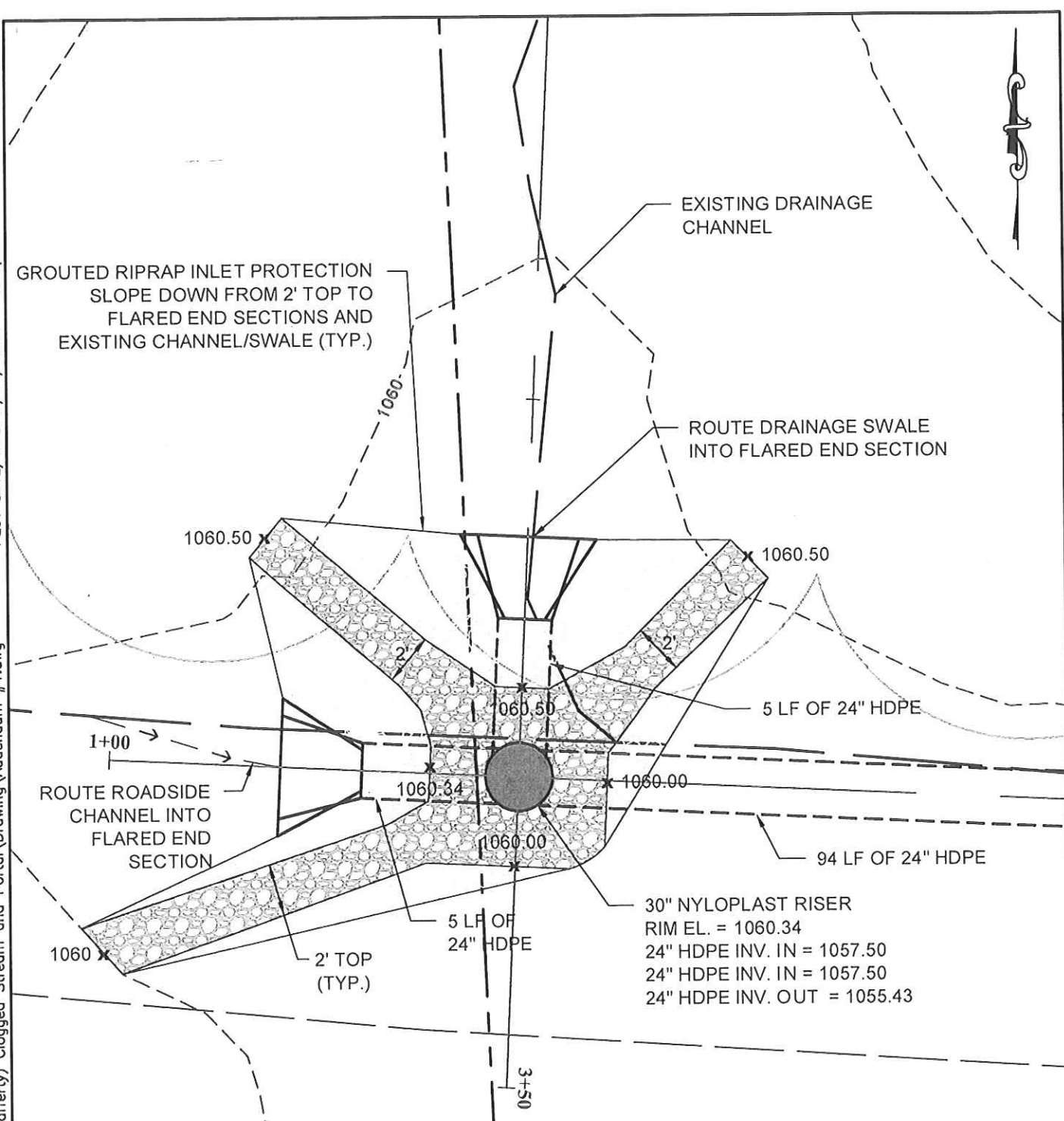
OVERFIELD (LAFFERTY) CS & P  
ADDENDUM 1  
WV RT. 57 DOH DRAINAGE STRUCTURE  
SITE PLAN

SCALE: 1" = 30'  
FEBRUARY 14, 2012  
EXHIBIT 1  
1 OF 8



PLOT DATE/TIME: 2/14/2012 - 4:47pm

CAD FILE: R:\025-0110 AML Overfield (Lafferty) Clogged Stream and Portal\Drawing\Addendum #1.dwg



NOTES:

1. THE RISER STRUCTURE W/ SOLID COVER AND FLARED END SECTIONS ARE INCIDENTAL TO THE INSTALLATION OF THE 24-INCH HDPE PIPE (PAY ITEM 7.4)
2. THE NYLOPLAST RISER STRUCTURE AND FLARED END SECTIONS SHALL BE INSTALLED PER MANUFACTURERS RECOMMENDATIONS
3. THE STON ON THE FACE OF HTE INFLUENT PIPES AND FLARED END SECTIONS SHALL BE GROUTED TO FULL PENETRATION.



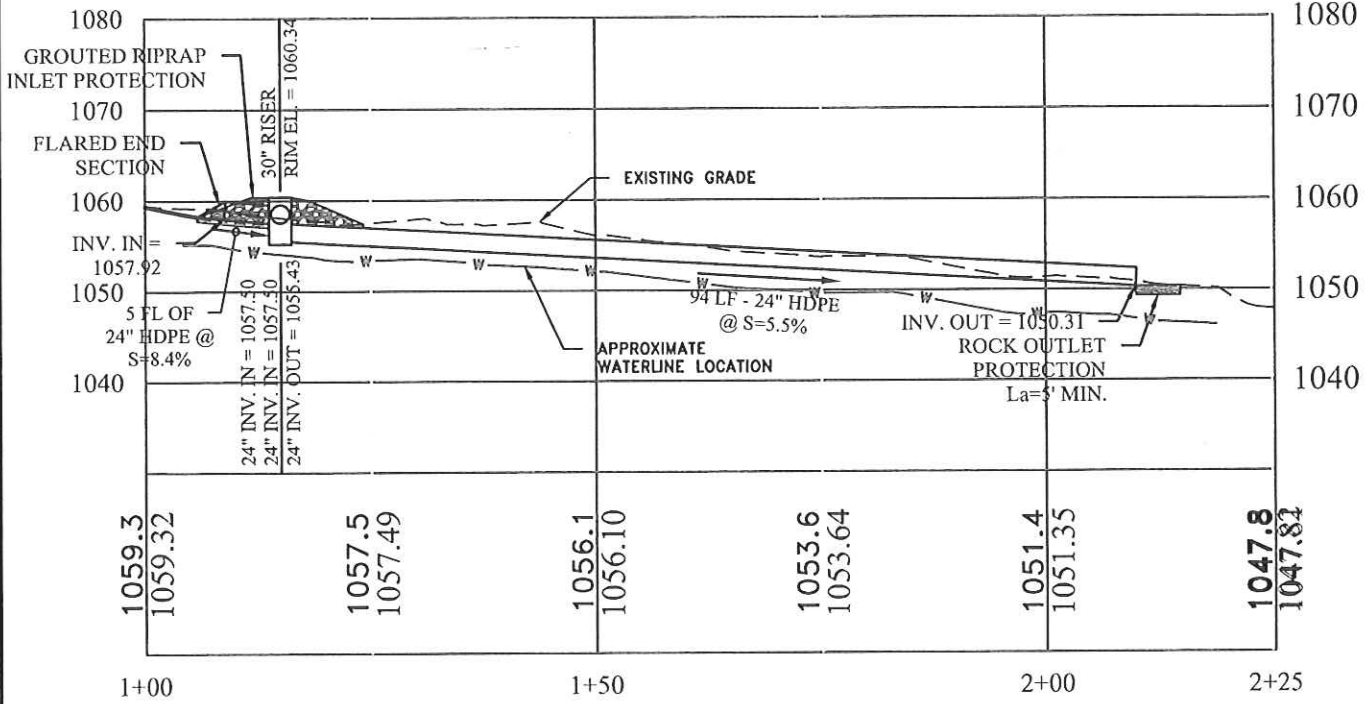
3000 THAYER CENTER  
OAKLAND, MD 21550  
PHONE 301-334-3866

OVERFIELD (LAFFERTY) CS & P  
ADDENDUM 1  
WV RT. 57 DOH DRAINAGE STRUCTURE  
RISER PLAN

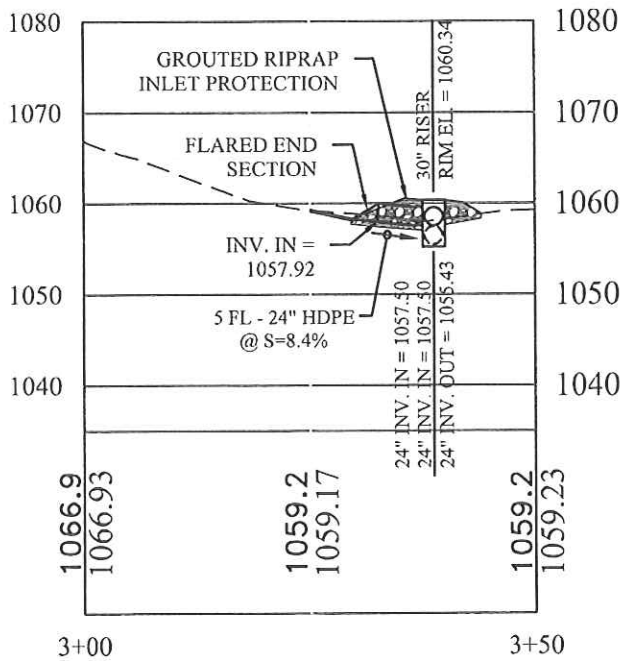
SCALE: 1" = 5'  
FEBRUARY 14, 2012

EXHIBIT 1  
2 OF 8

# ROADSIDE CHANNEL



# DRAINAGE SWALE



PLOT DATE/TIME: 2/14/2012 - 3:26pm

CAD FILE: C:\Users\arohrbaugh\appdata\local\temp\AcPublish\_6524\Addendum #1.dwg

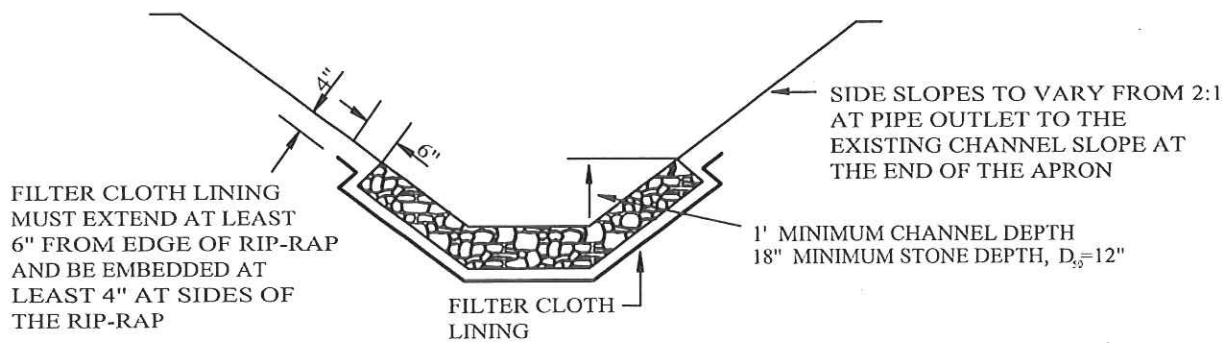
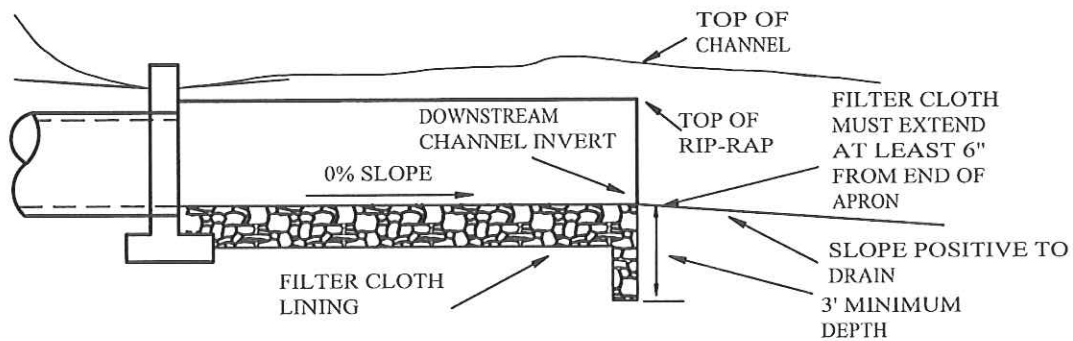
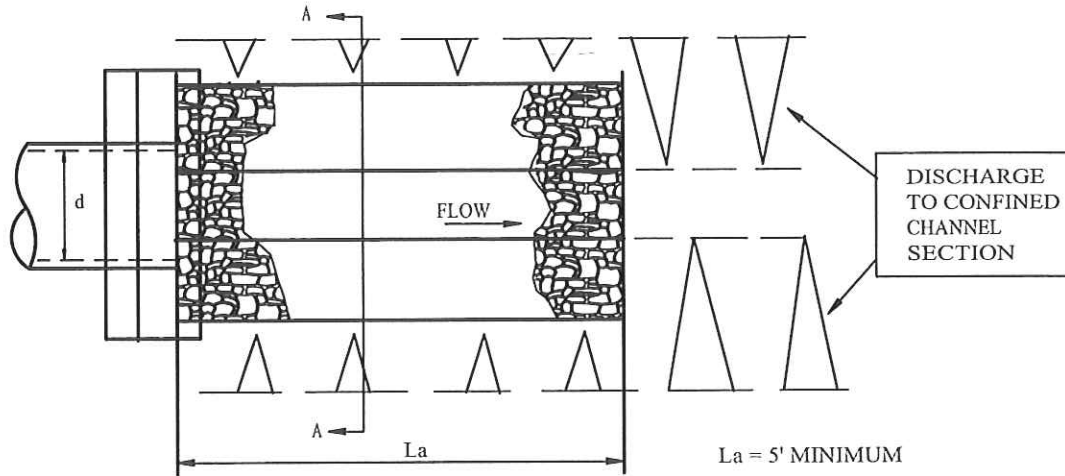


3000 THAYER CENTER  
OAKLAND, MD 21550  
PHONE 301-334-3866

OVERFIELD (LAFFERTY) CS & P  
ADDENDUM 1  
WV RT. 57 DOH DRAINAGE STRUCTURE  
CHANNEL PROFILES

SCALE: 1" = 20'  
FEBRUARY 14, 2012  
EXHIBIT 1  
3 OF 8

# ROCK OUTLET PROTECTION



NOTE: FILTER CLOTH SHALL BE TYPE 'SE' GEOTEXTILE

PLOT DATE/TIME: 2/14/2012 - 3:26pm

CAD FILE: C:\Users\arohrbaugh\appdata\local\temp\AcPublish\_6524\Addendum #1.dwg

**THRASHER**  
ENGINEERING

3000 THAYER CENTER  
OAKLAND, MD 21550  
PHONE 301-334-3866

OVERFIELD (LAFFERTY) CS & P  
ADDENDUM 1  
WV RT. 57 DRAINAGE STRUCTURE  
TYPICAL DETAIL

NOT TO SCALE  
FEBRUARY 14, 2012  
EXHIBIT  
4 OF 8

Project # 3772-00 **Nyloplast Storm Drainage Systems** Prepared by Drew Lane

**Order Form**

Drain Basins  
Curb Inlet Structures  
Road & Hwy. Structures

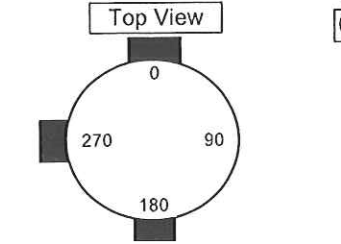
Order # \_\_\_\_\_

**Nyloplast**

Job Name **Overfield - DOH** Date **2/14/2012** Accessories

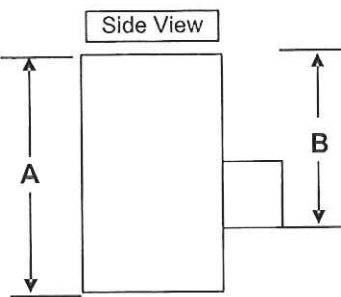
Drawing # **1** Customer Initial \_\_\_\_\_ Refer to "Price Book" or "Price List" for part numbers and details.

Drain Basin Size **30** Grate Style **SOLID** Add-A-Branch (qty/Size)



(For Roll Curb Inlet, Left or Right flow)  Left  Right

Stub #	Stub Size	Location	Type of Pipe
Stub #1	24	0	HDPE
Stub #2	24	180	HDPE
Stub #3	24	270	HDPE
Stub #4			



**NOTE: OUTFLOW PIPE LOCATED AT ZERO DEGREES**

A - Overall Height (Inches)	B - Top of Basin to Bottom of Stub (Flowline) (Inches)
<b>68.88</b>	Stub #1 <b>58.92</b>
	Stub #2 <b>34.08</b>
	Stub #3 <b>34.08</b>
	Stub #4

Flexstorm Filter Insert  
Long  Short

**NOTE: A separate Order form is used (NP131) for Snout ® Structure/Weir Structures**

**NOTE: Drawings need to be Complete. This product is made to order and non-Refundable**

NYLOPLAST: 3130 Verona Ave. Buford, GA 30518. 866-888-8479 & 770-932-2443 - Fax: 678-244-0034

Nyloplast ® and Add-A-Branch ™ are registered trademarks of Nyloplast.  
Snout ® is a registered trademark of BMP Inc. and is protected by US patent #6126817. © 2006 Nyloplast

**Production order forms are based on interpretations of provided storm details.  
Customer is responsible for confirmation of information and final approval of order form.**

# NYLOPLAST DRAIN BASIN WITH SOLID COVER

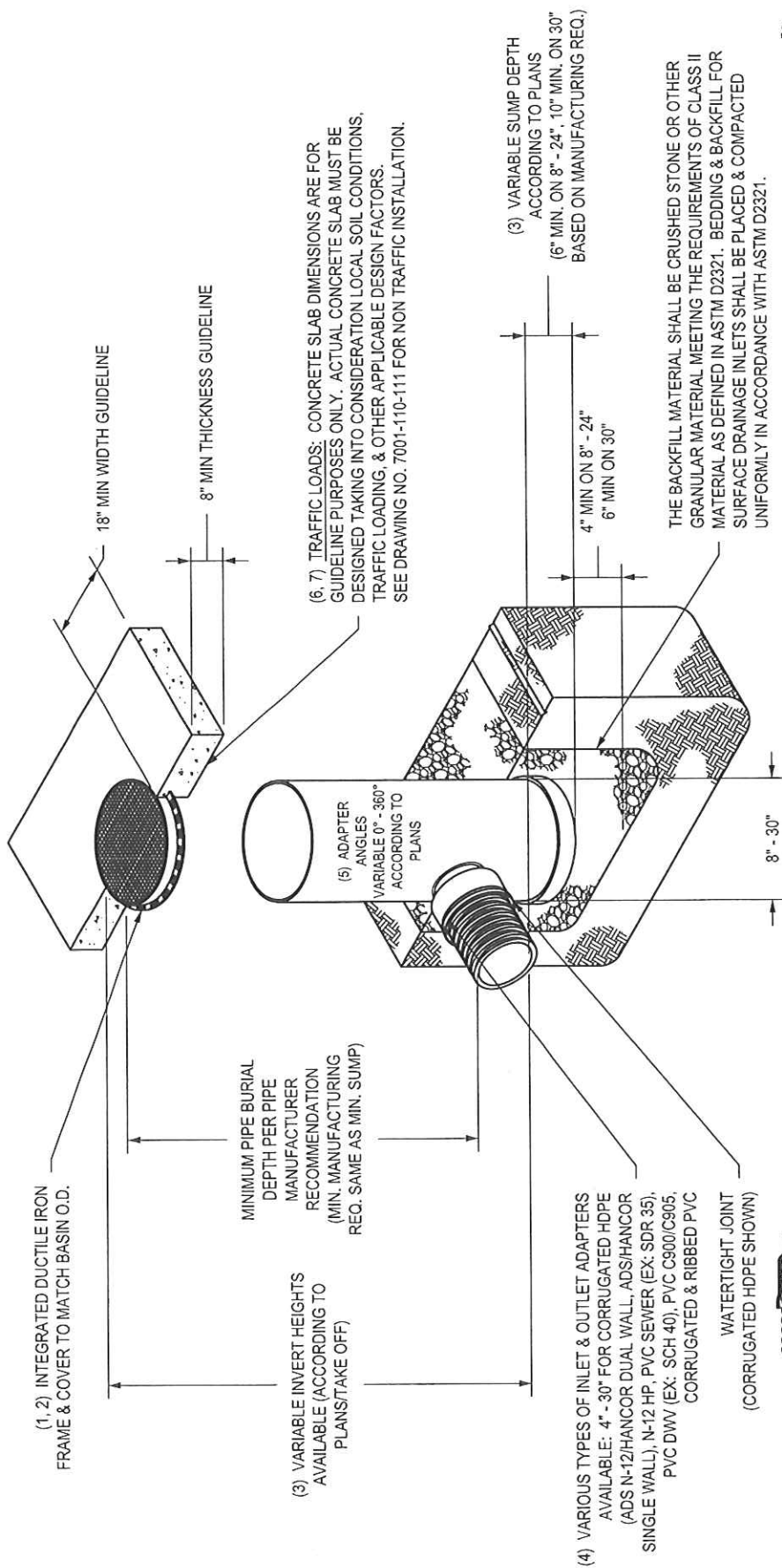


EXHIBIT 1  
SHEET 6 OF 8

- 1 - 8" - 30" SOLID COVERS SHALL BE DUCTILE IRON PER ASTM A536 GRADE 70-50-05.
- 2 - 12" - 30" FRAMES SHALL BE DUCTILE IRON PER ASTM A536 GRADE 70-50-05.
- 8" & 10" SOLID COVERS FIT DIRECTLY ONTO DRAIN BASINS WITH THE USE OF A PVC BODY TOP. SEE DRAWING NO. 7001-110-045.
- 3 - DRAIN BASIN TO BE CUSTOM MANUFACTURED ACCORDING TO PLAN DETAILS. RISERS ARE NEEDED FOR BASINS OVER 84" DUE TO SHIPPING RESTRICTIONS. SEE DRAWING NO. 7001-110-065.
- 4 - DRAINAGE CONNECTION STUB JOINT TIGHTNESS SHALL CONFORM TO ASTM D3212 FOR CORRUGATED HDPE (ADS N-12/HANCOR DUAL WALL, N-12 HP, & PVC SEWER (4" - 24").
- 5 - ADAPTERS CAN BE MOUNTED ON ANY ANGLE 0° TO 360°. TO DETERMINE MINIMUM ANGLE BETWEEN ADAPTERS SEE DRAWING NO. 7001-110-012.
- 6 - 12" - 30" SOLID COVERS SHALL MEET H-20 LOAD RATING.
- 7 - 8" & 10" SOLID COVERS ARE RATED FOR LIGHT DUTY APPLICATIONS ONLY; NO CONCRETE COLLAR NEEDED FOR LIGHT DUTY RATING.

THIS PRINT DISCLOSES SUBJECT MATTER IN WHICH NYLOPLAST HAS PROPRIETARY RIGHTS. THE RECEIPT OR POSSESSION OF THIS PRINT DOES NOT CONFER, TRANSFER, OR LICENSE THE USE OF THE DESIGN OR TECHNICAL INFORMATION SHOWN HEREIN. REPRODUCTION OF THIS PRINT OR ANY INFORMATION CONTAINED HEREIN, OR MANUFACTURE OF ANY ARTICLE HEREFROM, FOR THE DISCLOSURE TO OTHERS IS FORBIDDEN, EXCEPT BY SPECIFIC WRITTEN PERMISSION FROM NYLOPLAST. ©2010 NYLOPLAST		DRAWN BY EBC 9-14-07	MATERIAL	3130 VERONA AVE BUFORD, GA 30518 PHN (770) 932-2443 FAX (770) 932-2490 www.nyloplast-us.com
REVISOR BY EBC 3-14-10	PROJECT NO./NAME	DATE 3-14-10	NYloplast®	TITLE DRAIN BASIN WITH SOLID COVER QUICK SPEC INSTALLATION DETAIL
DWG SIZE A	SCALE 1:40	SHEET 1 OF 1	DWG NO. 7001-110-298	REV B

# 3099CGC

APPROX. WEIGHT WITH FRAME = 262.50 LBS

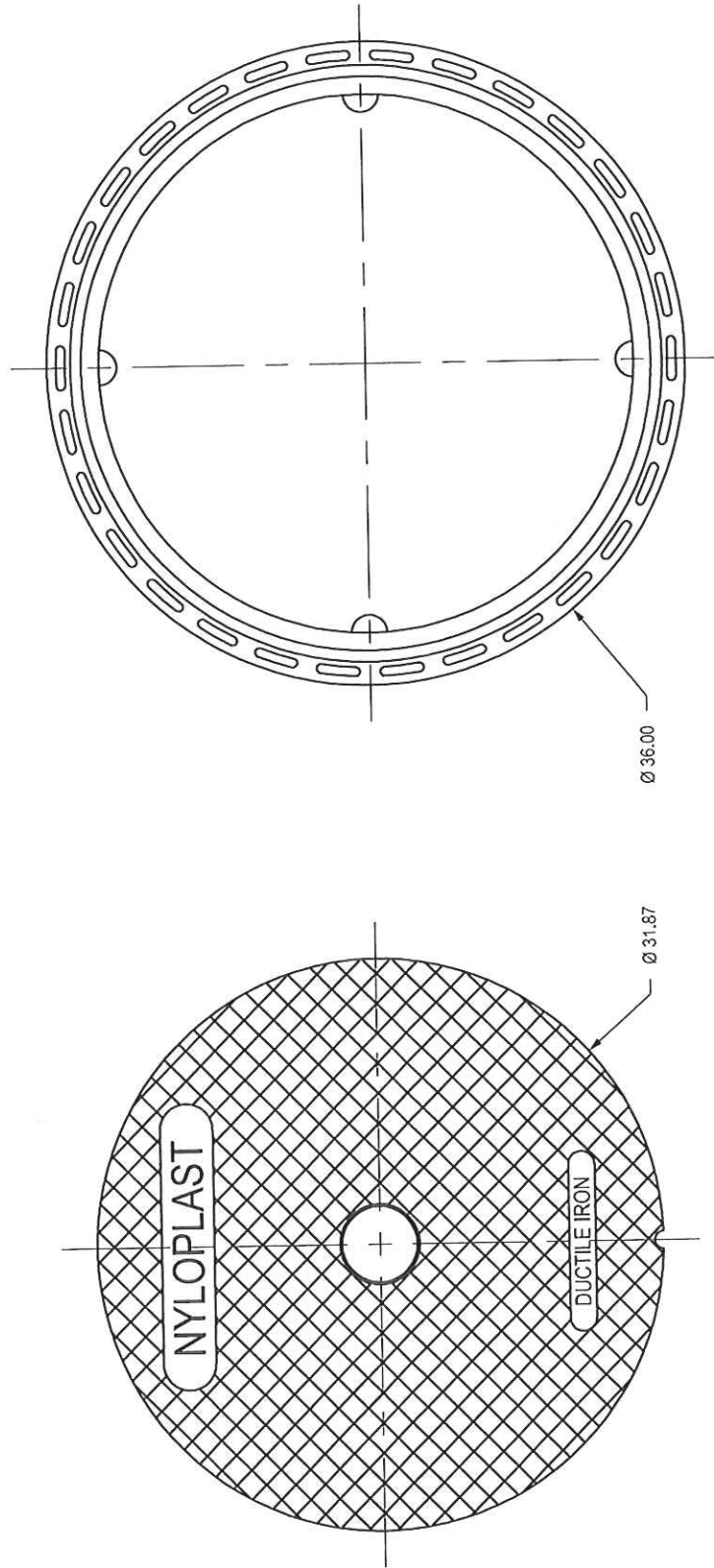
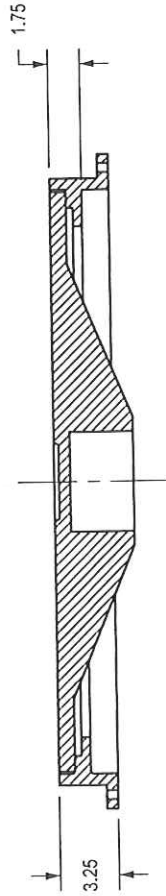


EXHIBIT 1  
SHEET 7 OF 8

3130 VERONA AVE BUFORD, GA 30518 PHN (770) 932-2443 FAX (770) 932-2490 www.nyloplast-us.com				30 IN SOLID COVER ASSEMBLY - TYPE B	
DRAWN BY EBC DATE 3-8-06		MATERIAL DUCTILE IRON		TITLE	
REVISED BY EBC DATE 3-13-10		PROJECT NO./NAME		DWG NO. 7001-110-222	
DWG SIZE A		SCALE 1:10		SHEET 1 OF 1	
THIS PRINT DISCLOSES SUBJECT MATTER IN WHICH NYLOPLAST HAS PROPRIETARY RIGHTS. THE RECEIPT OR POSSESSION OF THIS PRINT DOES NOT CONFER, TRANSFER, OR LICENSE THE USE OF THE DESIGN OR TECHNICAL INFORMATION SHOWN HEREIN. REPRODUCTION OF THIS PRINT OR ANY INFORMATION CONTAINED HEREIN, OR MANUFACTURE OF ANY ARTICLE HEREFROM, FOR THE DISCLOSURE TO OTHERS IS FORBIDDEN, EXCEPT BY SPECIFIC WRITTEN PERMISSION FROM NYLOPLAST.		©2010 NYLOPLAST		REV C	

DIMENSIONS ARE FOR REFERENCE ONLY  
 ACTUAL DIMENSIONS MAY VARY  
 DIMENSIONS ARE IN INCHES  
 GRATE MEETS H-20 LOAD RATING  
 QUALITY: MATERIALS SHALL CONFORM TO ASTM A536 GRADE 70-50-05  
 PAINT: CASTINGS ARE FURNISHED WITH A BLACK PAINT  
 LOCKING DEVICE AVAILABLE UPON REQUEST SEE DRAWING NO. 7001-110-026

## ADS FLARED END SECTION SPECIFICATION

### Scope

This specification describes 12- through 36-inch (300 to 900mm) ADS Flared End Sections for use in culvert and drainage outlet applications.

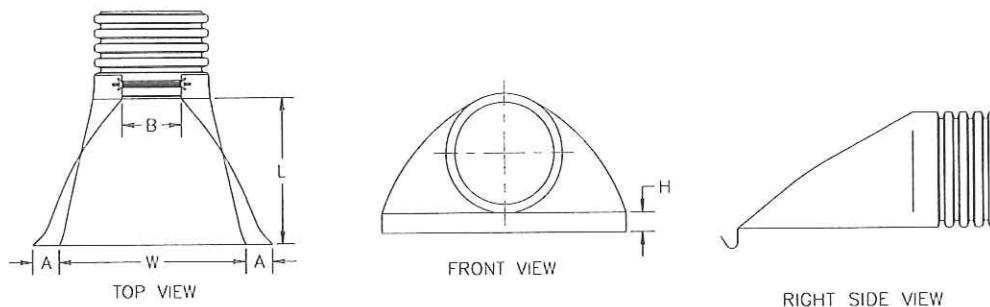
### Requirements

The invert of the pipe and the end section shall be at the same elevation. The ADS Flared End Section shall be high density polyethylene meeting ASTM D3350 minimum cell classification 213320C; contact manufacturer for additional cell classification information. When provided, the metal threaded fastening rod shall be stainless steel.

### Installation

Installation shall be in accordance with ADS installation instructions and with those issued by state or local authorities. Contact your local ADS representative or visit [www.ads-pipe.com](http://www.ads-pipe.com) for the latest installation instructions.

PIPE DIAMETER, in (mm)						
Diameter in (mm)	12 (300)	15 (375)	18 (450)	24 (600)	30 (750)	36 (900)
A in (mm)	6.5 (165)	6.5 (165)	7.5 (191)	7.5 (191)	7.5 (191)	7.5 (191)
B (max) in (mm)	10.0 (254)	10.0 (254)	15.0 (381)	18.0 (475)	22.0 (559)	25.0 (635)
H in (mm)	6.5 (165)	6.5 (165)	6.5 (165)	6.5 (165)	8.6 (218)	8.6 (218)
L in (mm)	25.0 (635)	25.0 (635)	32.0 (813)	36.0 (914)	58.0 (1473)	58.0 (1473)
W in (mm)	29.0 (737)	29.0 (737)	35.0 (889)	45.0 (1143)	63.0 (1600)	63.0 (1600)



Product detail may differ slightly from actual product appearance.

**SIGN IN SHEET**

Page 1 of 4

PLEASE PRINT

Request for Proposal No. RF15718

Date: 2/16/12

\* PLEASE BE SURE TO PRINT LEGIBLY - IF POSSIBLE, LEAVE A BUSINESS CARD

FIRM & REPRESENTATIVE NAME	MAILING ADDRESS	TELEPHONE & FAX NUMBERS
Company: <u>GREEN MOUNTAIN COMPANY</u>	<u>511 50<sup>th</sup> ST</u>	PHONE <u>304-925-0253</u>
Rep: <u>DAVID H. BOWMAN</u>	<u>Charleston WV</u>	TOLL FREE _____
Email Address: <u>DHB722@yahoo.com</u>	<u>25304</u>	FAX <u>304-925-9230</u>
Company: <u>DCI SPINAS INC</u>	<u>Box 1209</u>	PHONE <u>304-673-9350</u>
Rep: <u>Bob Bartenberg</u>	<u>Blue Hill Way 29201</u>	TOLL FREE _____
Email Address: <u>Bob.Bartenberg@dcispinas.com</u>		FAX <u>304-329-2027</u>
Company: <u>ALL-CON, LLC</u>	<u>174 PHILPOTT LANE</u>	PHONE <u>3047310190</u>
Rep: <u>DAVID IRUE</u>	<u>BOWER WV 25813</u>	TOLL FREE _____
Email Address: <u>DIRUE@ACI-WV.COM</u>		FAX <u>304-255-4232</u>
Company: <u>GL Stone Inc</u>	<u>24 First St</u>	PHONE <u>304-824-3800</u>
Rep: <u>Allen Stone</u>	<u>Hamlin WV 25523</u>	TOLL FREE _____
Email Address: _____		FAX <u>304824-3848</u>
Company: <u>Aspen Corporation</u>	<u>2400 Eber Drive</u>	PHONE <u>304-763-4573</u>
Rep: <u>Ashley Atkins</u>	<u>Daniels WV 25832</u>	TOLL FREE _____
Email Address: <u>jadkins@aspen-cpt.com</u>		FAX <u>304-763-4591</u>



Date: 2/16/12

**SIGN IN SHEET**

PLEASE PRINT

Request for Proposal No. 015718

\* PLEASE BE SURE TO PRINT LEGIBLY - IF POSSIBLE, LEAVE A BUSINESS CARD

FIRM & REPRESENTATIVE NAME	MAILING ADDRESS	TELEPHONE & FAX NUMBERS
Company: <u>Collins Dillingard Consulting Inc.</u> Rep: <u>Major L. Collins Jr</u> Email Address: <u>Collins Building @ High2.net</u>	<u>3404 Coaly Rd</u> <u>Flatwoods, WV</u> <u>26021</u>	PHONE <u>304-765-3921</u> TOLL FREE FAX <u>304-765-3921</u>
Company: <u>Cowgill up inc</u> Rep: <u>Rick R Day</u> Email Address: <u>DCE-Cowgill up @ Earthlink</u>	<u>Box 243</u> <u>Simpson, WV</u> <u>26435</u>	PHONE <u>304-793-4397</u> TOLL FREE FAX <u>304-739-4401</u>
Company: <u>Thrasher Engineering</u> Rep: <u>Chad Biller April Robbapff</u> Email Address: <u>cbiller@thrashereng.com</u>	<u>30 Columbia Blvd</u> <u>Clarksburg WV 26302</u>	PHONE <u>304-624-4108</u> TOLL FREE FAX <u>304-624-7831</u>
Company: <u>BREAKAWAY INC</u> Rep: <u>Doug Vincent</u> Email Address: <u>doug@breakawaywv.com</u>	<u>1075 old Turnpike Rd</u> <u>Suber WV 26001</u>	PHONE <u>765-5317</u> TOLL FREE FAX <u>765-5389</u>
Company: <u>M.H. Haus Properties Inc</u> Rep: <u>MIKE Jarrett</u> Email Address: <u>mike.jarrett@yaho.com</u>	<u>1805 Smith Rd</u> <u>Charleston WV 25314</u>	PHONE <u>304-545-0408</u> TOLL FREE FAX

Date: 2/14/12

**SIGN IN SHEET**

PLEASE PRINT

Request for Proposal No. 15718

\* PLEASE BE SURE TO PRINT LEGIBLY - IF POSSIBLE, LEAVE A BUSINESS CARD

FIRM & REPRESENTATIVE NAME	MAILING ADDRESS	TELEPHONE & FAX NUMBERS
Company: <u>BARNES EXC. INC.</u>	<u>P.O. Box 13384</u>	PHONE <u>304-954-1725</u>
Rep: <u>Robert L. Barnes</u>	<u>Sissonville</u>	TOLL FREE
Email Address: <u>BARNES EXC @ AOL.COM</u>	<u>WV. 25360</u>	FAX <u>304-954-1725</u>
Company: <u>McCourt &amp; Son Const.</u>	<u>2740 Centralia Rd</u>	PHONE <u>304 765-5288</u>
Rep: <u>GARY LONG</u>	<u>Sutton WV 26601</u>	TOLL FREE
Email Address: <u>glong@wirefire.com</u>		FAX <u>304 765-5293</u>
Company: <u>EAGLE EXCAVATION INC.</u>	<u>P.O. BOX 218</u>	PHONE <u>(304) 372-4378</u>
Rep: <u>GEORGE FRESHOUR</u>	<u>KENNA WV 25248</u>	TOLL FREE
Email Address: <u>N/A</u>		FAX <u>(304) 372-4378</u>
Company: <u>JF Allen Co</u>	<u>PO BOX</u>	PHONE <u>304 472 8890</u>
Rep: <u>JAMIES ALLEN</u>	<u>2049 Scotchmanor Wd</u>	TOLL FREE
Email Address: <u>JAMIES.ALLEN@JFALLENCO.COM</u>	<u>26201</u>	FAX <u>304 472 8897</u>
Company: <u>SOLID ROCK EX. INC.</u>	<u>3106 Hudson Rd.</u>	PHONE <u>304-379-<del>4969</del> 9502</u>
Rep: <u>Ty Martin</u>	<u>Albright WV 26011</u>	TOLL FREE
Email Address: <u>solid_rock@frontier.net net</u>		FAX <u>304-379-4969</u>

**SIGN IN SHEET**

PLEASE PRINT

Request for Proposal No. RF95718

\* PLEASE BE SURE TO PRINT LEGIBLY - IF POSSIBLE, LEAVE A BUSINESS CARD

FIRM & REPRESENTATIVE NAME	MAILING ADDRESS	TELEPHONE & FAX NUMBERS
Company: <u>Botanica of WV</u>	<u>RR 6 Box 288 m</u>	PHONE <u><del>304</del> 246-446-0248</u>
Rep: <u>Troy Bigelow</u>	<u>Farmert WV 26554</u>	TOLL FREE
Email Address: <u>BotanicaWV@yahoo</u>		FAX <u>304-363-4240</u>
Company: <u>ESC Green River Group</u>	<u>Po Box 18039</u>	PHONE <u>304 594 3991</u>
Rep: <u>George Bohan</u>	<u>Morgantown WV 26508</u>	TOLL FREE
Email Address: <u>SCalvert@grr.com</u>		FAX <u>304 594 3992</u>
Company: _____	_____	PHONE
Rep: _____	_____	TOLL FREE
Email Address: _____	_____	FAX
Company: _____	_____	PHONE
Rep: _____	_____	TOLL FREE
Email Address: _____	_____	FAX
Company: _____	_____	PHONE
Rep: _____	_____	TOLL FREE
Email Address: _____	_____	FAX