



State of West Virginia
 Department of Administration
 Purchasing Division
 2019 Washington Street East
 Post Office Box 50130
 Charleston, WV 25305-0130

Request for Quotation

RFQ NUMBER
 DEP15705

PAGE
 1

ADDRESS CORRESPONDENCE TO ATTENTION OF
 GUY NISBET
 304-558-8802

RFQ COPY
 TYPE NAME/ADDRESS HERE

VENDOR

SHIP TO

ENVIRONMENTAL PROTECTION
 DEPT. OF
 OFFICE OF SPECIAL RECLAMATION
 601 57TH STREET SE
 CHARLESTON, WV
 25304 304-926-0499

DATE PRINTED	TERMS OF SALE	SHIP VIA	F.O.B.	FREIGHT TERMS
04/30/2012				

BID OPENING DATE: 05/22/2012 BID OPENING TIME 01:30PM

LINE	QUANTITY	UOP	CAT NO	ITEM NUMBER	UNIT PRICE	AMOUNT
0001	1	JB	962-73	RECLAMATION: RESTORATION OF LAND		

ADDENDUM NO.1

ADDENDUM FOR FOR THE "LO-MING COAL" RECLAMATION PROJECT ISSUED TO DISTRIBUTE THE FOLLOWING INFORMATION AND TO MOVE BID OPENING DATE PER THE FOLLOWING.

- Q&A'S FROM PRE-BID MEETING HELD: 04/18/2012
- CORRECTIONS BY BID-ITEM NUMBER
- REVISED BID SCHEDULE.
- REVISED TECHNICAL SPECIFICATIONS.
- PRE-BID SIGN-IN SHEET
- BID OPENING DATE CHANGED;
 FROM: 05/15/2012 AT 1:30 PM
 TO: 05/22/2012 AT 1:30 PM

NO OTHER CHANGES.

END OF ADDENDUM NO.1

***** THIS IS THE END OF RFQ DEP15705 ***** TOTAL:

SEE REVERSE SIDE FOR TERMS AND CONDITIONS

SIGNATURE	TELEPHONE	DATE
TITLE	FEIN	ADDRESS CHANGES TO BE NOTED ABOVE

WHEN RESPONDING TO RFQ, INSERT NAME AND ADDRESS IN SPACE ABOVE LABELED 'VENDOR'

GENERAL TERMS & CONDITIONS
REQUEST FOR QUOTATION (RFQ) AND REQUEST FOR PROPOSAL (RFP)

1. Awards will be made in the best interest of the State of West Virginia.
 2. The State may accept or reject in part, or in whole, any bid.
 3. Prior to any award, the apparent successful vendor must be properly registered with the Purchasing Division and have paid the required \$125 fee.
 4. All services performed or goods delivered under State Purchase Order/Contracts are to be continued for the term of the Purchase Order/Contracts, contingent upon funds being appropriated by the Legislature or otherwise being made available. In the event funds are not appropriated or otherwise available for these services or goods this Purchase Order/Contract becomes void and of no effect after June 30.
 5. Payment may only be made after the delivery and acceptance of goods or services.
 6. Interest may be paid for late payment in accordance with the *West Virginia Code*.
 7. Vendor preference will be granted upon written request in accordance with the *West Virginia Code*.
 8. The State of West Virginia is exempt from federal and state taxes and will not pay or reimburse such taxes.
 9. The Director of Purchasing may cancel any Purchase Order/Contract upon 30 days written notice to the seller.
 10. The laws of the State of West Virginia and the *Legislative Rules* of the Purchasing Division shall govern the purchasing process.
 11. Any reference to automatic renewal is hereby deleted. The Contract may be renewed only upon mutual written agreement of the parties.
 12. **BANKRUPTCY:** In the event the vendor/contractor files for bankruptcy protection, the State may deem this contract null and void, and terminate such contract without further order.
 13. **HIPAA BUSINESS ASSOCIATE ADDENDUM:** The West Virginia State Government HIPAA Business Associate Addendum (BAA), approved by the Attorney General, is available online at www.state.wv.us/admin/purchase/vrc/hipaa.html and is hereby made part of the agreement provided that the Agency meets the definition of a Cover Entity (45 CFR §160.103) and will be disclosing Protected Health Information (45 CFR §160.103) to the vendor.
 14. **CONFIDENTIALITY:** The vendor agrees that he or she will not disclose to anyone, directly or indirectly, any such personally identifiable information or other confidential information gained from the agency, unless the individual who is the subject of the information consents to the disclosure in writing or the disclosure is made pursuant to the agency's policies, procedures, and rules. Vendor further agrees to comply with the Confidentiality Policies and Information Security Accountability Requirements, set forth in <http://www.state.wv.us/admin/purchase/privacy/noticeConfidentiality.pdf>.
 15. **LICENSING:** Vendors must be licensed and in good standing in accordance with any and all state and local laws and requirements by any state or local agency of West Virginia, including, but not limited to, the West Virginia Secretary of State's Office, the West Virginia Tax Department, and the West Virginia Insurance Commission. The vendor must provide all necessary releases to obtain information to enable the director or spending unit to verify that the vendor is licensed and in good standing with the above entities.
 16. **ANTITRUST:** In submitting a bid to any agency for the State of West Virginia, the bidder offers and agrees that if the bid is accepted the bidder will convey, sell, assign or transfer to the State of West Virginia all rights, title and interest in and to all causes of action it may now or hereafter acquire under the antitrust laws of the United States and the State of West Virginia for price fixing and/or unreasonable restraints of trade relating to the particular commodities or services purchased or acquired by the State of West Virginia. Such assignment shall be made and become effective at the time the purchasing agency tenders the initial payment to the bidder.
- I certify that this bid is made without prior understanding, agreement, or connection with any corporation, firm, limited liability company, partnership, or person or entity submitting a bid for the same material, supplies, equipment or services and is in all respects fair and without collusion or fraud. I further certify that I am authorized to sign the certification on behalf of the bidder or this bid.

INSTRUCTIONS TO BIDDERS

1. Use the quotation forms provided by the Purchasing Division. Complete all sections of the quotation form.
2. Items offered must be in compliance with the specifications. Any deviation from the specifications must be clearly indicated by the bidder. Alternates offered by the bidder as **EQUAL** to the specifications must be clearly defined. A bidder offering an alternate should attach complete specifications and literature to the bid. The Purchasing Division may waive minor deviations to specifications.
3. Unit prices shall prevail in case of discrepancy. All quotations are considered F.O.B. destination unless alternate shipping terms are clearly identified in the quotation.
4. All quotations must be delivered by the bidder to the office listed below prior to the date and time of the bid opening. Failure of the bidder to deliver the quotations on time will result in bid disqualifications: Department of Administration, Purchasing Division, 2019 Washington Street East, P.O. Box 50130, Charleston, WV 25305-0130.
5. Communication during the solicitation, bid, evaluation or award periods, except through the Purchasing Division, is strictly prohibited (W.Va. C.S.R. §148-1-6.6).

**Addendum #1 - Questions During Pre-Bid Conference
For DEP15705
Lo-Ming Coal Corporation
Permits #O-5092-87, U-5023-97, U-5018-98, U-5085-88, U-5036-88, O-5035-88**

The following questions were identified at the Pre-Bid Conference (PBC) conducted on-site on April 18, 2012. The answers and clarifications provided herein take precedence over verbal answers at the PBC and previously provided specifications and descriptions provided in the Scope of Work should there be any conflicts between the two.

CORRECTIONS:

Bid Item #9.0: Reads 'repair' spillway for pond 4A. This will be changed to be a grouted rip-rap spillway. Revised specifications are attached, including design information for the spillway segments listed on Drawing #34 and a new Pond 4A spillway profile drawing.

Bid Item 43.0: The Scope of Work (paragraph #35) lists Channel I as being limestone rip-rap. This channel may be either limestone or sandstone rip-rap, as detailed in the Specifications and described in Drawing #34. Revised paragraph #35 is attached.

Bid Item #62.0: Specifications read that Ditches K and L are to be rip-rap or Fabriform. These are changed to be grouted rip-rap ditches. The Fabriform option is removed. Revised specifications are attached, including design information on Drawings #34 & #38 and a complete revised Bid Schedule (showing change for Item #62.0).

Drawing #5: The label to reclaim the existing refuse perimeter ditch is to be removed. This ditch work will not be performed under this contract. A revised Drawing #5 is attached.

Drawings #3 and #10: These drawings show possible borrow areas for topsoil material. Due to the extreme shortage of topsoil material in this area, all backfilling on this project will require the use of refuse material transported from the refuse fill area. OSR encourages that the contractors recognize good potential topsoil material as it is encountered, that it be saved and utilized for cover material only. Additional areas for topsoil material not currently known or not identified on these plans will not be utilized without the prior evaluation and expressed permission of the DEP on-site representative.

*Additional clarification: All topsoil borrow areas will be reclaimed to a final graded and tracked 2H:1V slope and revegetated according to specifications provided in the Scope of Work package. NO HIGH WALL OR EXPOSED ROCK FACE WILL BE LEFT.

QUESTIONS/ANSWERS

O-5092-87 area

1.) Q: Does limestone need to be grouted?

A: It needs to be grouted either way. It's to give you a choice of availability using limestone or sandstone.

**Addendum #1 - Questions During Pre-Bid Conference
For DEP15705
Lo-Ming Coal Corporation
Permits #O-5092-87, U-5023-97, U-5018-98, U-5085-88, U-5036-88, O-5035-88**

*Clarification: Scope of Work, item 13 reads "Construct approximately two hundred fifty linear feet (250 LF) of grouted sandstone or limestone rip rap channel...". All ditches / channels worded in this fashion will be grouted structures. A sandstone or limestone riprap option was provided to facilitate OSR / Contractor should stone availability issues arise. See the attached revised drawing #34 and respective specifications for individual ditch / channel sizing and construction materials.

2.) Q: Is it (*auger hole bench*) the same as the lower seam highwall?

A: No. The Lower bench are deep mines. The Auger holes are on an upper bench.

3.) Q: How high is this bench (*deep mine*) to be backfilled?

A: This is AOC, all the way.

4.) Q: All the way to the power pole?

A: (*top of backfill was pointed out in field*) To that maple tree, that rock, right in there.

5.) Q: So we don't have to go all the way to the bench where the poles are?

A: Correct. We would like to use that tree as a marker?

*Clarification: The mine site has a small pre-law bench located above the high wall where the old substation to be removed is located. This old bench and wall WILL NOT be reclaimed in conjunction with the lower faceup. There is a clear zone of undisturbed area between the two areas with large tree growth ect. The lower site will be reclaimed to a 2H:1V tracked and finished slope with NO HIGH WALL OR ROCK OUTCROP REMAINING. This is clearly detailed in Drawing #11 in Scope of Work.

6.) Q: Does this get a buttress here, a rock buttress (*U-5023-97 high wall*)?

A: All of these sites that are using refuse will have a sandstone blanket under them, I think 2' thick, will have to look at that in the plans.

*Clarification: Sandstone and limestone blanket underdrains are described in the individual high wall backfill specifications and shown in the Scope of Work, Drawing #24.

7.) Q: And it (*blanket underdrain*) doesn't go all the way to the top of the coal?

A: Correct.

**Addendum #1 - Questions During Pre-Bid Conference
For DEP15705
Lo-Ming Coal Corporation
Permits #O-5092-87, U-5023-97, U-5018-98, U-5085-88, U-5036-88, O-5035-88**

8.) Q: Are you going to raise the pipe up in the mines(U-5023-97). Looks like the mines are a lot lower.

A: The pipe will be in the bottom, like we've always done it, and the ditch will reflect the elevation necessary to keep the water out of the mines and drained down to the pond.

9.) Q: So you're going to lower this ditch (*existing drainage ditch on site*) back down some?

A: As necessary, yes. This ditch will be eliminated as we build the new one (*Channel A*).

10.) Q: so you're going to eliminate that one? I thought you were going to tie that one to this one.

A: As we bring the ditch down across the road, it will come along the toe of the backfill and to the back of the pond (#4A).

11.) Q: The discharge pipes that come out of that, do you have a lineal feet where it's going to have to daylight out here?

A: No, we don't. The ditch that's up there that currently ties into this one, it's too high and won't drain out the back (*of the portal area*). So we will have to dewater the mine pool, lower the ditch to the point where we have free-draining water so the mine doesn't impound any more water. We'll bring that ditch (*Channel D*) down along that side of the creek, and where we've got our elevation to keep the mine dewatered, put it back across the creek and tie back into this ditch (*Channel A*).

12.) Q: That'll be a pretty good bit of pipe to discharge coming out to tie into your ditch.

A: The actual mine seal pipes?

13.) Q: Yes, to turn and come out here to tie into the elevation to daylight to the ditch.

A: I don't think you're going to need that much pipe..... You're going to come out of the mine seals, turn, come into a headwall, then go into an open ditch. You're not going to have to go much further than what you're backfilling the mine.

**Clarification to questions 8-13: Drawings 2 and 3 show the routing of finished channels and drainage through the area in question in large scale. Drawings 8 and 9 show enlarged views of these areas and more details on locations of facilities and transitions from piping to open channels. These drawings are included in the Scope of Work.*

O-5092-87 high wall area

14.) Q: Permit starts here and goes up the hollow?

**Addendum #1 - Questions During Pre-Bid Conference
For DEP15705
Lo-Ming Coal Corporation
Permits #O-5092-87, U-5023-97, U-5018-98, U-5085-88, U-5036-88, O-5035-88**

A: Yes. (Narrator points out locations.)

15.) Q: Are you backfilling to second wall?

A: Yes.

16.) Q: What about this section?

A: Yes and on this end about halfway down is an AML highwall and down in the far corner is a pre-law deep mine opening.

**Clarification to questions 14-16: Reclamation for the upper deep mine site on O-5092-87 is addressed by Drawings 3, 9, and 13 thru 21. Details showing high wall reclamation and elimination are provided therein. These drawings are provided in the Scope of Work.*

Borrow Areas #1 and #2:

17.) Q: How big of a borrow area do you have up here?

A: It's going to be defined by amount of material we need. There are other areas here for borrow.

18.) Q: How low below this bench can we go?

A: We want to stay on this bench and above.

**Clarification to questions 17-18: Soil borrow areas are designated to provide additional cover material for final reclamation and revegetation on project sites should it be required. There will be other areas encountered during the project which will also generate suitable soil cover materials (pond cleaning / pond removal / ect). The contractor will be encouraged to identify these areas as the project progresses and to stockpile and utilize the other sources to the maximum extent possible. ANY DISTURBANCE to the designated borrow areas will require complete reclamation and revegetation to a tracked and finished 2H:1V slope as detailed in Drawing 27 found in the Scope of Work.*

U-5018-98 area

19.) Q: Do we eliminate the lower highwall?

A: Yes.

20.) Q: The upper highwall 4 feet over coal?

**Addendum #1 - Questions During Pre-Bid Conference
For DEP15705
Lo-Ming Coal Corporation
Permits #O-5092-87, U-5023-97, U-5018-98, U-5085-88, U-5036-88, O-5035-88**

A: yes.

**Clarification to questions 19 – 20: Site in question is the U-5018-98 deep mine project area. The upper mine bench will be reclaimed to 4 feet over the coal seam. The lower highwall associated with the coal stock pile area will be fully reclaimed with no visible high wall or rock outcrop remaining. The portion of the coal stockpile highwall designated as a rock quarry borrow area will be reclaimed on completion of quarry area (if utilized) to eliminate all visible highwall and rock outcrop. Reclaimed slopes on the lower highwall will be a final tracked and graded 2H:1V and blend into the adjacent slopes. Excavation below the stockpile area high wall is not allowed due to the presence of a lower deep mine (Section 4A). This reclamation is detailed in Drawing 22 found in the Scope of Work.*

U-5036-88 Area

21.) Q: Below mine seals will not be disturbed?

A: No. We will be installing channels only.

22.) Q: So we don't backfill the whole highwall unless we use it?

A: The deep mine highwall will be eliminated.

23.) Q: Do we eliminate existing highwall?

A: Yes, to top of exposed highwall.

24.) Q: Do these portals get a rock blanket like the others?

A: No, check the specs.

**Clarification to questions 21 – 24: Site in question is U-5036-88 deep mine site located at existing refuse area. Mine seals are already installed. Reclamation will only require tying onto the existing mine seal pipes and then running piping to daylight and discharge into the existing refuse groin ditch. All highwall associated with this deep mine site will be reclaimed with no highwall or rock outcropping visible. This deep mine highwall site is also designated as a possible rock borrow/quarry area. If this option is utilized the newly created highwall will be completely reclaimed with no highwall or rock outcropping visible. This site is to be reclaimed with refuse material but NO ROCK BLANKET UNDERDRAIN will be required. All slopes will be reclaimed to a final tracked and graded 2H:1V and / blended into the final refuse regraded slopes. This reclamation is detailed in Drawing 25 found in the Scope of Work.*

O-5035-88 area

**Addendum #1 - Questions During Pre-Bid Conference
For DEP15705
Lo-Ming Coal Corporation
Permits #O-5092-87, U-5023-97, U-5018-98, U-5085-88, U-5036-88, O-5035-88**

25.) Q: Do you think there is enough dirt here to cap this refuse?

A: Yes, I think there will be.

26.) Q: Is 2,000 ton incidental stone for this area?

A: (*This incidental stone is*) for all of the permit, mainly for main gravel roads, no side roads.

**Clarification question 26: The bid package includes 2,000 tons of incidental stone for permit area O-5092-87, 500 tons for permit area U-5018-98 and 500 tons for permit area U-5085-88 (Bid items #7.0, #33.0 and #47.0).*

27.) Q: What do we do with filter cake on refuse pile if we can't use it?

A: Bury the filter cake on top of the refuse at the back of the refuse and incorporate it into the coarse refuse (*final reclamation*).

28.) Q: Is this a fill where they had slurry cells on top as the fill progressed, so there are cells all the way up the pile?

A: We don't really know how this pile was constructed or when slurry cells were placed here.

29.) Q: We only reclaim what we disturb on this pile or all black?

A: You will be responsible for reclaiming anything that you disturb and all of the area from the deep mine bench up to the top of the refuse.

**Clarification question 29: All disturbance created during the project will be reclaimed and revegetated according to the Scope of Work and Technical Specifications. All areas below the elevation of the deep mine to be reclaimed (excluding work necessary to clean out Pond 10) has been successfully reclaimed and revegetated. Areas that are deficient in soil cover and / or vegetated cover located above the elevation of the deep mine project site will be reclaimed per the Scope of Work (paragraph #9). For this permit area, that would be Bid Item #63.0.*

30.) Q: Are the specs on CD?

A: Yes.

WV-36a STATE OF WEST VIRGINIA
 REV. 5-26-09 PURCHASING CONTINUATION SHEET
 VENDOR:

BUYER GN-23	PAGE	REQ. OR PO NO. DEP15705
SPENDING UNIT WEST VIRGINIA DEPARTMENT OF ENVIRONMENTAL PROTECTION/SPECIAL RECLAMATION		

31. Construct approximately one hundred fifty linear feet (150 LF) of grouted sandstone or limestone riprap Channel 'H' to collect water from Channel 'G' and convey to the existing rip-rapped ditch inlet to Pond #8. A grouted rip-rap energy dissipating basin will also be provided where the channel intercepts the existing channel. Cost of all materials to construct channel and energy dissipating basin will be inclusive to the total cost for construction of Channel 'G'. (Bid Item #39.0). See the attached plans and /or specifications.

32. Pond #9 will be reclaimed by regrading the area to sheet flow, including removal of the existing spillway pipe. Cost of regrading and pipe removal will be inclusive to the total cost for Pond #9 elimination (Bid Item #40.0). See the attached plans and /or specifications.

33. Clean out and dispose all sediment and debris out of existing Pond #8, per Bid Item #41.0. Pond will be maintained as a sediment control structure during the reclamation process. (See attached specifications).

34. Backfill the existing U-5018-98 mine face-up and stockpile areas, per Bid Item #42.0. Backfill over the mine seals shall be minimum 4-feet. Stockpile highwall shall be 100% backfilled. Material from the refuse fill may be required to provide the total volume necessary to complete backfilling. A rock blanket underdrain shall be installed on the upper portal bench between the pavement and refuse backfill. All refuse materials shall be compacted and receive a final minimum cover of one foot (1') of top soil material capable of supporting vegetation. Cover material will be obtained from the designated borrow areas. The cost of backfilling, blanket rock underdrain and final soil cover will be inclusive to the cost of highwall elimination (see attached specifications and/or plans).

35. Construct approximately three hundred fifty linear feet (350 LF) of limestone or sandstone riprap Channel 'I' to collect surface runoff water from the highwall backfill area and convey the water to the existing rip-rap channel leading to Pond #8. Cost of excavation and stone will be inclusive to the total cost for construction of Channel 'I' (Bid Item #43.0). See the attached plans and /or specifications.

U-5085-88

36. Eliminate Pond #11, per Bid Item #49.0. Flow from the regraded area will be directed toward a center vegetated Channel 'J'. The cost of pipe spillway removal and site regrading will be inclusive to the cost of Pond #11 elimination (see attached specifications and/or plans).

37. Construct approximately three hundred linear feet (300 LF) of grass lined Channel 'J' through reclaimed Pond 11 area. Channel 'J' will convey surface water runoff and seal drainage from the previously backfilled mine face-up area to Left Fork. (Bid Item #50.0). See attached plans and / or specifications.

U-5036-88

38. Install approximately three hundred linear feet (300 LF) of 12" PVC pipe to collect underground mine discharge from the existing three mine wet seals. Collector pipe will discharge into the existing groin ditch at the end of the existing highwall. Cost of all materials and labor to install and connect the piping will be inclusive to the total cost of the collector pipe installation (Bid Item #55.0). See the attached plans and/or specifications.

39. Backfill the existing U-5036-88 mine face-up area, per Bid Item #56.0. Refuse material from the adjacent refuse fill will be utilized to provide the volume of material necessary to complete backfilling. All refuse materials

WV-36a STATE OF WEST VIRGINIA
 REV. 5-26-09 PURCHASING CONTINUATION SHEET
 VENDOR:

BUYER GN-23	PAGE	REQ. OR PO NO. DEP15705
SPENDING UNIT WEST VIRGINIA DEPARTMENT OF ENVIRONMENTAL PROTECTION/SPECIAL RECLAMATION		

ITEM NO.	QUANTITY	DESCRIPTION	UNIT PRICE	AMOUNT
REVISED BID SCHEDULE				
PERMIT NAME: <u>LO-MING COAL CORPORATION</u>				
PERMIT NUMBER(S): <u>O-5092-87, U-5023-97, U-5018-98,</u>				
<u>U-5085-88, U-5036-88, O-5035-88</u>				
The DEP reserves the right to request additional information and supporting documentation regarding unit prices when the unit price appears to be unreasonable.				
PERMIT NUMBER: <u>O-5092-87</u>				
1.0	LUMP SUM	<u>MOBILIZATION/DEMOLITION/PROJECT SIGN</u> (Limited to 5% Total Bid for this project)	LUMP SUM	\$ _____
2.0	LUMP SUM	<u>SPILL CONTAINMENT AREA (S.C.A.)</u> (\$1,000.00 Maximum Bid for this project)	LUMP SUM	\$ _____
3.0	LUMP SUM	<u>ACCESS ROADS / MAINTAINENCE</u> (Limited to 5% Total Bid for this project)	LUMP SUM	\$ _____
4.0	LUMP SUM	<u>CONSTRUCTION STAKEOUT</u> (Limited to 5% of total bid for this project)	LUMP SUM	\$ _____
5.0	LUMP SUM	<u>STRUCTURE AND/OR DEBRIS REMOVAL</u>	LUMP SUM	\$ _____
6.0	<u>2,000</u> LF	<u>STORMWATER MANAGEMENT</u> (Max. bid of \$5.00/LF of silt fence / hay bale material used on site)	\$ _____ PER LF	\$ _____
7.0	<u>2,000</u> TN	<u>INCIDENTAL STONE</u>	\$ _____ PER TON	\$ _____
8.0	NO BID ITEM	<u>UTILITIES</u>	NO BID ITEM	
9.0	<u>1</u> EA	<u>CLEANOUT POND #4A, SPILLWAY REPAIR</u>	\$ _____ PER EA	\$ _____
10.0	<u>2</u> EA	<u>ELIMINATE PONDS #4B AND #4C</u>	\$ _____ PER EA	\$ _____
11.0	<u>2</u> EA	<u>ELIMINATE PONDS #5 AND #6</u>	\$ _____ PER EA	\$ _____
12.0	<u>250</u> LF	<u>CONSTRUCT GROUTED RIP-RAP CHANNEL 'B'</u>	\$ _____ PER LF	\$ _____
13.0	<u>200</u> LF	<u>CONSTRUCT GROUTED RIP-RAP CHANNEL 'B-1'</u>	\$ _____ PER LF	\$ _____
14.0	<u>250</u> LF	<u>ELIMINATE SEDIMENT DITCH</u>	\$ _____ PER LF	\$ _____

WV-36a STATE OF WEST VIRGINIA
 REV. 5-26-09 PURCHASING CONTINUATION SHEET
 VENDOR:

BUYER GN-23	PAGE	REQ. OR PO NO. DEP15705
SPENDING UNIT WEST VIRGINIA DEPARTMENT OF ENVIRONMENTAL PROTECTION/SPECIAL RECLAMATION		

ITEM NO.	QUANTITY	DESCRIPTION	UNIT PRICE	AMOUNT
15.0	250 LF	<u>AUGER HOLE RECLAMATION</u>	\$ _____ PER LF	\$ _____
16.0	120 LF	<u>CONSTRUCT GROUTED RIP-RAP CHANNEL 'C'</u>	\$ _____ PER LF	\$ _____
17.0	80 LF	<u>INSTALL CHANNEL 'C' DISCHARGE CULVERTS</u>	\$ _____ PER LF	\$ _____
18.0	1 EA	<u>ELIMINATE POND #7</u>	\$ _____ PER EA	\$ _____
19.0	360 LF	<u>RE-LOCATE AND FABRIFORM CHANNEL 'D'</u>	\$ _____ PER LF	\$ _____
20.0		<u>WET MINE SEALS (O-5092-87)</u>		
20.1	1 EA	<u>UPPER WET MINE SEAL, W/COLLECTOR PIPING</u>	\$ _____ PER EA	\$ _____
20.2	4 EA	<u>LOWER WET MINE SEALS, W/COLLECTOR PIPING</u>	\$ _____ PER EA	\$ _____
21.0	1 EA	<u>ROCK BUTTRESS</u>	\$ _____ PER EA	\$ _____
22.0	450 LF	<u>HIGHWALL ELIMINATION (O-5092-87)</u>	\$ _____ PER LF	\$ _____
23.0	100 LF	<u>CONSTRUCT RIP-RAP CHANNEL 'E'</u>	\$ _____ PER LF	\$ _____
24.0	6.0 AC	<u>REGRAIDING AND TOPSOILING</u>	\$ _____ PER AC	\$ _____
25.0		<u>REVEGETATION</u>		
25.1	6.0 AC	<u>AGRICULTURAL LIME</u>	\$ _____ PER AC	\$ _____
25.2	6.0 AC	<u>FERTILIZER</u>	\$ _____ PER AC	\$ _____
25.3	6.0 AC	<u>MULCH</u>	\$ _____ PER AC	\$ _____
25.4	6.0 AC	<u>VEGETATIVE SPECIES</u>	\$ _____ PER AC	\$ _____
			SUB-TOTAL	\$ _____

WV-36a STATE OF WEST VIRGINIA
 REV. 5-26-09 PURCHASING CONTINUATION SHEET
 VENDOR:

BUYER GN-23	PAGE	REQ. OR PO NO. DEP15705
SPENDING UNIT WEST VIRGINIA DEPARTMENT OF ENVIRONMENTAL PROTECTION/SPECIAL RECLAMATION		

ITEM NO.	QUANTITY	DESCRIPTION	UNIT PRICE	AMOUNT
PERMIT NUMBER: <u>U-5023-97</u>				
26.0	4 EA	<u>WET MINE SEALS, W/COLLECTOR PIPING (U-5023-97)</u>	\$ _____ PER EA	\$ _____
27.0	350 LF	<u>HIGHWALL ELIMINATION (U-5023-97)</u>	\$ _____ PER LF	\$ _____
28.0	650 LF	<u>CONSTRUCT RIP-RAP CHANNEL 'A'</u>	\$ _____ PER LF	\$ _____
29.0	NO BID ITEM	<u>UTILITIES</u>	NO BID ITEM	
30.0	3.0 AC	<u>REGRADING AND TOPSOILING</u>	\$ _____ PER AC	\$ _____
31.0		<u>REVEGETATION</u>		
31.1	3.0 AC	<u>AGRICULTURAL LIME</u>	\$ _____ PER AC	\$ _____
31.2	3.0 AC	<u>FERTILIZER</u>	\$ _____ PER AC	\$ _____
31.3	3.0 AC	<u>MULCH</u>	\$ _____ PER AC	\$ _____
31.4	3.0 AC	<u>VEGETATIVE SPECIES</u>	\$ _____ PER AC	\$ _____
			SUB-TOTAL	\$ _____
PERMIT NUMBER: <u>U-5018-98</u>				
32.0	800 LF	<u>STORMWATER MANAGEMENT</u> (Max. bid of \$5.00/LF of silt fence / hay bale material used on site)	\$ _____ PER LF	\$ _____
33.0	500 TN	<u>INCIDENTAL STONE</u>	\$ _____ PER TON	\$ _____
34.0	NO BID ITEM	<u>UTILITIES</u>	NO BID ITEM	
35.0	NO BID ITEM	<u>QUARRYING</u>	NO BID ITEM	
36.0	3 EA	<u>WET MINE SEALS, W/COLLECTOR PIPING (U-5018-98)</u>	\$ _____ PER EA	\$ _____
37.0	80 LF	<u>CONSTRUCT GROUTED RIP-RAP CHANNEL 'F'</u>	\$ _____ PER LF	\$ _____

WV-36a STATE OF WEST VIRGINIA
 REV. 5-26-09 PURCHASING CONTINUATION SHEET
 VENDOR:

BUYER GN-23	PAGE	REQ. OR PO NO. DEP15705
SPENDING UNIT WEST VIRGINIA DEPARTMENT OF ENVIRONMENTAL PROTECTION/SPECIAL RECLAMATION		

ITEM NO.	QUANTITY	DESCRIPTION	UNIT PRICE	AMOUNT
38.0	<u>200</u> LF	<u>CONSTRUCT RIP-RAP CHANNEL 'G'</u>	\$ _____ PER LF	\$ _____
39.0	<u>150</u> LF	<u>CONSTRUCT GROUTED RIP-RAP CHANNEL 'H'</u>	\$ _____ PER LF	\$ _____
40.0	<u>1</u> EA	<u>ELIMINATE POND #9</u>	\$ _____ PER EA	\$ _____
41.0	<u>1</u> EA	<u>CLEANOUT POND #8</u>	\$ _____ PER EA	\$ _____
42.0	<u>500</u> LF	<u>HIGHWALL ELIMINATION (U-5018-98)</u>	\$ _____ PER LF	\$ _____
43.0	<u>350</u> LF	<u>CONSTRUCT RIP-RAP CHANNEL 'I'</u>	\$ _____ PER LF	\$ _____
44.0	<u>5.0</u> AC	<u>REGRADING AND TOPSOILING</u>	\$ _____ PER AC	\$ _____
45.0		<u>REVEGETATION</u>		
45.1	<u>5.0</u> AC	<u>AGRICULTURAL LIME</u>	\$ _____ PER AC	\$ _____
45.2	<u>5.0</u> AC	<u>FERTILIZER</u>	\$ _____ PER AC	\$ _____
45.3	<u>5.0</u> AC	<u>MULCH</u>	\$ _____ PER AC	\$ _____
45.4	<u>5.0</u> AC	<u>VEGETATIVE SPECIES</u>	\$ _____ PER AC	\$ _____
			SUB-TOTAL	\$ _____
		PERMIT NUMBER: <u>U-5085-88</u>		
46.0	<u>200</u> LF	<u>STORMWATER MANAGEMENT</u> (Max. bid of \$5.00/LF of silt fence / hay bale material used on site)	\$ _____ PER LF	\$ _____
47.0	<u>500</u> TN	<u>INCIDENTAL STONE</u>	\$ _____ PER TON	\$ _____
48.0	NO BID ITEM	<u>UTILITIES</u>	NO BID ITEM	
49.0	<u>1</u> EA	<u>ELIMINATE POND #11</u>	\$ _____ PER EA	\$ _____
50.0	<u>300</u> LF	<u>CONSTRUCT GRASSED CHANNEL 'J'</u>	\$ _____ PER LF	\$ _____

WV-36a STATE OF WEST VIRGINIA
 REV. 5-26-09 PURCHASING CONTINUATION SHEET
 VENDOR:

BUYER GN-23	PAGE	REQ. OR PO NO. DEP15705
SPENDING UNIT WEST VIRGINIA DEPARTMENT OF ENVIRONMENTAL PROTECTION/SPECIAL RECLAMATION		

ITEM NO.	QUANTITY	DESCRIPTION	UNIT PRICE	AMOUNT
51.0	1.0 AC	<u>REGRADE AND TOPSOILING</u>	\$ _____ PER AC	\$ _____
52.0		<u>REVEGETATION</u>		
52.1	1.0 AC	<u>AGRICULTURAL LIME</u>	\$ _____ PER AC	\$ _____
52.2	1.0 AC	<u>FERTILIZER</u>	\$ _____ PER AC	\$ _____
52.3	1.0 AC	<u>MULCH</u>	\$ _____ PER AC	\$ _____
52.4	1.0 AC	<u>VEGETATIVE SPECIES</u>	\$ _____ PER AC	\$ _____
			SUB-TOTAL	\$ _____
		PERMIT NUMBER: <u>U-5036-88</u>		
53.0	NO BID ITEM	<u>UTILITIES</u>	NO BID ITEM	
54.0	NO BID ITEM	<u>QUARRYING</u>	NO BID ITEM	
55.0	300 LF	<u>MINE SEAL PVC COLLECTOR PIPE (U-5036-88)</u>	\$ _____ PER LF	\$ _____
56.0	300 LF	<u>HIGHWALL ELIMINATION (U-5036-88)</u>	\$ _____ PER LF	\$ _____
			SUB-TOTAL	\$ _____
		PERMIT NUMBER: <u>O-5035-88</u>		
57.0	NO BID ITEM	<u>UTILITIES</u>	NO BID ITEM	
58.0	NO BID ITEM	<u>QUARRYING</u>	NO BID ITEM	
59.0	1 EA	<u>CLEANOUT POND #10</u>	\$ _____ PER EA	\$ _____
60.0	LUMP SUM	<u>REFUSE REGRADE AND SOIL COVER</u>	LUMP SUM	\$ _____
61.0	200 LF	<u>CONSTRUCT GROUTED RIP-RAP GROIN DITCH 'M'</u>	\$ _____ PER LF	\$ _____

WV-36a STATE OF WEST VIRGINIA
 REV. 5-26-09 PURCHASING CONTINUATION SHEET
 VENDOR:

BUYER GN-23	PAGE	REQ. OR PO NO. DEP15705
SPENDING UNIT WEST VIRGINIA DEPARTMENT OF ENVIRONMENTAL PROTECTION/SPECIAL RECLAMATION		

ITEM NO.	QUANTITY	DESCRIPTION	UNIT PRICE	AMOUNT
62.0	2200 LF	<u>CONSTRUCT GROUTED RIP-RAP DIVERSION DITCHES 'K' & 'L'</u>	\$ _____ PER LF	\$ _____
63.0		<u>REVEGETATION</u>		
63.1	16.0 AC	<u>AGRICULTURAL LIME</u>	\$ _____ PER AC	\$ _____
63.2	16.0 AC	<u>FERTILIZER</u>	\$ _____ PER AC	\$ _____
63.3	16.0 AC	<u>MULCH</u>	\$ _____ PER AC	\$ _____
63.4	16.0 AC	<u>VEGETATIVE SPECIES</u>	\$ _____ PER AC	\$ _____
			SUB-TOTAL	\$ _____
		PERMIT O-5092-87 SUB-TOTAL		\$ _____
		PERMIT U-5023-97 SUB-TOTAL		\$ _____
		PERMIT U-5018-98 SUB-TOTAL		\$ _____
		PERMIT U-5085-88 SUB-TOTAL		\$ _____
		PERMIT U-5036-88 SUB-TOTAL		\$ _____
		PERMIT O-5035-88 SUB-TOTAL		\$ _____
		TOTAL BID FOR ALL PERMITS		\$ _____

WV-36a STATE OF WEST VIRGINIA
 REV. 5-26-09 PURCHASING CONTINUATION SHEET
 VENDOR:

BUYER GN-23	PAGE	REQ. OR PO NO. DEP15705
SPENDING UNIT WEST VIRGINIA DEPARTMENT OF ENVIRONMENTAL PROTECTION/SPECIAL RECLAMATION		

BID ITEM TECHNICAL SPECIFICATIONS - REVISED

PERMIT NUMBER O-5092-87

9.0 CLEANOUT POND #4A, REPAIR SPILLWAY

The existing pond will be cleaned to a depth of five (5) vertical feet below the discharge elevation of the existing spillway. All vegetative materials including (but not limited to) cattails, trees, tree stumps and root balls will be removed by excavation. Sidewalls of the finished pond will be no steeper than 2H:1V. Pond cleanings shall be utilized to reclaim adjacent ponds 4B and 4C and/or stockpiled, dried and disposed in the U-5023-97 highwall backfill as directed by the onsite DEP representative. The pond embankment along Island Creek will **not** be disturbed. Damage or leakage to the embankment along Island Creek caused by pond cleaning or spillway reconstruction operations will be repaired at the Contractor's expense.

The existing open spillway shall be repaired by removing extraneous piping, removing vegetation and replacing rip-rap while keeping the existing elevation.

A grouted rip-rap spillway shall be constructed at the dimensions listed on the plans (Drawing #34). The 'upper' spillway (horizontal portion) shall be formed to provide a finished six-foot (6') wide, four-foot (4') deep grouted rip-rap channel with 2h:1v side slopes. Final spillway elevation shall be the same as the existing elevation. The 'lower' spillway (sloped portion) shall begin at the horizontal section, incised into the outer embankment to form a finished six-foot (6') wide, two-foot (2') deep grouted rip-rap channel with 2h:1v side slopes. Grout keys shall be constructed at the inlet end, junction of horizontal and sloped portions, and outlet end at creek level.

Rip-rap shall be a well-graded mixture of durable **sandstone or limestone** rock placed in a 1.5 foot thick blanket. The mixture ranges in size from 3-inches minimum to 18-inches maximum diameter. The mixture shall have a d_{50} of 12-inches with no more than 15% of weight less than 6 inches. Fifty percent (50%) of the mixture by weight shall be larger than the d_{50} size. In-place rammed or hammered rock shall be acceptable.

All rock shall have a maximum weighted loss of 30 percent when subjected to 5 cycles of the sodium sulfate soundness test as outlined by ASTM C88, as modified by AASHTO T-104. If riprap suitability is questionable, durability shall be determined by the sodium sulphate test (ASTM C 88/AASHTO T 104-77).

The grout filler shall be composed of a mixture of one part Type II (sulfate resistant) portland cement and three parts sand, mixed with water to produce a workable consistency. The stone shall be thoroughly wet immediately before grout is applied. As soon as the grout is deposited on the surface, it shall be thoroughly worked into the joints. The stones shall then be brushed, so that their top surfaces are exposed. Grout shall penetrate 100% of the riprap thickness.

The pond must be demonstrated to the onsite DEP representative to be capable of containing water and discharging prior to invoicing and payment. The contractor shall provide all services, materials, construction layout, equipment, or other materials necessary to execute the work. Pond clean out, spillway repair and material disposal will be one bid item.

WV-36a STATE OF WEST VIRGINIA
 REV. 5-26-09 PURCHASING CONTINUATION SHEET
 VENDOR:

BUYER GN-23	PAGE	REQ. OR PO NO. DEP15705
SPENDING UNIT WEST VIRGINIA DEPARTMENT OF ENVIRONMENTAL PROTECTION/SPECIAL RECLAMATION		

BID ITEM TECHNICAL SPECIFICATIONS - REVISED

PERMIT NUMBER O-5035-88

62.0 CONSTRUCT GROUTED RIP-RAP DIVERSION DITCHES 'K' & 'L'

Provide all materials, excavate and construct ditch or channel as indicated on the attached typical plans, cross-section, specifications, and as discussed at the Pre-Bid Showing. Construct diversion ditches 'K' and 'L' around the perimeter of the top of the regraded refuse pile. The ditches will begin at the center of the fill and continue in opposite directions to connect with the beginning of their respective groin ditches. The ditches will be formed in original ground at the interface with the refuse fill by using the existing natural hillside.

Channels and ditches shall be free draining upon completion of construction. Perform, to the extent practicable, all work during low flow conditions. Length of channel may be adjusted to meet on site conditions upon approval of the WV DEP agent onsite. Additional riprap may be used to reinforce the outer radius of curves and in similar high velocity locations.

Rip-rap shall be a well-graded mixture of durable sandstone or limestone rock placed in a 1.5 foot thick blanket. The mixture ranges in size from 3-inches minimum to 18-inches maximum diameter. The mixture shall have a d_{50} of 12 inches with no more than 15% of weight less than 6 inches. Fifty percent (50%) of the mixture by weight shall be larger than the d_{50} size. In-place rammed or hammered rock shall be acceptable.

All rock shall have a maximum weighted loss of 30 percent when subjected to 5 cycles of the sodium sulfate soundness test as outlined by ASTM C88, as modified by AASHTO T-104. If riprap suitability is questionable, durability shall be determined by the sodium sulphate test (ASTM C 88/AASHTO T 104-77).

The grout filler shall be composed of a mixture of one part Type II (sulfate resistant) portland cement and three parts sand, mixed with water to produce a workable consistency. The stone shall be thoroughly wet immediately before grout is applied. As soon as the grout is deposited on the surface, it shall be thoroughly worked into the joints. The stones shall then be brushed, so that their top surfaces are exposed. Grout shall penetrate 100% of the riprap thickness.

Grout keys will be installed at the inlet, outlet and at other various critical locations of the ditches. See the attached drawings for exact location of grout keys.

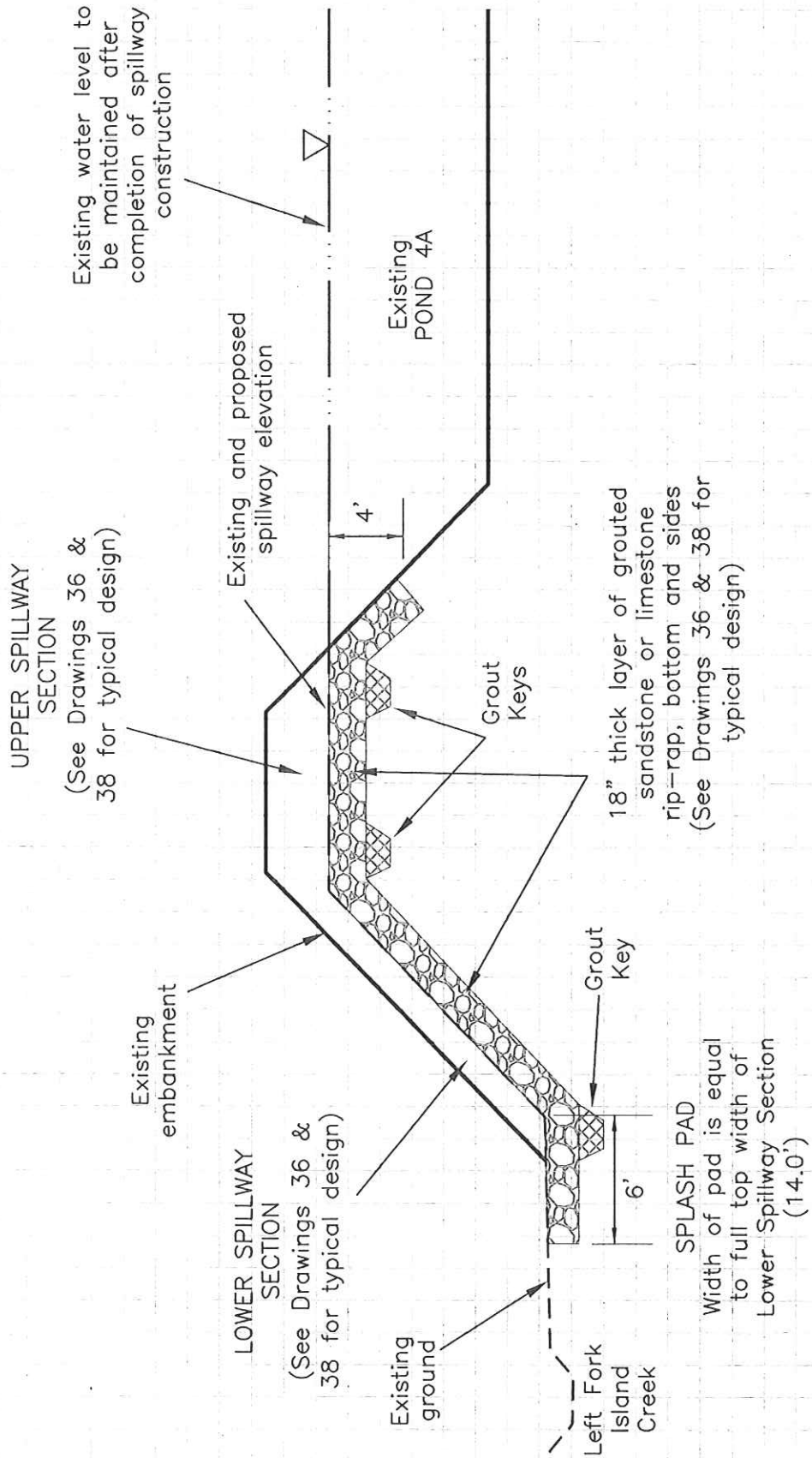
Lo-Ming Coal Corporation

BUYER
GN-23

PAGE

REQ. or P.O. No.
DEP15705

POND #4A - SPILLWAY PROFILE



POND 4A SPILLWAY PROFILE

NTS

Lo-Ming Coal Corporation

BUYER
GN-23

PAGE

REQ. or P.O. No.
DEP15705

PROJECT MAP: SHEET 4 of 6

DRAWING NO.:

5

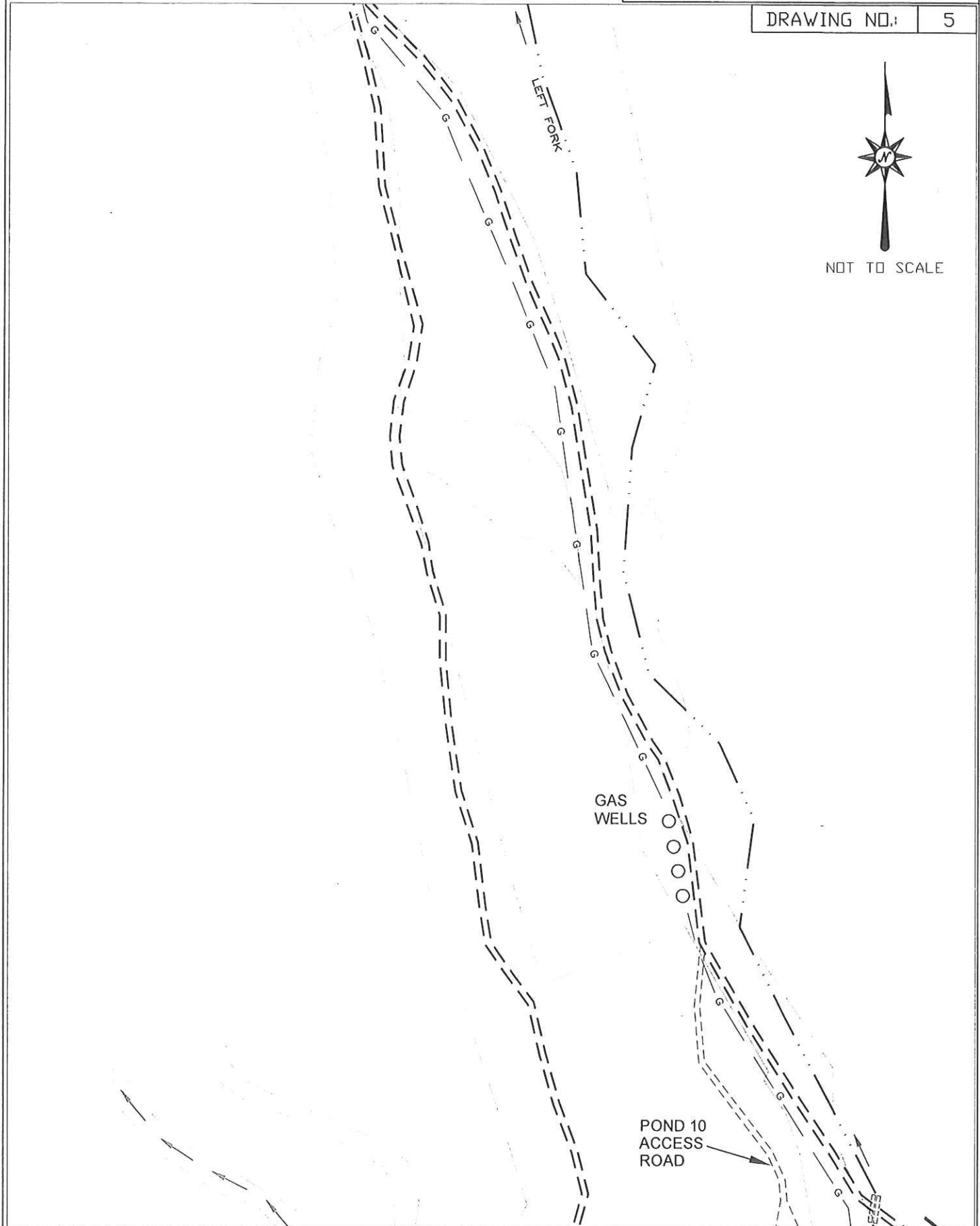


NOT TO SCALE

LEFT FORK

GAS
WELLS

POND 10
ACCESS
ROAD



BUYER GN-23	PAGE	REQ. or P.O. No. DEP15705
----------------	------	------------------------------

DIVERSION CHANNELS - DESIGN

DITCH / CHANNEL	TOP WIDTH -TW- (FT)	BOT. WIDTH -BW- (FT)	TOTAL DEPTH* -D- (FT)	SIDE SLOPE (H/V)	BOTTOM SLOPE (%)	LINING**	RIPRAP THICKNESS -T- (FT)
CHANNEL A	15.2	4.0	2.8	2/1	1.0	3	1.5
CHANNEL B	11.2	0	2.8	2/1	10.0	4	1.5
CHANNEL B-1	11.2	0	2.8	2/1	50.0	4	1.5
CHANNEL C	10.0	0	2.5	2/1	1.0	4	1.5
CHANNEL D	14.0	4.0	2.5	2/1	1.0	5	N/A
CHANNEL E	8.0	0	2.0	2/1	50.0	3	1.5
CHANNEL F	18.0	10.0	2.0	2/1	50.0	4	1.5
CHANNEL G	9.6	0	2.4	2/1	1.0	3	1.5
CHANNEL H	9.6	0	2.4	2/1	15.0	4	1.5
CHANNEL I	8.8	0	2.2	2/1	10.0	3	1.5
CHANNEL J	VEGETATED - SEE ATTACHED DRAWING						
CHANNEL K	19.0	5.0	3.5	2/1	1.0	4	1.5
CHANNEL L	19.0	5.0	3.5	2/1	1.0	4	1.5
GROIN DITCH M	12.4	0	3.1	2/1	35.0	4	1.5
POND 4A UPPER SPILLWAY	22.0	6.0	4.0	2/1	0.0	4	1.5
POND 4A LOWER SPILLWAY	14.0	6.0	2.0	2/1	50.0	4	1.5

* Includes 1.0 ft. freeboard (F)

** LINING

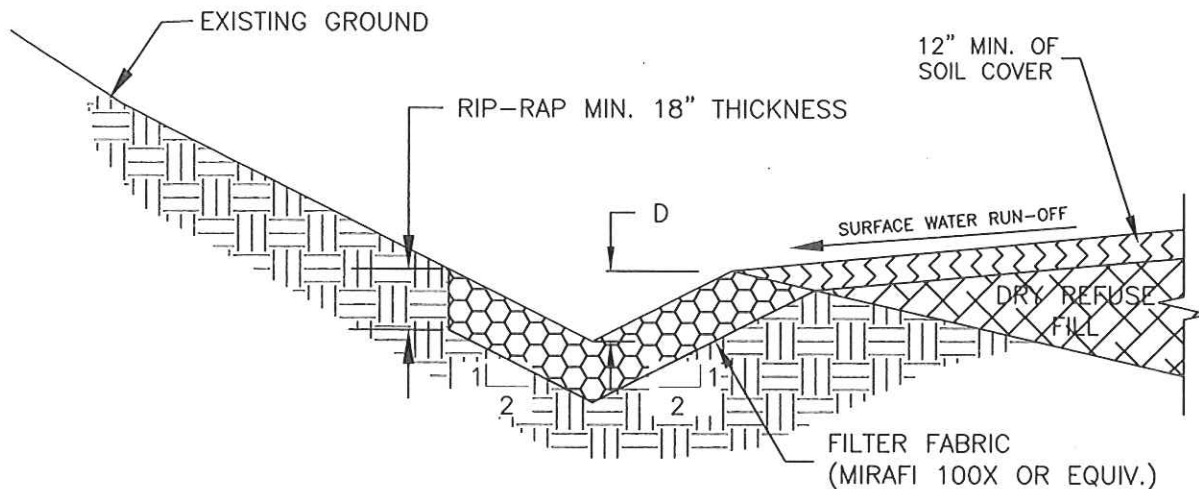
1. Limestone
2. Limestone, Grouted
3. Limestone or Sandstone
4. Limestone or Sandstone, Grouted
5. Fabriform Unimat 4" UM-N erosion control revetment or approved equal

NOTES:

1. ALL CHANNELS WILL HAVE 2H to 1V SIDE SLOPES AND ONE (1) FOOT OF FREEBOARD (F).
2. ROCK BLANKET SHALL BE A MINIMUM OF ONE AND A HALF FEET (1-1/2') THICK (T) THROUGHOUT.
3. ALL GROUDED RIP RAP CHANNELS SHALL HAVE 100% GROUT PENETRATION IN ALL VOIDS.

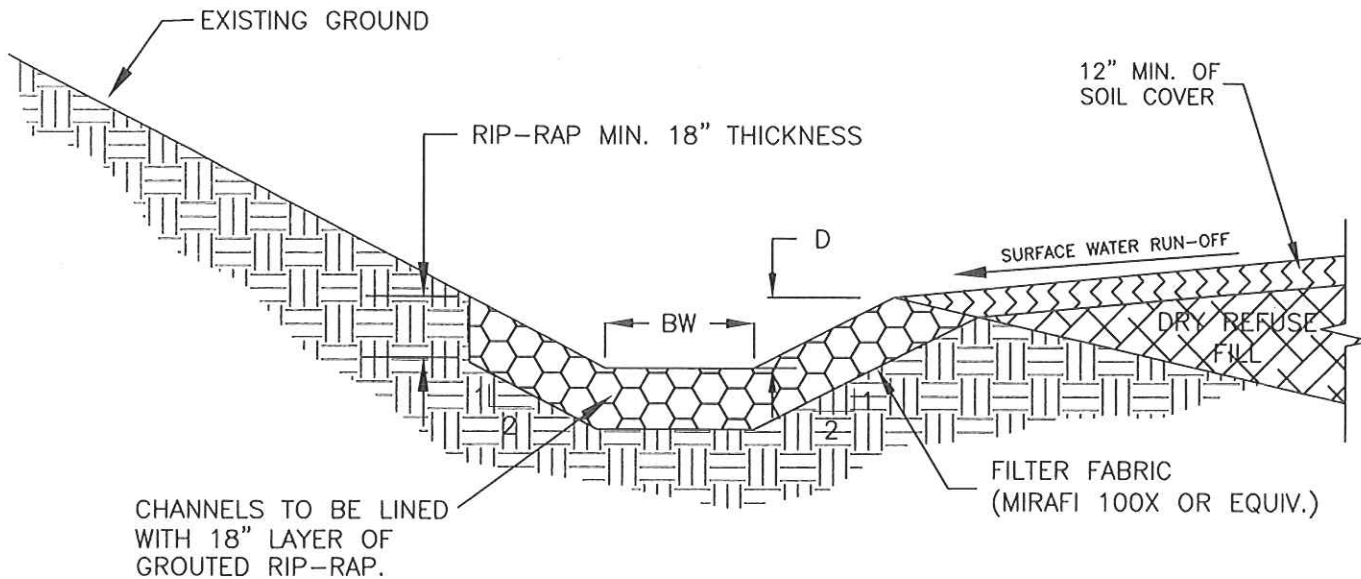
BUYER GN-23	PAGE	REQ. or P.O. No. DEP15705
----------------	------	------------------------------

REFUSE DITCHES - TYPICALS



TYPICAL REFUSE GROIN DITCH 'M' DETAIL

NOT TO SCALE



TYPICAL REFUSE CHANNELS 'K' AND 'L' DETAIL

NOT TO SCALE

DRAWING NO.:	38
--------------	----

MANDATORY PRE-BID SIGN-IN ATTENDANCE SHEET

sheet 1 of 2

RFQ # : DEP15705
Project: Lo-Ming Coal Corp.

Bid Date: May 15, 2012
Pre-Bid Date: April 18, 2012

Name : Gary Long
Company: McCurt & Son Const.
Address: 2790 Centralia Rd
Sutton WV 26601

Name : _____
Company: _____
Address: _____

Phone #: 304 765-5288
Fax #: 304 765-5293
Email : glong@wirefire.com

Phone# : _____
Fax # : _____
Email : _____

Name : J R SPENCER
Company: ROMIE SPENCER, INC
Address: HC 74, Box 201
Duck WV 25063

Name : _____
Company: _____
Address: _____

Phone #: 304-364-8626
Fax #: 8376
Email : RHS22@Hughes.net

Phone# : _____
Fax # : _____
Email : _____

Name : Ashley Atkins
Company: Aspen Corporation
Address: 2400 Ritter Drive
Danville WV 25832

Name : _____
Company: _____
Address: _____

Phone #: 304-763-4573
Fax #: 304-763-4591
Email : ~~304-763-~~
jadkins@aspen-gold.com

Phone# : _____
Fax # : _____
Email : _____

Name : DAVID H. Bowman
Company: SKIDN MOUNTAIN CO
Address: 511 GOTHST
Charleston WV
25304

Name : _____
Company: _____
Address: _____

Phone #: 304-925-0253
Fax #: 925 9230
Email : DHS 7220@skidn.com

Phone# : _____
Fax # : _____
Email : _____

MANDATORY PRE-BID SIGN-IN ATTENDANCE SHEET

sheet 2 of 2

RFQ # : DEP15705
Project: Lo-Ming Coal Corp.

Bid Date: May 15, 2012
Pre-Bid Date: April 18, 2012

Name : Mike BRADFORD
Company: Pinedille Farming & Exc. Inc.
Address: Box 1290
Pinedille W.V. 24874

Name : _____
Company: _____
Address: _____

Phone #: 304-732-8303
Fax #: 304-732-7855
Email : tony.p.f.t@aol.com

Phone# : _____
Fax # : _____
Email : _____

Name : Ann Klavonick
Company: TEAS TRAIL Annual
Address: PO Box 4108
CHARLESTON WV
25366

Name : _____
Company: _____
Address: _____

Phone #: ~~304-332-55~~
Fax #: 414-0255
Email : easternarb@
@hotmail

Phone# : _____
Fax # : _____
Email : _____

Name : Wiseman, Joe
Company: Wiseman Excavating
Address: Rt. 1 Box 190
Liberty, WV 25124

Name : _____
Company: _____
Address: _____

Phone #: 304-586-3736
Fax #: 304-586-3789
Email : juwpc012@aol.com

Phone# : _____
Fax # : _____
Email : _____

Name : Robert Barnes
Company: Barnes Exc. Inc.
Address: P.O. Box 13384
Sissonville W.V.
25360

Name : _____
Company: _____
Address: _____

Phone #: 304-984-1725
Fax #: 304-984-0074
Email : Barnes Exc. Inc. AOL.com

Phone# : _____
Fax # : _____
Email : _____