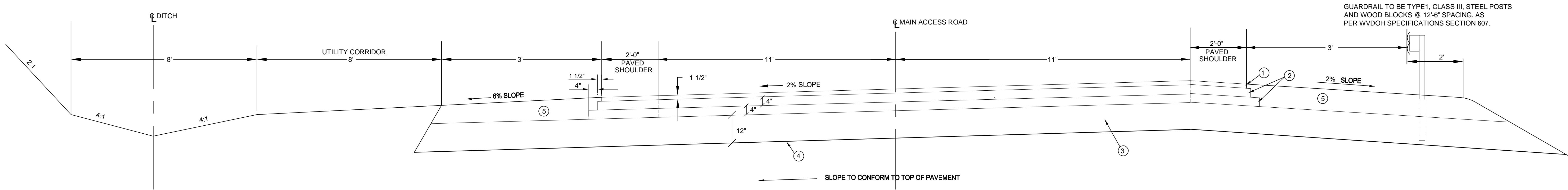


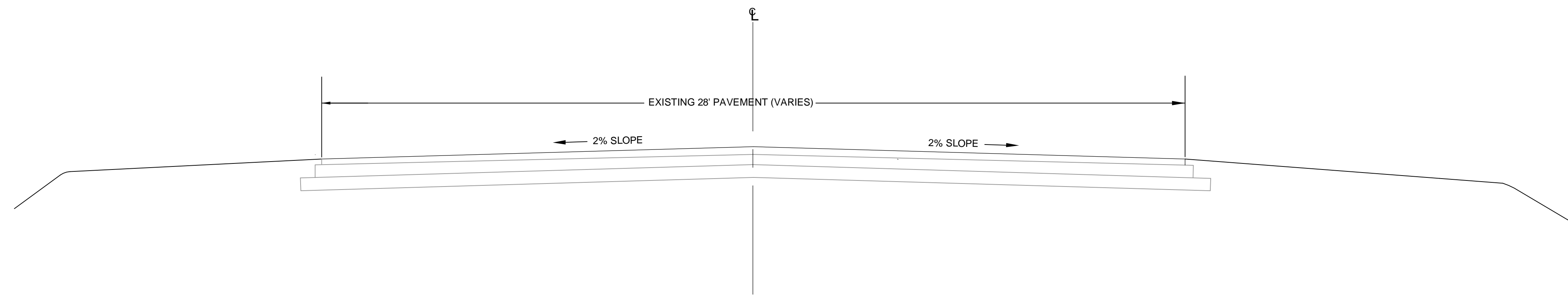
- DESCRIPTION**
- ① ITEM 402001-001 MARSHALL HOT MIX ASPHALT SKID RESISTANT PAVEMENT. MEDIUM PER TON
 - ② ITEM 401001-001 MARSHALL HOT MIX ASPHALT BASE COURSE. MEDIUM PER TON
 - ③ ITEM 307001-001 CLASS 1 AGGREGATE BASE COURSE. PER CUBIC YARD
 - ④ ITEM 207033-000 STABILIZATION FABRIC. PER SQUARE YARD
 - ⑤ ITEM 307005-000 AGGREGATE BASE COURSE. CLASS 10. PER TON

REFERENCE WVDOH STANDARD SPECIFICATIONS 2010
1 21+50 - 33+24.24 CURVE LEFT PAVEMENT SECTION
 C602 N.T.S.



- DESCRIPTION**
- ① ITEM 402001-001 MARSHALL HOT MIX ASPHALT SKID RESISTANT PAVEMENT. MEDIUM PER TON
 - ② ITEM 401001-001 MARSHALL HOT MIX ASPHALT BASE COURSE. MEDIUM PER TON
 - ③ ITEM 307001-001 CLASS 1 AGGREGATE BASE COURSE. PER CUBIC YARD
 - ④ ITEM 207033-000 STABILIZATION FABRIC. PER SQUARE YARD
 - ⑤ ITEM 307005-000 AGGREGATE BASE COURSE. CLASS 10. PER TON

REFERENCE WVDOH STANDARD SPECIFICATIONS 2010
2 21+50 - 33+24.24 CURVE LEFT PAVEMENT SECTION (CUT AREA)
 C602 N.T.S.



REFERENCE WVDOH STANDARD SPECIFICATIONS 2010
3 33+24.24 TO 39+06.62 EXISTING ROAD SECTION
 C602 N.T.S.

UPDATED TYPICAL SECTIONS