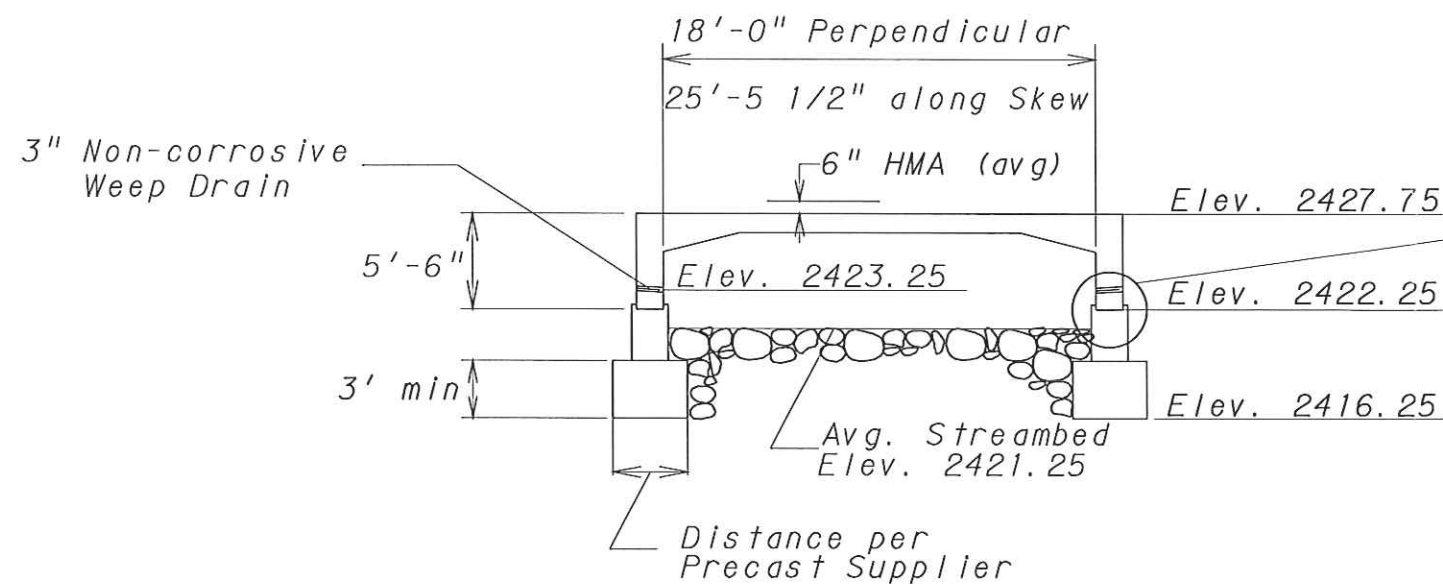
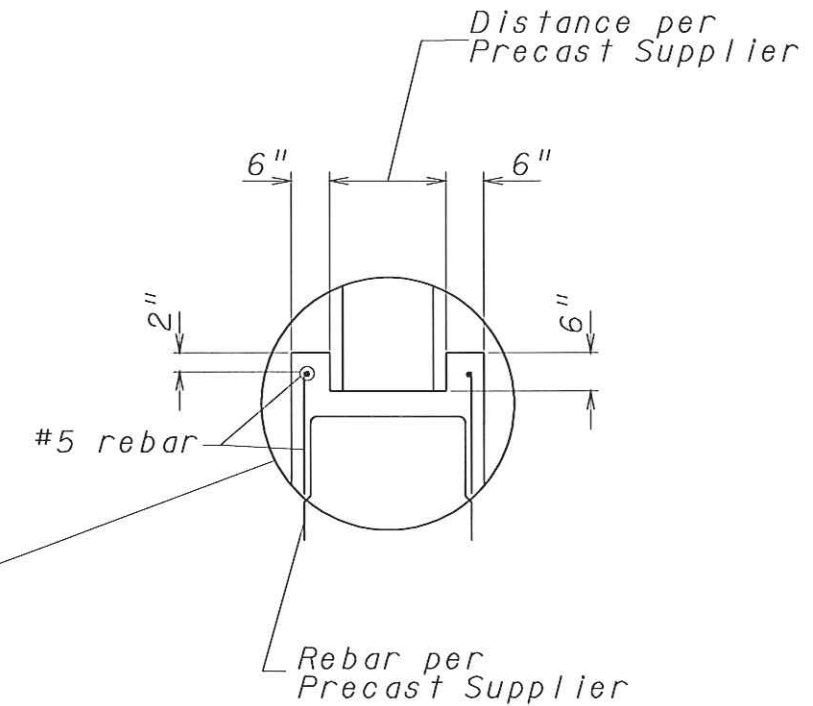
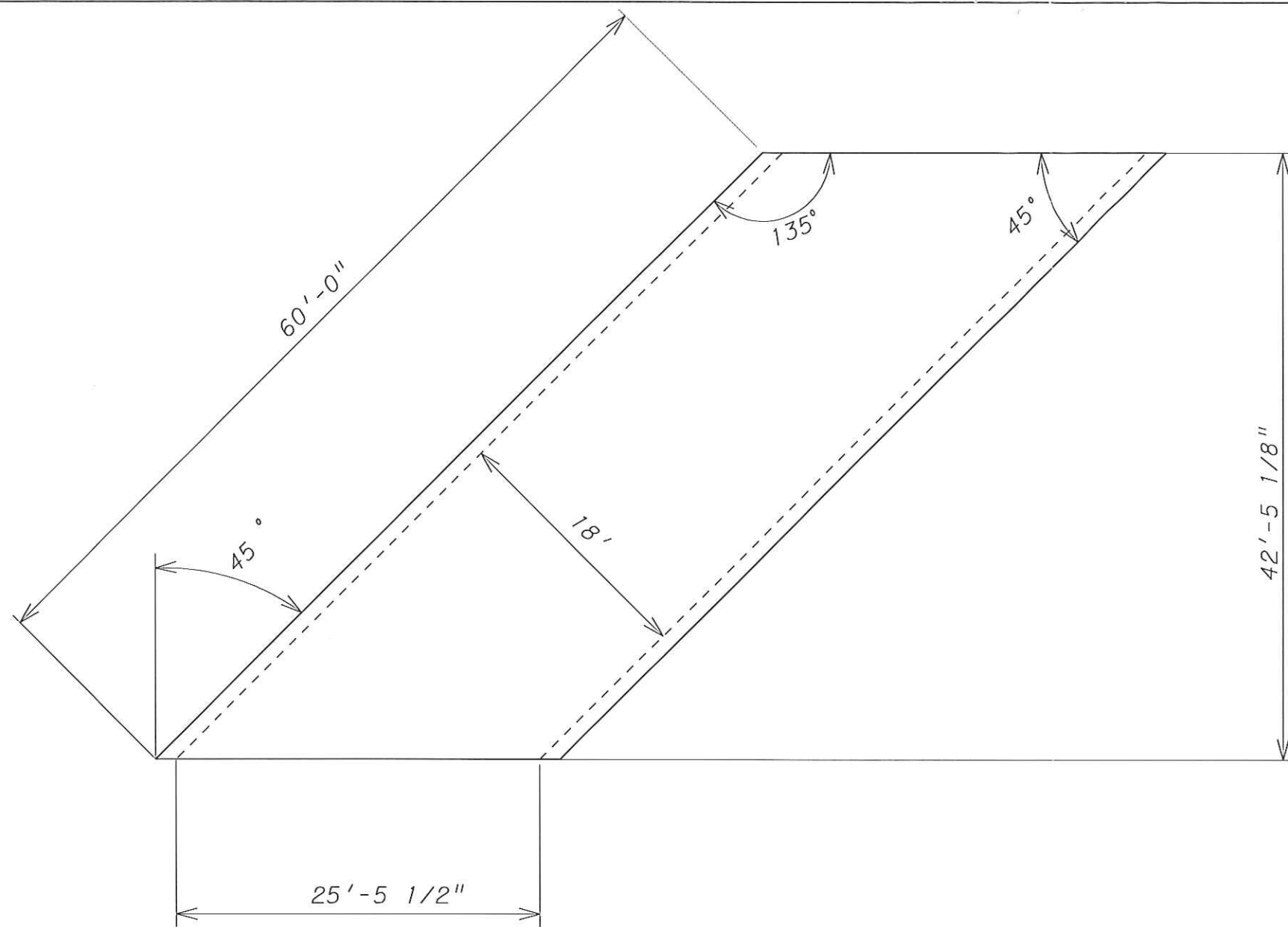


Public Roads Div.	State Dist. No.	State Project No.	Federal Project No.	Fiscal Year	County	Sheet No.	Total Sheets
W. V.	8	S342-49-3.67		2012	RANDOLPH	1	1

All sections of Special Provision Section 618 shall apply. The approach slab connections are not required. Vendor shall provide all materials required for the installation of the culvert except for the non-shrink grout. The footings and stem should be designed based on a bearing capacity of 2.5 KSF. Vendor shall also include all costs for the on-site manufacturer's representative required during the setting of culvert sections. Weep drain elevation can vary do to reinforcing design, one per leg per section required.



DESIGNED	DATE
RCK	11/11
DRAWN	
RCK	11/11
CHECKED	
DES	
CHECKED	

REVISION NUMBER	SHEET NUMBER	REVISION	DATE	BY

THE WEST VIRGINIA DEPARTMENT OF TRANSPORTATION  
DIVISION OF HIGHWAYS

**GRAY HOUSE BRIDGE**

over REDLICK RUN  
In RANDOLPH COUNTY

Supersstructure Details

SHEET	3 OF 3
BRIDGE NO.	10993

SECTIONAL 10-1000-1111 FROM