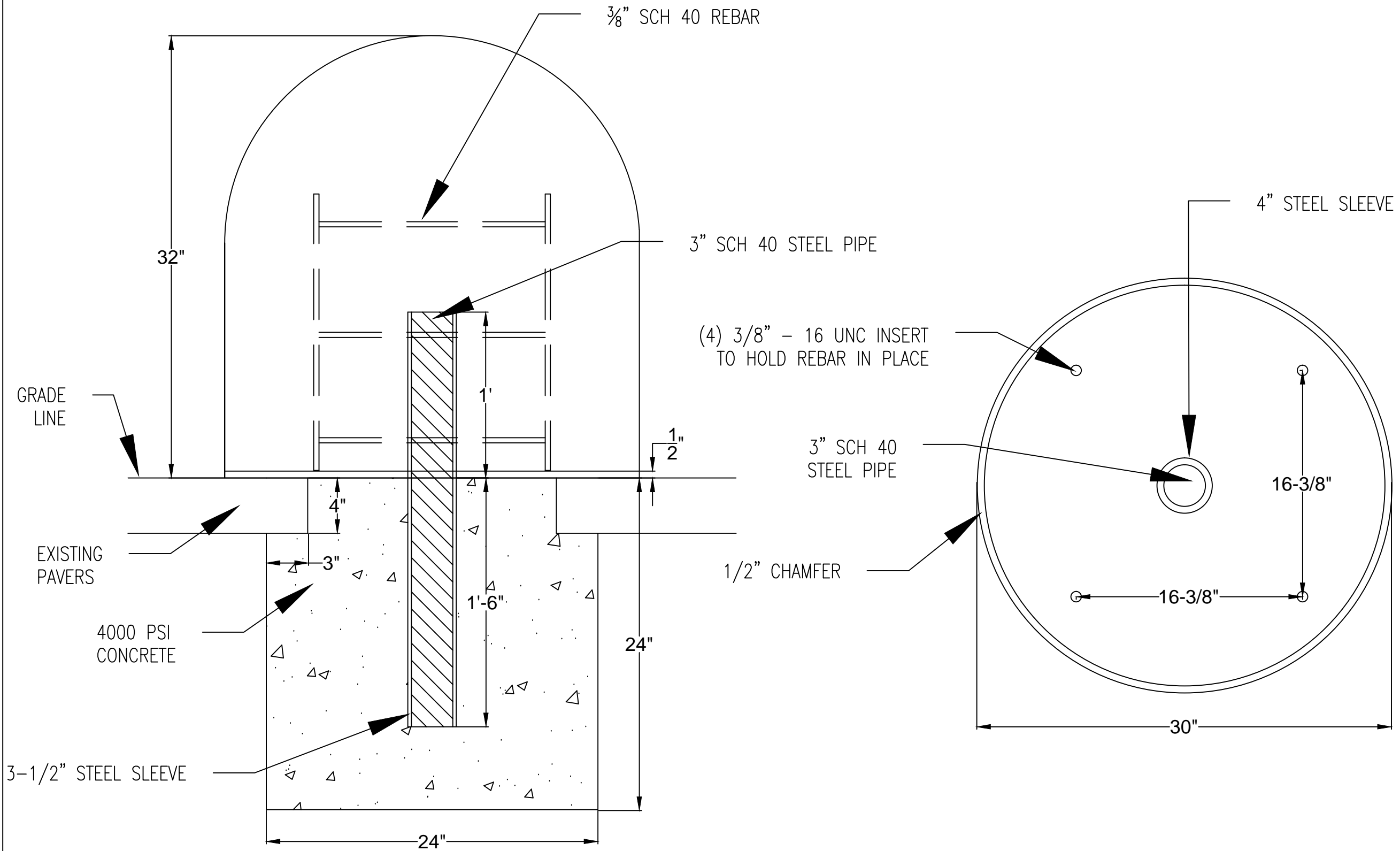




Landscape Enhancement

Capitol Complex
 1900 KANAWHA BOULEVARD EAST
 CHARLESTON, WEST VIRGINIA 25305



REVISIONS	
DATE	NO.

SEAL

REVISED	
DATE	SCALE
9/3/10	NOTED
DRAWN BY	CHK. BY
BMG	

DRAWING NUMBER
4PD

- Notes:**
- BOLLARD COLOR MUST BE APPROVED BY OWNER.
 - CONTRACTOR SHALL FIELD VERIFY ALL DIMENSIONS. ANY DISCREPENCIES SHALL BE BROUGHT TO THE PROJECT MANAGER / ARCHITECT ATTENTION PRIOR TO CONSTRUCTION.