



Landscape Enhancement
 Capitol Complex
 1900 KANAWHA BOULEVARD EAST
 CHARLESTON, WEST VIRGINIA 25305

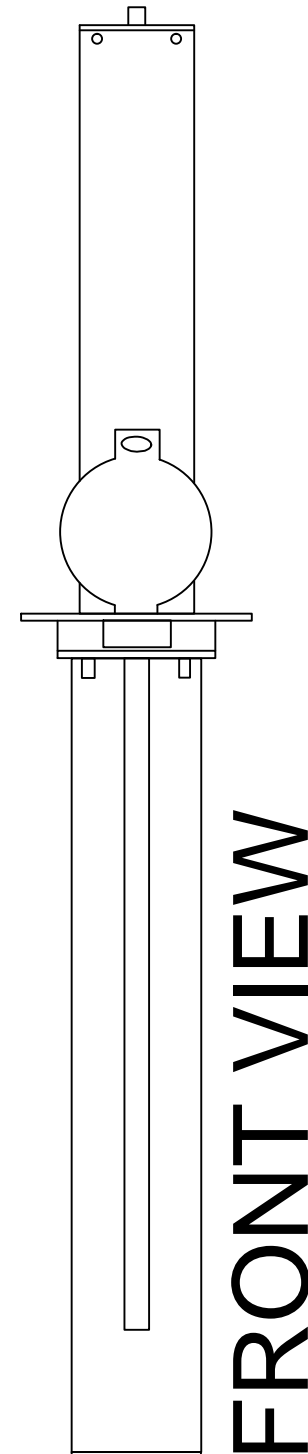
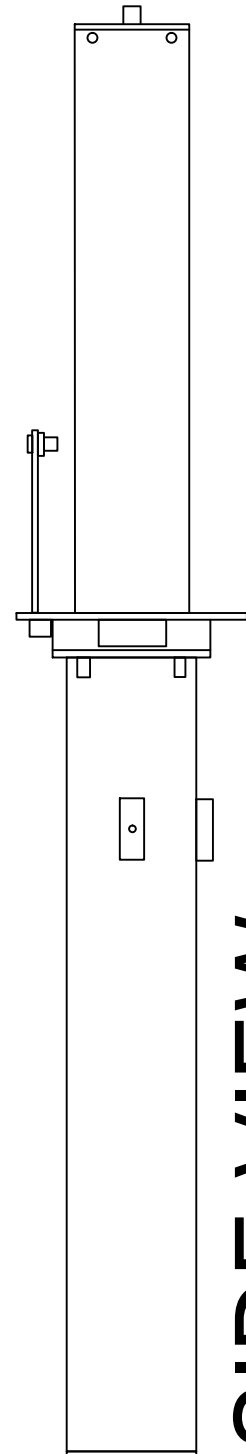
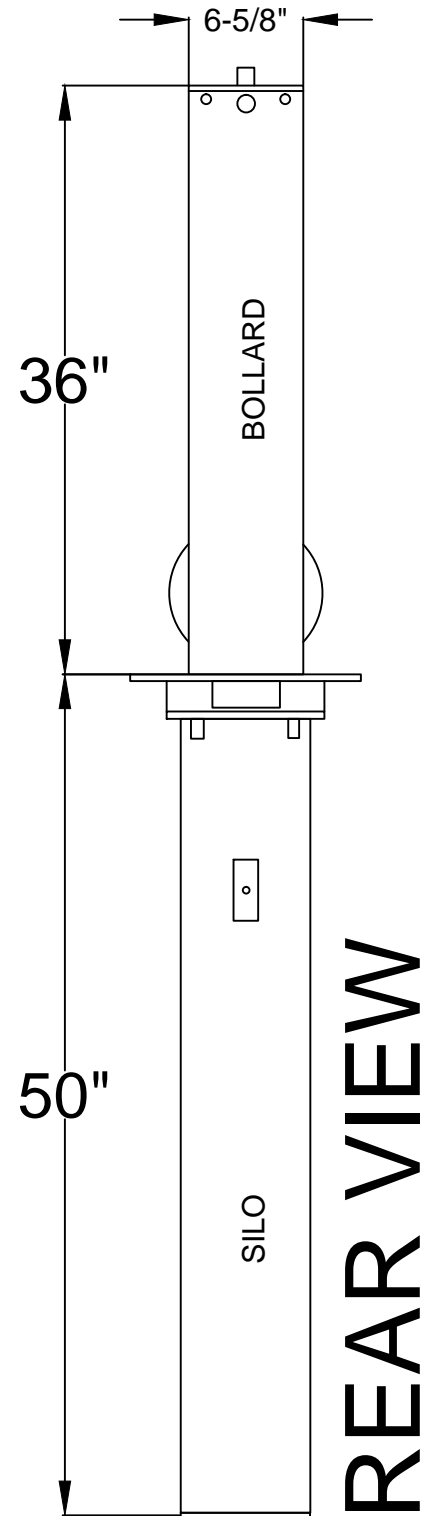
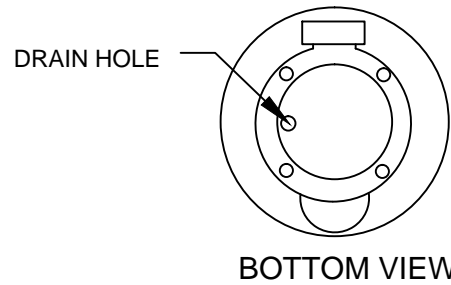
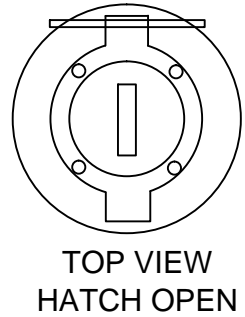
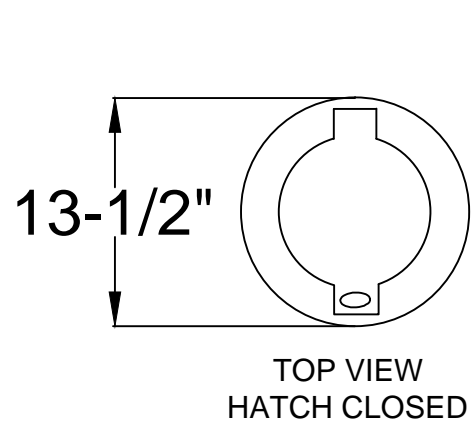
REVISIONS	
DATE	NO.

SEAL

REVISED

DATE 9/3/10	SCALE NOTED
DRAWN BY BMG	CHK. BY

DRAWING NUMBER
2PD



- NOTES**
- PRODUCT CAL PIPE SECURITY BOLLARD LBMRO60X0 OR EQUAL
 - BOLLARD FINISH MUST BE APPROVED BY OWNER
 - CONTRACTOR MUST FIELD VERIFY ALL DIMENSIONS. ANY DISCREPANCIES MUST BE BROUGHT TO THE PROJECT MANAGER / ARCHITECT ATTENTION PRIOR TO CONSTRUCTION.