

**Landscape Enhancement**

**Capitol Complex**

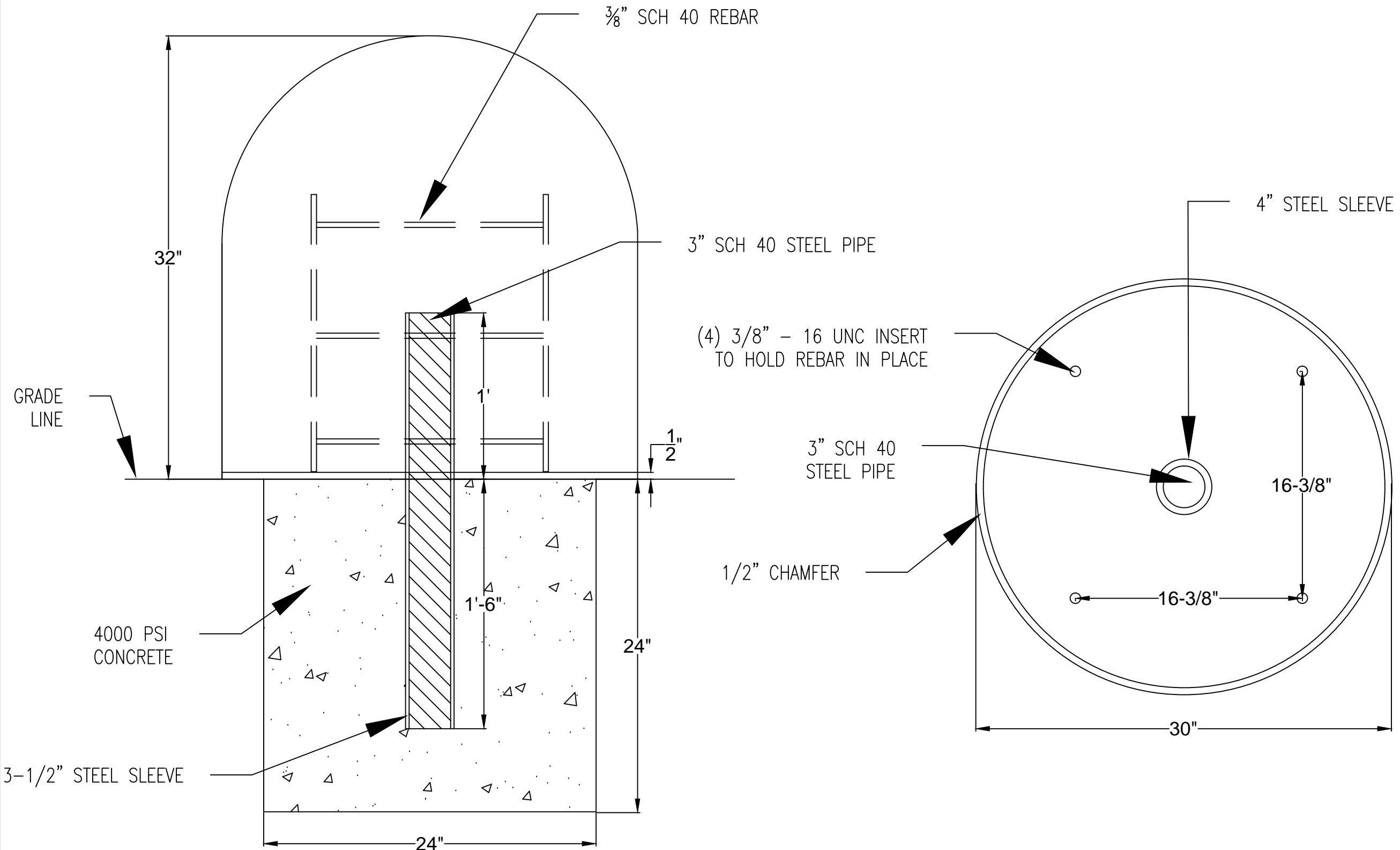
1900 KANAWHA BOULEVARD EAST  
CHARLESTON, WEST VIRGINIA 25305

REVISIONS	
DATE	NO.

SEAL

REVISED	
DATE	SCALE
9/3/10	NOTED
DRAWN BY	CHK. BY
BMG	

DRAWING NUMBER  
**1PD**



- Notes:**
- BOLLARD COLOR MUST BE APPROVED BY OWNER.
  - CONTRACTOR SHALL FIELD VERIFY ALL DIMENSIONS. ANY DISCREPENCIES SHALL BE BROUGHT TO THE PROJECT MANAGER / ARCHITECT ATTENTION PRIOR TO CONSTRUCTION.