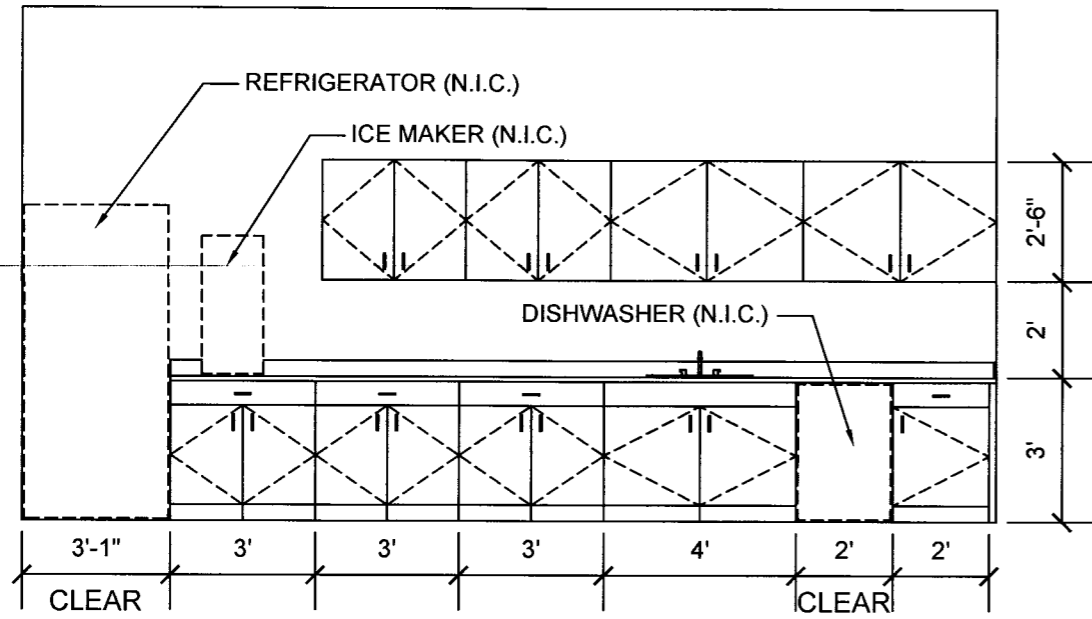
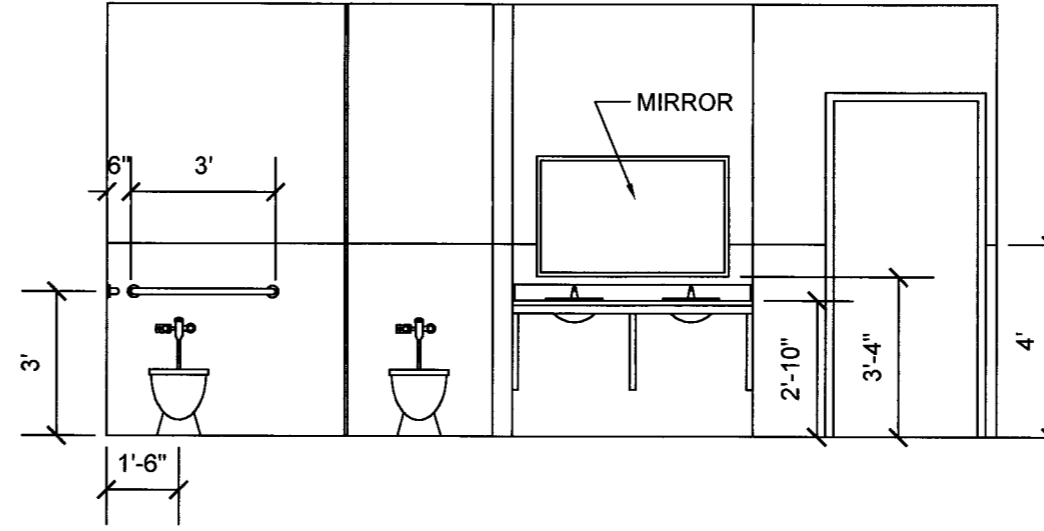




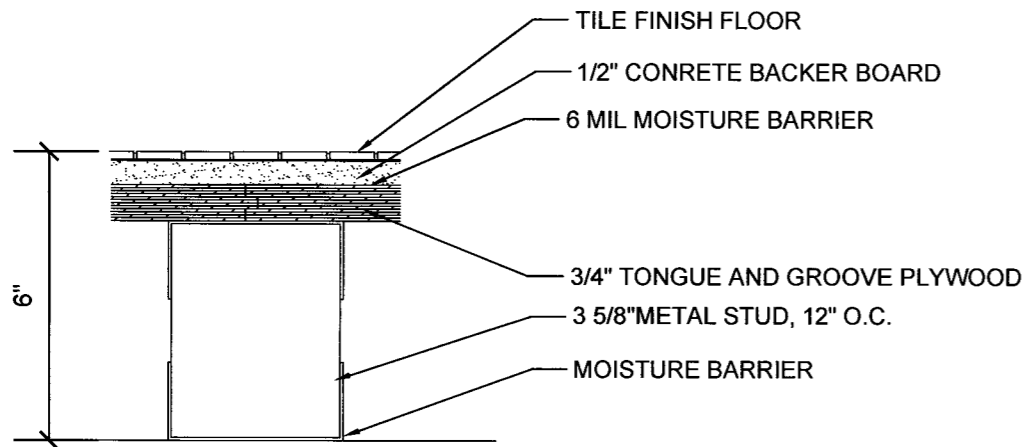
**DHHR RESTROOMS**  
**ONE DAVIS**  
**BUILDING #36**  
 1 DAVIS SQUARE  
 CHARLESTON, WEST VIRGINIA 25301



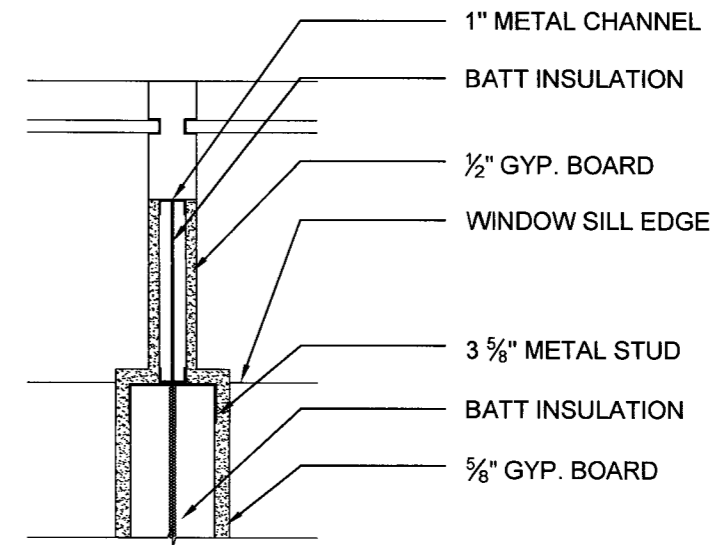
**1 ELEVATION**  
 Scale: 1/4" = 1'-0"



**2 ELEVATION**  
 Scale: 1/4" = 1'-0"



**3 RAISED FLOOR DETAIL @ RESTROOMS**  
 Scale: 3" = 1'-0"



**4 WALL DETAIL @ WINDOWS**  
 Scale: 1-1/2" = 1'-0"

ROOM FINISH SCHEDULE							
ROOM NAME	FLOOR	WALLS			CEILING		NOTES
		N	S	E	W	MATL	
WOMANS RR	TILE	P1	T	-	-	ATC	9'-0"
MENS RR	TILE	P1	T	-	-	ATC	9'-0"
LOUNGE	VCT	P1	P1	P1	P1	ATC	- MATCH EXIST'G HGT
CORRIDOR	CRPT	P1	P2	-	-	ATC	- MATCH EXIST'G HGT

**ABBREVIATIONS:**  
 ATC ACOUSTIC TILE CEILING  
 CRPT CARPET  
 HGT. HEIGHT  
 METL METAL  
 N/A NOT APPLICABLE  
 PASSAGE PASSAGE LOCKSET  
 P1/T PAINT/TILE  
 P1 PAINT COLOR 1  
 P2 PAINT COLOR 2  
 WD WOOD  
 VCT VINYL COMPOSITION TILE

**FINISH SPECIFICATIONS**  
 FLOOR TILE AMERICAN OLEAN: 2"x2" MOSIAC  
 FIELD COLOR - WILLOW SPEC A94  
 ACCENT COLOR - ARTICHOKE A63  
 WALL TILE AMERICAN OLEAN 4"x4"  
 MATTE ALMOND 0087  
 TILE TRIM AMERICAN OLEAN  
 BULLNOSE  
 MATTE ARTICHOKE 0069  
 LAMINATE FORMICA  
 PARQUETTE LATTE 3453-77  
 AZROCK  
 FIELD COLOR - DESERT HAZE 874  
 ACCENT COLOR - BRAZILIA V987  
 PAINT PITTSBURGH PAINT  
 P1 - FRESCO CREAM SW7719  
 P2 - MESSENGER 7740  
 TRIM - LATTE 6018  
 CHAIR RAIL OWNER SUPPLY/CONTRACTOR INSTALL  
 CARPET OWNER SUPPLY/CONTRACTOR INSTALL

DOOR AND FRAME SCHEDULE															
MARK	DOOR					FRAME					FIRE RATING LABEL	HARDWARE		NOTES	
	SIZE			MATL	GLAZING	LOUVER		DETAIL				SET NO	KEYSIDE RM NO		
	WD	HGT	THK			WD	HGT	MATL	EL	HEAD					JAMB
1	3'-0"	7'-0"	1 3/4"	WD	N/A	N/A	N/A	METL	-	-	-	N/A	PASS	N/A	
2	3'-0"	7'-0"	1 3/4"	WD	N/A	N/A	N/A	METL	-	-	-	N/A	PASS	N/A	

REVISIONS	
DATE	NO.

SEAL

REVISED	
DATE	SCALE
08/05/10	NOTED
DRAWN BY	CHK. BY
MQE	

DRAWING NUMBER  
**A3**