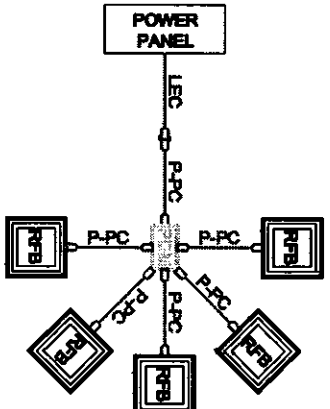


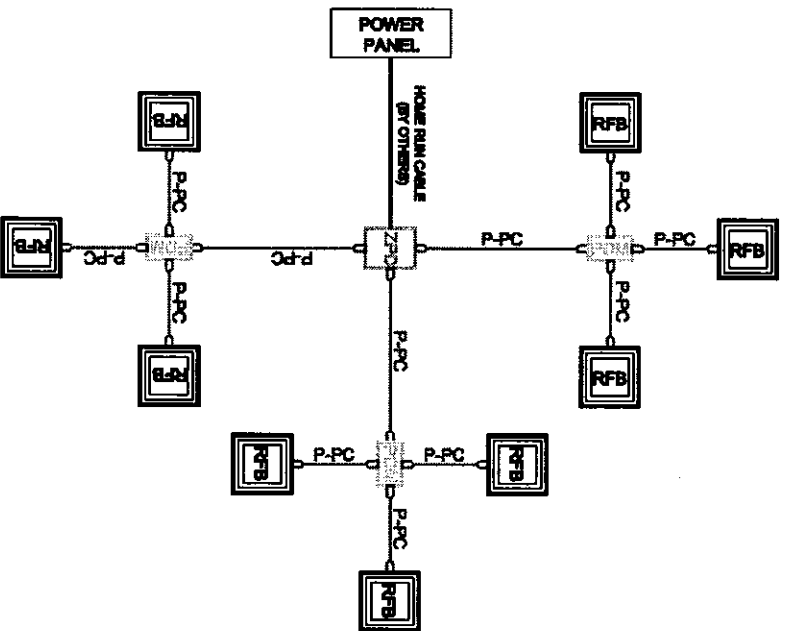
(3) RFB on (1) "4-Port" PDM



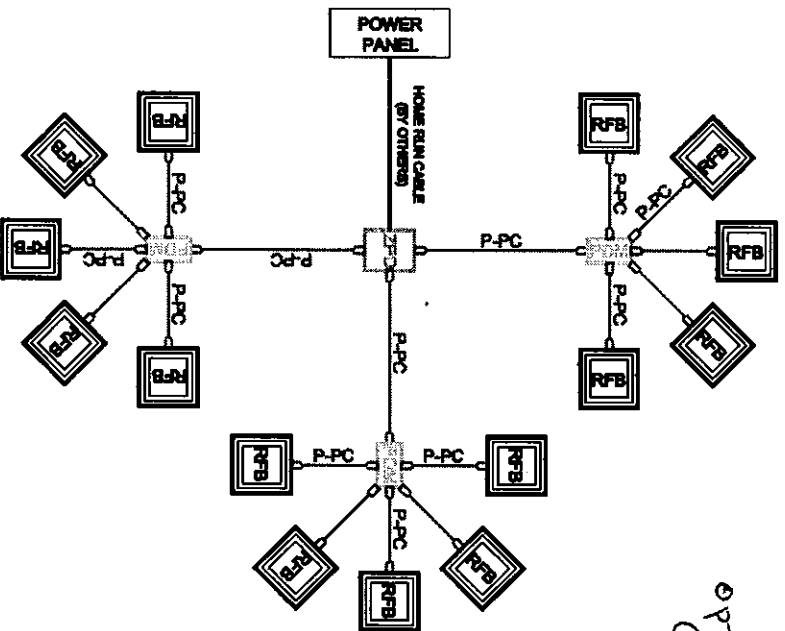
(6) RFB on (1) "8-Port" PDM

RFB QUANTITY OPTIONS WITH
POWER PANEL > PDM CONNECTION

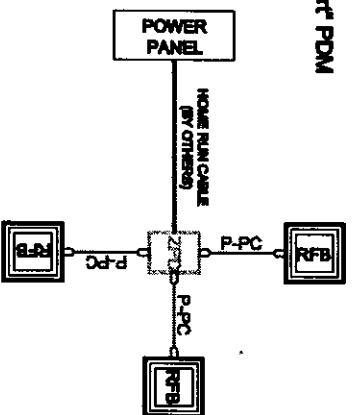
option
(B)



(9) RFB on (1) ZPD & (3) "4-Port" PDM



(15) RFB on (1) ZPD & (3) "8-Port" PDM



(3) RFB on (1) ZPD

RFB QUANTITY OPTIONS WITH
POWER PANEL > ZPD > PDM CONNECTION