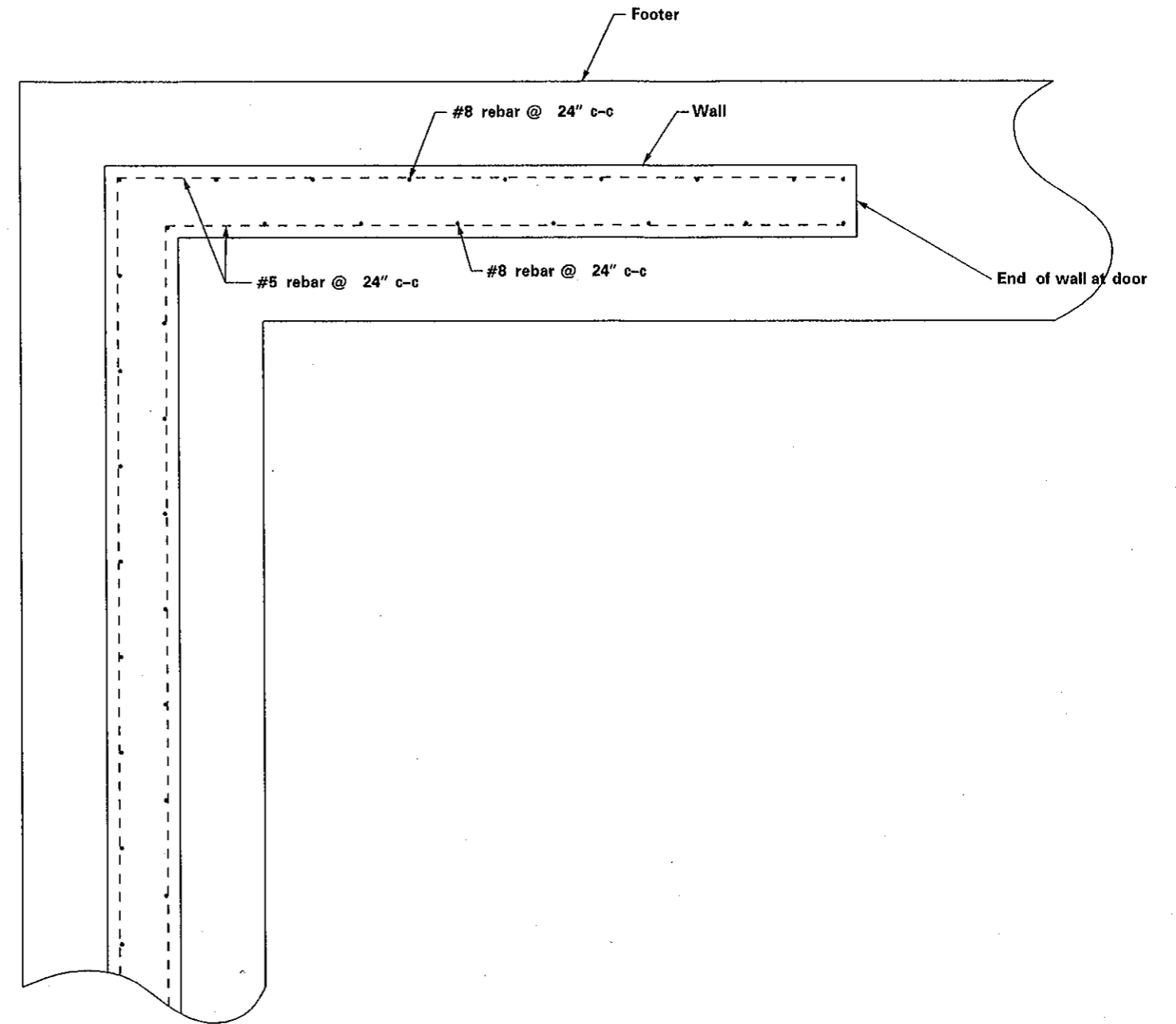
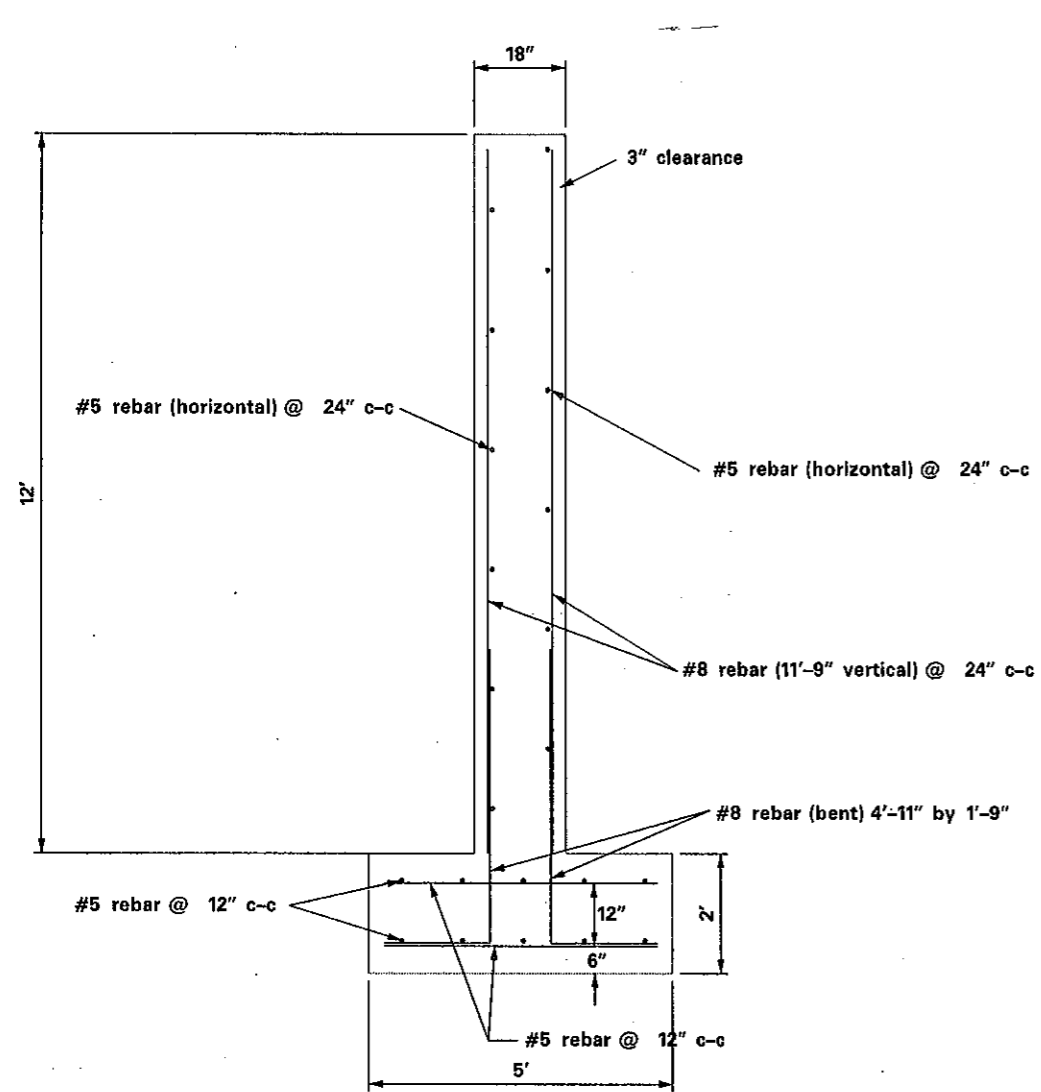


West Virginia Department of Transportation
Division of Highways

Thomas Salt Shed Plan View



West Virginia Department of Transportation
 Division of Highways

Thomas Salt Shed Rebar Details