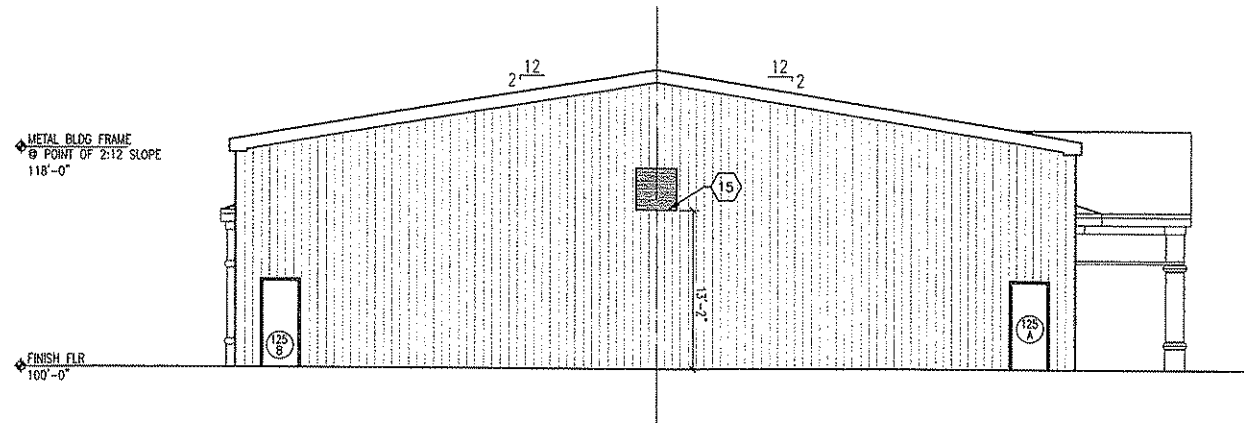


GENERAL NOTES

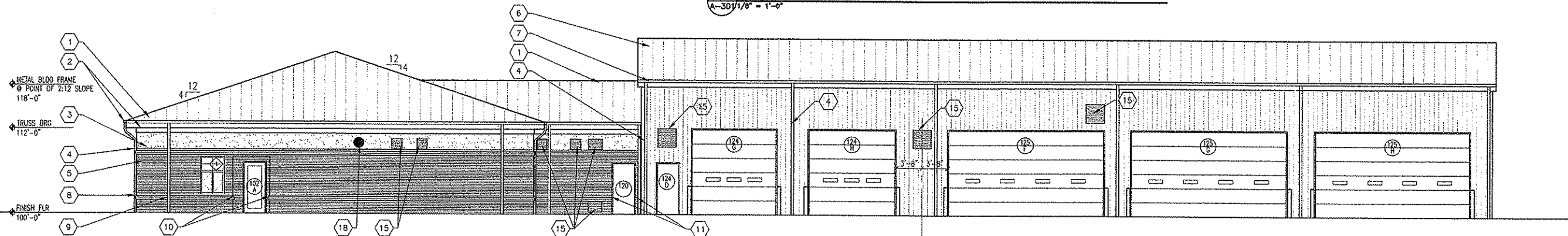
- CONTRACTOR TO PROVIDE (2) TWO DEDICATION PLAQUES, APPROX. 4'-0" X 4'-0" WITH 350 LETTERS PER PLAQUE. THE PLAQUES ARE TO BE PRODUCED BY THE SOUTHWELL COMPANY, METAL AND ARTS OMC INDUSTRIES, INC., GEMINI, OR EQUAL. A SHOP DRAWING IS REQUIRED FOR REVIEW AND COORDINATION WITH THE TRI-RIVER TRANSIT AUTHORITY ON INTERIOR & EXTERIOR LOCATIONS.
- ALL EXTERIOR FINISHES ON MAINTENANCE SIDE OF BUILDING TO BE PROVIDED BY METAL BUILDING MANUFACTURER.
- DOWNSPOUTS AT METAL BUILDING TO BE PROVIDED AND INSTALLED BY METAL BLDG MFR.

KEYNOTES

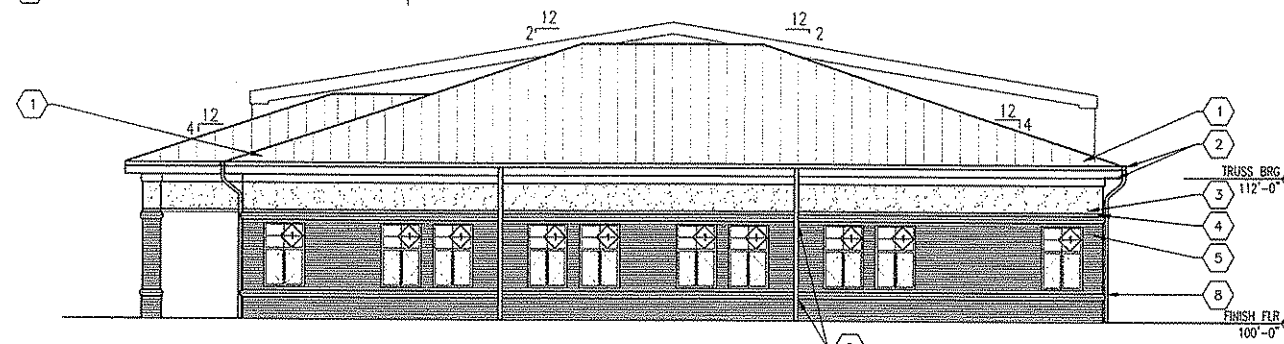
- STANDING SEAM METAL ROOF
- METAL FASCIA/ GUTTER
- EXTERIOR INSULATION AND FINISH SYSTEM
- METAL DOWNSPOUT
- BRICK VENEER
- METAL ROOF BY METAL BUILDING MANUFACTURER (SEE SPECIFICATIONS)
- METAL GUTTER BY METAL BUILDING MANUFACTURER (SEE SPECIFICATIONS)
- STANDARD BRICK SHAPE SILL/ HEAD
- STOP BRICK SHAPE FOR 4" TO ALLOW FOR DOWNSPOUT
- BULLNOSE TO STOP AT BRICK WALL IN THIS LOCATION ONLY (AT WALL WITH EXTERIOR DOOR THE BRICK WILL WRAP INTO THE OPENING)
- BULLNOSE BRICK IS TO BE CHAMFERED @ A 45° ANGLE AT EXTERIOR DOORS.
- EIFS ARCH AND CAPITOLS
- ALUMINUM STOREFRONT WINDOWS (TYP.)
- OVERHEAD COILING DOORS WITH VISION PANEL (TYP.)
- METAL LOANERS. SEE MECHANICAL FOR SIZES
- METAL SIDING BY METAL BLDG MFR (SEE SPECIFICATIONS)
- PIPE BOLLARD
- FAN. SEE MECH



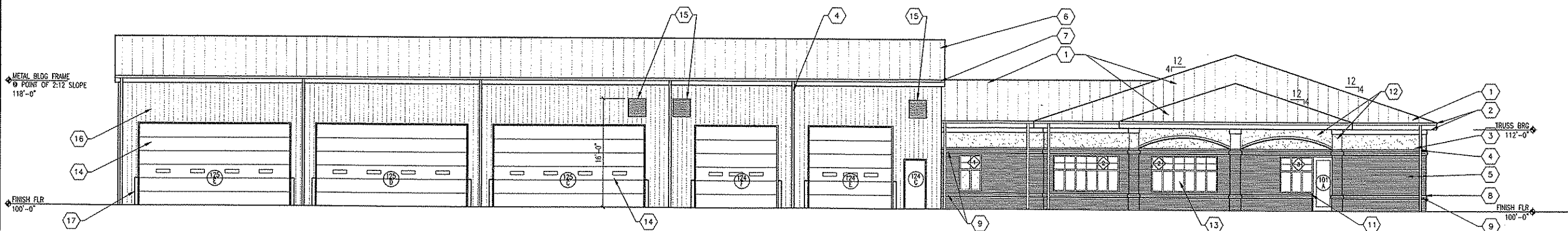
4 SIDE ELEVATION
A-301/1/8" = 1'-0"



3 REAR ELEVATION
A-301/1/8" = 1'-0"



2 ADMINISTRATIVE SIDE ELEVATION
A-301/1/8" = 1'-0"



1 FRONT ELEVATION
A-301/1/8" = 1'-0"

BURGESS & NIPLÉ
4424 EMERSON AVENUE
PARKERSBURG, WEST VIRGINIA 26104

TRI RIVER TRANSIT
ADMINISTRATIVE OFFICES AND
MAINTENANCE FACILITY
HAMLIN, WEST VIRGINIA

| SCHEMATIC DESIGN SUBMITTAL | NO. | DESCRIPTION | DATE |
|----------------------------|-----|-------------|------|
| 14 JAN 2009 | | | |

| | |
|--------------|--------------|
| JOB NO: | PR47213 |
| DATE: | 01 JULY 2009 |
| DESIGNED BY: | CW |
| DRAWN BY: | CSK |
| CHECKED BY: | CW |
| APPROVED BY: | VC |
| SCALE: | 1/8" = 1'-0" |

ELEVATIONS