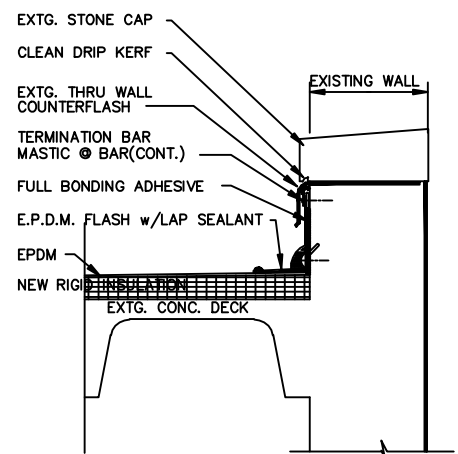
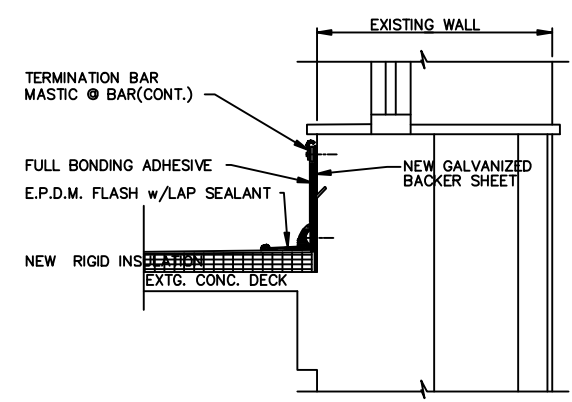
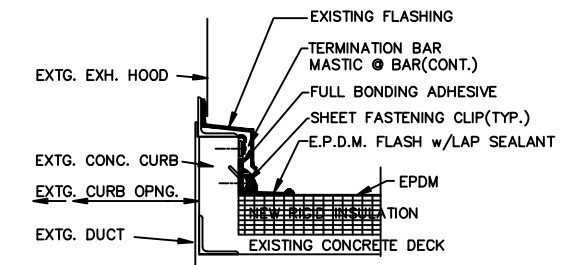


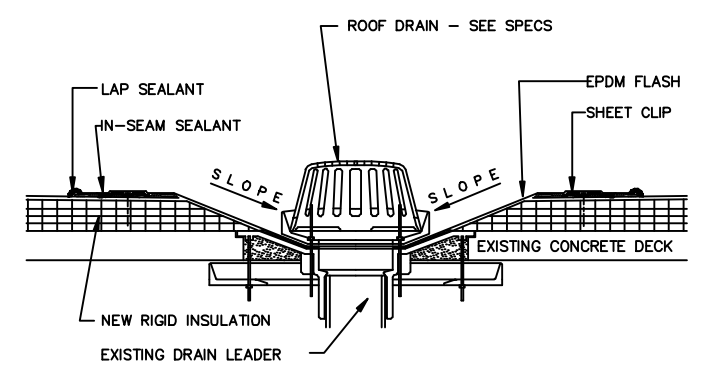
REVISION	DESCRIPTION	REVISED BY	DATE



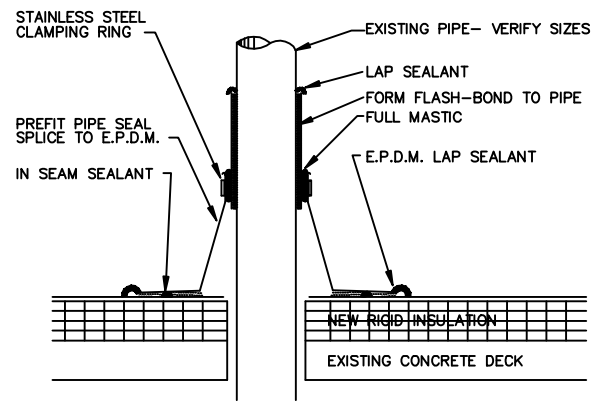
02 PARAPET WALL DETAIL



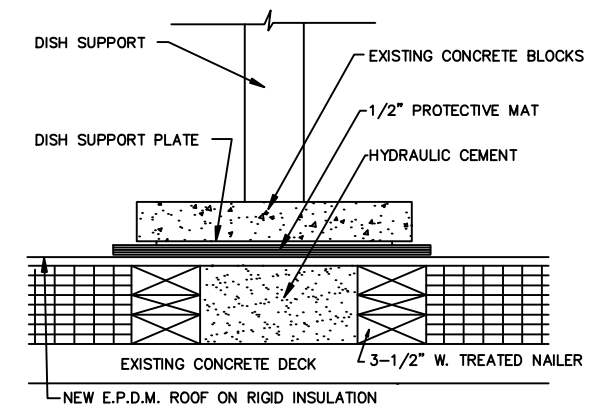
03 ROOF CURB DETAIL



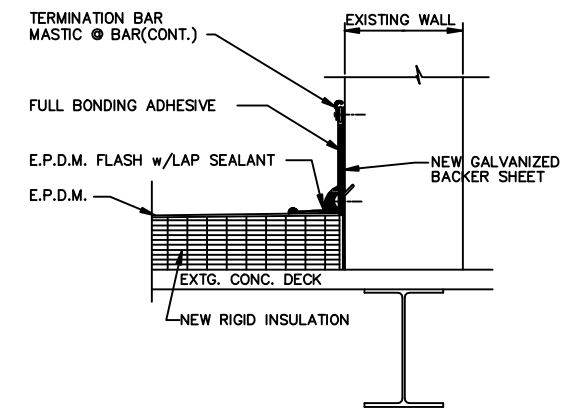
04 ROOF DRAIN DETAIL



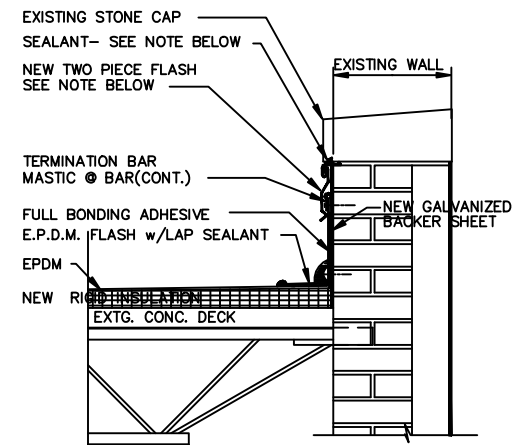
05 "COLD" PIPE FLASHING DETAIL



06 DISH SUPPORT DETAIL



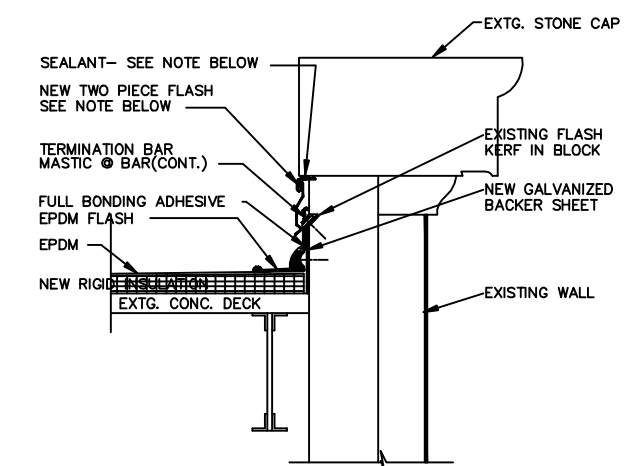
07 BASE WALL DETAIL



CUT KERF TO ACCEPT NEW 1" IN WALL 2 PIECE MASONRY FLASH(.015" STAINLESS STEEL) AS MANUFACTURED BY : KEYSTONE FLASHING COMPANY OR EQUAL

SEALANT TO BE 2 PART URETHANE SET CONTINUOUS WITH RUBBER BACKER RODS

08 PARAPET WALL DETAIL



CUT KERF TO ACCEPT NEW 1" IN WALL 2 PIECE MASONRY FLASH(.015" STAINLESS STEEL) AS MANUFACTURED BY : KEYSTONE FLASHING COMPANY OR EQUAL

SEALANT TO BE 2 PART URETHANE SET CONTINUOUS WITH RUBBER BACKER RODS

09 PARAPET WALL DETAIL

STATE OF WEST VIRGINIA
 DEPARTMENT OF ADMINISTRATION DIVISION OF GENERAL SERVICES
 CHARLESTON, WEST VIRGINIA

LOCATION: **WEST VIRGINIA STATE CAPITOL**
 BUILDING: **BUILDING 4**
 PROJECT: **NEW ROOF**

DRAWING TITLE: **DETAILS**
 DRAWN BY: BMG SCALE: N/A DATE: 5/25/09

DRAWING NO: **A3**