



State of West Virginia
 Department of Administration
 Purchasing Division
 2019 Washington Street East
 Post Office Box 50130
 Charleston, WV 25305-0130

Request for Quotation

RFQ NUMBER
EBA228

PAGE
1

ADDRESS CORRESPONDENCE TO ATTENTION OF:
SHELLY MURRAY 304-558-8801

RFQ COPY
 TYPE NAME/ADDRESS HERE

VENDOR

SHIP TO

EDUCATIONAL BROADCASTING
 AUTHORITY
 600 CAPITOL STREET
 CHARLESTON, WV
 25301-1223 304-558-3400

DATE PRINTED	TERMS OF SALE	SHIP VIA	F.O.B.	FREIGHT TERMS
07/08/2009				

BID OPENING DATE: 07/30/2009 BID OPENING TIME 01:30PM

LINE	QUANTITY	UOP	CAT NO	ITEM NUMBER	UNIT PRICE	AMOUNT
----- ADDENDUM NO. 1 -----						
THIS ADDENDUM IS ISSUED TO INCORPORATE EXHIBITS THAT INADVERTANTLY WERE LEFT OUT OF THE ORIGINAL DOCUMENTATION.						
ATTACHMENTS: EXHIBIT 1 EXHIBIT 2 EXHIBIT 3						
----- END OF ADDENDUM NO. 1 -----						
0001	1	LS		968-15		
ANTENNA TOWER CONSTRUCTION						

SEE REVERSE SIDE FOR TERMS AND CONDITIONS

SIGNATURE	TELEPHONE	DATE
TITLE	FEIN	ADDRESS CHANGES TO BE NOTED ABOVE

WHEN RESPONDING TO RFQ, INSERT NAME AND ADDRESS IN SPACE ABOVE LABELED 'VENDOR'

**GENERAL TERMS & CONDITIONS
REQUEST FOR QUOTATION (RFQ) AND REQUEST FOR PROPOSAL (RFP)**

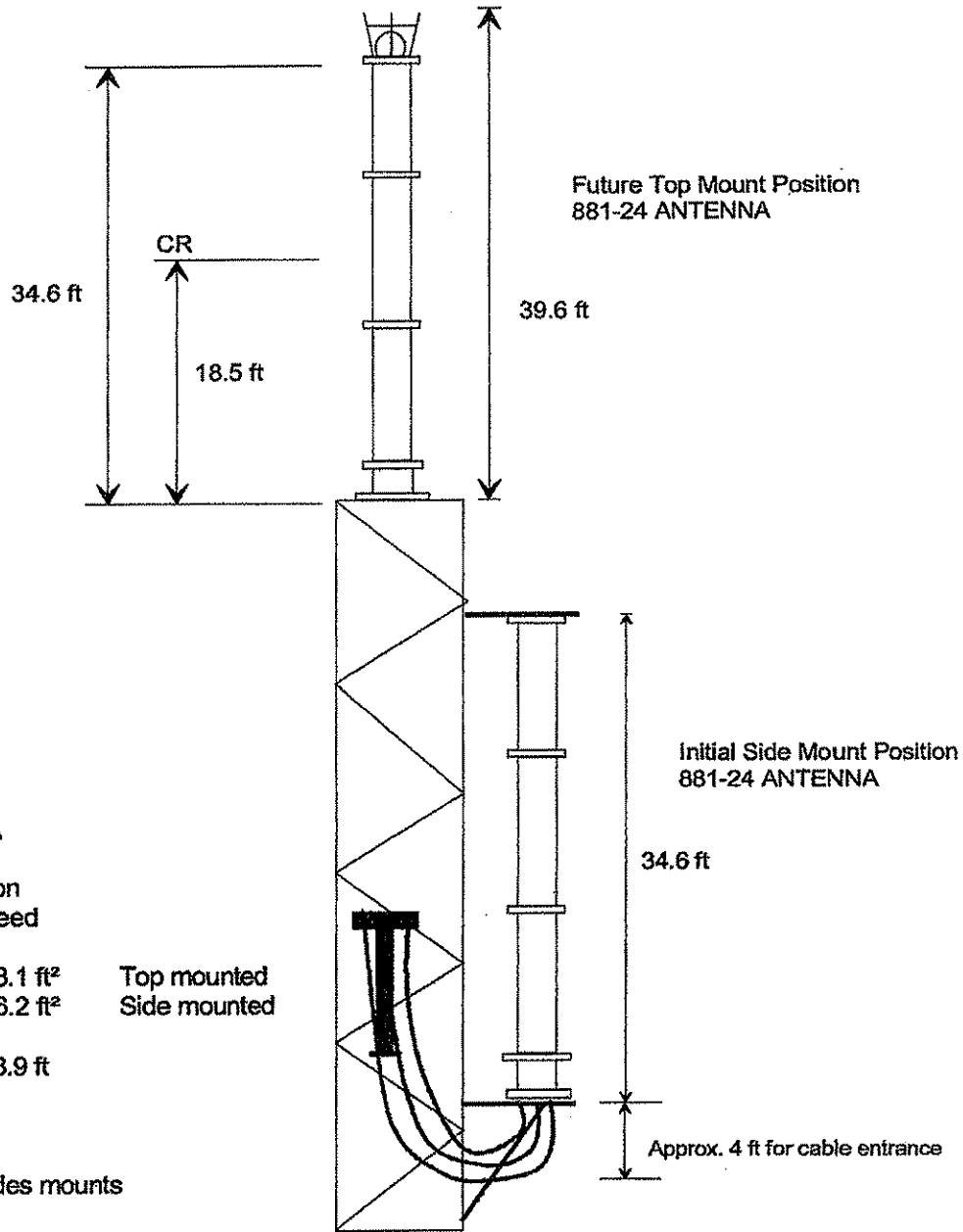
1. Awards will be made in the best interest of the State of West Virginia.
2. The State may accept or reject in part, or in whole, any bid.
3. All quotations are governed by the *West Virginia Code* and the *Legislative Rules* of the Purchasing Division.
4. Prior to any award, the apparent successful vendor must be properly registered with the Purchasing Division and have paid the required \$125 fee.
5. All services performed or goods delivered under State Purchase Order/Contracts are to be continued for the term of the Purchase Order/Contracts, contingent upon funds being appropriated by the Legislature or otherwise being made available. In the event funds are not appropriated or otherwise available for these services or goods, this Purchase Order/Contract becomes void and of no effect after June 30.
6. Payment may only be made after the delivery and acceptance of goods or services.
7. Interest may be paid for late payment in accordance with the *West Virginia Code*.
8. Vendor preference will be granted upon written request in accordance with the *West Virginia Code*.
9. The State of West Virginia is exempt from federal and state taxes and will not pay or reimburse such taxes.
10. The Director of Purchasing may cancel any Purchase Order/Contract upon 30 days written notice to the seller.
11. The laws of the State of West Virginia and the *Legislative Rules* of the Purchasing Division shall govern all rights and duties under the Contract, including without limitation the validity of this Purchase Order/Contract.
12. Any reference to automatic renewal is hereby deleted. The Contract may be renewed only upon mutual written agreement of the parties.
13. **BANKRUPTCY:** In the event the vendor/contractor files for bankruptcy protection, the State may deem this contract null and void, and terminate such contract without further order.
14. **HIPAA BUSINESS ASSOCIATE ADDENDUM:** The West Virginia State Government HIPAA Business Associate Addendum (BAA), approved by the Attorney General, and available online at the Purchasing Division's web site (<http://www.state.wv.us/admin/purchase/vrc/hipaa.htm>) is hereby made part of the agreement. Provided that, the Agency meets the definition of a Cover Entity (45 CFR §160.103) and will be disclosing Protected Health Information (45 CFR §160.103) to the vendor.
15. **WEST VIRGINIA ALCOHOL & DRUG-FREE WORKPLACE ACT:** If this Contract constitutes a public improvement construction contract as set forth in Article 1D, Chapter 21 of the West Virginia Code ("The West Virginia Alcohol and Drug-Free Workplace Act"), then the following language shall hereby become part of this Contract: "The contractor and its subcontractors shall implement and maintain a written drug-free workplace policy in compliance with the West Virginia Alcohol and Drug-Free Workplace Act, as set forth in Article 1D, Chapter 21 of the West Virginia Code. The contractor and its subcontractors shall provide a sworn statement in writing, under the penalties of perjury, that they maintain a valid drug-free work place policy in compliance with the West Virginia and Drug-Free Workplace Act. It is understood and agreed that this Contract shall be cancelled by the awarding authority if the Contractor: 1) Fails to implement its drug-free workplace policy; 2) Fails to provide information regarding implementation of the contractor's drug-free workplace policy at the request of the public authority; or 3) Provides to the public authority false information regarding the contractor's drug-free workplace policy."

INSTRUCTIONS TO BIDDERS

1. Use the quotation forms provided by the Purchasing Division.
2. **SPECIFICATIONS:** Items offered must be in compliance with the specifications. Any deviation from the specifications must be clearly indicated by the bidder. Alternates offered by the bidder as **EQUAL** to the specifications must be clearly defined. A bidder offering an alternate should attach complete specifications and literature to the bid. The Purchasing Division may waive minor deviations to specifications.
3. Complete all sections of the quotation form.
4. Unit prices shall prevail in case of discrepancy.
5. All quotations are considered F.O.B. destination unless alternate shipping terms are clearly identified in the quotation.
6. **BID SUBMISSION:** All quotations must be delivered by the bidder to the office listed below prior to the date and time of the bid opening. Failure of the bidder to deliver the quotations on time will result in bid disqualifications: Department of Administration, Purchasing Division, 2019 Washington Street East, P.O. Box 50130, Charleston, WV 25305-0130



881-24 Antenna
NTSC ch. 24 & DTV ch. 33
WNPB: Morgantown, WV



MECHANICAL DATA

EIA-222-F Specification
70 mi/h basic wind speed

Aero. Area, $CaAc = 28.1 \text{ ft}^2$
" $CaAc = 56.2 \text{ ft}^2$

Top mounted
Side mounted

Moment arm, $D1 = 18.9 \text{ ft}$

Weight = 2,300 lbs

Note: load data excludes mounts

EHM-030123-1SK

NOT DRAWN TO SCALE

EXHIBIT 2

DIELECTRIC COMMUNICATIONS ANTENNAS

Proposal #: 6504
 Location: Morgantown, WV.

Antenna Type: TFU-38J/V Special
 Call Letters: WNPB

Channel: 24
 Revision:

Electrical Specifications		Value		Remarks
		Ratio	dB	
RMS Gain at Main Lobe over halfwave dipole	Hpol	32.0	15.05	Hpol ERP: %
	Vpol	32.0	15.05	Vpol ERP: %
RMS Gain at Horizontal over halfwave dipole	Hpol	16.6	12.20	
	Vpol	16.6	12.20	
Peak Directional Gain over halfwave dipole	Hpol	51.7	17.13	Hpol ERP: 2900 kW 85 %
	Vpol	12.4	10.93	Vpol ERP: 696 kW 15 %
Peak Directional Gain at Horizontal over halfwave dipole	Hpol	26.8	14.28	
	Vpol	6.4	8.06	
Circularity		dB		
Axial Ratio		dB		
Beam Tilt		0.75 deg		
Peak TV Power 10% Aural		73 kW	18.63 dBk	14kw down stairs 56kw upstairs
Input		5 in	50 ohm	Type: EIA
Maximum Antenna Input VSWR		Pix + .5MHz	1.05 : 1	
		Color	1.08 : 1	
		Aural	1.10 : 1	
		Channel	1.10 : 1	
Patterns	Azimuth	C190260		
	Elevation	38J330075 38J330075-90		
	Field Strength	38J-MM		
Mechanical Specifications		Metric	English	
Height with Lightning Protector	H4	m	69 ft	
Height Less Lightning Protector	H2	m	65 ft	
Height of Center of Radiation	H3	m	32.5 ft	
Basic Wind Speed	V	km/h	70 mi/h	ANSI/EIA-222-E
Force Coeff. x Projected Area	Ca Ac	m ²	53.5 ft ²	Above tower top
Moment Arm	D1	m	34 ft	Above tower top
Force Coeff. x Projected Area	Ca Ac	m ²	ft ²	Below tower top
Moment Arm	D3	m	ft	Below tower top
Pole Bury Length	D2	m	ft	
Weight	W	t	8600 lbs	
Deicer Power (3 phase)		kW	volts	Radome
Antenna designed in accordance with AISC specifications for design of structural steel for building as prescribed by ANSI/EIA-222-E.				

Prepared By: JLS / WFS JLS wfs

Date: 18-Nov-91 NOTE: RS222C

Approved By: OBD

R1=2971 lbs, D1=34 ft, OTM=101,014 ft.lbs

JLScpsp-1

Dielectric

Proposal #: **DCA-9884-1** Antenna Type: **881-24** Channel: **24 NTSC**
 Call Letters: **WNPB** Location: **Morgantown, WV** **33 DTV**

Electrical Specifications		Value		Remarks	
		Ratio	dB		
RMS Gain at Main Lobe over Halfwave Dipole	Hpol	18.1	12.58	N24;	D33: 19.6 (12.92 dB)
	Vpol				
RMS Gain at Horizontal over Halfwave Dipole	Hpol	16.9	12.28	N24;	D33: 18.0 (12.55 dB)
	Vpol				
Peak Directional Gain over Halfwave Dipole	Hpol	39.8	16.00	N24;	D33: 45.1 (16.54 dB)
	Vpol				
Peak Directional Gain at Horizontal over Halfwave Dipole	Hpol	37.2	15.71	N24;	D33: 41.4 (16.17 dB)
	Vpol				
Circularity		dB			
Axial Ratio		dB			
Beam Tilt		0.50 deg		N24;	D33: 0.50 deg
Peak TV Power	10% Aural	31 kW	14.91 dBk	+4 kW average DTV power	
Antenna Input:	T/L	6 1/8 in	50.0 ohm	Type:	EIA/DCA
Maximum Antenna Input VSWR		Channel 1.10 : 1		D33: Channel: 1.10 : 1	
Patterns	Azimuth	881-24		D33: 881-33	
	Elevation	24I181050	24I181050-90	N24	
		24I196050	24I196050-90	D33	
Mechanical Specifications		Metric	English		
Height with Lightning Protector	H4	12.1 m	39.6 ft		
Height Less Lightning Protector	H2	10.5 m	34.6 ft		
Height of Center of Radiation	H3	5.6 m	18.5 ft	Above base flange	
Basic Wind Speed	V	112.7 km/h	70 mi/h	TIA/EIA-222-F.	
Force Coeff. x Projected Area	CaAc	2.61 m ²	28.1 ft ²	Above base flange ; CaAc = 56.2 ft ² Side mounted	
Moment Arm	D1	5.8 m	18.9 ft	Above base flange	
Force Coeff. x Projected Area	CaAc	m ²	ft ²		
Moment Arm	D3	m	ft		
Pole Bury Length	D2	m	ft		
Weight	W	1.0 t	2,300 lbs		
Radome					
Antenna designed in accordance with AISC specifications for design of structural steel for building as prescribed by TIA/EIA-222-F.					

NOTE:

Prepared By :
 Original Date : 28-Mar-02

Signature Not Verified

Revision: 1

Approved By :
 Rev. Date: 21-Nov-02

GS