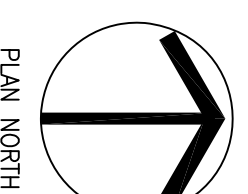
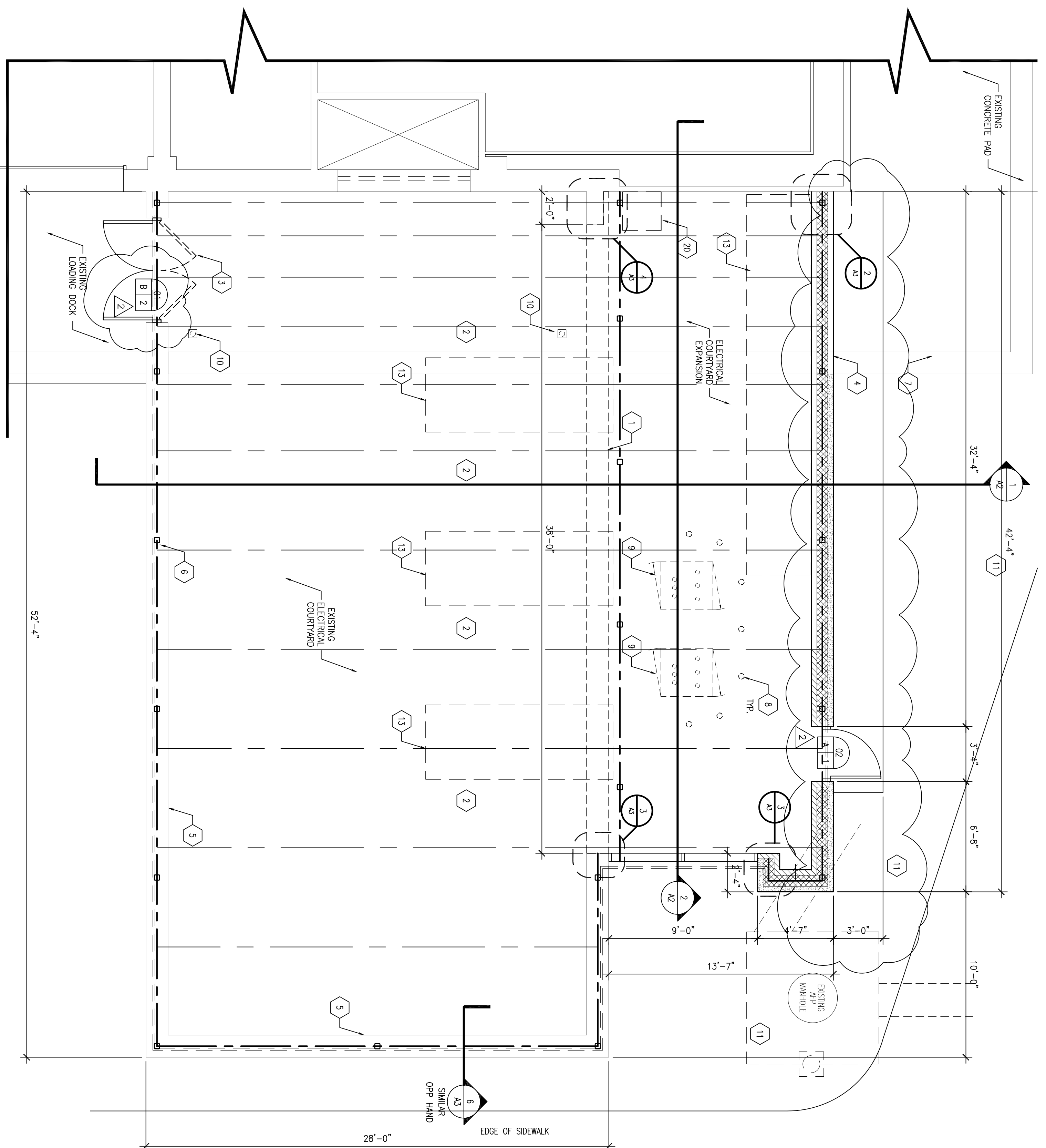


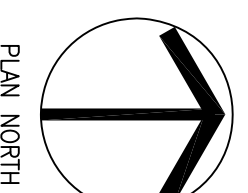
**ELECTRICAL COURTYARD EXPANSION ROOF PLAN**



SCALE: 1/4" = 1'-0"



**ELECTRICAL COURTYARD EXPANSION PLAN**



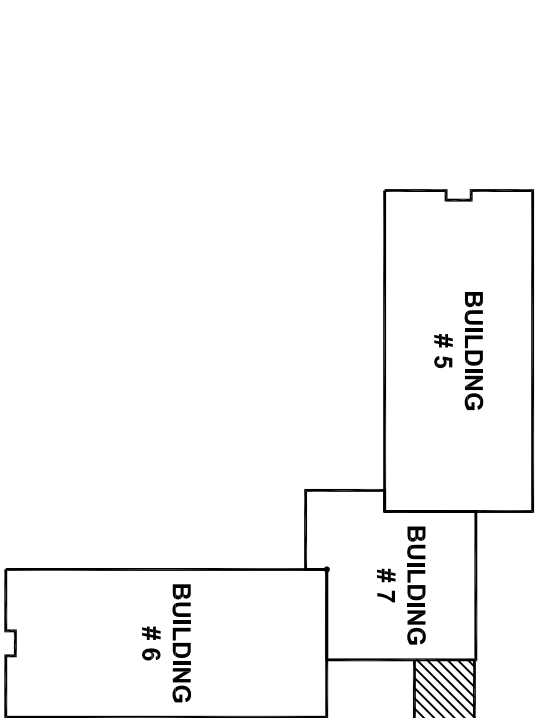
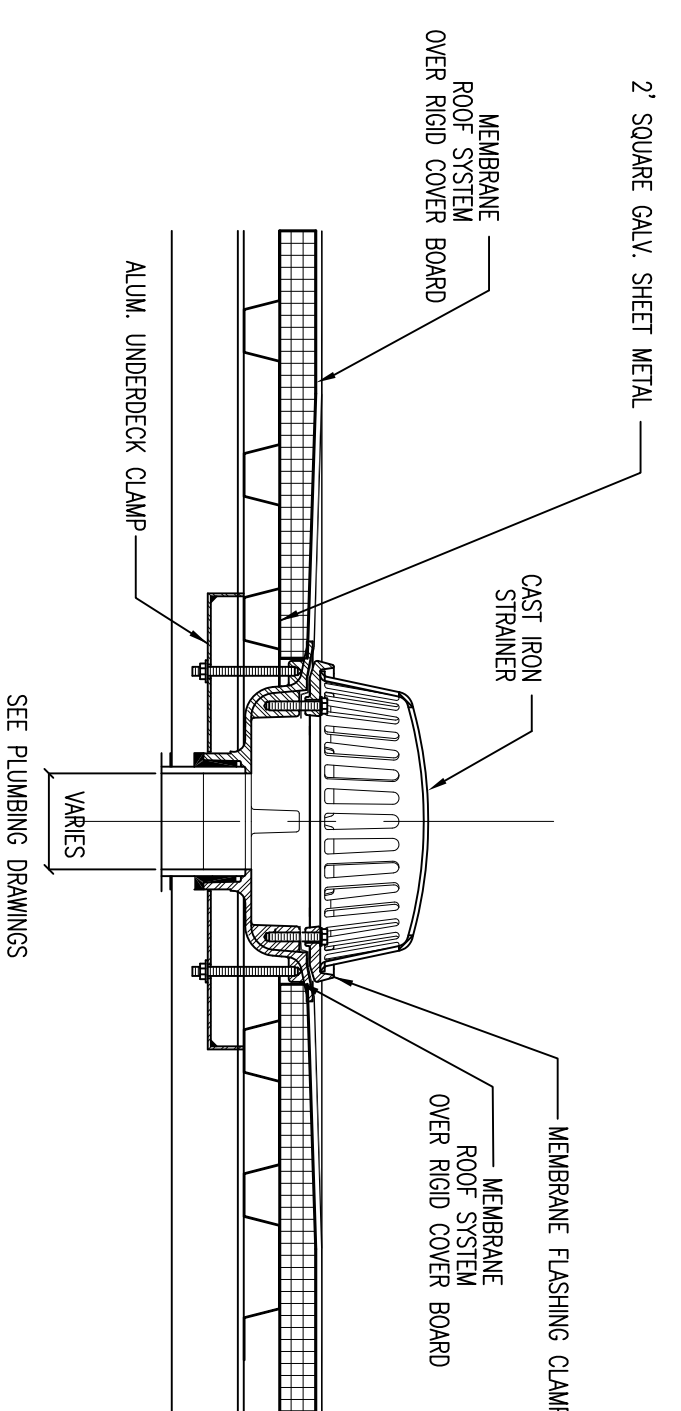
SCALE: 1/4" = 1'-0"

**KEYED NOTES**

- 1) SAW CUT PORTION OF GRANITE PANELS AND GRANITE WALL CHS THEM SAW CUT AND REMOVE PORTION OF EXISTING MASONRY WALL.
- 2) REMOVE PORTIONS OF CONCRETE FLOOR AND CONCRETE FOUNDATIONS TO INSTALL UNDERGROUND ELECTRICAL EQUIPMENT.
- 3) REMOVE EXISTING DOOR AND FRAME. REINSTALL DOOR AND FRAME SO THAT DOORS SWING OUTWARD AND PROVIDE NEW DOOR HANGING.
- 4) INSTALL SAWED AND REFINISH GRANITE PANELS THAT ARE UNDAMAGED AND INSTALL REMAINING WITH NEW GRANITE PANELS TO MATCH EXISTING.
- 5) EXISTING ENCLOSURE WALL TO REMAIN. CLEAN ALL PANELS AT END OF PROJECT.
- 6) INSTALL NEW 4"x4" STEEL COLUMNS FROM TOP OF MASONRY TO ROOF BEAM. FIELD VERIFY LOCATION OF COLUMNS AND BEE PLATES.
- 7) INSTALL NEW 4" CONCRETE SPOKES.
- 8) REMOVE EXISTING RELAYS.
- 9) EXISTING HIGH VOLTAGE SWITCHES TO BE REMOVED - SEE ELECTRICAL.
- 10) EXISTING FLOOR BEAM.
- 11) REGRADE AREA AROUND NEW CONSTRUCTION - SEE ALL DISTURBED AREAS.
- 12) TAPERED INSULATION - REFER TO SPECIFICATIONS.
- 13) NEW ELECTRICAL EQUIPMENT - REFER TO ELECTRICAL DRAWINGS.
- 14) ROOF DRAIN - SEE DETAIL THIS DRAWING.
- 15) TAPERED INSULATION - REFER TO SPECIFICATIONS.
- 16) NEW ROOF MOUNTED EXHAUST FAN.
- 17) NEW METAL PARALLEL CIP.
- 18) NEW ROOF MARGINE ON INSULATION BOARD.
- 19) ROOF FLASHING WITH TERMINATION BAR ON EXISTING CONCRETE PANELS. BRIND SMOOTH PORTION OF PAVELL TO RECEIVE TERMINATION BAR.
- 20) RELOCATE EXISTING EXHAUST FAN - SEE MECHANICAL.
- 21) SAW CUT AND REMOVE PORTION OF METAL CANOPY. REFINISH CANOPY EDGE PIECE. CANOPY SUPPORT BEAMS TO REMAIN.

**ROOF DETAIL**

SCALE: 1-1/2" = 1'-0"



**KEY PLAN**

NOT TO SCALE

REVISIONS NO.	DATE	DESCRIPTION
2/11/09		GENERAL REVISION - REVISED LOCATION AND ARRANGEMENT OF MEDIUM VOLTAGE SWITCHGEAR AND DOOR LOCATION.

**ZMM**  
 ARCHITECTS & ENGINEERS  
 222 Lee Street, West  
 Charleston, West Virginia 25302  
 Phone: 304.342.0159  
 Fax: 304.345.8144  
 www.zmm.com

**ELECTRICAL COURTYARD EXPANSION  
 STATE OFFICE BUILDINGS 5, 6, AND 7  
 WEST VIRGINIA STATE CAPITAL COMPLEX  
 Charleston, West Virginia**

CONSTRUCTION DOCUMENTS

**FLOOR PLAN /  
 ROOF PLAN**

DRAWN	CHECKED
DATE	DATE
COMM. NO.	COMM. NO.

**A1-R1**