



State of West Virginia
 Department of Administration
 Purchasing Division
 2019 Washington Street East
 Post Office Box 50130
 Charleston, WV 25305-0130

Request for Quotation

RFO NUMBER
 DNR209116

PAGE
 1

ADDRESS CORRESPONDENCE TO ATTENTION OF:
 FRANK WHITTAKER
 304-558-2316

VIRGINIA

RFQ COPY
 TYPE NAME/ADDRESS HERE

SHIP TO

DIVISION OF NATURAL RESOURCES
 KANAWHA STATE FOREST
 ATTN: PARK SUPERINTENDENT
 ROUTE 2, BOX 285
 CHARLESTON, WV
 25314 304-346-5654

| DATE PRINTED | TERMS OF SALE | SHIP VIA | F.O.B. | FREIGHT TERMS |
|--------------|---------------|----------|--------|---------------|
| 04/23/2009 | | | | |

BID OPENING DATE: 05/26/2009 BID OPENING TIME: 01:30PM

| LINE | QUANTITY | UOP | CAT NO | ITEM NUMBER | UNIT PRICE | AMOUNT |
|--|----------|-----|--------|-------------|------------|--------|
| 0001 | 1 | LS | | 550-38 | | |
| PLAYGROUND EQUIPMENT (NOT OTHERWISE CLASSIFIED) THE WEST VIRGINIA PURCHASING DIVISION, FOR THE AGENCY, THE WEST VIRGINIA DIVISION OF NATURAL RESOURCES, IS SOLICITING BIDS FROM RESPONSIBLE VENDORS TO PROVIDE LABOR AND MATERIAL FOR THE CONSTRUCTION OF PLAYGROUND EQUIPMENT AT KANAWHA STATE FOREST PER THE ATTACHED SPECIFICATIONS. A MANDATORY PRE-BID MEETING WILL BE HELD ON MAY 4, 2009 AT 10:00 AM AT THE PARK HEADQUARTERS. FAILURE TO ATTEND THE MANDATORY PRE-BID MEETING WILL RESULT IN BID DISQUALIFICATION. AN INDIVIDUAL MAY NOT REPRESENT MORE ONE FIRM AT THE MANDATORY PRE-BID MEETING. TECHNICAL QUESTIONS MAY BE SUBMITTED IN WRITING TO FRANK WHITTAKER IN THE PURCHASING DIVISION VIA FAX AT 304-558-4115 OR VIA EMAIL AT FRANK.M.WHITTAKER@WV.GOV DEADLINE FOR TECHNICAL QUESTIONS IS 05/07/09 @ 3:00 PM ALL TECHNICAL QUESTIONS WILL BE ADDRESSED BY ADDENDUM AFTER THE DEADLINE. THE MODEL/BRAND/SPECIFICATIONS NAMED HEREIN ESTABLISH THE ACCEPTABLE LEVEL OF QUALITY ONLY AND ARE NOT INTENDED TO REFLECT A PREFERENCE OR FAVOR ANY PARTICULAR BRAND OR VENDOR. VENDORS WHO ARE BIDDING ALTERNATES SHOULD SO STATE AND INCLUDE PERTINENT LITERATURE AND SPECIFICATIONS. FAILURE TO PROVIDE INFORMATION FOR ANY ALTERNATES MAY BE GROUNDS FOR REJECTION OF THE BID. THE STATE RESERVES THE RIGHT TO WAIVE MINOR IRREGULARITIES IN BIDS OR SPECIFICATION | | | | | | |

| | | | | | |
|-----------|------|-----------------------------------|-----------|--|------|
| SIGNATURE | | | TELEPHONE | | DATE |
| TITLE | FEIN | ADDRESS CHANGES TO BE NOTED ABOVE | | | |

WHEN RESPONDING TO RFQ, INSERT NAME AND ADDRESS IN SPACE ABOVE LABELED 'VENDOR'

GENERAL TERMS & CONDITIONS
REQUEST FOR QUOTATION (RFQ) AND REQUEST FOR PROPOSAL (RFP)

1. Awards will be made in the best interest of the State of West Virginia.
2. The State may accept or reject in part, or in whole, any bid.
3. All quotations are governed by the *West Virginia Code* and the *Legislative Rules* of the Purchasing Division.
4. Prior to any award, the apparent successful vendor must be properly registered with the Purchasing Division and have paid the required \$125 fee.
5. All services performed or goods delivered under State Purchase Order/Contracts are to be continued for the term of the Purchase Order/Contracts, contingent upon funds being appropriated by the Legislature or otherwise being made available. In the event funds are not appropriated or otherwise available for these services or goods, this Purchase Order/Contract becomes void and of no effect after June 30.
6. Payment may only be made after the delivery and acceptance of goods or services.
7. Interest may be paid for late payment in accordance with the *West Virginia Code*.
8. Vendor preference will be granted upon written request in accordance with the *West Virginia Code*.
9. The State of West Virginia is exempt from federal and state taxes and will not pay or reimburse such taxes.
10. The Director of Purchasing may cancel any Purchase Order/Contract upon 30 days written notice to the seller.
11. The laws of the State of West Virginia and the *Legislative Rules* of the Purchasing Division shall govern all rights and duties under the Contract, including without limitation the validity of this Purchase Order/Contract.
12. Any reference to automatic renewal is hereby deleted. The Contract may be renewed only upon mutual written agreement of the parties.
13. **BANKRUPTCY:** In the event the vendor/contractor files for bankruptcy protection, this Contract may be deemed null and void, and terminated without further order.
14. **HIPAA BUSINESS ASSOCIATE ADDENDUM:** The West Virginia State Government HIPAA Business Associate Addendum (BAA), approved by the Attorney General, and available online at the Purchasing Division's web site (<http://www.state.wv.us/admin/purchase/vrc/hipaa.htm>) is hereby made part of the agreement. Provided that, the Agency meets the definition of a Cover Entity (45 CFR §160.103) and will be disclosing Protected Health Information (45 CFR §160.103) to the vendor.
15. **WEST VIRGINIA ALCOHOL & DRUG-FREE WORKPLACE ACT:** If this Contract constitutes a public improvement construction contract as set forth in Article 1D, Chapter 21 of the West Virginia Code ("The West Virginia Alcohol and Drug-Free Workplace Act"), then the following language shall hereby become part of this Contract: "The contractor and its subcontractors shall implement and maintain a written drug-free workplace policy in compliance with the West Virginia Alcohol and Drug-Free Workplace Act, as set forth in Article 1D, Chapter 21 of the West Virginia Code. The contractor and its subcontractors shall provide a sworn statement in writing, under the penalties of perjury, that they maintain a valid drug-free work place policy in compliance with the West Virginia and Drug-Free Workplace Act. It is understood and agreed that this Contract shall be cancelled by the awarding authority if the Contractor: 1) Fails to implement its drug-free workplace policy; 2) Fails to provide information regarding implementation of the contractor's drug-free workplace policy at the request of the public authority; or 3) Provides to the public authority false information regarding the contractor's drug-free workplace policy."

INSTRUCTIONS TO BIDDERS

1. Use the quotation forms provided by the Purchasing Division.
2. **SPECIFICATIONS:** Items offered must be in compliance with the specifications. Any deviation from the specifications must be clearly indicated by the bidder. Alternates offered by the bidder as **EQUAL** to the specifications must be clearly defined. A bidder offering an alternate should attach complete specifications and literature to the bid. The Purchasing Division may waive minor deviations to specifications.
3. Complete all sections of the quotation form.
4. Unit prices shall prevail in case of discrepancy.
5. All quotations are considered F.O.B. destination unless alternate shipping terms are clearly identified in the quotation.
6. **BID SUBMISSION:** All quotations must be delivered by the bidder to the office listed below prior to the date and time of the bid opening. Failure of the bidder to deliver the quotations on time will result in bid disqualifications: Department of Administration, Purchasing Division, 2019 Washington Street East, P.O. Box 50130, Charleston, WV 25305-0130



State of West Virginia
 Department of Administration
 Purchasing Division
 2019 Washington Street East
 Post Office Box 50130
 Charleston, WV 25305-0130

Request for Quotation

| |
|------------|
| RFQ NUMBER |
| DNR209116 |

| |
|------|
| PAGE |
| 2 |

| |
|--|
| ADDRESS CORRESPONDENCE TO ATTENTION OF |
| FRANK WHITTAKER 304-558-2316 |

VENDOR

RFQ COPY
 TYPE NAME/ADDRESS HERE

SHIP TO

DIVISION OF NATURAL RESOURCES
 KANAWHA STATE FOREST
 ATTN: PARK SUPERINTENDENT
 ROUTE 2, BOX 285
 CHARLESTON, WV
 25314 304-346-5654

| | | | | |
|--------------|---------------|----------|--------|---------------|
| DATE PRINTED | TERMS OF SALE | SHIP VIA | F.O.B. | FREIGHT TERMS |
| 04/23/2009 | | | | |

BID OPENING DATE: 05/26/2009 BID OPENING TIME 01:30PM

| LINE | QUANTITY | UOP | CAT NO. | ITEM NUMBER | UNIT PRICE | AMOUNT |
|--|----------|-----|---------|-------------|------------|--------|
| <p>IN ACCORDANCE WITH SECTION 148-1-4(F) OF THE WEST VIRGINIA LEGISLATIVE RULES AND REGULATIONS. EXHIBIT 5</p> <p>WEST VIRGINIA CODE 21-1D-5 PROVIDES THAT: ANY SOLICITATION FOR A PUBLIC IMPROVEMENT CONSTRUCTION CONTRACT REQUIRES EACH VENDOR THAT SUBMITS A BID FOR THE WORK TO SUBMIT AT THE SAME TIME AN AFFIDAVIT OF COMPLIANCE WITH THE BID. THE ENCLOSED DRUG-FREE WORKPLACE AFFIDAVIT MUST BE SIGNED AND SUBMITTED WITH THE BID AS EVIDENCE OF THE VENDOR'S COMPLIANCE WITH THE PROVISIONS OF ARTICLE 1D, CHAPTER 21 OF THE WEST VIRGINIA CODE. FAILURE TO SUBMIT THE SIGNED DRUG-FREE WORKPLACE AFFIDAVIT WITH THE BID SHALL RESULT IN DISQUALIFICATION OF SUCH BID.</p> <p>NOTICE TO PROCEED: THIS CONTRACT IS TO BE PERFORMED WITHIN 90 CALENDAR DAYS AFTER THE NOTICE TO PROCEED IS RECEIVED. UNLESS OTHERWISE SPECIFIED, THE FULLY EXECUTED PURCHASE ORDER WILL BE CONSIDERED NOTICE TO PROCEED.</p> <p>CANCELLATION: THE DIRECTOR OF PURCHASING RESERVES THE RIGHT TO CANCEL THIS CONTRACT IMMEDIATELY UPON WRITTEN NOTICE TO THE VENDOR IF THE MATERIALS OR WORKMANSHIP SUPPLIED ARE OF AN INFERIOR QUALITY OR DO NOT CONFORM WITH THE SPECIFICATIONS OF THE BID AND CONTRACT HERE IN.</p> <p>WAGE RATES: THE CONTRACTOR OR SUBCONTRACTOR SHALL PAY THE HIGHER OF THE U.S. DEPARTMENT OF LABOR MINIMUM WAG RATES AS ESTABLISHED FOR KANAWHA COUNTY, PURSUANT TO WEST VIRGINIA CODE 21-5A, ET, SEQ. (PREVAILING WAGE RATES APPLY TO THIS PROJECT)</p> <p>ARBITRATION: ANY REFERENCES MADE TO ARBITRATION OR INTEREST FOR PAYMENTS DUE (EXCEPT FOR ANY INTEREST</p> | | | | | | |

SEE REVERSE SIDE FOR TERMS AND CONDITIONS

| | | |
|-----------|-----------|------|
| SIGNATURE | TELEPHONE | DATE |
|-----------|-----------|------|

| | | |
|-------|------|-----------------------------------|
| TITLE | FEIN | ADDRESS CHANGES TO BE NOTED ABOVE |
|-------|------|-----------------------------------|

WHEN RESPONDING TO RFQ, INSERT NAME AND ADDRESS IN SPACE ABOVE LABELED 'VENDOR'



State of West Virginia
 Department of Administration
 Purchasing Division
 2019 Washington Street East
 Post Office Box 50130
 Charleston, WV 25305-0130

Request for Quotation

| |
|------------|
| RFQ NUMBER |
| DNR209116 |

| |
|------|
| PAGE |
| 3 |

| |
|--|
| ADDRESS CORRESPONDENCE TO ATTENTION OF |
| FRANK WHITTAKER 304-558-2316 |

VENDOR

RFQ COPY
 TYPE NAME/ADDRESS HERE

SHIP TO

DIVISION OF NATURAL RESOURCES
 KANAWHA STATE FOREST
 ATTN: PARK SUPERINTENDENT
 ROUTE 2, BOX 285
 CHARLESTON, WV
 25314 304-346-5654

| DATE PRINTED | TERMS OF SALE | SHIP VIA | F.O.B. | FREIGHT TERMS |
|--------------|---------------|----------|--------|---------------|
| 04/23/2009 | | | | |

BID OPENING DATE: 05/26/2009 BID OPENING TIME 01:30PM

| LINE | QUANTITY | UOP | CAT NO | ITEM NUMBER | UNIT PRICE | AMOUNT |
|---|----------|-----|--------|-------------|------------|--------|
| <p>REQUIRED BY STATE LAW) CONTAINED IN THIS CONTRACT OR IN ANY AMERICAN INSTITUTE OF ARCHITECTS DOCUMENTS PERTAINING TO THIS CONTRACT ARE HEREBY DELETED.</p> <p>WORKERS' COMPENSATION: VENDOR IS REQUIRED TO PROVIDE A CERTIFICATE FROM WORKERS' COMPENSATION IF SUCCESSFUL</p> <p>ALL OF THE ITEMS CHECKED BELOW WILL BE A REQUIREMENT OF THIS CONTRACT:</p> <p>(XX) INSURANCE: SUCCESSFUL VENDOR SHALL FURNISH PROOF OF COMMERCIAL GENERAL LIABILITY INSURANCE PRIOR TO ISSUANCE OF CONTRACT. UNLESS OTHERWISE SPECIFIED IN THE BID DOCUMENTS, THE MINIMUM AMOUNT OF INSURANCE COVERAGE REQUIRED IS \$250,000.</p> <p>() BUILDERS RISK INSURANCE: SUCCESSFUL VENDOR SHALL FURNISH PROOF OF BUILDERS RISK - ALL RISK INSURANCE IN AN AMOUNT EQUAL TO 100% OF THE AMOUNT OF THE CONTRACT.</p> <p>(XX) BONDS: FIVE PERCENT (5%) OF THE TOTAL AMOUNT OF THE BID PAYABLE TO THE STATE OF WEST VIRGINIA, SHALL BE SUBMITTED WITH EACH BID AS A BID BOND. THE SUCCESSFUL BIDDER SHALL ALSO FURNISH A PERFORMANCE BOND AND LABOR MATERIAL BOND FOR 100% OF THE AMOUNT OF THE CONTRACT. BONDS MAY BE PROVIDED IN THE FORM OF A CERTIFIED CHECK, IRREVOCABLE LETTER OF CREDIT, OR BOND FURNISHED BY A SOLVENT SURETY COMPANY AUTHORIZED TO DO BUSINESS IN THE STATE OF WEST VIRGINIA. A LETTER OF CREDIT SUBMITTED IN LIEU OF A BOND WILL ONLY BE ALLOWED FOR PROJECTS UNDER \$100,000. PERSONAL OR BUSINESS CHECKS ARE NOT ACCEPCTABLE IN LIEU OF THE 5% BID BOND, PERFORMANCE BOND, OR LABOR AND MATERIAL BOND.</p> <p>() MAINTENANCE BOND: A TWO (2) YEAR MAINTENANCE BOND COVERING THE ROOFING SYSTEM WILL BE A REQUIREMENT OF</p> | | | | | | |

SEE REVERSE SIDE FOR TERMS AND CONDITIONS

| | | |
|-----------|-----------|------|
| SIGNATURE | TELEPHONE | DATE |
|-----------|-----------|------|

| | | |
|-------|------|-----------------------------------|
| TITLE | FEIN | ADDRESS CHANGES TO BE NOTED ABOVE |
|-------|------|-----------------------------------|

WHEN RESPONDING TO RFQ, INSERT NAME AND ADDRESS IN SPACE ABOVE LABELED 'VENDOR'



State of West Virginia
 Department of Administration
 Purchasing Division
 2019 Washington Street East
 Post Office Box 50130
 Charleston, WV 25305-0130

Request for Quotation

| |
|------------|
| RFQ NUMBER |
| DNR209116 |

| |
|------|
| PAGE |
| 4 |

| |
|--|
| ADDRESS CORRESPONDENCE TO ATTENTION OF |
| FRANK WHITTAKER |
| 304-558-2316 |

VENDOR

RFQ COPY
 TYPE NAME/ADDRESS HERE

SHIP TO

DIVISION OF NATURAL RESOURCES
 KANAWHA STATE FOREST
 ATTN: PARK SUPERINTENDENT
 ROUTE 2, BOX 285
 CHARLESTON, WV
 25314 304-346-5654

| DATE PRINTED | TERMS OF SALE | SHIP VIA | F.O.B. | FREIGHT TERMS |
|--------------|---------------|----------|--------|---------------|
| 04/23/2009 | | | | |

BID OPENING DATE: 05/26/2009 BID OPENING TIME 01:30PM

| LINE | QUANTITY | UOP | CAT NO. | ITEM NUMBER | UNIT PRICE | AMOUNT |
|---|----------|-----|---------|-------------|------------|--------|
| <p>THE SUCCESSFUL VENDOR.</p> <p>REV. 11/00</p> <p>EXHIBIT 7</p> <p>DOMESTIC ALUMINUM, GLASS & STEEL IN PUBLIC WORKS PROJECTS</p> <p>IN ACCORDANCE WITH WEST VIRGINIA CODE 5-19-1 ET., SEQ., EVERY CONTRACT FOR CONSTRUCTION, RECONSTRUCTION, ALTERATION, REPAIR, IMPROVEMENT OR MAINTENANCE OF PUBLIC WORKS, WHERE THE COST IS MORE THAN \$50,000 AND, IN THE CASE OF STEEL ONLY, WHERE THE COST OF STEEL IS MORE THAN \$50,000 OR WHERE MORE THAN 10,000 POUNDS OF STEEL ARE REQUIRED, THE STATE WILL ACCEPT ONLY ALUMINUM GLASS, OR STEEL PRODUCTS PRODUCED IN THE UNITED STATES IN ADDITION, ITEMS OF MACHINERY OR EQUIPMENT PURCHASED FOR USE AT THE SITE OF PUBLIC WORKS SHALL BE MADE OF DOMESTIC ALUMINUM, GLASS OR STEEL, UNLESS THE COST OF THE PRODUCT IS LESS THAN \$50,000 OR LESS THAN 10,000 POUNDS OF STEEL ARE USED IN PUBLIC WORKS PROJECTS.</p> <p>FOREIGN MADE ALUMINUM, GLASS OR STEEL PRODUCTS MAY BE ACCEPTED ONLY IF THE COST OF DOMESTIC PRODUCTS IS FOUND TO BE UNREASONABLE. SUCH COST IS UNREASONABLE IF IT IS 20% OR MORE HIGHER THAN THE BID PRICE FOR FOREIGN MADE PRODUCTS. IF THE DOMESTIC ALUMINUM, GLASS OR STEEL PRODUCTS TO BE SUPPLIED OR PRODUCED IN A "SUBSTANTIAL LABOR SURPLUS AREA", AS DEFINED BY THE UNITED STATES DEPARTMENT OF LABOR, FOREIGN PRODUCTS MAY BE SUPPLIED ONLY IF DOMESTIC PRODUCTS ARE 30% OR MORE HIGHER IN PRICE THAN THE FOREIGN MADE PRODUCTS.</p> <p>IF, PRIOR TO THE AWARD OF A CONTRACT UNDER THE ABOVE</p> | | | | | | |

SEE REVERSE SIDE FOR TERMS AND CONDITIONS

| | | |
|-----------|-----------|-----------------------------------|
| SIGNATURE | TELEPHONE | DATE |
| TITLE | FEIN | ADDRESS CHANGES TO BE NOTED ABOVE |

WHEN RESPONDING TO RFQ, INSERT NAME AND ADDRESS IN SPACE ABOVE LABELED 'VENDOR'



State of West Virginia
 Department of Administration
 Purchasing Division
 2019 Washington Street East
 Post Office Box 50130
 Charleston, WV 25305-0130

Request for Quotation

RFQ NUMBER
 DNR209116

PAGE
 5

ADDRESS CORRESPONDENCE TO ATTENTION OF
 FRANK WHITTAKER
 304-558-2316

VENDOR

RFQ COPY
 TYPE NAME/ADDRESS HERE

SHIP TO

DIVISION OF NATURAL RESOURCES
 KANAWHA STATE FOREST
 ATTN: PARK SUPERINTENDENT
 ROUTE 2, BOX 285
 CHARLESTON, WV
 25314 304-346-5654

| DATE PRINTED | TERMS OF SALE | SHIP VIA | F.O.B. | FREIGHT TERMS |
|--------------|---------------|----------|--------|---------------|
| 04/23/2009 | | | | |

BID OPENING DATE: 05/26/2009 BID OPENING TIME 01:30PM

| LINE | QUANTITY | UOP | CAT NO | ITEM NUMBER | UNIT PRICE | AMOUNT |
|---|----------|-----|--------|-------------|------------|--------|
| <p>PROVISIONS, THE SPENDING OFFICER OF THE SPENDING UNIT DETERMINES THAT THERE EXISTS A BID FOR LIKE FOREIGN ALUMINUM, GLASS OR STEEL THAT IS REASONABLE AND LOWER THAN THE LOWEST BID DOMESTIC PRODUCTS, THE SPENDING OFFICE MAY REQUEST, IN WRITING, A REEVALUATION AND REDUCTION IN THE LOWEST BID FOR SUCH DOMESTIC PRODUCTS ALL VENDORS MUST INDICATE IN THEIR BID IF THEY ARE SUPPLYING FOREIGN ALUMINUM, GLASS OR STEEL.</p> <p>REV. 3/88</p> <p>EXHIBIT 9</p> <p>NOTICE FOR ISSUANCE & ACKNOWLEDGEMENT OF CONSTRUCTION PROJECT ADDENDA</p> <p>THE ARCHITECT/ENGINEER AND/OR AGENCY SHALL BE REQUIRED TO ABIDE BY THE FOLLOWING SCHEDULE IN ISSUING CONSTRUCTION PROJECT ADDENDA FOR STATE AGENCIES:</p> <p>(1) THE ARCHITECT/ENGINEER SHALL PREPARE THE ADDENDUM AND A LIST OF ALL PARTIES THAT HAVE PROCURED DRAWINGS AND SPECIFICATIONS FOR THE PROJECT. THE ADDENDUM AND LIST SHALL BE FORWARDED TO THE BUYER IN THE STATE PURCHASING DIVISION. THE ARCHITECT/ENGINEER SHALL ALSO SEND A COPY OF THE ADDENDUM TO THE STATE AGENCY FOR WHICH THE CONTRACT IS ISSUED.</p> <p>(2) THE BUYER SHALL SEND THE ADDENDUM TO ALL INTERESTED PARTIES AND, IF NECESSARY, EXTEND THE BID OPENING DATE. ANY ADDENDUM SHOULD BE RECEIVED BY THE BUYER WITHIN FOURTEEN (14) DAYS PRIOR TO THE BID OPENING DATE.</p> <p>(3) ALL ADDENDA SHOULD BE FORMALLY ACKNOWLEDGED BY AL.</p> | | | | | | |

SEE REVERSE SIDE FOR TERMS AND CONDITIONS

| | | |
|-----------|-----------|------|
| SIGNATURE | TELEPHONE | DATE |
|-----------|-----------|------|

| | | |
|-------|------|-----------------------------------|
| TITLE | FEIN | ADDRESS CHANGES TO BE NOTED ABOVE |
|-------|------|-----------------------------------|

WHEN RESPONDING TO RFQ, INSERT NAME AND ADDRESS IN SPACE ABOVE LABELED 'VENDOR'



State of West Virginia
 Department of Administration
 Purchasing Division
 2019 Washington Street East
 Post Office Box 50130
 Charleston, WV 25305-0130

Request for Quotation

RFQ NUMBER
 DNR209116

PAGE
 6

ADDRESS CORRESPONDENCE TO ATTENTION OF
 FRANK WHITTAKER
 304-558-2316

VENDOR

RFQ COPY
 TYPE NAME/ADDRESS HERE

SHIP TO

DIVISION OF NATURAL RESOURCES
 KANAWHA STATE FOREST
 ATTN: PARK SUPERINTENDENT
 ROUTE 2, BOX 285
 CHARLESTON, WV
 25314 304-346-5654

| DATE PRINTED | TERMS OF SALE | SHIP VIA | F.O.B. | FREIGHT TERMS |
|--------------|---------------|----------|--------|---------------|
| 04/23/2009 | | | | |

BID OPENING DATE: 05/26/2009 BID OPENING TIME 01:30PM

| LINE | QUANTITY | UOP | CAT NO | ITEM NUMBER | UNIT PRICE | AMOUNT |
|---|----------|-----|--------|-------------|------------|--------|
| <p>BIDDERS AND SUBMITTED TO THE STATE PURCHASING DIVISION. THE SAME RULES AND REGULATIONS THAT APPLY TO THE ORIGINAL BIDDING DOCUMENT SHALL ALSO APPLY TO AN ADDENDUM DOCUMENT. THE ONLY EXCEPTION MAY BE FOR AN ADDENDUM THAT IS ISSUED FOR THE SOLE PURPOSE OF CHANGING A BID OPENING TIME AND/OR DATE.</p> <p>REV. 11/96</p> <p>EXHIBIT 10</p> <p>ADDENDUM ACKNOWLEDGEMENT</p> <p>I HEREBY ACKNOWLEDGE RECEIPT OF THE FOLLOWING CHECKED ADDENDUM(S) AND HAVE MADE THE NECESSARY REVISIONS TO MY PROPOSAL, PLANS AND/OR SPECIFICATION, ETC.</p> <p>ADDENDUM NOS. :</p> <p>NO. 1</p> <p>NO. 2</p> <p>NO. 3</p> <p>NO. 4</p> <p>NO. 5</p> <p>I UNDERSTAND THAT FAILURE TO CONFIRM THE RECEIPT OF THE ADDENDUM(S) MAY BE CAUSE FOR REJECTION OF THE BIDS.</p> <p>VENDOR MUST CLEARLY UNDERSTAND THAT ANY VERBAL REPRESENTATION MADE OR ASSUMED TO BE MADE DURING ANY</p> | | | | | | |

SEE REVERSE SIDE FOR TERMS AND CONDITIONS

| | | |
|-----------|-----------|------|
| SIGNATURE | TELEPHONE | DATE |
|-----------|-----------|------|

| | | |
|-------|------|-----------------------------------|
| TITLE | FEIN | ADDRESS CHANGES TO BE NOTED ABOVE |
|-------|------|-----------------------------------|

WHEN RESPONDING TO RFQ, INSERT NAME AND ADDRESS IN SPACE ABOVE LABELED 'VENDOR'



State of West Virginia
 Department of Administration
 Purchasing Division
 2019 Washington Street East
 Post Office Box 50130
 Charleston, WV 25305-0130

Request for Quotation

| |
|------------|
| RFQ NUMBER |
| DNR209116 |

| |
|------|
| PAGE |
| 7 |

| |
|--|
| ADDRESS CORRESPONDENCE TO ATTENTION OF |
| FRANK WHITTAKER 304-558-2316 |

VENDOR

RFQ COPY
 TYPE NAME/ADDRESS HERE

SHIP TO

DIVISION OF NATURAL RESOURCES
 KANAWHA STATE FOREST
 ATTN: PARK SUPERINTENDENT
 ROUTE 2, BOX 285
 CHARLESTON, WV 25314
 304-346-5654

| DATE PRINTED | TERMS OF SALE | SHIP VIA | F.O.B. | FREIGHT TERMS |
|--------------|---------------|----------|--------|---------------|
| 04/23/2009 | | | | |

BID OPENING DATE: 05/26/2009 BID OPENING TIME: 01:30PM

| LINE | QUANTITY | UOP | CAT. NO. | ITEM NUMBER | UNIT PRICE | AMOUNT |
|---|----------|-----|----------|-------------|------------|--------|
| <p>ORAL DISCUSSION HELD BETWEEN VENDOR'S REPRESENTATIVES AND ANY STATE PERSONNEL IS NOT BINDING. ONLY THE INFORMATION ISSUED IN WRITING AND ADDED TO THE SPECIFICATIONS BY AN OFFICIAL ADDENDUM IS BINDING.</p> <p>.....SIGNATURE</p> <p>.....COMPANY</p> <p>.....DATE</p> <p>REV. 11/96</p> <p>CONTRACTORS LICENSE</p> <p>WEST VIRGINIA STATE CODE 21-11-2 REQUIRES THAT ALL PERSONS DESIRING TO PERFORM CONTRACTING WORK IN THIS STATE MUST BE LICENSED. THE WEST VIRGINIA CONTRACTORS LICENSING BOARD IS EMPOWERED TO ISSUE THE CONTRACTORS LICENSE. APPLICATIONS FOR A CONTRACTORS LICENSE MAY BE MADE BY CONTACTING THE WEST VIRGINIA DIVISION OF LABOR CAPITOL COMPLEX, BUILDING 3, ROOM 319, CHARLESTON, WV 25305. TELEPHONE: (304) 558-7890.</p> <p>WEST VIRGINIA STATE CODE 21-11-11 REQUIRES ANY PROSPECTIVE BIDDER TO INCLUDE THE CONTRACTORS LICENSE NUMBER ON THEIR BID.</p> <p>BIDDER TO COMPLETE:</p> <p>CONTRACTORS NAME:</p> <p>CONTRACTORS LICENSE NO.:</p> | | | | | | |

| | | |
|---|-----------|-----------------------------------|
| SEE REVERSE SIDE FOR TERMS AND CONDITIONS | | |
| SIGNATURE | TELEPHONE | DATE |
| TITLE | FEIN | ADDRESS CHANGES TO BE NOTED ABOVE |

WHEN RESPONDING TO RFQ, INSERT NAME AND ADDRESS IN SPACE ABOVE LABELED 'VENDOR'



State of West Virginia
 Department of Administration
 Purchasing Division
 2019 Washington Street East
 Post Office Box 50130
 Charleston, WV 25305-0130

Request for Quotation

| |
|------------|
| RFQ NUMBER |
| DNR209116 |

| |
|------|
| PAGE |
| 8 |

| |
|--|
| ADDRESS CORRESPONDENCE TO ATTENTION OF |
| FRANK WHITTAKER 304-558-2316 |

VENDOR

RFQ COPY
 TYPE NAME/ADDRESS HERE

SHIP TO

DIVISION OF NATURAL RESOURCES
 KANAWHA STATE FOREST
 ATTN: PARK SUPERINTENDENT
 ROUTE 2, BOX 285
 CHARLESTON, WV
 25314 304-346-5654

| | | | | |
|--------------|---------------|----------|--------|---------------|
| DATE PRINTED | TERMS OF SALE | SHIP VIA | F.O.B. | FREIGHT TERMS |
| 04/23/2009 | | | | |

BID OPENING DATE: 05/26/2009 BID OPENING TIME 01:30PM

| LINE | QUANTITY | UOP | CAT NO | ITEM NUMBER | UNIT PRICE | AMOUNT |
|---|----------|-----|--------|-------------|------------|--------|
| <p>THE SUCCESSFUL BIDDER WILL BE REQUIRED TO FURNISH A COPY OF THEIR CONTRACTORS LICENSE PRIOR TO ISSUANCE OF A PURCHASE ORDER/CONTRACT</p> <p style="text-align: center;">APPLICABLE LAW</p> <p>THE WEST VIRGINIA STATE CODE, PURCHASING DIVISION RULES AND REGULATIONS, AND THE INFORMATION PROVIDED IN THE "REQUEST FOR QUOTATION" ISSUED BY THE PURCHASING DIVISION IS THE SOLE AUTHORITY GOVERNING THIS PROCUREMENT.</p> <p>ANY INFORMATION PROVIDED IN SPECIFICATION MANUALS, OR ANY OTHER SOURCE, VERBAL OR WRITTEN, WHICH CONTRADICTS OR ALTERS THE INFORMATION PROVIDED FROM THE SOURCES AS DESCRIBED IN THE ABOVE PARAGRAPH IS VOID AND OF NO EFFECT.</p> <p>BANKRUPTCY: IN THE EVENT THE VENDOR/CONTRACTOR FILES FOR BANKRUPTCY PROTECTION, THIS CONTRACT IS AUTOMATICALLY NULL AND VOID, AND IS TERMINATED WITHOUT FURTHER ORDER.</p> <p>REV. 1/2005</p> <p style="text-align: center;">NOTICE</p> <p>A SIGNED BID MUST BE SUBMITTED TO:</p> <p style="text-align: center;">DEPARTMENT OF ADMINISTRATION PURCHASING DIVISION BUILDING 15 2019 WASHINGTON STREET, EAST CHARLESTON, WV 25305-0130</p> | | | | | | |

| | | | |
|---|-----------|-----------------------------------|--|
| SEE REVERSE SIDE FOR TERMS AND CONDITIONS | | | |
| SIGNATURE | TELEPHONE | DATE | |
| TITLE | FEIN | ADDRESS CHANGES TO BE NOTED ABOVE | |

WHEN RESPONDING TO RFQ, INSERT NAME AND ADDRESS IN SPACE ABOVE LABELED 'VENDOR'



State of West Virginia
 Department of Administration
 Purchasing Division
 2019 Washington Street East
 Post Office Box 50130
 Charleston, WV 25305-0130

Request for Quotation

| |
|------------|
| RFQ NUMBER |
| DNR209116 |

| |
|------|
| PAGE |
| 9 |

| |
|--|
| ADDRESS CORRESPONDENCE TO ATTENTION OF |
| FRANK WHITTAKER 304-558-2316 |

VENDOR

RFQ COPY
 TYPE NAME/ADDRESS HERE

SHIP TO

DIVISION OF NATURAL RESOURCES
 KANAWHA STATE FOREST
 ATTN: PARK SUPERINTENDENT
 ROUTE 2, BOX 285
 CHARLESTON, WV
 25314 304-346-5654

| DATE PRINTED | TERMS OF SALE | SHIP VIA | F.O.B | FREIGHT TERMS |
|--------------|---------------|----------|-------|---------------|
| 04/23/2009 | | | | |

BID OPENING DATE: 05/26/2009 BID OPENING TIME 01:30PM

| LINE | QUANTITY | UOP | CAT NO | ITEM NUMBER | UNIT PRICE | AMOUNT |
|--|----------|-----|--------|-------------|------------|--------|
| THE BID SHOULD CONTAIN THIS INFORMATION ON THE FACE OF THE ENVELOPE OR THE BID MAY NOT BE CONSIDERED: SEALED BID BUYER: 44 REQ. NO.: DNR209116 BID OPENING DATE: 05/26/09 BID OPENING TIME: 1:30 PM PLEASE PROVIDE A FAX NUMBER IN CASE IT IS NECESSARY TO CONTACT YOU REGARDING YOUR BID: ----- PLEASE PRINT OR TYPE NAME OF PERSON TO CONTACT CONCERNING THIS QUOTE: ----- ***** THIS IS THE END OF RFQ DNR209116 ***** TOTAL: _____ | | | | | | |

| | | |
|---|-----------|-----------------------------------|
| SEE REVERSE SIDE FOR TERMS AND CONDITIONS | | |
| SIGNATURE | TELEPHONE | DATE |
| TITLE | FEIN | ADDRESS CHANGES TO BE NOTED ABOVE |

WHEN RESPONDING TO RFQ, INSERT NAME AND ADDRESS IN SPACE ABOVE LABELED 'VENDOR'

Kanawha State Forest Playground Specifications

To supply and install playground equipment to offer play activities for children ages two (2) to twelve (12) at Kanawha State Forest, West Virginia. Playground equipment will be purchased for eleven (11) separate areas in the park. The award may be split if it is in the best interest of the West Virginia Division of Natural Resources.

AREA 1 - DAM PLAYGROUND

PrimeTime swing, Item #12583, or equal. Top rail and arch must have a minimum 3 ½ inch OD; arch must be a minimum of 11 gauge galvanized steel tubing; must include a minimum of 3 ½ inch OD galvanized steel sleeve; must be polyester powder coat; must be a minimum of 8 foot high with finished surface; must have a minimum of a 12 foot top rail; and must accommodate two (2) free standing swings.

PrimeTime swing belt seat package 3 ½" OD, item #8910, or equal. Package must include all hardware necessary to attach to a minimum of a 3 ½ inch top rail.

PrimeTime swing add-a-bay, Item #12584, or equal. Top rail and arch must have a minimum 3 ½ inch OD; arch must be a minimum of 11 gauge galvanized steel tubing; must include a minimum of 3 ½ inch OD galvanized steel sleeve; must be polyester powder coat; must be a minimum of 8 foot high with a finished surface; must have a minimum of a 12 foot top rail; and must accommodate two (2) free standing swings.

PrimeTime tot seat package 3 ½" OD, Item #8696, or equal. Package must include all hardware necessary to attach seat to a minimum of a 3 ½ inch top rail.

GameTime freestanding wave zip slide, Item #18395, or equal. Slide must be free standing; platform height must be a minimum of 6 foot; and must be double walled with one piece color impregnated polyethylene.

GameTime tuffclad 6' bench with back in-ground (PS), Item #28009, or equal. Bench must have a minimum of 2 3/8 inch OD galvanized powder coat; and seat bench and back must have punched steel with a plastic coating.

GameTime dome climber, Item #655, or equal. Climber must be a minimum of 8 feet in diameter and a minimum of 4 feet in height; and must have a minimum of 1 inch OD galvanized pipe; and have a minimum 11 gauge powder coat.

Installation of all the above referenced items for the Area 1 – Dam Playground. Prevailing heavy wage rates must be paid for Kanawha County, West Virginia (<http://www.wvsos.com/adlaw/wagerates/heavyhighway/heavyhighway09/allhh.pdf>.) Installation must be complete within ninety (90) days of purchase order award.

Kanawha State Forest Playground Specifications

AREA 2 - RATTLESNAKE PLAYGROUND

GameTime parcours fitcenter, Item #13200, or equal. Fitcenter must include the following components:

- **Sign Frame** – Must be an all-welded construction with a minimum of 1-11/16 inch OD formed frame and a minimum of 3/16 inch x2 H.R. flat steel tabs and braces; must be fabricated of a minimum of 1/8 inch thick polycarbonate and sign frame assembly must have a powder coat finish.
- **Achilles/Trunk Stretch** – Must be fabricated of a minimum of a 3-1/2 inch OD (13 gauge) galvanized pipe with cast aluminum cap and self sealing pop rivet; and upright must have a powder coat finish.
- **Sit and Reach** – Bench leg must be made of a minimum of 1-7/8 inch OD galvanized pipe. Bench assembly must be fabricated of punched steel metal with a plastic coating; and bench legs must have a powder coat finish.
- **Leg Stretch** – Must be an all-welded construction fabricated of a minimum of a 3-1/2 inch OD (13 gauge) galvanized pipe and a minimum of 2-7/8 inch OD standard galvanized pipe; assembly must include cast aluminum caps; and tee assemblies must have a powder coat finish.
- **Stretch Bar** – Support legs must be made of a minimum of 2-3/8 inch OD standard galvanized tube; stretch bar rail assembly must be an all-welded construction fabricated of a minimum of a 3-1/2 inch OD (13 gauge) galvanized pipe; must have a minimum of a 2-7/8 inch OD standard galvanized pipe sockets; have a minimum of 3/16 inch x 3-1/2 inch H.R. flat steel formed plates; assembly must also include cast aluminum caps; and support legs and stretch bar assembly must have a powder coat finish.
- **Vault Bar** – Support legs must be made of a minimum of 2-3/8 inch OD standard galvanized pipe.; vault bar rail assembly must be an all-welded construction fabricated of a minimum of a 3-1/2 inch OD (13 gauge) galvanized pipe; a minimum of 2-7/8 inch OD standard galvanized pipe sockets; a minimum of 3/16 inch x 3-1/2 inch H.R. flat steel formed plates; assembly must also include cast aluminum caps; and support legs and vault bar rail assembly must all have a powder coat finish.
- **Sit-Up Bench** – Bench leg must be made of a minimum of 1-7/8 inch OD galvanized pipe; bench assembly must be fabricated of punched steel metal with a plastic coating; foot rail assembly must be an all-welded construction fabricated of a minimum of 3-1/2 inch OD (13 Gauge) galvanized pipe, a minimum of 1-5/16 inch OD galvanized pipe, and a

Kanawha State Forest Playground Specifications

minimum of 3/16 inch x 3 inch H.R. flat steel; final assembly must also include cast aluminum caps; and bench legs and foot rail assembly must all have a powder coat finish.

- **Push-Up** – Uprights must be fabricated of a minimum of 3-1/2 inch OD (13 gauge) galvanized pipe, cast aluminum cap and 3/8 inch inserts; rung assembly must be an all-welded construction fabricated of a minimum of 1-5/16 inch OD galvanized pipe and a minimum of 3/16 inch x 1-3/4 inch C.R. steel mounting plates; and uprights and rung assembly must all have a powder coat finish.
- **Chin-Up** – Uprights must be fabricated of a minimum of 3-1/2 inch OD (13 Gauge) galvanized pipe and have cast aluminum caps; rung assembly must be an all welded construction fabricated of a minimum of 1-5/16 inch OD galvanized pipe and a minimum of 3/16 inch x 1-3/4 inch C.R. steel mounting plates; uprights and rung assembly must all have a powder coat finish.
- **Knee Lift** – Must be an all-welded construction fabricated of a minimum of 3-1/2 inch OD (13 gauge) galvanized pipe and formed a minimum of 1-5/16 inch OD galvanized pipe climber loops; assembly must also consist of a cast aluminum cap and have a powder coat finish.
- **Body Curl** – Leg assemblies must be an all-welded construction of fabricated standard galvanized pipe, a minimum of 3/16inch x 6 inch H.R. flat steel formed plate, and flat steel gusset a minimum of 3/16 inch x 1-1/2 inch H.R.; bench assembly must be fabricated of punched steel metal with a plastic coating; handrail assembly must be an all-welded construction fabricated of a minimum of 1-5/16 inch OD galvanized formed handrail, a minimum of 3/16inch x 3inch H.R. flat steel handrail plate, and galvanized pipe cap; leg and handrail assemblies must all have a powder coat finish.
- **Log Hop** – Log hop assembly must be an all-welded construction fabricated of a minimum of 3-1/2 inch OD (13 gauge) galvanized pipe and a minimum of 2-7/8 inch OD standard galvanized pipe; and assembly must also consist of a cast aluminum cap and have a powder coat finish.
- **Bench Dip** – Bench Leg must be made of a minimum of 1-7/8 inch OD galvanized pipe; bench assembly must be fabricated of punched steel metal with plastic coating; handrail assembly must be an all-welded construction fabricated of a minimum of 1-5/16 inch OD galvanized pipe, a minimum of 3/16 inch x 3 inch H.R. flat steel and galvanized pipe caps; and bench legs and handrail assemblies must all have a powder coat finish.
- **Bench Curl** – Bench leg must be made of a minimum of 1-7/8 inch OD galvanized pipe; bench assembly must be fabricated of punched steel metal with a plastic coating;

Kanawha State Forest Playground Specifications

footrest assembly must be an all-welded construction fabricated of a minimum of 3-1/2 inch OD (13 gauge) galvanized pipe, a minimum of 1-5/16 inch OD galvanized pipe and a minimum of 3/16 inch x 3 inch H.R. flat steel; and final assembly must have aluminum caps and a powder coat finish.

GameTime deluxe volleyball net and permanent volleyball posts, Item #739, or equal. Posts must be a minimum of 2 5/8 inch OD galvanized pipe a minimum of 10 feet in length and 2 7/8 inch OD galvanized socket a minimum of 2 feet in length.

Installation of all the above referenced items for the Area 2- Rattlesnake Playground. Prevailing heavy wage rates must be paid for Kanawha County, West Virginia

(<http://www.wvsos.com/adlaw/wagerates/heavyhighway/heavyhighway09/allhh.pdf>.)

Installation must be complete within ninety (90) days of purchase order award.

AREA 3 - UPPER PINES PLAYGROUND

PrimeTime swing, Item #12583, or equal. Top rail and arch must have a minimum 3 ½ inch OD; arch must be a minimum of 11 gauge galvanized steel tubing; must include a minimum of 3 ½ inch OD galvanized steel sleeve; must be polyester powder coat; must be a minimum of 8 foot high with finished surface; must have a minimum of a 12 foot top rail; and must accommodate two (2) free standing swings.

PrimeTime swing belt seat package 3 ½" OD, item #8910, or equal. Package must include all hardware necessary to attach to a minimum of a 3 ½ inch top rail.

PrimeTime swing add-a-bay, Item #12584, or equal. Top rail and arch must have a minimum 3 ½ inch OD; arch must be a minimum of 11 gauge galvanized steel tubing; must include a minimum of 3 ½ inch OD galvanized steel sleeve; must be polyester powder coat; must be a minimum of 8 foot high with a finished surface; must have a minimum of a 12 foot top rail; and must accommodate two (2) free standing swings.

PrimeTime tot seat package 3 ½" OD, Item #8696, or equal. Package must include all hardware necessary to attach seat to a minimum of a 3 ½ inch top rail.

GameTime tuffclad 6' bench with back in-ground (PS), Item #28009, or equal. Bench must have a minimum of 2 3/8 inch OD galvanized powder coat; and seat bench and back must have punched steel with a plastic coating.

Kanawha State Forest Playground Specifications

GameTime freestanding wave zip slide, Item #18395, or equal. Slide must be free standing; platform height must be a minimum of 6 foot; and must be double walled with one piece color impregnated polyethylene.

GameTime cantilevered post with 48" extension, Item #460, or equal. Post must be a minimum of 4 ½ inch in OD galvanized pipe bent to have a minimum of 4 feet; and the extension length of post must be a minimum of 14 feet; and bolt place a minimum of ¼ inch.

GameTime aluminum backgard, Item #854, or equal, Item #460, or equal. Backgard must be a minimum of 3/16 inch aluminum cast one piece.

GameTime super goal with steel net, Item #423, or equal. Net must be a minimum of 5/8 inch diameter steel; a minimum of 18 inch double ring with a minimum of 13 gauge galvanized chain; and a minimum of 9 gauge galvanized inch S: hooks to attach hoop and net.

GameTime buck-a-bolt cool spring, Item #200, or equal. Spring must be a minimum of 2 7/8 inch OD galvanized frame; a minimum of ¼ inch galvanized plate; and a minimum of ½ inch steel springs.

GameTime aluminum saddle seat, Item #2313, or equal. Saddle seat must attach to buck-a-bout.

GameTime space arch, item #6510, or equal. Arch must have a minimum of 1 7/8 inch OD galvanized frame; have a minimum of 1 1/16 inch OD rungs welded at a minimum of 6 feet 5 inches in height.

Installation of all the above referenced items for the Area 3 – Upper Pines Playground. Prevailing heavy wage rates must be paid for Kanawha County, West Virginia (<http://www.wvsos.com/adlaw/wagerates/heavyhighway/heavyhighway09/allhh.pdf>.) Installation must be complete within ninety (90) days of purchase order award.

AREA 4 SWIMMING POOL PLAYGROUND

PrimeTime swing, Item #12583, or equal. Top rail and arch must have a minimum 3 ½ inch OD; arch must be a minimum of 11 gauge galvanized steel tubing; must include a minimum of 3 ½ inch OD galvanized steel sleeve; must be polyester powder coat; must be a minimum of 8 foot high with finished surface; must have a minimum of a 12 foot top rail; and must accommodate two (2) free standing swings.

PrimeTime swing belt seat package 3 ½" OD, item #8910, or equal. Package must include all hardware necessary to attach to a minimum of a 3 ½ inch top rail.

Kanawha State Forest Playground Specifications

PrimeTime swing add-a-bay, Item #12584, or equal. Top rail and arch must have a minimum 3 ½ inch OD; arch must be a minimum of 11 gauge galvanized steel tubing; must include a minimum of 3 ½ inch OD galvanized steel sleeve; must be polyester powder coat; must be a minimum of 8 foot high with a finished surface; must have a minimum of a 12 foot top rail; and must accommodate two (2) free standing swings.

PrimeTime tot seat package 3 ½" OD, Item #8696, or equal. Package must include all hardware necessary to attach seat to a minimum of a 3 ½ inch top rail.

GameTime FS spiral slide, Item #81733, or equal. Slide be freestanding; must be a minimum of 6 foot in height; must have a minimum of 3 ½ inch powder coated galvanized steel upright; must have double wall construction; and must have polyethylene color impregnated.

GameTime rumble and roll zip slide, Item #18389, or equal. Slide must have double wall construction and must have polyethylene color impregnated.

GameTime wave climber, Item #12735, or equal. Climber must have double wall construction and must have polyethylene color impregnated.

GameTime access attachment, Item # 18273, or equal. Attachment must be constructed of punch steel with a polyethylene coat.

GameTime transfer point, Item #18254, or equal. Transfer point must be constructed of punch steel with a polyethylene coat.

GameTime crunch bar, Item # 13540, or equal. Bar must be constructed of powder coated galvanized metal.

GameTime clover leaf climber, Item #12811, or equal. Climber must be constructed of a powder coat galvanized steel pipe frame with a punched steel deck with plastic coating.

GameTime 3 ½ inch upright, Model # 12024, or equal. Upright must be a minimum of 3 ½ inch OD galvanized and must have a powder coat.

GameTime rectangle deck, Model #18202, or equal. Deck must be punched steel and have a plastic coat.

GameTime tuffclad 6' bench with back in-ground (PS), Item #28009, or equal. Bench must have a minimum of 2 3/8 inch OD galvanized powder coat; and seat bench and back must have punched steel with a plastic coating.

Kanawha State Forest Playground Specifications

GameTime dome climber, Item#655, or equal. Climber must be a minimum of 8 feet in diameter and a minimum of 4 feet in height; and must have a minimum of 1 inch OD galvanized pipe; and have a minimum 11 gauge powder coat.

Installation of all the above referenced items for the Area 4 – Swimming Pool Playground. Prevailing heavy wage rates must be paid for Kanawha County, West Virginia (<http://www.wvsos.com/adlaw/wagerates/heavyhighway/heavyhighway09/allhh.pdf>.) Installation must be complete within ninety (90) days of purchase order award.

AREA 6 - DUNLOP HOLLOW PLAYGROUND

PrimeTime swing, Item #12583, or equal. Top rail and arch must have a minimum 3 ½ inch OD; arch must be a minimum of 11 gauge galvanized steel tubing; must include a minimum of 3 ½ inch OD galvanized steel sleeve; must be polyester powder coat; must be a minimum of 8 foot high with finished surface; must have a minimum of a 12 foot top rail; and must accommodate two (2) free standing swings.

PrimeTime swing belt seat package 3 ½" OD, item #8910, or equal. Package must include all hardware necessary to attach to a minimum of a 3 ½ inch top rail.

PrimeTime swing add-a-bay, Item #12584, or equal. Top rail and arch must have a minimum 3 ½ inch OD; arch must be a minimum of 11 gauge galvanized steel tubing; must include a minimum of 3 ½ inch OD galvanized steel sleeve; must be polyester powder coat; must be a minimum of 8 foot high with a finished surface; must have a minimum of a 12 foot top rail; and must accommodate two (2) free standing swings.

PrimeTime tot seat package 3 ½" OD, Item #8696, or equal. Package must include all hardware necessary to attach seat to a minimum of a 3 ½ inch top rail.

GameTime freestanding wave zip slide, Item #18395, or equal. Slide must be free standing; platform height must be a minimum of 6 foot; and must be double walled with one piece color impregnated polyethylene.

GameTime deluxe volleyball net and permanent volleyball posts, Item #739, or equal. Posts must be a minimum of 2 5/8inch OD galvanized pipe a minimum of 10 feet in length and 2 7/8inch OD galvanized socket a minimum of 2 feet in length.

GameTime tuffclad 6' bench with back in-ground (PS), Item #28009, or equal. Bench must have a minimum of 2 3/8 inch OD galvanized powder coat; and seat bench and back must have punched steel with a plastic coating.

Kanawha State Forest Playground Specifications

GameTime space arch, item #6510, or equal. Arch must have a minimum of 1 7/8 inch OD galvanized frame; have a minimum of 1 1/16 inch OD rungs welded at a minimum of 6 feet 5 inches in height.

Installation of all the above referenced items for the Area 6 – Dunlop Hollow Playground. Prevailing heavy wage rates must be paid for Kanawha County, West Virginia (<http://www.wvsos.com/adlaw/wagerates/heavyhighway/heavyhighway09/allhh.pdf>) Installation must be complete within ninety (90) days of purchase order award.

AREA 7 - UPPER CAMPGROUND PLAYGROUND

PrimeTime swing, Item #12583, or equal. Top rail and arch must have a minimum 3 ½ inch OD; arch must be a minimum of 11 gauge galvanized steel tubing; must include a minimum of 3 ½ inch OD galvanized steel sleeve; must be polyester powder coat; must be a minimum of 8 foot high with finished surface; must have a minimum of a 12 foot top rail; and must accommodate two (2) free standing swings.

PrimeTime swing belt seat package 3 ½" OD, item #8910, or equal. Package must include all hardware necessary to attach to a minimum of a 3 ½ inch top rail.

PrimeTime swing add-a-bay, Item #12584, or equal. Top rail and arch must have a minimum 3 ½ inch OD; arch must be a minimum of 11 gauge galvanized steel tubing; must include a minimum of 3 ½ inch OD galvanized steel sleeve; must be polyester powder coat; must be a minimum of 8 foot high with a finished surface; must have a minimum of a 12 foot top rail; and must accommodate two (2) free standing swings.

PrimeTime tot seat package 3 ½" OD, Item #8696, or equal. Package must include all hardware necessary to attach seat to a minimum of a 3 ½ inch top rail.

GameTime tuffclad 6' bench with back in-ground (PS), Item #28009, or equal. Bench must have a minimum of 2 3/8 inch OD galvanized powder coat; and seat bench and back must have punched steel with a plastic coating.

GameTime freestanding wave zip slide, Item #18395, or equal. Slide must be free standing; platform height must be a minimum of 6 foot; and must be double walled with one piece color impregnated polyethylene.

GameTime dome climber, Item#655, or equal. Climber must be a minimum of 8 feet in diameter and a minimum of 4 feet in height; and must have a minimum of 1 inch OD galvanized pipe; and have a minimum 11 gauge powder coat.

Kanawha State Forest Playground Specifications

Installation of all the above referenced items for the Area 7 – Upper Campground Playground. Prevailing heavy wage rates must be paid for Kanawha County, West Virginia. (<http://www.wvsos.com/adlaw/wagerates/heavyhighway/heavyhighway09/allhh.pdf>.) Installation must be complete within ninety (90) days of purchase order award.

AREA 8 - LOWER CAMPGROUND PLAYGROUND

GameTime 3 1/2 inch upright, Model # 12024, or equal. Upright must be a minimum of 3 1/2 inch OD galvanized and must have a powder coat.

GameTime rectangle deck, Model #18202, or equal. Deck must be punched steel and must have a plastic coat.

GameTime rumble and roll zip slide, Item #18389, or equal. Slide must have double wall construction and must have polyethylene color impregnated.

GameTime wave climber, Item # 12735, or equal. Climber must have double wall construction and must have polyethylene color impregnated.

GameTime access attachment, Item # 18273, or equal. Attachment must be constructed of punch steel with a polyethylene coat.

GameTime transfer point, Item #18254, or equal. Transfer point must be constructed of punch steel with a polyethylene coat.

GameTime Crunch bar, Item # 13540, or equal. Bar must be constructed of powder coated galvanized metal.

GameTime clover leaf climber, Item #12811, or equal. Climber must be constructed of a powder coat galvanized steel pipe frame with a punched steel deck with plastic coating.

GameTime tuffclad 6' bench with back in-ground (PS), Item #28009, or equal. Bench must have a minimum of 2 3/8 inch OD galvanized powder coat; and seat bench and back must have punched steel with a plastic coating.

Installation of all the above referenced items for the Area 8 – Lower Campground Playground. Prevailing heavy wage rates must be paid for Kanawha County, West Virginia. (<http://www.wvsos.com/adlaw/wagerates/heavyhighway/heavyhighway09/allhh.pdf>.) Installation must be complete within ninety (90) days of purchase order award.

Kanawha State Forest Playground Specifications

AREA 9 - SHELTERS 3 & 4 PLAYGROUND

PrimeTime swing, Item #12583, or equal. Top rail and arch must have a minimum 3 ½ inch OD; arch must be a minimum of 11 gauge galvanized steel tubing; must include a minimum of 3 ½ inch OD galvanized steel sleeve; must be polyester powder coat; must be a minimum of 8 foot high with finished surface; must have a minimum of a 12 foot top rail; and must accommodate two (2) free standing swings.

PrimeTime swing belt seat package 3 ½" OD, item #8910, or equal. Package must include all hardware necessary to attach to a minimum of a 3 ½ inch top rail.

PrimeTime swing add-a-bay, Item #12584, or equal. Top rail and arch must have a minimum 3 ½ inch OD; arch must be a minimum of 11 gauge galvanized steel tubing; must include a minimum of 3 ½ inch OD galvanized steel sleeve; must be polyester powder coat; must be a minimum of 8 foot high with a finished surface; must have a minimum of a 12 foot top rail; and must accommodate two (2) free standing swings.

PrimeTime tot seat package 3 ½" OD, Item #8696, or equal. Package must include all hardware necessary to attach seat to a minimum of a 3 ½ inch top rail.

GameTime freestanding wave zip slide, Item #18395, or equal. Slide must be free standing; platform height must be a minimum of 6 foot; and must be double walled with one piece color impregnated polyethylene.

GameTime painted rainbow climber, Item #P910, or equal. Climber must be a minimum of 1 7/8 inch OD galvanized powder coat and must be a minimum of 6 foot inch in height.

GameTime tuffclad 6' bench with back in-ground (PS), Item #28009, or equal. Bench must have a minimum of 2 3/8 inch OD galvanized powder coat; and seat bench and back must have punched steel with a plastic coating.

Installation of all the above referenced items for the Area 9 – Shelters 3 & 4 Playground. Prevailing heavy wage rates must be paid for Kanawha County, West Virginia. (<http://www.wvsos.com/adlaw/wagerates/heavyhighway/heavyhighway09/allhh.pdf>.) Installation must be complete within ninety (90) days of purchase order award.

AREA 9 - BETWEEN SHELTERS 3&4 AND 5, 6 & 7 PLAYGROUND

GameTime 3 1/2 inch upright, Model # 12024, or equal. Upright must be a minimum of 3 ½ inches OD galvanized and must have a powder coat.

Kanawha State Forest Playground Specifications

GameTime rectangle deck, Model #18202, or equal. Deck must be punched steel and have a plastic coat.

GameTime rumble and roll zip slide, Item #18389, or equal. Slide must have double wall construction and must have polyethylene color impregnated.

GameTime wave climber, Item # 12735, or equal. Climber must have double wall construction and must have polyethylene color impregnated.

GameTime access attachment, Item # 18273, or equal. Attachment must be constructed of punch steel with a polyethylene coat.

GameTime transfer point, Item #18254, or equal. Transfer point must be constructed of punch steel with a polyethylene coat.

GameTime crunch bar, Item #13540, or equal. Bar must be constructed of powder coated galvanized metal.

GameTime clover leaf climber, Item #12811, or equal. Climber must be constructed of a powder coat galvanized steel pipe frame with a punched steel deck with plastic coating.

GameTime tuffclad 6' bench with back in-ground (PS), Item #28009, or equal. Bench must have a minimum of 2 3/8 inch OD galvanized powder coat; and seat bench and back must have punched steel with a plastic coating.

Installation of all the above referenced items for the Area 9 – Between Shelters 3&4 and 5, 6 & 7 Playground. Prevailing heavy wage rates must be paid for Kanawha County, West Virginia. (<http://www.wvsos.com/adlaw/wagerates/heavyhighway/heavyhighway09/allhh.pdf>.) Installation must be complete within ninety (90) days of purchase order award.

AREA 10 - (VOLLEYBALL) SHELTERS 5, 6 & 7 PLAYGROUND

GameTime deluxe volleyball net and permanent volleyball posts, Item #739, or equal. Posts must be a minimum of 2 5/8inch OD galvanized pipe a minimum of 10 feet in length and 2 7/8inch OD galvanized socket a minimum of 2 feet in length.

GameTime tuffclad 6' bench with back in-ground (PS), Item #28009, or equal. Bench must have a minimum of 2 3/8 inch OD galvanized.

Installation of all the above referenced items for the Area 10 – (Volleyball) Shelters 5, 6 & 7 Playground. Prevailing heavy wage rates must be paid for Kanawha County, West Virginia.

Kanawha State Forest Playground Specifications

(<http://www.wvsos.com/adlaw/wagerates/heavyhighway/heavyhighway09/allhh.pdf>.)
Installation must be complete within ninety (90) days of purchase order award.

AREA 10 -SHELTERS 5, 6 & 7 PLAYGROUND

PrimeTime swing, Item #12583, or equal. Top rail and arch must have a minimum 3 ½ inch OD; arch must be a minimum of 11 gauge galvanized steel tubing; must include a minimum of 3 ½ inch OD galvanized steel sleeve; must be polyester powder coat; must be a minimum of 8 foot high with finished surface; must have a minimum of a 12 foot top rail; and must accommodate two (2) free standing swings.

PrimeTime swing belt seat package 3 ½" OD, item #8910, or equal. Package must include all hardware necessary to attach to a minimum of a 3 ½ inch top rail.

PrimeTime swing add-a-bay, Item #12584, or equal. Top rail and arch must have a minimum 3 ½ inch OD; arch must be a minimum of 11 gauge galvanized steel tubing; must include a minimum of 3 ½ inch OD galvanized steel sleeve; must be polyester powder coat; must be a minimum of 8 foot high with a finished surface; must have a minimum of a 12 foot top rail; and must accommodate two (2) free standing swings.

PrimeTime tot seat package 3 ½" OD, Item #8696, or equal. Package must include all hardware necessary to attach seat to a minimum of a 3 ½ inch top rail.

GameTime tuffclad 6' bench with back in-ground (PS), Item #28009, or equal. Bench must have a minimum of 2 3/8 inch OD galvanized powder coat; and seat bench and back must have punched steel with a plastic coating.

GameTime space arch, item #6510, or equal. Arch must have a minimum of 1 7/8 inch OD galvanized frame; have a minimum of 1 1/16 inch OD rungs welded at a minimum of 6 feet 5 inches in height.

Installation of all the above referenced items for the Area 10 – Shelters 5, 6 & 7 Playground. Prevailing heavy wage rates must be paid for Kanawha County, West Virginia.
(<http://www.wvsos.com/adlaw/wagerates/heavyhighway/heavyhighway09/allhh.pdf>.)
Installation must be complete within ninety (90) days of purchase order award.

ITEMS FOR ALL ELEVEN PLAYGROUNDS

Kanawha State Forest Playground Specifications

(<http://www.wvsos.com/adlaw/wagerates/heavyhighway/heavyhighway09/allhh.pdf>.)
Installation must be complete within ninety (90) days of purchase order award.

AREA 10 -SHELTERS 5, 6 & 7 PLAYGROUND

PrimeTime swing, Item #12583, or equal. Top rail and arch must have a minimum 3 ½ inch OD; arch must be a minimum of 11 gauge galvanized steel tubing; must include a minimum of 3 ½ inch OD galvanized steel sleeve; must be polyester powder coat; must be a minimum of 8 foot high with finished surface; must have a minimum of a 12 foot top rail; and must accommodate two (2) free standing swings.

PrimeTime swing belt seat package 3 ½" OD, item #8910, or equal. Package must include all hardware necessary to attach to a minimum of a 3 ½ inch top rail.

PrimeTime swing add-a-bay, Item #12584, or equal. Top rail and arch must have a minimum 3 ½ inch OD; arch must be a minimum of 11 gauge galvanized steel tubing; must include a minimum of 3 ½ inch OD galvanized steel sleeve; must be polyester powder coat; must be a minimum of 8 foot high with a finished surface; must have a minimum of a 12 foot top rail; and must accommodate two (2) free standing swings.

PrimeTime tot seat package 3 ½" OD, Item #8696, or equal. Package must include all hardware necessary to attach seat to a minimum of a 3 ½ inch top rail.

GameTime tuffclad 6' bench with back in-ground (PS), Item #28009, or equal. Bench must have a minimum of 2 3/8 inch OD galvanized powder coat; and seat bench and back must have punched steel with a plastic coating.

GameTime space arch, item #6510, or equal. Arch must have a minimum of 1 7/8 inch OD galvanized frame; have a minimum of 1 1/16 inch OD rungs welded at a minimum of 6 feet 5 inches in height.

Installation of all the above referenced items for the Area 10 – Shelters 5, 6 & 7 Playground. Prevailing heavy wage rates must be paid for Kanawha County, West Virginia. (<http://www.wvsos.com/adlaw/wagerates/heavyhighway/heavyhighway09/allhh.pdf>.)
Installation must be complete within ninety (90) days of purchase order award.

ITEMS FOR ALL ELEVEN PLAYGROUNDS

Kanawha State Forest Playground Specifications

Geo-textile fabric, 2,250 sq. ft. roll or equal. Fabric must provide a water permeable separation between the earth and the wood fiber and at least 150 gallons per square foot per minute.

Engineered wood fiber @ 8inch compacted depth. Material must be recently harvested and debarked; free of chemical treatments and additives; free of soil, twigs, leaves and other contaminants.

4inch x 8inch wood border or equal.

Installation of all the above referenced items all eleven (11) Playgrounds. Prevailing heavy wage rates must be paid for Kanawha County, West Virginia. (<http://www.wvsos.com/adlaw/wagerates/heavyhighway/heavyhighway09/allhh.pdf>.) Installation must be complete within ninety (90) days of purchase order award.

Kanawha State Forest Playground Specifications

All playground equipment and engineered wood fiber must meet the following requirements:

- Compliance with U.S. Consumer Product Safety Commission, Handbook for Public Playground Safety.
- Compliance with ASTM Standard F 1487.
- Compliance with Architectural and Transportation Barriers Compliance Board, Americans with Disabilities Act (ADA) Accessibility Guidelines for Buildings and Facilities; Play Areas.

Vendors must submit the following attachments:

- Complete manufacturer's parts specifications and warranties.
- Layout drawing to scale of the proposed play structure or equipment.
- ASTM and CPSC Statement of Compliance

Warranties:

- All equipment and engineered wood fiber must be guaranteed to be free of defects in workmanship and material for a minimum of one year from date of acceptance. However, if manufacturer warranty periods are longer than the required minimum one year warranty, those warranties must apply.

Color scheme of equipment must be coordinated with Kanawha State Forest. Color of items will be selected from manufacturer's standard colors.

A mandatory pre-bid conference will be held on May 4, 2009, at Kanawha State Forest Headquarters at 10:00 a.m. A failure to attend the mandatory pre-bid conference will result in

Kanawha State Forest Playground Specifications

bid disqualification. An individual may not represent more than one firm at the pre-bid conference.

Kanawha State Forest

PLAYGROUND EQUIPMENT SHEET

Please complete the below information concerning the brand(s) of equipment being bid in relation to this project. If bidding inchor equal inch brands, please attach manufacturer's literature documenting that it meets the mandatory requirements stated in the specifications. Vendors should note the areas of the provided manufacturer's literature that adheres to the mandatory requirements outlined in the Request For Quotation.

| Item No. | Equipment | Manufacturer | Model |
|-----------------|--|---------------------|--------------|
| 1 | Area 1 - Dam Playground PrimeTime swing, Item #12583, or equal. | | |
| 2 | Area 1 - Dam Playground PrimeTime swing belt seat package 3 1/2 inch OD, item #8910, or equal. | | |
| 3 | Area 1- Dam Playground PrimeTime swing add-a-bay, Item #12584, or equal. | | |
| 4 | Area 1 - Dam Playground PrimeTime tot seat package 3 1/2 inch OD, Item #8696, or equal. | | |
| 5 | Area 1 - Dam Playground GameTime freestanding wave zip slide, Item #18395, or equal. | | |
| 6 | Area 1 - Dam Playground GameTime tuffclad 6' bench with back in-ground (PS), Item #28009, or equal. | | |
| 7 | Area 1 - Dam Playground GameTime dome climber, Item#655, or equal. | | |
| 8 | Installation of all items (1, 2, 3, 4, 5, 6, & 7) for the Area 1 - Dam Playground. | | |

Kanawha State Forest

PLAYGROUND EQUIPMENT SHEET

| Item No. | Equipment | Manufacturer | Model |
|----------|---|--------------|-------|
| 9 | Area 2 - Rattlesnake Playground GameTime parcourse fitcenter, Item #13200, or equal. Unit must include the following components: | | |
| | Area 2 - Rattlesnake Playground Sign Frame | | |
| | Area 2 - Rattlesnake Playground Achilles/Trunk | | |
| | Area 2 - Rattlesnake Playground Sit and Reach | | |
| | Area 2 - Rattlesnake Playground Leg Stretch | | |
| | Area 2 - Rattlesnake Playground Stretch Bar | | |
| | Area 2 - Rattlesnake Playground Vault Bar | | |
| | Area 2 - Rattlesnake Playground Sit-Up Bench | | |
| | Area 2 - Rattlesnake Playground Push-Up | | |
| | Area 2 - Rattlesnake Playground Chin-Up | | |
| | Area 2 - Rattlesnake Playground Knee-Lift | | |
| | Area 2 - Rattlesnake Playground Body Curl | | |
| | Area 2 - Rattlesnake Playground Log Hop | | |
| | Area 2 - Rattlesnake Playground Bench Dip | | |
| | Area 2 - Rattlesnake Playground Bench Curl | | |

Kanawha State Forest PLAYGROUND EQUIPMENT SHEET

| Item No. | Equipment | Manufacturer | Model |
|----------|---|--------------|-------|
| 10 | Area 2 - Rattlesnake Playground GameTime deluxe volleyball net and permanent volleyball posts, Item #739, or equal. | | |
| 11 | Installation of all items (9 & 10) for Area 2 - Rattlesnake Playground. | | |
| 12 | Area 3 - Upper Pines Playground PrimeTime swing, Item #12583, or equal. days of purchase order award. | | |
| 13 | Area 3 - Upper Pines Playground PrimeTime swing belt seat package 3 1/2 inch OD, item #8910, or equal. | | |
| 14 | Area 3 - Upper Pines Playground PrimeTime swing add-a-bay, Item #12584, or equal. | | |
| 15 | Area 3 - Upper Pines Playground PrimeTime enclosed tot seat package 3 1/2 inch OD, Item #8696, or equal. | | |
| 16 | Area 3 - Upper Pines Playground GameTime tuffclad 6' bench with back in- ground (P/S), Item #28009, or equal. | | |
| 17 | Area 3 - Upper Pines Playground GameTime freestanding wave zip slide, Item #16385, or equal. | | |

PLAYGROUND EQUIPMENT SHEET

| Item No. | Equipment | Manufacturer | Model |
|----------|---|--------------|-------|
| 18 | Area 3 - Upper Pines Playground GameTime cantilevered post with 48' extension, Item #460, or equal. | | |
| 19 | Area 3 - Upper Pines Playground GameTime aluminum backgard, Item #854, or equal, Item #460, or equal. | | |
| 20 | Area 3 - Upper Pines Playground GameTime super goal with steel net, Item #423, or equal. | | |
| 21 | Area 3 - Upper Pines Playground GameTime buck-a- bolt cool spring, Item #200, or equal. | | |
| 22 | Area 3 - Upper Pines Playground GameTime aluminum saddle seat, Item #2313, or equal. | | |
| 23 | Area 3 - Upper Pines Playground GameTime space arch, item #6510, or equal. | | |
| 24 | Installation of all items (12, 13, 14, 15, 16, 17, 18, 19, 20, 21, 22 & 23) for the Area 3 - Upper Pines Playground. | | |
| 25 | Area 4 - Swimming Pool Playground PrimeTime swing, Item #12583, or equal. | | |
| 26 | Area 4 - Swimming Pool Playground PrimeTime swing belt seat package 3 1/2 inch OD, item #8910, or equal. | | |

PLAYGROUND EQUIPMENT SHEET

| Item No. | Equipment | Manufacturer | Model |
|----------|--|--------------|-------|
| 27 | Area 4 - Swimming Pool Playground PrimeTime swing add-a-bay, Item #12584, or equal. | | |
| 28 | Area 4 - Swimming Pool Playground PrimeTime enclosed tot seat package 3 1/2 inch OD, Item #8696, or equal. | | |
| 29 | Area 4 - Swimming Pool Playground GameTime FS spiral slide, Item #81733, or equal. | | |
| 30 | Area 4 - Swimming Pool Playground GameTime rumble and roll zip slide, Item #18389, or equal. | | |
| 31 | Area 4 - Swimming Pool Playground GameTime wave climber , Item # 12735, or equal. | | |
| 32 | Area 4 - Swimming Pool Playground GameTime access attachment, Item # 18273, or equal. | | |
| 33 | Area 4 - Swimming Pool Playground GameTime transfer point, Item #18254, or equal. | | |
| 34 | Area 4 - Swimming Pool Playground GameTime crunch bar, Item # 13540, or equal. | | |
| 35 | Area 4 - Swimming Pool Playground GameTime clover leaf climber , Item #12811 , or equal. | | |
| 36 | Area 4 - Swimming Pool Playground GameTime 3 1/2 inch upright, Model # 12024, or equal. | | |

Kanawha State Forest

PLAYGROUND EQUIPMENT SHEET

| Item No. | Equipment | Manufacturer | Model |
|----------|--|--------------|-------|
| 37 | Area 4 - Swimming Pool Playground GameTime rectangle deck, Model #18202, or equal. | | |
| 38 | Area 4 - Swimming Pool Playground GameTime tuffclad 6' bench with back in- ground (P/S), Item #28009, or equal. | | |
| 39 | Area 4 - Swimming Pool Playground GameTime dome climber, Item #655, or equal. | | |
| 40 | Installation of all items(25, 26, 27, 28, 29, 30, 31, 32, 33, 34, 35, 36, 37, 38 & 39) for the Area 4 - Swimming Pool Playground. | | |
| 41 | Area 6 - Dunlop Hollow Playground PrimeTime swing, Item #12583, or equal. | | |
| 42 | Area 6 - Dunlop Hollow Playground PrimeTime swing belt seat package 3 1/2 inch OD, item #8910, or equal. | | |
| 43 | Area 6 - Dunlop Hollow Playground PrimeTime swing add-a-bay, Item #12584, or equal. | | |
| 44 | Area 6 - Dunlop Hollow Playground PrimeTime enclosed tot seat package 3 1/2 inch OD, Item #8696, or equal. | | |
| 45 | Area 6 - Dunlop Hollow Playground GameTime freestanding wave zip slide, Item #18395, or equal. | | |

Kanawha State Forest

PLAYGROUND EQUIPMENT SHEET

| Item No. | Equipment | Manufacturer | Model |
|----------|---|--------------|-------|
| 46 | Area 6 - Dunlop Hollow Playground GameTime deluxe volleyball net and permanent volleyball posts, Item #739, or equal. | | |
| 47 | Area 6 - Dunlop Hollow Playground GameTime tuffclad 6' bench with back in-ground (P/S), Item #28009, or equal. | | |
| 48 | Area 6 - Dunlop Hollow Playground GameTime space arch, item #6510, or equal. | | |
| 49 | Installation of all items (41, 42, 43, 44, 45,46, 47, & 48) for the Area 6 - Dunlop Hollow Playground. | | |
| 50 | Area 7 - Upper Campground Playground PrimeTime swing, Item #12583, or equal. | | |
| 51 | Area 7 - Upper Campground Playground PrimeTime swing belt seat package 3 1/2 inch OD, item #8910, or equal. | | |
| 52 | Area 7 - Upper Campground Playground PrimeTime swing add-a-bay, Item #12584, or equal. | | |
| 53 | Area 7 - Upper Campground Playground PrimeTime enclosed tot seat package 3 1/2 inch OD, Item #8696, or equal. | | |

Kanawha State Forest

PLAYGROUND EQUIPMENT SHEET

| Item No. | Equipment | Manufacturer | Model |
|-----------------|--|---------------------|--------------|
| 54 | Area 7 - Upper Campground Playground GameTime tuffclad 6' bench with back in- ground (P/S), Item #28009, or equal. | | |
| 55 | Area 7 - Upper Campground Playground GameTime freestanding wave zip slide, Item #18395, or equal. | | |
| 56 | Area 7 - Upper Campground Playground GameTime dome climber, Item #655, or equal. | | |
| 57 | Installation of all items (50, 51, 52, 53, 54, 55, & 56) for the Area 7 - Upper Campground Playground. | | |
| 58 | Area 8 - Lower Campground Playground GameTime 3 1/2 inch upright, Model # 12024, or equal. | | |
| 59 | Area 8 - Lower Campground Playground GameTime rectangle deck, Model #18202, or equal. | | |
| 60 | Area 8 - Lower Campground Playground GameTime rumble and roll zip slide, Item #18389, or equal. | | |
| 61 | Area 8 - Lower Campground Playground GameTime wave climber, Item # 12735, or equal. | | |
| 62 | Area 8 - Lower Campground Playground GameTime access attachment, Item # 18273, or equal. | | |

Kanawha State Forest

PLAYGROUND EQUIPMENT SHEET

| Item No. | Equipment | Manufacturer | Model |
|----------|--|--------------|-------|
| 63 | Area 8 - Lower Campground Playground GameTime transfer point, Item #18254, or equal. | | |
| 64 | Area 8 - Lower Campground Playground GameTime Crunch bar, Item # 13540, or equal. | | |
| 65 | Area 8 - Lower Campground Playground GameTime clover leaf climber, Item #12811 , or equal. | | |
| 66 | Area 8 - Lower Campground Playground GameTime tuffclad 6' bench with back in- ground (P/S), Item #28009, or equal. | | |
| 67 | Installation of all items (58, 59, 60, 61, 62, 63, 64, 65, & 66) for the Area 8 - Lower Campground Playground. | | |
| 68 | Area 9 - Shelters 3 & 4 Playground PrimeTime swing, Item #12583, or equal. | | |
| 69 | Area 9 - Shelters 3 & 4 Playground PrimeTime swing belt seat package 3 1/2 inch OD, item #8910, or equal. | | |
| 70 | Area 9 - Shelters 3 & 4 Playground PrimeTime swing add-a-bay, Item #12584, or equal. | | |
| 71 | Area 9 - Shelters 3 & 4 Playground PrimeTime enclosed tot seat package 3 1/2 inch OD, Item #8696, or equal. | | |

Kanawha State Forest

PLAYGROUND EQUIPMENT SHEET

| Item No. | Equipment | Manufacturer | Model |
|----------|--|--------------|-------|
| 72 | Area 9 - Shelters 3 & 4 Playground GameTime freestanding wave zip slide, Item #18395, or equal. | | |
| 73 | Area 9 - Shelters 3 & 4 GameTime painted rainbow climber, Item #P910, or equal. | | |
| 74 | Area 9 - Shelters 3 & 4 Playground GameTime tuffclad 6' bench with back in- ground (P/S), Item #28009, or equal. | | |
| 75 | Installation of all items (68, 69,70, 71, 72, 73 & 74) for the Area 9 - Shelters 3 & 4 Playground . | | |
| 76 | Area 9 - Between Shelters 3 & 4 and 5, 6 & 7 Playground GameTime 3 1/2 inch upright, Model # 12024, or equal. | | |
| 77 | Area 9 - Between Shelters 3 & 4 and 5, 6 & 7 Playground GameTime rectangle deck, Model #18202, or equal. | | |
| 78 | Area 9 - Between Shelters 3 & 4 and 5, 6 & 7 Playground GameTime rumble and roll zip slide, Item #18389, or equal. | | |
| 79 | Area 9 - Between Shelters 3 & 4 and 5, 6 & 7 Playground GameTime wave climber , Item # 12735, or equal. | | |
| 80 | Area 9 - Between Shelters 3 & 4 and 5, 6 & 7 Playground GameTime access attachment, Item # 18273, or equal. | | |

Kanawha State Forest

PLAYGROUND EQUIPMENT SHEET

| Item No. | Equipment | Manufacturer | Model |
|----------|---|--------------|-------|
| 81 | Area 9 - Between Shelters 3 & 4 and 5, 6 & 7 Playground GameTime transfer point, Item #18254, or equal. | | |
| 82 | Area 9 - Between Shelters 3 & 4 and 5, 6 & 7 Playground GameTime crunch bar, Item # 13540, or equal. | | |
| 83 | Area 9 - Between Shelters 3 & 4 and 5, 6 & 7 Playground GameTime clover leaf climber, Item #12811 , or equal. | | |
| 84 | Area 9 - Between Shelters 3 & 4 and 5, 6 & 7 Playground GameTime tuffclad 6' bench with back in-ground (P/S), Item #28009, or equal. | | |
| 85 | Installation of all Items (76, 77, 78, 79, 80, 81, 82, 83 & 84) for the Area 9 - Between Shelters 3 & 4 and 5, 6 & 7 Playground. | | |
| 86 | Area 10 - (Volleyball) Shelters 5, 6 & 7 Playground GameTime deluxe volleyball net and permanent volleyball posts, Item #739, or equal. | | |
| 87 | Area 10 - (Volleyball) Shelters 5, 6 & 7 Playground GameTime tuffclad 6' bench with back in-ground (P/S), Item #28009, or equal. | | |
| 88 | Installation of all items (86 & 87) for the Area 10 - (Volleyball) Shelters 5, 6 & 7 Playground. | | |

Kanawha State Forest

PLAYGROUND EQUIPMENT SHEET

| Item No. | Equipment | Manufacturer | Model |
|----------|---|--------------|-------|
| 89 | Area 10 -Shelters 5, 6 & 7 Playground PrimeTime swing, Item #12583, or equal. | | |
| 90 | Area 10 -Shelters 5, 6 & 7 Playground PrimeTime swing belt seat package 3 1/2 inch OD, item #8910, or equal. | | |
| 91 | Area 10 -Shelters 5, 6 & 7 Playground PrimeTime swing add-a-bay, Item #12584, or equal. | | |
| 92 | Area 10 -Shelters 5, 6 & 7 Playground PrimeTime enclosed tot seat package 3 1/2 OD, Item #8696, or equal. | | |
| 93 | Area 10 -Shelters 5, 6 & 7 Playground GameTime tuffclad 6' bench with back in- ground (P/S), Item #28009, or equal. | | |
| 94 | Area 10 -Shelters 5, 6 & 7 Playground GameTime space arch, item #6510, or equal. | | |
| 95 | Installation of all items (89, 90, 91, 92, 93 & 94) for the Area 10 -Shelters 5, 6 & 7 Playground. | | |
| 96 | Items For all Eleven Playgrounds geo-textile fabric, 2,250 sq. ft., roll or equal. | | |
| 97 | Items For All Eleven Playgrounds engineered wood fiber @ 8 inch compacted depth. | | |

PLAYGROUND EQUIPMENT SHEET

| Item No. | Equipment | Manufacturer | Model |
|----------|--|--------------|-------|
| 98 | Items For All Eleven Playgrounds 4 inch x 8 inch wood border or equal. | | |
| 99 | Installation of all items (96, 97 & 98) for all eleven playgrounds. | | |

PRICING SHEET

| Item No. | Quantity | Description | Unit Price | Amount |
|----------|----------|--|------------|--------|
| 1 | 1 | Area 1 - Dam Playground PrimeTime swing, Item #12583, or equal. | | |
| 2 | 2 | Area 1 - Dam Playground PrimeTime swing belt seat package 3 1/2 inch OD, item #8910, or equal. | | |
| 3 | 1 | Area 1- Dam Playground PrimeTime swing add-a-bay, Item #12584, or equal. | | |
| 4 | 2 | Area 1 - Dam Playground PrimeTime tot seat package 3 1/2 inch OD, Item #8696, or equal. | | |
| 5 | 1 | Area 1 - Dam Playground GameTime freestanding wave zip slide, Item #18395, or equal. | | |
| 6 | 1 | Area 1 - Dam Playground GameTime tuffclad 6' bench with back in-ground (PS), Item #28009, or equal. | | |
| 7 | 1 | Area 1 - Dam Playground GameTime dome climber, Item#655, or equal. | | |
| 8 | 1 | Installation of all items (1, 2, 3, 4, 5, 6, & 7) for the Area 1 - Dam Playground. | | |
| 9 | 1 | Area 2 - Rattlesnake Playground GameTime parcours fitcenter, Item #13200, or equal. | | |
| 10 | 1 | Area 2 - Rattlesnake Playground GameTime deluxe volleyball net and permanent volleyball posts, Item #739, or equal. | | |

PRICING SHEET

| Item No. | Quantity | Description | Unit Price | Amount |
|----------|----------|--|------------|--------|
| 11 | 1 | Installation of all items (9 & 10) for Area 2 Rattlesnake Playground. Prevailing heavy wage rates must be paid for Kanawha County, West Virginia (http://www.wvsos.com/adlaw/wagerates/heavyhighways09.htm). Installation must be complete within ninety (90) days of purchase order award. | | |
| 12 | 1 | Area 3 - Upper Pines Playground PrimeTime swing, Item #12583, or equal. | | |
| 13 | 2 | Area 3 - Upper Pines Playground PrimeTime swing belt seat package 3 1/2 inch OD, item #8910, or equal. | | |
| 14 | 1 | Area 3 - Upper Pines Playground PrimeTime swing add-a-bay, Item #12584, or equal. | | |
| 15 | 2 | Area 3 - Upper Pines Playground PrimeTime enclosed tot seat package 3 1/2 inch OD, Item #8696, or equal. | | |
| 16 | 1 | Area 3 - Upper Pines Playground GameTime tuffclad 6' bench with back in-ground (P/S), Item #28009, or equal. | | |
| 17 | 1 | Area 3 - Upper Pines Playground GameTime freestanding wave zip slide, Item #16385, or equal. | | |
| 18 | 2 | Area 3 - Upper Pines Playground GameTime cantilevered post with 48' extension, Item #460, or equal. | | |
| 19 | 2 | Area 3 - Upper Pines Playground GameTime aluminum backgard, Item #854, or equal., Item #460, or equal. | | |

PRICING SHEET

| Item No. | Quantity | Description | Unit Price | Amount |
|----------|----------|---|------------|--------|
| 20 | 2 | Area 3 - Upper Pines Playground GameTime super goal with steel net, Item #423, or equal. | | |
| 21 | 1 | Area 3 - Upper Pines Playground GameTime buck-a-bolt cool spring, Item #200, or equal. | | |
| 22 | 4 | Area 3 - Upper Pines Playground GameTime aluminum saddle seat, Item #2313, or equal. | | |
| 23 | 1 | Area 3 - Upper Pines Playground GameTime space arch, item #6510, or equal. | | |
| 24 | 1 | Installation of all items (12, 13, 14, 15, 16, 17, 18, 19, 20, 21, 22 & 23) for the Area 3 - Upper Pines Playground. | | |
| 25 | 1 | Area 4 - Swimming Pool Playground PrimeTime swing, Item #12583, or equal. | | |
| 26 | 2 | Area 4 - Swimming Pool Playground PrimeTime swing belt seat package 3 1/2 inch OD, item #8910, or equal. | | |
| 27 | 1 | Area 4 - Swimming Pool Playground PrimeTime swing add-a- bay, Item #12584, or equal. | | |
| 28 | 2 | Area 4 - Swimming Pool Playground PrimeTime enclosed tot seat package 3 1/2 inch OD, Item #8696, or equal. | | |
| 29 | 1 | Area 4 - Swimming Pool Playground GameTime FS spiral slide, Item #81733, or equal. | | |
| 30 | 1 | Area 4 - Swimming Pool Playground GameTime rumble and roll zip slide, Item #18389, or equal. | | |

Kanawha State Forest Playground Equipment
PRICING SHEET

| Item No. | Quantity | Description | Unit Price | Amount |
|----------|----------|---|------------|--------|
| 31 | 1 | Area 4 - Swimming Pool Playground GameTime wave climber , Item # 12735, or equal. | | |
| 32 | 1 | Area 4 - Swimming Pool Playground GameTime access attachment, Item # 18273, or equal. | | |
| 33 | 1 | Area 4 - Swimming Pool Playground GameTime transfer point, Item #18254, or equal. | | |
| 34 | 1 | Area 4 - Swimming Pool Playground GameTime crunch bar, Item # 13540, or equal. | | |
| 35 | 1 | Area 4 - Swimming Pool Playground GameTime clover leaf climber, Item #12811 , or equal. | | |
| 36 | 1 | Area 4 - Swimming Pool Playground GameTime 3 1/2 inch upright, Model # 12024, or equal. | | |
| 37 | 1 | Area 4 - Swimming Pool Playground GameTime rectangle deck, Model #18202, or equal. | | |
| 38 | 1 | Area 4 - Swimming Pool Playground GameTime tuffclad 6' bench with back in-ground (P/S), Item #28009, or equal. | | |
| 39 | 1 | Area 4 - Swimming Pool Playground GameTime dome climber, Item #655, or equal. | | |
| 40 | 1 | Installation of all items(25, 26, 27, 28, 29, 30, 31, 32, 33, 34, 35, 36, 37, 38 & 39) for the Area 4 - Swimming Pool Playground. | | |
| 41 | 1 | Area 6 - Dunlop Hollow Playground PrimeTime swing, Item #12583, or equal. | | |

PRICING SHEET

| Item No. | Quantity | Description | Unit Price | Amount |
|----------|----------|--|------------|--------|
| 42 | 2 | Area 6 - Dunlop Hollow Playground PrimeTime swing belt seat package 3 1/2 inch OD, item #8910, or equal. | | |
| 43 | 1 | Area 6 - Dunlop Hollow Playground PrimeTime swing add-a-bay, Item #12584, or equal. | | |
| 44 | 2 | Area 6 - Dunlop Hollow Playground PrimeTime enclosed tot seat package 3 1/2 inch OD, Item #8696, or equal. | | |
| 45 | 1 | Area 6 - Dunlop Hollow Playground GameTime freestanding wave zip slide, Item #18395, or equal. | | |
| 46 | 1 | Area 6 - Dunlop Hollow Playground Deluxe volleyball net and permanent volleyball posts, Item #739, or equal. | | |
| 47 | 1 | Area 6 - Dunlop Hollow Playground GameTime tuffclad 6' bench with back in-ground (P/S), Item #28009, or equal. | | |
| 48 | 1 | Area 6 - Dunlop Hollow Playground GameTime space arch, item #6510, or equal. | | |
| 49 | 1 | Installation of all items (41, 42, 43, 44, 45,46, 47, & 48) for the Area 6 - Dunlop Hollow Playground. | | |
| 50 | 1 | Area 7 - Upper Campground Playground PrimeTime swing, Item #12583, or equal. | | |
| 51 | 2 | Area 7 - Upper Campground Playground PrimeTime swing belt seat package 3 1/2 inch OD, item #8910, or equal. | | |

PRICING SHEET

| Item No. | Quantity | Description | Unit Price | Amount |
|----------|----------|--|------------|--------|
| 52 | 1 | Area 7 - Upper Campground Playground PrimeTime swing add-a- bay, Item #12584, or equal. | | |
| 53 | 2 | Area 7 - Upper Campground Playground PrimeTime enclosed tot seat package 3 1/2 inch OD, Item #8696, or equal. | | |
| 54 | 1 | Area 7 - Upper Campground Playground GameTime tuffclad 6' bench with back in-ground (P/S), Item #28009, or equal. | | |
| 55 | 1 | Area 7 - Upper Campground Playground GameTime freestanding wave zip slide, Item #18395, or equal. | | |
| 56 | 1 | Area 7 - Upper Campground Playground GameTime dome climber, Item #655, or equal. | | |
| 57 | 1 | Installation of all items (50, 51, 52, 53, 54, 55, & 56) for the Area 7 - Upper Campground Playground. | | |
| 58 | 1 | Area 8 - Lower Campground Playground GameTime 3 1/2 inch upright, Model # 12024, or equal. | | |
| 59 | 1 | Area 8 - Lower Campground Playground GameTime rectangle deck, Model #18202, or equal. | | |
| 60 | 1 | Area 8 - Lower Campground Playground GameTime rumble and roll zip slide, Item #18389, or equal. | | |
| 61 | 1 | Area 8 - Lower Campground Playground GameTime wave climber , Item # 12735, or equal. | | |
| 62 | 1 | Area 8 - Lower Campground Playground GameTime access attachment, Item # 18273, or equal. | | |

PRICING SHEET

| Item No. | Quantity | Description | Unit Price | Amount |
|----------|----------|--|------------|--------|
| 63 | 1 | Area 8 - Lower Campground Playground GameTime transfer point, Item #18254, or equal. | | |
| 64 | 1 | Area 8 - Lower Campground Playground GameTime Crunch bar, Item # 13540, or equal. | | |
| 65 | 1 | Area 8 - Lower Campground Playground GameTime clover leaf climber, Item #12811 , or equal. | | |
| 66 | 1 | Area 8 - Lower Campground Playground GameTime tuffclad 6' bench with back in-ground (P/S), Item #28009, or equal. | | |
| 67 | 1 | Installation of all items (58, 59, 60, 61, 62, 63, 64, 65, & 66) for the Area 8 - Lower Campground Playground. | | |
| 68 | 1 | Area 9 - Shelters 3 & 4 Playground PrimeTime swing, Item #12583, or equal. | | |
| 69 | 2 | Area 9 - Shelters 3 & 4 Playground PrimeTime swing belt seat package 3 1/2 inch OD, item #8910, or equal. | | |
| 70 | 1 | Area 9 - Shelters 3 & 4 Playground PrimeTime swing add-a-bay, Item #12584, or equal. | | |
| 71 | 2 | Area 9 - Shelters 3 & 4 Playground PrimeTime enclosed tot seat package 3 1/2 inch OD, Item #8696, or equal. | | |
| 72 | 1 | Area 9 - Shelters 3 & 4 Playground GameTime freestanding wave zip slide, Item #18395, or equal. | | |
| 73 | 1 | Area 9 - Shelters 3 & 4 GameTime painted rainbow climber, Item #P910, or equal. | | |

PRICING SHEET

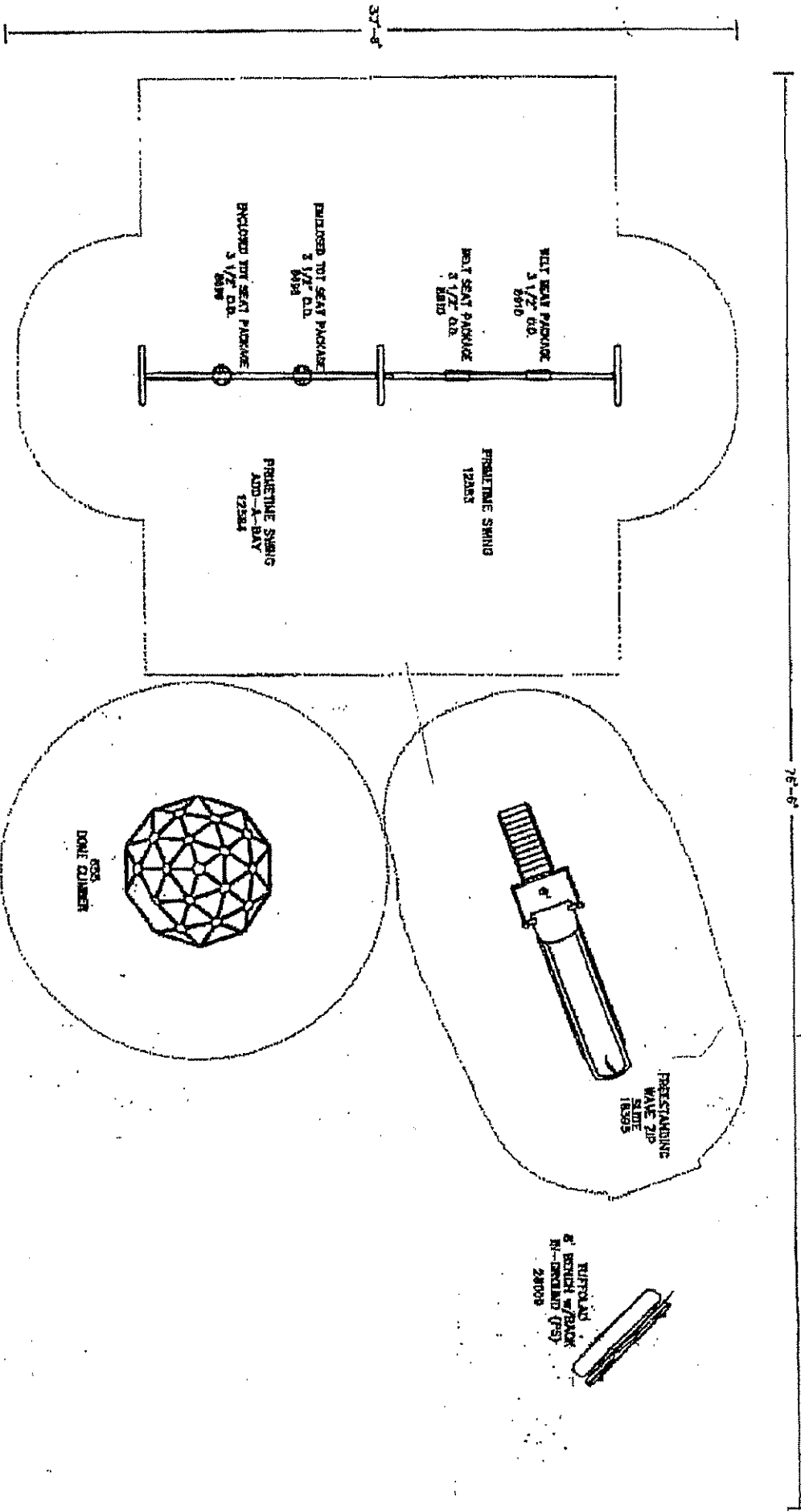
| Item No. | Quantity | Description | Unit Price | Amount |
|----------|----------|--|------------|--------|
| 74 | 1 | Area 9 - Shelters 3 & 4 Playground GameTime tuffclad 6' bench with back in-ground (P/S), Item #28009, or equal. | | |
| 75 | 1 | Installation of all items (68, 69,70, 71, 72, 73 & 74) for the Area 9 - Shelters 3 & 4 Playground . | | |
| 76 | 1 | Area 9 - Between Shelters 3 & 4 and 5, 6 & 7 Playground GameTime 3 1/2 inch upright, Model # 12024, or equal. | | |
| 77 | 1 | Area 9 - Between Shelters 3 & 4 and 5, 6 & 7 Playground GameTime rectangle deck, Model #18202, or equal. | | |
| 78 | 1 | Area 9 - Between Shelters 3 & 4 AND 5, 6 & 7 Playground GameTime rumble and roll zip slide, Item #18389, or equal. | | |
| 79 | 1 | Area 9 - Between Shelters 3 & 4 and 5, 6 & 7 Playground GameTime wave climber , Item # 12735, or equal. | | |
| 80 | 1 | Area 9 - Between Shelters 3 & 4 and 5, 6 & 7 Playground GameTime access attachment, Item # 18273, or equal. | | |
| 81 | 1 | Area 9 - Between Shelters 3 & 4 and 5, 6 & 7 Playground GameTime transfer point, Item #18254, or equal. | | |
| 82 | 1 | Area 9 - Between Shelters 3 & 4 and 5, 6 & 7 Playground GameTime crunch bar, Item # 13540, or equal. | | |
| 83 | 1 | Area 9 - Between Shelters 3 & 4 and 5, 6 & 7 Playground GameTime clover leaf climber, Item #12811 , or equal. | | |

PRICING SHEET

| Item No. | Quantity | Description | Unit Price | Amount |
|----------|----------|---|------------|--------|
| 84 | 1 | Area 9 - Between Shelters 3 & 4 and 5, 6 & 7 Playground GameTime tuffclad 6' bench with back in-ground (P/S), Item #28009, or equal. | | |
| 85 | 1 | Installation of all Items (76, 77, 78, 79, 80, 81, 82, 83 & 84) for the Area 9 - Between Shelters 3 & 4 and 5, 6 & 7 Playground. | | |
| 86 | 1 | Area 10 - (Volleyball) Shelters 5, 6 & 7 Playground GameTime deluxe volleyball net and permanent volleyball posts, Item #739, or equal. | | |
| 87 | 1 | Area 10 - (Volleyball) Shelters 5, 6 & 7 Playground GameTime tuffclad 6' bench with back in-ground (P/S), Item #28009, or equal. | | |
| 88 | 1 | Installation of all items (86 & 87) for the Area 10 - (Volleyball) Shelters 5, 6 & 7 Playground. | | |
| 89 | 1 | Area 10 -Shelters 5, 6 & 7 Playground PrimeTime swing, Item #12583, or equal. | | |
| 90 | 2 | Area 10 -Shelters 5, 6 & 7 Playground PrimeTime swing belt seat package 3 1/2 inch OD, item #8910, or equal. | | |
| 91 | 1 | Area 10 -Shelters 5, 6 & 7 Playground PrimeTime swing add-a-bay, Item #12584, or equal. | | |
| 92 | 2 | Area 10 -Shelters 5, 6 & 7 Playground PrimeTime enclosed tot seat package 3 1/2 OD, Item #8696, or equal. | | |

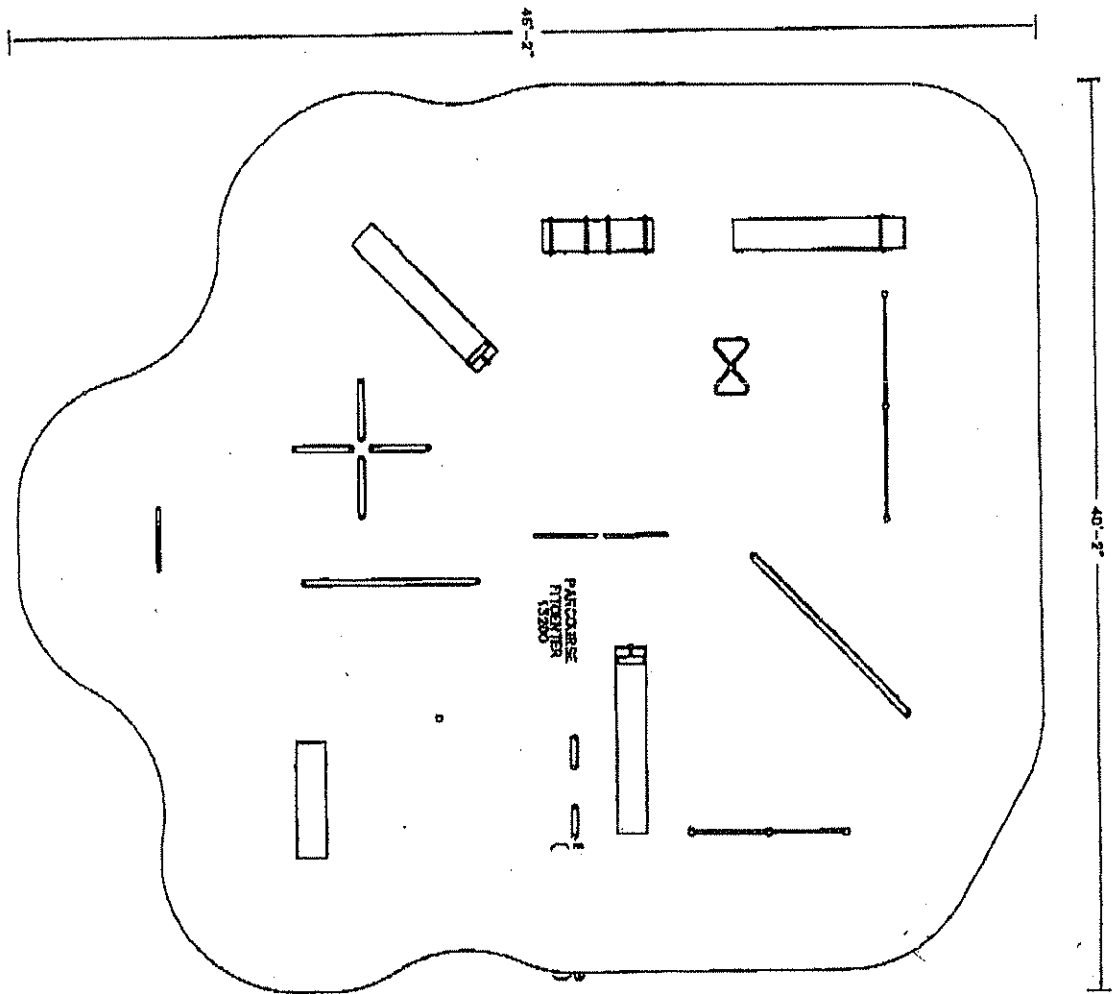
Kanawha State Forest Playground Equipment
PRICING SHEET

| Item No. | Quantity | Description | Unit Price | Amount |
|----------|-----------------------|---|------------|--------|
| 93 | 1 | Area 10 -Shelters 5, 6 & 7 Playground GameTime tuffclad 6' bench with back in-ground (P/S), Item #28009, or equal. | | |
| 94 | 1 | Area 10 -Shelters 5, 6 & 7 Playground GameTime space arch, item #6510, or equal. | | |
| 95 | 1 | Installation of all items (89, 90, 91, 92, 93 & 94) for the Area 10 - Shelters 5, 6 & 7 Playground. | | |
| 96 | 9 | Items For all Eleven Playgrounds geo-textile fabric, 2,250 sq. ft. roll or equal. | | |
| 97 | 20,000 square feet | Items For All Eleven Playgrounds engineered wood fiber @ 8 inch compacted depth. | | |
| 98 | 1,500 feet | Items For All Eleven Playgrounds 4 inch x 8 inch wood border or equal. | | |
| 99 | 1 | Installation of all items (96, 97 & 98) for the eleven playgrounds. | | |
| | | TOTALS | | |



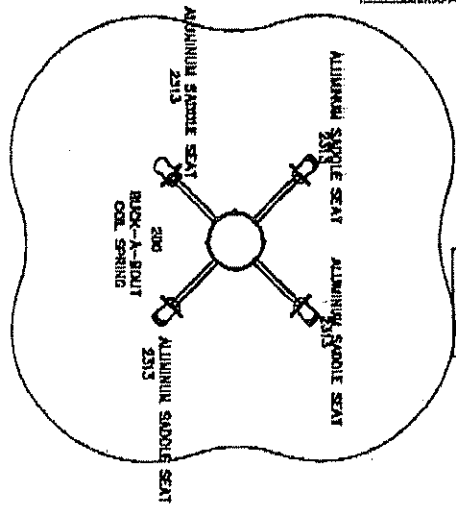
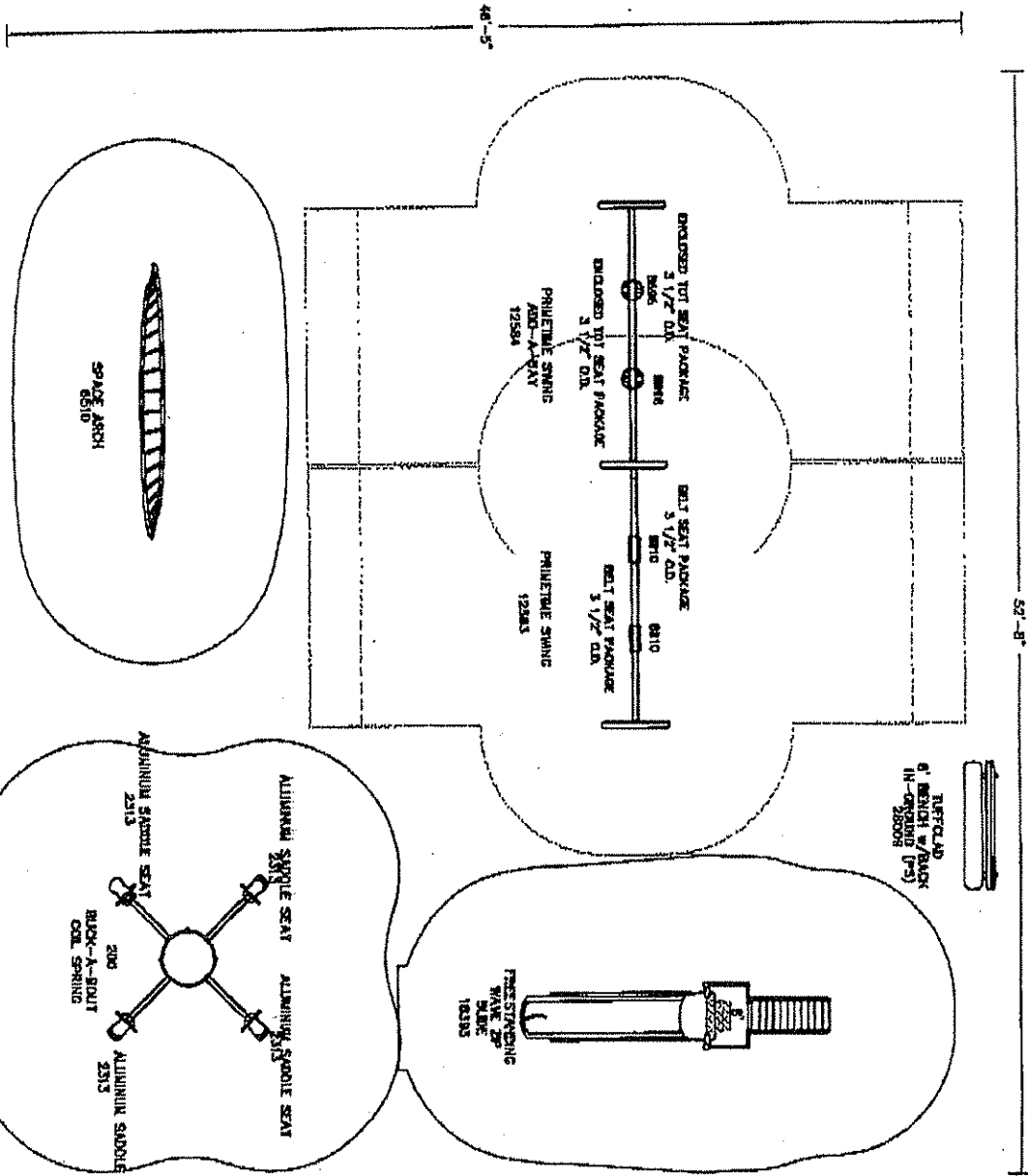
AREA 1 - DAM

AREA 2 - RATTLESNAKE

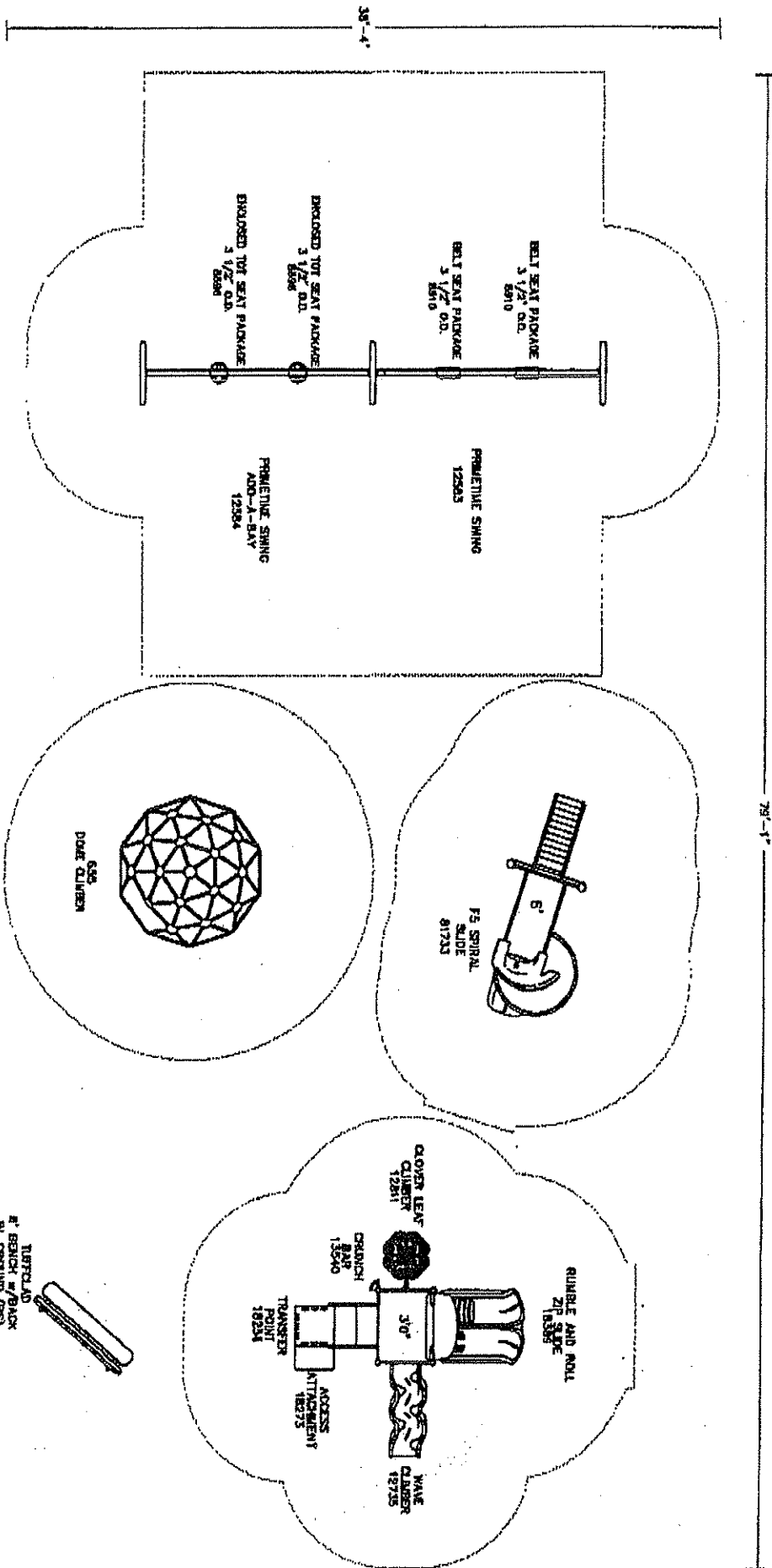


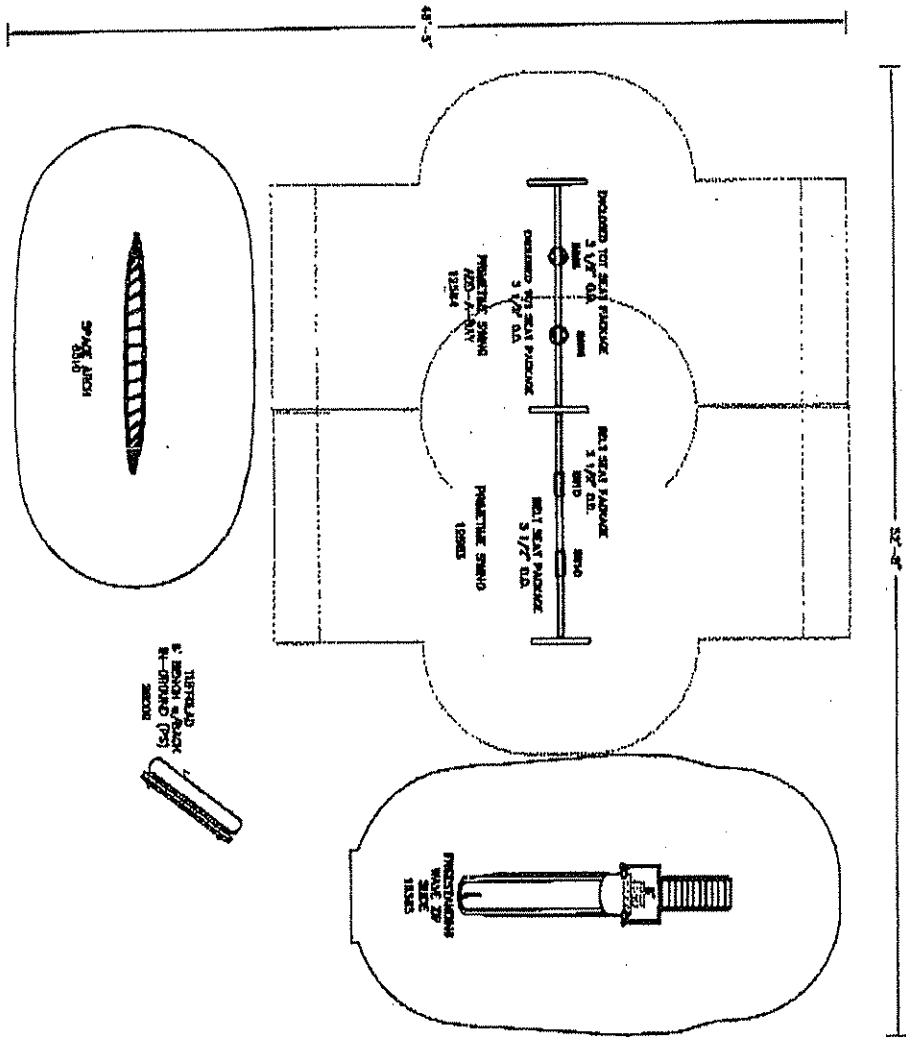
DOLLAR
 VOLLENBERG
 NET
 VOLLENBERG
 PUSERS
 (PERMANENT)
 759

AREA 3 - UPPER PINES



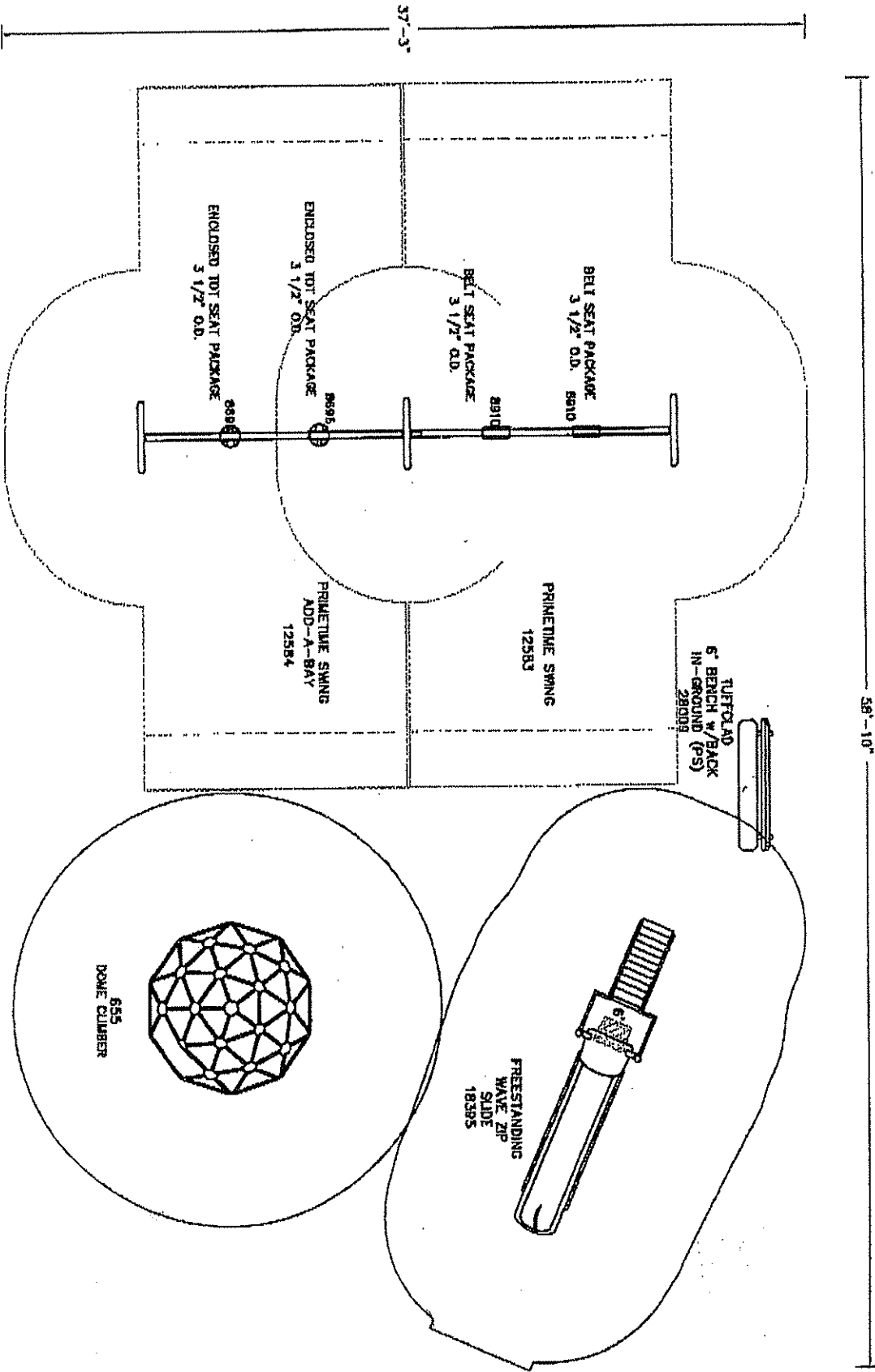
AREA 4 - SWIMMING POOL





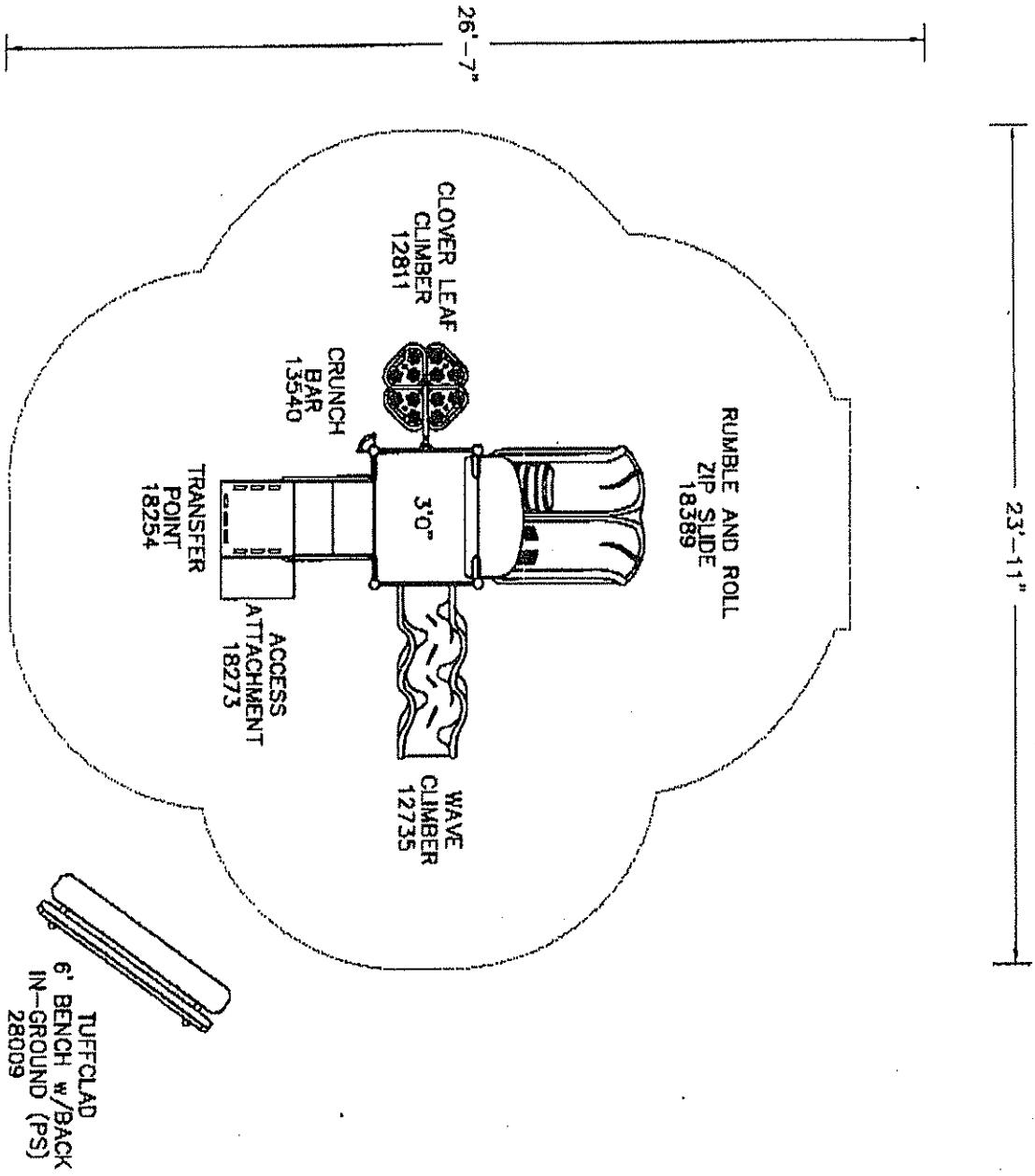
Alec G - Dunlop Hollow

DATE
VALLEY
NET
GENERAL
COPIES
(maximum)
75

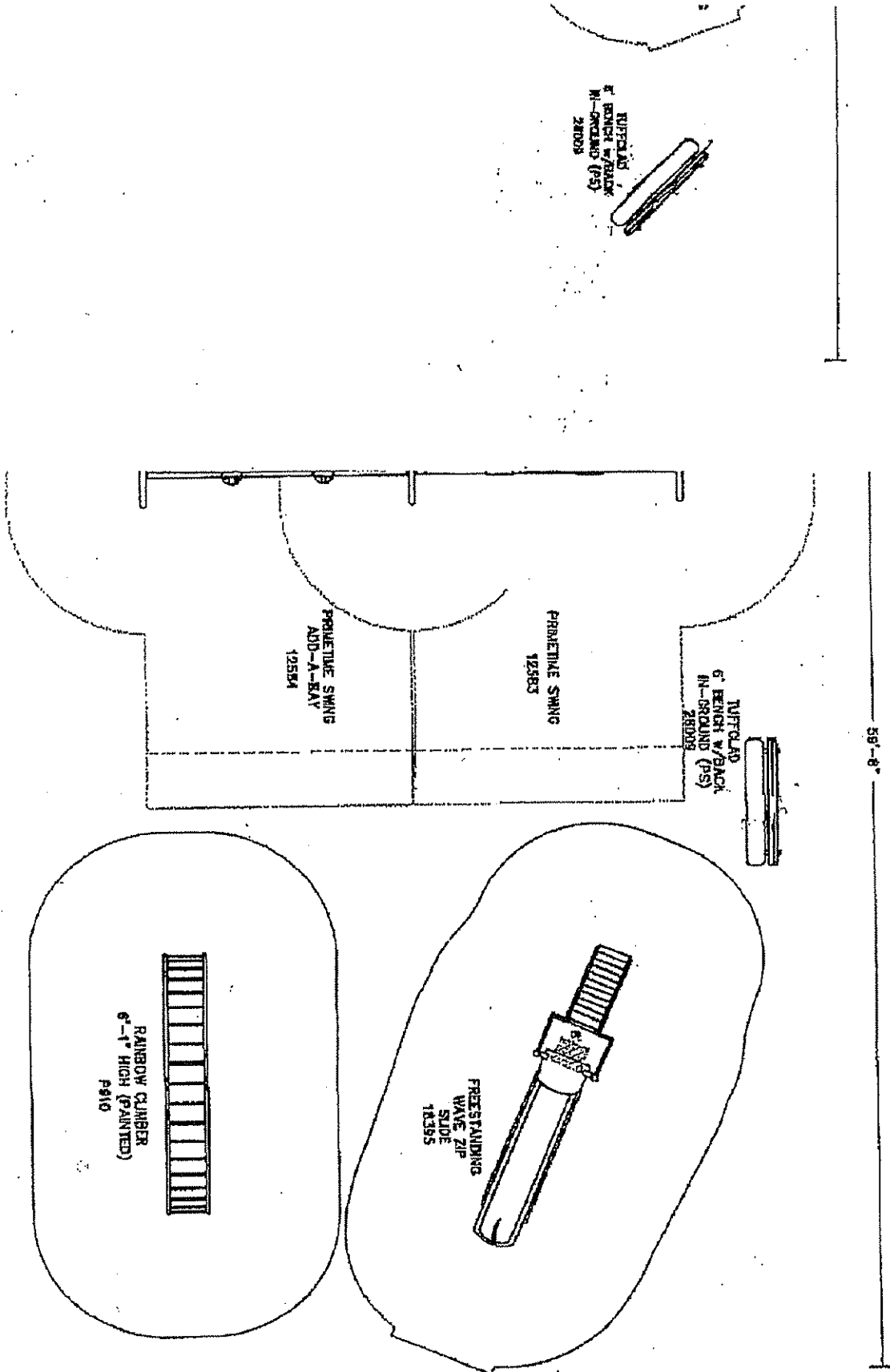


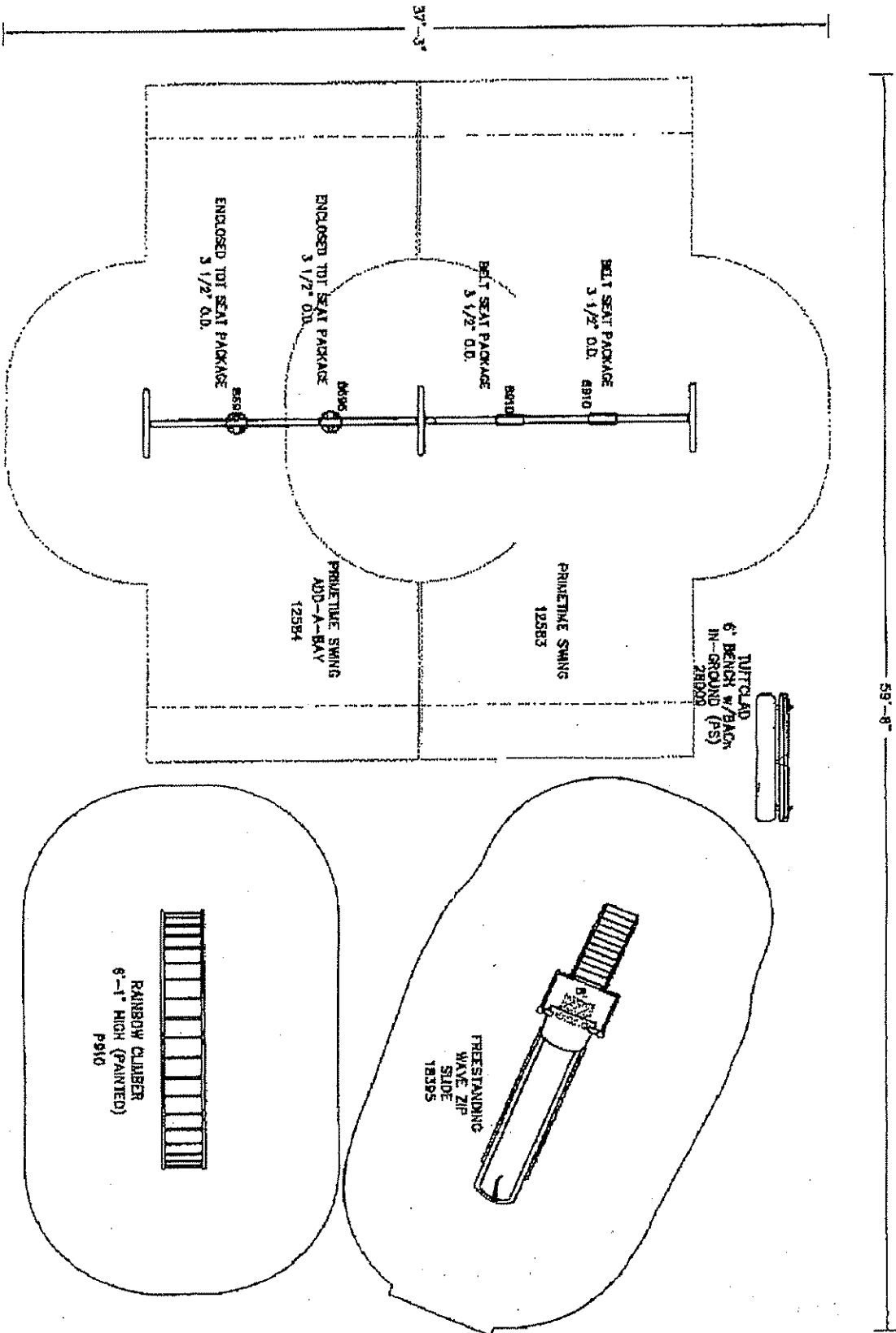
AREA 7 - UPPER CAMPGROUND

Area 8- Lower Campground



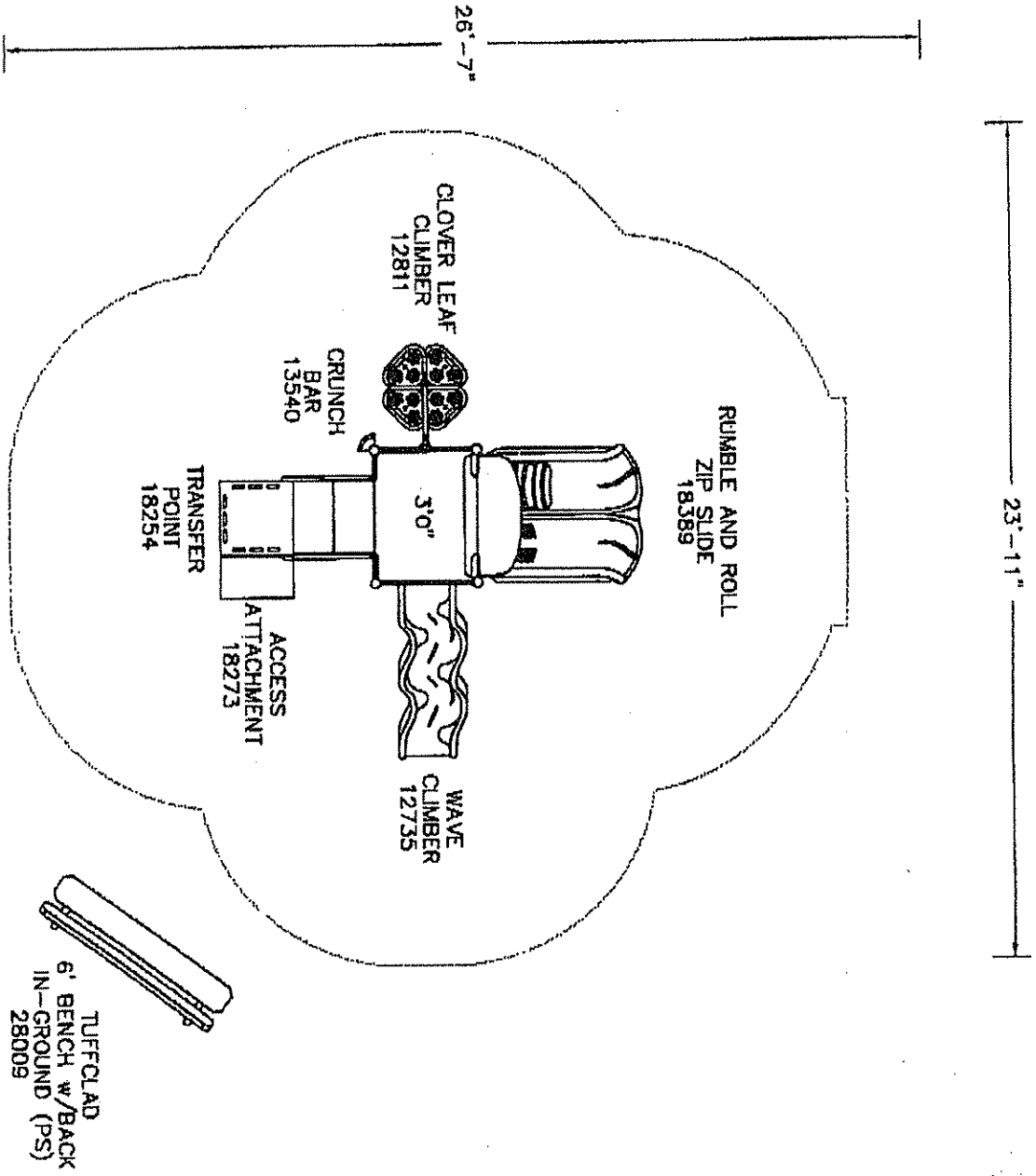
Area 9 Shelters 344





Area 9 - Shelters 344

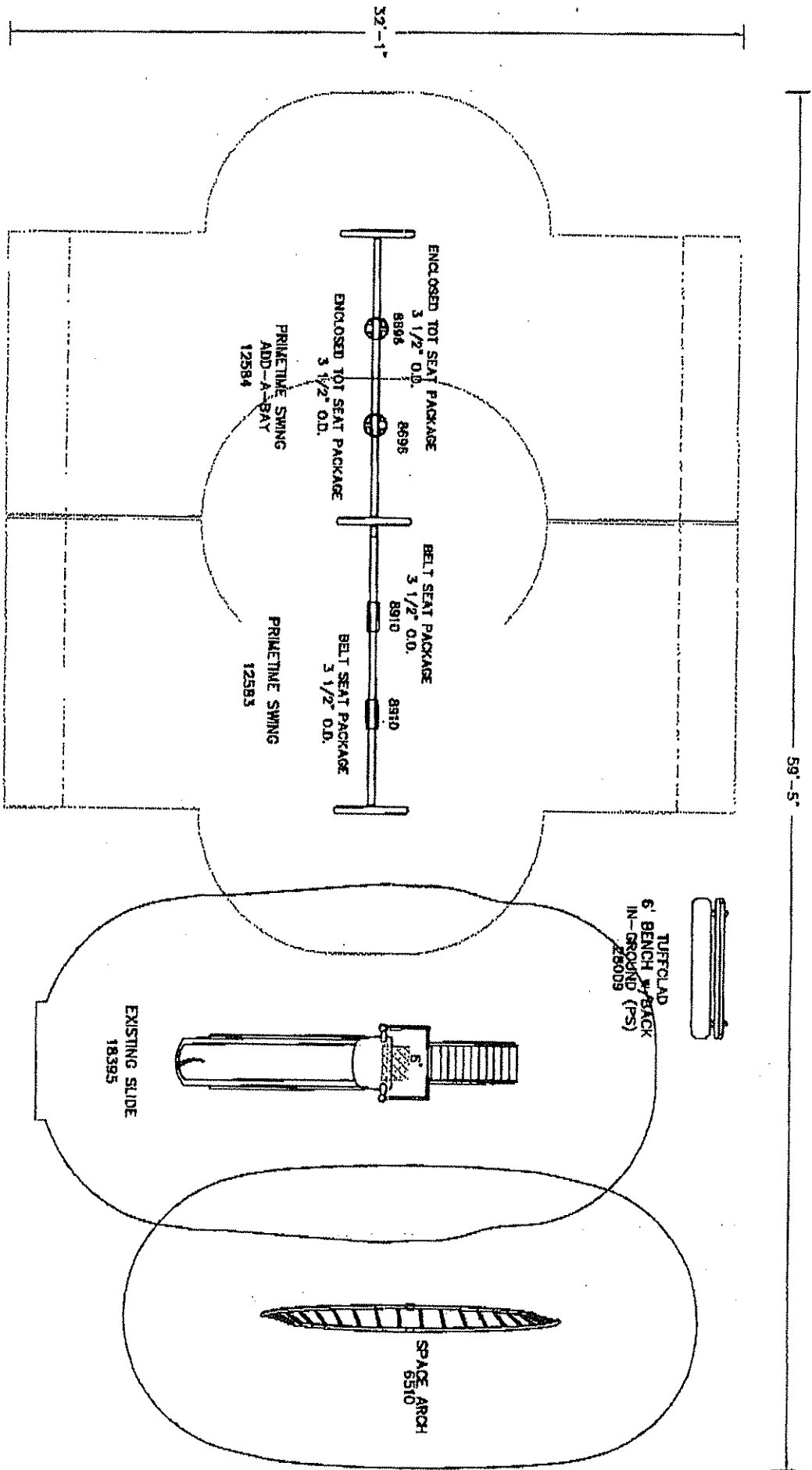
Area 9 - Between Spectors 344 and 57



AREALIO-SHERMAN 5-77

DELUXE
VOLLEYBALL
NET
VOLLEYBALL
POSTS
(PERMANENT)
758

AREA NO SHEET 5.7



BID BOND PREPARATION INSTRUCTIONS

AGENCY (A)

RFQ/RFP# (B)

Bid Bond

KNOW ALL MEN BY THESE PRESENTS, That we, the undersigned, (C) of (D), (E), as Principal, and (F) of (G), (H), a corporation organized and existing under the laws of the State of (I) with its principal office in the City of (J), as Surety, are held and firmly bound unto The State of West Virginia, as Obligee, in the penal sum of (K) (\$ (L)) for the payment of which, well and truly to be made, we jointly and severally bind ourselves, our heirs, administrators, executors, successors and assigns.

- (A) WV State Agency (Stated on Page 1 "Spending Unit") Request for Quotation Number (upper right corner of page #1)
(C) Your Company Name
(D) City, Location of your Company
(E) State, Location of your Company
(F) Surety Corporate Name
(G) City, Location of Surety
(H) State, Location of Surety
(I) State of Surety Incorporation
(J) City of Surety Incorporation
(K) Minimum amount of acceptable bid bond is 5% of total bid. You may state "5% of bid" or a specific amount on this line in words.
(L) Amount of bond in figures
(M) Brief Description of scope of work
(N) Day of the month
(O) Month
(P) Year
(Q) Name of Corporation
(R) Raised Corporate Seal of Principal
(S) Signature of President or Vice President
(T) Title of person signing
(U) Raised Corporate Seal of Surety
(V) Corporate Name of Surety
(W) Signature of Attorney in Fact of the Surety

The Condition of the above obligation is such that whereas the Principal has submitted to the Purchasing Section of the Department of Administration a certain bid or proposal, attached hereto and made a part hereof to enter into a contract in writing for (M)

NOW THEREFORE.

- (a) If said bid shall be rejected, or
(b) If said bid shall be accepted and the Principal shall enter into a

contract in accordance with the bid or proposal attached hereto and shall furnish any other bonds and insurance required by the bid or proposal, and shall in all other respects perform the agreement created by the acceptance of said bid then this obligation shall be null and void, otherwise this obligation shall remain in full force and effect. It is expressly understood and agreed that the liability of the Surety for any and all claims hereunder shall, in no event, exceed the penal amount of this obligation as herein stated

The Surety for value received, hereby stipulates and agrees that the obligations of said Surety and its bond shall be in no way impaired or affected by any extension of time within which the Obligee may accept such bid: and said Surety does hereby waive notice of any such extension.

IN WITNESS WHEREOF, Principal and Surety have hereunto set their hands and seals, and such of them as are corporations have caused their corporate seals to be affixed hereto and these presents to be signed by their proper officers, this (N) day of (O), 20 (P).

NOTE: Dated, Power of Attorney with Raised Surety Seal must accompany this bid bond.

Principal Corporate Seal (R) (U) Surety Corporate Seal (U)
By (S) (T) (W)
(Name of Principal)
(Must be President or Vice President)
Title
(Name of Surety)
Attorney-in-Fact

IMPORTANT - Surety executing bonds must be licensed in West Virginia to transact surety insurance. Raised Corporate Seals must be affixed and a Power of Attorney must be attached.

BID BOND

KNOW ALL MEN BY THESE PRESENTS, That we, the undersigned, _____
_____ of _____, _____, as Principal, and _____
_____ of _____, _____, a corporation organized and existing under the laws of the State of _____
_____ with its principal office in the City of _____, as Surety, are held and firmly bound unto the State
of West Virginia, as Obligee, in the penal sum of _____ (\$ _____) for the payment of which,
well and truly to be made, we jointly and severally bind ourselves, our heirs, administrators, executors, successors and assigns.

The Condition of the above obligation is such that whereas the Principal has submitted to the Purchasing Section of the
Department of Administration a certain bid or proposal, attached hereto and made a part hereof, to enter into a contract in writing for

NOW THEREFORE,

- (a) If said bid shall be rejected, or
- (b) If said bid shall be accepted and the Principal shall enter into a contract in accordance with the bid or proposal attached
hereto and shall furnish any other bonds and insurance required by the bid or proposal, and shall in all other respects perform the
agreement created by the acceptance of said bid, then this obligation shall be null and void, otherwise this obligation shall remain in full
force and effect. It is expressly understood and agreed that the liability of the Surety for any and all claims hereunder shall, in no event,
exceed the penal amount of this obligation as herein stated.

The Surety, for the value received, hereby stipulates and agrees that the obligations of said Surety and its bond shall be in no
way impaired or affected by any extension of the time within which the Obligee may accept such bid, and said Surety does hereby
waive notice of any such extension.

IN WITNESS WHEREOF, Principal and Surety have hereunto set their hands and seals, and such of them as are corporations
have caused their corporate seals to be affixed hereunto and these presents to be signed by their proper officers, this
_____ day of _____, 20_____.

Principal Corporate Seal

(Name of Principal)

By _____
(Must be President or
Vice President)

(Title)

Surety Corporate Seal

(Name of Surety)

Attorney-in-Fact

**IMPORTANT – Surety executing bonds must be licensed in West Virginia to transact surety insurance. Raised corporate seals
must be affixed, a power of attorney must be attached.**



State of West Virginia
DRUG FREE WORKPLACE CONFORMANCE AFFIDAVIT
West Virginia Code §21-1D-5

STATE OF _____

COUNTY OF _____, TO-WIT:

I, _____, after being first duly sworn, depose and state as follows:

- 1. I am an employee of _____; and,
(Company Name)
- 2. I do hereby attest that _____
(Company Name)

maintains a valid written drug free workplace policy and that such policy is in compliance with **West Virginia Code** §21-1D-5.

The above statements are sworn to under the penalty of perjury.

(Company Name)

By: _____

Title: _____

Date: _____

Taken, subscribed and sworn to before me this _____ day of _____.

By Commission expires _____

(Seal)

(Notary Public)

THIS AFFIDAVIT MUST BE SUBMITTED WITH THE BID IN ORDER TO COMPLY WITH WV CODE PROVISIONS. FAILURE TO INCLUDE THE AFFIDAVIT WITH THE BID SHALL RESULT IN DISQUALIFICATION OF THE BID.

STATE OF WEST VIRGINIA
Purchasing Division

PURCHASING AFFIDAVIT

VENDOR OWING A DEBT TO THE STATE:

West Virginia Code §5A-3-10a provides that: No contract or renewal of any contract may be awarded by the state or any of its political subdivisions to any vendor or prospective vendor when the vendor or prospective vendor or a related party to the vendor or prospective vendor is a debtor and the debt owed is an amount greater than one thousand dollars in the aggregate.

PUBLIC IMPROVEMENT CONTRACTS & DRUG-FREE WORKPLACE ACT:

If this is a solicitation for a public improvement construction contract, the vendor, by its signature below, affirms that it has a written plan for a drug-free workplace policy in compliance with Article 1D, Chapter 21 of the *West Virginia Code*. The vendor **must** make said affirmation with its bid submission. Further, public improvement construction contract may not be awarded to a vendor who does not have a written plan for a drug-free workplace policy in compliance with Article 1D, Chapter 21 of the *West Virginia Code* and who has not submitted that plan to the appropriate contracting authority in timely fashion. For a vendor who is a subcontractor, compliance with Section 5, Article 1D, Chapter 21 of the *West Virginia Code* may take place before their work on the public improvement is begun.

ANTITRUST:

In submitting a bid to any agency for the state of West Virginia, the bidder offers and agrees that if the bid is accepted the bidder will convey, sell, assign or transfer to the state of West Virginia all rights, title and interest in and to all causes of action it may now or hereafter acquire under the antitrust laws of the United States and the state of West Virginia for price fixing and/or unreasonable restraints of trade relating to the particular commodities or services purchased or acquired by the state of West Virginia. Such assignment shall be made and become effective at the time the purchasing agency tenders the initial payment to the bidder.

I certify that this bid is made without prior understanding, agreement, or connection with any corporation, firm, limited liability company, partnership or person or entity submitting a bid for the same materials, supplies, equipment or services and is in all respects fair and without collusion or fraud. I further certify that I am authorized to sign the certification on behalf of the bidder or this bid.

LICENSING:

Vendors must be licensed and in good standing in accordance with any and all state and local laws and requirements by any state or local agency of West Virginia, including, but not limited to, the West Virginia Secretary of State's Office, the West Virginia Tax Department, West Virginia Insurance Commission, or any other state agencies or political subdivision. Furthermore, the vendor must provide all necessary releases to obtain information to enable the Director or spending unit to verify that the vendor is licensed and in good standing with the above entities.

CONFIDENTIALITY:

The vendor agrees that he or she will not disclose to anyone, directly or indirectly, any such personally identifiable information or other confidential information gained from the agency, unless the individual who is the subject of the information consents to the disclosure in writing or the disclosure is made pursuant to the agency's policies, procedures and rules. Vendor further agrees to comply with the Confidentiality Policies and Information Security Accountability Requirements, set forth in <http://www.state.wv.us/admin/purchase/privacy/noticeConfidentiality.pdf>.

Under penalty of law for false swearing (*West Virginia Code* §61-5-3), it is hereby certified that the vendor affirms and acknowledges the information in this affidavit and is in compliance with the requirements as stated.

Vendor's Name: _____

Authorized Signature: _____ Date: _____