



State of West Virginia
 Department of Administration
 Purchasing Division
 2019 Washington Street East
 Post Office Box 50130
 Charleston, WV 25305-0130

Request for Quotation

RFQ NUMBER
 DEP13009

PAGE
 1

ADDRESS CORRESPONDENCE TO ATTENTION OF
 CHUCK BOWMAN
 304-558-2157

RFQ COPY
 TYPE NAME/ADDRESS HERE

VENDOR

SHIP TO

ENVIRONMENTAL PROTECTION
 DEPT. OF
 OFFICE OF SPECIAL RECLAMATION
 601 57TH STREET SE
 CHARLESTON, WV
 25304 304-926-0499

DATE PRINTED	TERMS OF SALE	SHIP VIA	F.O.B.	FREIGHT TERMS
09/22/2008				

BID OPENING DATE: 10/14/2008 BID OPENING TIME 01:30PM

LINE	QUANTITY	UOP	CAT NO	ITEM NUMBER	UNIT PRICE	AMOUNT
				ADDENDUM NO. 1		
				ADDENDUM ISSUED FOR THE HUNT COAL PROJECTS TO DISTRIBUTE THE PRE-BID SIGN-IN SHEET FROM THE 09/04/08 MANDATORY PRE-BID MEETING AS WELL AS THE Q/A, THE REVISED SPECIFICATIONS, AND BID SCHEDULES RESULTING FROM THAT MEETING.		
				BID DATE AND OPENING HAVE BEEN EXTENDED FROM 10/07/08 TO 10/14/08 AT 1:30 PM.		
				PLEASE NOTE- IN ACCORDANCE WITH WV CODE 21-1D-5, BIDS FOR CONSTRUCTION CONTRACTS MUST CONTAIN A SIGNED PURCHASING AFFIDAVIT WITH THE BID. FAILURE TO SUBMIT THE SIGNED PURCHASING AFFIDAVIT WITH THE BID SHALL RESULT IN DISQUALIFICATION OF THE BID.		
				***** NO OTHER CHANGES *****		
0001	1	JB		962-73		
				RECLAMATION: RESTORATION OF LAND		

SEE REVERSE SIDE FOR TERMS AND CONDITIONS

SIGNATURE	TELEPHONE	DATE
TITLE	FEIN	ADDRESS CHANGES TO BE NOTED ABOVE

WHEN RESPONDING TO RFQ, INSERT NAME AND ADDRESS IN SPACE ABOVE LABELED 'VENDOR'

**GENERAL TERMS & CONDITIONS
REQUEST FOR QUOTATION (RFQ) AND REQUEST FOR PROPOSAL (RFP)**

1. Awards will be made in the best interest of the State of West Virginia.
2. The State may accept or reject in part, or in whole, any bid.
3. All quotations are governed by the *West Virginia Code* and the *Legislative Rules* of the Purchasing Division.
4. Prior to any award, the apparent successful vendor must be properly registered with the Purchasing Division and have paid the required \$125 fee.
5. All services performed or goods delivered under State Purchase Order/Contracts are to be continued for the term of the Purchase Order/Contracts, contingent upon funds being appropriated by the Legislature or otherwise being made available. In the event funds are not appropriated or otherwise available for these services or goods, this Purchase Order/Contract becomes void and of no effect after June 30.
6. Payment may only be made after the delivery and acceptance of goods or services.
7. Interest may be paid for late payment in accordance with the *West Virginia Code*.
8. Vendor preference will be granted upon written request in accordance with the *West Virginia Code*.
9. The State of West Virginia is exempt from federal and state taxes and will not pay or reimburse such taxes.
10. The Director of Purchasing may cancel any Purchase Order/Contract upon 30 days written notice to the seller.
11. The laws of the State of West Virginia and the *Legislative Rules* of the Purchasing Division shall govern all rights and duties under the Contract, including without limitation the validity of this Purchase Order/Contract.
12. Any reference to automatic renewal is hereby deleted. The Contract may be renewed only upon mutual written agreement of the parties.
13. **BANKRUPTCY:** In the event the vendor/contractor files for bankruptcy protection, this Contract may be deemed null and void, and terminated without further order.
14. **HIPAA BUSINESS ASSOCIATE ADDENDUM:** The West Virginia State Government HIPAA Business Associate Addendum (BAA), approved by the Attorney General, and available online at the Purchasing Division's web site (<http://www.state.wv.us/admin/purchase/vrc/hipaa.htm>) is hereby made part of the agreement. Provided that, the Agency meets the definition of a Cover Entity (45 CFR §160.103) and will be disclosing Protected Health Information (45 CFR §160.103) to the vendor.
15. **WEST VIRGINIA ALCOHOL & DRUG-FREE WORKPLACE ACT:** If this Contract constitutes a public improvement construction contract as set forth in Article 1D, Chapter 21 of the West Virginia Code ("The West Virginia Alcohol and Drug-Free Workplace Act"), then the following language shall hereby become part of this Contract: "The contractor and its subcontractors shall implement and maintain a written drug-free workplace policy in compliance with the West Virginia Alcohol and Drug-Free Workplace Act, as set forth in Article 1D, Chapter 21 of the West Virginia Code. The contractor and its subcontractors shall provide a sworn statement in writing, under the penalties of perjury, that they maintain a valid drug-free work place policy in compliance with the West Virginia and Drug-Free Workplace Act. It is understood and agreed that this Contract shall be cancelled by the awarding authority if the Contractor: 1) Fails to implement its drug-free workplace policy; 2) Fails to provide information regarding implementation of the contractor's drug-free workplace policy at the request of the public authority; or 3) Provides to the public authority false information regarding the contractor's drug-free workplace policy."

INSTRUCTIONS TO BIDDERS

1. Use the quotation forms provided by the Purchasing Division.
2. **SPECIFICATIONS:** Items offered must be in compliance with the specifications. Any deviation from the specifications must be clearly indicated by the bidder. Alternates offered by the bidder as **EQUAL** to the specifications must be clearly defined. A bidder offering an alternate should attach complete specifications and literature to the bid. The Purchasing Division may waive minor deviations to specifications.
3. Complete all sections of the quotation form.
4. Unit prices shall prevail in case of discrepancy.
5. All quotations are considered F.O.B. destination unless alternate shipping terms are clearly identified in the quotation.
6. **BID SUBMISSION:** All quotations must be delivered by the bidder to the office listed below prior to the date and time of the bid opening. Failure of the bidder to deliver the quotations on time will result in bid disqualifications: Department of Administration, Purchasing Division, 2019 Washington Street East, P.O. Box 50130, Charleston, WV 25305-0130

MANDATORY PRE-BID SIGN-IN ATTENDANCE SHEET

RFQ # : DEP13009
Project: Hunt Coal

Bid Date: 10/7/08
Pre-Bid Date: 9/4/08

Name : Ann WAROWEL
Company: EASTERN ARROW
Address: PO BOX 4108
CHARLESTON WV
25364
Phone #: 304-414-0255
Fax #: 304-414-0256
Email : easternarrow
@hotmail.com

Name : Doug Vincent
Company: BREAKAWAY INC
Address: 1075 Old Turnpike Rd
Sutton WV 26601
Phone #: 765-5317
Fax #: 765-5389
Email : breakaway-inc@verizon.net

Name : DAVID H. BOWMAN
Company: GREEN MOUNTAIN CO.
Address: 511 60th STREET
CHARLESTON WV
25304
Phone #: 304-925-0253
Fax #: 304 925 9230
Email : Jody May (CALLUM)

Name : DERBICK SEARS
Company: Foster Supply
Address: PO BOX 482
SCOTT DEPOT WV 25560
Phone #: 304-553-6565
Fax #: 304-755-8280
Email : dsears@foster supply.com

Name : Robert Barnes
Company: Barnes EXC. INC.
Address: P.O. BOX 13384
Sissonville WV 25360
Phone #: 304-984-1725
Fax #: 304-984-0074
Email : Barnes EXC. @ AOL.com

Name : _____
Company: _____
Address: _____
Phone #: _____
Fax #: _____
Email : _____

Name : GEORGE FRESHKOP
Company: EAGLE EXCAVATION INC
Address: P.O. Box 218
KENNA, WV 25248
Phone #: (304) 372-4378
Fax #: (304) 372-4378
Email : (NONE)

Name : _____
Company: _____
Address: _____
Phone #: _____
Fax #: _____
Email : _____

HUNT COAL U-5071-86
ADDENDUM #1

CHANGES TO SCOPE OF WORK AND BID SCHEDULE

- 1) On page 13, Item #1, change ...“Bid Item #16”... to read ...“ bid item #15”.
- 2) On page 13, Item #4, change...“(Bid Item #6.0)”... to read ...“(Bid Item #5.0)”.
- 3) On page 13, Item #7, change ...”TWELVE INCH (12”) HDPE DR17 COLLECTION DRAIN PIPE”... to read ...”twelve inch (12”) Schedule 40 PVC Collection Drain Pipe.”
Also, in this item, add “Concrete will be re-enforced with a grid pattern of #4 rebar on twelve-inch (12”) centers, and will meet WVDOH SPEC for Class B concrete, Section 601 of WVDOH STANDARD SPECS.
- 4) On page 13, after Item #7, add Item #8, which will read “A finger drain collection system will be installed at the designated area, and discharge into V-ditch number one (#1). It will be constructed of four (4) under drains, each one being four feet (4’) by four feet (4’), twenty five feet (25’) in length, and at approximately fifteen feet (15’) intervals. The finger drains will run at a forty five (45) degree angle upslope and will be constructed with three inch (3”) clean sandstone. Each drain will have installed a perforated 8” schedule 40 PVC pipe, and will have animal guards at the end of each one. All finger drains will be wrapped in filter cloth, and will have three inches (3”) of clean sandstone on the bottom. The cost of the pipe, filter fabric, animal guards, and clean sandstone will be inclusive to the cost of the finger drains. (See attached specifications and/or plans.)
- 5) In the BID SCHEDULE, under CONVEYANCE CHANNEL, add

ITEM NO.	QUANTITY	DESCRIPTION	UNIT PRICE
13.0	LUMP SUM	FINGER DRAINS	LUMP SUM

 A revised bid schedule is attached.

- 6) Change item #12, page 14 to read... “Construct a stilling basin below the conveyance channel in the designated location. Install a concrete splash pad where the conveyance channel enters the stilling basin. The stilling basin will be lined with an HDPE “Poly-Flex liner, with a sixty (60) mill thickness or equivalent. Install two (2) eight inch (8”) HDPE DR17 decant pipes, one not perforated for the emergency overflow line to V-ditch #2, and one perforated for the intake line. One (1) four inch (4”) schedule forty (40) PVC decant pipe will be installed for the drive line. A four inch (4”) to two inch (2”) reducer will be installed in the four inch (4”) drive line before entering the Aqua-Fix unit. All will have trash racks. Install an 8” HDPE DR17 drain line, 8” intake line, and an 8” emergency overflow line. All lines will be bedded in sand. Install eight inch (8”) stainless steel knife valves, in boxes of sufficient size for easy access and operation, one (1) in the intake line and one (1) in the drain line. Install an HDPE DR17 “Y” connector just after the knife valves to join the drain line and the intake line before entering the Aqua-Fix Unit. An anchor pad will be installed for the pipes in the stilling basin, with the openings sealed so as not to leak. The cost of the anchor pad, PVC liner, splash pad, decant pipes and trash racks, 2” and 4” PVC drive lines and reducer, 8” HDPE DR17 drain/ emergency overflow/intake lines, sand, and knife valves/valve boxes will be inclusive to the cost of the stilling basin. (See attached specifications and/or plans.)

- 7) The typical,...“(STILLING BASIN/AQUA-FIX)... on page 69, will be changed to read ...“(STILLING BASIN)”. This typical, and the ones on page 70 (STILLING BASIN/TREATMENT UNIT), and on page 71 (DECANT PIPES/STILLING BASIN), were altered to reflect the changes in the scope, Item #12, page 14. Also, on page 70, typical STILLING BASIN/TREATMENT UNIT, change ...“V-DITCH #1” ...to ...“V-DITCH #2.” (New typicals are attached.)
- 8) On page 14, Item #15, change ...”stainless steel knife valves will be installed”... to read ...”stainless steel knife valves, in boxes of sufficient size for easy access and operation, will be installed”... The valve boxes will also be inclusive to the cost of Headwall Number one (#1)
- 9) On page 14, Item #16, change ...“The cost of the CMP Culverts...” to read... “The cost of the culverts”... Change Bid Item 12.1 on the Bid Schedule...“CHANNEL NUMBER THREE (#3)”...to read...“CHANNEL NUMBER THREE (#3) WITH TWO (2) TWENTY FOUR INCH (24”) HANCOR PIPES.”
- 10) On page 15, Item #21, change...“Lines must be buried at least two feet (2’) below surface”... to read ...”Lines must be buried at least two feet (2’) below surface, and bedded in sand”.
- 11) On page 15, Item #22, change typo ...“SINGLE SINCH INCH”... to read ...“SINGLE SIX INCH (6”) HDPE DR 17 pipe, all bedded in sand...”
- 12) On page 26 of the BID ITEM TECHNICAL SPECIFICATIONS, Item #13.4, change... “(Unit Type MSS-LB-OA-5)”...to read “(Unit Type MSS-LB-OA-10)”. Also change ...”A five (5) ton steel silo”...to read ...”A ten (10) ton steel silo”.
- 13) The typical on page 61, REBAR TYPICAL, is altered to show changes in rebar installation. (A new typical is attached.)
- 14) The typical, SEEP CUTOFF WALL, on page 62, is altered to show rebar will be on 12” centers instead of 8” centers. (A new typical is attached.)
- 15) The typical, GAS LINE UNDERPASS, on page 67, is altered to show V-ditch #2 instead of V-ditch #1. (A new typical is attached.)
- 16) Change the typical “V-DITCH #1 GAS LINE CROSSING” on page 68 to read “V-DITCH #2 GAS LINE CROSSING.” Also the note at the bottom reads.....“*This 25’ section”...change to read “*This 50’ section will vary in depth to a maximum of 3’ deep at the pipe.” (A new typical is attached.)
- 17) On page 69, note the change in the typical regarding anchor pad design and pond bottom. (A new typical is attached.)
- 18) Change the typical, ROAD CULVERTS, on page 74, from... “24 “CMP CULVERTS”... to read ...“24” CULVERTS.” (A new typical is attached.)

- 19) Change the typical name, CMP PIPE IN STREAM CHANNEL, on page 75, to read "60" ADS PIPE IN STREAM CHANNEL". Also change the length of the ADS pipe from 90' to 120'. (A new typical is attached.)
- 20) On the typical HEADWALL #2 AND #3, on page 76, change... "60" CMP PIPE"... to read ... "60" ADS PIPE." (A new typical is attached.)
- 21) On the typical SLUDGE DRYING CELL #3, page 81, change... "12" HDPE DR11 CONVEYANCE LINES"... to read... "6" HDPE DR17 CONVEYANCE LINES." Also change... "V-ditch #1"... to read... "V-ditch #2." (A new typical is attached.)
- 22) On the typical POND #1 CONCRETE ACCESS PAD, page 83, change... "12" HDPE DR11 PIPE"... to read ... "8" HDPE DR17 PIPE." (A new typical is attached.)
- 23) On page 84, typical DECANT PIPE ANCHOR PAD is being replaced with a new typical
- 24) On the typical PONDS 2 &3 CONCRETE ACCESS PAD, page 91, change... "12" HDPE DR11 PIPE"... to read ... "8" HDPE DR17 PIPE." (A new typical is attached.)
- 25) On the typical ACCESS ROAD/VALLEY FILL, page 96, change... "24" CMP CULVERTS"... to read... "24 INCH CULVERTS." (A new typical is attached.)
- 26) On the typical EXISTING ACCESS ROAD #3, page 97, change "EXISTING ROAD DITCH" to read "V-ditch #2." Also change note "*V-Ditch #1 and Access Road will continue to sediment ponds" to read "*V-ditch #2 and access road will continue to sediment ponds." (A new typical is attached.)
- 27) A new typical for TREATMENT UNIT FENCE, page 100, will replace the one in the package, and will be called FENCING AQUA-FIX/STILLING BASIN.
- 28) A new typical, on page 106, RESTRUCTURED STREAM CHANNEL, has been added. If needed, the stream channel above the valley fill can be restructured to a V-ditch configuration according to attached specifications. The ditch can be lined with the sandstone that is present in the stream channel.

QUESTIONS AND ANSWERS

Q. How thick is the seep collection wall?

A. It will be in the addendum. (8")

Q. What are you calling cleanout? (In reference to limestone rip-rap channel#1)

A. Precipitant in there now needs to be dressed up. There's some rock in it now. Just clean up the rock, flush and remove vegetation. Just make sure it picks up the water coming over the hill and direct it to the natural stream channel.

Q. There are no boxes included with the valves. Do we use them?

A. Yes.

Q. 5" limestone. Do we have a thickness on them? (in reference to Hancor pipe at ditch crossing)

A. Up to midway to the pipe, dirt after that.

Comment from Charlie - A construction joint will be installed on every break in the pour of the collection wall.

Q. On the seep collection wall, the size of the rebar is not given. Is it on an 8" grid or just 8" up and down?

A. There is a grid. We'll add horizontal bars and size of rebar in addendum.

Q. On the DR 17 pipe, are we going to put sand around it?

A. Yes.

Q. If we grade, do we have to hold it to a 2-1 slope?

A. If you hit solid rock, no. If it's dirt, anything we grade has to be 2-1.

Q. Are we burning all the brush?

A. Yes, burn it.

Q. Can't wind row?

A. There's nowhere to wind row.

Q. Can we shoot if we hit rock?

A. No blasting (as per Charlie).

Q. If we fill in the stream, will we have to rip-rap?

A. There's rock already there. We can use sandstone. We just have to keep the natural stream channel flowing.

Q. Where's the turnaround for the truck to fill the aqua-fix unit?

A. He will need to back up to it unless we can build a turnaround during construction.

Q. Are we going to have to rip-rap the conveyance channel?

A. No, it will be excavated down to solid rock.

Q. The ditch coming behind aqua-fix isn't addressed as a specific ditch?

A. Yes, it's V-ditch #1. V-ditch #2 starts below crossing.

Q. Is the access going to be stoned?

A. Yes.

Q. Can you get to the site from the road past the switchback (where slide was)?

A. No.

Q. Anything not in the treatment area, can we use sandstone?

A. Yes.

Q. Are we eliminating the v-ditch #1?

A. No, just where it's coming over (into new access road). Redirect down side of access road.

Q. Where do finger drains put out?

A. Into V-ditch #1.

Q. They don't get treated?

A. The water will be treated by system below.

Q. Is the road going to have cloth?

A. Yes.

Q. You just want that ditch (existing limestone rip-rap channel) cleaned out?

A. Yes.

Q. Can we pipe that (the flow from the wall)?

A. We probably could, but we want to use limestone for treatment purposes.

General question about how to get concrete to site. LT pointed out another existing road to site that may be used, but will need to be graded. It's an old haulroad, McDonald Land Co, Glen Yost.

Q. Do you have a detail about a "cold pour" for the collection wall?

A. It will be added to the addendum.

Q. How thick will stone behind collection wall be?

A. 4' above coal seam and to top of 4' wall. End walls will be 10' from coal seam.

Q. is there a detail on that?

A. Yes, on pages 59 and 60.

Q. When we dig out the old seals, can we reuse the stone?

A. Yes.

Q. What about if it's crudded up?

A. We just want to make sure the pipes are flowing, stone is ok.

Q. Does the wall have to be hammered down 1'?

A. Yes.

Q. Can we use 12" block for wall instead of poured concrete?

A. No.

Q. If we do any stream relocation, do we have to restore stream to exact dimensions?

A. We will put the stream channel dimensions in the addendum?

Q. Can we drill and shoot to make the ditches work around aqua-fix?

A. No, we won't drill and shoot. If we have to alter anything, we will do it without shooting.

WV-36 STATE OF WEST VIRGINIA
 REV. 1/29/02 PURCHASING CONTINUATION SHEET
 VENDOR:

ITEM NO.	QUANTITY	DESCRIPTION	UNIT PRICE	AMOUNT
REVISED BID SCHEDULE				
PERMIT NAME: <u>HUNT COAL</u>				
PERMIT NUMBER(S): <u>U-5071-86</u>				
WATER QUALITY ABATEMENT				
The DEP reserves the right to request additional information and supporting documentation regarding unit prices when the unit price appears to be unreasonable.				
1.0	LUMP SUM	<u>MOBILIZATION/DEMOBILIZATION</u> (5% Total Bid Maximum for this permit)	LUMP SUM	\$ _____
2.0	LUMP SUM	<u>SPILL CONTAINMENT AREA (S.C.A.)</u> (\$1,000.00 Maximum Bid for this permit)	LUMP SUM	\$ _____
3.0	LUMP SUM	<u>REGRADING AND TOPSOIL</u>	LUMP SUM	\$ _____
4.0		<u>REVEGETATION</u>		
4.1	LUMP SUM	<u>AGRICULTURAL LIME</u>	LUMP SUM	\$ _____
4.2	LUMP SUM	<u>FERTILIZER</u>	LUMP SUM	\$ _____
4.3	LUMP SUM	<u>MULCH</u>	LUMP SUM	\$ _____
4.4	LUMP SUM	<u>VEGETATIVE SPECIES</u>	LUMP SUM	\$ _____
5.0	LUMP SUM	<u>CONSTRUCTION STAKEOUT</u> (Limited to 5% Total Bid For This Permit.)	LUMP SUM	\$ _____
6.0		<u>WATER TREATMENT PONDS</u>		
6.1	LUMP SUM	<u>STILLING BASIN, ANCHOR PAD</u>	LUMP SUM	\$ _____
6.2	LUMP SUM	<u>POND #1</u>	LUMP SUM	\$ _____
6.3	LUMP SUM	<u>POND #2</u>	LUMP SUM	\$ _____
6.4	LUMP SUM	<u>POND #3</u>	LUMP SUM	\$ _____
6.5	LUMP SUM	<u>HEADWALL #1</u>	LUMP SUM	\$ _____

WV-36 STATE OF WEST VIRGINIA
 REV. 1/29/02 PURCHASING CONTINUATION SHEET
 VENDOR:

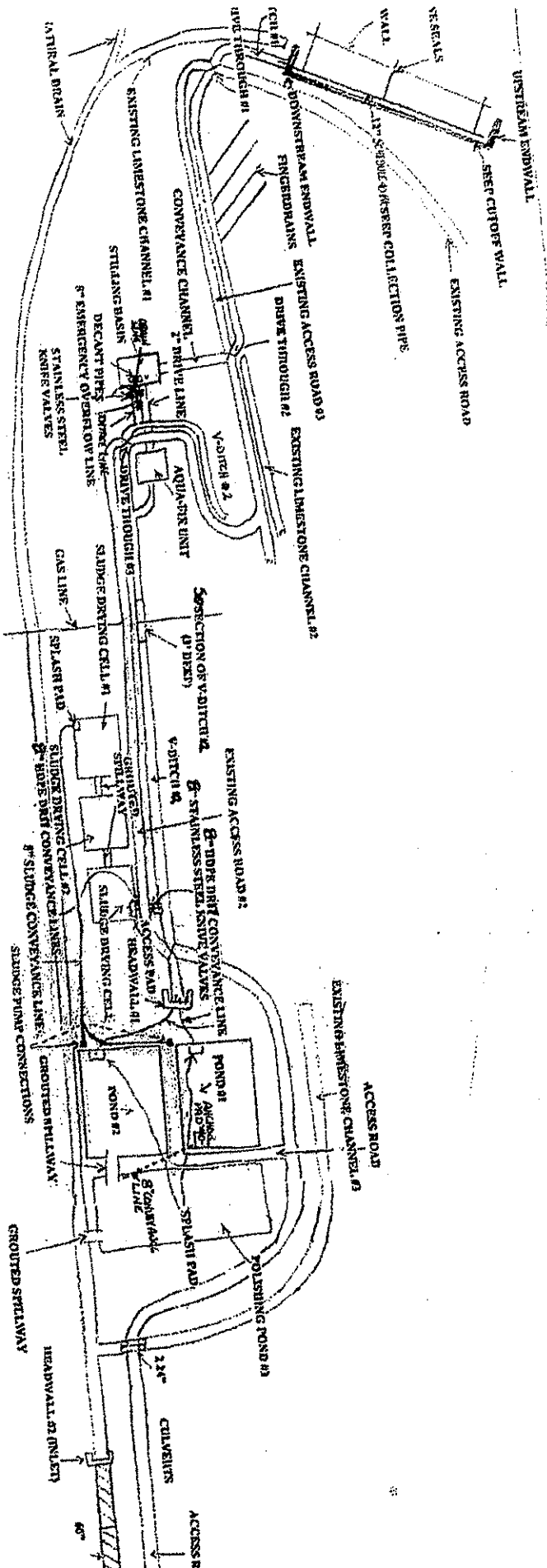
ITEM NO.	QUANTITY	DESCRIPTION	UNIT PRICE	AMOUNT
7.0	1000 LF	<u>HAYBALE DIKE</u> (Max. bid \$5.00 per LF)	\$ _____	\$ _____
			PER LF	
8.0		<u>CULVERTS</u>		
8.1	LUMP SUM	<u>ADS PIPE</u>	LUMP SUM	\$ _____
9.0	LUMP SUM	<u>STRUCTURE AND/OR DEBRIS REMOVAL</u>	LUMP SUM	\$ _____
10.0	NO BID ITEM	<u>UTILITIES</u>	NO BID ITEM	
11.0	LUMP SUM	<u>DEEP MINE SEAL</u> (Wet Type (Acid producing seam))	LUMP SUM	\$ _____
12.0		<u>OPEN LIMESTONE CHANNELS</u>		
12.1	LUMP SUM	<u>CHANNEL NUMBER THREE (#3) WITH TWO (2) TWENTYFOUR INCH (24") HANCOR PIPES</u>	LUMP SUM	\$ _____
12.2	LUMP SUM	<u>CHANNEL NUMBER ONE (#1)</u>	LUMP SUM	\$ _____
12.3	LUMP SUM	<u>V-DITCH #1</u>	LUMP SUM	\$ _____
12.4	LUMP SUM	<u>V-DITCH #2</u>	LUMP SUM	\$ _____
12.5	LUMP SUM	<u>CONVEYANCE CHANNEL</u>	LUMP SUM	\$ _____
13.0	LUMP SUM	<u>FINGER DRAINS</u>	LUMP SUM	\$ _____
14.0		<u>AQUA-FIX TREATMENT FACILITY</u>		
14.1	LUMP SUM	<u>FOUNDATION AND STRUCTURAL ELEMENTS</u>	LUMP SUM	\$ _____
14.2	LUMP SUM	<u>SUB-FOUNDATION PREP</u>	LUMP SUM	\$ _____
14.3	LUMP SUM	<u>CRANE</u>	LUMP SUM	\$ _____
14.4	LUMP SUM	<u>DOSING UNIT AND SILO</u>	LUMP SUM	\$ _____
14.5	LUMP SUM	<u>WATER INTAKE LINE TO DRIVE UNIT</u>	LUMP SUM	\$ _____

WV-36 STATE OF WEST VIRGINIA
 REV. 1/29/02 PURCHASING CONTINUATION SHEET
 VENDOR:

ITEM NO.	QUANTITY	DESCRIPTION	UNIT PRICE	AMOUNT
15.0		<u>MINE SEEP COLLECTION AND CONVEYANCE</u>		
15.1	LUMP SUM	<u>MINE SEEP COLLECTION SYSTEM (at mine seal)</u>	LUMP SUM	\$ _____
16.0		<u>TREATMENT SITE ROADWAYS</u>		
16.1	LUMP SUM	<u>CONSTRUCT ACCESS ROAD #1 AND DRIVE THROUGH</u>	LUMP SUM	\$ _____
16.2	LUMP SUM	<u>RECONSTRUCT EXISTING ACCESS ROAD #2</u>	LUMP SUM	\$ _____
16.3	LUMP SUM	<u>RECONSTRUCT EXISTING ACCESS ROAD #3, THREE (3) LOW WATER CROSSING</u>	LUMP SUM	\$ _____
17.0		<u>SLUDGE DRYING CELLS</u>		
17.1	LUMP SUM	<u>CELL #1,</u>	LUMP SUM	\$ _____
17.2	LUMP SUM	<u>CELL #2,</u>	LUMP SUM	\$ _____
17.3	LUMP SUM	<u>CELL #3</u>	LUMP SUM	\$ _____
18.0		<u>CONVEYANCE LINE</u>		
18.1	LUMP SUM	<u>SLUDGE CONVEYANCE LINE FROM PONDS #1, #2, #3</u>	LUMP SUM	\$ _____
19.0	LUMP SUM	<u>FENCING/GATES</u>	LUMP SUM	\$ _____
		<u>TOTAL FOR PERMIT U-5071-86</u>		\$ _____

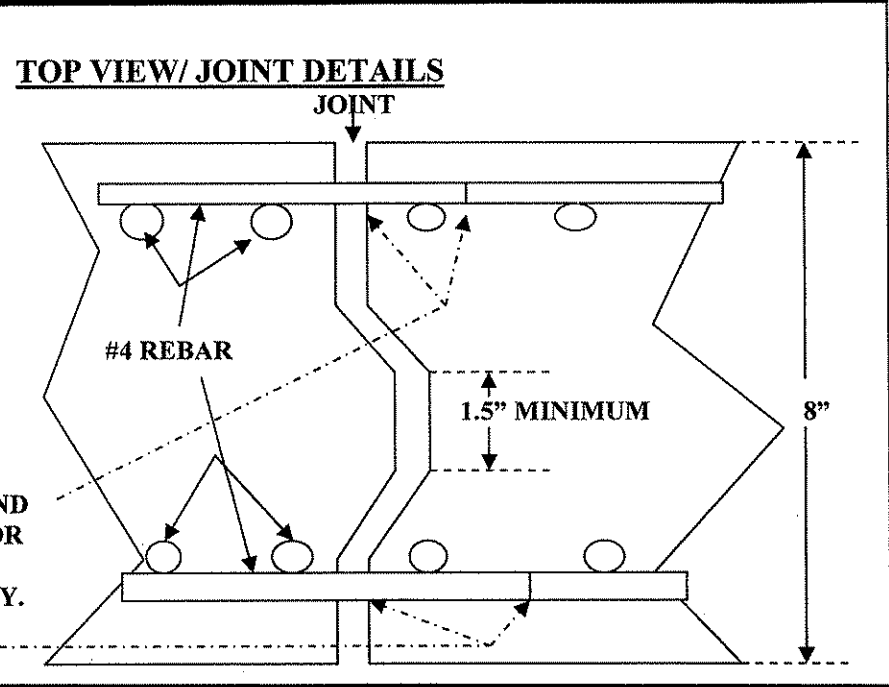
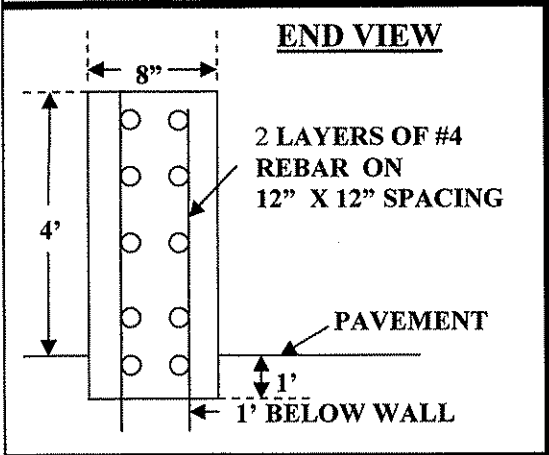
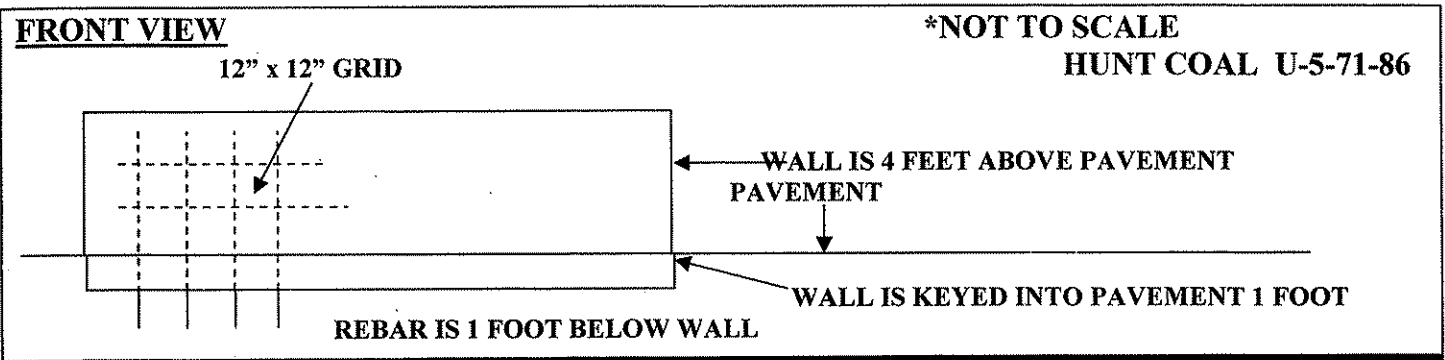
WEST VIRGINIA DEPARTMENT OF ENVIRONMENTAL PROTECTION / OFFICE OF SPECIAL RECLAMATION

SITE PLAN HUNT COAL U-5071-8

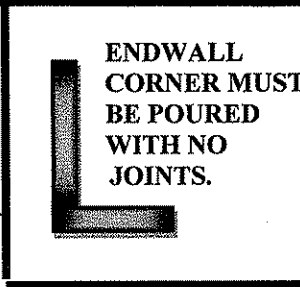
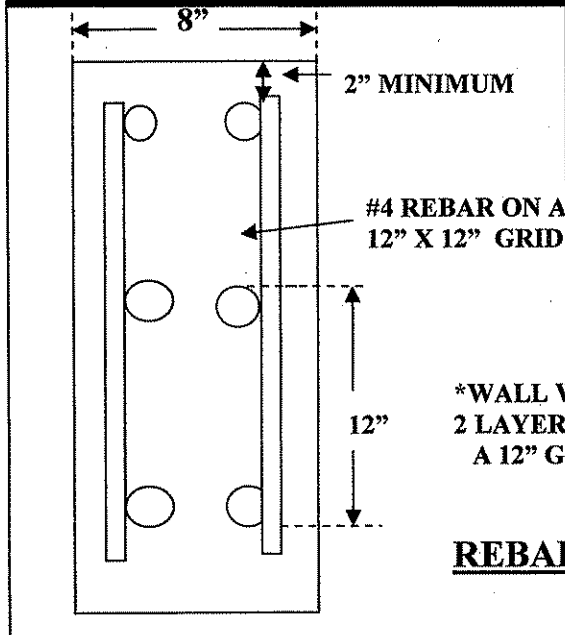


WV-36a STATE OF WEST VIRGINIA
REV. 1/29/02 PURCHASING CONTINUATION SHEET
VENDOR:

BUYER CB-23	PAGE 61	REQ. OR PO NO DEP.13009
SPENDING UNIT WEST VIRGINIA DEPARTMENT OF ENVIRONMENTAL PROTECTION / OFFICE OF SPECIAL RECLAMATION		

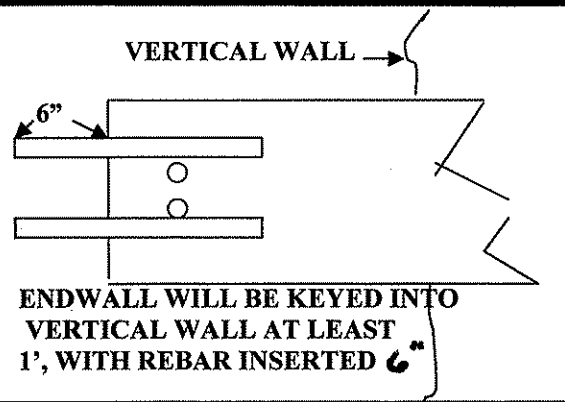


*REBAR WILL EXTEND BEYOND END OF JOINT TO ALLOW FOR SPLICING OF REBAR AND TO PROVIDE REBAR CONTINUITY.



*WALL WILL HAVE 2 LAYERS OF #4 REBAR ON A 12" GRID.

REBAR DETAILS

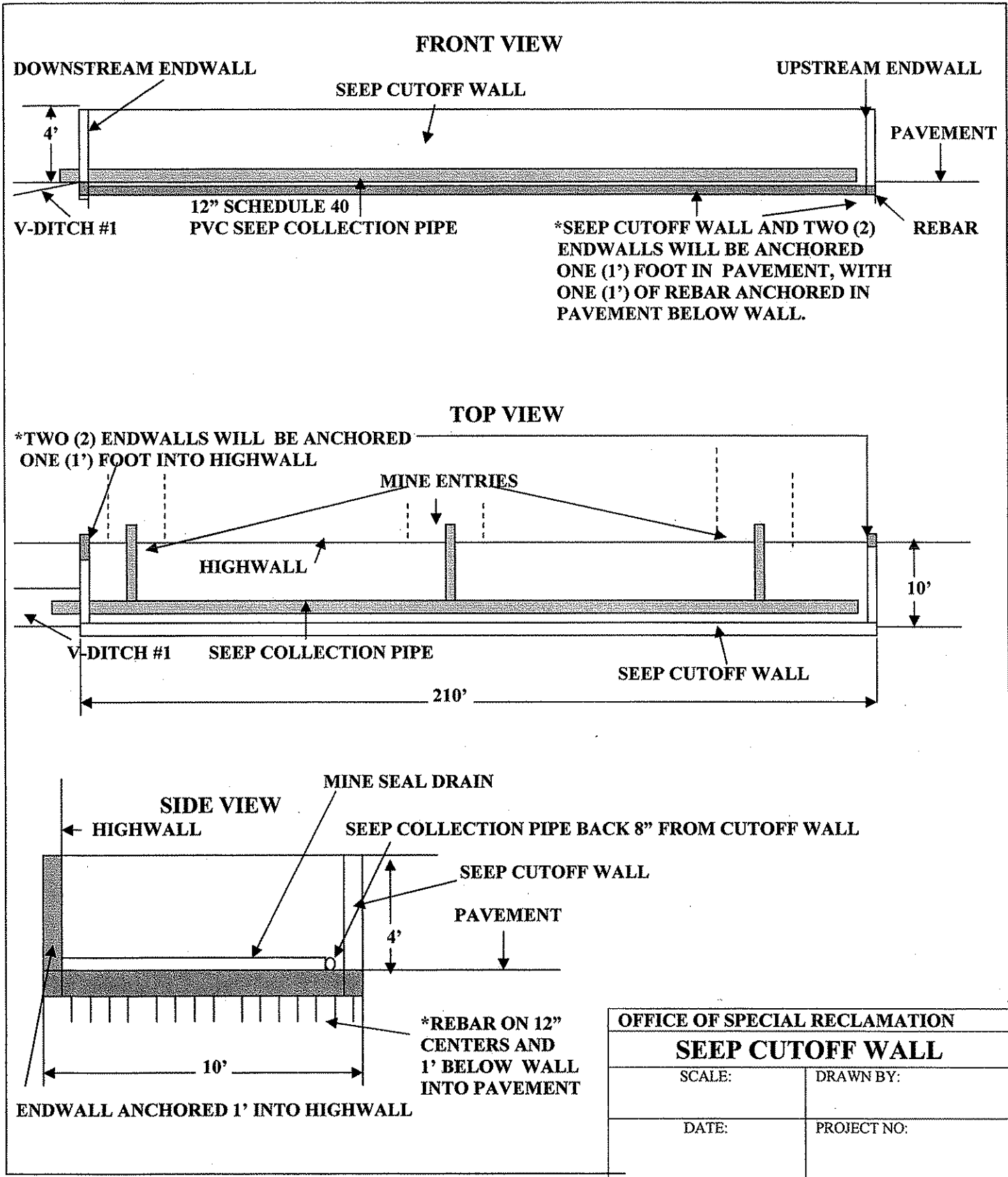


OFFICE OF SPECIAL RECLAMATION	
WALL AND ENDWALL TYPICALS	
SCALE:	DRAWN BY:
DATE:	PROJECT

WV-36a STATE OF WEST VIRGINIA
REV. 1/29/02 PURCHASING CONTINUATION SHEET
VENDOR:

BUYER CB-23	PAGE 62	REQ. OR PO NO DEP.13009
----------------	------------	----------------------------

SPENDING UNIT
WEST VIRGINIA DEPARTMENT OF ENVIRONMENTAL
PROTECTION / OFFICE OF SPECIAL RECLAMATION

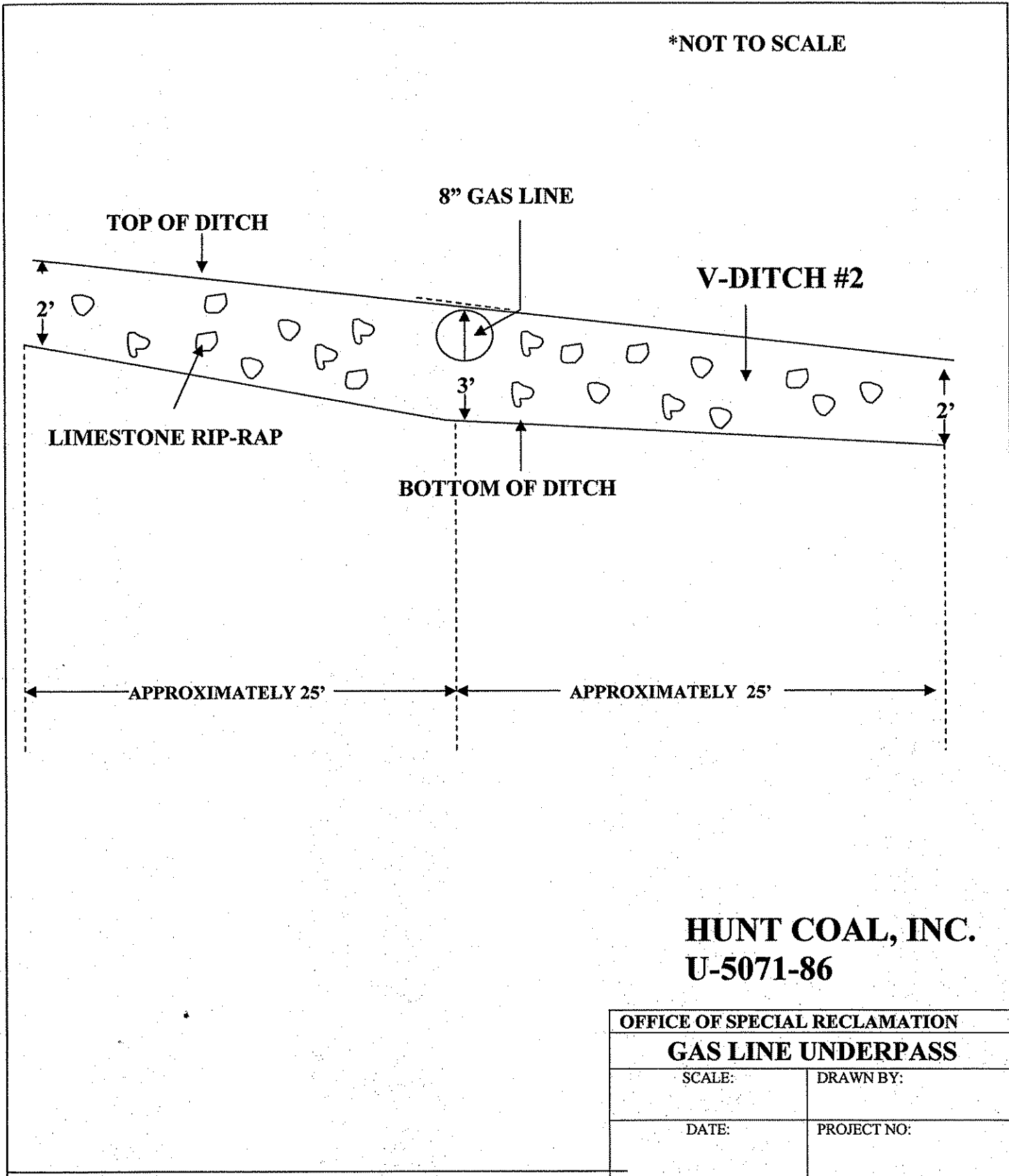


OFFICE OF SPECIAL RECLAMATION	
SEEP CUTOFF WALL	
SCALE:	DRAWN BY:
DATE:	PROJECT NO:

WV-36a STATE OF WEST VIRGINIA
REV. 1/29/02 PURCHASING CONTINUATION SHEET
VENDOR:

BUYER CB-23	PAGE 67	REQ. OR PO NO DEP.13009
SPENDING UNIT WEST VIRGINIA DEPARTMENT OF ENVIRONMENTAL PROTECTION / OFFICE OF SPECIAL RECLAMATION		

***NOT TO SCALE**

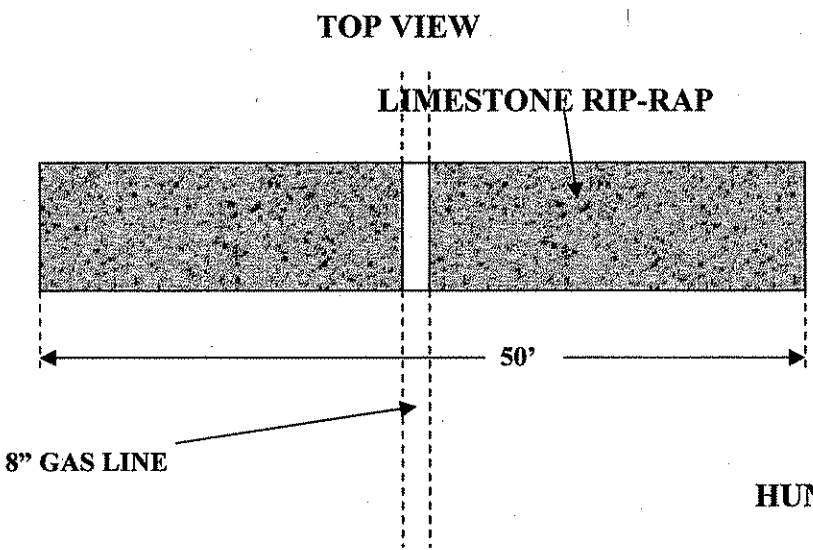
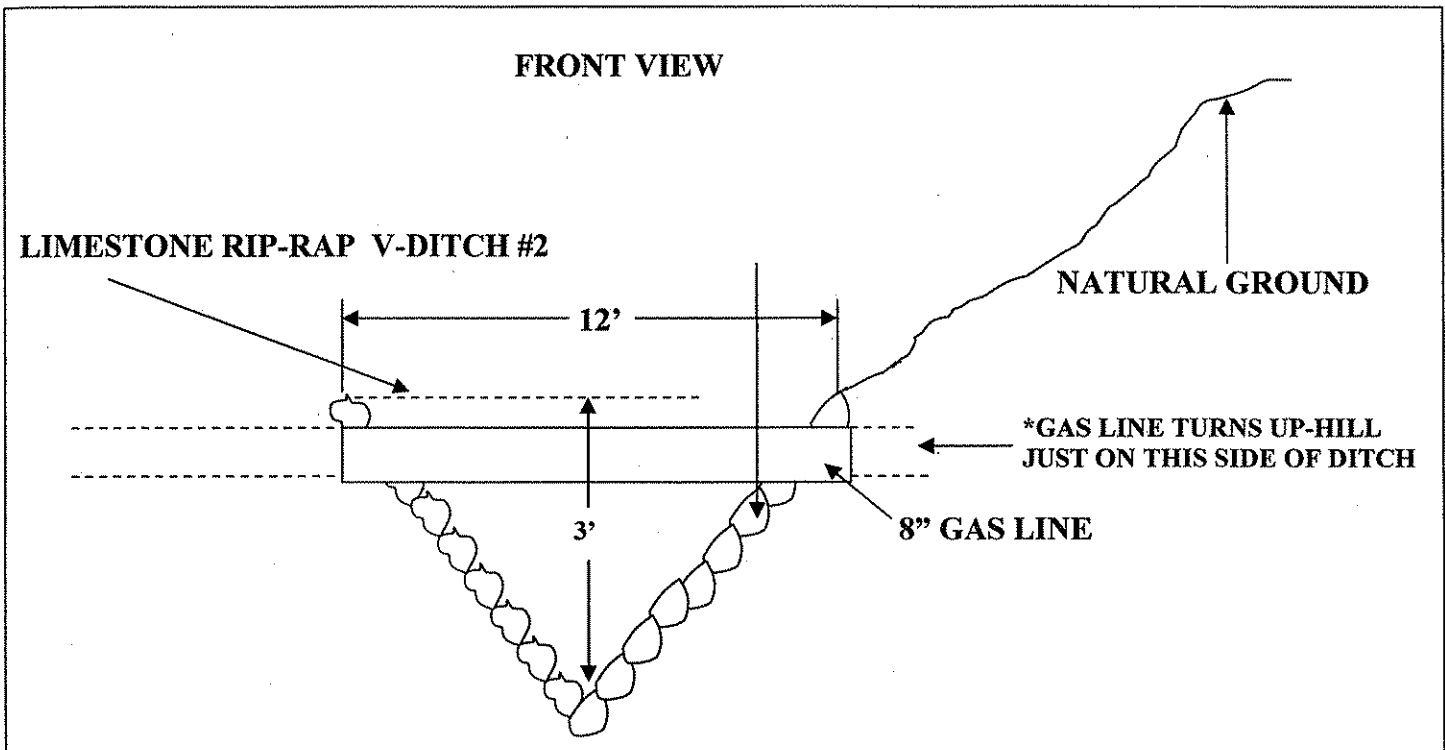


HUNT COAL, INC.
U-5071-86

OFFICE OF SPECIAL RECLAMATION	
GAS LINE UNDERPASS	
SCALE:	DRAWN BY:
DATE:	PROJECT NO:

WV-36a STATE OF WEST VIRGINIA
REV. 1/29/02 PURCHASING CONTINUATION SHEET
VENDOR:

BUYER CB-23	PAGE 68	REQ. OR PO NO DEP.13009
SPENDING UNIT WEST VIRGINIA DEPARTMENT OF ENVIRONMENTAL PROTECTION / OFFICE OF SPECIAL RECLAMATION		



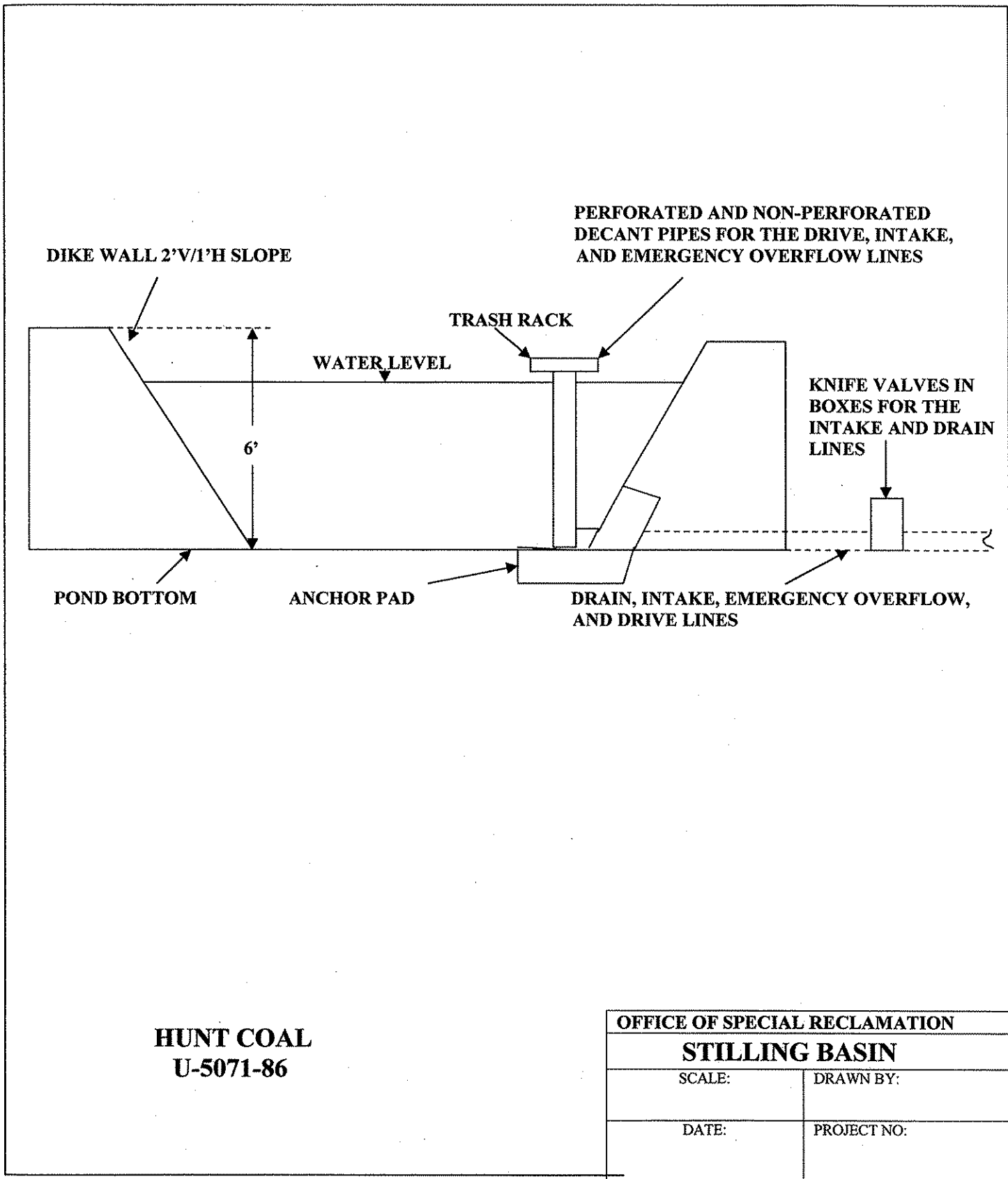
HUNT COAL, INC.
U-5071-86

*THIS 50' SECTION OF V-DITCH WILL BE THREE (3') FEET AT MAXIMUM DEPTH TO ALLOW FLOW UNDERNEATH THE GAS LINE, THUS THE DIFFERENCE IN SCALE FROM V-DITCH #2.

OFFICE OF SPECIAL RECLAMATION	
V-DITCH #2 GAS LINE CROSSING	
SCALE:	DRAWN BY:
DATE:	PROJECT NO:

WV-36a STATE OF WEST VIRGINIA
REV. 1/29/02 PURCHASING CONTINUATION SHEET
VENDOR:

BUYER CB-23	PAGE 69	REQ. OR PO NO DEP.13009
SPENDING UNIT WEST VIRGINIA DEPARTMENT OF ENVIRONMENTAL PROTECTION / OFFICE OF SPECIAL RECLAMATION		



DIKE WALL 2'V/1'H SLOPE

PERFORATED AND NON-PERFORATED
DECANT PIPES FOR THE DRIVE, INTAKE,
AND EMERGENCY OVERFLOW LINES

TRASH RACK

WATER LEVEL

KNIFE VALVES IN
BOXES FOR THE
INTAKE AND DRAIN
LINES

6'

POND BOTTOM

ANCHOR PAD

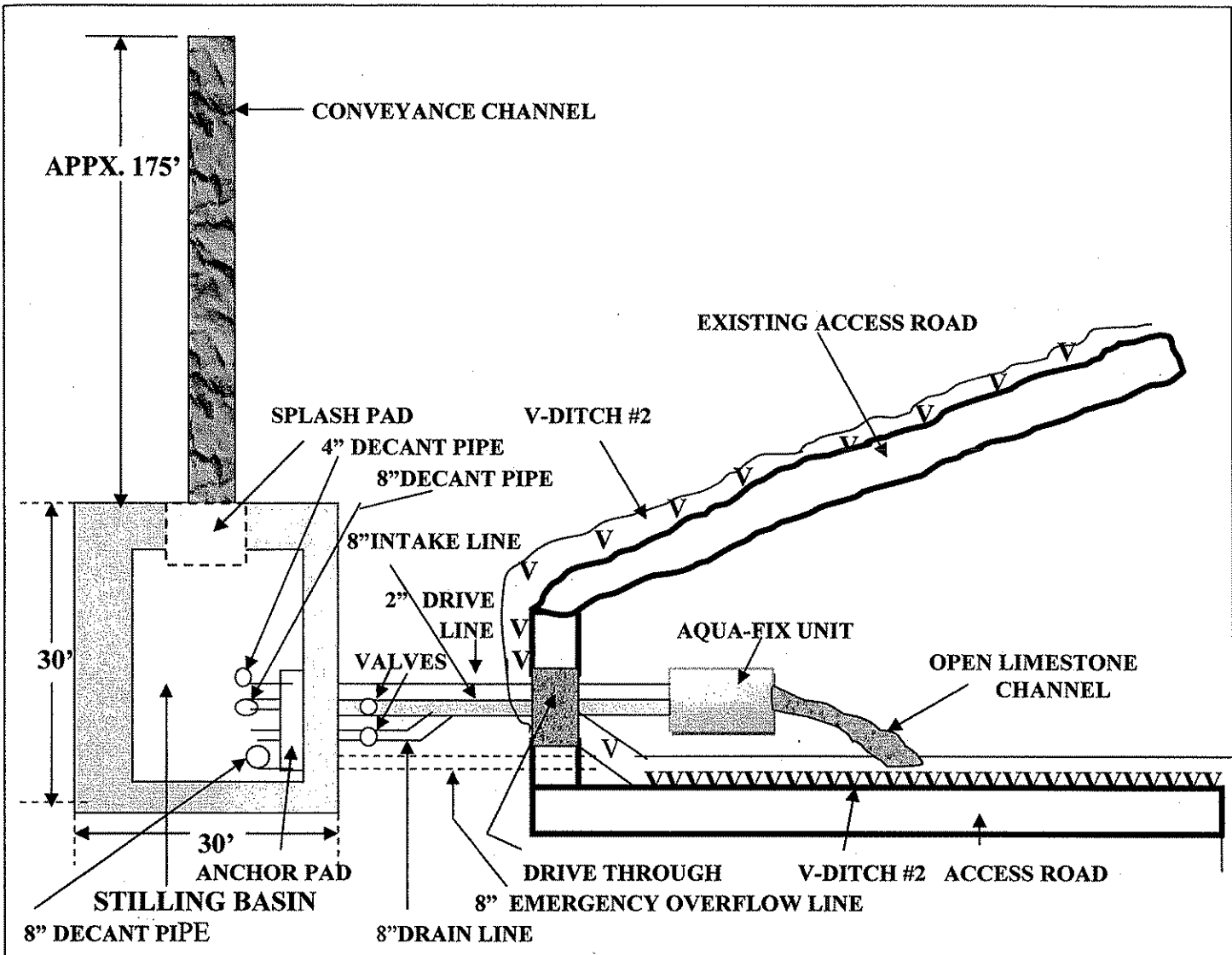
DRAIN, INTAKE, EMERGENCY OVERFLOW,
AND DRIVE LINES

HUNT COAL
U-5071-86

OFFICE OF SPECIAL RECLAMATION	
STILLING BASIN	
SCALE:	DRAWN BY:
DATE:	PROJECT NO:

WV-36a STATE OF WEST VIRGINIA
REV. 1/29/02 PURCHASING CONTINUATION SHEET
VENDOR:

BUYER CB-23	PAGE 70	REQ. OR PO NO DEP.13009
SPENDING UNIT WEST VIRGINIA DEPARTMENT OF ENVIRONMENTAL PROTECTION / OFFICE OF SPECIAL RECLAMATION		

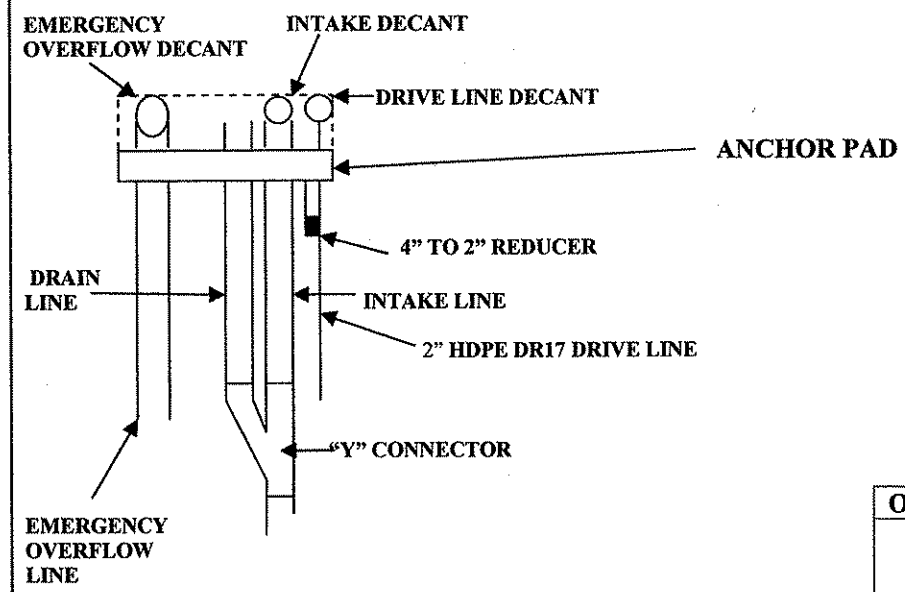
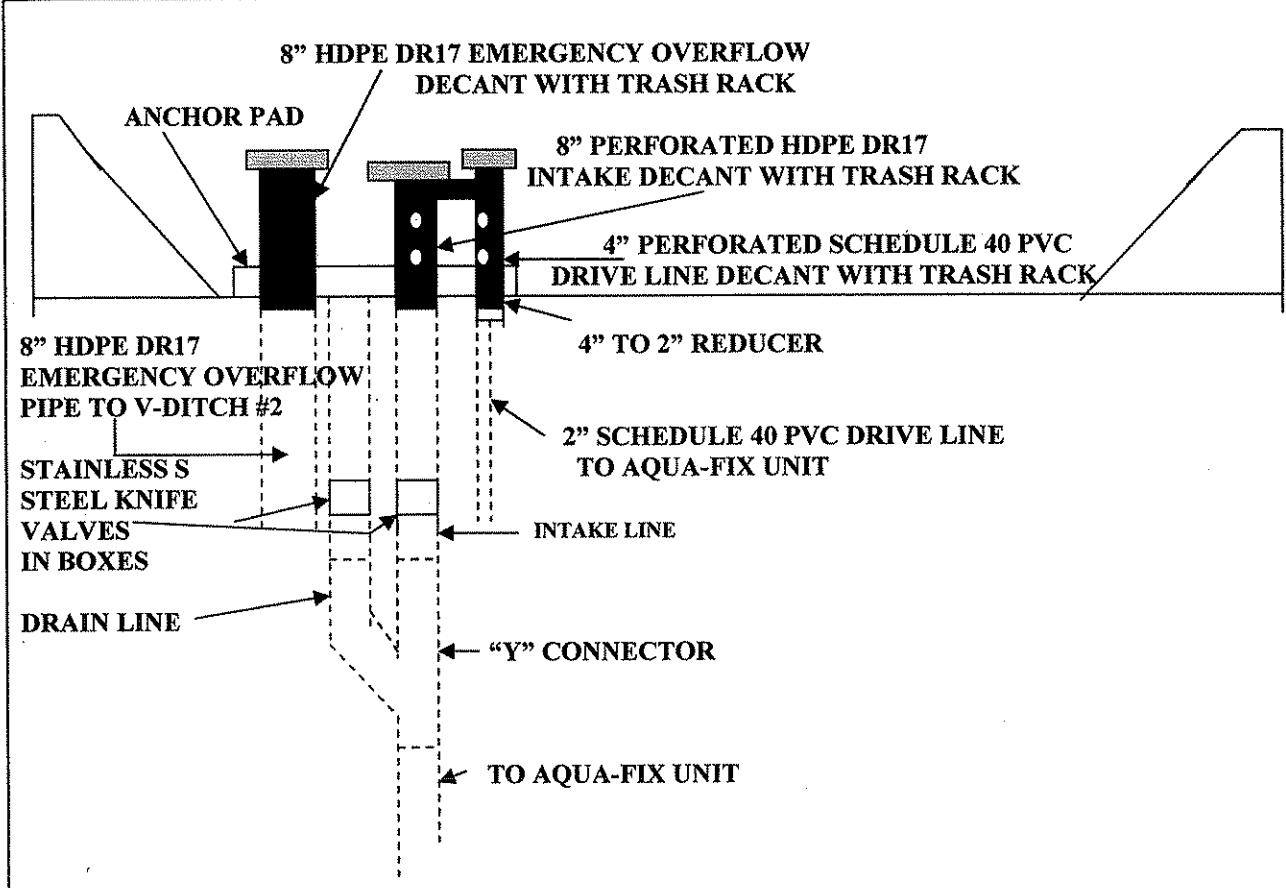


**HUNT COAL
U-5071-86**

OFFICE OF SPECIAL RECLAMATION STILLING BASIN/TREATMENT UNIT	
SCALE:	DRAWN BY:
DATE:	PROJECT NO:

WV-36a STATE OF WEST VIRGINIA
REV. 1/29/02 PURCHASING CONTINUATION SHEET
VENDOR:

BUYER CB-23	PAGE 71	REQ. OR PO NO DEP.13009
SPENDING UNIT WEST VIRGINIA DEPARTMENT OF ENVIRONMENTAL PROTECTION / OFFICE OF SPECIAL RECLAMATION		



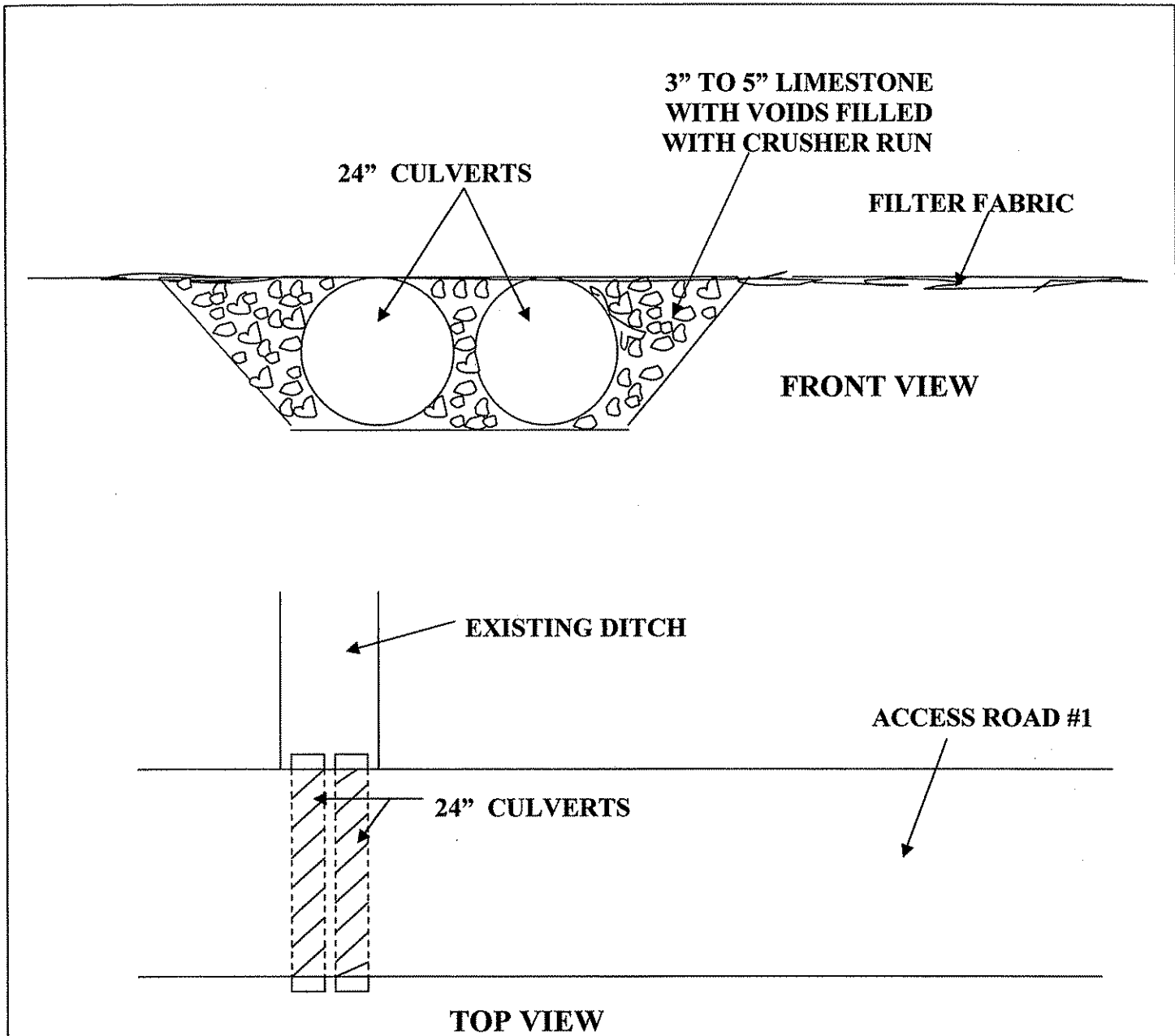
*NOT TO SCALE

**HUNT COAL
U-5071-86**

OFFICE OF SPECIAL RECLAMATION	
DECANT PIPES/STILLING BASIN	
SCALE:	DRAWN BY:
DATE:	PROJECT NO:

WV-36a STATE OF WEST VIRGINIA
REV. 1/29/02 PURCHASING CONTINUATION SHEET
VENDOR:

BUYER CB-23	PAGE 74	REQ. OR PO NO DEP.13009
SPENDING UNIT WEST VIRGINIA DEPARTMENT OF ENVIRONMENTAL PROTECTION / OFFICE OF SPECIAL RECLAMATION		

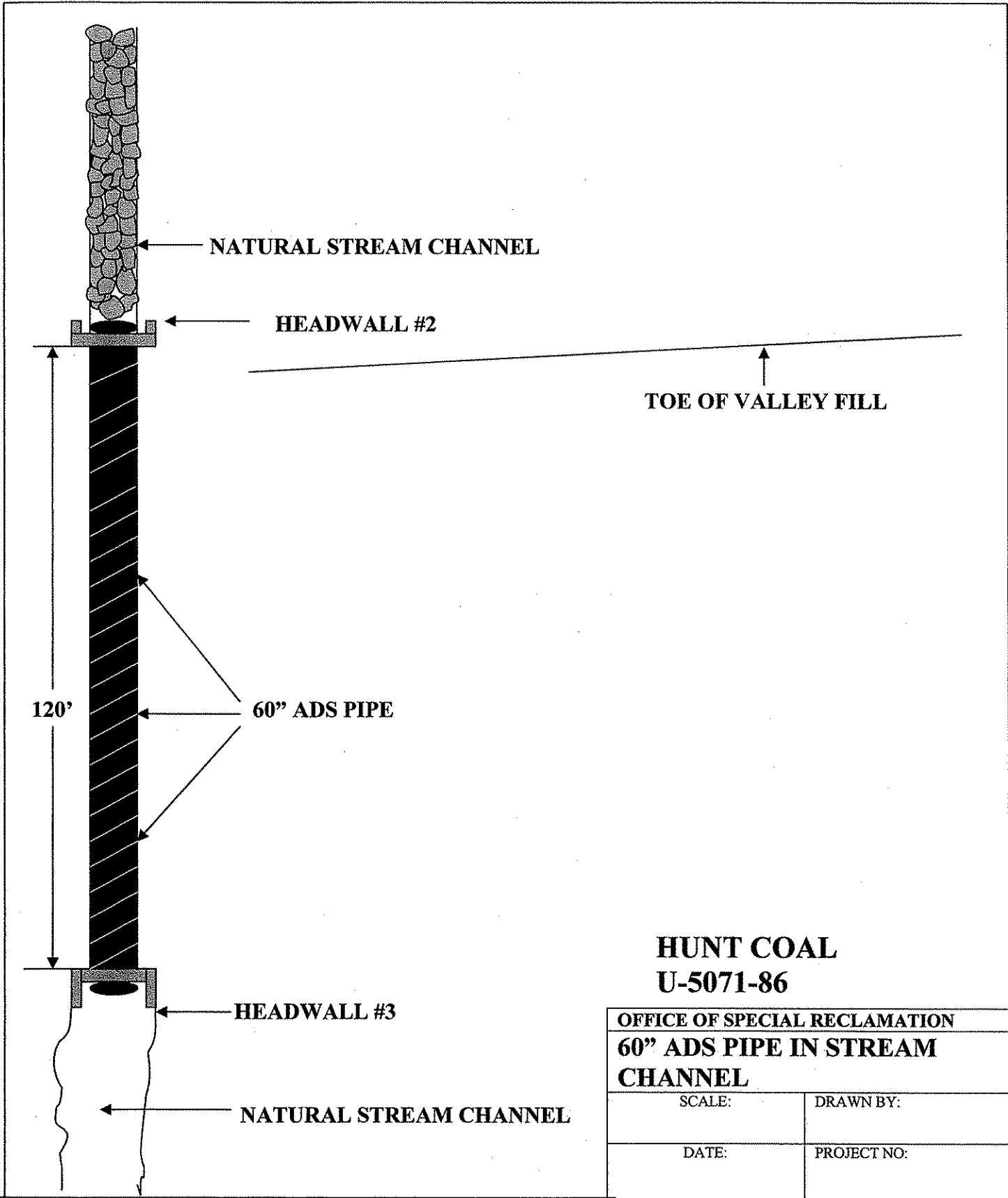


HUNT COAL, INC.
U-5071-86

OFFICE OF SPECIAL RECLAMATION	
ROAD CULVERTS	
SCALE:	DRAWN BY:
DATE:	PROJECT NO:

WV-36a STATE OF WEST VIRGINIA
REV. 1/29/02 PURCHASING CONTINUATION SHEET
VENDOR:

BUYER CB-23	PAGE 75	REQ. OR PO NO DEP.13009
SPENDING UNIT WEST VIRGINIA DEPARTMENT OF ENVIRONMENTAL PROTECTION / OFFICE OF SPECIAL RECLAMATION		

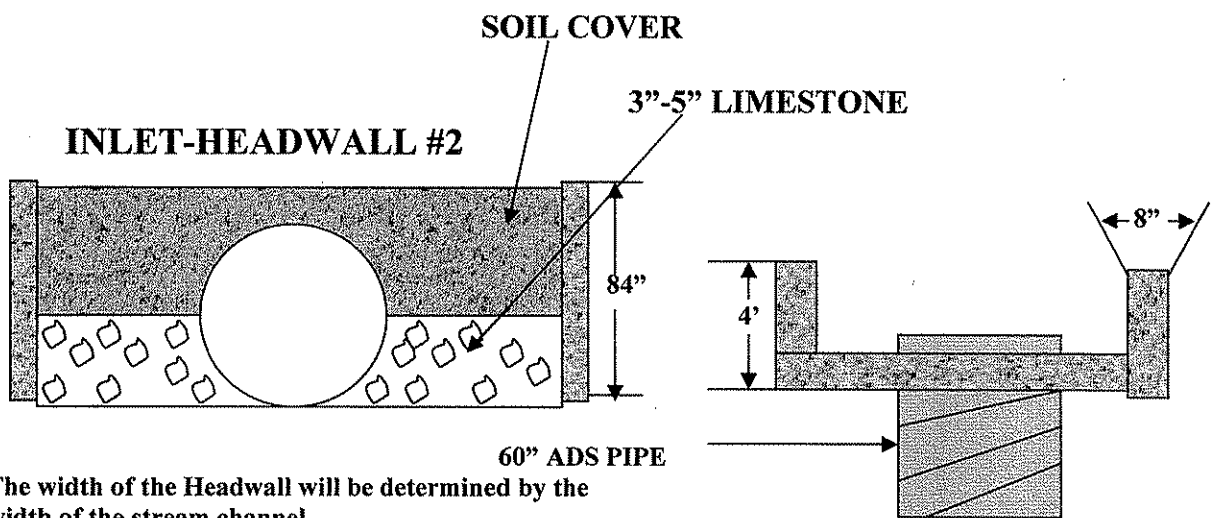


**HUNT COAL
U-5071-86**

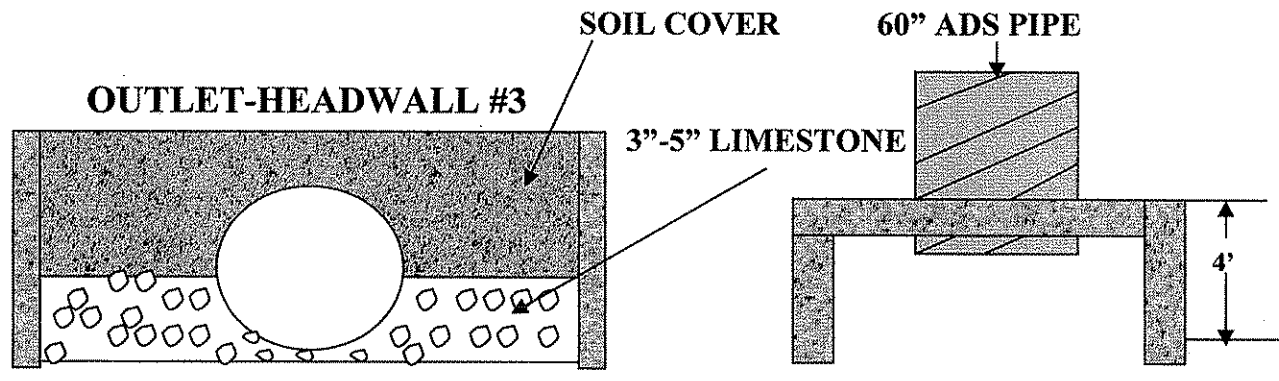
OFFICE OF SPECIAL RECLAMATION	
60" ADS PIPE IN STREAM CHANNEL	
SCALE:	DRAWN BY:
DATE:	PROJECT NO:

WV-36a STATE OF WEST VIRGINIA
REV. 1/29/02 PURCHASING CONTINUATION SHEET
VENDOR:

BUYER CB-23	PAGE 76	REQ. OR PO NO DEP.13009
SPENDING UNIT WEST VIRGINIA DEPARTMENT OF ENVIRONMENTAL PROTECTION / OFFICE OF SPECIAL RECLAMATION		



*The width of the Headwall will be determined by the width of the stream channel.



*The width of the Headwall will be determined by the width of the stream channel.

HUNT COAL U-5071-86

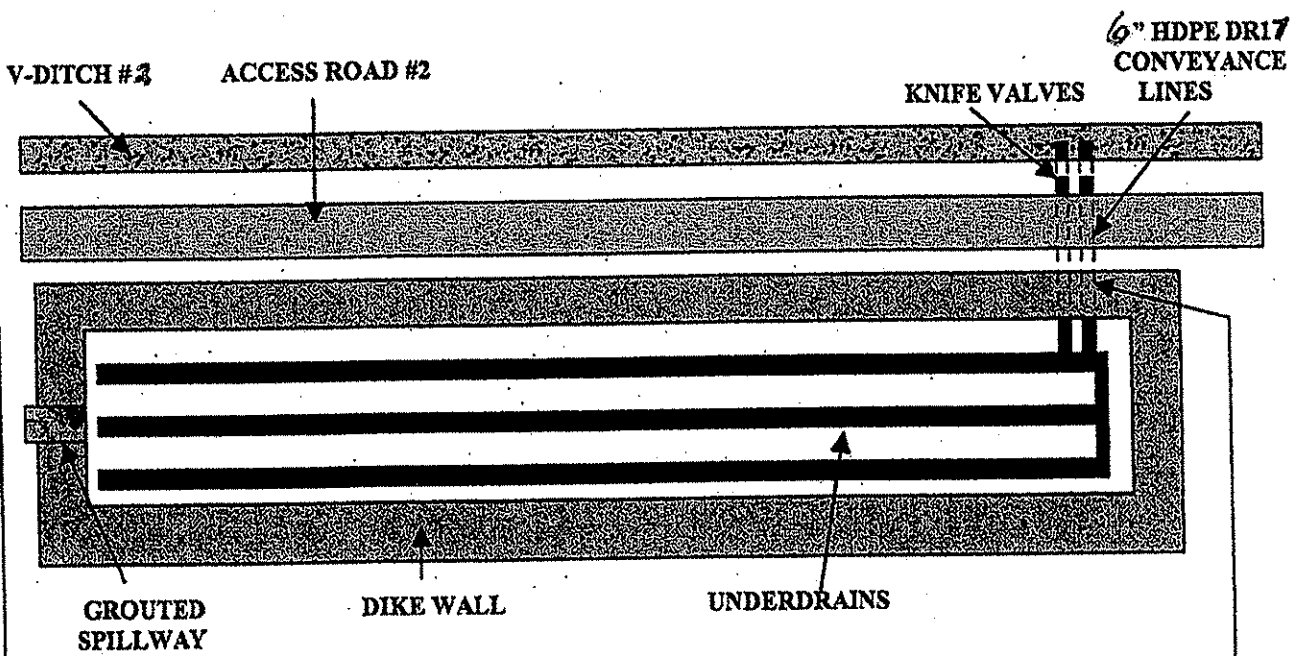
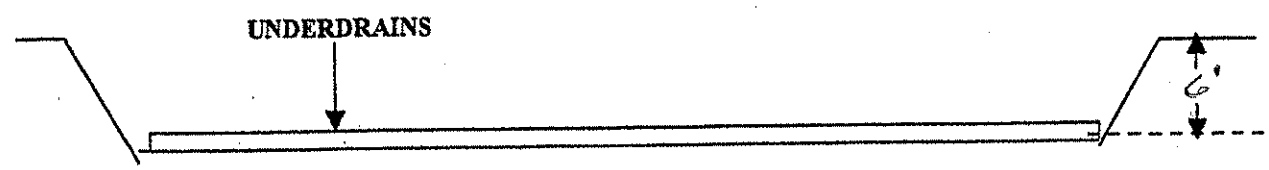
OFFICE OF SPECIAL RECLAMATION	
HEADWALLS #2 AND #3	
SCALE:	DRAWN BY:
DATE:	PROJECT NO:

WV-36a STATE OF WEST VIRGINIA
REV. 1/29/02 PURCHASING CONTINUATION SHEET
VENDOR:

BUYER CB-23	PAGE 081	REQ. OR PO NO DEP. 13009
SPENDING UNIT WEST VIRGINIA DEPARTMENT OF ENVIRONMENTAL PROTECTION / OFFICE OF SPECIAL RECLAMATION		

*BOTTOM DEMENTIONS OF CELL IS
EIGHT FEET (8') BY THIRTY FEET (30')

SIDE VIEW



TOP VIEW

*EACH CONVEYANCE LINE IS
APPROXIMATELY FIFTY FEET (50')
LONG.

HUNT COAL
U-5071-86

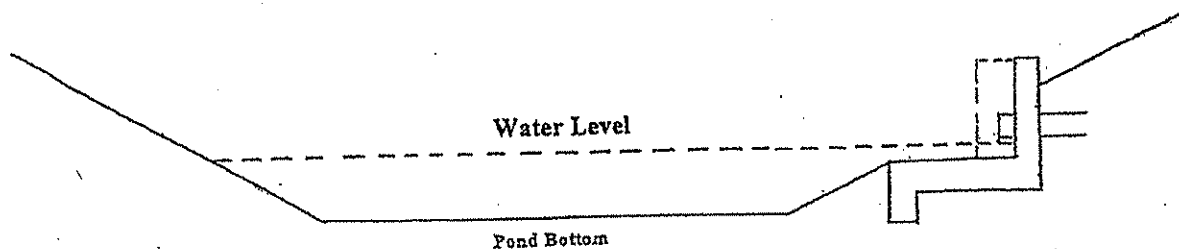
OFFICE OF SPECIAL RECLAMATION	
SLUDGE DRYING CELL #3	
SCALE:	DRAWN BY:
DATE:	PROJECT NO:

BUYER CB-23	PAGE 083	REQ. OR PO NO. DEP 13009
SPENDING UNIT WEST VIRGINIA DEPARTMENT OF ENVIRONMENTAL PROTECTION/SPECIAL RECLAMATION		

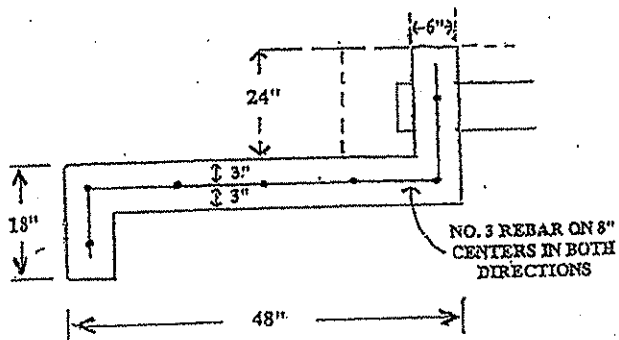
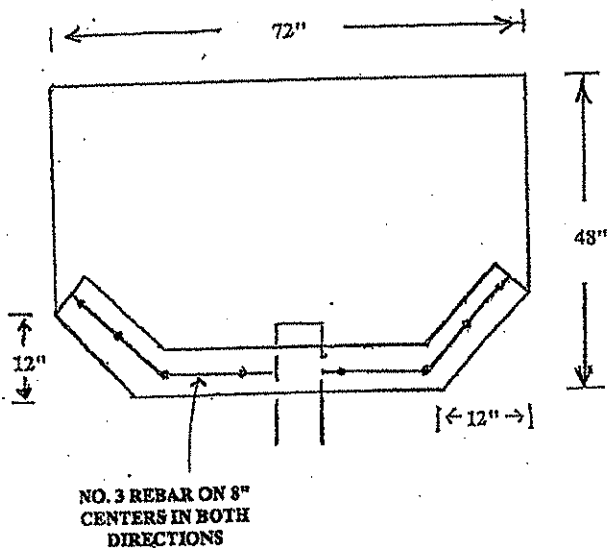
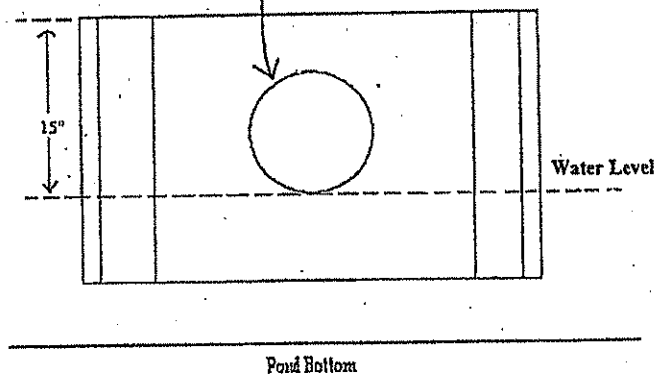
V-36
EV. 1/29/02

STATE OF WEST VIRGINIA
PURCHASING CONTINUATION SHEET

VENDOR:



8" HDPE DR 17
PIPE

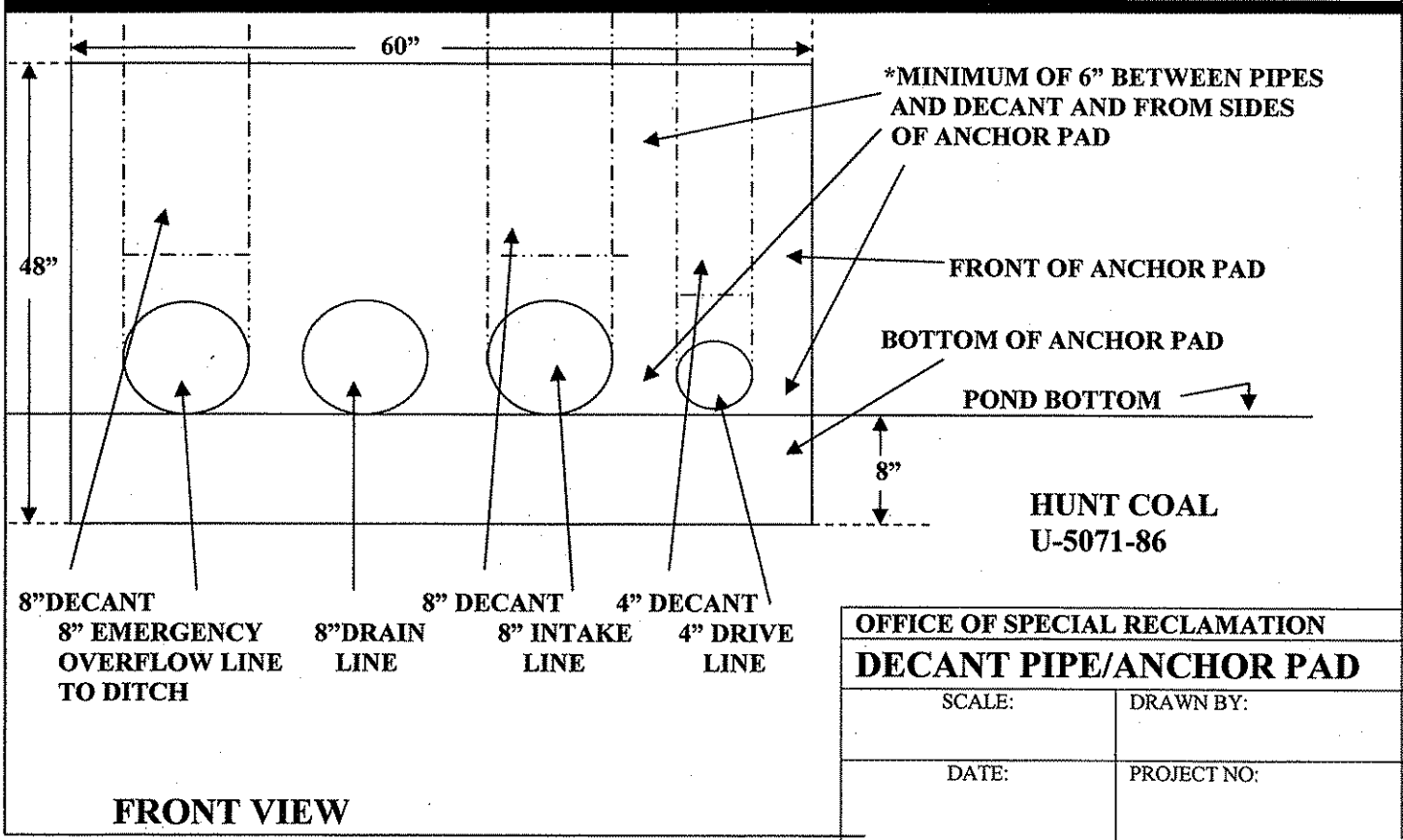
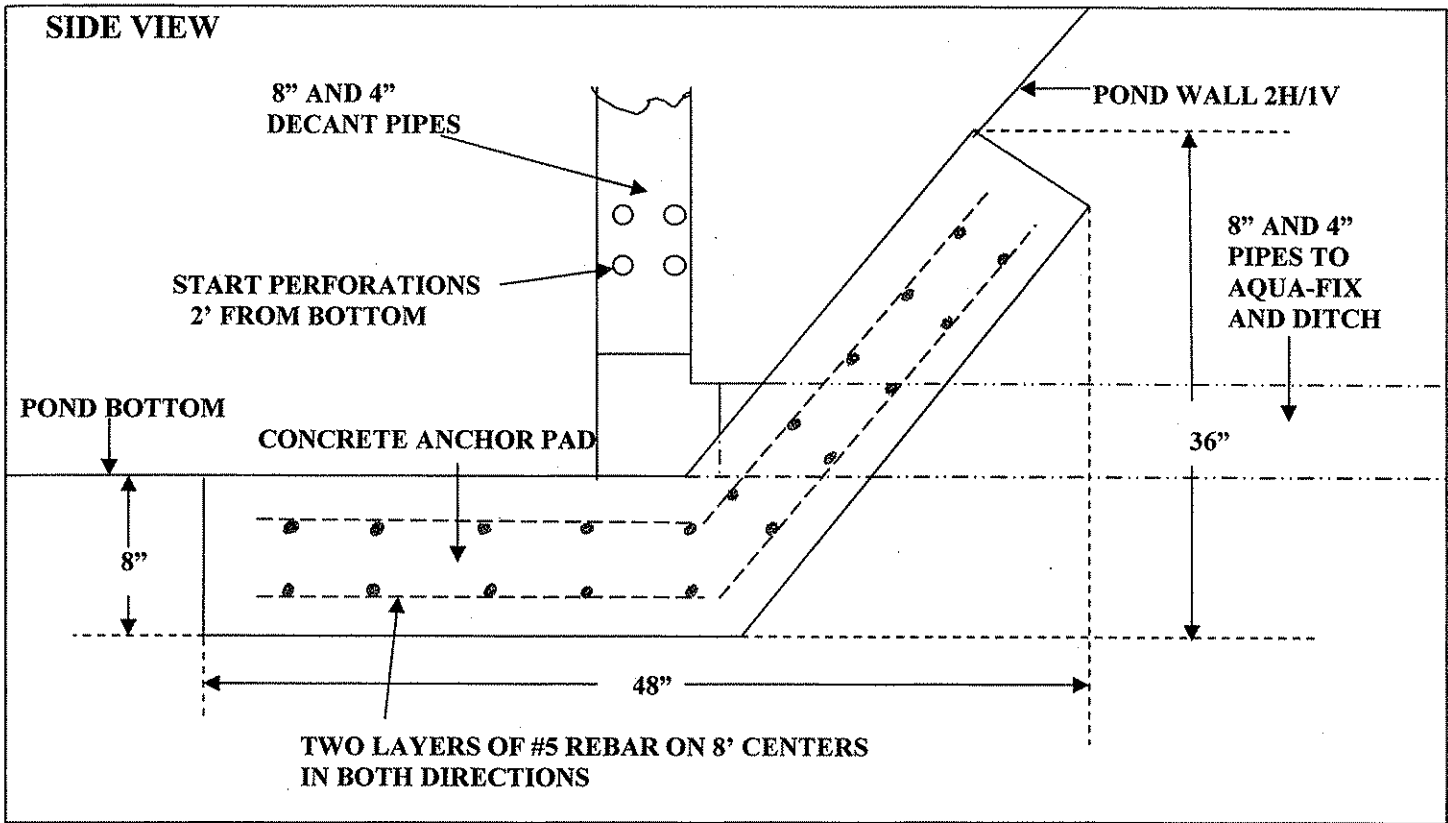


HUNT COAL
U-5071-86

SPECIAL RECLAMATION	
POND #1	
CONCRETE ACCESS PAD	
SCALE: Not To Scale	DRAWN BY:
DATE:	PROJECT NO.:

WV-36a STATE OF WEST VIRGINIA
REV. 1/29/02 PURCHASING CONTINUATION SHEET
VENDOR:

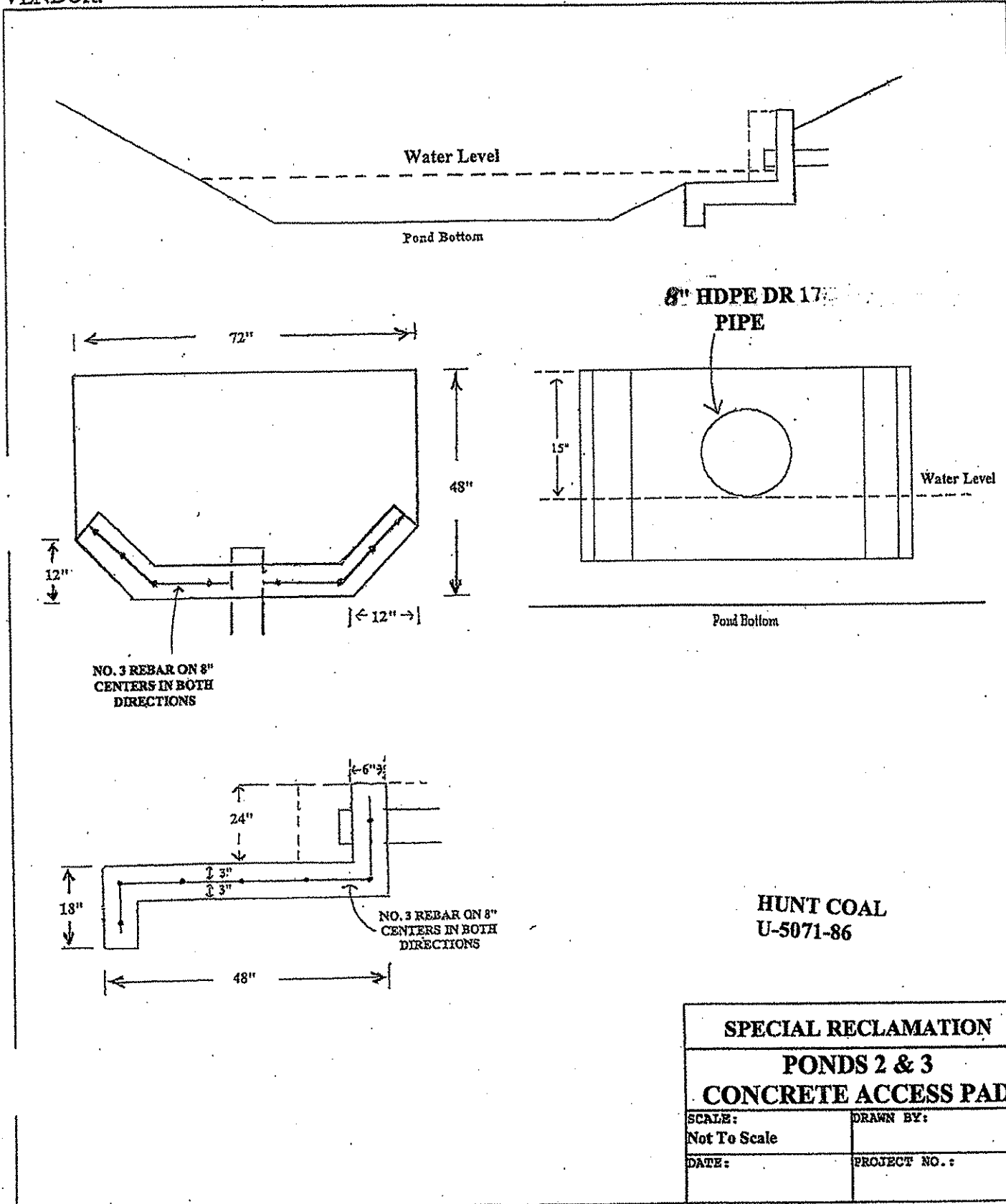
BUYER CB-23	PAGE 84	REQ. OR PO NO DEP.13009
SPENDING UNIT WEST VIRGINIA DEPARTMENT OF ENVIRONMENTAL PROTECTION / OFFICE OF SPECIAL RECLAMATION		



OFFICE OF SPECIAL RECLAMATION	
DECANT PIPE/ANCHOR PAD	
SCALE:	DRAWN BY:
DATE:	PROJECT NO:

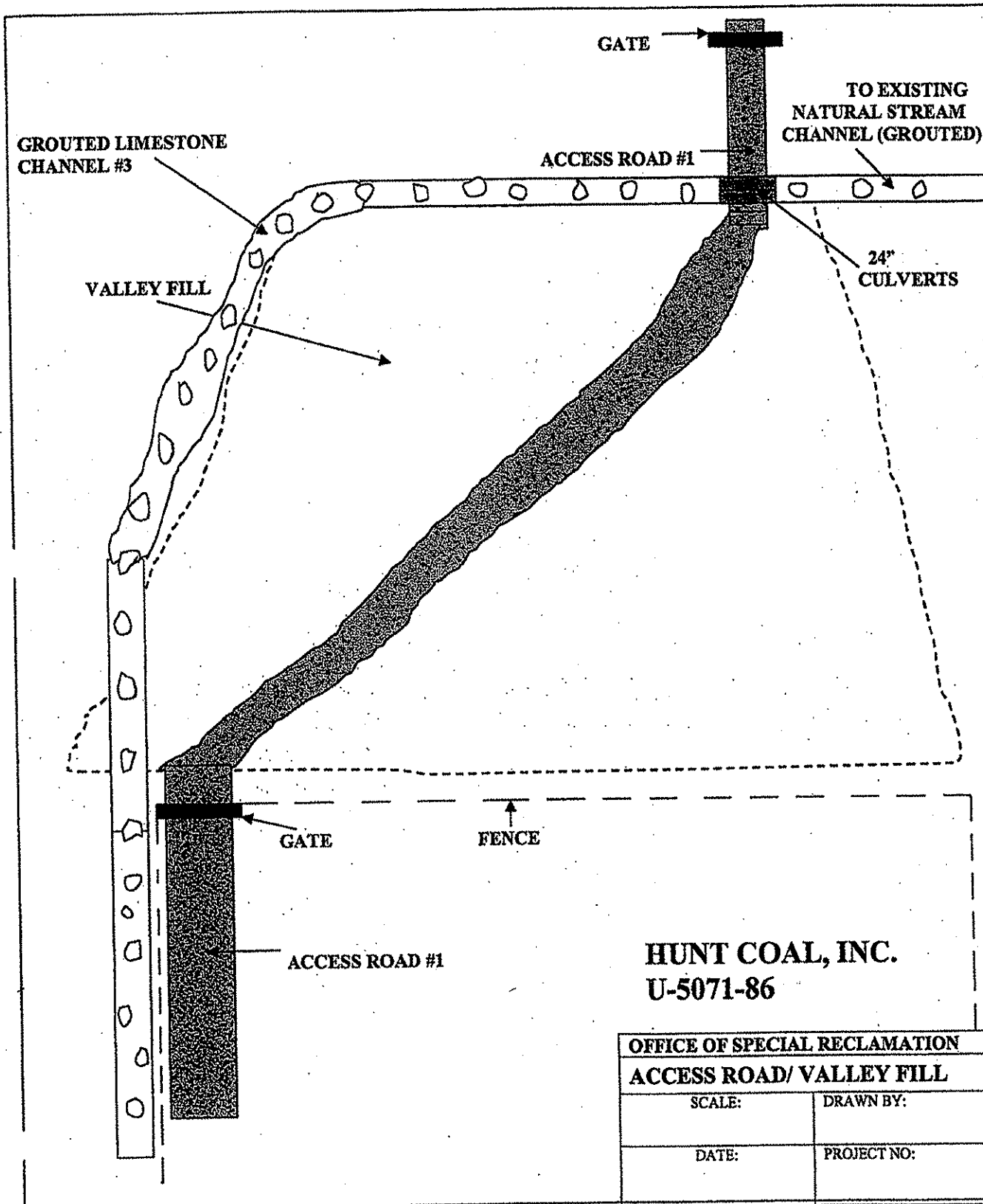
BUYER CB-23	PAGE 091	REQ. OR PO NO. DEP 13009
SPENDING UNIT WEST VIRGINIA DEPARTMENT OF ENVIRONMENTAL PROTECTION/SPECIAL RECLAMATION		

V-36 STATE OF WEST VIRGINIA
 EV. 1/29/02 PURCHASING CONTINUATION SHEET
 VENDOR:



WV-36a STATE OF WEST VIRGINIA
 REV. 1/29/02 PURCHASING CONTINUATION SHEET
 VENDOR:

BUYER CB-23	PAGE 096	REQ. OR PO NO DEP. 13009
SPENDING UNIT WEST VIRGINIA DEPARTMENT OF ENVIRONMENTAL PROTECTION / OFFICE OF SPECIAL RECLAMATION		

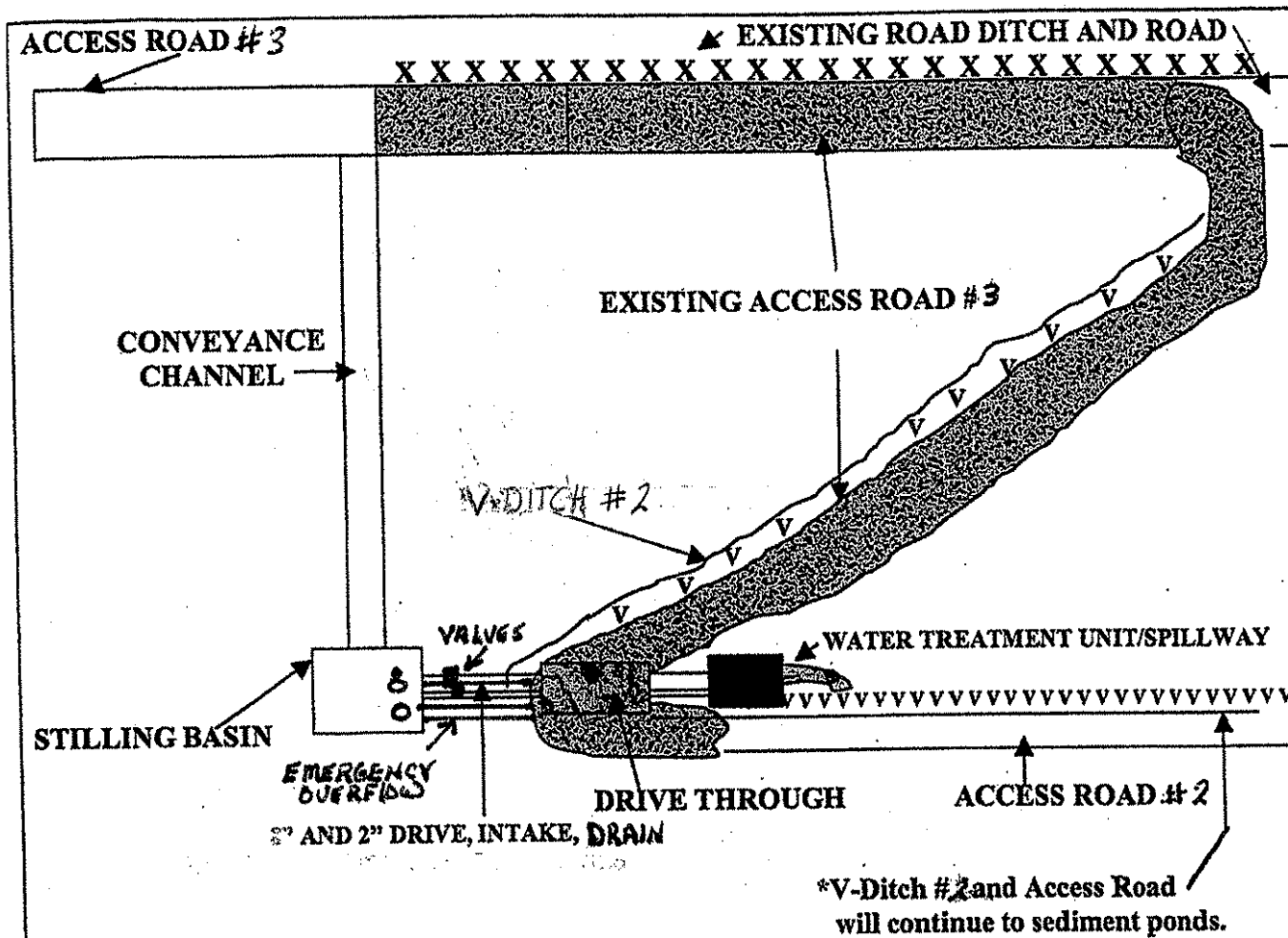


HUNT COAL, INC.
U-5071-86

OFFICE OF SPECIAL RECLAMATION	
ACCESS ROAD/ VALLEY FILL	
SCALE:	DRAWN BY:
DATE:	PROJECT NO:

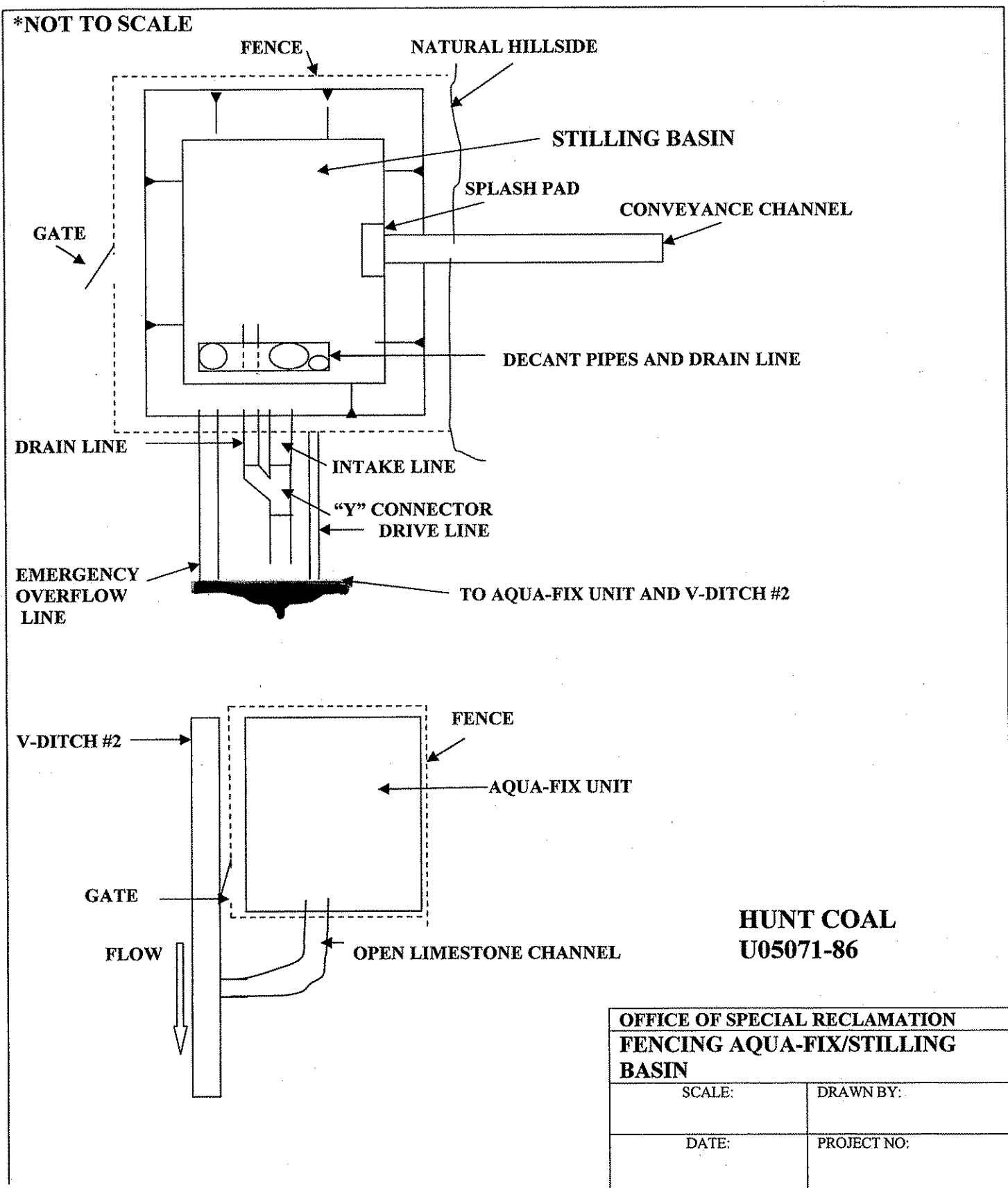
WV-36a STATE OF WEST VIRGINIA
REV. 1/29/02 PURCHASING CONTINUATION SHEET
VENDOR:

BUYER CB-23	PAGE 097	REQ. OR PO NO DEP. 13009
SPENDING UNIT WEST VIRGINIA DEPARTMENT OF ENVIRONMENTAL PROTECTION / OFFICE OF SPECIAL RECLAMATION		



**HUNT COAL
U-5071-86**

OFFICE OF SPECIAL RECLAMATION	
EXISTING ACCESS ROAD #3	
SCALE:	DRAWN BY:
DATE:	PROJECT NO:

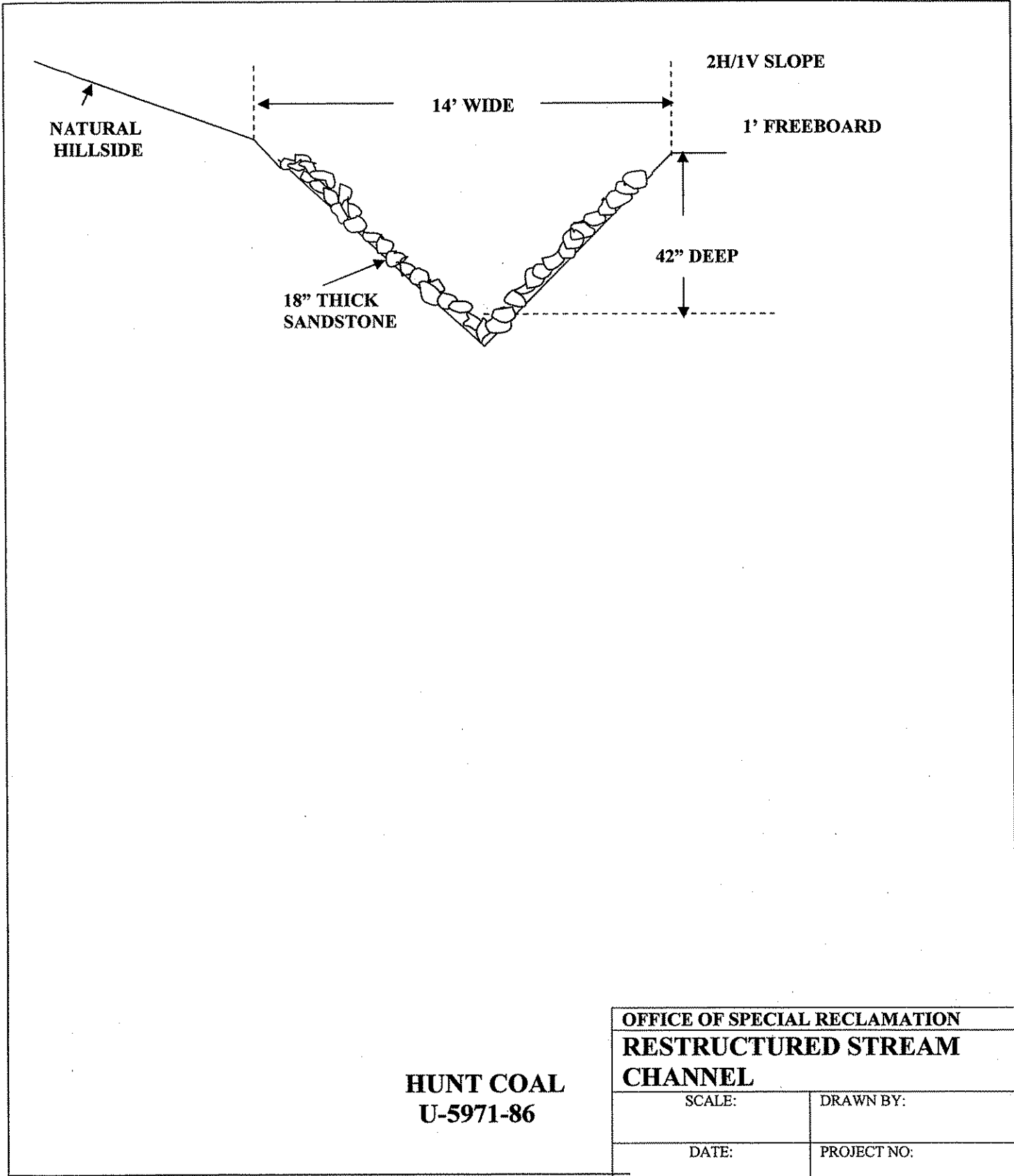


**HUNT COAL
 U05071-86**

OFFICE OF SPECIAL RECLAMATION FENCING AQUA-FIX/STILLING BASIN	
SCALE:	DRAWN BY:
DATE:	PROJECT NO:

WV-36a STATE OF WEST VIRGINIA
REV. 1/29/02 PURCHASING CONTINUATION SHEET
VENDOR:

BUYER CB-23	PAGE 106	REQ. OR PO NO DEP.13009	29
SPENDING UNIT WEST VIRGINIA DEPARTMENT OF ENVIRONMENTAL PROTECTION / OFFICE OF SPECIAL RECLAMATION			



**HUNT COAL
U-5971-86**

OFFICE OF SPECIAL RECLAMATION	
RESTRUCTURED STREAM CHANNEL	
SCALE:	DRAWN BY:
DATE:	PROJECT NO:

RFQ No. _____

STATE OF WEST VIRGINIA
Purchasing Division

PURCHASING AFFIDAVIT

VENDOR OWING A DEBT TO THE STATE:

West Virginia Code §5A-3-10a provides that: No contract or renewal of any contract may be awarded by the state or any of its political subdivisions to any vendor or prospective vendor when the vendor or prospective vendor or a related party to the vendor or prospective vendor is a debtor and the debt owed is an amount greater than one thousand dollars in the aggregate.

PUBLIC IMPROVEMENT CONTRACTS & DRUG-FREE WORKPLACE ACT:

West Virginia Code §21-1D-5 provides that: Any solicitation for a public improvement construction contract shall require each vendor that submits a bid for the work to submit at the same time an affidavit that the vendor has a written plan for a drug-free workplace policy in compliance with Article 1D, Chapter 21 of the West Virginia Code. A public improvement construction contract may not be awarded to a vendor who does not have a written plan for a drug-free workplace policy in compliance with Article 1D, Chapter 21 of the West Virginia Code and who has not submitted that plan to the appropriate contracting authority in timely fashion. For a vendor who is a subcontractor, compliance with Section 5, Article 1D, Chapter 21 of the West Virginia Code may take place before their work on the public improvement is begun.

ANTITRUST:

In submitting a bid to any agency for the state of West Virginia, the bidder offers and agrees that if the bid is accepted the bidder will convey, sell, assign or transfer to the state of West Virginia all rights, title and interest in and to all causes of action it may now or hereafter acquire under the antitrust laws of the United States and the state of West Virginia for price fixing and/or unreasonable restraints of trade relating to the particular commodities or services purchased or acquired by the state of West Virginia. Such assignment shall be made and become effective at the time the purchasing agency tenders the initial payment to the bidder.

I certify that this bid is made without prior understanding, agreement, or connection with any corporation, firm, limited liability company, partnership or person or entity submitting a bid for the same materials, supplies, equipment or services and is in all respects fair and without collusion or fraud. I further certify that I am authorized to sign the certification on behalf of the bidder or this bid.

LICENSING:

Vendors must be licensed and in good standing in accordance with any and all state and local laws and requirements by any state or local agency of West Virginia, including, but not limited to, the West Virginia Secretary of State's Office, the West Virginia Tax Department, West Virginia Insurance Commission, or any other state agencies or political subdivision. Furthermore, the vendor must provide all necessary releases to obtain information to enable the Director or spending unit to verify that the vendor is licensed and in good standing with the above entities.

CONFIDENTIALITY:

The vendor agrees that he or she will not disclose to anyone, directly or indirectly, any such personally identifiable information or other confidential information gained from the agency, unless the individual who is the subject of the information consents to the disclosure in writing or the disclosure is made pursuant to the agency's policies, procedures and rules. Vendors should visit www.state.wv.us/admin/purchase/privacy for the Notice of Agency Confidentiality Policies.

Under penalty of law for false swearing (West Virginia Code §61-5-3), it is hereby certified that the vendor acknowledges the information in this said affidavit and is in compliance with the requirements as stated.

Vendor's Name: _____

Authorized Signature: _____ Date: _____