



State of West Virginia
 Department of Administration
 Purchasing Division
 2019 Washington Street East
 Post Office Box 50130
 Charleston, WV 25305-0130

**Request for
 Quotation**

RFQ NUMBER	PAGE
GSD086425	1

ADDRESS CORRESPONDENCE TO ATTENTION OF:
KRISTA FERRELL 304-558-2596

VENDOR

RFQ COPY
 TYPE NAME/ADDRESS HERE

SHIP TO

DEPARTMENT OF ADMINISTRATION
 GENERAL SERVICES DIVISION
 BUILDING 11 CHILLER PLANT
 218 CALIFORNIA AVENUE
 CHARLESTON, WV
 25305 304-558-2317

DATE PRINTED	TERMS OF SALE	SHIP VIA	F.O.B.	FREIGHT TERMS
03/10/2008				

BID OPENING DATE: 04/15/2008 BID OPENING TIME 01:30PM

LINE	QUANTITY	UOP	CAT. NO.	ITEM NUMBER	UNIT PRICE	AMOUNT
				ADDENDUM NO. 1		
				THIS ADDENDUM IS ISSUED TO INCLUDE DRAWINGS S-1 THRU S-4. OTHER DRAWINGS AND SPECIFICATIONS ARE AVAILABLE FROM CHARLESTON BLUEPRINT AT A FEE OF \$100.00 PER SET BY CALLING 304-343-1063.		
				BID OPENING DATE REMAINS: 04/15/2008 BID OPENING TIME REMAINS: 1:30 PM		
				***** END ADDENDUM NO. 1 *****		
0001	1	JB		968-42		
				HVAC & LIFESAFETY RETROFITS, BLDG#11 CHILLER PLANT		
				***** THIS IS THE END OF RFQ GSD086425 ***** TOTAL:		

SEE REVERSE SIDE FOR TERMS AND CONDITIONS

SIGNATURE	TELEPHONE	DATE
TITLE	FEIN	ADDRESS CHANGES TO BE NOTED ABOVE

WHEN RESPONDING TO RFQ, INSERT NAME AND ADDRESS IN SPACE ABOVE LABELED 'VENDOR'

**GENERAL TERMS & CONDITIONS
REQUEST FOR QUOTATION (RFQ) AND REQUEST FOR PROPOSAL (RFP)**

1. Awards will be made in the best interest of the State of West Virginia.
2. The State may accept or reject in part, or in whole, any bid.
3. All quotations are governed by the *West Virginia Code* and the *Legislative Rules* of the Purchasing Division.
4. Prior to any award, the apparent successful vendor must be properly registered with the Purchasing Division and have paid the required \$125.00 registration fee.
5. All services performed or goods delivered under State Purchase Orders/Contracts are to be continued for the term of the Purchase Order/Contract, contingent upon funds being appropriated by the Legislature or otherwise being made available. In the event funds are not appropriated or otherwise available for these services or goods, this Purchase Order/Contract becomes void and of no effect after June 30.
6. Payment may only be made after the delivery and acceptance of goods or services.
7. Interest may be paid for late payment in accordance with the *West Virginia Code*.
8. Vendor preference will be granted upon written request in accordance with the *West Virginia Code*.
9. The State of West Virginia is exempt from federal and state taxes and will not pay or reimburse such taxes.
10. The Director of Purchasing may cancel any Purchase Order/Contract upon 30 days written notice to the seller.
11. The laws of the State of West Virginia and the *Legislative Rules* of the Purchasing Division shall govern all rights and duties under the Contract, including without limitation the validity of this Purchase Order/Contract.
12. Any reference to automatic renewal is hereby deleted. The Contract may be renewed only upon mutual written agreement of the parties.
13. **BANKRUPTCY:** In the event the vendor/contractor files for bankruptcy protection, this Contract may be deemed null and void, and terminated without further order.
14. **HIPAA Business Associate Addendum** - The West Virginia State Government HIPAA Business Associate Addendum (BAA), approved by the Attorney General, and available online at the Purchasing Division's web site (<http://www.state.wv.us/admin/purchase/vrc/hipaa.htm>) is hereby made part of the agreement. Provided that, the Agency meets the definition of a Covered Entity (45 CFR §160.103) and will be disclosing Protected Health Information (45 CFR §160.103) to the vendor.

INSTRUCTIONS TO BIDDERS

1. Use the quotation forms provided by the Purchasing Division.
2. **SPECIFICATIONS:** Items offered must be in compliance with the specifications. Any deviation from the specifications must be clearly indicated by the bidder. Alternates offered by the bidder as **EQUAL** to the specifications must be clearly defined. A bidder offering an alternate should attach complete specifications and literature to the bid. The Purchasing Division may waive minor deviations to specifications.
3. Complete all sections of the quotation form.
4. Unit prices shall prevail in cases of discrepancy.
5. All quotations are considered F.O.B. destination unless alternate shipping terms are clearly identified in the quotation.
6. **BID SUBMISSION:** All quotations must be delivered by the bidder to the office listed below prior to the date and time of the bid opening. Failure of the bidder to deliver the quotations on time will result in bid disqualifications.

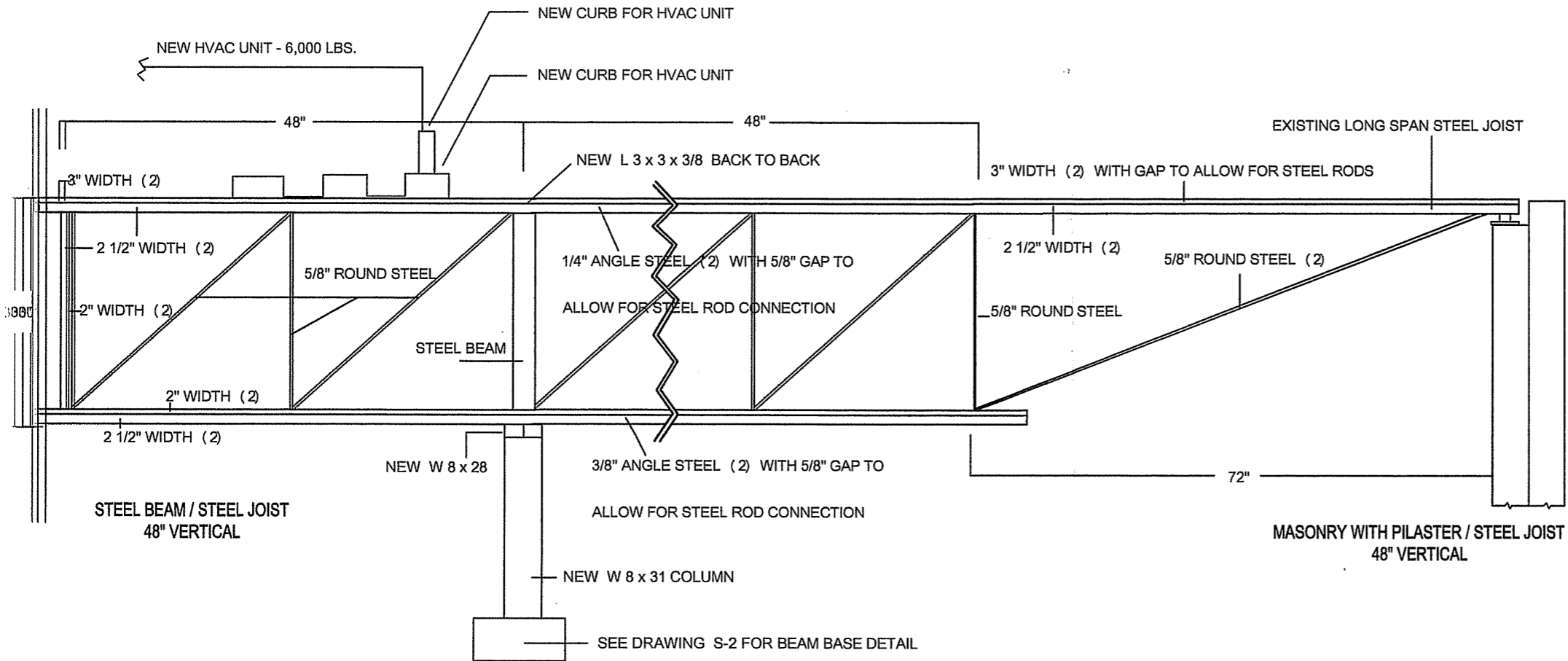
SIGNED BID TO:

Department of Administration
Purchasing Division
2019 Washington Street East
Post Office Box 50130
Charleston, WV 25305-0130

**GENERAL SERVICES DIVISION
ENGINEERING SECTION**

**BUILDING 11-CENTRAL PLANT
HVAC PROJECT
STRUCTURAL DRAWINGS**

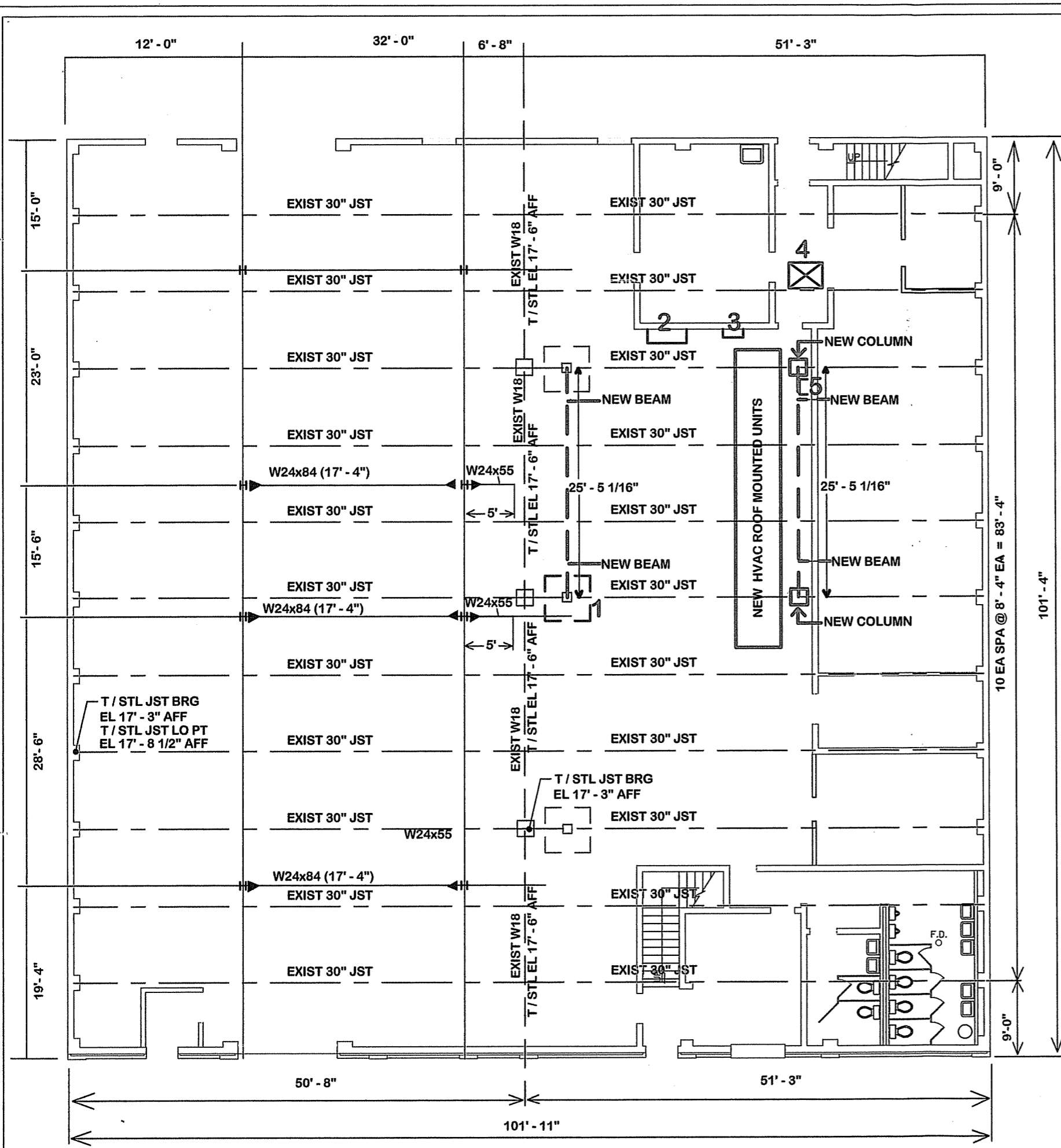
REVISION	DESCRIPTION	REVISED BY	DATE



STATE OF WEST VIRGINIA
 DEPARTMENT OF ADMINISTRATION
 GENERAL SERVICES DIVISION
 CHARLESTON, WEST VIRGINIA

LOCATION: California Ave., Charleston, WV
 BUILDING: Central Chiller Plant Bldg. 11
 PROJECT: HVAC

DRAWING TITLE: COLUMN/BEAM DETAIL DRAWING NO: S-4
 DRAWN BY: dlj SCALE: none DATE: 09-21-2007
 CAD PATH SEQUENCE:



REVISION	DESCRIPTION	REVISED BY	DATE

NOTE: RELOCATION OF SOME EXISTING DUCTWORK WILL BE REQUIRED AND REROUTING OF THE FEEDER FOR THE EXISTING TRANSFORMER TO ALLOW FOR THE INSTALLATION OF THE BEAMS AND COLUMNS NEEDED FOR STRUCTURAL SUPPORT OF THE NEW ROOF TOP UNITS.

SEE DWG. S-2 FOR COLUMN DETAILS
SEE DWG. S-3 FOR BEAM DETAILS

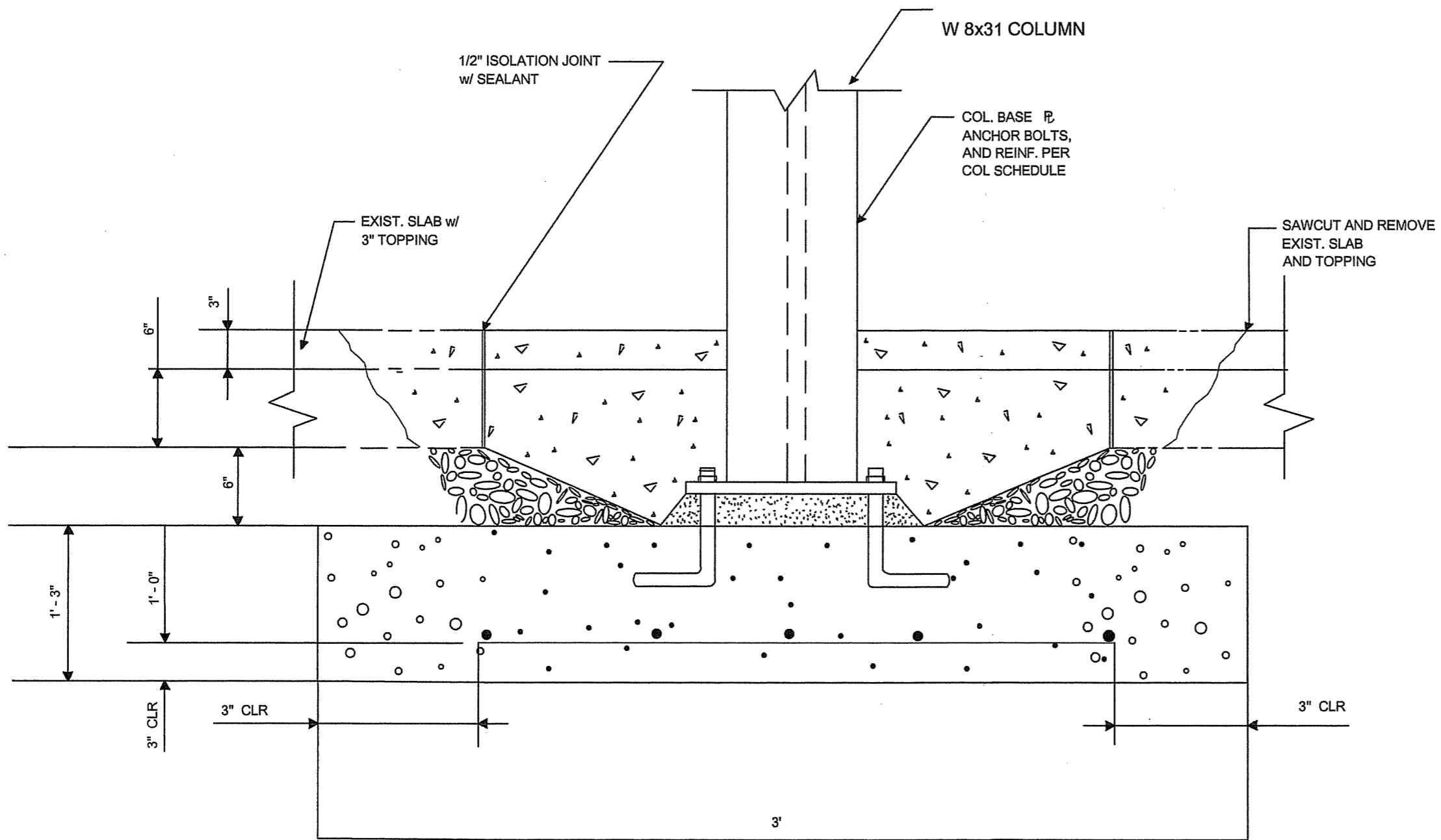
- KEY TO NUMBERED NOTES**
- 1 EXISTING COLUMN
 - 2 NEW LOCATION OF RELOCATED DUCT
 - 3 EXISTING POWER PANEL
 - 4 EXISTING ROOF MOUNTED EXHAUST FAN TO BE REMOVED
 - 5 EXISTING TRANSFORMER TO REMAIN

STATE OF WEST VIRGINIA
DEPARTMENT OF ADMINISTRATION
GENERAL SERVICES DIVISION
CHARLESTON, WEST VIRGINIA

LOCATION: California Ave., Charleston, WV
BUILDING: Central Chiller Plant Bldg. 11
PROJECT: HVAC

DRAWING TITLE: Structural Assessment		DRAWING NO: S-1	
DRAWN BY: dlj	SCALE: none	DATE: 10-04-2007	CAD PATH SEQUENCE:

REVISION	DESCRIPTION	REVISED BY	DATE



W SHAPES - Dimensions

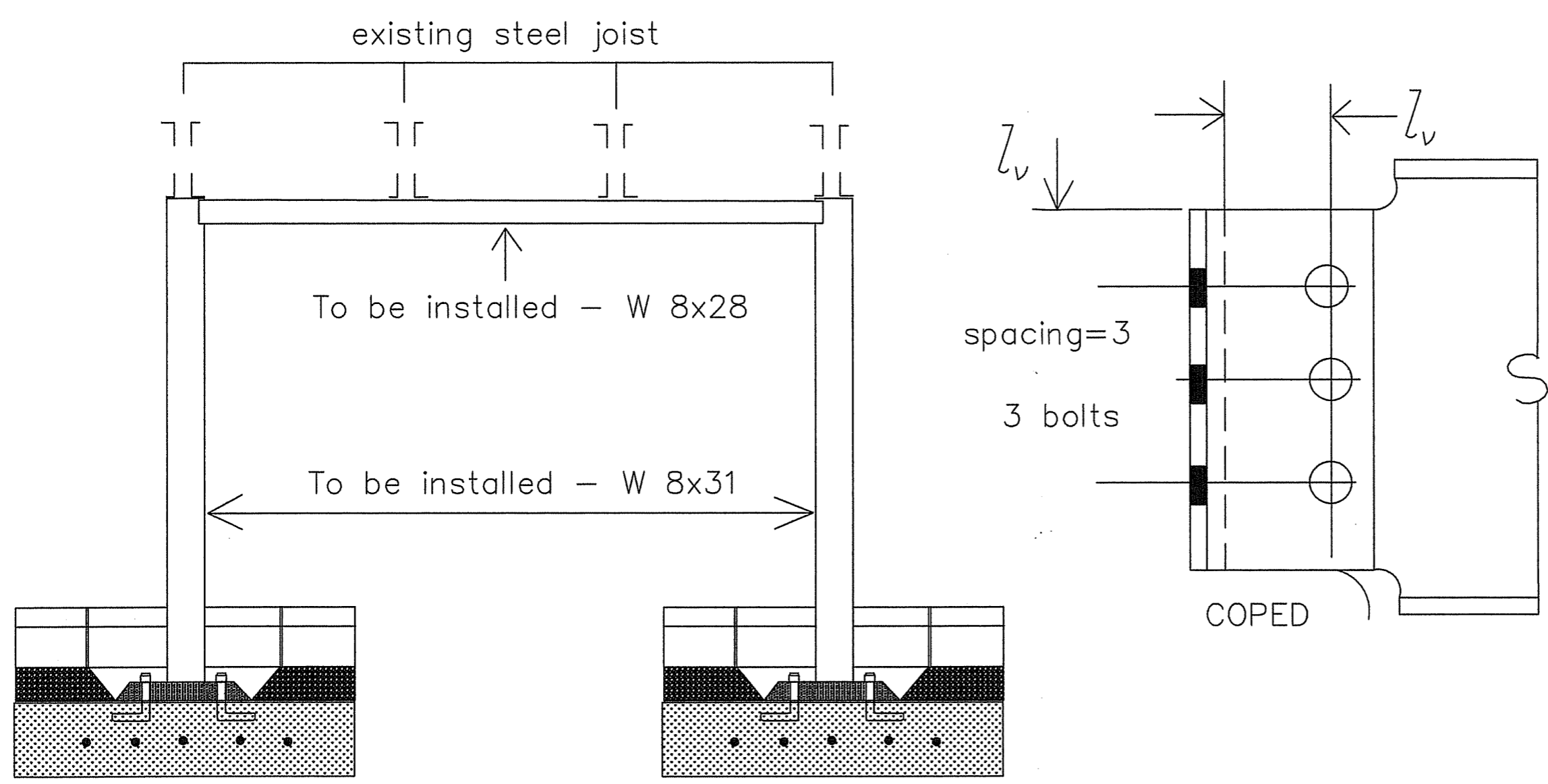
Designation	Area A in. ²	Depth d		Web			Flange		Distance				
		in.	in.	Thickness tw	in.	Width bf	Thickness tf	T	k	k ₁			
W 8x31	9.13	8.00	8	0.285	5/16	3/16	7.995	8	0.435	7/16	8 1/8	15/16	9/16

STATE OF WEST VIRGINIA
 DEPARTMENT OF ADMINISTRATION
 GENERAL SERVICES DIVISION
 CHARLESTON, WEST VIRGINIA

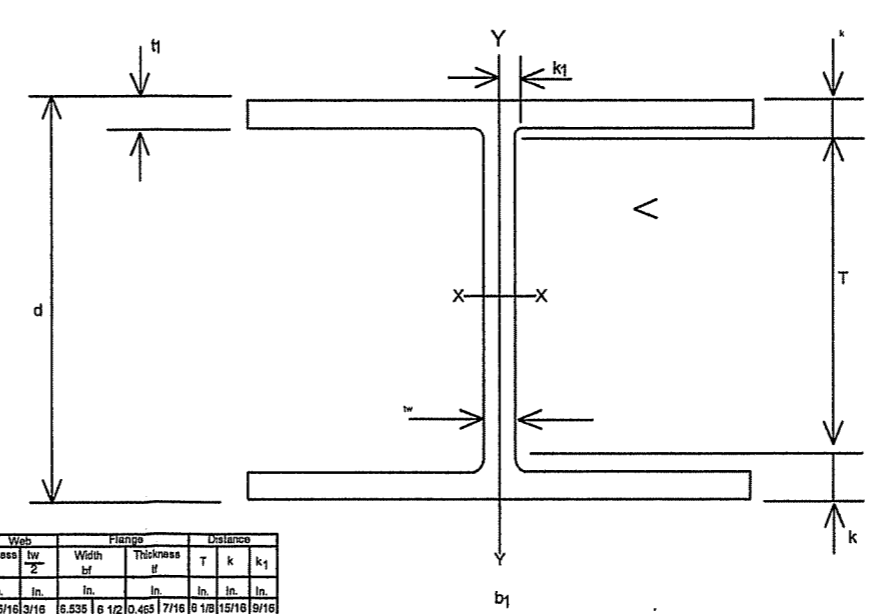
LOCATION: California Ave., Charleston, WV
 BUILDING: Central Chiller Plant Bldg. 11
 PROJECT: HVAC

DRAWING TITLE: Column / Base Detail
 DRAWING NO: S-2
 DRAWN BY: dlj
 SCALE: none
 DATE: 10/04/07
 CAD PATH SEQUENCE:

REVISION	DESCRIPTION	REVISED BY	DATE



PROJECT COLUMNS (2) & BEAMS (2) DESIGNATION



W SHAPES - Dimensions

Designation	Area A	Depth d	Web		Flange			Distance							
			Thickness tw	tw	Width bf	Thickness tf	T	k	k1						
W 8x28	8.25	8.06	8	0.285	9/16	3/16	6.535	8	1/2	0.465	7/16	6	1/8	15/16	9/16

STATE OF WEST VIRGINIA
 DEPARTMENT OF ADMINISTRATION
 GENERAL SERVICES DIVISION
 CHARLESTON, WEST VIRGINIA

LOCATION: California Ave., Charleston, WV
 BUILDING: Central Chiller Plant Bldg. 11
 PROJECT: HVAC

DRAWING TITLE: Column and Beam
 DRAWN BY: dlj
 SCALE: none
 DATE: 10/04/07
 DRAWING NO: S-3
 CAD PATH SEQUENCE: