

SOLE SOURCE DETERMINATION

The Purchasing Division has been requested to approve a sole source purchase for the commodity or service described below. Pursuant to West Virginia Code 5A-3-10c, the Purchasing Division is attempting to determine whether the commodity or service is sole source procurement. If you believe your company meets the required experience and qualification criteria stated below, please e-mail the Purchasing Division Buyer at charles.a.bowmanjr@wv.gov with a copy to Karen.Q.Byrd@wv.gov to express your interest in the project. Please forward any and all information that will support your company's compliance with required qualification and eligibility criteria along with any other pertinent information relative to this project to the Purchasing Division no later than 03/17/2008.

Requisition Number: DEP14268

Department/Agency: Department of Environmental Protection

Detailed Description of Project:

To purchase two (2) Ekto Model 8812 environmental monitoring equipment shelters needed to house and support PM 2.5 and Ozone samplers for the Martinsburg, WV area.

Proposed Sole Source Vendor: Ekto Manufacturing Corporation (TEAM #: *709000633)

Specific Eligibility Criteria:

Weatherproof epoxy vacuum laminated aluminum construction.

R19 (4") insulation.

Light weight, 2,500 lbs or less.

Elimination of thermal expansion.

Transportable with a trailer, using a suitably equipped passenger vehicle or truck already in Air Quality's fleet.

Two (2) industrial type air conditioners 12,000 BTU/3.6KW with automatic lead lag controller in lieu of residential type single unit.

Aluminum tread plate floor in lieu of tiles.

Attachment brackets for use of existing transporter trailer.

Specific Qualification Criteria:

Department of Environmental Protection/Division of Air Quality (DAQ) currently employs 14 EKTO environmental shelters. The new EKTO shelters are directly compatible with existing transport trailer and lift jacks. The new shelters will satisfy the current DAQ equipment standard. The Office of Air Quality's (AQ) PM 2.5 and Ozone sampling program, in part, fulfills the state of West Virginia's grant commitment with the United States Environmental Protection Agency for its role in implementing the Clean Air Act. The PM 2.5 and Ozone data generated is used to ascertain, in part, if West Virginia's air quality is in compliance with EPA's National Ambient Air Quality Standards. The PM 2.5 and Ozone data can have significant impacts on the public health, environment and economy of West Virginia.



EKTO MANUFACTURING CORPORATION, SANFORD, ME 04073 USA

SANFORD INDUSTRIAL ESTATES, 83 EAGLE DRIVE, P.O. BOX 449,

TEL: 207 - 324 - 4427

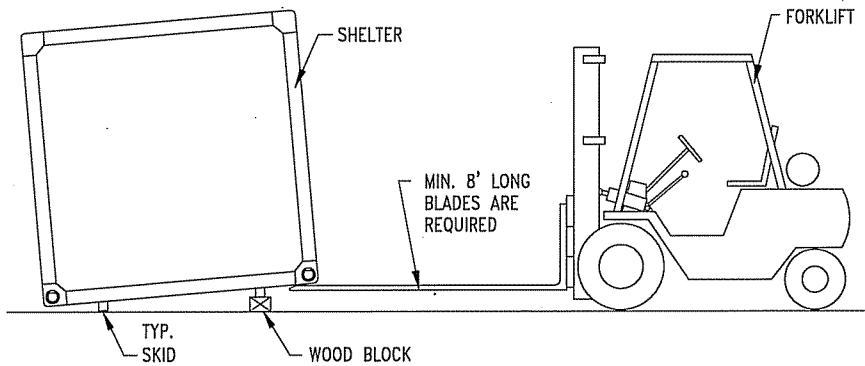
FAX: 207 - 324 - 4667

E-MAIL: info@ekto.com

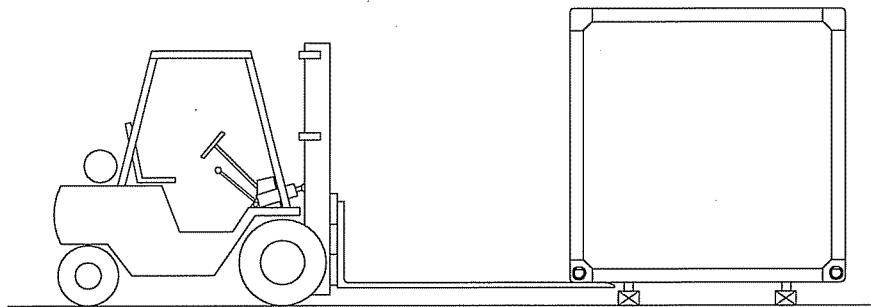
WEB: www.ekto.com

RECOMMENDED SHELTER HANDLING

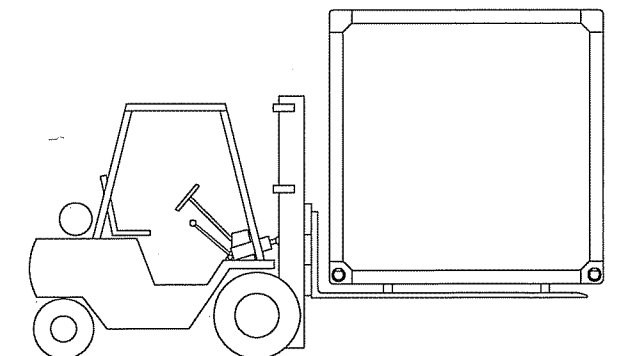
WITH FORKLIFT:



1. Lift shelter on one side off the ground (or trailer bed). Place one wood block under the skid on each shelter end.

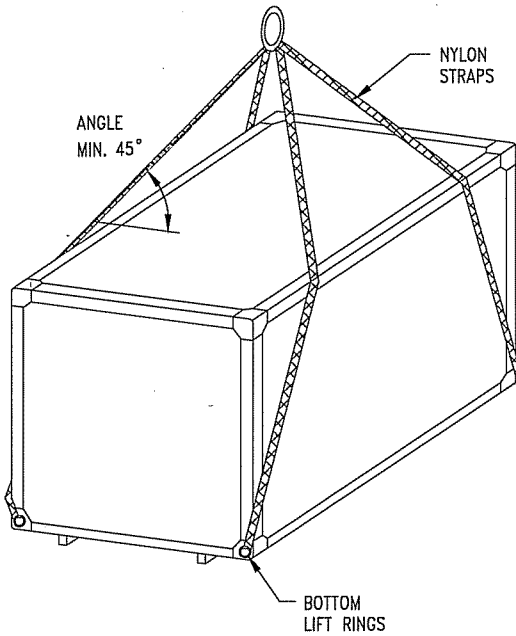


2. Lift shelter on the other side the same way and place wood blocks under skid ends.



3. Now you can drive your forks all the way under the shelter floor, pick it up and bring the shelter to its desired location. To take the shelter off the forks, place four wood blocks under the skids and lower shelter the same way as explained in step 1 and 2.

WITH CRANE:

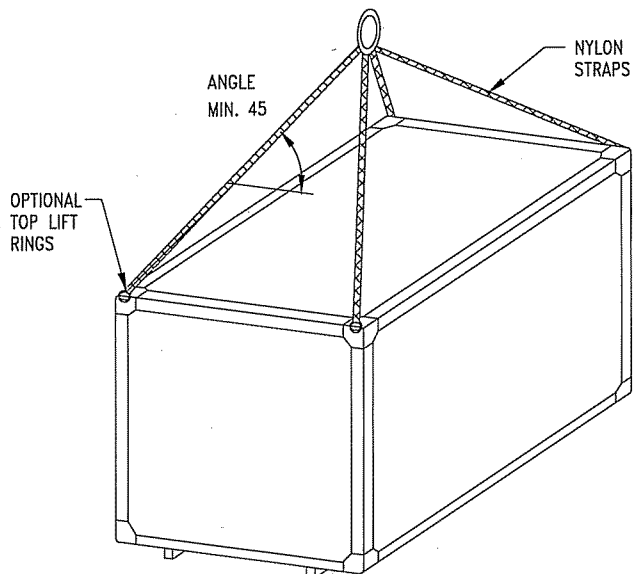


BOTTOM LIFT RINGS

All shelters are equipped with bottom lift rings. Use nylon straps when using a crane or similar equipment to lift shelter.

NOTE:

Protect corner trim with cardboard, cloth or equal to prevent damage from straps.



TOP LIFT RINGS

If your shelter is equipped with top lift rings, they should be used when lifting the shelter with a crane. Protecting the corner trim isn't as critical this way.