



State of West Virginia
 Department of Administration
 Purchasing Division
 2019 Washington Street East
 Post Office Box 50130
 Charleston, WV 25305-0130

Request for Quotation

RFQ NUMBER
 DEP14253

PAGE
 1

ADDRESS CORRESPONDENCE TO ATTENTION OF
 CHUCK BOWMAN
 304-558-2157

RFQ COPY
 TYPE NAME/ADDRESS HERE

VENDOR

SHIP TO

ENVIRONMENTAL PROTECTION
 DEPT. OF
 OFFICE OF SPECIAL RECLAMATION
 116 INDUSTRIAL DRIVE
 OAK HILL, WV
 25901 304-465-1911

DATE PRINTED	TERMS OF SALE	SHIP VIA	FOB	FREIGHT TERMS
05/01/2008				

BID OPENING DATE: 06/18/2008 BID OPENING TIME 01:30PM

LINE	QUANTITY	UOP	CAT NO	ITEM NUMBER	UNIT PRICE	AMOUNT
0001	1	JB		962-73		
<p>RECLAMATION: RESTORATION OF LAND</p> <p>THE WEST VIRGINIA PURCHASING DIVISION, FOR THE AGENCY, THE WEST VIRGINIA DEPARTMENT OF ENVIRONMENTAL PROTECTION, IS SOLICITING BIDS FROM QUALIFIED CONTRACTORS FOR A CONTRACT TO PROVIDE ALL LABOR AND MATERIALS TO PERFORM RECLAMATION ON THE MINING OPERATION OF LODESTAR ENERGY, INC., NOW UNDER REVOKED PERMIT NUMBER(S) S-19-85. THIS SITE CONSISTS OF APPROXIMATELY 8 ACRES AND IS LOCATED NEAR TIOGA, WV IN NICHOLAS COUNTY.</p> <p>THE RECLAMATION SHALL BE PERFORMED UNDER THE GUIDANCE AND GENERAL SUPERVISION OF THE AGENT ASSIGNED TO THE PROJECT FOR THE STATE OF WEST VIRGINIA, DEPARTMENT OF ENVIRONMENTAL PROTECTION.</p> <p>A MANDATORY ON-SITE PREBID CONFERENCE SHALL BE HELD ON 05/29/2008 @ 10:00 AM. FAILURE TO ATTEND THE PREBI CONFERENCE WILL RESULT IN BID DISQUALIFICATION.</p> <p>DIRECTIONS TO PREBID: FROM THE CALVIN POST OFFICE, TRAVEL APPROXIMATELY 2.5 MILES EAST ON ROUTE 55. TURN LEFT PAST THE RANCH HOUSE RESTAURANT ONTO ROUTE 3. TRAVEL APPROXIMATELY 3.7 MILES AND TURN LEFT ONTO DELPHI ROAD (RT. 3/4). TRAVEL APPROXIMATELY 2.0 MILES TO END OF ROAD, ENDING AT GATE TO SITE.</p> <p>ALL WORK MUST BE COMPLETED IN ACCORDANCE WITH THE PLANS AND SPECIFICATIONS PREPARED BY THE DEPARTMENT</p>						

SEE REVERSE SIDE FOR TERMS AND CONDITIONS

SIGNATURE	TELEPHONE	DATE
TITLE	FEIN	ADDRESS CHANGES TO BE NOTED ABOVE

WHEN RESPONDING TO RFQ, INSERT NAME AND ADDRESS IN SPACE ABOVE LABELED 'VENDOR'

**GENERAL TERMS & CONDITIONS
REQUEST FOR QUOTATION (RFQ) AND REQUEST FOR PROPOSAL (RFP)**

1. Awards will be made in the best interest of the State of West Virginia.
2. The State may accept or reject in part, or in whole, any bid.
3. All quotations are governed by the *West Virginia Code* and the *Legislative Rules* of the Purchasing Division.
4. Prior to any award, the apparent successful vendor must be properly registered with the Purchasing Division and have paid the required \$125.00 registration fee.
5. All services performed or goods delivered under State Purchase Orders/Contracts are to be continued for the term of the Purchase Order/Contract, contingent upon funds being appropriated by the Legislature or otherwise being made available. In the event funds are not appropriated or otherwise available for these services or goods, this Purchase Order/Contract becomes void and of no effect after June 30.
6. Payment may only be made after the delivery and acceptance of goods or services.
7. Interest may be paid for late payment in accordance with the *West Virginia Code*.
8. Vendor preference will be granted upon written request in accordance with the *West Virginia Code*.
9. The State of West Virginia is exempt from federal and state taxes and will not pay or reimburse such taxes.
10. The Director of Purchasing may cancel any Purchase Order/Contract upon 30 days written notice to the seller.
11. The laws of the State of West Virginia and the *Legislative Rules* of the Purchasing Division shall govern all rights and duties under the Contract, including without limitation the validity of this Purchase Order/Contract.
12. Any reference to automatic renewal is hereby deleted. The Contract may be renewed only upon mutual written agreement of the parties.
13. **BANKRUPTCY:** In the event the vendor/contractor files for bankruptcy protection, this Contract may be deemed null and void, and terminated without further order.
14. **HIPAA Business Associate Addendum** - The West Virginia State Government HIPAA Business Associate Addendum (BAA), approved by the Attorney General, and available online at the Purchasing Division's web site (<http://www.state.wv.us/admin/purchase/vrc/hipaa.htm>) is hereby made part of the agreement. Provided that, the Agency meets the definition of a Covered Entity (45 CFR §160.103) and will be disclosing Protected Health Information (45 CFR §160.103) to the vendor.

INSTRUCTIONS TO BIDDERS

1. Use the quotation forms provided by the Purchasing Division.
2. **SPECIFICATIONS:** Items offered must be in compliance with the specifications. Any deviation from the specifications must be clearly indicated by the bidder. Alternates offered by the bidder as **EQUAL** to the specifications must be clearly defined. A bidder offering an alternate should attach complete specifications and literature to the bid. The Purchasing Division may waive minor deviations to specifications.
3. Complete all sections of the quotation form.
4. Unit prices shall prevail in cases of discrepancy.
5. All quotations are considered F.O.B. destination unless alternate shipping terms are clearly identified in the quotation.
6. **BID SUBMISSION:** All quotations must be delivered by the bidder to the office listed below prior to the date and time of the bid opening. Failure of the bidder to deliver the quotations on time will result in bid disqualifications.

SIGNED BID TO:

Department of Administration
Purchasing Division
2019 Washington Street East
Post Office Box 50130
Charleston, WV 25305-0130



State of West Virginia
 Department of Administration
 Purchasing Division
 2019 Washington Street East
 Post Office Box 50130
 Charleston, WV 25305-0130

Request for Quotation

RFQ NUMBER
 DEP14253

PAGE
 2

ADDRESS CORRESPONDENCE TO ATTENTION OF
 CHUCK BOWMAN
 304-558-2157

RFQ COPY
 TYPE NAME/ADDRESS HERE

VENDOR

SHIP TO

ENVIRONMENTAL PROTECTION
 DEPT. OF
 OFFICE OF SPECIAL RECLAMATION
 116 INDUSTRIAL DRIVE
 OAK HILL, WV
 25901 304-465-1911

DATE PRINTED	TERMS OF SALE	SHIP VIA	FOB	FREIGHT TERMS
05/01/2008				

BID OPENING DATE: 06/18/2008 BID OPENING TIME 01:30PM

LINE	QUANTITY	UOP	CAT NO	ITEM NUMBER	UNIT PRICE	AMOUNT
<p>OF ENVIRONMENTAL PROTECTION AND PURCHASE ORDER ISSUED BY THE DEPARTMENT OF ADMINISTRATION, DIVISION OF PURCHASING.</p> <p>EXHIBIT 5</p> <p>NOTICE TO PROCEED: THIS CONTRACT IS TO BE PERFORMED WITHIN 365 CALENDAR DAYS AFTER THE NOTICE TO PROCEED IS RECEIVED. UNLESS OTHERWISE SPECIFIED, THE FULLY EXECUTED PURCHASE ORDER WILL BE CONSIDERED NOTICE TO PROCEED.</p> <p>CANCELLATION: THE DIRECTOR OF PURCHASING RESERVES THE RIGHT TO CANCEL THIS CONTRACT IMMEDIATELY UPON WRITTEN NOTICE TO THE VENDOR IF THE MATERIALS OR WORKMANSHIP SUPPLIED ARE OF AN INFERIOR QUALITY OR DO NOT CONFORM WITH THE SPECIFICATIONS OF THE THE BID AND CONTRACT HEREIN.</p> <p>WAGE RATES: THE CONTRACTOR OR SUBCONTRACTOR SHALL PAY THE HIGHER OF THE U.S. DEPARTMENT OF LABOR MINIMUM WAGE RATES AS ESTABLISHED FOR NICHOLAS COUNTY, PURSUANT TO WEST VIRGINIA CODE 21-5A, ET,SEQ.</p> <p>ARBITRATION: ANY REFERENCES MADE TO ARBITRATION OR INTEREST FOR PAYMENTS DUE (EXCEPT FOR ANY INTEREST REQUIRED BY STATE LAW) CONTAINED IN THIS CONTRACT OR IN ANY AMERICAN INSTITUTE OF ARCHITECTS DOCUMENTS PERTAINING TO THIS CONTRACT ARE HEREBY DELETED.</p> <p>WORKERS' COMPENSATION: VENDOR IS REQUIRED TO PROVIDE A CERTIFICATE FROM WORKERS' COMPENSATION IF SUCCESSFUL.</p> <p>ALL OF THE ITEMS CHECKED BELOW WILL BE A REQUIREMENT OF THIS CONTRACT:</p>						

SEE REVERSE SIDE FOR TERMS AND CONDITIONS

SIGNATURE	TELEPHONE	DATE
TITLE	FEIN	ADDRESS CHANGES TO BE NOTED ABOVE

WHEN RESPONDING TO RFQ, INSERT NAME AND ADDRESS IN SPACE ABOVE LABELED 'VENDOR'



State of West Virginia
 Department of Administration
 Purchasing Division
 2019 Washington Street East
 Post Office Box 50130
 Charleston, WV 25305-0130

Request for Quotation

RFQ NUMBER
 DEP14253

PAGE
 3

ADDRESS CORRESPONDENCE TO ATTENTION OF
 CHUCK BOWMAN
 304-558-2157

RFQ COPY
 TYPE NAME/ADDRESS HERE

VENDOR

SHIP TO

ENVIRONMENTAL PROTECTION
 DEPT. OF
 OFFICE OF SPECIAL RECLAMATION
 116 INDUSTRIAL DRIVE
 OAK HILL, WV
 25901 304-465-1911

DATE PRINTED 05/01/2008	TERMS OF SALE	SHIP VIA	F.O.B.	FREIGHT TERMS
BID OPENING DATE: 06/18/2008		BID OPENING TIME 01:30PM		

LINE	QUANTITY	UOP	CAT NO	ITEM NUMBER	UNIT PRICE	AMOUNT
				<p>(XX) INSURANCE: SUCCESSFUL VENDOR SHALL FURNISH PROOF OF COMMERCIAL GENERAL LIABILITY INSURANCE PRIOR TO ISSUANCE OF CONTRACT. UNLESS OTHERWISE SPECIFIED IN THE BID DOCUMENTS, THE MINIMUM AMOUNT OF INSURANCE COVERAGE REQUIRED IS \$250,000.</p> <p>() BUILDERS RISK INSURANCE: SUCCESSFUL VENDOR SHALL FURNISH PROOF OF BUILDERS RISK - ALL RISK INSURANCE IN AN AMOUNT EQUAL TO 100% OF THE AMOUNT OF THE CONTRACT.</p> <p>(XX) BONDS: FIVE PERCENT (5%) OF THE TOTAL AMOUNT OF THE BID PAYABLE TO THE STATE OF WEST VIRGINIA, SHALL BE SUBMITTED WITH EACH BID AS A BID BOND. THE SUCCESSFUL BIDDER SHALL ALSO FURNISH A PERFORMANCE BOND AND LABOR/MATERIAL BOND FOR 100% OF THE AMOUNT OF THE CONTRACT. BONDS MAY BE PROVIDED IN THE FORM OF A CERTIFIED CHECK IRREVOCABLE LETTER OF CREDIT, OR BOND FURNISHED BY A SOLVENT SURETY COMPANY AUTHORIZED TO DO BUSINESS IN THE STATE OF WEST VIRGINIA. A LETTER OF CREDIT SUBMITTED IN LIEU OF A PERFORMANCE AND LABOR & MATERIAL BOND WILL ONLY BE ALLOWED FOR PROJECTS UNDER \$100,000. PERSONAL OR BUSINESS CHECKS ARE NOT ACCEPTABLE IN LIEU OF THE 5% BID BOND, PERFORMANCE BOND, OR LABOR/MATERIAL BOND.</p> <p>() MAINTENANCE BOND: A TWO (2) YEAR MAINTENANCE BOND COVERING THE ROOFING SYSTEM WILL BE A REQUIREMENT OF THE SUCCESSFUL VENDOR.</p> <p>REV. 11/00</p> <p>CONTRACTORS LICENSE</p> <p>WEST VIRGINIA STATE CODE 21-11-2 REQUIRES THAT ALL PERSONS DESIRING TO PERFORM CONTRACTING WORK IN THIS</p>		

SEE REVERSE SIDE FOR TERMS AND CONDITIONS

SIGNATURE	TELEPHONE	DATE
-----------	-----------	------

TITLE	FEIN	ADDRESS CHANGES TO BE NOTED ABOVE
-------	------	-----------------------------------

WHEN RESPONDING TO RFQ, INSERT NAME AND ADDRESS IN SPACE ABOVE LABELED 'VENDOR'



State of West Virginia
 Department of Administration
 Purchasing Division
 2019 Washington Street East
 Post Office Box 50130
 Charleston, WV 25305-0130

Request for Quotation

RFQ NUMBER
DEP14253

PAGE
4

ADDRESS CORRESPONDENCE TO ATTENTION OF
CHUCK BOWMAN 304-558-2157

RFQ COPY
 TYPE NAME/ADDRESS HERE

VENDOR

SHIP TO

ENVIRONMENTAL PROTECTION
 DEPT. OF
 OFFICE OF SPECIAL RECLAMATION
 116 INDUSTRIAL DRIVE
 OAK HILL, WV
 25901 304-465-1911

DATE PRINTED 05/01/2008	TERMS OF SALE	SHIP VIA	F.O.B.	FREIGHT TERMS
BID OPENING DATE: 06/18/2008	BID OPENING TIME		01:30PM	

LINE	QUANTITY	UOP	CAT NO.	ITEM NUMBER	UNIT PRICE	AMOUNT
<p>STATE MUST BE LICENSED. THE WEST VIRGINIA CONTRACTORS LICENSING BOARD IS EMPOWERED TO ISSUE THE CONTRACTORS LICENSE. APPLICATIONS FOR A CONTRACTORS LICENSE MAY BE MADE BY CONTACTING THE WEST VIRGINIA DIVISION OF LABOR CAPITOL COMPLEX, BUILDING 3, ROOM 319, CHARLESTON, WV 25305. TELEPHONE: (304) 558-7890.</p> <p>WEST VIRGINIA STATE CODE 21-11-11 REQUIRES ANY PROSPECTIVE BIDDER TO INCLUDE THE CONTRACTORS LICENSE NUMBER ON THEIR BID.</p> <p>BIDDER TO COMPLETE: CONTRACTORS NAME - CONTRACTORS LICENSE NO. -</p> <p>THE SUCCESSFUL BIDDER IS REQUIRED TO FURNISH A COPY OF THEIR CONTRACTORS LICENSE PRIOR TO ISSUANCE OF A PURCHASE ORDER/CONTRACT.</p> <p style="text-align: center;">APPLICABLE LAW</p> <p>THE WEST VIRGINIA STATE CODE, PURCHASING DIVISION RULES AND REGULATIONS, AND THE INFORMATION PROVIDED IN THE "REQUEST FOR QUOTATION" ISSUED BY THE PURCHASING DIVISION IS THE SOLE AUTHORITY GOVERNING THIS PROCUREMENT.</p> <p>ANY INFORMATION PROVIDED IN SPECIFICATION MANUALS, OR ANY OTHER SOURCE, VERBAL OR WRITTEN, WHICH CONTRADICTS OR ALTERS THE INFORMATION PROVIDED FROM THE SOURCES AS DESCRIBED IN THE ABOVE PARAGRAPH IS VOID AND OF NO EFFECT.</p> <p>BANKRUPTCY: IN THE EVENT THE VENDOR/CONTRACTOR FILES FOR BANKRUPTCY PROTECTION, THIS CONTRACT IS AUTOMATI-</p>						

SEE REVERSE SIDE FOR TERMS AND CONDITIONS

SIGNATURE	TELEPHONE	DATE
-----------	-----------	------

TITLE	FEIN	ADDRESS CHANGES TO BE NOTED ABOVE
-------	------	-----------------------------------

WHEN RESPONDING TO RFQ, INSERT NAME AND ADDRESS IN SPACE ABOVE LABELED 'VENDOR'



State of West Virginia
 Department of Administration
 Purchasing Division
 2019 Washington Street East
 Post Office Box 50130
 Charleston, WV 25305-0130

Request for Quotation

RFQ NUMBER
 DEP14253

PAGE
 5

ADDRESS CORRESPONDENCE TO ATTENTION OF
 CHUCK BOWMAN
 304-558-2157

RFQ COPY
 TYPE NAME/ADDRESS HERE

VENDOR

SHIP TO

ENVIRONMENTAL PROTECTION
 DEPT. OF
 OFFICE OF SPECIAL RECLAMATION
 116 INDUSTRIAL DRIVE
 OAK HILL, WV
 25901 304-465-1911

DATE PRINTED	TERMS OF SALE	SHIP VIA	FOB	FREIGHT TERMS
05/01/2008				

BID OPENING DATE: 06/18/2008 BID OPENING TIME 01:30PM

LINE	QUANTITY	UOP	CAT NO.	ITEM NUMBER	UNIT PRICE	AMOUNT
<p>CALLY NULL AND VOID, AND IS TERMINATED WITHOUT FURTHER ORDER.</p> <p>PREFERENCE FOR USE OF DOMESTIC STEEL PRODUCTS</p> <p>1. EXCEPT WHEN AUTHORIZED BY THE DIRECTOR OF THE PURCHASING DIVISION PURSUANT TO SUBSECTION 2 BELOW, NO CONTRACTOR MAY USE OR SUPPLY STEEL PRODUCTS FOR A STATE CONTRACT PROJECT OTHER THAN THOSE STEEL PRODUCTS MADE IN THE UNITED STATES. AS USED USED IN THIS CONTRACT,</p> <p>A. "STATE CONTRACT PROJECT" MEANS ANY ERECTION OR CONSTRUCTION OF, OR ANY ADDITION TO, ALTERATION OF OR OTHER IMPROVEMENT TO ANY BUILDING OR STRUCTURE, INCLUDING, BUT NOT LIMITED TO, ROADS OR HIGHWAYS, OR THE INSTALLATION OF ANY HEATING OR COOLING OR VENTILATING PLANTS OR OTHER EQUIPMENT, OR THE SUPPLY OF AND MATERIALS FOR SUCH PROJECTS, PURSUANT TO A CONTRACT WITH THE STATE OF WEST VIRGINIA FOR WHICH BIDS WERE SOLICITED ON OR AFTER JUNE 6, 2001.</p> <p>B. "STEEL PRODUCTS" MEANS PRODUCTS ROLLED, FORMED SHAPED, DRAWN, EXTRUDED, FORGED, CAST, FABRICATED OR OTHERWISE SIMILARLY PROCESSED, OR PROCESSED BY A COMBINATION OF TWO OR MORE OF SUCH OPERATIONS, FROM STEEL MADE BY THE OPEN HEARTH, BASIC OXYGEN, ELECTRIC FURNACE, BESSEMER OR OTHER STEEL MAKING PROCESS.</p> <p>C. "UNITED STATES" MEANS THE UNITED STATES OF AMERICA AND INCLUDES ALL TERRITORY, CONTINENTAL OR INSULAR, SUBJECT TO THE JURISDICTION OF THE UNITED STATES.</p>						

SEE REVERSE SIDE FOR TERMS AND CONDITIONS

SIGNATURE	TELEPHONE	DATE
-----------	-----------	------

TITLE	FEIN	ADDRESS CHANGES TO BE NOTED ABOVE
-------	------	-----------------------------------

WHEN RESPONDING TO RFQ, INSERT NAME AND ADDRESS IN SPACE ABOVE LABELED 'VENDOR'



State of West Virginia
 Department of Administration
 Purchasing Division
 2019 Washington Street East
 Post Office Box 50130
 Charleston, WV 25305-0130

**Request for
 Quotation**

RFQ NUMBER
 DEP14253

PAGE
 6

ADDRESS CORRESPONDENCE TO ATTENTION OF
 CHUCK BOWMAN
 304-558-2157

RFQ COPY

TYPE NAME/ADDRESS HERE

V
E
N
D
O
R

S
H
I
P
T
O

ENVIRONMENTAL PROTECTION
 DEPT. OF
 OFFICE OF SPECIAL RECLAMATION
 116 INDUSTRIAL DRIVE
 OAK HILL, WV
 25901 304-465-1911

DATE PRINTED 05/01/2008	TERMS OF SALE	SHIP VIA	FOB	FREIGHT TERMS
BID OPENING DATE: 06/18/2008		BID OPENING TIME 01:30PM		

LINE	QUANTITY	UOP	CAT NO	ITEM NUMBER	UNIT PRICE	AMOUNT
2.						
<p>THE DIRECTOR OF THE PURCHASING DIVISION MAY, IN WRITING, AUTHORIZE THE USE OF FOREIGN STEEL PRODUCTS IF:</p> <p>A. THE COST FOR EACH CONTRACT ITEM USED DOES NOT EXCEED ONE TENTH OF ONE PERCENT (.1%) OF THE TOTAL CONTRACT COST OR TWO THOUSAND FIVE HUNDRED DOLLARS (2,500.00), WHICHEVER IS GREATER. FOR THE PURPOSES OF THIS SECTION, THE COST IS THE VALUE OF THE STEEL PRODUCT AS DELIVERED TO THE PROJECT OR,</p> <p>B. THE DIRECTOR OF THE PURCHASING DIVISION DETERMINES THAT SPECIFIED STEEL MATERIALS ARE NOT PRODUCED IN THE UNITED STATES IN SUFFICIENT QUANTITY OR OTHERWISE ARE NOT REASONABLY AVAILABLE TO MEET CONTRACT REQUIREMENTS.</p>						
3.						
<p>A CONTRACTOR WHO USES STEEL PRODUCTS IN VIOLATION OF THIS SECTION MAY BE SUBJECT TO CIVIL PENALTIES PURSUANT TO WV CODE SECTION 5A-3-56.</p> <p>REV. 10/01/01</p> <p>EXHIBIT 7</p> <p>DOMESTIC ALUMINUM, GLASS & STEEL IN PUBLIC WORKS PROJECTS</p> <p>IN ACCORDANCE WITH WEST VIRGINIA CODE 5-19-1 ET., SEQ., EVERY CONTRACT FOR CONSTRUCTION, RECONSTRUCTION, ALTERATION, REPAIR, IMPROVEMENT OR MAINTENANCE OF PUBLIC WORKS, WHERE THE COST IS MORE THAN \$50,000 AND, IN THE CASE OF STEEL ONLY, WHERE THE COST OF STEEL IS MORE THAN \$50,000 OR WHERE MORE THAN 10,000 POUNDS OF</p>						

SEE REVERSE SIDE FOR TERMS AND CONDITIONS

SIGNATURE	TELEPHONE	DATE
TITLE	FEIN	ADDRESS CHANGES TO BE NOTED ABOVE

WHEN RESPONDING TO RFQ, INSERT NAME AND ADDRESS IN SPACE ABOVE LABELED 'VENDOR'



State of West Virginia
 Department of Administration
 Purchasing Division
 2019 Washington Street East
 Post Office Box 50130
 Charleston, WV 25305-0130

Request for Quotation

RFQ NUMBER
 DEP14253

PAGE
 7

ADDRESS CORRESPONDENCE TO ATTENTION OF
 CHUCK BOWMAN
 304-558-2157

RFQ COPY
 TYPE NAME/ADDRESS HERE

VENDOR

SHIP TO

ENVIRONMENTAL PROTECTION
 DEPT. OF
 OFFICE OF SPECIAL RECLAMATION
 116 INDUSTRIAL DRIVE
 OAK HILL, WV
 25901 304-465-1911

DATE PRINTED	TERMS OF SALE	SHIP VIA	FOB	FREIGHT TERMS
05/01/2008				

BID OPENING DATE: 06/18/2008 BID OPENING TIME 01:30PM

LINE	QUANTITY	UOP	CAT NO.	ITEM NUMBER	UNIT PRICE	AMOUNT
<p>STEEL ARE REQUIRED, THE STATE WILL ACCEPT ONLY ALUMINUM GLASS, OR STEEL PRODUCTS PRODUCED IN THE UNITED STATES. IN ADDITION, ITEMS OF MACHINERY OR EQUIPMENT PURCHASED FOR USE AT THE SITE OF PUBLIC WORKS SHALL BE MADE OF DOMESTIC ALUMINUM, GLASS OR STEEL, UNLESS THE COST OF THE PRODUCT IS LESS THAN \$50,000 OR LESS THAN 10,000 POUNDS OF STEEL ARE USED IN PUBLIC WORKS PROJECTS.</p> <p>FOREIGN MADE ALUMINUM, GLASS OR STEEL PRODUCTS MAY BE ACCEPTED ONLY IF THE COST OF DOMESTIC PRODUCTS IS FOUND TO BE UNREASONABLE. SUCH COST IS UNREASONABLE IF IT IS 20% OR MORE HIGHER THAN THE BID PRICE FOR FOREIGN MADE PRODUCTS. IF THE DOMESTIC ALUMINUM, GLASS OR STEEL PRODUCTS TO BE SUPPLIED OR PRODUCED IN A "SUBSTANTIAL LABOR SURPLUS AREA", AS DEFINED BY THE UNITED STATES DEPARTMENT OF LABOR, FOREIGN PRODUCTS MAY BE SUPPLIED ONLY IF DOMESTIC PRODUCTS ARE 30% OR MORE HIGHER IN PRICE THAN THE FOREIGN MADE PRODUCTS.</p> <p>IF, PRIOR TO THE AWARD OF A CONTRACT UNDER THE ABOVE PROVISIONS, THE SPENDING OFFICER OF THE SPENDING UNIT DETERMINES THAT THERE EXISTS A BID FOR LIKE FOREIGN ALUMINUM, GLASS OR STEEL THAT IS REASONABLE AND LOWER THAN THE LOWEST BID DOMESTIC PRODUCTS, THE SPENDING OFFICE MAY REQUEST, IN WRITING, A REEVALUATION AND REDUCTION IN THE LOWEST BID FOR SUCH DOMESTIC PRODUCTS. ALL VENDORS MUST INDICATE IN THEIR BID IF THEY ARE SUPPLYING FOREIGN ALUMINUM, GLASS OR STEEL.</p> <p>REV. 3/88</p> <p>EXHIBIT 9</p> <p>NOTICE FOR ISSUANCE & ACKNOWLEDGEMENT OF CONSTRUCTION PROJECT ADDENDA</p>						

SEE REVERSE SIDE FOR TERMS AND CONDITIONS

SIGNATURE	TELEPHONE	DATE
TITLE	FEIN	ADDRESS CHANGES TO BE NOTED ABOVE

WHEN RESPONDING TO RFQ, INSERT NAME AND ADDRESS IN SPACE ABOVE LABELED 'VENDOR'



State of West Virginia
 Department of Administration
 Purchasing Division
 2019 Washington Street East
 Post Office Box 50130
 Charleston, WV 25305-0130

Request for Quotation

RFQ NUMBER
DEP14253

PAGE
8

ADDRESS CORRESPONDENCE TO ATTENTION OF
CHUCK BOWMAN 304-558-2157

RFQ COPY
 TYPE NAME/ADDRESS HERE

VENDOR

SHIP TO

ENVIRONMENTAL PROTECTION
 DEPT. OF
 OFFICE OF SPECIAL RECLAMATION
 116 INDUSTRIAL DRIVE
 OAK HILL, WV
 25901 304-465-1911

DATE PRINTED	TERMS OF SALE	SHIP VIA	FOB	FREIGHT TERMS
05/01/2008				
BID OPENING DATE: 06/18/2008		BID OPENING TIME 01:30PM		

LINE	QUANTITY	UOP	CAT NO	ITEM NUMBER	UNIT PRICE	AMOUNT
<p>THE ARCHITECT/ENGINEER AND/OR AGENCY SHALL BE REQUIRED TO ABIDE BY THE FOLLOWING SCHEDULE IN ISSUING CONSTRUCTION PROJECT ADDENDA FOR STATE AGENCIES:</p> <p>(1) THE ARCHITECT/ENGINEER SHALL PREPARE THE ADDENDUM AND A LIST OF ALL PARTIES THAT HAVE PROCURED DRAWINGS AND SPECIFICATIONS FOR THE PROJECT. THE ADDENDUM AND LIST SHALL BE FORWARDED TO THE BUYER IN THE STATE PURCHASING DIVISION. THE ARCHITECT/ENGINEER SHALL ALSO SEND A COPY OF THE ADDENDUM TO THE STATE AGENCY FOR WHICH THE CONTRACT IS ISSUED.</p> <p>(2) THE BUYER SHALL SEND THE ADDENDUM TO ALL INTERESTED PARTIES AND, IF NECESSARY, EXTEND THE BID OPENING DATE. ANY ADDENDUM SHOULD BE RECEIVED BY THE BUYER WITHIN FOURTEEN (14) DAYS PRIOR TO THE BID OPENING DATE.</p> <p>(3) ALL ADDENDA SHOULD BE FORMALLY ACKNOWLEDGED BY ALL BIDDERS AND SUBMITTED TO THE STATE PURCHASING DIVISION. THE SAME RULES AND REGULATIONS THAT APPLY TO THE ORIGINAL BIDDING DOCUMENT SHALL ALSO APPLY TO AN ADDENDUM DOCUMENT. THE ONLY EXCEPTION MAY BE FOR AN ADDENDUM THAT IS ISSUED FOR THE SOLE PURPOSE OF CHANGING A BID OPENING TIME AND/OR DATE.</p> <p>REV. 11/96</p> <p>EXHIBIT 10</p> <p>DEP14253</p> <p>ADDENDUM ACKNOWLEDGEMENT</p> <p>I HEREBY ACKNOWLEDGE RECEIPT OF THE FOLLOWING CHECKED ADDENDUM(S) AND HAVE MADE THE NECESSARY REVISIONS TO</p>						

SEE REVERSE SIDE FOR TERMS AND CONDITIONS

SIGNATURE	TELEPHONE	DATE
TITLE	FEIN	ADDRESS CHANGES TO BE NOTED ABOVE

WHEN RESPONDING TO RFQ, INSERT NAME AND ADDRESS IN SPACE ABOVE LABELED 'VENDOR'



State of West Virginia
 Department of Administration
 Purchasing Division
 2019 Washington Street East
 Post Office Box 50130
 Charleston, WV 25305-0130

Request for Quotation

RFQ NUMBER
 DEP14253

PAGE
 9

ADDRESS CORRESPONDENCE TO ATTENTION OF
 CHUCK BOWMAN
 304-558-2157

RFQ COPY
 TYPE NAME/ADDRESS HERE

V
E
N
D
O
R

S
H
I
P
T
O

ENVIRONMENTAL PROTECTION
 DEPT. OF
 OFFICE OF SPECIAL RECLAMATION
 116 INDUSTRIAL DRIVE
 OAK HILL, WV
 25901 304-465-1911

DATE PRINTED 05/01/2008	TERMS OF SALE	SHIP VIA	F.O.B.	FREIGHT TERMS
----------------------------	---------------	----------	--------	---------------

BID OPENING DATE: 06/18/2008 BID OPENING TIME 01:30PM

LINE	QUANTITY	UOP	CAT NO	ITEM NUMBER	UNIT PRICE	AMOUNT
MY PROPOSAL, PLANS AND/OR SPECIFICATION, ETC. ADDENDUM NOS.: NO. 1 NO. 2 NO. 3 NO. 4 NO. 5						
I UNDERSTAND THAT FAILURE TO CONFIRM THE RECEIPT OF THE ADDENDUM(S) MAY BE CAUSE FOR REJECTION OF THE BIDS. VENDOR MUST CLEARLY UNDERSTAND THAT ANY VERBAL REPRESENTATION MADE OR ASSUMED TO BE MADE DURING ANY ORAL DISCUSSION HELD BETWEEN VENDOR'S REPRESENTATIVES AND ANY STATE PERSONNEL IS NOT BINDING. ONLY THE INFORMATION ISSUED IN WRITING AND ADDED TO THE SPECIFICATIONS BY AN OFFICIAL ADDENDUM IS BINDING.						
.....SIGNATURECOMPANYDATE						
REV. 11/96						
NOTICE						

SEE REVERSE SIDE FOR TERMS AND CONDITIONS

SIGNATURE		TELEPHONE	DATE
TITLE	FEIN	ADDRESS CHANGES TO BE NOTED ABOVE	

WHEN RESPONDING TO RFQ, INSERT NAME AND ADDRESS IN SPACE ABOVE LABELED 'VENDOR'



State of West Virginia
 Department of Administration
 Purchasing Division
 2019 Washington Street East
 Post Office Box 50130
 Charleston, WV 25305-0130

Request for Quotation

RFQ NUMBER
 DEP14253

PAGE
 10

ADDRESS CORRESPONDENCE TO ATTENTION OF
 CHUCK BOWMAN
 304-558-2157

RFQ COPY
 TYPE NAME/ADDRESS HERE

VENDOR

SHIP TO

ENVIRONMENTAL PROTECTION
 DEPT. OF
 OFFICE OF SPECIAL RECLAMATION
 116 INDUSTRIAL DRIVE
 OAK HILL, WV
 25901 304-465-1911

DATE PRINTED	TERMS OF SALE	SHIP VIA	FOB	FREIGHT TERMS
05/01/2008				
BID OPENING DATE: 06/18/2008		BID OPENING TIME 01:30PM		

LINE	QUANTITY	UOP	CAT NO	ITEM NUMBER	UNIT PRICE	AMOUNT
<p>A SIGNED BID MUST BE SUBMITTED TO:</p> <p>DEPARTMENT OF ADMINISTRATION PURCHASING DIVISION BUILDING 15 2019 WASHINGTON STREET, EAST CHARLESTON, WV 25305-0130</p> <p>THE BID SHOULD CONTAIN THIS INFORMATION ON THE FACE OF THE ENVELOPE OR THE BID MAY NOT BE CONSIDERED:</p> <p>SEALED BID</p> <p>BUYER: CB-23</p> <p>REQ. NO.: DEP14253</p> <p>BID OPENING DATE: 06/18/2008</p> <p>BID OPENING TIME: 1:30 P.M.</p> <p>PLEASE PROVIDE A FAX NUMBER IN CASE IT IS NECESSARY TO CONTACT YOU REGARDING YOUR BID:</p> <p>-----</p> <p>PLEASE PRINT OR TYPE NAME OF PERSON TO CONTACT CONCERNING THIS QUOTE:</p> <p>-----</p> <p>ACCOUNT INFORMATION: 3321-2008-0313-099-830</p>						

SEE REVERSE SIDE FOR TERMS AND CONDITIONS

SIGNATURE	TELEPHONE	DATE
TITLE	FEIN	ADDRESS CHANGES TO BE NOTED ABOVE

WHEN RESPONDING TO RFQ, INSERT NAME AND ADDRESS IN SPACE ABOVE LABELED 'VENDOR'

BUYER CB-23	PAGE 011	REQ. or P.O. No. DEP14253
SPENDING UNIT WEST VIRGINIA DEPARTMENT OF ENVIRONMENTAL PROTECTION/ SPECIAL RECLAMATION		

WV-36
REV. 1/29/02
VENDOR:

STATE OF WEST VIRGINIA
PURCHASING CONTINUATION SHEET

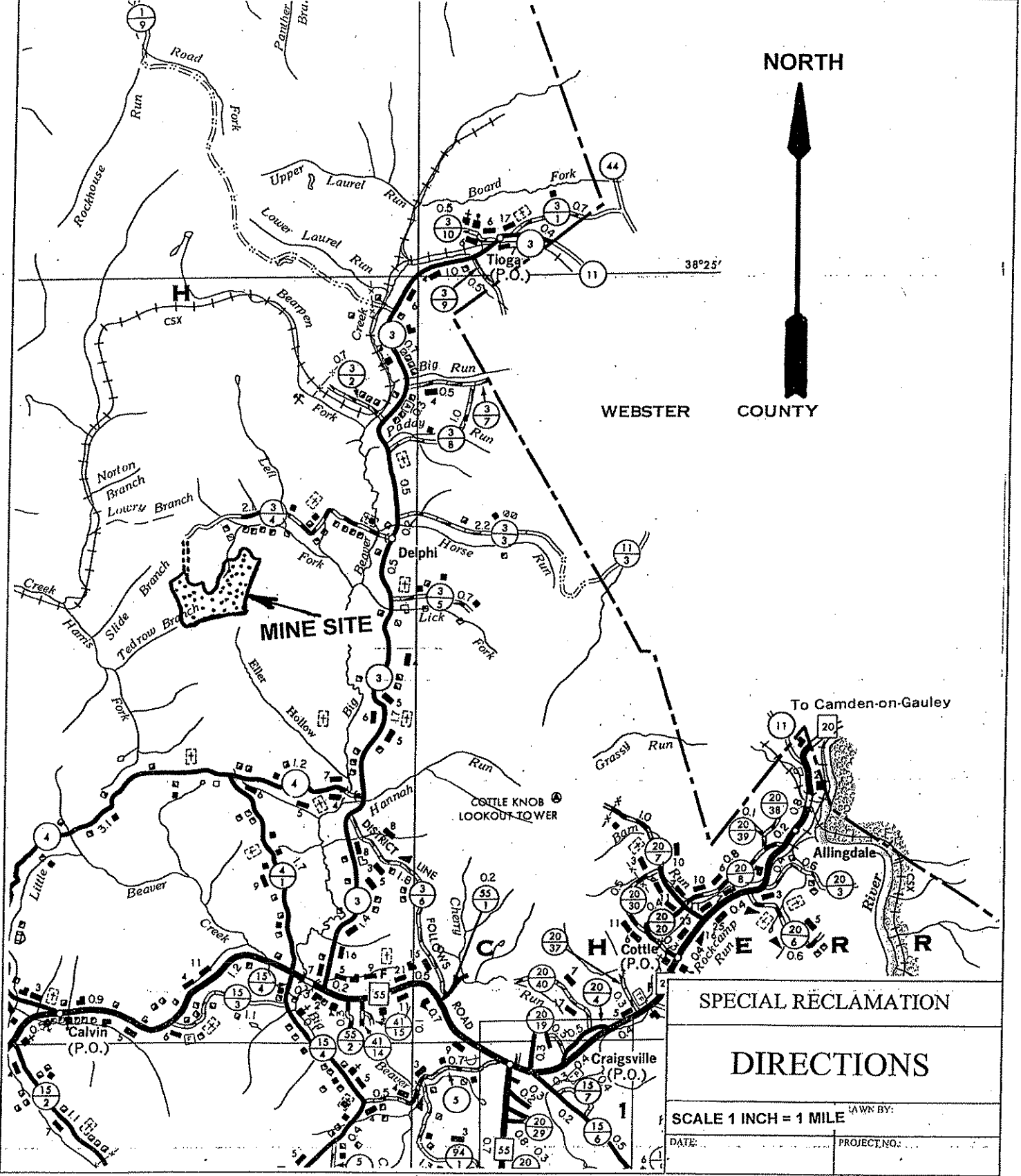
Site Directions

**Lodestar Energy, Inc.
Permit # S-19-85**

From Calvin post office, travel approximately 2.5 miles east on Rt. 55. Turn left past the Ranch House Restaurant onto Rt. 3. Travel approximately 3.7 miles and turn left onto Delphi Road (Rt. 3/4). Travel approximately two miles to end of road and end at gate to site.

SPECIAL RECLAMATION	
DIRECTIONS	
SCALE: Not To Scale	DRAWN BY:
DATE:	PROJECT NO.:

WV-36
 REV. 1/29/02
 VENDOR:
 STATE OF WEST VIRGINIA
 PURCHASING CONTINUATION SHEET



SPECIAL RECLAMATION	
DIRECTIONS	
SCALE 1 INCH = 1 MILE	LAWN BY:
DATE:	PROJECT NO.:

BUYER CB-23	PAGE 013	REQ. OR PO NO. DEP14253
SPENDING UNIT WEST VIRGINIA DEPARTMENT OF ENVIRONMENTAL PROTECTION/OFFICE OF SPECIAL RECLAMATION		

WV-36a STATE OF WEST VIRGINIA
REV. 1/29/02 PURCHASING CONTINUATION SHEET
VENDOR:

SCOPE OF WORK

The successful bidder shall provide appropriate equipment, materials, labor and any technical services needed for the successful reclamation of Lodestar Energy, Inc., Permit S-19-85, and any disturbance associated with such operation. The General Performance Standards (GPS) shall apply to all items in Scope of Work.

Work necessary on this site will include the following items, but is not limited to these:

1. Upon mobilization to the site, which will be directed in a written Notice to Proceed, the access roads shall be developed in accordance with bid item # 3.0. If, fuel and lubricants are to be stored on site, bid item # 2.0 shall be in place before fuel is delivered. Project sign shall be constructed and erected in accordance with attached specifications. The sign shall be maintained during the construction activities and through the life of the warranty period. Sign cost is a No Bid Item and included with mobilization cost. No work shall be authorized or allowed at this site until sign is constructed and erected on site and approved by DEP.
2. Storm water management, as necessary, in the form as described, in the attached National Pollutant Discharge Elimination System, Water Pollution Control Permit Number WV0115924, existing sediment control ponds and in additional bid item # 13.0 shall be installed.
3. Concurrent and continuous reclamation shall be maintained throughout the life of the project. Backfill is required for all areas. Regrading and topsoiling are required for all areas. Revegetation and soil improvements are required for all areas. Reclamation is to be according to the attached specifications, plans, and clarifying discussions at the Pre-Bid Conference.
4. Construction stakeout as necessary to carry out work. (Bid Item # 7.0)
5. Check for and locate all utilities within the work area to provide and maintain a safe working area in addition to preventing damage to the utility.
6. Remove any and all debris from site. Contractor must provide documentation of proper disposal. Debris removal is incidental and included in the Mobilization/Demobilization bid item.
7. Eliminate approximately 1,000 linear feet of existing Sediment Ditch One (1) and regrade to establish a sheet flow drainage pattern on those areas as indicated on the Overview Map. Clean out the remainder of existing Sediment Ditch One (1), as indicated on the Overview Map, and remove the existing spillway along with any other obstructions, in order to provide drainage flow southwest toward the proposed aqua-fix system. Construct two (2) cutoff trenches in the areas as indicated on the Ditch Map. Cleaning out remainder of Sediment Ditch One (1) by removing the existing spillway along with any other obstructions is incidental to and included in Eliminate Part of Existing Sediment Ditch One (1) bid item.

BUYER CB-23	PAGE 014	REQ. OR PO NO. DEP14253
SPENDING UNIT		
WEST VIRGINIA DEPARTMENT OF ENVIRONMENTAL PROTECTION/OFFICE OF SPECIAL RECLAMATION		

WV-36a STATE OF WEST VIRGINIA
REV. 1/29/02 PURCHASING CONTINUATION SHEET
VENDOR:

8. Construct a water treatment facility. This shall consist of an "Aqua-Fix" system Model MSS-SM-OA-10 equipped with a 250:1 gearbox. This will include the construction and installation of the concrete foundation, water intake lines, aqua fix dosing unit, ten (10) ton silo, steel enclosure, and a crane for lifting the unit and silo. (See Attached Details and Specifications)
9. Note: The construction of all water treatment facilities on this project must be tested and found to be completely functional. The WV DEP representative must be present during the testing procedures for acceptance and payment of these items. The items of this requirement include Aqua-Fix Water Treatment System, HDPE pipelines, ponds, valves, and manholes. They are to collect, hold, convey, treat and discharge water as designed. The HDPE pipelines are to hold pressure without leaking and the valves are to open and shut off without leaking. Newly constructed treatment ponds shall be over excavated one (1) foot and lined with a double layer of woven filter fabric and covered with the best available clay type soil material on site. All ponds, including existing ponds to be cleaned, shall hold water and not leak. (See detail plans and specifications).
10. Note: The concrete mixing flume in the foundation of the Aqua-Fix Unit Number One (1) shall have a section of 12 inch HDPE DR17, at both the inlet and outlet ends, grouted in at a level that allows the flowline of the pipe to match the flowline of the flume and to allow backfilling of the foundation.
11. Note: The Aqua-Fix Water Treatment Facility Number One (1) concrete foundation's water and lime mixing flume shall have recessed into the floor a standard one (1) inch steel floor grating covering the flume for safety purposes. The lime discharge chute, water drive wheel and the two (2) inch diameter by-pass line shall be custom fitted into the floor grating. The one (1) inch floor grating shall be removable in sections and not cast-in-place as to allow access to flume.
12. Note: The "Aqua-Fix Water Treatment" mechanisms shall have one (1) common standard "grease bib" to facilitate maintenance located in an easily accessible area and are to have rubber grease hoses and direct connections with pipe fittings. Grease hose snap on fittings are not acceptable connections.
13. Note: All stainless steel knife valves, connecting bolts, flat washers, and nuts shall be "316 Grade" stainless steel. All bolted connections shall be equipped with a red rubber gasket. Note: Stainless steel nuts and bolts have a tendency to gall and seize. Never use impact tools... use only hand tools. Water proof anti-seize thread lubricant shall be used on all stainless nuts and bolts on this project during assembly to prevent thread gulling, corrosion and to assure easy disassembly.
14. Note: All HDPE pipe on this project shall be fused on site and the joints shall not leak. All water and/or sludge lines shall have a minimum of 2 feet of soil cover to protect from freezing and from damage from equipment.
15. Construct Ditch One (1). This limestone Rip-Rap V-ditch will run approximately 200 feet from the Southwest end of the Existing Sediment Ditch One (1) to the trough of the Aqua-Fix. (See Specifications)

BUYER CB-23	PAGE 15	REQ. OR PO NO. DEP14253
SPENDING UNIT		
WEST VIRGINIA DEPARTMENT OF ENVIRONMENTAL PROTECTION/OFFICE OF SPECIAL RECLAMATION		

WV-36a STATE OF WEST VIRGINIA
REV. 1/29/02 PURCHASING CONTINUATION SHEET
VENDOR:

16. Construct a twelve (12) foot by twenty (20) foot by four (4) foot thick Seep Collection Drain to collect the AMD seepage on the face of the backfilled mine area. The Seep Collection Drain shall be constructed of number four (4) clean sandstone and will be covered with non-woven filter fabric. A twelve (12) inch HDPE DR17 pipe will convey the seepage from the collection drain directly into the manhole. NOTE: Twelve (12) inch HDPE DR17 pipe will be directly connected to the manhole with hydraulic grout. NOTE: The Seep Collection Drain shall be constructed in such a configuration to drain directly into a perforated section of a twelve (12) inch HDPE DR 17 pipe. (See Attached Details and Specs)
17. Install Manhole One (1) below Seep Collection Drain. (See Specifications) NOTE: The manhole on this project shall be equipped with a six (6) inch HDEP DR17 drain pipe located in the bottom of the manhole and equipped with a six (6) inch stainless steel knife valve. The six (6) inch line shall drain into Ditch Two (2) at this location.
18. Install a four (4) inch HDPE DR17 drive line for Aqua-Fix Number One (1). The drive line shall run from the manhole number one (1) to the Aqua-Fix Number One (1). The intake end of the drive line shall be plumbed into the manhole number one (1) with the top of the pipe six (6) inches below the elevation of the discharge pipe flow line from the seep collection drain and be sealed with hydraulic grout to assure no leakage. Approximately fifteen (15) linear feet of twelve (12) inch HDPE DR17 discharge line shall be installed to carry excess water from manhole number one (1) to Ditch 1. The discharge line shall be plumbed into manhole number one (1) at the same elevation of the discharge pipe from the seep collection underdrain. **NOTE: Intake end of the drive line shall be equipped with rust resistant screens. The four (4) inch drive line shall extend up through the floors/foundations of the Aqua-Fix unit and shall be equipped with a four (4) inch stainless steel knife valve to allow it to discharge into the trough and shall also have a two (2) inch HDPE to stainless steel threaded pipe transition stubbed up vertically to drive the Aqua-Fix Number One (1).**
19. **Note: The seep collection drain, manhole number one (1), and HDPE lines shall be incidental to and included in bid item Aqua-Fix Number One (1) "Water Intake Lines to Drive Unit" bid item. (See Details and Specification)**
20. **Note: All stainless steel knife valves on this project shall be enclosed in a valve box of the round plastic meter box type covered with an insulation pad and metal cover.**
21. Construct Ditch Two (2). This limestone Rip-Rap V-ditch will run approximately 160 feet and carry the over flow from Manhole One (1) and any additional seepage to the Aqua-Fix trough. (See Specifications)
22. Construct Sludge Cells One (1), Two (2), and Three (3) constructing approximately a Twenty (20) foot berm between each cell. (See Specifications) NOTE: Existing Diversion Ditches above and around Sludge Cell area shall be left intact.

BUYER CB-23	PAGE 016	REQ. OR PO NO. DEP14253
SPENDING UNIT		
WEST VIRGINIA DEPARTMENT OF ENVIRONMENTAL PROTECTION/OFFICE OF SPECIAL RECLAMATION		

WV-36a STATE OF WEST VIRGINIA
REV. 1/29/02 PURCHASING CONTINUATION SHEET
VENDOR:

23. Construct Ditch Three (3). This limestone Rip-Rap Trapezoidal ditch will run approximately Twenty Five (25) feet from outlet of sludge lines to the bottom of Sludge Cell Three (3). (See Specifications)
24. Construct Ditch Four (4). This limestone Rip-Rap Trapezoidal ditch will run approximately Forty-Four (44) feet from the bottom of Sludge Cell Three (3) to the bottom of Sludge Cell Two (2). (See Specifications)
25. Construct Ditch Five (5). This limestone Rip-Rap Trapezoidal ditch will run approximately Forty-Four (44) feet from the bottom of Sludge Cell Two (2) to the bottom of Sludge Cell One (1). (See Specifications)
26. Construct Ditch Six (6). This limestone Rip-Rap V-ditch will run approximately 200 Feet from Sludge Cell 1 to Ditch 2. (See Specifications)
27. Construct Ditch Seven (7). This One (1) foot parabolic bottom 100 percent Grouted Limestone Rip-Rap ditch will run approximately Five Hundred (500) feet from the exit of the trough of the Aqua-Fix and carry the flow through Weir One (1) and into Pond One (1). Note: The construction of this ditch may require chipping and/or blasting of pit floor. (See Specifications)
28. Construct Weir One (1), Weir Two (2), and Weir Three (3). (See Specifications)
29. Construct three (3) six (6) inch HDPE DR17 sludge lines. Sludge Line One (1) approximately 800 linear feet, Sludge Line Two (2) approximately 700 linear feet, and Sludge Line Three (3) approximately 700 linear feet.
30. Construct Pond One (1) approximately One Hundred (100) feet long and Fifty (50) feet wide at water level, leaving a Twenty (20) foot berm between this pond and Pond Two (2). All ponds, including existing ponds to be cleaned, shall hold water and not leak. (See Specifications) **NOTE: Construction of Sludge Line One (1) is incidental and included in Construct Pond Number One (1) Bid Item.**
31. Construct Spillway One (1). (See Specifications)
32. Construct Pond Two (2) approximately One Hundred (100) feet long and Fifty (50) wide at water level, leaving a Twenty (20) foot berm between this pond and Pond Three (3). **NOTE: Construction of Sludge Line Two (2) is incidental and included in Construct Pond Number Two (2) Bid Item.**
33. Construct Spillway Two (2). (See Specifications)
34. Construct Pond Three (3) approximately One Hundred (100) feet long and Fifty (50) wide at water level. (See Specifications) **NOTE: Construction of Sludge Line Three (3) is incidental and included in Construct Pond Number Three (3) Bid Item.**

BUYER CB-23	PAGE 017	REQ. OR PO NO. DEP14253
SPENDING UNIT		
WEST VIRGINIA DEPARTMENT OF ENVIRONMENTAL PROTECTION/OFFICE OF SPECIAL RECLAMATION		

WV-36a STATE OF WEST VIRGINIA
REV. 1/29/02 PURCHASING CONTINUATION SHEET
VENDOR:

35. Construct Spillway Three (3). (See Specifications)
36. **NOTE: Construction of Ponds One (1), Two (2), and Three (3) shall include the installation of two (2) sets of floating baffle curtains in each pond. Cost of curtains shall be incidental to and included in Pond Construction bid item. NOTE: All floating baffle curtains on this project shall be Aer-Flo, Inc. Tough Guy Turbidity Barrier Type 2 DOT (or equivalent) with 22 ounce vinyl coated polyester fabric, aluminum stress plates at top and bottom corners, 5/16 inch galvanized steel ballast chain, and a 5/16 inch vinyl coated galvanized steel topload cable. The 5/16 inch vinyl coated galvanized steel topload cable shall be extended out to the point of anchorage.**
37. **Note: Both ends of all sludge lines on this project shall be equipped with flanged ends, stainless steel flange backup rings, HDPE caps, rubber gaskets, and stainless steel nuts, bolts, and washers. The orientation of the end located at each pond shall be reviewed and approved by the DEP agent on site.**
38. Construct Ditch Eight (8). This Rip-Rap Trapezoidal Ditch will run approximately 500 linear feet from Weir One (1) to Spillway Three (3), from Weir Two (2) to Pond Two (2), and from Weir Three (3) to Pond Three (3) Spillway Outlet and beginning of Ditch Nine (9). (See Specifications)
39. Construct Ditch Nine (9). This Rip-Rap V Ditch will run approximately 100 linear feet from Spillway Three (3) to Valley Fill Core.
40. Upgrade Access Road One (1) approximately Five Thousand Two Hundred and Eighty (5,280) linear feet from gate to Aqua-Fix site by regrading the subgrade, compacting subgrade, and placing road stabilization fabric and six (6) inch of one-and-one-half (1½) inch crusher run limestone to a twelve (12) foot running width. (See Details and Specifications) NOTE: A thirty (30) foot eighteen (18) inch HDPE DR17 or High Q pipe shall be installed at crossing of Ditch Seven (7) for landowner access beyond the Aqua-Fix Treatment System. NOTE: Repair the existing gate at beginning of Access Road One (1). Cost of the gate repair and required pipe shall be incidental to and included in the Access Road bid item. The gate shall be repaired as necessary, including gate lock housing shall be repaired to accommodate a double lock system. (See Specifications)
41. Construct Access Road Two (2) approximately Seventeen Hundred and Fifty (1,750) linear feet to and encircling existing pond by constructing/regrading the subgrade, compacting subgrade, and placing road stabilization fabric and six (6) inch of one-and-one-half (1½) inch crusher run limestone to a twelve (12) foot running width. (See Details and Specifications) NOTE: A grouted drive-through shall be installed in the Entrance Channel of existing pond for the road crossing. (See Specifications)

BUYER CB-23	PAGE 18	REQ. OR PO NO. DEP14253
SPENDING UNIT WEST VIRGINIA DEPARTMENT OF ENVIRONMENTAL PROTECTION/OFFICE OF SPECIAL RECLAMATION		

WV-36a STATE OF WEST VIRGINIA
REV. 1/29/02 PURCHASING CONTINUATION SHEET
VENDOR:

42. Note: All drive-through crossings on this project shall have side slopes of 5 horizontal to 1 vertical and shall maintain the designed flow depth. (See Specifications)
43. Construct Ditch Ten (10). This limestone rip-rap V-Ditch Ten (10) will run approximately 525 linear feet from hillside seep to Existing Sediment Ditch One (1).
44. Construct Access Road Three (3) approximately Seven Hundred (700) linear feet from existing Access Road One (1) to newly constructed treatment ponds by constructing/regrading the subgrade, compacting subgrade, and placing road stabilization fabric and six (6) inch of one-and-one-half (1½) inch crusher run limestone to a twelve (12) foot running width. (See Details and Specifications) (See Specifications) Install a 30 linear foot 18 inch HDPE DR17 or High Q pipe to connect existing Diversion Ditch to Valley Fill core. Pipe shall be incidental to and included in the Access Road Three (3) bid item.
45. Upgrade the existing pond by cleaning to One Hundred (100) percent to a minimum water depth of six (6) feet.
46. Construct existing pond Entrance Channel. Existing pond shall have a grouted drive-through crossing for access road.
47. Construct existing Pond Spillway Four (4). (See Specifications)
48. Re-grade approximately 2,120 linear feet of the Existing Sediment Ditch Two (2) to sheet flow drainage pattern.
49. Construct Security Fence including three (3) twenty (20) foot wide double gates around water treatment area as shown on attachments. Cost and measurement of the gates shall be included in the total linear foot measurement of Security Fence.
50. Install 500 linear feet of haybale dike for sediment control during and after construction.
51. Regrade and revegetate a total of approximately eight (8) acres on the permit.

I David L. Martin, Sr., the undersigned, hereby certify ¹ that this Reclamation Plan is correct and shows to the best of my knowledge and belief all the information required by the surface mining laws of the State of West Virginia. The source of information was the approved mining and reclamation plan contained in the forfeited surface mine permit, existing site conditions and information contained in the WV DEP, Inspection and Enforcement files.

David L. Martin, Sr.
Registered Professional Engineer WV No. 7202 Date: APRIL 11, 2008

¹ The term "certify" as used herein is defined as follows: An engineer's certification of conditions is a declaration of professional judgment. It does not constitute a warranty or guarantee, either expressed or implied.

WV-36 STATE OF WEST VIRGINIA
 REV. 1/29/02 PURCHASING CONTINUATION SHEET
 VENDOR:

ITEM NO.	QUANTITY	DESCRIPTION	UNIT PRICE	AMOUNT
BID SCHEDULE				
PERMIT NAME: <u>Lodestar Energy, Inc.</u>				
PERMIT NUMBER(S): <u>S-19-85</u>				
The DEP reserves the right to request additional information and supporting documentation regarding unit prices when the unit price appears to be unreasonable.				
1.0	LUMP SUM	<u>MOBILIZATION/DEMOBILIZATION</u> (5% Total Bid Maximum for this permit)	LUMP SUM	\$ _____
2.0	LUMP SUM	<u>SPILL CONTAINMENT AREA (S.C.A.)</u> (\$1,000.00 Maximum Bid for this permit)	LUMP SUM	\$ _____
3.0	LUMP SUM	<u>HAULROAD/ACCESS ROAD</u> (5% Total Bid Maximum for this permit)	LUMP SUM	\$ _____
4.0	LUMP SUM	<u>BACKFILLING</u>	LUMP SUM	\$ _____
5.0	LUMP SUM	<u>REGRAIDING AND TOPSOILING</u>	LUMP SUM	\$ _____
6.0		<u>REVEGETATION</u>		
6.1	LUMP SUM	<u>AGRICULTURAL LIME</u>	LUMP SUM	\$ _____
6.2	LUMP SUM	<u>FERTILIZER</u>	LUMP SUM	\$ _____
6.3	LUMP SUM	<u>MULCH</u>	LUMP SUM	\$ _____
6.4	LUMP SUM	<u>VEGETATIVE SPECIES</u>	LUMP SUM	\$ _____
7.0	LUMP SUM	<u>CONSTRUCTION STAKEOUT</u> (Limited to 5% Total Bid For This Permit)	LUMP SUM	\$ _____
8.0		<u>CONSTRUCTED SEDIMENT CONTROL STRUCTURES</u>		
8.1	LUMP SUM	<u>CONSTRUCT POND NUMBER ONE (1)</u>	LUMP SUM	\$ _____
8.2	LUMP SUM	<u>CONSTRUCT POND NUMBER TWO (2)</u>	LUMP SUM	\$ _____

BUYER CB-23	PAGE 020	REQ. OR PO NO. DEP14253
SPENDING UNIT		
WEST VIRGINIA DEPARTMENT OF ENVIRONMENTAL PROTECTION/ OFFICE OF SPECIAL RECLAMATION		

WV-36 STATE OF WEST VIRGINIA
REV. 1/29/02 PURCHASING CONTINUATION SHEET
VENDOR:

ITEM NO.	QUANTITY	DESCRIPTION	UNIT PRICE	AMOUNT
8.3	LUMP SUM	<u>CONSTRUCT POND NUMBER THREE (3)</u>	LUMP SUM	\$
9.0		<u>CONSTRUCT SLUDGE DRYING CELLS</u>		
9.1	LUMP SUM	<u>SLUDGE DRYING CELL NUMBER ONE (1)</u>	LUMP SUM	\$
9.2	LUMP SUM	<u>SLUDGE DRYING CELL NUMBER TWO (2)</u>	LUMP SUM	\$
9.3	LUMP SUM	<u>SLUDGE DRYING CELL NUMBER THREE (3)</u>	LUMP SUM	\$
10.0		<u>EXISTING SEDIMENT CONTROL STRUCTURES</u>		
10.1	LUMP SUM	<u>UPGRADE EXISTING POND</u>	LUMP SUM	\$
10.2	LUMP SUM	<u>ELIMINATE PART OF EXISTING SEDIMENT DITCH ONE (1)</u>	LUMP SUM	\$
10.3	LUMP SUM	<u>ELIMINATE EXISTING SEDIMENT DITCH TWO (2)</u>	LUMP SUM	\$
11.0		<u>CONSTRUCTED ACCESS ROADS</u>		
11.1	LUMP SUM	<u>UPGRADE ACCESS ROAD NUMBER ONE (1)</u>	LUMP SUM	\$
11.2	LUMP SUM	<u>CONSTRUCT ACCESS ROAD NUMBER TWO (2)</u>	LUMP SUM	\$
11.3	LUMP SUM	<u>CONSTRUCT ACCESS ROAD NUMBER THREE (3)</u>	LUMP SUM	\$
12.0	2600 LF	<u>SECURITY FENCE</u>	\$	\$
			PER LF	
13.0	500 LF	<u>HAYBALE DIKE (Max. Bid \$5.00 Per LF)</u>	\$	\$
			PER LF	
14.0		<u>RIP-RAP DITCH</u>		
14.1	LUMP SUM	<u>RIP-RAP DITCH ONE (1)</u>	LUMP SUM	\$
14.2	LUMP SUM	<u>RIP-RAP DITCH TWO (2)</u>	LUMP SUM	\$
14.3	LUMP SUM	<u>RIP-RAP DITCH THREE (3)</u>	LUMP SUM	\$
14.4	LUMP SUM	<u>RIP-RAP DITCH FOUR (4)</u>	LUMP SUM	\$

WV-36 STATE OF WEST VIRGINIA
 REV. 1/29/02 PURCHASING CONTINUATION SHEET
 VENDOR:

ITEM NO.	QUANTITY	DESCRIPTION	UNIT PRICE	AMOUNT
14.4	LUMP SUM	<u>RIP-RAP DITCH FIVE (5)</u>	LUMP SUM	\$ _____
14.5	LUMP SUM	<u>RIP-RAP DITCH SIX (6)</u>	LUMP SUM	\$ _____
14.6	LUMP SUM	<u>RIP-RAP DITCH EIGHT (8)</u>	LUMP SUM	\$ _____
14.7	LUMP SUM	<u>RIP-RAP DITCH NINE (9)</u>	LUMP SUM	\$ _____
14.8	LUMP SUM	<u>RIP-RAP DITCH TEN (10)</u>	LUMP SUM	\$ _____
15.0		<u>GRouted RIP-RAP DITCH</u>		
15.1	LUMP SUM	<u>PARABOLIC GRouted RIP-RAP DITCH SEVEN (7)</u>	LUMP SUM	\$ _____
15.2	LUMP SUM	<u>GRouted SPILLWAY ONE (1)</u>	LUMP SUM	\$ _____
15.3	LUMP SUM	<u>GRouted SPILLWAY TWO (2)</u>	LUMP SUM	\$ _____
15.4	LUMP SUM	<u>GRouted SPILLWAY THREE (3)</u>	LUMP SUM	\$ _____
15.5	LUMP SUM	<u>GRouted SPILLWAY "EXISTING POND" FOUR (4)</u>	LUMP SUM	\$ _____
15.6	LUMP SUM	<u>GRouted "EXISTING POND" ENTRANCE CHANNEL</u>	LUMP SUM	\$ _____

BUYER CB-23	PAGE 23	REQ. OR PO NO. DEP14253
SPENDING UNIT		
WEST VIRGINIA DEPARTMENT OF ENVIRONMENTAL PROTECTION/ OFFICE OF SPECIAL RECLAMATION		

WV-36a STATE OF WEST VIRGINIA
 REV. 1/29/02 PURCHASING CONTINUATION SHEET
 VENDOR:

ITEM NO.	QUANTITY	DESCRIPTION	UNIT PRICE	AMOUNT
16.0		<u>CUTOFF TRENCH CONSTRUCTION</u>		
16.1	LUMP SUM	<u>CUTOFF TRENCH NUMBER ONE (1)</u>	LUMP SUM	\$ _____
16.2	LUMP SUM	<u>CUTOFF TRENCH NUMBER TWO (2)</u>	LUMP SUM	\$ _____
17.0	NO BID ITEM	<u>UTILITIES</u>	NO BID ITEM	
18.0		<u>AQUA FIX WATER TREATMENT FACILITY</u>		
18.1	LUMP SUM	<u>FOUNDATION AND STRUCTURAL ELEMENTS</u>	LUMP SUM	\$ _____
18.2	LUMP SUM	<u>SUB-FOUNDATION PREPARATION</u>	LUMP SUM	\$ _____
18.3	LUMP SUM	<u>CRANE</u>	LUMP SUM	\$ _____
18.4	LUMP SUM	<u>DOSING UNIT AND SILO</u>	LUMP SUM	\$ _____
18.5	LUMP SUM	<u>WATER INTAKE LINES TO DRIVE UNIT</u>	LUMP SUM	\$ _____
		TOTAL FOR PERMIT <u>S-19-85</u>		\$ _____

BUYER CB-23	PAGE 023	REQ. OR PO NO. DEP14253
SPENDING UNIT		
WEST VIRGINIA DEPARTMENT OF ENVIRONMENTAL PROTECTION/ OFFICE OF SPECIAL RECLAMATION		

WV-36a STATE OF WEST VIRGINIA
REV. 1/29/02 PURCHASING CONTINUATION SHEET
VENDOR:

BID ITEM TECHNICAL SPECIFICATIONS

1.0 MOBILIZATION/DEMOBILIZATION

This work shall consist of the performance of construction preparatory operations, including the movement of personnel, equipment and other facilities to the project site necessary to begin work on a substantial phase of the contract. It shall also include installation of a project sign according to the attached specification and all demobilization activities. No deduction will be made nor will any increase be made in the Lump Sum Mobilization/Demobilization Item Amount, regardless of decreases or increases in the final total contract amount or for any other cause. (Shall not exceed 5% of the Total Bid for this permit.)

Prior to demobilization, an inspection is required to be conducted by the Department of Environmental Protection's Specialist and the contractor to insure compliance with contract performance.

2.0 SPILL CONTAINMENT AREA (S.C.A.)

Spill containment measures shall be used for fuel and lubricant storage areas. All containers, barrels, buckets, cans, etc., are to be legally disposed of off site. Used lubricants are to be disposed of according to state law to minimize pollution to the local surface and ground water supplies. Spills are the responsibility of the contractor and need immediate clean up and maintained at no expense to the State. This S.C.A. shall be constructed in accordance with the typical drawing specification. (See Attachment) Alternate containment measures will be considered for approval by the Program Manager if acceptable results can be shown. Fuel tanks manufactured with secondary containment are acceptable. Minimum secondary containment is 110 percent. (Bid limited to \$1,000.00 maximum)

3.0 HAULROAD/ACCESS ROAD

The contractor shall maintain and/or construct haul-road/access road during the reclamation process to provide access on a well drained surface. The access road to and on the reclamation site shall be graded, sloped, and maintained to drain to provide a road surface free of excessive mud and standing waters at all times while work is in progress. Roads which are below the project shall be guarded against rolling rock and free there from. Dust-control measures may be necessary if hauling creates airborne material. Snow removal to be included in this item.

4.0 BACKFILLING

Areas of this project subject to backfilling to achieve the post-mining land-use shall: be accomplished in a continuous concurrent manner on all surface disturbances within the original permit and associated disturbed areas as existing at bid showing; be filled by mechanical methods to eliminate high-wall and rock outcropping, to produce slopes of consistent lines and of the approximate original contour; be free of protruding rock and debris; be compacted in a progressive backfilling manner with mechanical equipment to ensure stability of backfill material. The maximum acceptable slope of any backfill face shall not exceed two (2) horizontal to one (1) vertical, unless otherwise stated. Backfilling shall cease during periods of adverse site conditions. (For example: excessive soil moisture)

5.0 REGRADING AND TOPSOILING

Concurrent regrading and topsoiling shall immediately follow backfilling and shall: distribute topsoil or the best available material to support vegetation as identified by the Department of Environmental Protection contact person, on the surface of the backfill in a smooth, uniform manner; include the elimination of all rills and gullies, the construction of sediment control sumps, the removal of sediment control sumps, the grading of spoil and/or fill materials. Surface shall be free of all rock exceeding six (6) inches in diameter and shall be tracked, track to track. Topsoil presently stockpiled on site shall be preserved and spread on the fill surface. In the absence of stockpiled topsoil, material which can be used as a topsoil substitute shall be identified, segregated, and stockpiled for spreading on the surface. If necessary to manufacture fines, mechanical treatment to pulverize the surface layer shall be required. Regrading and topsoiling shall be conducted prior to and in preparation for the revegetation item.

BUYER CB-23	PAGE 124	REQ. OR PO NO. DEP14253
SPENDING UNIT		
WEST VIRGINIA DEPARTMENT OF ENVIRONMENTAL PROTECTION/ OFFICE OF SPECIAL RECLAMATION		

WV-36a STATE OF WEST VIRGINIA
REV. 1/29/02 PURCHASING CONTINUATION SHEET
VENDOR:

6.0 REVEGETATION

The actual seeding date, within the work performance period, shall be at the discretion of the contractor, but a permanent vegetative cover must be established. Verification of materials used shall be required for payment. Seed bed preparation, unless otherwise approved, shall be conducted by industrial disks or tracking with heavy equipment with cleat marks across slope and parallel to the final contours. The surface shall be tracked, track to track. Seeding shall commence after seed bed preparation on a loose and uncompacted soil and with the approval of the Department of Environmental Protection. Contractor shall provide equipment as necessary to secure approval of the seedbed. Revegetation activities shall be carried out in a continuous, concurrent, timely and uniform manner. Failure to do this may result in nonpayment for portions of or the entire Revegetation item. Hydroseeding or broadcast seeding with the approved species is acceptable. The application rate may be increased but the ratio is to remain constant, but no additional monetary compensation will be awarded. Areas outside the limits of construction, disturbed by the contractor shall be revegetated by the contractor at no expense to DEP. Water utilized for hydroseeding shall be free of injurious or other toxic substances harmful to plant life. The source of water is subject to the approval of the DEP Specialist. It shall be the vendor's responsibility to repeat the procedures under REVEGETATION until such time as a permanent vegetation is established. The acreage quantities in this contract are for bidding purposes only.

A warranty period of one (1) year shall commence upon completion and payment of the revegetation item of the contract. No payment will be made for additional seeding necessary to comply with warranty requirements. The warranty period will be extended for one (1) year from the date of the last augmented seeding done by the contractor. The performance bond and labor and materials bond shall remain in effect throughout the warranty period. The Standards for Evaluating Vegetative Cover as presented in Title 38, CSR2, Section 9 of the West Virginia Surface Mining Reclamation Regulations will apply.

Equipment for the retracking/scarification to eliminate rills and gullies shall be mobilized and utilized to produce slopes consistent with the regrading and topsoiling bid item prior to warranty reseeding. No additional payment will be made by DEP for this warranty work.

6.1 AGRICULTURAL LIME

Unless otherwise specified, all lime used for revegetation shall be registered with the West Virginia Department of Agriculture, have an 85% minimum calcium carbonate equivalent, and meet the fineness classification no larger than that for ground. The following fineness classifications or combinations of are acceptable:

- Pulverized - 100% passing a U.S. Standard 20 mesh sieve
- 70% passing a U.S. Standard 100 mesh sieve
- Ground - 90% passing a U.S. Standard 20 mesh sieve
- 50% passing a U.S. Standard 60 mesh sieve
- 35% passing a U.S. Standard 100 mesh sieve

Use of blends and low-grade agricultural liming materials shall require prior approval. Lime shall be spread as soon as possible after delivery to site. Lime shall be applied evenly and uniformly distributed over the treated area. Lime shall be thoroughly mixed into the soil material. Lime subjected to adverse conditions before spreading will be deemed unacceptable. Failure to complete this phase shall result in nonpayment of this bid item.

Lime Applied at 3 ton/acre.

WV-36a STATE OF WEST VIRGINIA
REV. 1/29/02 PURCHASING CONTINUATION SHEET
VENDOR:

6.2 FERTILIZER

Fertilizer rates given for REVEGETATION are for 1,000 lbs. of 10-20-20 per acre. These rates are minimum and for bidding purposes.

Fertilizer shall be applied evenly and uniformly distributed over the treated area. Common complete fertilizers which meet the minimum standards are acceptable.

6.3 MULCH

Acceptable mulch for this project is wood fiber, hay, or straw.

Mulch: Wood Fiber @ 1.0 ton/Acre

Hay or straw mulch may be substituted at a rate of 2 tons/Acre

6.4 VEGETATIVE SPECIES

Seeding rate required is for pure live seed (pls) in pounds per acre. The use of annuals or cover crops will not be considered for vegetative success.

SOUTH MIX

<u>VEGETATIVE SPECIES</u> ¹	<u>RATE/ACRE</u> ¹
Orchard Grass	@ 30 lbs/acre
Birdsfoot Trefoil ²	@ 15 lbs/acre
Red Top	@ 10 lbs/acre
Switchgrass	@ 10 lbs/acre
Perennial Ryegrass	@ 10 lbs/acre
Alsike Clover ²	@ 5 lbs/acre
Foxtail Millet ⁴	@ 12 lbs/acre
Wheat or Rye ⁵	@ 50 lbs/acre
Black Locust ³	@ 1 lbs/acre

1. Seeding rate required is for pure live seed in pounds (lbs) per acre.
2. Herbaceous legumes must be treated with the appropriate bacterium before seeding.
3. This species to be utilized only for woodland post-mining land-use projects.
4. Spring Mix
5. Fall Mix

BUYER CB-23	PAGE 026	REQ. OR PO NO. DEP14253
SPENDING UNIT WEST VIRGINIA DEPARTMENT OF ENVIRONMENTAL PROTECTION/ OFFICE OF SPECIAL RECLAMATION		

WV-36a STATE OF WEST VIRGINIA
REV. 1/29/02 PURCHASING CONTINUATION SHEET
VENDOR:

7.0 CONSTRUCTION STAKEOUT

This work shall consist of furnishing, placing, and maintaining construction layout stakes necessary for the proper execution of the work required under the Contract, production of as-built drawings, and of performing topographic surveys and obtaining surveyed cross-sections for accurate determination of pay item quantities. Construction stakeout shall be under the supervision of a Registered Professional Engineer or Licensed Land Surveyor and all drawings signed and/or sealed by such. The Department shall provide control points for initial layout of the work. (Shall not exceed 5% of the total bid for this permit.)

A. MATERIALS

Wooden stakes and other marking materials as described herein.

B. CONSTRUCTION METHODS

B(1). The Contractor shall locate and reference the construction baseline within the limits of work and shall establish bench marks for the proper layout of the work. The Contractor shall make all calculations involved and shall furnish and place all layout stakes or markers.

B(2). The Contractor shall provide field forces and shall set all additional stakes needed, such as offset stakes, reference point stakes, slope stakes, pavement and grade stakes, stakes for roadway drainage, sub-drains, trench drains, fence, culverts or other structures; supplementary bench marks and any other horizontal or vertical controls necessary to secure a correct layout of the work.

B(3). The location of the slope stakes for grading work shall be determined by a calculation method. Elevation control hubs with guard stakes shall be set, at a convenient distance outside the construction limits, and at all stations where original cross-sections are taken. The centerline station, the distance from centerline, and the elevation of the hub shall be recorded on each guard stake.

B(4). The Contractor shall be responsible for having the layout staking work conform to the lines, grades, elevations, and dimensions called for on the Plans. The Contractor shall be responsible for reporting any discrepancies to the Supervisor for clarification. Minor adjustments to suit field conditions are anticipated and it shall be the responsibility of the Supervisor to make decisions regarding adjustments.

B(5). The Contractor shall survey cross-sections and/or profiles in areas of on-site excavation, off-site excavation, and ditch construction as necessary to permit accurate determination of pay item quantities. The locations and spacing of cross-sections and profiles shall be as approved or as directed by the Supervisor. Cross-sections and profiles shall be surveyed:

- a) prior to any excavation
- b) at the completion of excavation

B(6). The Contractor shall furnish a copy of his survey records for the Supervisor and for the D.E.P's permanent file. These records shall be furnished as they are completed during the progress of the work. Any inspection or checking of the Contractor's layout by the Supervisor and the acceptance of all or any part of it shall not relieve the Contractor of his responsibility to secure the proper dimensions, grades and elevations of the required work.

BUYER CB-23	PAGE 127	REQ. OR PO NO. DEP14253
SPENDING UNIT WEST VIRGINIA DEPARTMENT OF ENVIRONMENTAL PROTECTION/ OFFICE OF SPECIAL RECLAMATION		

WV-36a STATE OF WEST VIRGINIA
REV. 1/29/02 PURCHASING CONTINUATION SHEET
VENDOR:

8.0 & 9.0 CONSTRUCTED SEDIMENT CONTROL STRUCTURES

A sediment control structure shall be constructed as per attached detailed plans. Such structures shall be cleaned out when the sediment capacity reaches 60%, repaired, and maintained until demobilization. This item will be a one-time payment. Clean-out and maintenance shall be conducted by the contractor at no expense to DEP. (SEE ATTACHMENT)

10.0 EXISTING SEDIMENT CONTROL STRUCTURES

Existing structures shall be cleaned out, repaired, removed or otherwise constructed as directed at the time of the pre-bid showing. Such structures shall be cleaned out when the sediment capacity reaches 60%, repaired, and maintained until demobilization. This item will be a one-time payment. Clean-out and maintenance shall be conducted by the contractor at no expense to DEP. (SEE ATTACHMENT)

11.0 CONSTRUCTED ACCESS ROAD

This work shall consist of the construction of the access road. It shall also include: the road is to be constructed on a well drained base compacted to 95 % standard proctor, placement of a woven road stabilization fabric (engineering fabric), and a road surface of 6 inches deep of a well blended gradation of one and one-half (1½) inch Crusher Run limestone compacted to a 95 % standard proctor. The road surface shall be 12' (twelve) feet wide and have culverts and/or ditchlines installed as directed. Verification of compaction is required. See plans and details.

Culvert shall be of the type specified in the Plans and Specifications.

Culverts installed in access roads shall cross the road at a 30 degree angle downgrade with a minimum grade of three percent (3%) from inlet to outlet, except in streams or diversion ditches where the pipe shall be installed straight and coincide with the normal direction of flow.

Culvert inlet end shall be protected by a headwall of stable non-erodible material and the slope at the outlet shall be protected with an apron of rock riprap, energy dissipater or other designated material. The culvert shall be installed in a trench excavated in solid undisturbed ground or formed by compacted earth.

The culvert shall be imbedded in a formed trench to a depth no less than 1/10 the outside diameter of the pipe. Selected backfill material shall be placed around the culvert in four (4) inch layers and thoroughly compacted by means of hand tamping or manually directed power tampers or plate vibrators.

Culvert shall be covered with a minimum of twelve (12) inches or one-half the culvert diameter whichever is greater.

8.0, 11.0, 16.0 & 18.5 ENGINEERING FABRIC (FILTER FABRIC & FABRIC FOR SEPARATION) (NOTE: Cost to be included in the Constructed Sediment Control Structures, Constructed Access Road, and Water Intake Lines to Drive Unit Bid Item)

General: Engineering fabric shall be of the nonwoven or woven type and consists of a pervious sheet of polymeric fibers oriented into a stable network such that the fibers retain their relative positions with respect to each other. The fabric shall be mildew and rot resistant, and shall be free of any treatment or coating which might detrimentally alter its physical properties. The fabric, including the edges or the ends of the rolls, shall be protected during shipment and storage from ultra violet rays, temperature greater than 140° F and contaminants such as mud, dust, etc.

WV-36a STATE OF WEST VIRGINIA
REV. 1/29/02 PURCHASING CONTINUATION SHEET
VENDOR:

Engineering Fabric for Subsurface Drainage and Separation:

The engineering fabric for subsurface drainage shall be the nonwoven type and the engineering fabric for separation may be the nonwoven or woven type meeting the following requirements:

<u>PROPERTY</u>	<u>MINIMUM REQUIRED VALUE</u>	<u>TEST METHOD</u>
Permeability	1 x 10 ² cm/sec	AH, 20 cm. to 10 cm.
Equivalent Opening Size ²	#50 U.S. Std. Sieve	COE CW-02215
Grab Tensile Strength ³	100 lbs.	ASTM D-1682
Grad Tensile Elongation ³	30%	ASTM D-1682
Puncture Strength ⁴	35 lbs.	ASTM D-3787
Burst Strength	130 psi	ASTM D-3786
Trapezoid Tear	35 lbs.	ASTM D-1117

1. All numerical values represent minimum average roll values (i.e., any roll in a lot shall meet or exceed the minimum value in the table)
2. No greater opening than a #50 U.S. Sieve.
3. Minimum in weakest principal direction.
4. Tension testing machine with ring clamp, steel ball replaced with 5/16 inch diameter solid steel cylinder with either a flat or hemispherical tip centered within the ring clamp.

12.0 CONSTRUCTED FENCE

The fence is to provide limited access and security to the water treatment facilities. NOTE: See contract technical specifications and fencing details.

13.0 HAYBALE DIKE

Disturbed areas which have storm water runoff which does not pass through a sediment control structure shall utilize the following method to manage storm water runoff: Max. Bid of \$5.00/L.F. Hay Bale Dike -

1. All bales shall be placed on the contour.
2. Bales shall be placed in a row with ends tightly abutting the adjacent bales and embedded as shown on the Haybale Dike Detail.
3. Bales shall be securely anchored in place by stakes driven through the bales. The first stake in each bale shall be driven toward previously laid bale to force the bales together. Construction of sumps (paid under bid Item 5) may become necessary to supplement the hay bale dikes.

14.0 RIP-RAP DITCH

Provide all materials, excavate and construct Ditch as indicated on the attached typical plans, cross-section, specifications, and/or discussions at the Pre-Bid Showing. Ditches shall be free draining upon completion of construction. Length of ditch may be adjusted to meet on site conditions. No separate payment for construction stake-out will be made.

BUYER CB-23	PAGE 029	REQ. OR PO NO. DEP14253
SPENDING UNIT		
WEST VIRGINIA DEPARTMENT OF ENVIRONMENTAL PROTECTION/ OFFICE OF SPECIAL RECLAMATION		

WV-36a STATE OF WEST VIRGINIA
REV. 1/29/02 PURCHASING CONTINUATION SHEET
VENDOR:

Riprap (Designed)

The riprap shall be composed of a well-graded mixture down to the 1 inch size particle, such that fifty percent (50%) of the mixture by weight shall be larger than the d(50) size. A well-graded mixture is defined as a mixture composed primarily of the larger stone sizes but with a sufficient mixture of other sizes to fill the progressively smaller voids between the stones. The diameter of the largest stone size in such a mixture shall be considered to be 1.5 times the d(50) size. The riprap size as shown on the plans and specifications or for other construction purposes shall be the size of the largest stone in the mixture, i.e., 1.5 X d(50). The minimum thickness of the riprap layer shall be 1.5 x d(50). The minimum thickness of the riprap layer shall be 1.5 times the maximum stone diameter. The riprap shall extend up the banks to a height equal to maximum depth of flow or to a point where vegetation can be established to adequately protect the channel.

Stone for riprap shall consist of shot rock or rough unhewn quarry stone of approximately rectangular shape. The stone shall be hard and angular and of such quality that it will not disintegrate on expose to water or weathering, and it shall be suitable in all other respects for the purpose intended. The specific gravity of the individual stones shall be least 2.5.

Open limestone channels shall use limestone riprap. Rip-Rap (Standard)

Unless otherwise noted shall be durable rock placed in a 1.5 foot thick blanket. Twenty five percent (25%) of the rock will be of 18 inches or larger, the remaining seventy-five percent (75%) shall be well graded material (minimum 3 inches to maximum 15 inches) of sufficient rock small enough to fill the voids between the larger rock. Shale shall not be used for riprap. If riprap suitability is questionable, durability shall be determined by the sodium sulphate test ASTM C 88/AASHTO T 104-77. Open limestone channels shall use limestone riprap.

15.0 GRouted RIPRAP DITCH

Unless otherwise noted shall be durable rock placed in a 1.5 foot thick blanket. Twenty-five percent (25%) of the rock will be 18 inches or larger. Ten percent (10%) of the rock shall be no smaller than six (6) inches. The remaining sixty-five percent (65%) of the rock shall be well graded between six (6) and eighteen (18) inches. In-place rammed or hammered rock shall be acceptable.

The grout filler shall be composed of a mixture of one part portland cement and three parts sand, mixed with water to produce a workable consistency. The stone shall be thoroughly wet immediately before grout is applied. As soon as the grout is deposited on the surface, it shall be thoroughly worked into the joints. The stones shall then be brushed, so that their top surfaces are exposed.

16.0 CUTOFF TRENCH CONSTRUCTION

The Cut Off Trenches shall be excavated thru the fill areas and down into the original ground to a depth of four (4) feet. The trenches are to have a minimum bottom width of eight (8) feet and have two (2) layers of woven type filter fabric placed in the bottom and side of the trench facing the backfilled sediment channel. After excavating the trenches shall be backfilled with the most impervious clay type material on site and compacted. The Trenches shall have a minimum side slope of one (1) horizontal to a one (1) vertical. The top of the trench shall have a two (2) to one (1) slope down to the existing sediment channel floor or solid rock. See Cutoff Trench Detail Drawing.

17.0 UTILITIES

Utilities shall be relocated at the direction of the utility company and reimbursed actual cost to contractor. This is a "No Bid" item due to the method of reimbursement. It is the contractor's responsibility to determine the exact location of each utility in the project area where these utilities would be interrupted or damaged by performing work.

BUYER CB-23	PAGE 130	REQ. OR PO NO. DEP14253
SPENDING UNIT WEST VIRGINIA DEPARTMENT OF ENVIRONMENTAL PROTECTION/ OFFICE OF SPECIAL RECLAMATION		

WV-36a STATE OF WEST VIRGINIA
REV. 1/29/02 PURCHASING CONTINUATION SHEET
VENDOR:

18.0 AQUA FIX WATER TREATMENT FACILITY

18.1 FOUNDATION AND STRUCTURAL ELEMENTS

The foundation shall be Type II Sulfate Resistant Concrete and shall conform to the dimensions and shape shown in the drawings and specifications. Include all reinforcing bars with supports and anchor bolts as necessary. Provide all forms, personnel and equipment required for the placement, finishing, and curing of the concrete. Adverse weather conditions shall be avoided during completion of this item. The relation of the elevation to the water source is shown in Figure 1. WVDOH Specifications for concrete shall apply to this item. Excavation for the foundation is incidental to this item with no separate payment being made. The channel in the foundation is to receive water from the concrete sump by means of a 12 inch HDPE DR17 pipe. After treatment with the reagent the water will exit the channel into the 12 inch HDPE DR 11 Aqua-Fix discharge line. This Aqua-Fix discharge line will direct the water to the settling pond(s). The 12 inch HDPE DR 17 lines coming in and going out of the concrete pad shall be grouted in to assure good water flow.

Structural elements shall be warranted by the manufacturer to with stand normal static and dynamic loads as commonly accepted by industry.

18.2 SUB-FOUNDATION PREPARATION

The sub-foundation shall be undercut to remove all fill (unconsolidated material) down to a competent foundation as determined by the on site DEP representative. The sub-foundation shall be constructed in substantial conformity to the plans and/or specifications. The DEP on site representative shall be present during this work.

The sub-foundation material shall be suitable material free of particles larger than three inches in diameter and consist of granular material conforming to WVDOH specification 716.1.1.2. A bearing capacity of approximately 6 tons per square ft should be obtained.

Compaction shall be done with a suitable compactor to obtain approximately 98% Standard Proctor Density. Layers shall be six (6) inches or less in thickness before compaction is initiated. Moisture content of the fill material shall be controlled to obtain maximum compaction.

18.3 CRANE

This shall include furnishing a crane of sufficient capacity to unload and erect the silo structure on its foundation and to install the reagent dispensing unit. The silo is estimated to weigh 15 to 20 tons and have an in place height of 35 ft.

Payment for this work shall be made based on the lump sum contract and paid upon final acceptance by DEP.

18.4 DOSING UNIT AND SILO

This item includes all work necessary to purchase, install and initiate operation of an Aqua-Fix water powered dosing unit (Unit type MSS-SM-OA-10). Unit shall be equipped with a 250 to 1 ratio gear box. Unit shall be provided with three (3) sprocket and drive chains to change the speed to the gear box. The sprockets shall be 20 tooth, 40 tooth, and 70 tooth.

Aqua-Fix, Water Treatment Systems.
Michael Jenkins
301 Maple Lane
Kingwood, WV 26537 Telephone: (304) 329-1056.

BUYER CB-23	PAGE 31	REQ. OR PO NO. DEP14253
SPENDING UNIT		
WEST VIRGINIA DEPARTMENT OF ENVIRONMENTAL PROTECTION/ OFFICE OF SPECIAL RECLAMATION		

WV-36a STATE OF WEST VIRGINIA
REV. 1/29/02 PURCHASING CONTINUATION SHEET
VENDOR:

Changes to these specifications shall be made only with the written approval of the Program Manager. A 10 ton steel silo to store the reagent is required. The silo shall be equipped with an interior ladder, an exterior ladder with a protective cage and a lockable steel safety door, a steel safety fence around the top of the silo, a filler pipe to extend to the unloading port, a steel cone at the base of the silo to direct the discharge of the reagent through a steel flange which is sized and located to accommodate the reagent dispensing unit. Silo shall include a vent pipe to prevent pressure buildup during filling. An emergency pop off valve shall be included in case the vent pipe malfunctions. Pneumatic filling of the silo is to be utilized.

An insulated steel security enclosure attached to the silo structure support system to protect the dosing unit from vandalism and the weather is required. The wall thickness of the silo enclosure shall be equivalent to the steel used in the construction of the silo. The enclosure shall be equipped with a hinged, lockable steel door of sufficient size to facilitate removal of the dosing unit for repair and/or future replacement. The enclosed structure shall be fitted with a propane heating unit with a capacity to prevent freezing of the dosing unit during the winter.

Painting of the silo and steel security enclosure shall be done in accordance with WVDOH Specification 711. Preferred colors are green and/or tan.

The dosing unit, silo, and filler pipe shall be designed to facilitate the use of Calcium Oxide (CaO) during the service life of the unit. This portion of the work shall include the initial filling of only five (5) tons and the start up of the unit, at the direction of the Program Manager, to confirm that all units function as intended. Any repairs and/or adjustments required to the unloading system and dosing unit to allow them to function as designed shall be performed at no cost to the DEP. The system shall be operated successfully for a one-week period before acceptance by the DEP.

All settling ponds and rip-rap ditches leading to them must be completed before testing is initiated. The Calcium Oxide shall be 5 tons in amount and delivered as scheduled by the on site DEP representative.

Payment for all of the work specified above, shall be made based on the lump sum contract price.

18.5 WATER INTAKE LINE TO DRIVE UNIT

HDPE DR 17 water drive line shall be provided from seep collection man hole to the control valve on the dispensing unit. (See Scope of Work for the details of the requirement of the four (4) inch HDPE DR17 water intake drive line.) The intake end of the line shall be fitted with an acid resistant screen to prevent undesirable materials from entering the line. No separate payment shall be made for this screen.

BUYER CB-23	PAGE 032	REQ. OR PO NO. DEP14253
SPENDING UNIT		
WEST VIRGINIA DEPARTMENT OF ENVIRONMENTAL PROTECTION/ OFFICE OF SPECIAL RECLAMATION		

WV-36a STATE OF WEST VIRGINIA
REV. 1/29/02 PURCHASING CONTINUATION SHEET
VENDOR:

BID PREPARATION INFORMATION

HISTORICAL INFORMATION

Prospective bidders may review files at the West Virginia Department of Environmental Protection, Nitro, WV office, or the Regional West Virginia Department of Environmental Protection Office at Oak Hill. These files may contain additional information not included in the contract documents including, but not limited to, permit applications, permits, inspection reports, environmental documents, permit violation history, geological and geotechnical information, probable hydrologic consequences, maps, modifications, NPDES information and other related data. Copies may be obtained upon request and payment of copying fees.

EXAMINATION OF BID PACKAGE AND SITE OF WORK

The bidder is required to examine, carefully, the bid package (plans, specifications, supplemental specifications, contract forms, etc.) and the site of the work contemplated. The submission of a bid shall be considered prima facie evidence that the bidder has made such examination and has judged for and satisfied themselves as to the character, quantity, and quality of work to be performed and the materials required to be furnished under the contract.

PREBID CONFERENCE

Only the prospective bidders on the sign-in sheet in attendance for the entire Pre-Bid Conference will be eligible to submit bids for consideration of this project. Considerable foot travel over rough terrain and/or inclement weather may be required.

VIDEO

The information given at the pre-bid showing by the project contact person or the assigned person shall be documented on video tape and shall be an integral part of this contract's requirements, but will not supersede the written contract. All information on video tape that is new or provides clarification to the specifications, will be issued in writing by a formal addendum and will become part of the written contract.

INTENT OF CONTRACT

The intent of the contract is for the reclamation/restoration of forfeited mine lands as required by West Virginia Department of Environmental Protection. The contractor is to provide for the construction and completion in every detail of the work described. The Contractor shall furnish all labor, materials, equipment, tools, transportation, and supplies required to complete the work in accordance with the Plans, Specifications, and terms of the Contract.

Should any misunderstanding arise as to the intent or meaning of the Contract, or any discrepancy appear, the decision of the Director of Division of Land Restoration shall be final.

BUYER CB-23	PAGE 033	REQ. OR PO NO. DEP14253
SPENDING UNIT WEST VIRGINIA DEPARTMENT OF ENVIRONMENTAL PROTECTION/ OFFICE OF SPECIAL RECLAMATION		

WV-36a STATE OF WEST VIRGINIA
REV. 1/29/02 PURCHASING CONTINUATION SHEET
VENDOR:

GENERAL PERFORMANCE STANDARDS

INTRODUCTION

The performance standards and non-compliance penalties which govern special reclamation-bond forfeiture projects are in Chapter 22A, Article 3, of the Code of West Virginia and subsequent rules and regulations. The following performance standards are of a general nature and do not represent all the performance standards applicable to a special reclamation-bond forfeiture project. However, some or all of these standards will pertain to each project.

BACKFILLING

1. Unless otherwise noted, the highwall shall be eliminated and the disturbed area graded to the approximate original contour.
2. The material used to backfill and eliminate the highwall shall be sufficiently compacted so as to insure stability of the backfill throughout the warranty period.
3. The land above the highwall shall not be disturbed unless otherwise directed.
4. The best available material to support vegetation, sufficient to establish a permanent vegetative cover and to achieve the approved post mining land use, shall be used.

BLASTING

The performance standards of the blasting regulations must be adhered to.

LIFE OF CONTRACT

The purchase order contract becomes effective on the starting date as specified in the notice to proceed as issued by the Department of Environmental Protection. This contract extends for a period of one (1) year and may be renewed until such "reasonable time" thereafter as is necessary to complete TREES, TOP DRESSING, the payment therefore and the warranty period. This contract is the right of entry for the vendor and must be effective through the warranty period to conduct warranty work, as necessary. A responsible Contractor's Agent shall be on the site at all working times who demonstrates a knowledge of mined land reclamation, contract requirements and responds to DEP (owner) inspections.

WORK PERFORMANCE PERIOD

The work performance period is a defined portion of the contract in which all items (except trees and top dressing) shall be completed. The work performance period is to be performed within 365 calendar days. Extensions may be granted based upon contractor's performance, weather conditions and site specific site conditions.

NOTICE TO PROCEED

A notice to proceed shall be issued to the Contractor by the project contact person for the Department of Environmental Protection. Actual construction may only begin after a Notice to Proceed is given and as specified. Such notice shall specify the starting date of the Purchase Order, the work performance period, and the completion date of the work performance period.

PRE-CONSTRUCTION CONFERENCE

The Contractor in possession of the awarded purchase order shall schedule and attend a Pre-Construction Conference on the site within ten (10) days after receiving the Notice To Proceed. The contractor will begin work within ten (10) days of the preconstruction conference. The Contractor's foreman or the on-the-ground supervisor must be in attendance.

BUYER CB-23	PAGE 034	REQ. OR PO NO. DEP14253
SPENDING UNIT		
WEST VIRGINIA DEPARTMENT OF ENVIRONMENTAL PROTECTION/ OFFICE OF SPECIAL RECLAMATION		

WV-36a STATE OF WEST VIRGINIA
REV. 1/29/02 PURCHASING CONTINUATION SHEET
VENDOR:

GENERAL SUPERVISION - This contract is under the general supervision of the West Virginia Department of Environmental Protection's contact person for the purpose of contract compliance inspection only. Contractor shall supervise work being conducted at all times. All services rendered by the Engineer/Contact Person consist of professional opinions and recommendations made in accordance with generally accepted engineering practice. Under no circumstances is it the intent of the Engineer/Contact Person to directly control the physical activities of the Contractor or the Contractor's workmen's accomplishment of work on this project.

CONTRACTOR RESPONSIBILITY

The contractor is responsible for compliance with all aspects of this written contract. No changes will be honored without prior approval from the Program Supervisor.

LAWS TO BE OBSERVED

The Contractor shall keep fully informed of all Federal and State laws, all local laws, ordinances, and regulations and all orders and decrees of bodies or tribunals having any jurisdiction or authority, which in any manner affect those engaged or employed on the work, or which in any way affect the conduct of the work. The Contractor shall at all times observe and comply with all such laws, ordinances, regulations, orders and decrees; and shall protect and indemnify the State and its representatives against any claim or liability arising from or based on the violation of any such laws, ordinances, regulations, orders, or decrees, whether by themselves, their subcontractors or their employees.

PERMITS, LICENSES AND TAXES

The Contractor shall procure all permits and licenses, pay all charges, fees, and taxes, and give all notices necessary and incidental to the due and lawful prosecution of the work.

CONCURRENT RECLAMATION

Reclamation of this project shall commence at a definite point as defined and shall progress from that point with total reclamation to include backfilling, grading/regrading, and revegetation. Changes may be granted based upon weather or differing site conditions with prior approval.

WATER QUALITY CONTROL

Shall commence with initial start-up of the project and remain in effect for the extent of the backfilling, regrading and revegetation activity. DEP obtains a storm water permit for each project from the Water Resources Department . (See General Water Pollution Control Permit WVO115924 attached) The Contractor is responsible for performing the best management practices. Adequate facilities shall be installed, operated and maintained using the best management practices of the U.S. Environmental Protection Agency's Non-Point Source (NPS) Program for sediment control during the active reclamation. The contractor shall take any and all steps necessary to prevent erosion or silting problems from occurring and to minimize pollution or sedimentation of the stream. If any such problems develop, the contractor shall be responsible to take immediate corrective action. No separate payment for this work will be honored. All impounded waters which require removal during reclamation, shall be pumped with appropriate measures taken to prevent erosion from the discharge. The contractor shall be responsible for treatment of said waters to meet pH standards. The water shall be discharged only when the quality meets a pH equivalent to the pH of the receiving stream but not less than 6.0.

BUYER CB-23	PAGE 035	REQ. OR PO NO. DEP14253
SPENDING UNIT		
WEST VIRGINIA DEPARTMENT OF ENVIRONMENTAL PROTECTION/ OFFICE OF SPECIAL RECLAMATION		

WV-36a STATE OF WEST VIRGINIA
REV. 1/29/02 PURCHASING CONTINUATION SHEET
VENDOR:

DIFFERING SITE CONDITIONS

During the progress of the work, if subsurface or latent physical conditions are encountered at the site differing materially from those indicated in the contract or if unknown physical conditions of an unusual nature, differing materially from those ordinarily encountered and generally recognized as inherent in the work provided by the contract, are encountered at the site, the party discovering such conditions shall promptly notify the other party in writing of the specific differing conditions before they are disturbed and before the affected work is performed.

Upon written notification, the Engineer/Contact Person will investigate the conditions, and if determined that the conditions materially differ and cause an increase or decrease in the cost or time required for the performance of any work under the contract, an adjustment, excluding loss of anticipated profits, will be made and the contract modified in writing accordingly. The Engineer/Contact Person will notify the Contractor of DEP's determination whether or not an adjustment of the contract is warranted.

No contract adjustment which results in a benefit to the Contractor will be allowed unless the Contractor has provided the required written notice.

No contract adjustment will be allowed under this clause for any effects caused on unchanged work.

HANDLING AND STORAGE OF MATERIALS

Materials which are stored on site, before utilization, shall be stored so as to assure the preservation of their quality and fitness for the work. Stored materials, even though approved before storage, may be inspected again prior to their use in the work. Damaged or deteriorated materials shall be removed and replaced by materials meeting the original specifications.

Aggregate stockpiles shall be made on ground that is denuded of vegetation, hard, and well drained. Removal of aggregate from the stockpile shall be done in a manner which will not result in the inclusion of foreign material into the aggregate. The use of the aggregate will determine if exceptions are permitted.

All materials shall be handled in such a manner as to preserve their quality and fitness for the work.

MAINTENANCE DURING CONSTRUCTION

The contractor shall maintain the work during construction and until the project is accepted. All cost of maintenance work during construction and before the project is accepted shall be included in the unit or lump sum prices on the various pay items.

FINAL INSPECTION

A final inspection meeting by the Department of Environmental Protection's Specialist and the contractor is required for the construction phase and prior to demobilization.

ACREAGE QUANTITIES

The acreage quantities in this contract are for bidding purpose and are set (definite) number for the project area as specified at the pre-bid showing. Only surveyed acreage's through figures the Contractor and/or the State develops will be honored to alter these acreage numbers.

BUYER CB-23	PAGE 036	REQ. OR PO NO. DEP14253
SPENDING UNIT		
WEST VIRGINIA DEPARTMENT OF ENVIRONMENTAL PROTECTION/ OFFICE OF SPECIAL RECLAMATION		

WV-36a STATE OF WEST VIRGINIA
REV. 1/29/02 PURCHASING CONTINUATION SHEET
VENDOR:

PAYMENT

Invoices must be submitted on prescribed Department of Environmental Protection, Special Reclamation Program forms and include verification. Certified contractor payrolls for operators directly involved in this project and a current workers compensation certificate must accompany each invoice for payment. Verification of wage rates may include employee interviews. Invoices shall be signed in blue ink so that it is easy to verify that document is an original.

MOBILIZATION/DEMObILIZATION shall be invoiced at fifty percent (50%) with the first invoice and the last 50% invoiced after demobilization and acceptance of the road abandonment or final invoice. Demobilization must have written approval.

SPILL CONTAINMENT AREA shall not exceed \$1,000.00 and will be payable in two payments. The first fifty percent (50%) payable with the first invoice and the remainder payable when all fuel tanks, containers and etc., are removed from the site.

Lump sum items shall be percentage payments based on work completed at time of invoice and paid upon acceptance by the Department of Environmental Protection.

Unit items shall be invoiced by specified units completed and accepted by the DEP.

ROAD ABANDONMENT shall be included in the final construction invoice.

TOP DRESSING must be invoiced based on the percentage completed.

FAILURE TO COMPLETE ON TIME AND LIQUIDATED DAMAGES

Time is an essential element of the Contract and it is important that the work be completed within the time specified. The cost to the Department of the administration of the Contract, including engineering, inspection and supervision, will increase as the time required to complete the work is increased.

The work performance period as specified in the contract's Notice to Proceed shall be complied with or result in liquidated damages. Such damages shall be assessed at an amount of two hundred and fifty dollars (\$250.00) per day for each and every day beyond the work performance period as specified in the Notice to Proceed. The total amount of daily charges, will be deducted from any moneys due the Contractor, not as a penalty but as liquidated damages.

REVEGETATION AND WARRANTY

The seeding date shall be at the discretion of the contractor once an approved seedbed has been prepared. In all cases a permanent vegetative cover capable of supporting the post-mining land use must be established. A warranty period of one (1) year shall commence upon completion and payment of the revegetation item of the contract. No payment will be made for additional seeding necessary to comply with warranty requirements. The warranty period will be extended for one (1) year from the date of the last augmented seeding done by the contractor. The performance bond and labor and materials bond shall remain in effect throughout the warranty period. The Standards for Evaluating Vegetative Cover as presented in Title 38, CSR2, Section 9 of the West Virginia Surface Mining Reclamation Regulations will apply.

Equipment for the retracking/scarification to eliminate rills and gullies shall be mobilized and utilized to produce slopes consistent with the regrading and topsoiling bid item prior to warranty reseeding. No additional payment will be made by DEP for this warranty work.

Water utilized for hydroseeding shall be free of injurious or other toxic substances harmful to plant life. The source of water is subject to the approval of the DEP contact person.

BUYER CB-23	PAGE 037	REQ. OR PO NO. DEP14253
SPENDING UNIT		
WEST VIRGINIA DEPARTMENT OF ENVIRONMENTAL PROTECTION/ OFFICE OF SPECIAL RECLAMATION		

WV-36a STATE OF WEST VIRGINIA
REV. 1/29/02 PURCHASING CONTINUATION SHEET
VENDOR:

CONTRACT NON-COMPLIANCE

If in the opinion of the Department of Environmental Protection the contract is not in compliance with any line item specification, that portion of the project shall cease until a compliance schedule and understanding is demonstrated in writing and accepted by the Director of Land Restoration.

CONTRACT DELETIONS

Any line item, or any portion thereof, may be deleted when determined by the project contact person that such line item, or portion thereof, is deemed unnecessary for the successful reclamation of this project. No claim for loss of anticipated profits will be considered.

CANCELLATION

The performance of work under contract may be terminated by the State in whole, or from time to time in part whenever the State shall determine that such termination is in the best interest of the State. Any such termination shall be effected by delivery to the Contractor of a Notice of Termination specifying the extent to which performance of work under the Contract is terminated and the date upon which such termination becomes effective.

When contracts, or any portion thereof, are terminated before completion of all items of work in the Contract, payment will be made for the actual number of units or items of work completed and accepted at the contract unit price. No claim for loss of anticipated profits will be considered. Reimbursement for organization of the work, when not otherwise included in the Contract, and moving equipment to and from the job will be considered where the volume of work completed and accepted is too small to compensate the Contractor for these expenses under the contract unit prices, the intent being that an equitable settlement will be made with the Contractor.

Termination of the Contract or a portion thereof shall not relieve the Contractor of his responsibilities for the completed work, nor shall it relieve his surety of its obligation for and concerning any just claims arising out of the work performed.

This contract may be cancelled in whole or in part in writing by the Director of Purchasing, without prejudice to any other right or remedy it may have, provided that the contractor is given not less than thirty (30) calendar days written notice, (delivered by certified mail, return receipt requested) of intent to terminate. This contract objective is to comply with the reclamation laws of this state and must be expedient to meet the time requirements for reclamation of revoked surface mine permits.

BUYER CB-23	PAGE 038	REQ. OR PO NO. DEP14253
SPENDING UNIT WEST VIRGINIA DEPARTMENT OF ENVIRONMENTAL PROTECTION/OFFICE OF SPECIAL RECLAMATION		

WV-36a STATE OF WEST VIRGINIA
 REV. 1/29/02 PURCHASING CONTINUATION SHEET
 VENDOR:



**STATE OF WEST VIRGINIA
 DEPARTMENT OF ENVIRONMENTAL PROTECTION
 DIVISION OF WATER AND WASTE MANAGEMENT
 601 57th STREET SE
 CHARLESTON, WV 25304-2345
 GENERAL**

**NATIONAL POLLUTANT DISCHARGE ELIMINATION SYSTEM
 WATER POLLUTION CONTROL PERMIT**

Permit No. WV0115924

Issue Date: November 5, 2007
 Effective Date: December 5, 2007
 Expiration Date: December 4, 2012

Subject: Stormwater Associated
 With Construction Activities

To Whom It May Concern:

This is to certify that any establishment with discharges composed entirely of stormwater associated with construction activities disturbing one acre or greater of land area (construction activities are land disturbing operations such as grubbing, grading, filling and excavation operations during site development for residential, commercial or industrial purposes) and agreeing to be regulated under the terms of this general permit, except for;

1. Operations that result in the disturbance of less than one acre of total land area, which are not part of a larger common plan of development or sale.
2. Stormwater discharges associated with land disturbing activities that may reasonably be expected to be causing or contributing to a violation of a water quality standard as determined by the Director.
3. Land disturbing activities already governed by other Department of Environmental Protection NPDES permits. This includes Division of Mining and Reclamation permits for coal mining and non-metallic quarries.
4. Landfills, except in the preparation of a new landfill and/or clay borrow areas.
5. Other activities exempt from NPDES permitting requirements as set forth in 40CFR 122.3(e) and 47CSR 10-3.2.b.4 (NPDES Program).
6. Land disturbing activities related to oil and gas activities as required by the Energy Policy Act of 2005. These activities include but are not limited to construction of drilling sites, waste management pits, and access roads, as well as construction of the transportation and treatment infrastructure such as pipelines, natural gas treatment plants, natural gas pipeline compressor stations, and crude oil pumping stations. Construction activities that result in a discharge of a reportable quantity release or that contribute pollutants (other than non-contaminated sediments) to a violation of a water quality standard are still subject to permit coverage.

is hereby granted coverage under this General WV/NPDES Water Pollution Control Permit to allow stormwater discharges into the surface waters of the State. This General Permit is subject to the following terms and conditions:

BUYER CB-23	PAGE 039	REQ. OR PO NO. DEP14253
SPENDING UNIT WEST VIRGINIA DEPARTMENT OF ENVIRONMENTAL PROTECTION/OFFICE OF SPECIAL RECLAMATION		

WV-36a STATE OF WEST VIRGINIA
REV. 1/29/02 PURCHASING CONTINUATION SHEET
VENDOR:

The information submitted on and with the site registration application form will hereby be made terms and conditions of the General Permit with like effect as if all such information were set forth herein, and other pertinent conditions set forth in Sections A, B, C, D, E, F, G, H, I and J.

Construction of single family residences by the homeowner or homeowner's contractor requiring land disturbances less than three acres in size are provided coverage under the General WV/NPDES Water Pollution Control Permit and do not require application for registration. However, all other terms and conditions of the General WV/NPDES Water Pollution Control Permit still apply except for the Notice of Termination requirement.

Sites approved from January 1, 2006, thru November 4, 2007, are hereby granted coverage under General WV/NPDES Water Pollution Control Permit WV0115924. Sites approved prior to January 1, 2006, will have until June 30, 2008, to have final stabilization completed. Final stabilization means disturbed areas shall be covered by the appropriate permanent protection. Final stabilization includes; pavement, buildings, stable waterways (riprap, concrete, grass or pipe), a healthy, vigorous stand of perennial grass that uniformly covers at least 70 percent of the ground, stable outlet channels with velocity dissipation which directs site runoff to a natural watercourse, and any other approved structure or material. If these sites are not stabilized by June 30, 2008, an application to receive permit coverage will be required to be submitted to the Division of Water and Waste Management on or before, July 1, 2008.

SECTION A. TERMS OF PERMIT

Discharges from sites covered under the General Permit shall not cause or contribute to a violation of 47CSR2 (Requirements Governing Water Quality Standards) and 46CSR12, (Requirements Governing Groundwater Standards) of the West Virginia Legislative Rules pursuant to Chapter 22, Article 11 and Article 12. Discharges that are not in compliance with these standards are not authorized.

SECTION B. SCHEDULE OF COMPLIANCE

Compliance with this General Permit and the approved Stormwater Pollution Prevention Plan is required upon the beginning of the construction project.

SECTION C. MANAGEMENT CONDITIONS

C.1. Duty to Comply

C.1.a. The permittee must comply with all conditions of this permit. Permit noncompliance constitutes a violation of the federal Clean Water Act (CWA) and State Act (Chapter 22, Article 11 and Article 12) and is grounds for enforcement action; for permit modification, revocation and reissuance, suspension or revocation; or denial of a permit renewal application.

C.1.b. The permittee shall comply with all effluent standards or prohibitions established under Section 307(a) of the CWA for toxic pollutants within the time provided in the regulations that establish these standards or prohibitions, even if the permit has not yet been modified to incorporate the requirement.

C.2. Duty to Reapply

If the permittee seeks to continue an activity regulated by this permit after the expiration date of this permit, the permittee must apply for a new permit or general permit registration as detailed in permit reissuance.

C.3. Duty to Mitigate

The permittee shall take all reasonable steps to minimize or prevent any discharge in violation of this permit, which has a reasonable likelihood of adversely affecting human health or the environment.

BUYER CB-23	PAGE 040	REQ. OR PO NO. DEP14253
SPENDING UNIT WEST VIRGINIA DEPARTMENT OF ENVIRONMENTAL PROTECTION/OFFICE OF SPECIAL RECLAMATION		

WV-36a STATE OF WEST VIRGINIA
REV. 1/29/02 PURCHASING CONTINUATION SHEET
VENDOR:

C.4. Permit Actions

This permit may be modified, revoked and reissued, suspended, or revoked for cause. The filing of a request by the permittee for permit modification, revocation and reissuance, or revocation, or a notification of a planned change or anticipated noncompliance, does not stay any permit condition.

C.5. Property Rights

This permit does not convey any property rights of any sort, or any exclusive privilege.

C.6. Signatory Requirements

All applications, reports, or information submitted to the Director shall be signed and certified as required in 47CSR10-4.6. (NPDES Program). If an authorization becomes inaccurate because a different individual or position has responsibility for the overall operation of the project, a new authorization must be submitted to the Director prior to, or together with any reports, information, or applications to be signed by an authorized representative.

C.7. Transferability

This permit is not transferable to any person, except after notice to the Director. The Director may require modification or revocation and reissuance of the permit to change the name of the permittee and incorporate such other requirements as may be necessary.

C.8. Duty to Provide Information

The permittee shall furnish to the Director, within a reasonable specified time, any information which the Director may request to determine whether cause exists for modifying, revoking and reissuing, suspending, or revoking this permit, or to determine compliance with this permit. This information may include water quality information as specified by the Director. The permittee shall also furnish to the Director, upon request, copies of records required to be kept by this permit.

C.9. Other Information

Where the permittee becomes aware that it failed to submit any relevant facts in a permit application, or submitted incorrect information in a permit application or in any report to the Director, it shall immediately submit such facts or information.

C.10. Inspections and Entry

The permittee shall allow the Director or an authorized representative upon the presentation of credentials and such other documents as may be required by law

C.10.a. To enter upon the permittee's premises in which an effluent source or activity is located, or where records must be kept under the conditions of this permit;

C.10.b. To have access to and copy at reasonable times any records that must be kept under the conditions of this permit;

C.10.c. To inspect at reasonable times any facilities, equipment (including monitoring and control equipment), practices, or operations regulated or required under this permit;

C.10.d. To sample or monitor at reasonable times, for the purposes of assuring permit compliance or as otherwise authorized by the State Act, any substances or parameters at any location.

BUYER CB-23	PAGE 041	REQ. OR PO NO. DEP14253
SPENDING UNIT WEST VIRGINIA DEPARTMENT OF ENVIRONMENTAL PROTECTION/OFFICE OF SPECIAL RECLAMATION		

WV-36a STATE OF WEST VIRGINIA
REV. 1/29/02 PURCHASING CONTINUATION SHEET
VENDOR:

C.11. Permit Modification

This permit may be modified, suspended, or revoked in whole or in part during its term in accordance with the provisions of Chapter 22, Article 11 of the Code of West Virginia. Any permittee wishing to modify his coverage under this permit shall submit such request at least 45 days prior to the commencement of the proposed action for modification if no public notice period is required. A modification that will have a public notice period must be submitted at least 90 days prior to construction to allow for the public notice procedure.

C.12. Water Quality

The effluent or effluents covered by this permit are to be of such quality so as to not cause violations of applicable water quality standards.

C.13. Oil and Hazardous Substance Liability

Nothing in this permit shall be construed to preclude the institution of any legal action or relieve the permittee from any responsibilities, liabilities, or penalties to which the permittee is or may be subject under Section 311 of the CWA.

C.14. Liabilities

C.14.a. Any person who violates a permit condition implementing Sections 301, 302, 306, 307, 308, 318 or 405 of the CWA is subject to a civil penalty not to exceed \$25,000 per day of such violation. Any person who willfully or negligently violates permit conditions implementing Section 301, 302, 306, 307, or 308 of the CWA is subject to a fine of not less than \$2,500 nor more than \$25,000 per day of violation, or by imprisonment for not more than one year, or both.

C.14.b. Any person who knowingly makes any false statement, representation, or certification in any record or other document submitted or required to be maintained under this permit, including reports of compliance or noncompliance shall, upon conviction, be punished by a fine of not more that \$10,000 per violation, or by imprisonment for not more than six months per violation, or by both.

C.14.c. Nothing in C.14.a. and C.14.b. shall be construed to limit or prohibit any other authority the Director may have under the State Water Pollution Control Act, Chapter 22, Article 11 and State Groundwater Protection Act, Chapter 22, Article 12.

C.15. Outlet Markers

An outlet marker shall be posted during the term of General Permit coverage in accordance with Title 47, Series 11, Section 9 (Special Rules) of the West Virginia Legislative Rules.

SECTION D. OPERATION AND MAINTENANCE

D.1. Proper Operation and Maintenance

The permittee shall at all times properly operate and maintain all facilities and systems of treatment and control (and related appurtenances) which are installed or used by the permittee to achieve compliance with the conditions of the permit.

D.2. Need to Halt or Reduce Activity Not a Defense

It shall not be a defense for a permittee in an enforcement action that it would have been necessary to halt or reduce the permitted activity in order to maintain compliance with the conditions of this permit.

D.3. Bypass

BUYER CB-23	PAGE 042	REQ. OR PO NO. DEP14253
SPENDING UNIT WEST VIRGINIA DEPARTMENT OF ENVIRONMENTAL PROTECTION/OFFICE OF SPECIAL RECLAMATION		

WV-36a STATE OF WEST VIRGINIA
REV. 1/29/02 PURCHASING CONTINUATION SHEET
VENDOR:

D.3.a. Definitions

D.3.a.1. "Bypass" means the intentional diversion of waste streams from any portion of a treatment facility; and

D.3.a.2. "Severe property damage" means substantial physical damage to property, damage to the treatment facility which causes them to become inoperable, or substantial and permanent loss of natural resources that can reasonably be expected to occur in the absence of a bypass. Severe property damage does not mean economic loss caused by delays in production.

D.3.b. Bypass not exceeding limitations. The permittee may allow any bypass to occur which does not cause effluent limitations to be exceeded, but only if it also is for essential maintenance to assure efficient operation. These bypasses are not subject to the provisions of D.3.c. and D.3.d. of this permit.

D.3.c. Notification of bypass

D.3.c.1. If the permittee knows in advance of the need for a bypass, it shall submit prior notice, if possible at least 10 days before the date of the bypass.

D.3.c.2. If the permittee does not know in advance of the need for bypass, notice shall be submitted as requires in F.2.a. of this permit.

D.3.d. Prohibition of bypass

D.3.d.1. Bypass is permitted only under the following conditions, and the Director may take enforcement action against a permittee for bypass, unless;

D.3.d.1.A. Bypass was unavoidable to prevent loss of life, personal injury, or severe property damage;

D.3.d.1.B. There were no feasible alternatives to the bypass, such as the use of auxiliary treatment facilities, retention of untreated sediment, or maintenance during normal periods of equipment downtime. This condition is not satisfied if adequate backup equipment should have been installed in the exercise of reasonable engineering judgment to prevent a bypass that occurred during normal periods of equipment downtime or preventive maintenance. This condition is not satisfied if the sediment and erosion control structures were not installed in the proper sequence; and

D.3.d.1.C. The permittee submitted notices as required under D.3.c. of this permit.

D.3.d.2. The Director may approve an anticipated bypass, after considering its adverse effects, if the Director determines that it will meet the three conditions listed in D.3.d.1. of this permit.

D.4. Upset

D.4.a. "Upset" means an exceptional incident in which there is unintentional and temporary noncompliance with the terms and conditions of the permit and the Stormwater Pollution Prevention Plan because of factors beyond the reasonable control of the permittee. An upset does not include noncompliance to the extent caused by operational error, improperly designed treatment facilities, inadequate treatment facilities, lack of preventive maintenance, or careless or improper operation.

D.4.b. Effect of an upset. An upset constitutes an affirmative defense to an action brought for noncompliance with such technology-based permit effluent limitations if the requirements of D.4.c. are met. No determination made during administrative review of claims that noncompliance was caused by upset, and before an action for noncompliance, is final administrative action subject to judicial review.

D.4.c. Conditions necessary for a demonstration of upset. A permittee who wishes to establish the affirmative defense of upset shall demonstrate, through properly signed, contemporaneous operating logs, or other relevant evidence that:

D.4.c.1. An upset occurred and that the permittee can identify the cause(s) of the upset.

BUYER CB-23	PAGE 043	REQ. OR PO NO. DEP14253
SPENDING UNIT WEST VIRGINIA DEPARTMENT OF ENVIRONMENTAL PROTECTION/OFFICE OF SPECIAL RECLAMATION		

WV-36a STATE OF WEST VIRGINIA
REV. 1/29/02 PURCHASING CONTINUATION SHEET
VENDOR:

D.4.c.2. The permitted project was at the time being properly operated.

D.4.c.3. The permittee submitted notice of the upset as required in F.2.a. of this permit.

D.4.c.4. The permittee complied with any remedial measures required under C.3. of this permit.

D.4.d. Burden of proof. In any enforcement proceedings the permittee seeking to establish the occurrence of an upset has the burden of proof.

D.5. Removed Substances

Where removed substances are not otherwise covered by the terms and conditions of this permit or other existing permits by the Director, any solids, sludge, filter backwash or other pollutants (removed in the course of treatment or control of wastewater) and which are intended for disposal within the State, shall be disposed of only in a manner and at a site subject to the approval by the Director. If such substances are intended for disposal outside the State or for reuse, i.e., as a material used for making another product, which in turn has another use, the permittee shall notify the Director in writing of the proposed disposal or use of such substances, the identity of the prospective disposer or users, and the intended place of disposal or use, as appropriate.

SECTION E. MONITORING AND REPORTING

Monitoring of discharges is not required for construction activities unless directed by the Director.

E.1. Definitions

“As-built drawing” means a certified drawing of conditions as they were actually constructed.

“Best management practices” (BMPs) means schedules of activities, prohibitions of practices, maintenance procedures, other management practices and various structural practices such as but not limited to silt fence, sediment traps, seeding and mulching, and rip-rap used to prevent or reduce erosion and sediment runoff and the pollution of surface waters of the State. BMPs also include treatment requirements, operating procedures and practices to control plant site runoff, spillage or leaks, sludge or waste disposal, or drainage from raw material storage.

“Buffer zone” means the region near the border of a protected area; a transition zone between areas managed for different objectives.

“Clearing” means cutting and removing vegetation with chain saws, brush axes, brush hogs and other mechanical means where there is little or no soil disturbance.

“Clean Water Act” (CWA) (formerly referred to as the Federal Water Pollution Control Act or Federal Water Pollution Control Act Amendments of 1972) Public Law 92-500, as amended by Public Law 95-217, Public Law 97-117 and Public Law 95-576; 33 U.S.C. 1251 et seq.

“Common plan of development” is a contiguous construction project where multiple separate and distinct construction activities may be taking place at different times on different schedules but under one plan. The “plan” is broadly defined as any announcement or piece of documentation or physical demarcation indicating construction activities may occur on a specific plot; included in this definition are most subdivisions.

“Control” is a best management practice such as erosion control or sediment control that will reduce sedimentation on a construction project.

“Construction Activity” means land disturbance operations such as grubbing, grading, filling, and excavating during site development for residential, commercial or industrial purposes. This includes, but is not limited to, access roads, borrow and spoil areas.

“Director” means the Director of the Division of Water and Waste Management, Department of Environmental Protection, or her designated representative.

BUYER CB-23	PAGE 044	REQ. OR PO NO. DEP14253
SPENDING UNIT WEST VIRGINIA DEPARTMENT OF ENVIRONMENTAL PROTECTION/OFFICE OF SPECIAL RECLAMATION		

WV-36a STATE OF WEST VIRGINIA
REV. 1/29/02 PURCHASING CONTINUATION SHEET
VENDOR:

“Disturbed area” is the total area of land disturbing activity that will take place during all phases of a construction project, including, but not limited to, all waste and borrow sites, utility installation, road building, mass grading, and site development.

“Diversion” means a berm or excavated channel or combination berm and channel constructed across sloping land on a predetermined grade. This includes but is not limited to protecting work areas from upslope runoff and reducing the size of the drainage going to sediment trapping structures (clean water diversion), transporting runoff across a project to minimize erosion and diverting sediment-laden water to an appropriate sediment-trapping structure.

“Erosion” means the displacement of solids (soil, mud, rock, and other particles) by the agents of wind, water, and ice in response to gravity.

“Establishment” means an industrial establishment, mill, factory, tannery, paper and pulp mill, mine, colliery, breaker or mineral processing operation, quarry, refinery, well and each and every industry or plant or works in the operation or process of which industrial wastes, sewage or other wastes are produced.

“Estimate” means to be based on a technical evaluation of the sources contributing to the discharge.

“Excavating” means large scale grading accomplished usually with heavy machinery.

“Final stabilization” means disturbed areas shall be covered permanent protection. Final stabilization includes pavement, buildings, stable waterways (riprap, concrete, grass or pipe), a healthy, vigorous stand of perennial grass that uniformly covers at least 70 percent of the ground, stable outlet channels with velocity dissipation that directs site runoff to a natural watercourse, and any other approved structure or material.

“Grading” means changing surface contours by removing soil and stone from one place and building it up in another.

“Groundwater” means the water occurring in the zone of saturation beneath the seasonal high water table or any perched water zones.

“Groundwater Protection Plan” (GPP) means groundwater protection practices developed and implemented in accordance with WV Legislative Rules, 47CSR58 (Groundwater Protection Rule).

“Grubbing” means physically removing vegetative stumps and roots from the ground and disturbing the earth, usually by heavy machinery.

“Intermittent stream” means a stream that has no flow during sustained periods of no precipitation and does not support aquatic life whose life history requires residence in flowing waters for a continuous period of at least six months.

“Karst” means a type of topography formed over limestone, dolomite, or gypsum resulting in dissolving or solution of the underlying calcareous rock.

“Minor construction activity” means an activity which disturbs one acre or more, but less than three acres.

“National Pollutant Discharge Elimination System” (NPDES) means the national program for issuing, denying, modifying, revoking and reissuing, suspending, revoking, monitoring and enforcing permits, and imposing and enforcing pretreatment requirements under Section 307, 318, 402, and 405 of CWA, including any approved state program.

“Notice of Intent” (NOI) is the form to be submitted by the applicant to register a small construction project (one that disturbs one to less than three acres) under the Construction Stormwater General Permit. A project that disturbs one to less than three acres but will have construction activities one year or longer must file a Site Registration Application Form.

“Notice of Termination” (NOT) is the form to be submitted by the permittee to terminate coverage under the Construction General Stormwater Permit, after final stabilization has been completed. See Final Stabilization.

BUYER CB-23	PAGE 045	REQ. OR PO NO. DEP14253
SPENDING UNIT WEST VIRGINIA DEPARTMENT OF ENVIRONMENTAL PROTECTION/OFFICE OF SPECIAL RECLAMATION		

WV-36a STATE OF WEST VIRGINIA
REV. 1/29/02 PURCHASING CONTINUATION SHEET
VENDOR:

“Permanent detention/retention facility” means: Detention- The process of reducing offsite stormwater discharge rates by temporarily holding the water in a storage basin and then releasing it slowly over a period of time. The objective of a detention facility is to regulate the runoff from a given rainfall event and to control discharge rates to reduce the impact on downstream stormwater systems. Retention- The prevention of stormwater runoff from being discharged into receiving waters by storing it in a storage area. Water is retained and stored until it is lost through percolation, removed by evapotranspiration by plants, or through evaporation from the free water surface. Retention systems are designed to not have any offsite discharges.

“Point source” is any discernible, confined and discrete conveyance, including but not limited to, any pipe, ditch, channel, tunnel, conduit, well, discrete fissure, and container from which pollutants are or may be discharged to surface waters of the state.

“Pollutant” means industrial waste, sewage or other wastes.

“Post-development” means the anticipated final conditions of the project, including rooftops, parking lots, streets, drainage systems, vegetation, and any other structure planned. For subdivisions and speculative developments, it will be assumed that all lots are developed.

“Pre-development” means the condition of the land, the amount and health of the ground cover and vegetation prior to development.

“Runoff coefficient” means the fraction of total rainfall that is not infiltrated into the ground that will appear at the point of discharge as runoff.

“Runoff curve number” is the numeric value reflecting the runoff coefficient and is based on soils, slopes, and type and health of the ground cover.

“Secretary” means the Secretary of the Department of Environmental Protection, or her designated representative.

“Sediment” means any particulate matter that can be transported by fluid flow and which eventually is deposited as a layer of solid particles on the bed or bottom of a body of water or other liquid.

“Sedimentation” means the deposition by settling of a suspended material.

“Sediment trap” means a temporary ponding area formed by constructing an embankment or excavation and embankment that will trap the flow of sediment-laden runoff. Sediment traps have a properly stabilized outlet/weir or riser and pipe to detain sediment-laden runoff from small disturbed areas of five acres or less. Outlets must be designed to extend the detention time and allow the majority of the sediment to settle out.

“Sediment basin” means a temporary structure consisting of an earthen embankment, or embankment and excavated area, located in a suitable area to capture sediment-laden runoff from a construction site. A sediment basin reduces the energy of the water through extended detention (48 to 72 hours) to settle out the majority of the suspended solids and sediment and prevent sedimentation in waterways, culverts, streams and rivers. Sediment basins have both wet and dry storage space to enhance the trapping efficiency and are appropriate in drainage areas of five acres and greater.

“Sinkhole” means a depression in the land surface formed by solution or collapse that directs surface runoff into subsurface or to an underground drainage flow.

“Site Registration Application forms” means the forms designed by the Director for the purpose of registering for coverage under a general permit. Under the General Permit there will be two separate forms, one for one to less than three acres (Notice of Intent) and the Site Registration Application form for projects that disturb three acres and greater. A project that disturbs one to less than three acres but will have construction activities one year or longer must file a Site Registration Application form.

“Stormwater” means stormwater runoff, snowmelt runoff, and surface runoff and drainage.

“Stormwater management facilities” means structures such as ponds, basins, outlets, ditches, velocity dissipaters, infiltration trenches and basins, extended detention basins and ponds, and any other structure used to control the quality and quantity of stormwater from a development project.

BUYER CB-23	PAGE 046	REQ. OR PO NO. DEP14253
SPENDING UNIT WEST VIRGINIA DEPARTMENT OF ENVIRONMENTAL PROTECTION/OFFICE OF SPECIAL RECLAMATION		

WV-36a STATE OF WEST VIRGINIA
REV. 1/29/02 PURCHASING CONTINUATION SHEET
VENDOR:

“Stormwater Pollution Prevention Plan” (SWPPP) means the erosion and sediment control plan and the post development plan submitted as part of the Site Registration Application form.

“Tier 2.5 Waters” means Waters of Special Concern as identified in 60CSR5 (Antidegradation Implementation Procedures) and 47CSR2-4.1.c. (Requirements Governing Water Quality Standards).

“Tier 3 Waters” means waters as otherwise identified in 47CSR2-4.1.d. (Requirements Governing Water Quality Standards).

“Trout Streams” means any waters which meet the definition of 47CSR2-2.18. (Requirements Governing Water Quality Standards).

“1-year, 24-hour precipitation event” means the maximum 24-hour precipitation event with a probable recurrence interval of once in one year.

“25-year, 24-hour precipitation” means the maximum 24-hour precipitation event with a probable recurrence interval of once in 25 years.

SECTION F. OTHER REPORTING

F.1. Reporting Spill and Accidental Discharges

Nothing in this permit shall be construed to preclude the institution of any legal action or relieve the permittee from any responsibilities, liabilities, or penalties established pursuant to 47CSR11-2. (Special Rules) of the West Virginia Legislative Rules promulgated pursuant to Chapter 22, Article 11.

F.2. Immediate Reporting

F.2.a. The permittee shall report any noncompliance which may endanger health or the environment immediately after becoming aware of the circumstances by using the Department’s designated spill alert telephone number ((800) 642-3074). A written submission shall be provided within five days of the time the permittee becomes aware of the circumstances. The written submission shall contain a description of the noncompliance and its cause; the period of noncompliance, including exact dates and time, and if, the noncompliance has not been corrected, the anticipated time it is expected to continue; and steps taken or planned to reduce, eliminate, and prevent recurrence of the noncompliance.

SECTION G. OTHER REQUIREMENTS

G.1. Requiring an Individual Permit or an Alternative General Permit.

G.1.a. The Director may require any person authorized by this permit to apply for and obtain either an individual NPDES permit or an alternative NPDES General Permit. Any interested person may petition the Director to take action under this paragraph. The Director may require any owner or operator authorized by this permit to apply for an individual NPDES permit only if the owner or operator has been notified in writing that such a permit application is required.

G.2. Prohibition of Non-Stormwater Discharges

All discharges authorized by this permit shall be composed entirely of stormwater. Discharges of material other than stormwater are not authorized by this permit except as follows.

BUYER CB-23	PAGE 047	REQ. OR PO NO. DEP14253
SPENDING UNIT WEST VIRGINIA DEPARTMENT OF ENVIRONMENTAL PROTECTION/OFFICE OF SPECIAL RECLAMATION		

WV-36a STATE OF WEST VIRGINIA
REV. 1/29/02 PURCHASING CONTINUATION SHEET
VENDOR:

The following non-stormwater discharges are authorized by this permit: discharges from firefighting activities, fire hydrant flushing; waters used to wash vehicles or control dust; potable water sources, including waterline flushing; irrigation drainage; lawn watering; routine external building washdown which does not use detergents; pavement washwater where spills or leaks of toxic or hazardous materials have not occurred (unless all spilled material has been removed) and where detergents are not used; air conditioning condensate; springs; uncontaminated groundwater; and foundation or footing drains where flows are not contaminated with process materials such as solvents that are combined with stormwater discharges associated with industrial activity.

This permit does not authorize the conveyance, diversion, channeling, directing or otherwise allowing the discharge of stormwater into a sinkhole without an Underground Injection Control Permit.

G.3. Releases in Excess of Reportable Quantities

This permit does not relieve the permittee of the reporting requirements of 40CFR117 and 40CFR302. The discharge of hazardous substances in the stormwater discharge(s) from a project is not authorized by this General Permit, and in no case shall the discharge(s) contain a hazardous substance equal to or in excess of reporting quantities.

G.4. Stormwater Pollution Prevention Plans and Groundwater Protection Plans (SWPPP/GPP)

A Stormwater Pollution Plan and a Groundwater Protection Plan shall be developed for each project covered by this permit. These two plans may be combined into one plan if all of the requirements for both plans are met. Alternatively, they may be developed and maintained as separate stand-alone documents.

Stormwater Pollution Prevention Plans shall be prepared in accordance with good engineering practices. The plan shall identify potential sources of pollution that may reasonably be expected to affect the quality of stormwater discharges associated with construction activity. In addition, the plan shall describe and ensure the implementation of practices that are to be used to reduce the pollutants in stormwater discharges associated with construction activity and to assure compliance with the terms and conditions of this permit.

Groundwater Protection Plans (GPP) shall be prepared in accordance with the requirements of 47CSR58-4.11. et seq (Groundwater Protection Regulations). The GPP shall identify all operations that may reasonably be expected to contaminate the groundwater resources with an indication of the potential for soil and groundwater contamination from those operations. In addition the GPP shall provide a thorough and detailed description of procedures designed to protect groundwater from the identified potential contamination sources. The GPP is not required to be submitted to the Division of Water and Waste Management for review. Guidance in the completion of a GPP is available from the Division of Water and Waste Management.

G.4.a. The SWPPP and the GPP shall be signed in accordance with Section C.6. and retained onsite.

G.4.b. The application and SWPPP shall be submitted to the Division of Water and Waste Management at least 45 days before construction is to begin, except as noted in G.4.b.3. and G.4.b.4. Prospective permittees should submit applications for review prior to accepting construction bids on the project. As the plans are evaluated by the Director or authorized representative, the Director or authorized representative may notify the permittee during the 45-day review period that the plan does not meet one or more of the minimum requirements of this section. After such notification from the Director or authorized representative, the permittee shall make changes to the plan in accordance with the time frames established below, and shall submit to the Director a written certification that the requested changes have been made.

G.4.b.1. Except as provided in G.4.b.2., the permittee shall have 30 days after such notification to make the changes necessary.

G.4.b.2. The permittee shall have 24 hours after such notification to make changes relating to sediment and erosion controls to prevent loss of sediment from an active construction site, unless additional time is provided by the Director or an authorized representative.

BUYER CB-23	PAGE 048	REQ. OR PO NO. DEP14253
SPENDING UNIT WEST VIRGINIA DEPARTMENT OF ENVIRONMENTAL PROTECTION/OFFICE OF SPECIAL RECLAMATION		

WV-36a STATE OF WEST VIRGINIA
REV. 1/29/02 PURCHASING CONTINUATION SHEET
VENDOR:

- G.4.b.3. Projects disturbing less than three acres and that do not discharge to or upstream of Tier 2.5 or Tier 3 waters shall submit only the Notice of Intent Form (NOI) 10 days prior to initiating construction. A project that disturbs one to less than three acres but will have construction activities one year or longer must file a Site Registration Application form.
- G.4.b.4. Projects that will discharge to or upstream of Tier 2.5 or Tier 3 waters and disturb three acres or more, or that will disturb 100 or more acres, or that the grading phase of construction will last for more than one year, shall submit the application and SWPPP at least 90 days prior to construction to allow for the public notice procedure.
- G.4.b.5. Within 24 hours of filing an NOI (one to less than three acres) or a Site Registration Application (three acres or more) with DWWM, all projects shall display a sign for the duration of the construction project near the entrance of the project or, for linear projects, at a location near an active part of the project that is accessible by the public, which contains the following information using the template found in the instructions: 1) the registrant's name or the name of a contact person along with a telephone number; 2) A brief description of the project; 3) a statement indicating that the NOI or SWPPP, as applicable, has been filed with the DWWM; 4) the address and telephone number of the agency where the NOI or SWPPP is maintained; and 5) That any person may obtain a copy of the NOI or SWPPP by contacting the DWWM at (800) 654-5227. The sign shall be a minimum of two feet by two feet and at least three feet above ground level, clearly visible and legible from a public roadway or right-of-way. If it is not feasible to display a sign at or near the project, the registrant, with prior approval from the DWWM, may post a notice containing the foregoing information at a local public building, including, but not limited to, a town hall or public library.
- G.4.c. The permittee shall modify, using forms provided by DWWM, the SWPPP whenever there is a change in design, construction, scope of operation, or maintenance, which has the potential to adversely impact the surface waters of the State, or if the SWPPP proves to be ineffective in achieving the general objectives of controlling pollutants in stormwater discharges associated with construction activities. Should conditions warrant, the Director, or the Director's representative, may request changes to the SWPPP during a field inspection. The Director may review changes or modifications to the SWPPP in the same manner as above.
- The permittee shall amend the GPP whenever there is a change in design, construction, operation, or maintenance which could reasonably be expected to have an impact on the potential contamination of groundwater.
- G.4.d. In addition to the requirements of G.4.e, the SWPPP shall also include, at a minimum, the following items:
- G.4.d.1. General management controls
- G.4.d.1.A. Preventive maintenance – A preventive maintenance program shall involve inspection and maintenance of sediment and erosion control best management practices to identify and address conditions that could cause breakdowns or failures resulting in discharges of pollutants to surface waters.
- G.4.d.1.B. Good housekeeping – Good housekeeping requires the maintenance of a clean and orderly project.
- G.4.d.1.C. Spill prevention and response procedures – Areas where potential spills may occur, and their accompanying drainage points, shall be identified clearly in the SWPPP/GPP. Where appropriate, specify material handling procedures and storage requirements in the SWPPP/GPP. Procedures for cleaning up spills shall be identified in the plan and made available to the appropriate personnel. The necessary equipment to implement a cleanup shall be available to personnel, including spill kits.
- G.4.d.2. Consistency with other plans
- Stormwater Pollution Prevention Plans may reflect requirements for Spill Prevention Control and Countermeasure (SPCC) plans under section 311 of the CWA or any Best Management Practices (BMP) and Groundwater Protection Plans (GPP) pursuant to 47CSR58 (Groundwater Protection Rule) or otherwise required by an NPDES permit and may incorporate any part of such plans into the Stormwater Pollution Prevention Plan by reference.
- G.4.e. Requirements for construction activities – Operations that discharge stormwater associated with construction activity disturbing one or more acres are not only subject to the requirements of Section G.4.d. of this permit, but are also subject to the following requirements. The SWPPP shall include, as a minimum, the following items.

BUYER CB-23	PAGE 049	REQ. OR PO NO. DEP14253
SPENDING UNIT WEST VIRGINIA DEPARTMENT OF ENVIRONMENTAL PROTECTION/OFFICE OF SPECIAL RECLAMATION		

WV-36a STATE OF WEST VIRGINIA
REV. 1/29/02 PURCHASING CONTINUATION SHEET
VENDOR:

- G.4.e.1. Site description – Each plan shall, at a minimum, provide a description of the following:
- G.4.e.1.A. A description of the nature of the construction activity, including a proposed timetable for major activities;
- G.4.e.1.B. Estimates of the total area of the site and the part of the site that is expected to undergo excavation or grading and the total amount of excavation by cut and fill;
- G.4.e.1.C. For each discharge design point, the pre-construction peak discharge from a one year, 24-hour storm in cubic feet per second and an the post-development peak discharge from a one year, 24-hour storm in cubic feet per second shall be calculated. The design procedures shall follow professionally accepted engineering and hydrologic methodologies.
- G.4.e.1.D. Site maps indicating, with a minimum of five-foot contours, drainage patterns and slopes prior to construction and anticipated conditions after grading activities, topsoil stockpiles, waste areas, borrow sites, locations of sediment control structures identified in the narrative, the location of impervious areas after construction is complete, final stormwater routing including all ditches and pipe systems, property boundaries and easements, nearest receiving stream, access roads, legend and springs, surface waters and any other information necessary to describe the project in detail.
- G.4.e.1.E. A description and detail of the proposed construction entrance(s). Each site shall have stone access entrance and exit drives and parking areas to reduce the tracking of sediment onto public or private roads. Except for haul roads, all unpaved roads on the site carrying more than 25 vehicles per day shall be graveled.
- G.4.e.2. Controls – Each construction operation covered by this permit shall develop a description of controls appropriate for the project and implement such controls. The description of these controls shall address the following minimum components, including a schedule for implementing such controls.
- G.4.e.2.A. Erosion and sediment controls
- G.4.e.2.A.i. Vegetative practices – A description of interim and permanent stabilization practices, including site specific implementation schedules of the practices shall be provided. Site plans should ensure that existing vegetation is preserved where attainable and that disturbed portions of the site are stabilized as rapidly as possible. Stabilization practices may include: temporary seeding, permanent seeding, mulching, geotextiles, sod stabilization, vegetative buffer strips, protection of trees, preservation of mature vegetation, and other appropriate measures. Also include in the plan seedbed preparation requirements and the type and amount of soil amendments necessary to establish a healthy stand of vegetation. A record of the dates when major grading activities will occur, and when construction activities temporarily or permanently cease on a portion of the site, and when stabilization measures will be initiated shall be included in the plan. Except as noted below, stabilization measures shall be initiated as soon as practicable in portions of the site where construction activities have temporarily or permanently ceased, but in no case more than seven days after the construction activity in that portion of the site has permanently ceased.
- G.4.e.2.A.i.a. Where the initiation of stabilization measures by the seventh day after construction activity temporarily or permanently ceases is precluded by snow cover, stabilization measures shall be initiated as soon as conditions allow.
- G.4.e.2.A.i.b. Where construction activity will resume on a portion of the site within 21 days from when activities ceased, (e.g., the total time period that construction activity is temporarily halted is less than 21 days) then stabilization measures do not have to be initiated on that portion of the site by the seventh day after construction activities have temporarily ceased.
- G.4.e.2.A.i.c. Areas where the seed has failed to germinate adequately (uniform perennial vegetative cover with a density of 70%) within 30 days after seeding and mulching must be reseeded immediately, or as soon as weather conditions allow.
- G.4.e.2.A.i.d. Diversions must be stabilized prior to becoming functional.

BUYER CB-23	PAGE 050	REQ. OR PO NO. DEP14253
SPENDING UNIT WEST VIRGINIA DEPARTMENT OF ENVIRONMENTAL PROTECTION/OFFICE OF SPECIAL RECLAMATION		

WV-36a STATE OF WEST VIRGINIA
REV. 1/29/02 PURCHASING CONTINUATION SHEET
VENDOR:

- G.4.e.2.A.ii. Structural practices – A description of the structural practices to be used to divert flows around exposed soils, store flows or otherwise limit runoff from exposed areas and eliminate sediment-laden runoff from the site. Such practices may include but are not limited to silt fences, earth dikes and berms, land grading, diversions, drainage swales, check dams subsurface drains; pipe slope drains, storm drain inlet protection, rock outlet protection, reinforced soil retention systems and geotextiles, gabions and riprap, and permanent and temporary sediment traps/basins.
- G.4.e.2.A.ii.a. For locations on a site that have a drainage area of five acres or less, a sediment trap which provides a storage volume equal to 3,600 cubic feet per acre of drainage area shall be installed. Half of the volume of the trap will be in a permanent pool and half will be dry storage.
- G.4.e.2.A.ii.b. For drainage areas of greater than five acres, a sediment basin providing 3,600 cubic feet per drainage acre shall be installed. Half of the volume of the basin shall be in a permanent pool and half shall be dry storage. Sediment basins must be able to dewater the dry storage volume in 48 to 72 hours. A sediment basin must be able to pass through the spillway(s) a 25-year, 24-hour storm event, and still maintain at least one foot of freeboard.
- G.4.e.2.A.ii.c. The inlet(s) and outlet(s) for a sediment trapping structure must be protected against erosion by appropriate material such as riprap or other similar media.
- G.4.e.2.A.ii.d. If necessary, diversions will be used to direct runoff to the trapping structure. Diversions must be stabilized prior to becoming functional.
- G.4.e.2.A.ii.e. For locations served by a common drainage where a detention basin providing 3,600 cubic feet of storage is not attainable, additional sediment and erosion controls within the project area are required in lieu of the required sized sediment basin. Justification and a narrative description of the additional measures proposed must be provided for use of any practice(s) other than sediment basins or traps.
- G.4.e.2.A.ii.f. Fill slopes must be protected by measures used to divert runoff away from fill slopes to conveyance measures such as pipe slope drains or stable channels.
- G.4.e.2.A.ii.g. Sediment trapping structures will be eliminated and the area properly reclaimed and stabilized when the contributing drainage area is stabilized and the structures are no longer needed, unless the structure is converted into a permanent stormwater detention/retention structure.
- G.4.e.2.A.ii.h. All trapped sediments will be disposed on an upland area where there is no chance of entering nearby streams.
- G.4.e.2.A.ii.i. Breaching the embankment to dewater the structure is not permitted. Dewatering and structure removal shall not cause a violation of water quality standards. Provide a description of the procedures that will be used in removing these structures and the time frame.
- G.4.e.2.A.ii.j. No sediment-laden water will be allowed to leave the site without going through an appropriate best management practice.
- G.4.e.2.A.ii.k. Hay or straw bales are not acceptable BMPs.
- G.4.e.2.A.iii. Presumptive conditions for discharges to Tier 2.5 and Tier 3 waters

Construction activities discharging to Tier 2.5 or Tier 3 waters will go through the Tier 2.5 or Tier 3.0 antidegradation review process.

BUYER CB-23	PAGE 051	REQ. OR PO NO. DEP14253
SPENDING UNIT WEST VIRGINIA DEPARTMENT OF ENVIRONMENTAL PROTECTION/OFFICE OF SPECIAL RECLAMATION		

WV-36a STATE OF WEST VIRGINIA
REV. 1/29/02 PURCHASING CONTINUATION SHEET
VENDOR:

G.4.e.2.B. Stormwater management plan

A description of measures that will be installed during construction to control pollutants in stormwater discharges after the project is completed shall be included in the SWPPP. The completed project shall convey stormwater runoff in a manner that will protect both the site and the receiving stream from post-construction erosion. All surface waters and other runoff conveyance structures shall be permanently stabilized as appropriate for expected flows. In developing structural practices for stormwater control, the permittee shall consider the use of, but not limited to: infiltration of runoff onsite; flow attenuation by use of open vegetated swales and natural depressions; stormwater retention structures and stormwater detention structures. A combination of practices may be utilized. The permittee should consider low impact development (LID) in the design of the site and the best management practices. This will allow the site to retain its natural hydrology and infiltrate stormwater within the boundary of the site. The use of impervious surfaces for stabilization should be avoided. Velocity dissipation devices shall be placed at the outlet of all detention or retention structures and along the length of any outlet channel as necessary to provide a non-erosive velocity flow from the structure to a water course.

Projects located in areas that have local government requirements and/or criteria for post development stormwater management must meet those requirements and/or criteria. Compliance with this general permit does not assure compliance with local codes regulations, or ordinances.

The permittee shall submit all calculations, watershed mapping, design drawings, and any other information necessary to explain the technical basis for the stormwater management plan. Since development site conditions vary widely, plan preparers will have significant latitude in designing practices to comply with this provision of the permit. However, design procedures shall follow professionally accepted engineering and hydrologic methodologies. Permanent stormwater management structures that will impound water (detention/retention basins or similar structures) shall be designed and certified by a registered professional engineer. These structures shall also have a certified as-built drawing submitted with the Notice of Termination at the completion of the project.

G.4.e.2.C Other controls

G.4.e.2.C.i. Waste disposal – All solid waste and construction/demolition material must be disposed of in accordance with the Code of West Virginia and Legislative Rule Title 33 Series 1, (Solid Waste Management Rule).

G.4.e.2.C.ii. Provisions must be made to control fugitive dust.

G.4.e.2.C.iii. Groundwater Protection Plan (GPP) – The applicant shall prepare a GPP that will satisfy the 47CSR58-4.11. et seq. Groundwater must be protected in accordance with the Code of West Virginia and Legislative Rule Title 47 Series 58 (Groundwater Protection Rule).

G.4.e.2.C.iv. Employee training – Employee training programs shall inform personnel at all levels of responsibility of the components and goals of the SWPPP. Training should address topics such as spill response, good housekeeping and routine inspection. Training shall be on a quarterly basis and records of the training shall be maintained on site for review by the Director or the Director's representative.

G.4.e.2.C.v. Visual inspection – Company personnel shall be identified to inspect as set forth under G.4.e.2.D. A tracking procedure shall be used to ensure that adequate corrective actions have been taken in response to deficiencies identified during an inspection. Records of inspections shall be maintained onsite for review by the Director or the Director's representative.

G.4.e.2.C.vi. Recordkeeping and internal reporting procedures – Incidents such as spills, leaks and improper dumping, along with other information describing the quality and quantity of stormwater discharges should be included in the records. Inspection and maintenance records must be kept onsite for review by the Director or the Director's representative.

G.4.e.2.D Maintenance

A description of procedures to maintain in good and effective condition and promptly repair or restore all grade surfaces, walls, dams and structures, vegetation, erosion and sediment control measures and other protective devices identified in the site plan. At a minimum, procedures in a plan shall provide that all erosion controls on the site are inspected at least once every seven calendar days and within 24 hours after any storm event of greater than 0.5 inches of rain per 24-hour period.

BUYER CB-23	PAGE 52	REQ. OR PO NO. DEP14253
SPENDING UNIT WEST VIRGINIA DEPARTMENT OF ENVIRONMENTAL PROTECTION/OFFICE OF SPECIAL RECLAMATION.		

WV-36a STATE OF WEST VIRGINIA
REV. 1/29/02 PURCHASING CONTINUATION SHEET
VENDOR:

G.4.e.2.D.i. All public and private roads adjacent to a construction entrance must be inspected and cleaned of debris originating from the construction site as necessary.

G.4.f. All Stormwater Pollution Prevention Plans and Groundwater Protection Plans required under this permit are considered reports that shall be available to the public under Section 308(b) of the CWA. The owner or operator of a project with stormwater discharges covered by this permit shall make plans available to members of the public upon request. However, the permittee may claim any portion of a Stormwater Pollution Plan or Groundwater Protection Plan as confidential in accordance with 47 CSR10-12.7. (NPDES Program).

G.4.g. Compliance with other laws and statutes

Nothing in this general permit shall be construed as excusing the permittee from compliance with any applicable federal, state, or local statutes, ordinances, or regulations.

G.5. Discharges to Impaired Waters

This permit does not authorize new sources or new discharges of constituents of concern to impaired waters unless consistent with the approved total maximum daily load (TMDL) and applicable state law. Impaired waters are those that do not meet applicable water quality standards and are listed on the Clean Water Act Section 303(d) list. Pollutants of concern are those constituents for which the water body is listed as impaired. Discharges of pollutants of concern to impaired waterbodies for which there is an approved TMDL are not eligible for coverage under this permit unless they are consistent with the approved TMDL. Within six months of the TMDL approval, permittees must incorporate any limitations, conditions or requirements applicable to their discharges necessary for compliance with the TMDL, including any monitoring or reporting required by DWWM rules, into their SWPPP in order to be eligible for coverage under this general permit.

Sites that discharge into a receiving water that has been listed on the Clean Water Act 303(d) list of impaired waters, and with discharges that contain the pollutant(s) for which the water body is impaired, must document in the SWPPP how the BMPs will control the discharge of the pollutant(s) of concern.

G.6. Endangered and Threatened Species

If a site discharges to a stream where a federally endangered or threatened species or its habitats are present, the applicant shall contact the U.S. Fish and Wildlife Service to insure that requirements of the federal Endangered Species Act are met.

H. Reopener Clause

If there is evidence indicating potential or realized impacts on water quality due to any stormwater discharge authorized by this general permit, the owner or operator of such discharge may be required to obtain an individual permit or alternative general permit in accordance with Section G.1. of this permit, or the permit may be modified to include different limitations and/or requirements.

I. The conditions, standards, and limitations of this General Permit will be reviewed at the time of reissuance for possible revisions that may lead to more or less stringent conditions, standards, and limitations.

BUYER CB-23	PAGE 053	REQ. OR PO NO. DEP14253
SPENDING UNIT WEST VIRGINIA DEPARTMENT OF ENVIRONMENTAL PROTECTION/OFFICE OF SPECIAL RECLAMATION		

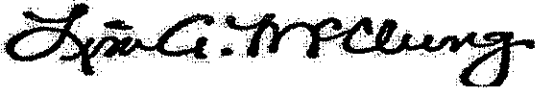
WV-36a STATE OF WEST VIRGINIA
REV. 1/29/02 PURCHASING CONTINUATION SHEET
VENDOR:

J. Permit coverage for construction activities encompassed by this permit expires upon satisfactory stabilization of the site. Satisfactory stabilization means ALL disturbed areas shall be covered by some permanent protection. Stabilize includes pavement, buildings, waterways (riprap, concrete, grass, or pipe), a healthy, vigorous stand of grass that uniformly covers more than 70 percent of the ground, stable outlet channels with velocity dissipation which directs site runoff to a natural watercourse, and any other approved structure or material. The permittee will request a final inspection by sending in the Notice of Termination. The Notice of Termination shall also include as-built drawings, certified by a registered professional engineer, for any permanent ponds or basins. Sites not stabilized will continue to have coverage under this permit and will be assessed an annual permit fee as promulgated by the West Virginia Legislature. Sites will be assessed a prorated annual fee based upon the completion date and proper stabilization. The Notice of Termination must be submitted within 30 days after final stabilization is achieved.

The herein-described activity is to be constructed or installed and operated, used and maintained strictly in accordance with the terms and conditions of this permit with any plans, specifications, and information submitted with the individual site registration application form, with any plan of maintenance and method of operation thereof submitted and with any applicable rules and regulations promulgated by the Environmental Quality Board and the Secretary of the Department of Environmental Protection.

Failure to comply with the terms and conditions of this permit, with any plans, specifications and information submitted, and with any plan of maintenance and method of operation thereof submitted shall constitute grounds for the revocation or suspension of this permit to any individual establishment or other person and for the invocation of all the enforcement procedures set forth in Chapter 22, Articles 11 and 12 of the Code of West Virginia.

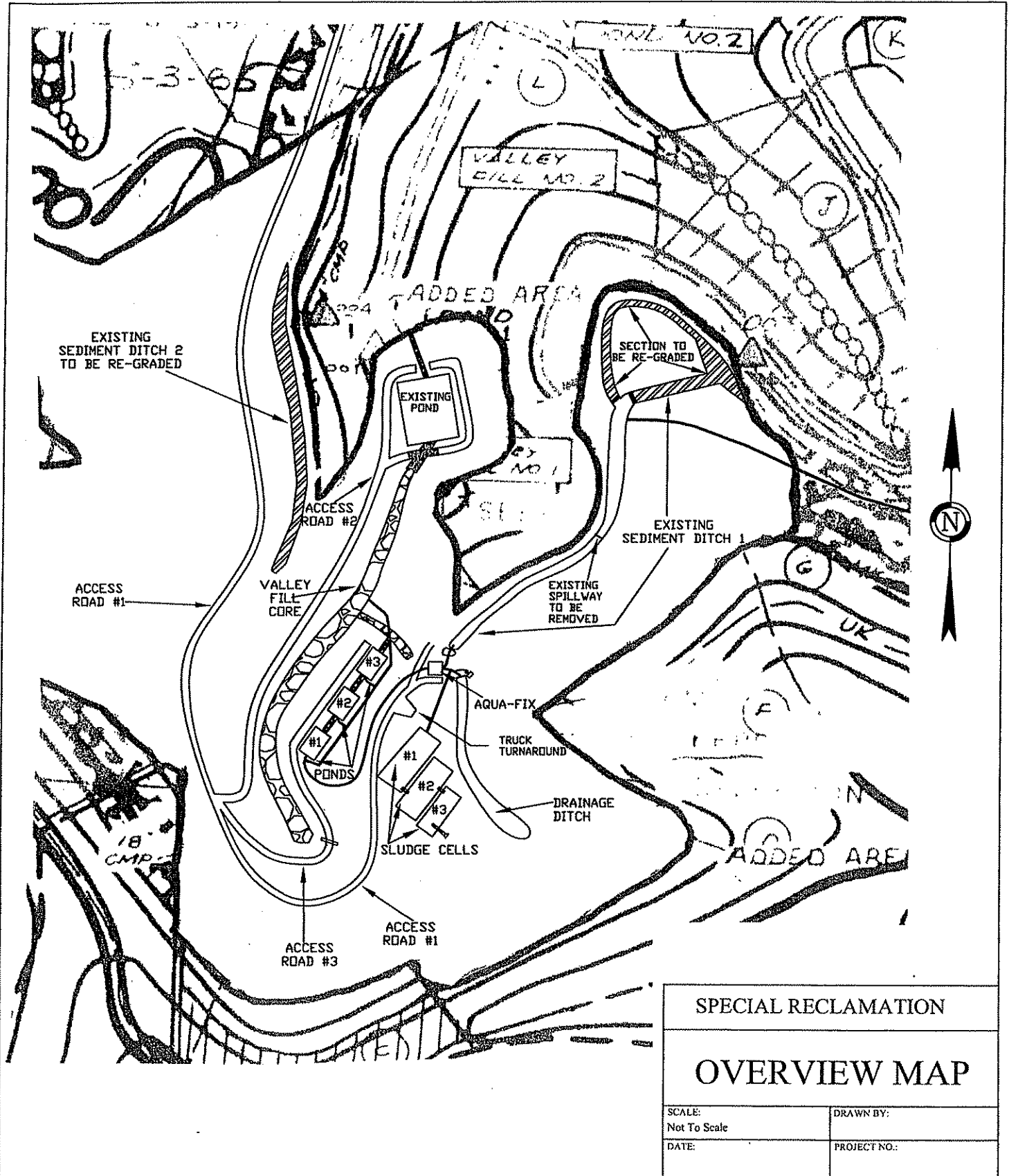
This permit is issued in accordance with the provisions of Chapter 22, Article 11 of the Code of West Virginia.



BY: _____
Director

BUYER CB-23	PAGE 34	REQ. or P.O. No. DEP14253
SPENDING UNIT WEST VIRGINIA DEPARTMENT OF ENVIRONMENTAL PROTECTION/ SPECIAL RECLAMATION		

WV-36 STATE OF WEST VIRGINIA
 REV. 1/29/02 PURCHASING CONTINUATION SHEET
 VENDOR:

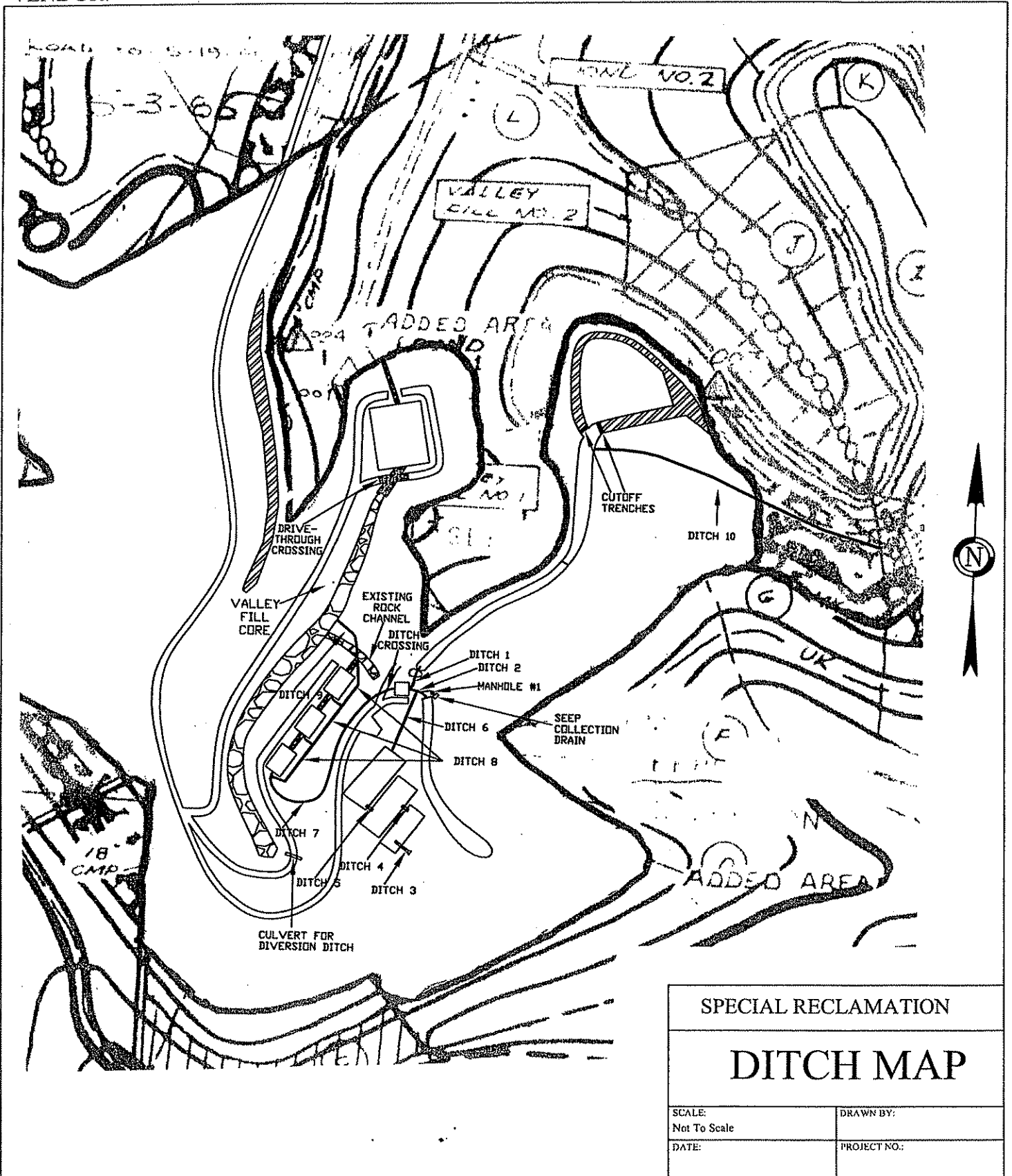


SPECIAL RECLAMATION	
OVERVIEW MAP	
SCALE: Not To Scale	DRAWN BY:
DATE:	PROJECT NO.:

BUYER CB-23	PAGE 155	REQ. or P.O. No. DEP14253
SPENDING UNIT WEST VIRGINIA DEPARTMENT OF ENVIRONMENTAL PROTECTION/ SPECIAL RECLAMATION		

WV-36
REV. 1/29/02
VENDOR:

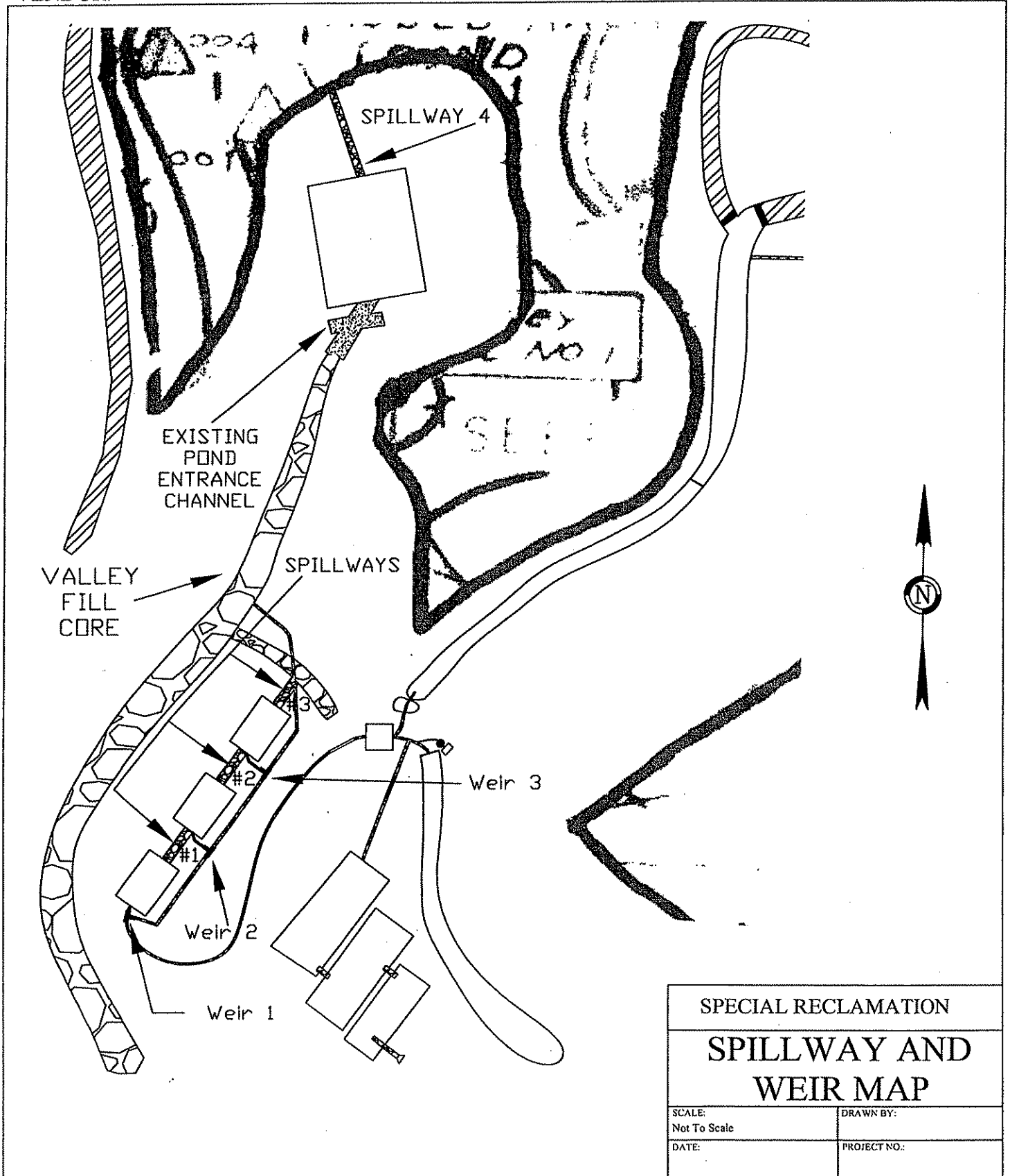
STATE OF WEST VIRGINIA
PURCHASING CONTINUATION SHEET



SPECIAL RECLAMATION	
DITCH MAP	
SCALE: Not To Scale	DRAWN BY:
DATE:	PROJECT NO.:

BUYER CB-23	PAGE 56	REQ. or P.O. No. DEP14253
SPENDING UNIT WEST VIRGINIA DEPARTMENT OF ENVIRONMENTAL PROTECTION/ SPECIAL RECLAMATION		

WV-36 STATE OF WEST VIRGINIA
 REV. 1/29/02 PURCHASING CONTINUATION SHEET
 VENDOR:

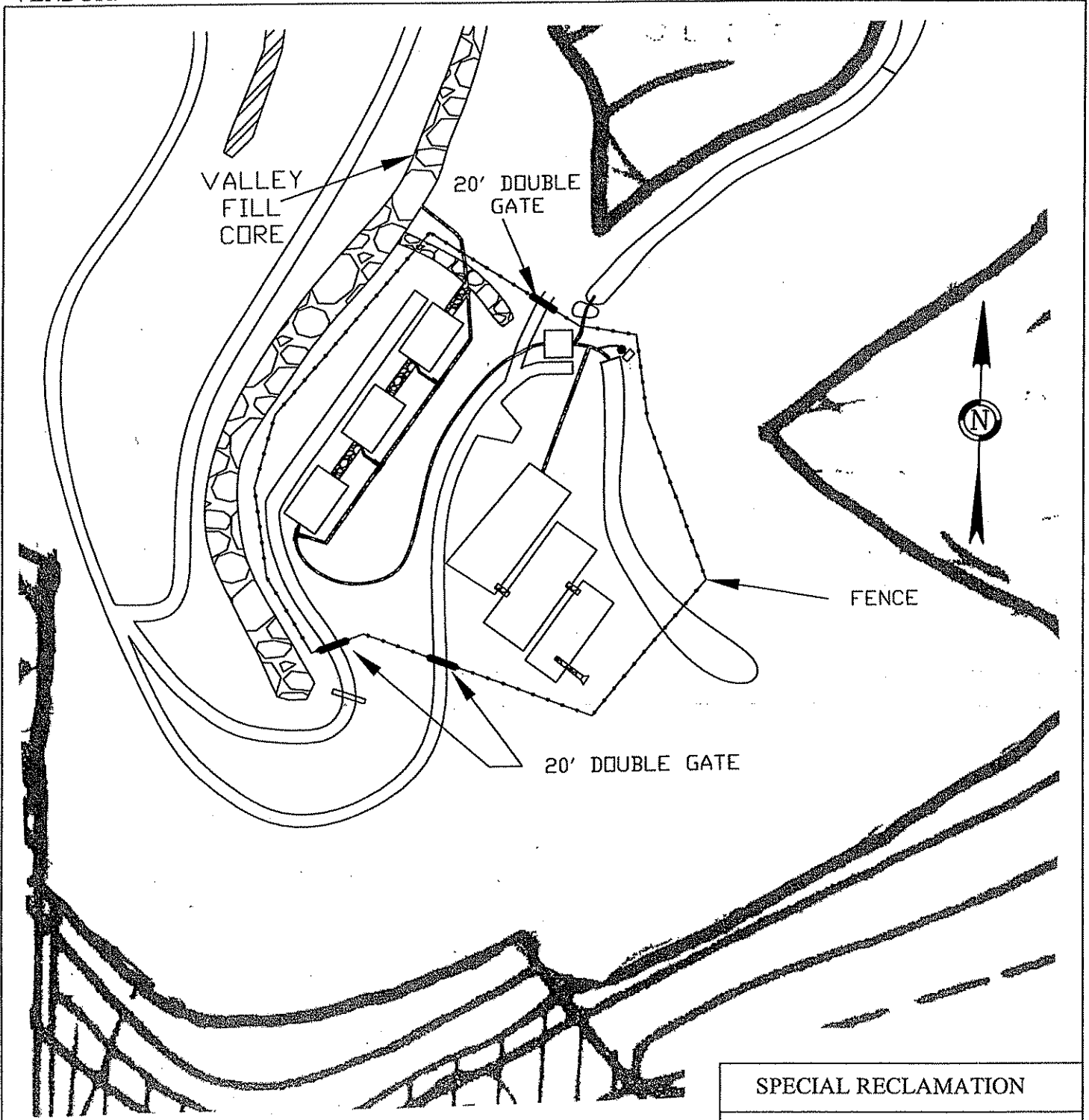


SPECIAL RECLAMATION	
SPILLWAY AND WEIR MAP	
SCALE: Not To Scale	DRAWN BY:
DATE:	PROJECT NO.:

BUYER CB-23	PAGE 057	REQ. or P.O. No. DEP14253
SPENDING UNIT WEST VIRGINIA DEPARTMENT OF ENVIRONMENTAL PROTECTION/ SPECIAL RECLAMATION		

WV-36
REV. 1/29/02
VENDOR:

STATE OF WEST VIRGINIA
PURCHASING CONTINUATION SHEET



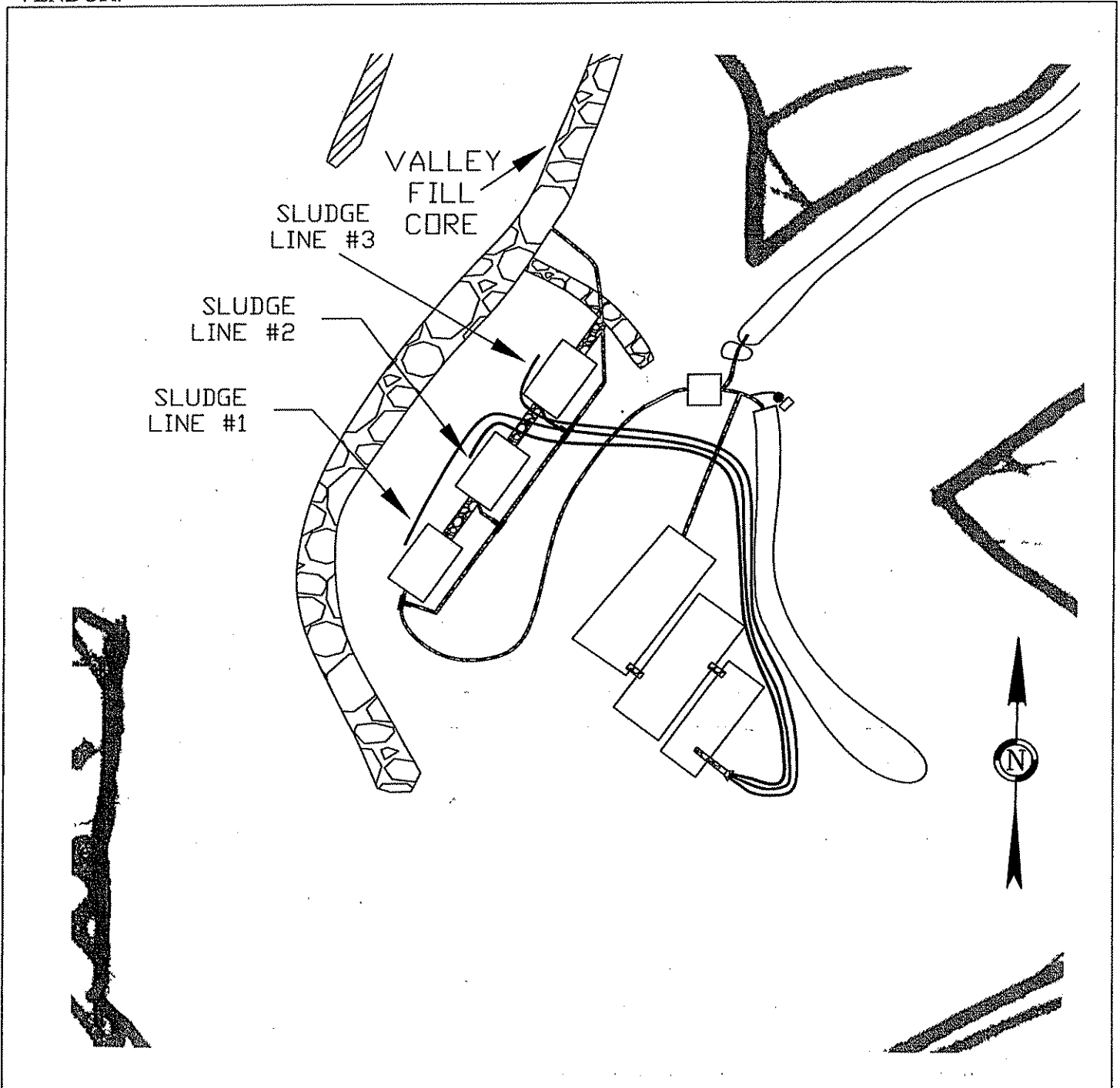
LEGEND	
	DOUBLE GATE
	FENCE LINE

SPECIAL RECLAMATION	
FENCE MAP	
SCALE: Not To Scale	DRAWN BY:
DATE:	PROJECT NO.:

BUYER CB-23	PAGE 058	REQ. or P.O. No. DEP14253
SPENDING UNIT WEST VIRGINIA DEPARTMENT OF ENVIRONMENTAL PROTECTION/ SPECIAL RECLAMATION		

WV-36
REV. 1/29/02
VENDOR:

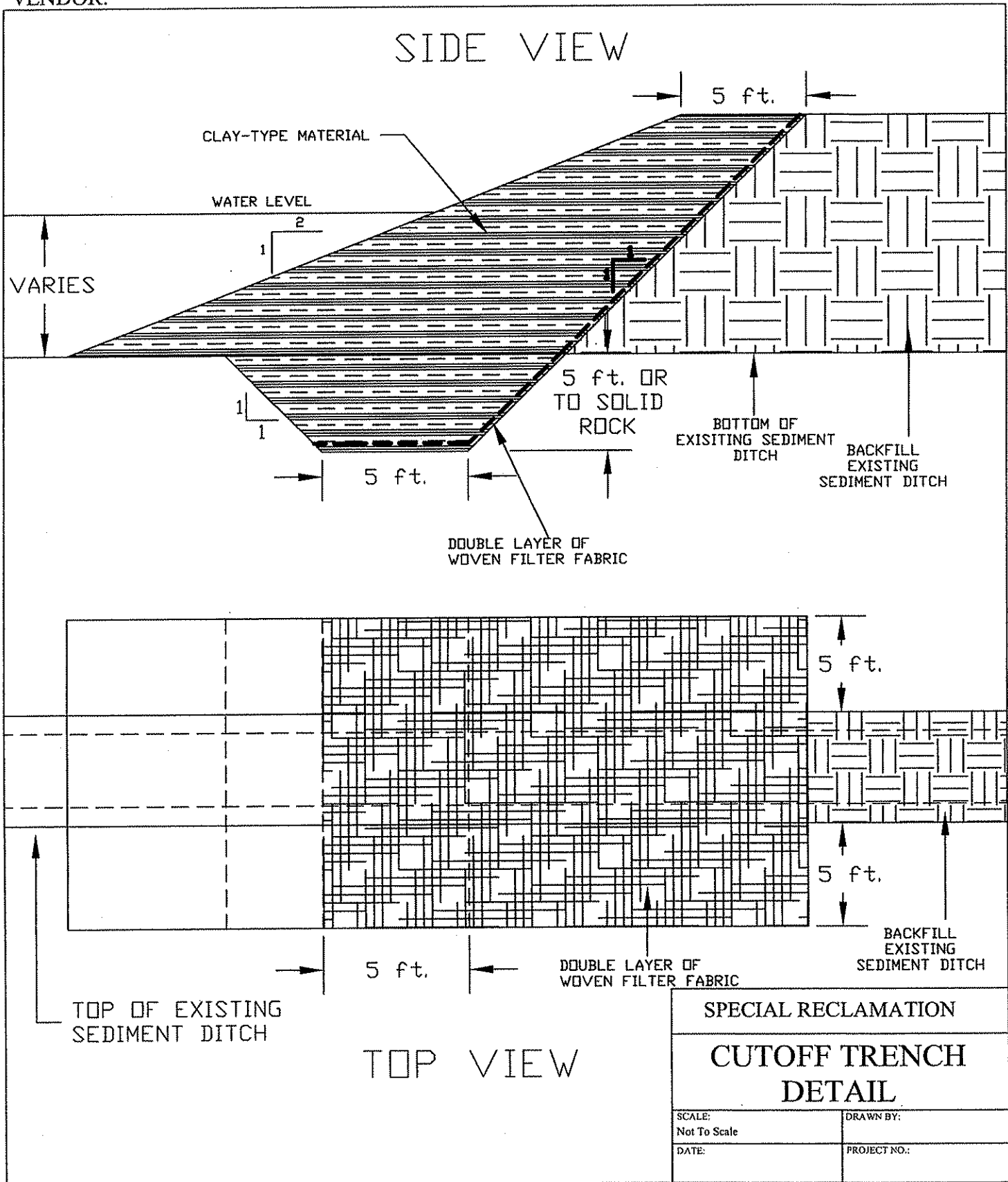
STATE OF WEST VIRGINIA
PURCHASING CONTINUATION SHEET



SPECIAL RECLAMATION	
SLUDGE LINE MAP	
SCALE: Not To Scale	DRAWN BY:
DATE:	PROJECT NO.:

WV-36
REV. 1/29/02
VENDOR:

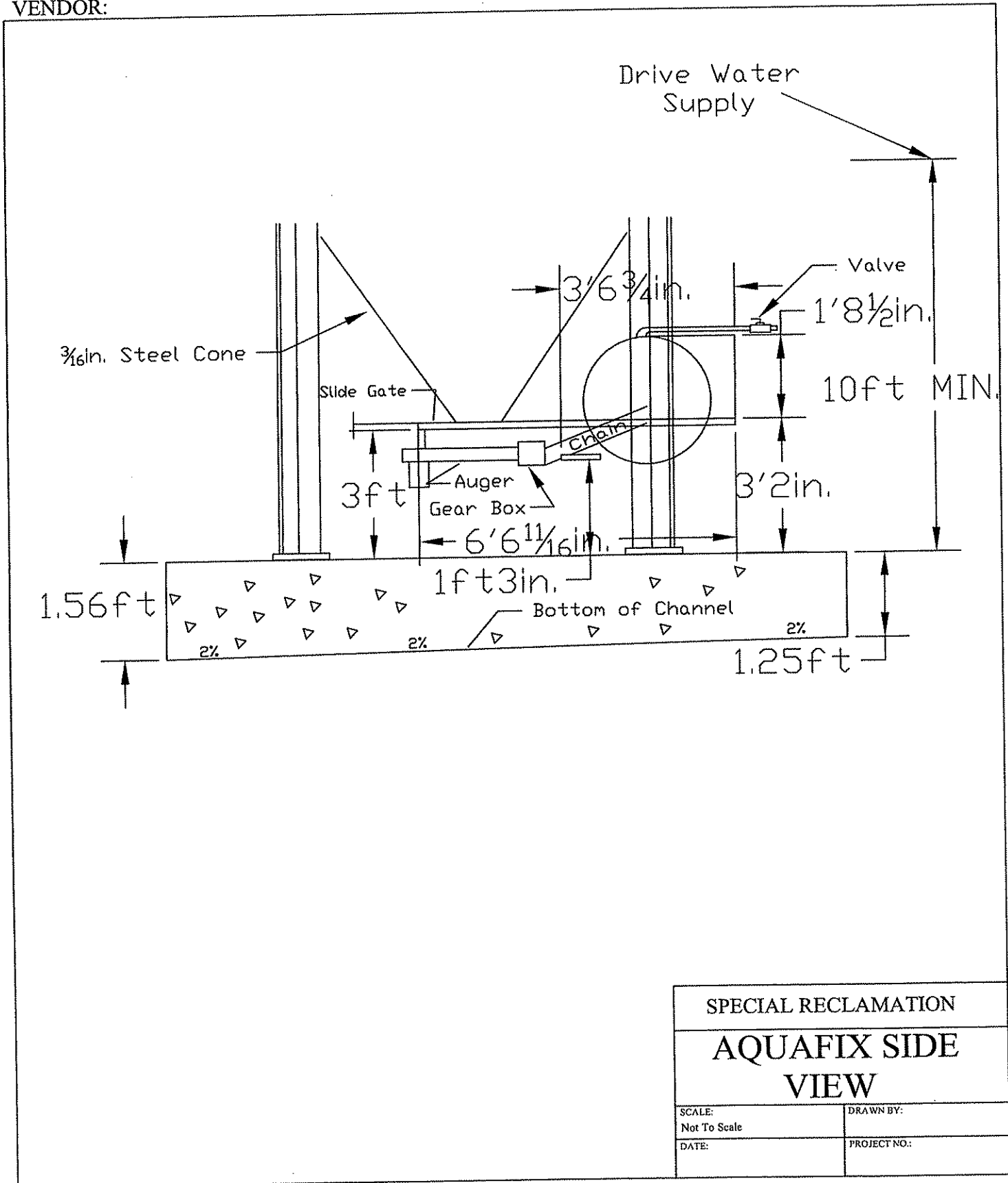
STATE OF WEST VIRGINIA
PURCHASING CONTINUATION SHEET



BUYER CB-23	PAGE 060	REQ. or P.O. No. DEP14253
SPENDING UNIT WEST VIRGINIA DEPARTMENT OF ENVIRONMENTAL PROTECTION/ SPECIAL RECLAMATION		

WV-36
REV. 1/29/02
VENDOR:

STATE OF WEST VIRGINIA
PURCHASING CONTINUATION SHEET

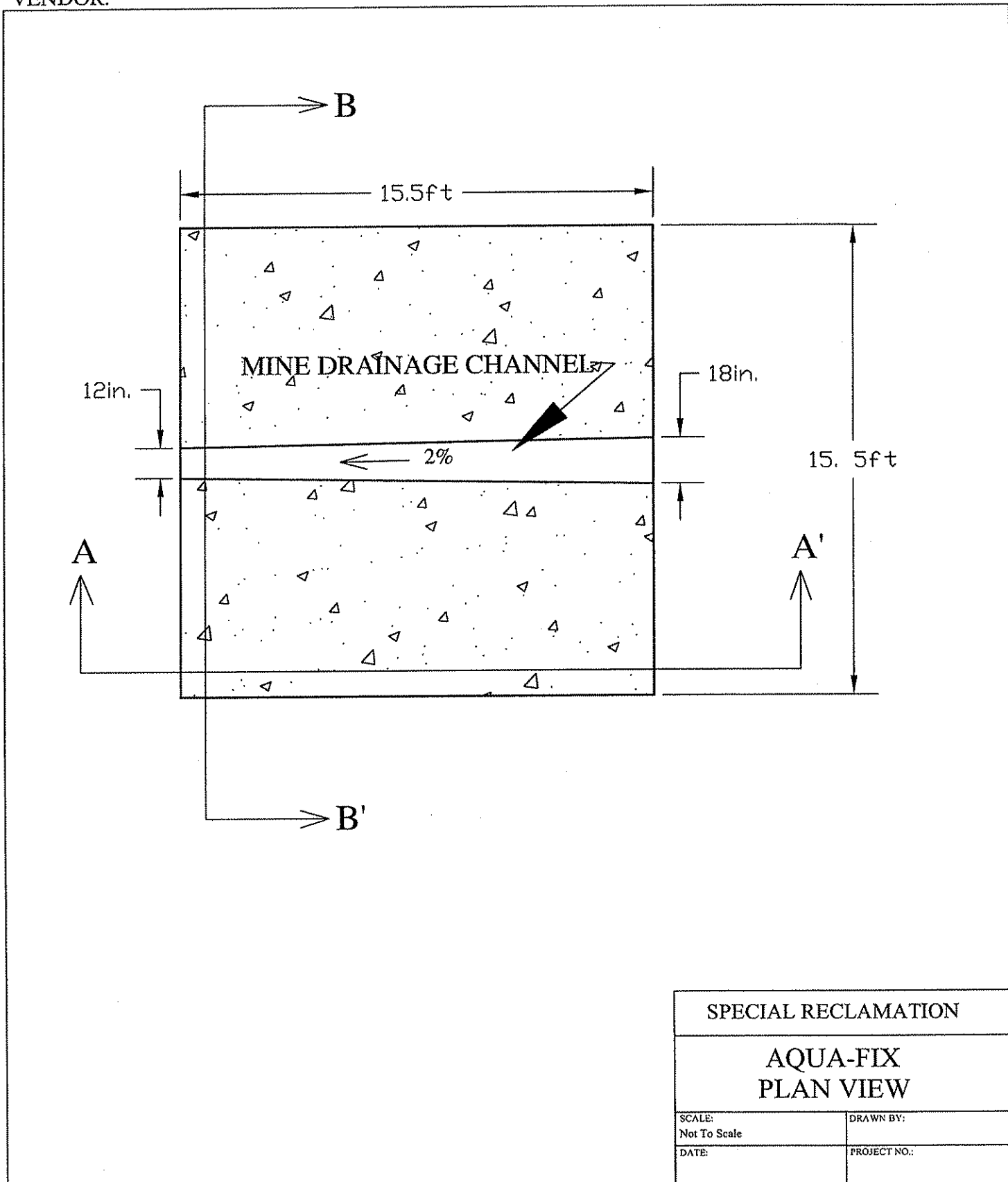


SPECIAL RECLAMATION	
AQUAFIX SIDE VIEW	
SCALE: Not To Scale	DRAWN BY:
DATE:	PROJECT NO.:

BUYER CB-23	PAGE 61	REQ. or P.O. No. DEP14253
SPENDING UNIT WEST VIRGINIA DEPARTMENT OF ENVIRONMENTAL PROTECTION/ SPECIAL RECLAMATION		

WV-36
REV. 1/29/02
VENDOR:

STATE OF WEST VIRGINIA
PURCHASING CONTINUATION SHEET



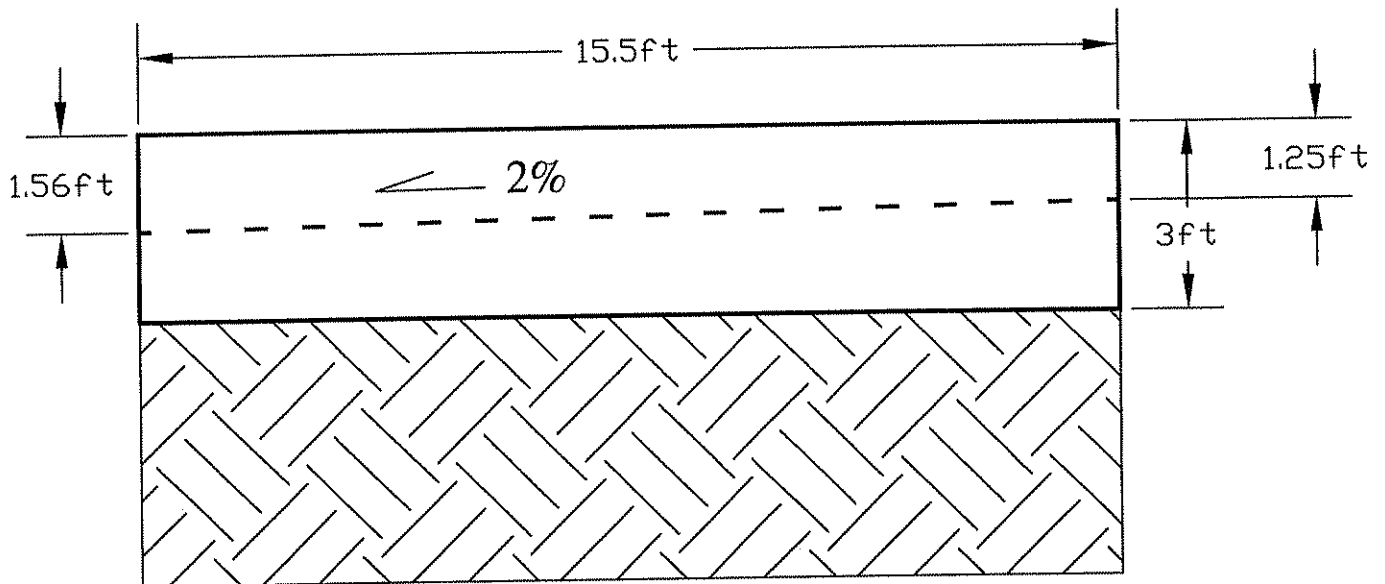
SPECIAL RECLAMATION	
AQUA-FIX PLAN VIEW	
SCALE: Not To Scale	DRAWN BY:
DATE:	PROJECT NO.:

BUYER CB-23	PAGE 6	REQ. or P.O. No. DEP14253
SPENDING UNIT WEST VIRGINIA DEPARTMENT OF ENVIRONMENTAL PROTECTION/ SPECIAL RECLAMATION		

WV-36
REV. 1/29/02
VENDOR:

STATE OF WEST VIRGINIA
PURCHASING CONTINUATION SHEET

DIRECTION OF WATER FLOW



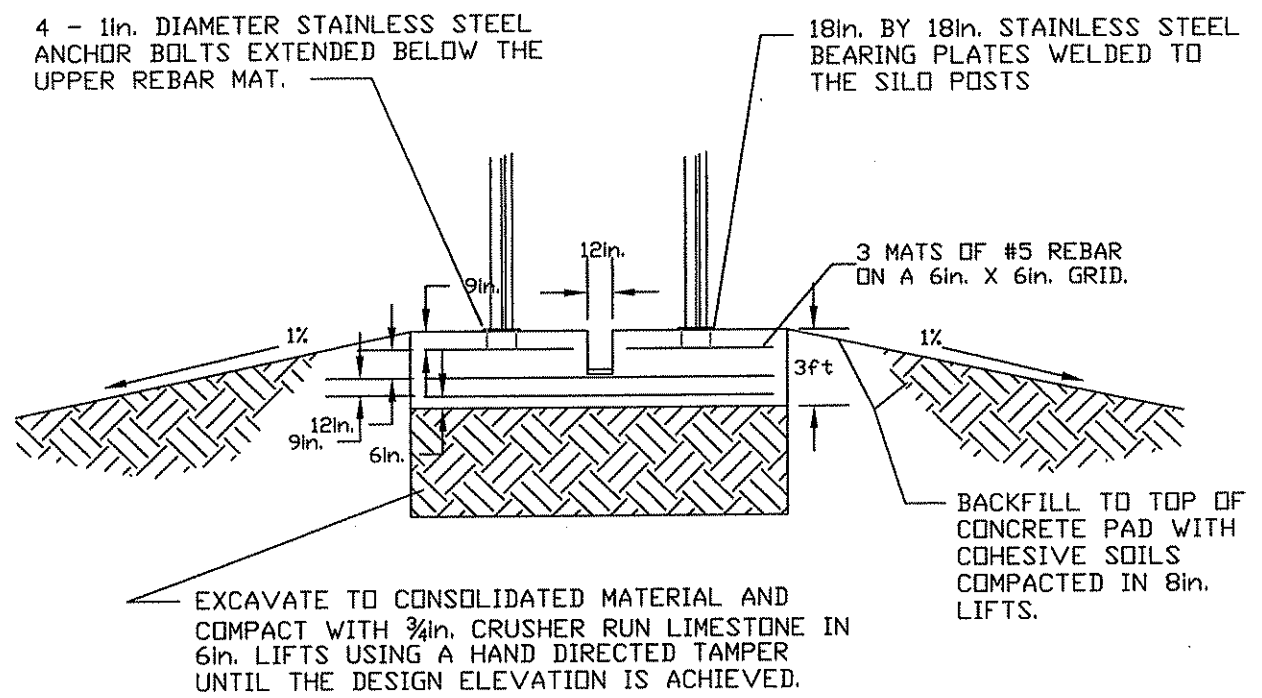
SPECIAL RECLAMATION

AQUA-FIX
CROSS SECTION A-A'

SCALE: Not To Scale	DRAWN BY:
DATE:	PROJECT NO.:

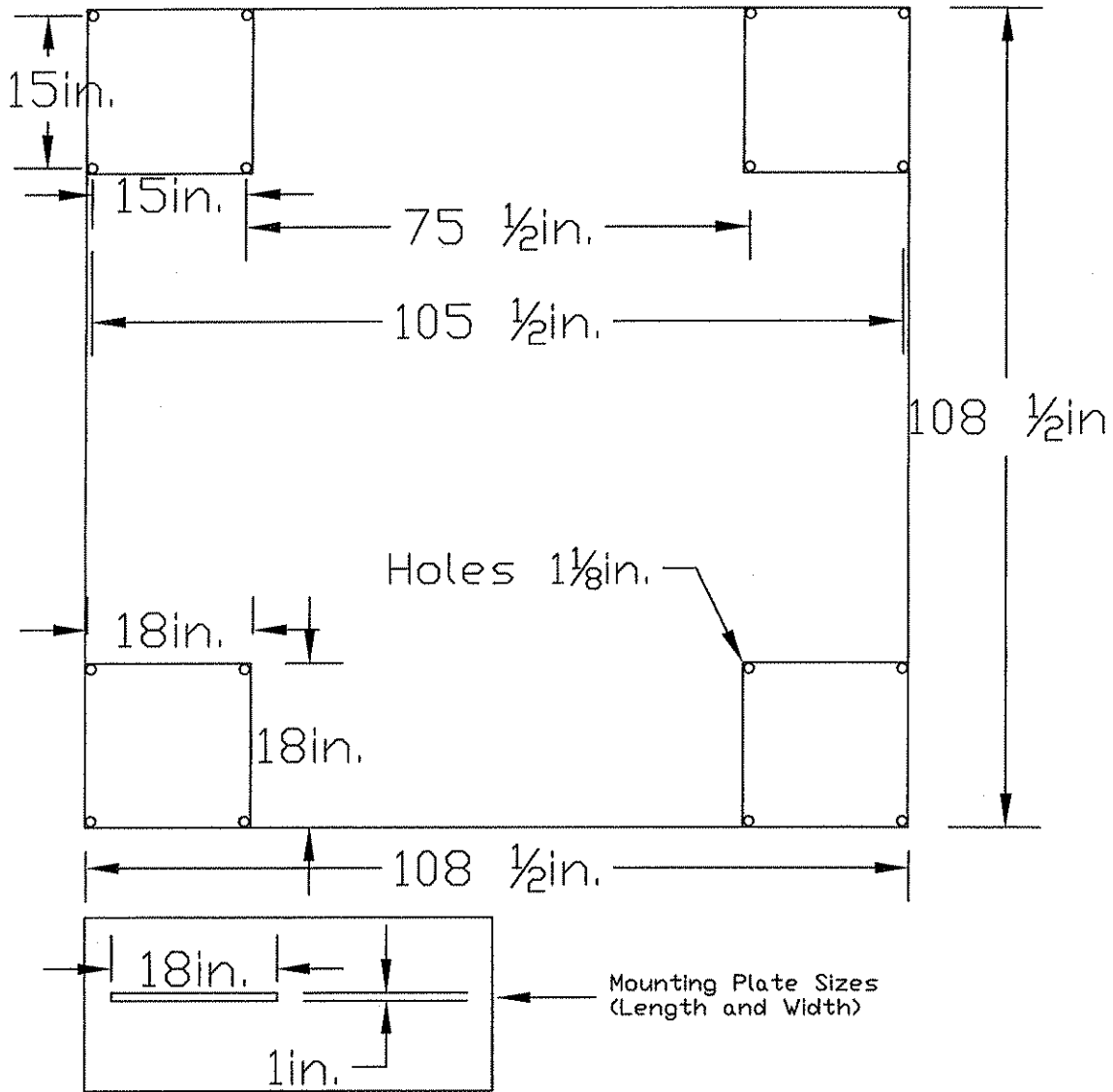
WV-36
REV. 1/29/02
VENDOR:

STATE OF WEST VIRGINIA
PURCHASING CONTINUATION SHEET



SPECIAL RECLAMATION	
AQUA-FIX CROSS SECTION B-B	
SCALE: Not To Scale	DRAWN BY:
DATE:	PROJECT NO.:

WV-36 STATE OF WEST VIRGINIA
 REV. 1/29/02 PURCHASING CONTINUATION SHEET
 VENDOR:



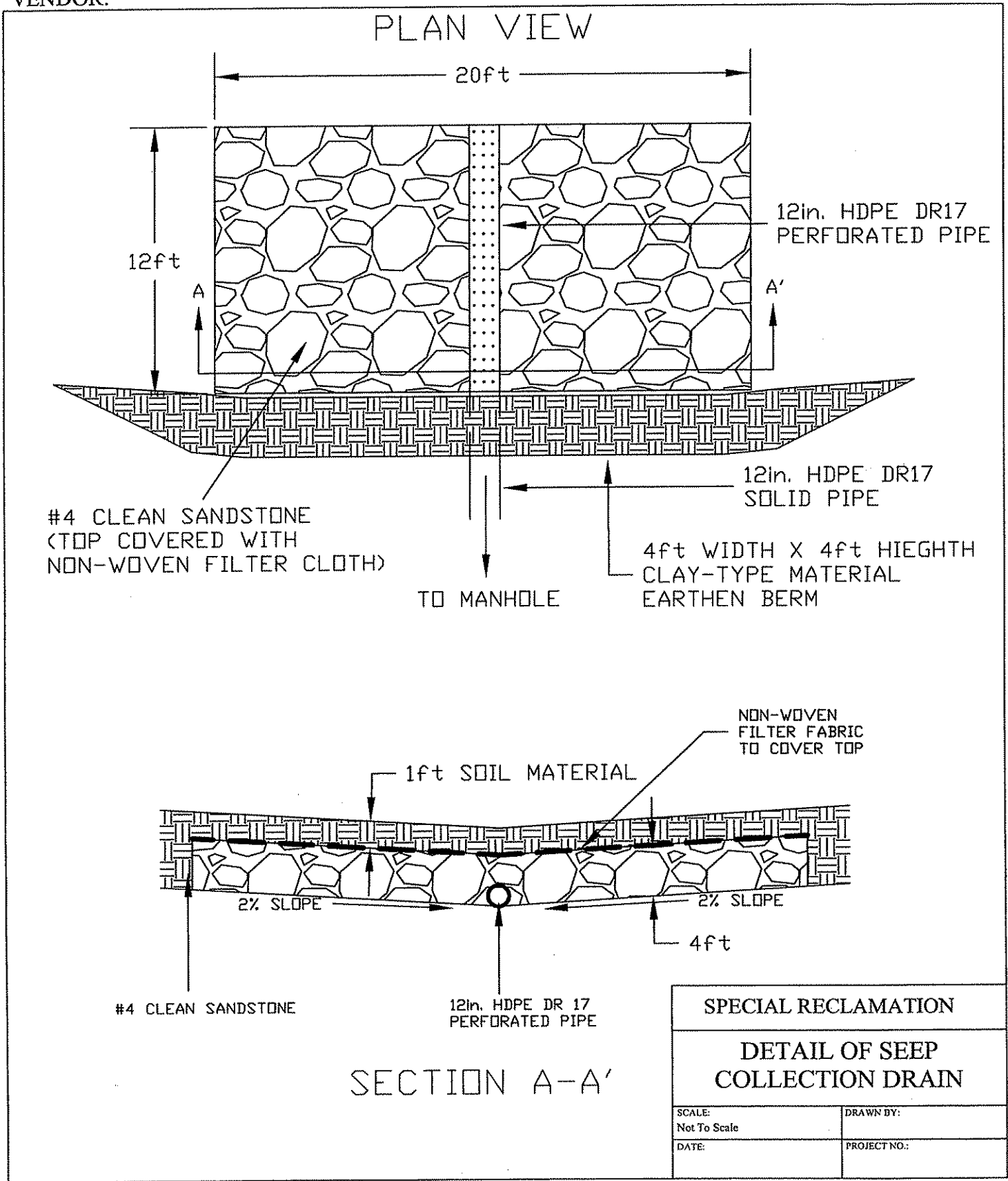
MOUNTING PLATE DETAILS

ANCHOR BOLTS ARE SPACED 15in. APART MEASURED FROM CENTER TO CENTER.
 STAINLESS STEEL PLATES ARE 18in. BY 18in. BY 1in. THICK
 HOLES ARE 1 1/8in. IN DIAMETER.
 ANCHOR BOLT SPACING TEMPLATE TO BE PROVIDED BY LIME SILO MANUFACTURER.

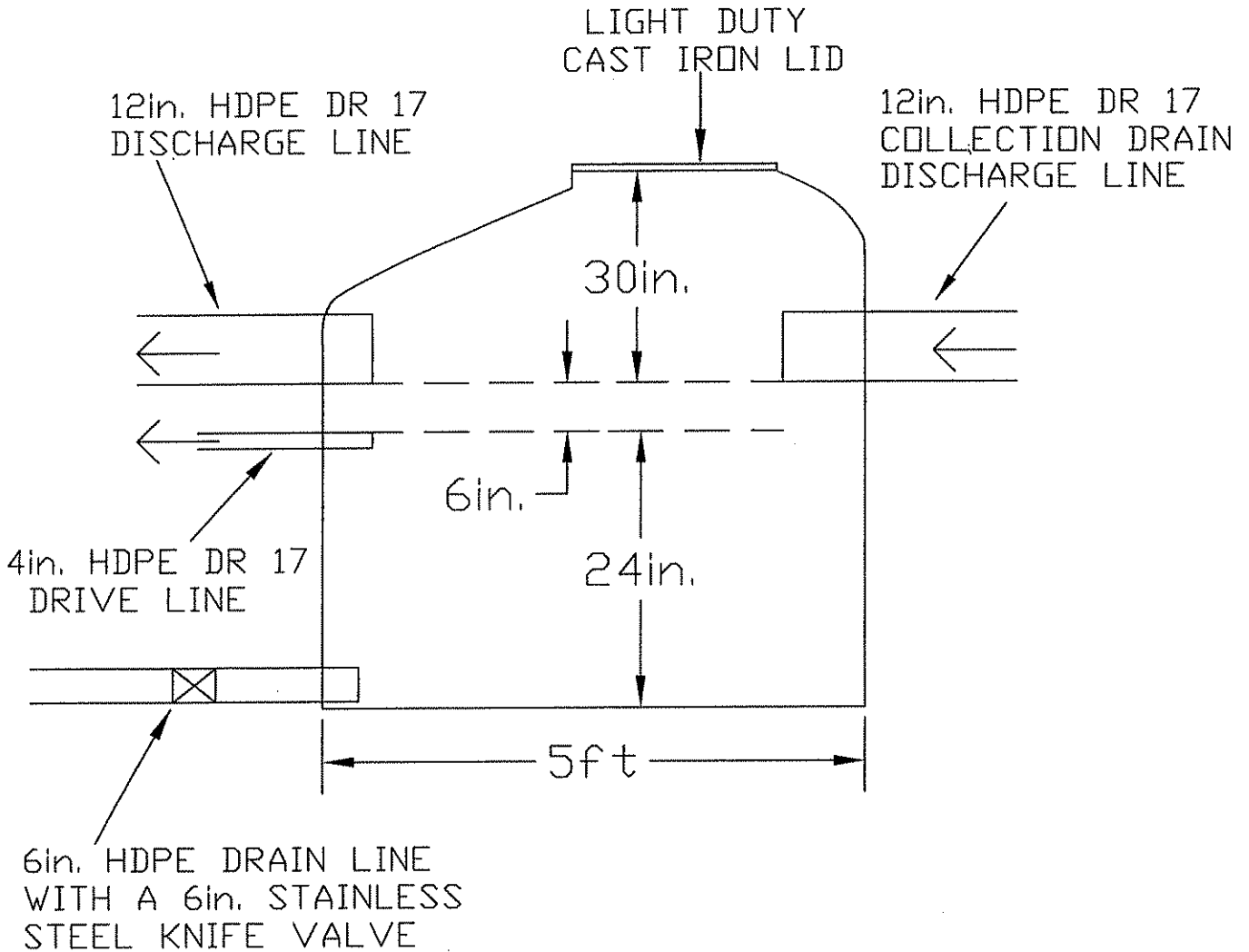
SPECIAL RECLAMATION	
AQUA-FIX MOUNTING PLATE	
SCALE: Not To Scale	DRAWN BY:
DATE:	PROJECT NO.:

WV-36
REV. 1/29/02
VENDOR:

STATE OF WEST VIRGINIA
PURCHASING CONTINUATION SHEET



WV-36 STATE OF WEST VIRGINIA
 REV. 1/29/02 PURCHASING CONTINUATION SHEET
 VENDOR:



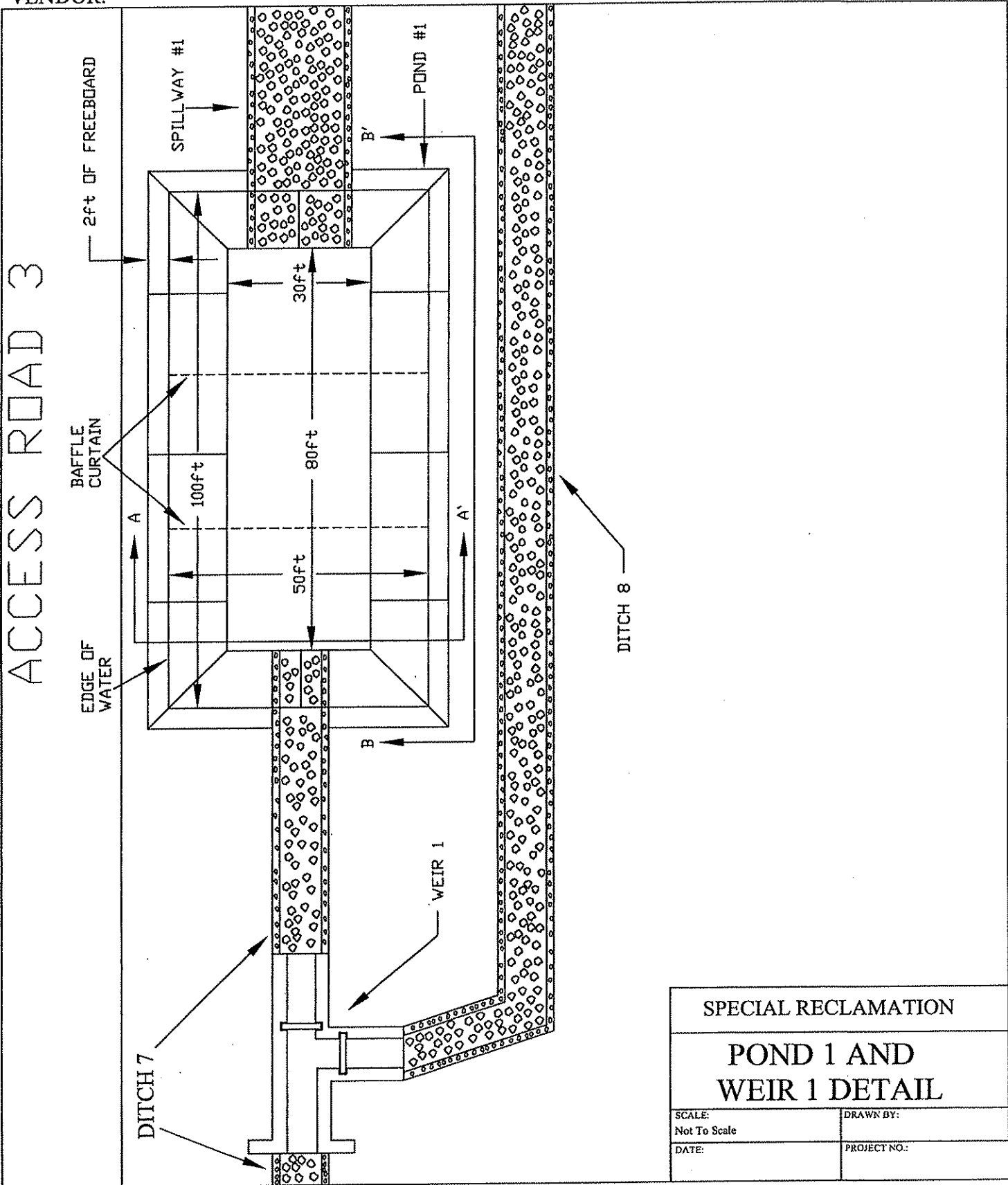
MANHOLE #1

Note: The Hydraulic Grout used on this project shall be Rutland Warter Stopper Hydraulic and Anchoring Cement (or equivalent). The specifications are as follows: Product is a dry cement mix which sets in three (3) to five (5) minutes after mixing with water. Base proprietary cement mixture. Color: Gray. Set time (77 degrees F): Approximately five (5) minutes. Ultimate compressive strength: (6,200 psi).

SPECIAL RECLAMATION	
X-SECTION OF CONCRETE MANHOLE	
SCALE: NOT TO SCALE	DRAWN BY:
DATE:	PROJECT NO.:

WV-36
REV. 1/29/02
VENDOR:

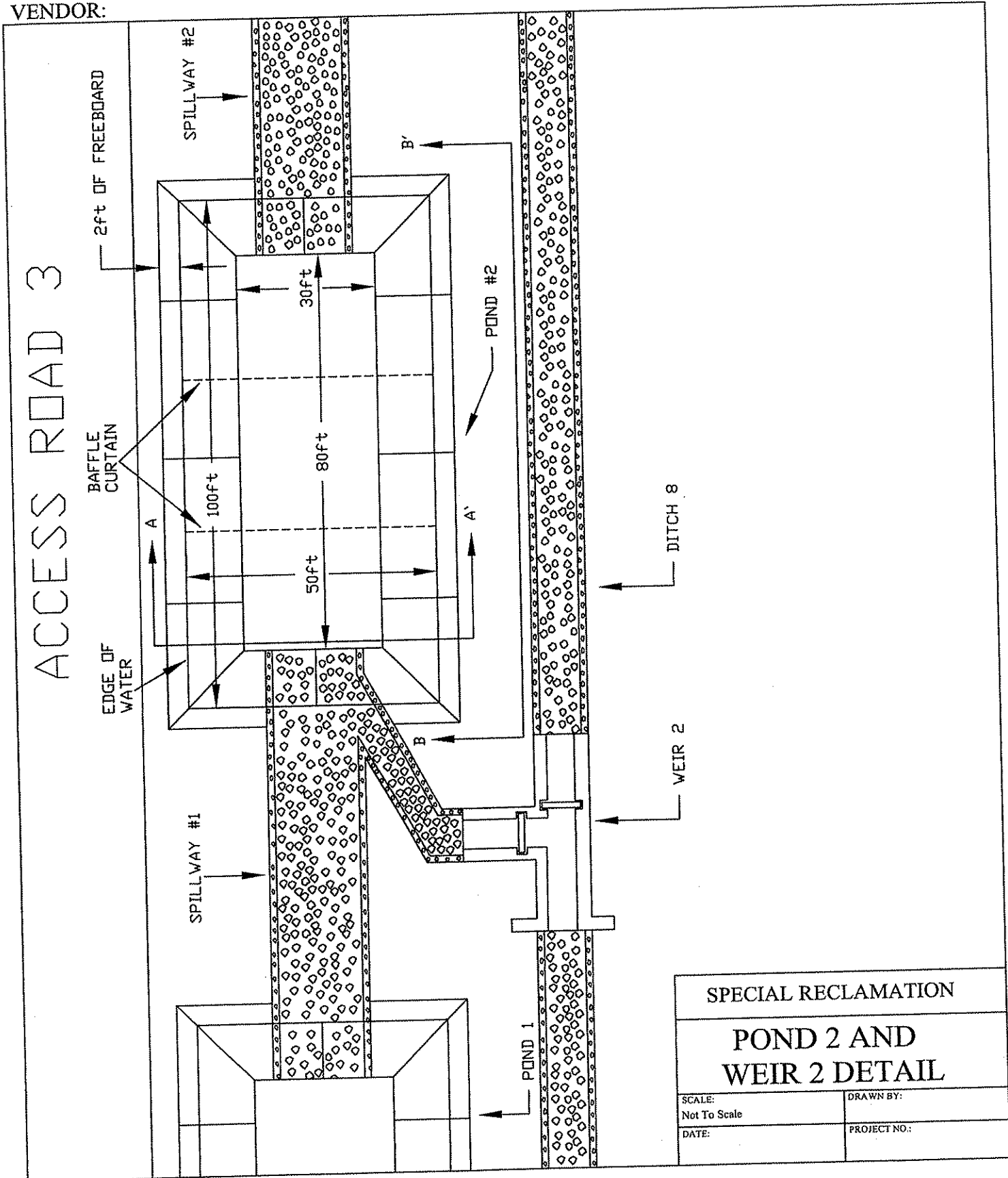
STATE OF WEST VIRGINIA
PURCHASING CONTINUATION SHEET



SPECIAL RECLAMATION	
POND 1 AND WEIR 1 DETAIL	
SCALE: Not To Scale	DRAWN BY:
DATE:	PROJECT NO.:

WV-36
REV. 1/29/02
VENDOR:

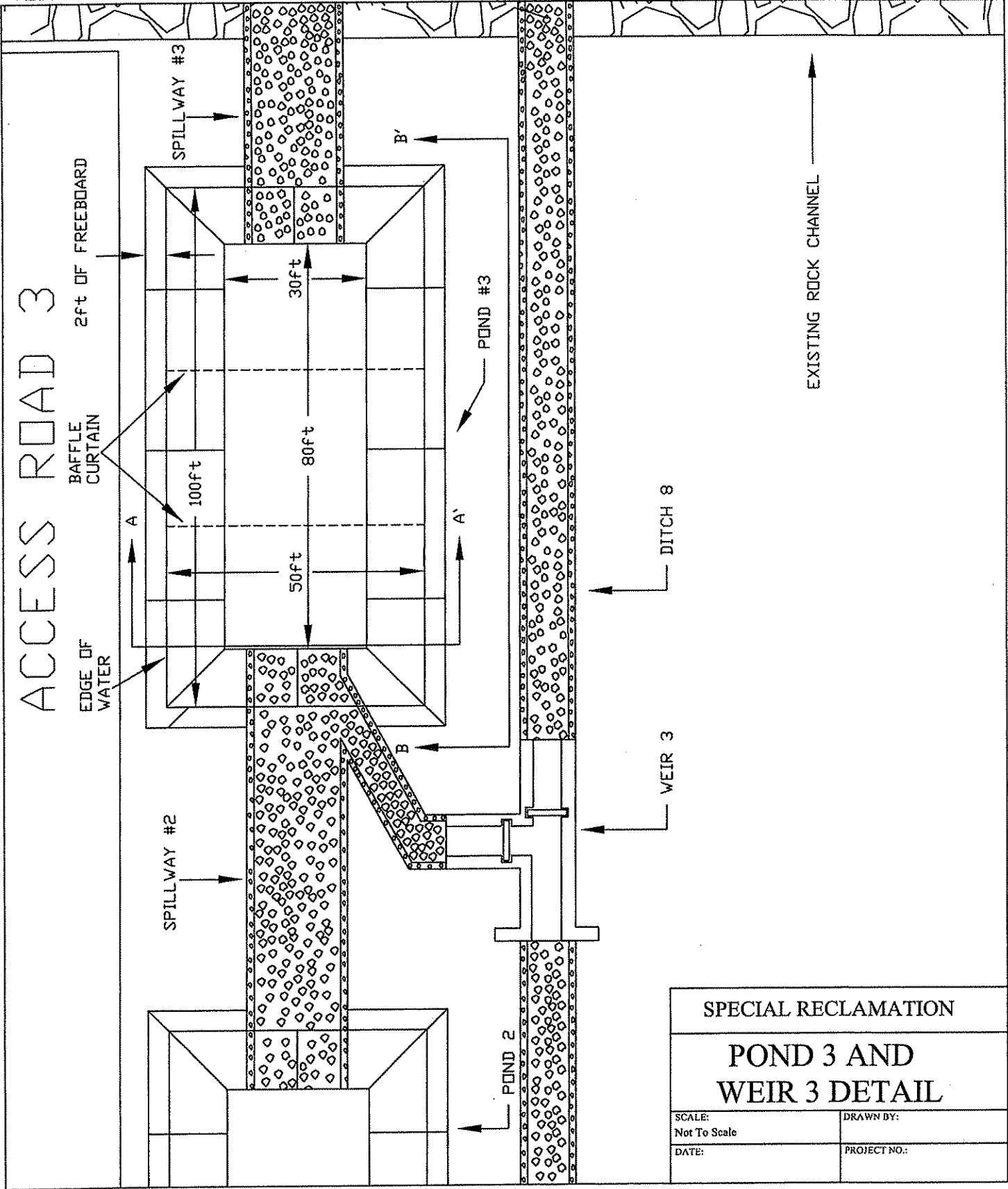
STATE OF WEST VIRGINIA
PURCHASING CONTINUATION SHEET



SPECIAL RECLAMATION	
POND 2 AND WEIR 2 DETAIL	
SCALE: Not To Scale	DRAWN BY:
DATE:	PROJECT NO.:

WV-36
REV. 1/29/02
VENDOR:

STATE OF WEST VIRGINIA
PURCHASING CONTINUATION SHEET

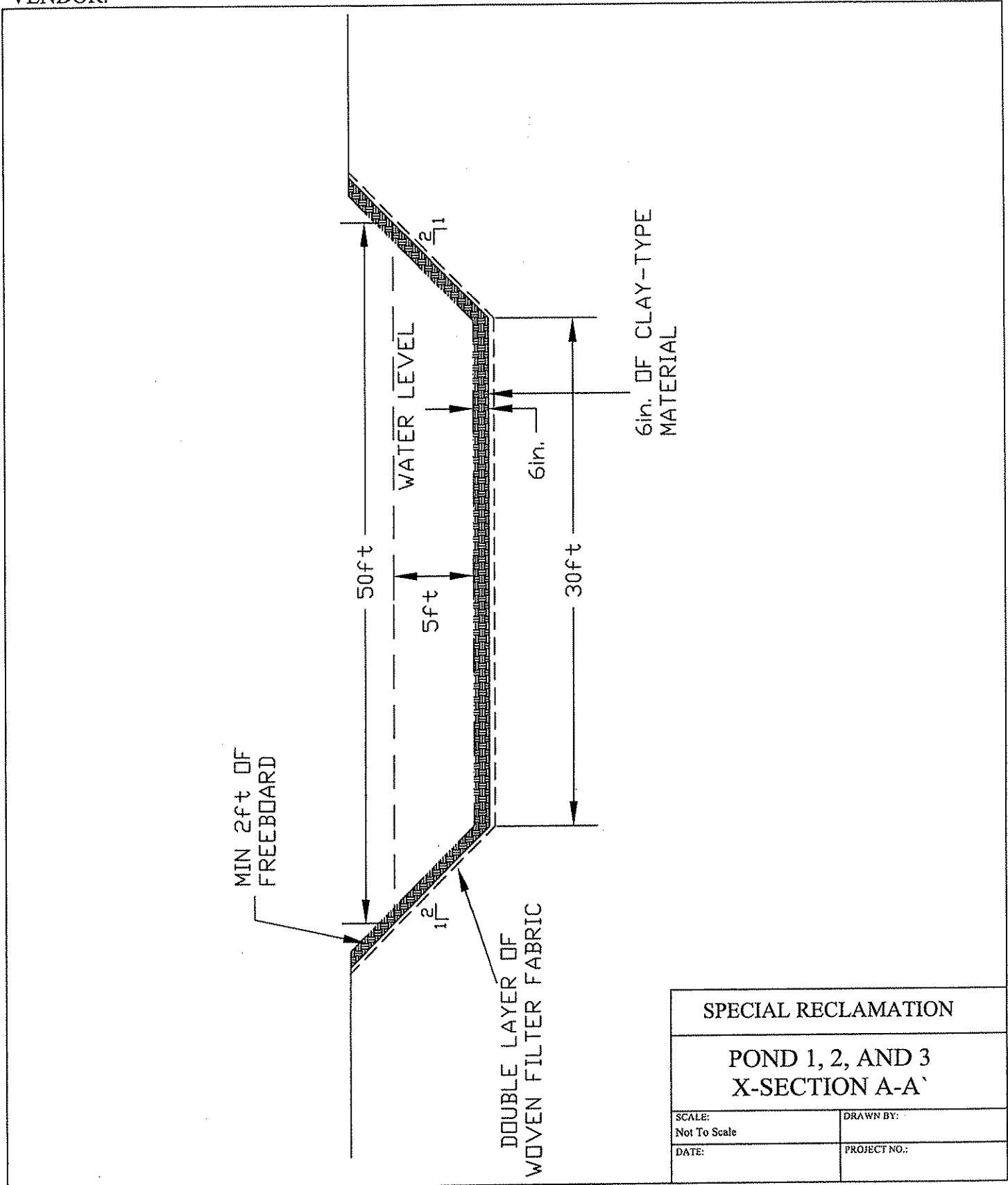


SPECIAL RECLAMATION	
POND 3 AND WEIR 3 DETAIL	
SCALE: Not To Scale	DRAWN BY:
DATE:	PROJECT NO.:

BUYER CB-23	PAGE 170	REQ. or P.O. No. DEP14253
SPENDING UNIT WEST VIRGINIA DEPARTMENT OF ENVIRONMENTAL PROTECTION/ SPECIAL RECLAMATION		

WV-36
REV. 1/29/02
VENDOR:

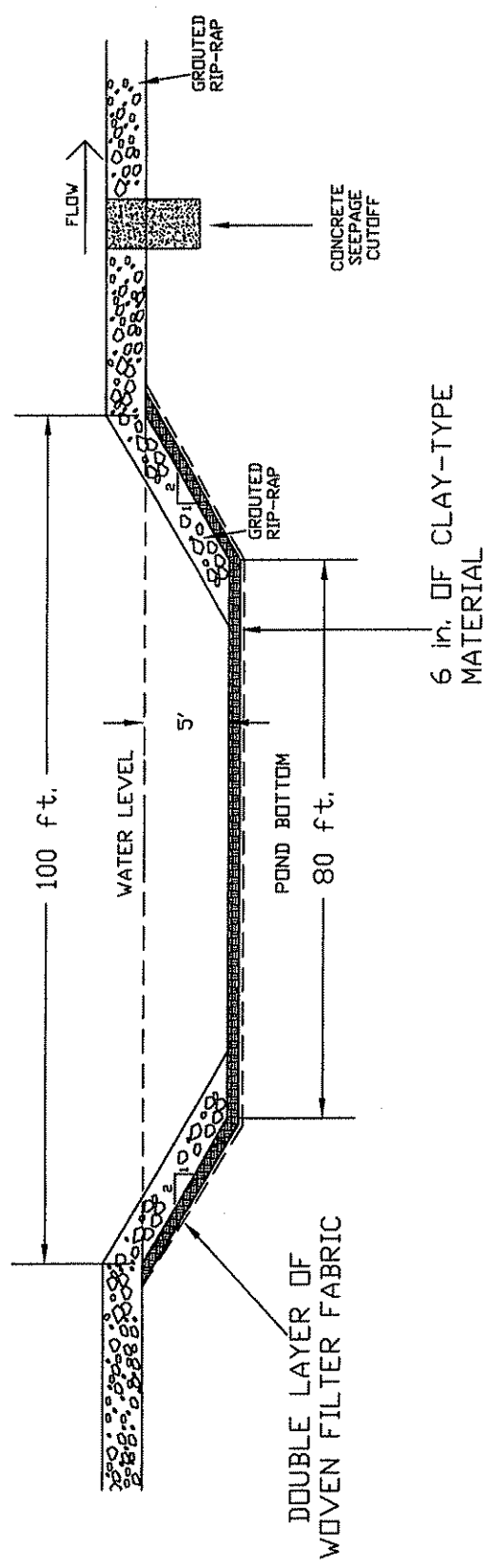
STATE OF WEST VIRGINIA
PURCHASING CONTINUATION SHEET



SPECIAL RECLAMATION	
POND 1, 2, AND 3 X-SECTION A-A'	
SCALE: Not To Scale	DRAWN BY:
DATE:	PROJECT NO.:

WV-36
 REV. 1/29/02
 VENDOR:

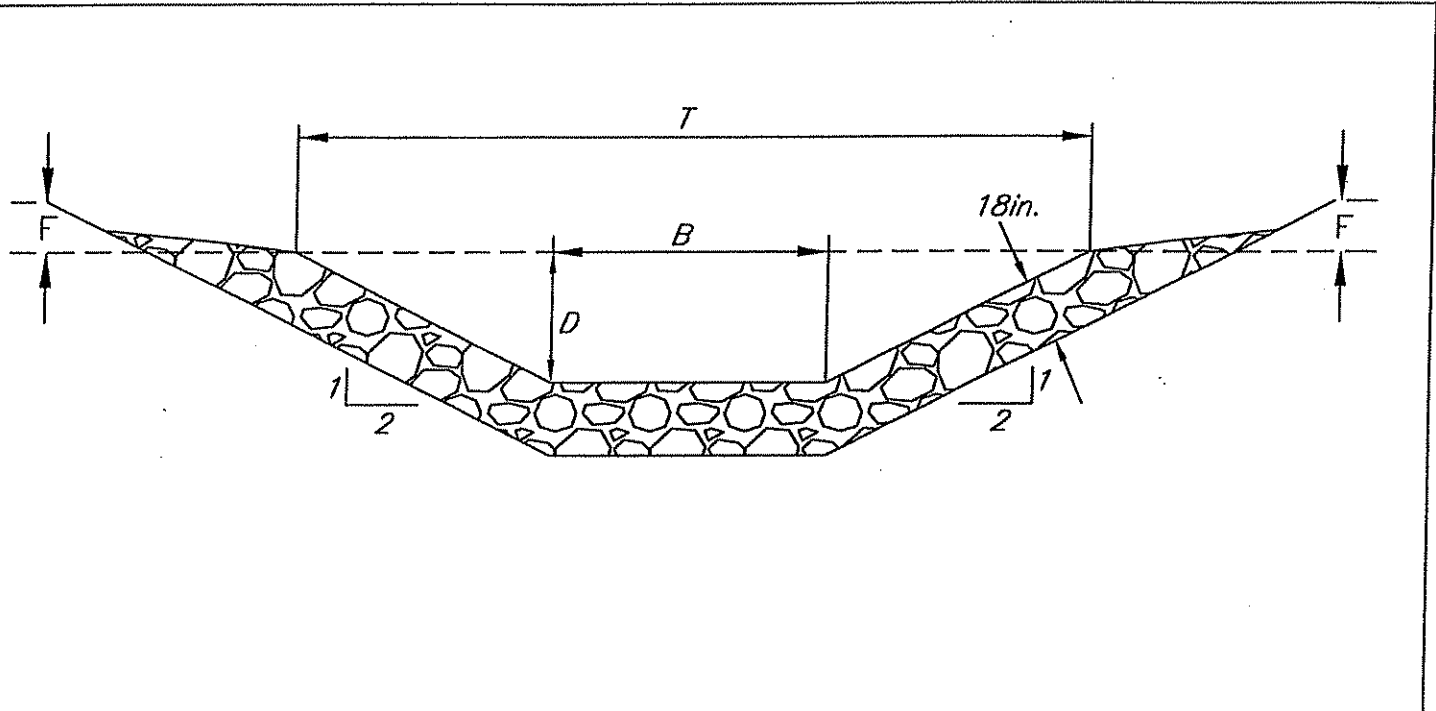
STATE OF WEST VIRGINIA
 PURCHASING CONTINUATION SHEET



SPECIAL RECLAMATION	
POND 1, 2, AND 3 X-SECTION B-B'	
SCALE: Not To Scale	DRAWN BY:
DATE:	PROJECT NO.:

WV-36
REV. 1/29/02
VENDOR:

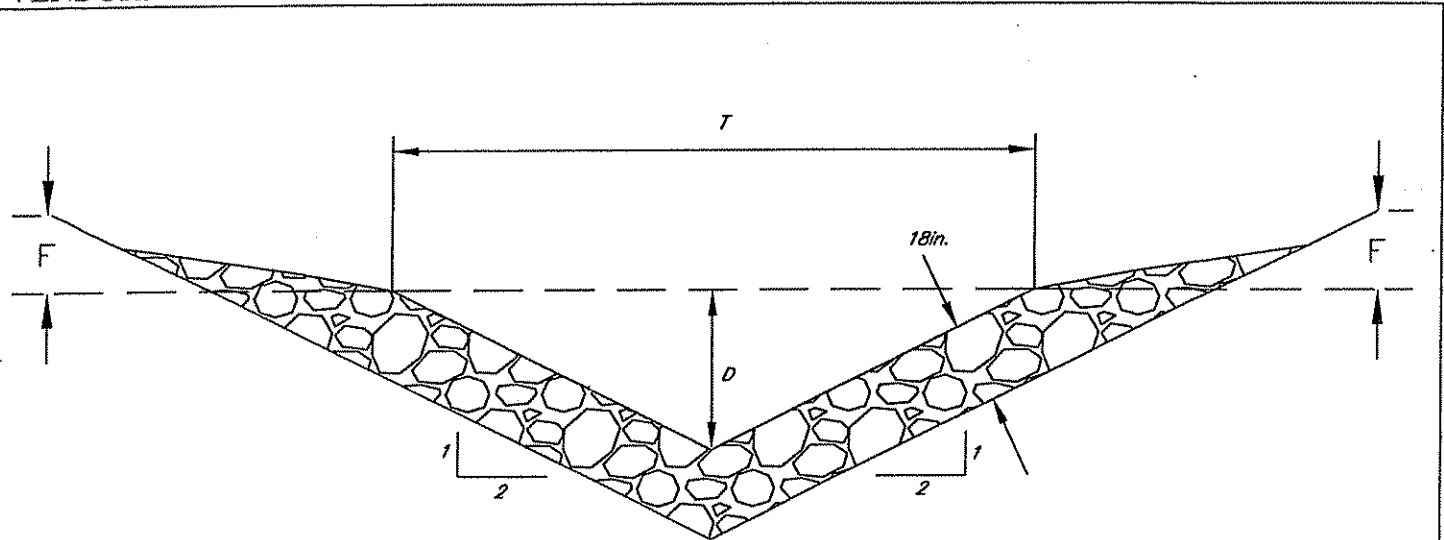
STATE OF WEST VIRGINIA
PURCHASING CONTINUATION SHEET



Ditch Number	Ditch Depth (Ft.)	Bottom Width (Ft.)	Top Width (Ft.)	Length (Ft.)	Freeboard Depth (Ft.)	Lining
	D	B	T		F	
3	1	4	8	25	1	Limestone
4	1	4	8	44	1	Limestone
5	1	4	8	44	1	Limestone
8	1	2.5	6.5	500	1	Limestone

SPECIAL RECLAMATION	
TYPICAL RIP-RAP TRAPEZOIDAL DITCH	
SCALE: Not To Scale	DRAWN BY:
DATE:	PROJECT NO.:

WV-36 STATE OF WEST VIRGINIA
 REV. 1/29/02 PURCHASING CONTINUATION SHEET
 VENDOR:

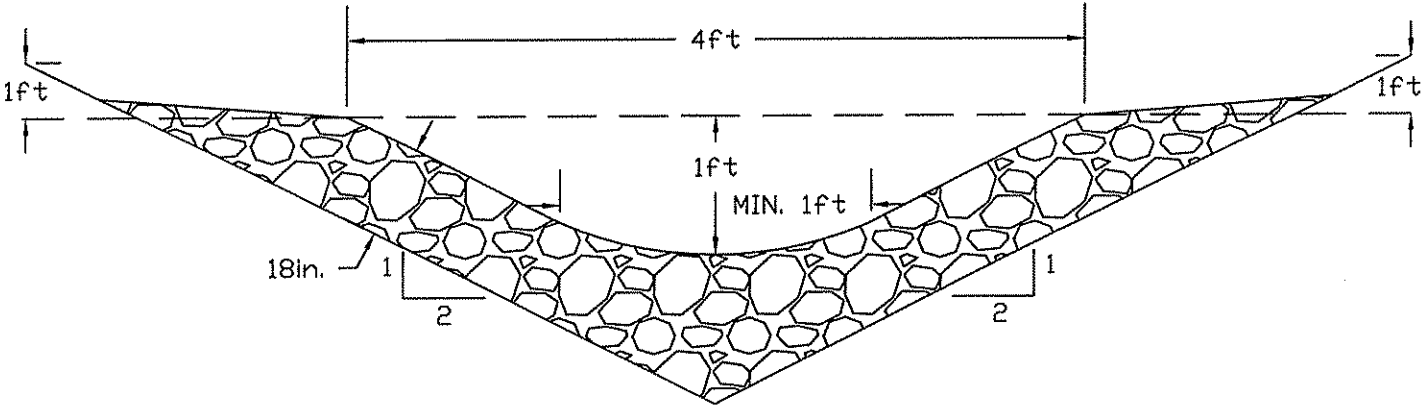


Ditch Number	Ditch Depth (Ft.)	Top Width (Ft.)	Length (Ft.)	Freeboard Depth (Ft.)	Lining
	D	T		F	
1	1	4	200	1	Limestone Rip-Rap
2	1	4	160	1	Limestone Rip-Rap
6	1	4	200	1	Limestone Rip-Rap
9	1	4	100	1	Limestone Rip-Rap
10	1	4	525	1	Limestone Rip-Rap

SPECIAL RECLAMATION	
RIP-RAP V-DITCH TYPICAL	
SCALE: Not To Scale	DRAWN BY:
DATE:	PROJECT NO.:

WV-36
REV. 1/29/02
VENDOR:

STATE OF WEST VIRGINIA
PURCHASING CONTINUATION SHEET

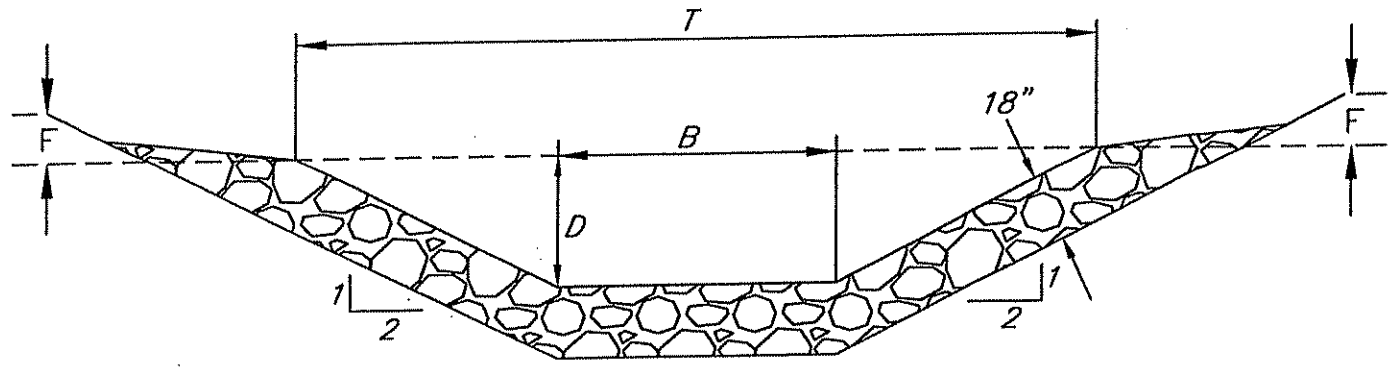


TYPICAL V-DITCH
GROUTED RIP-RAP CHANNEL
WITH PARABOLIC BOTTOM

SPECIAL RECLAMATION	
DITCH #7 DETAIL	
SCALE: Not To Scale	DRAWN BY:
DATE:	PROJECT NO.:

WV-36
REV. 1/29/02
VENDOR:

STATE OF WEST VIRGINIA
PURCHASING CONTINUATION SHEET



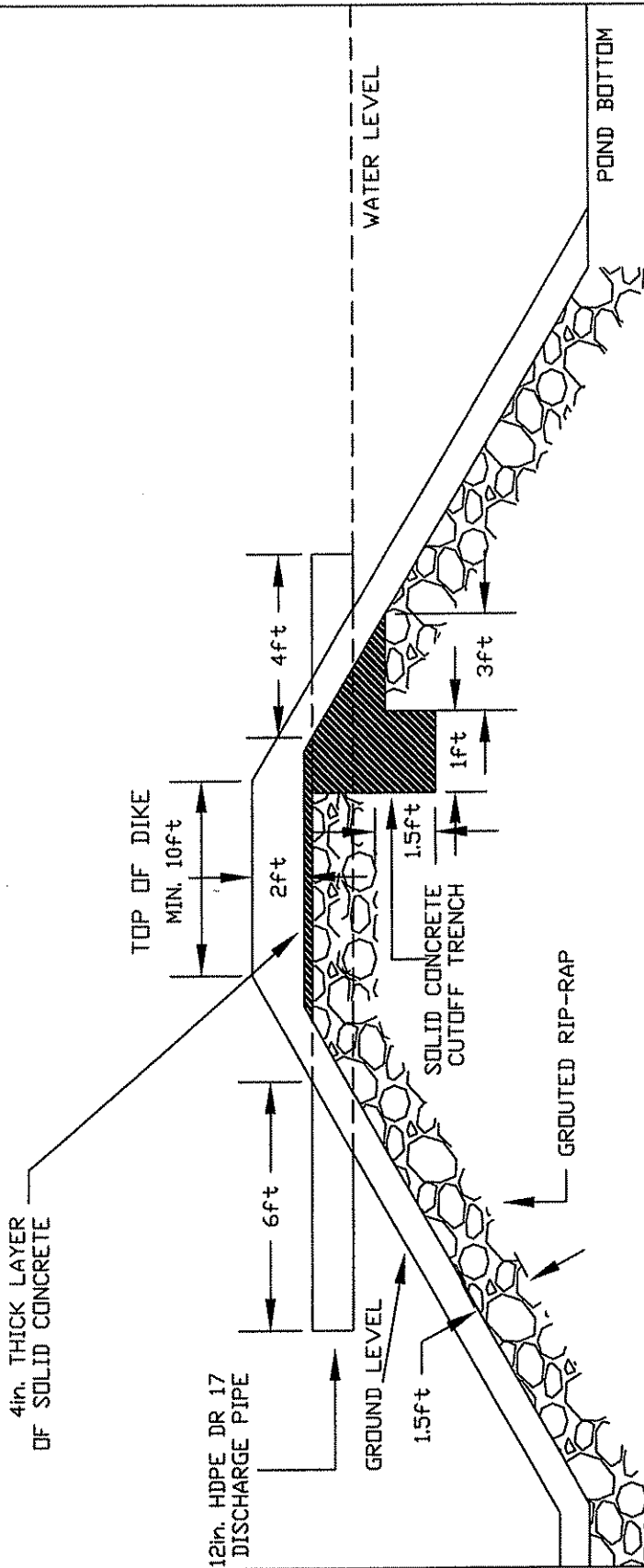
Spillway/Channel Number	Ditch Depth (Ft.)	Bottom Width (Ft.)	Length (Ft.)	Freeboard Depth (Ft.)	Lining
	D	B		F	
Spillway 1	1	4	44	1	Grouted Limestone Rip-Rap
Spillway 2	1	4	44	1	Grouted Limestone Rip-Rap
Spillway 3	1	4	44	1	Grouted Limestone Rip-Rap
Existing Pond Entrance Channel	3	12	40	1	Grouted Limestone Rip-Rap
Existing Pond Spillway 4	3	12	75	1	Grouted Limestone Rip-Rap

SPECIAL RECLAMATION	
GROUTED RIP-RAP SPILLWAYS AND ENTRANCE CHANNELS	
SCALE: Not To Scale	DRAWN BY:
DATE:	PROJECT NO.:

WV-36
REV. 1/29/02
VENDOR:

STATE OF WEST VIRGINIA
PURCHASING CONTINUATION SHEET

EXISTING POND

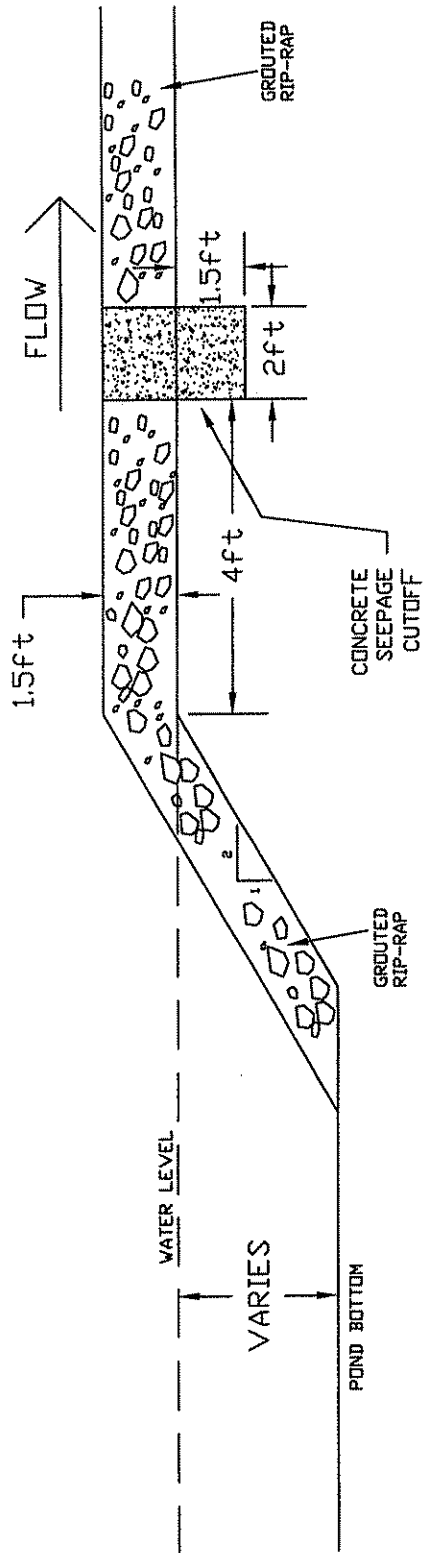


SPECIAL RECLAMATION	
EXISTING POND SPILLWAY	
SCALE: Not To Scale	DRAWN BY:
DATE:	PROJECT NO.:

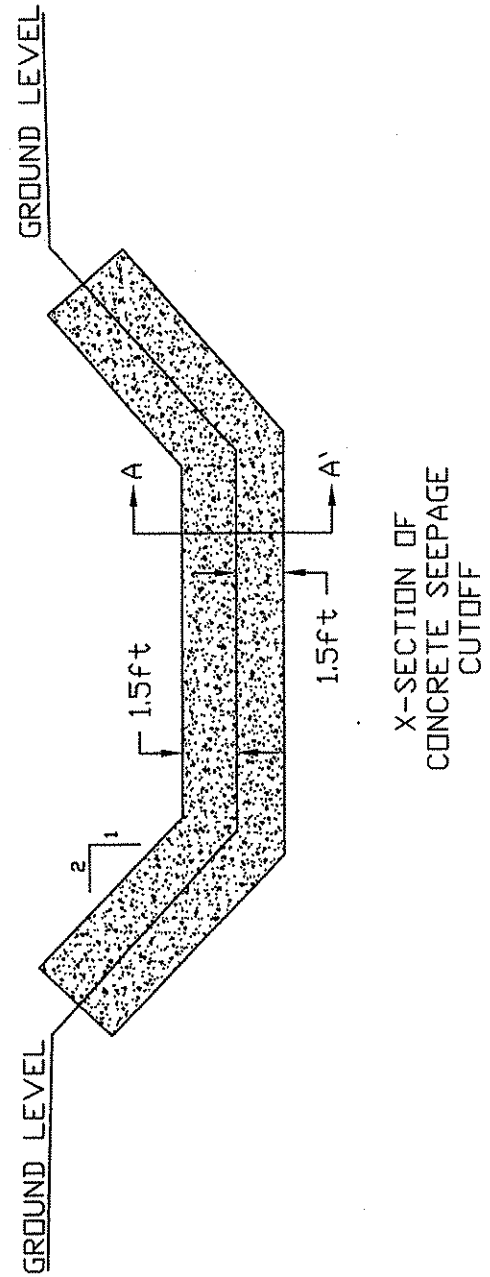
BUYER CB-23	PAGE 077	REQ. or P.O. No. DEP14253
SPENDING UNIT WEST VIRGINIA DEPARTMENT OF ENVIRONMENTAL PROTECTION/ SPECIAL RECLAMATION		

WV-36
REV. 1/29/02
VENDOR:

STATE OF WEST VIRGINIA
PURCHASING CONTINUATION SHEET



X-SECTION A-A'



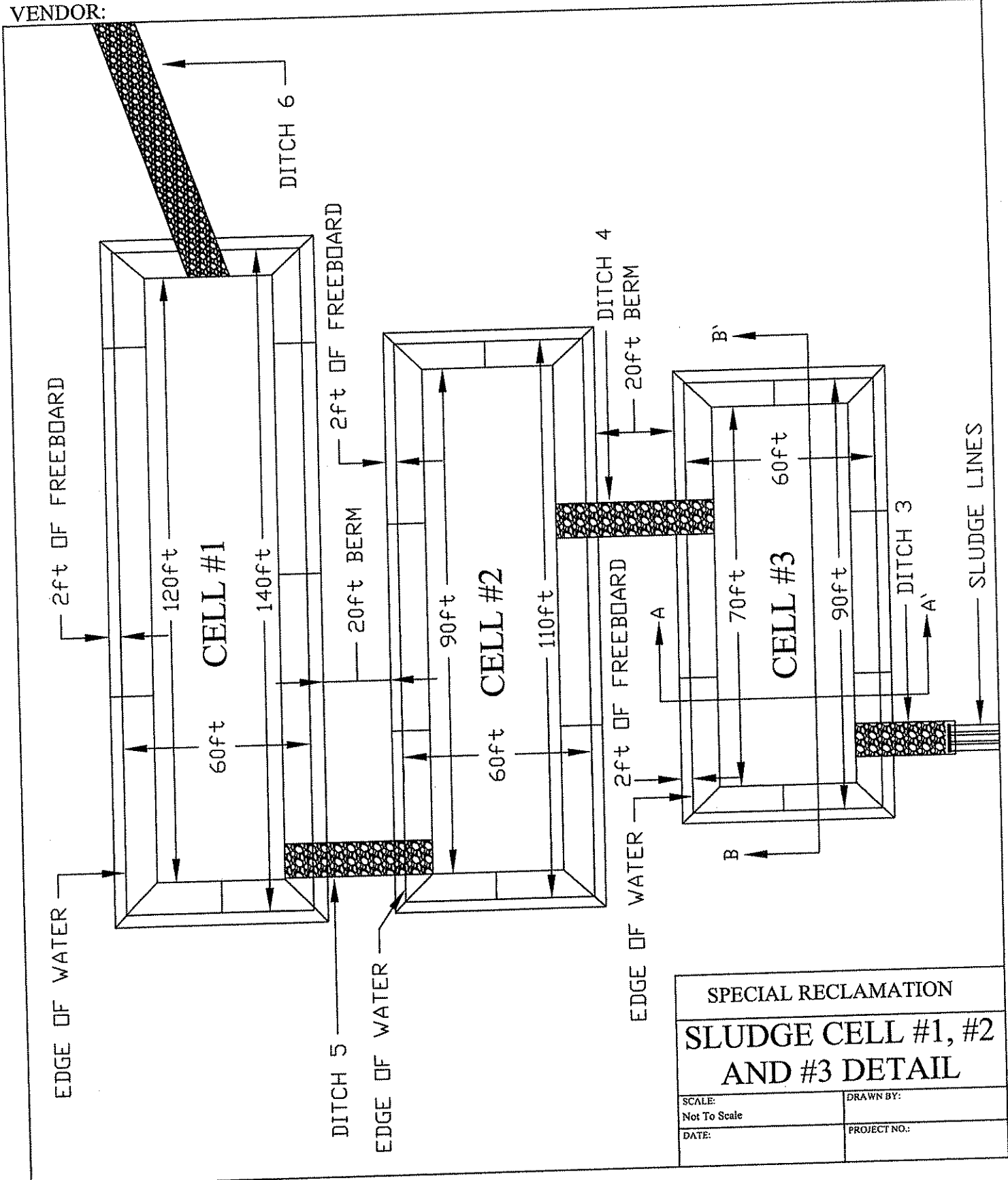
X-SECTION OF
CONCRETE SEEPAGE
CUTOFF

SPECIAL RECLAMATION	
POND 1, 2, AND 3 SPILLWAY CONCRETE SEEPAGE CUTOFF TYPICAL	
SCALE: Not To Scale	DRAWN BY:
DATE:	PROJECT NO.:

WV-36
 REV. 1/29/02
 VENDOR:

STATE OF WEST VIRGINIA
 PURCHASING CONTINUATION SHEET

BUYER CB-23	PAGE 078	REQ. or P.O. No. DEP14253
SPENDING UNIT WEST VIRGINIA DEPARTMENT OF ENVIRONMENTAL PROTECTION/ SPECIAL RECLAMATION		

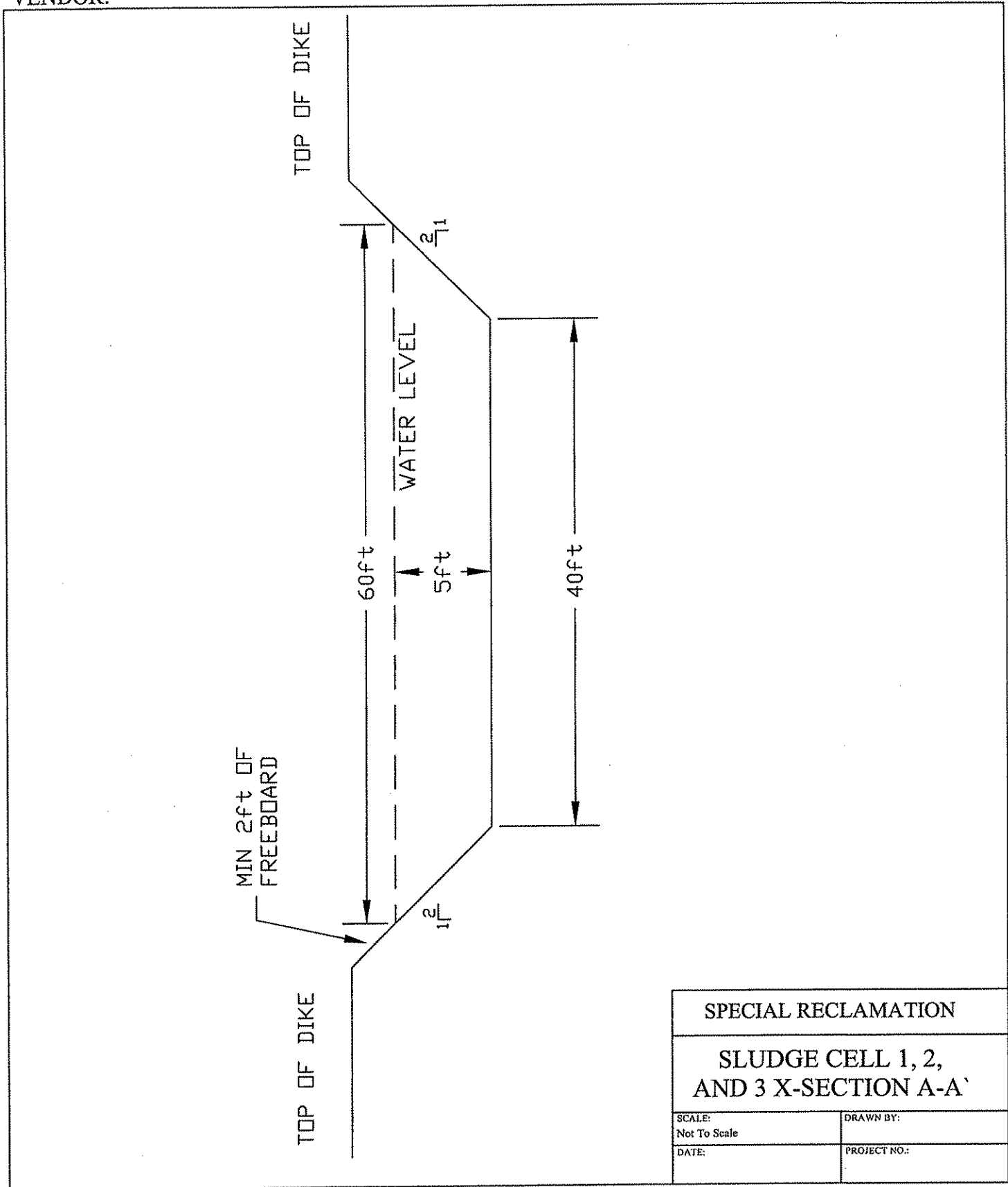


SPECIAL RECLAMATION	
SLUDGE CELL #1, #2 AND #3 DETAIL	
SCALE: Not To Scale	DRAWN BY:
DATE:	PROJECT NO.:

BUYER CB-23	PAGE 075	REQ. or P.O. No. DEP14253
SPENDING UNIT WEST VIRGINIA DEPARTMENT OF ENVIRONMENTAL PROTECTION/ SPECIAL RECLAMATION		

WV-36
REV. 1/29/02
VENDOR:

STATE OF WEST VIRGINIA
PURCHASING CONTINUATION SHEET

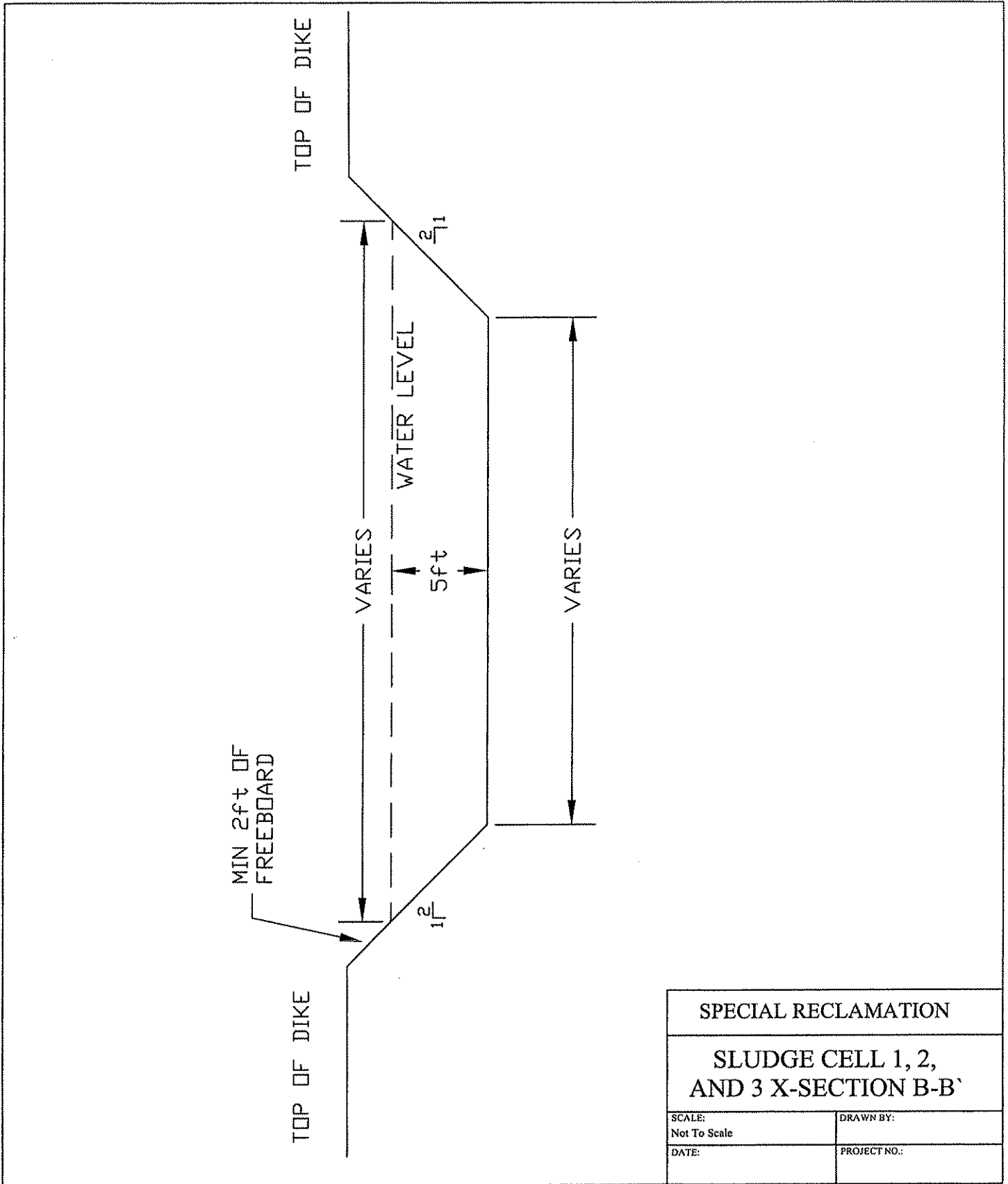


SPECIAL RECLAMATION	
SLUDGE CELL 1, 2, AND 3 X-SECTION A-A'	
SCALE: Not To Scale	DRAWN BY:
DATE:	PROJECT NO.:

BUYER CB-23	PAGE 080	REQ. or P.O. No. DEP14253
SPENDING UNIT WEST VIRGINIA DEPARTMENT OF ENVIRONMENTAL PROTECTION/ SPECIAL RECLAMATION		

WV-36
REV. 1/29/02
VENDOR:

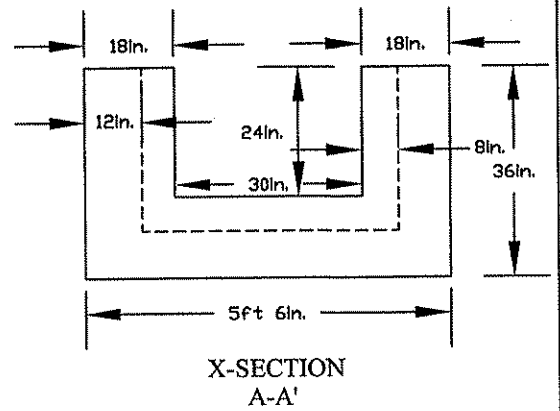
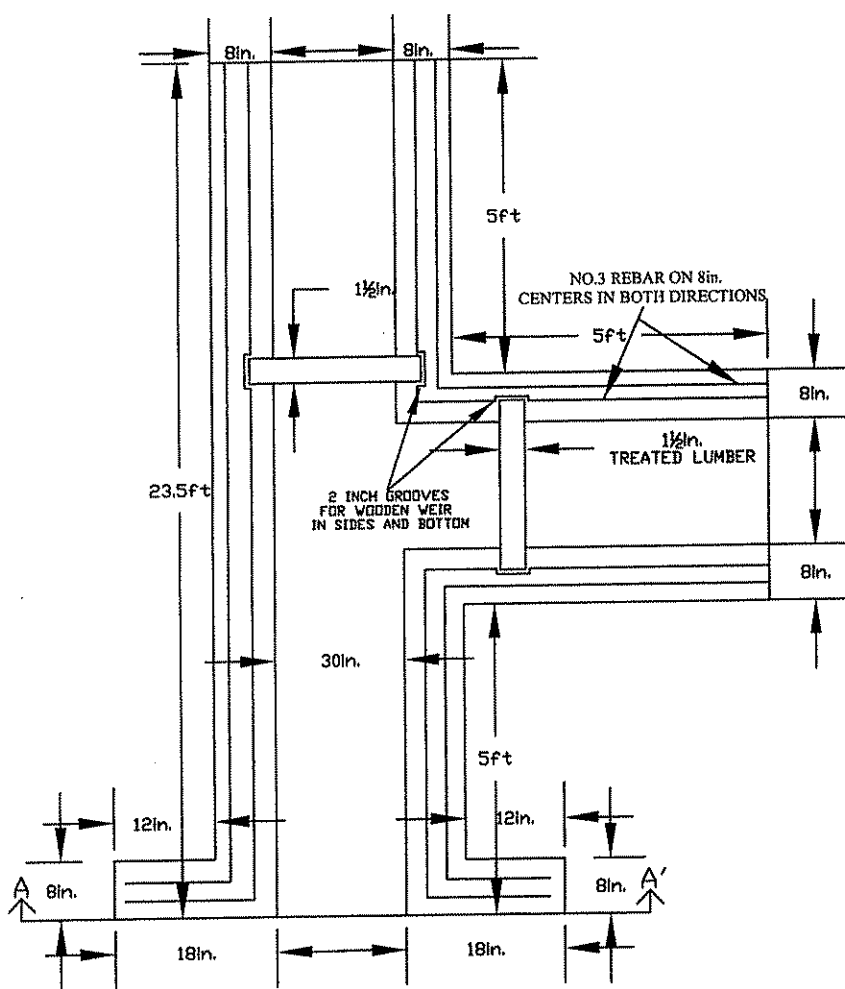
STATE OF WEST VIRGINIA
PURCHASING CONTINUATION SHEET



SPECIAL RECLAMATION	
SLUDGE CELL 1, 2, AND 3 X-SECTION B-B'	
SCALE: Not To Scale	DRAWN BY:
DATE:	PROJECT NO.:

WV-36
REV. 1/29/02
VENDOR:

STATE OF WEST VIRGINIA
PURCHASING CONTINUATION SHEET



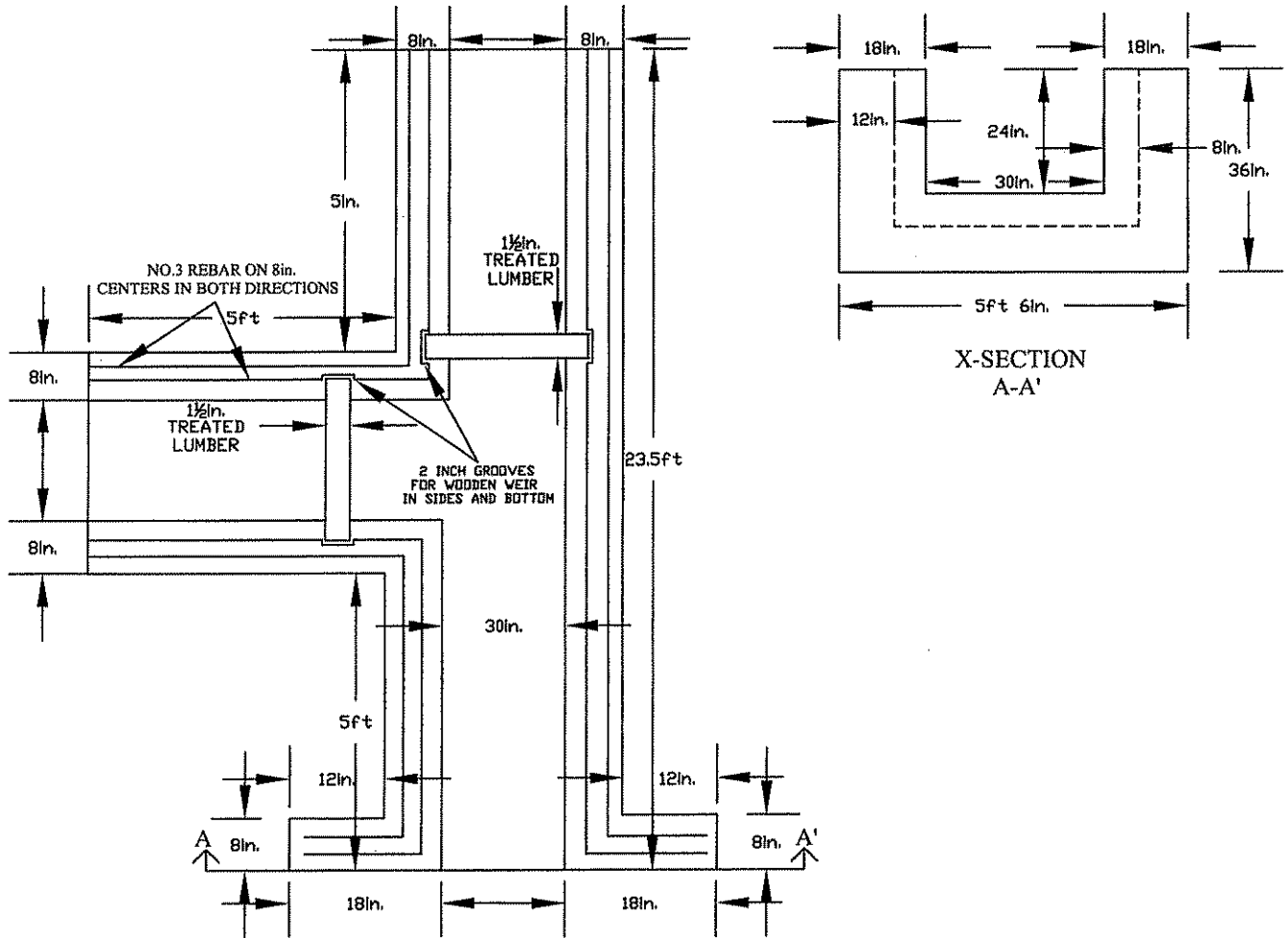
NOTE: ALL REBAR SHALL
HAVE A MINIMUM OF 2 INCHES
COVER FROM CONCRETE FACE

NOTE: CONCRETE WEIR SHALL
BE SET IN LEVEL TO ALLOW
EQUAL DISTRIBUTION OF
WATER FLOW.

WEIR #1

SPECIAL RECLAMATION	
CONCRETE DISCHARGE CHANNEL WEIR TYPICAL	
SCALE: Not To Scale	DRAWN BY:
DATE:	PROJECT NO.:

WV-36 STATE OF WEST VIRGINIA
 REV. 1/29/02 PURCHASING CONTINUATION SHEET
 VENDOR:



NOTE: ALL REBAR SHALL
 HAVE A MINIMUM OF 2 INCHES
 COVER FROM CONCRETE FACE

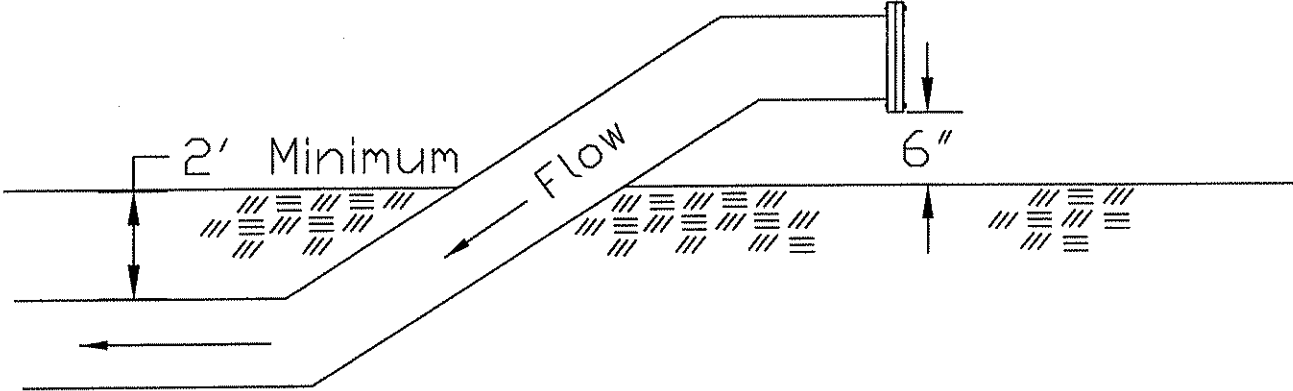
NOTE: CONCRETE WEIR SHALL
 BE SET IN LEVEL TO ALLOW
 EQUAL DISTRIBUTION OF
 WATER FLOW.

WEIRS #2 AND #3

SPECIAL RECLAMATION	
CONCRETE DISCHARGE CHANNEL WEIR TYPICAL	
SCALE: Not To Scale	DRAWN BY:
DATE:	PROJECT NO.:

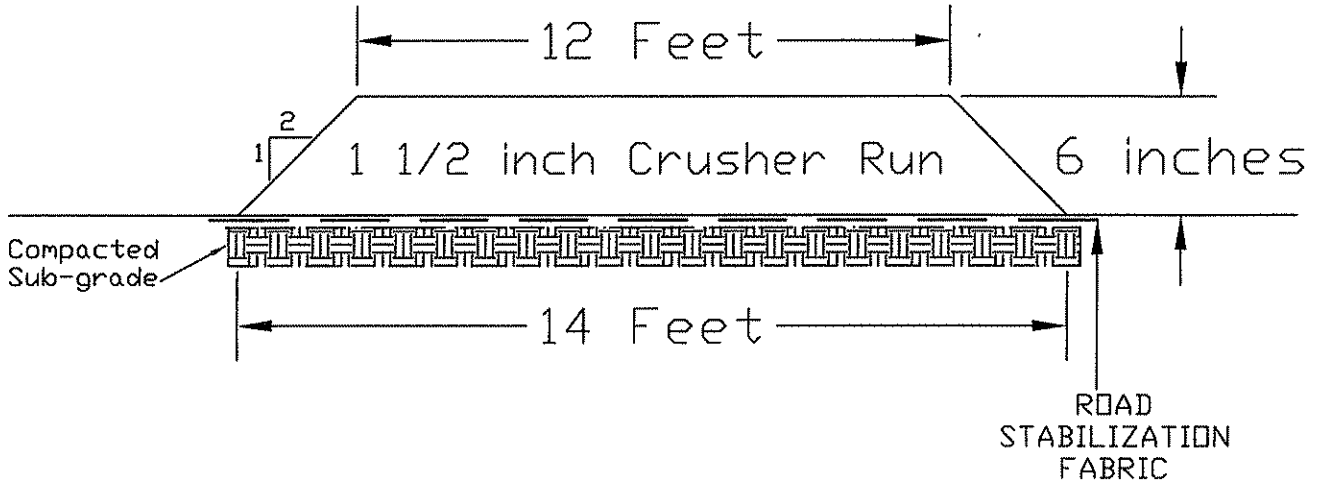
BUYER CB-23	PAGE 183	REQ. or P.O. No. DEP14253
SPENDING UNIT WEST VIRGINIA DEPARTMENT OF ENVIRONMENTAL PROTECTION/ SPECIAL RECLAMATION		

WV-36 STATE OF WEST VIRGINIA
 REV. 1/29/02 PURCHASING CONTINUATION SHEET
 VENDOR:



SPECIAL RECLAMATION	
6 INCH SLUDGE LINE TYPICAL	
SCALE: Not To Scale	DRAWN BY:
DATE:	PROJECT NO.:

WV-36 STATE OF WEST VIRGINIA
 REV. 1/29/02 PURCHASING CONTINUATION SHEET
 VENDOR:



Note:

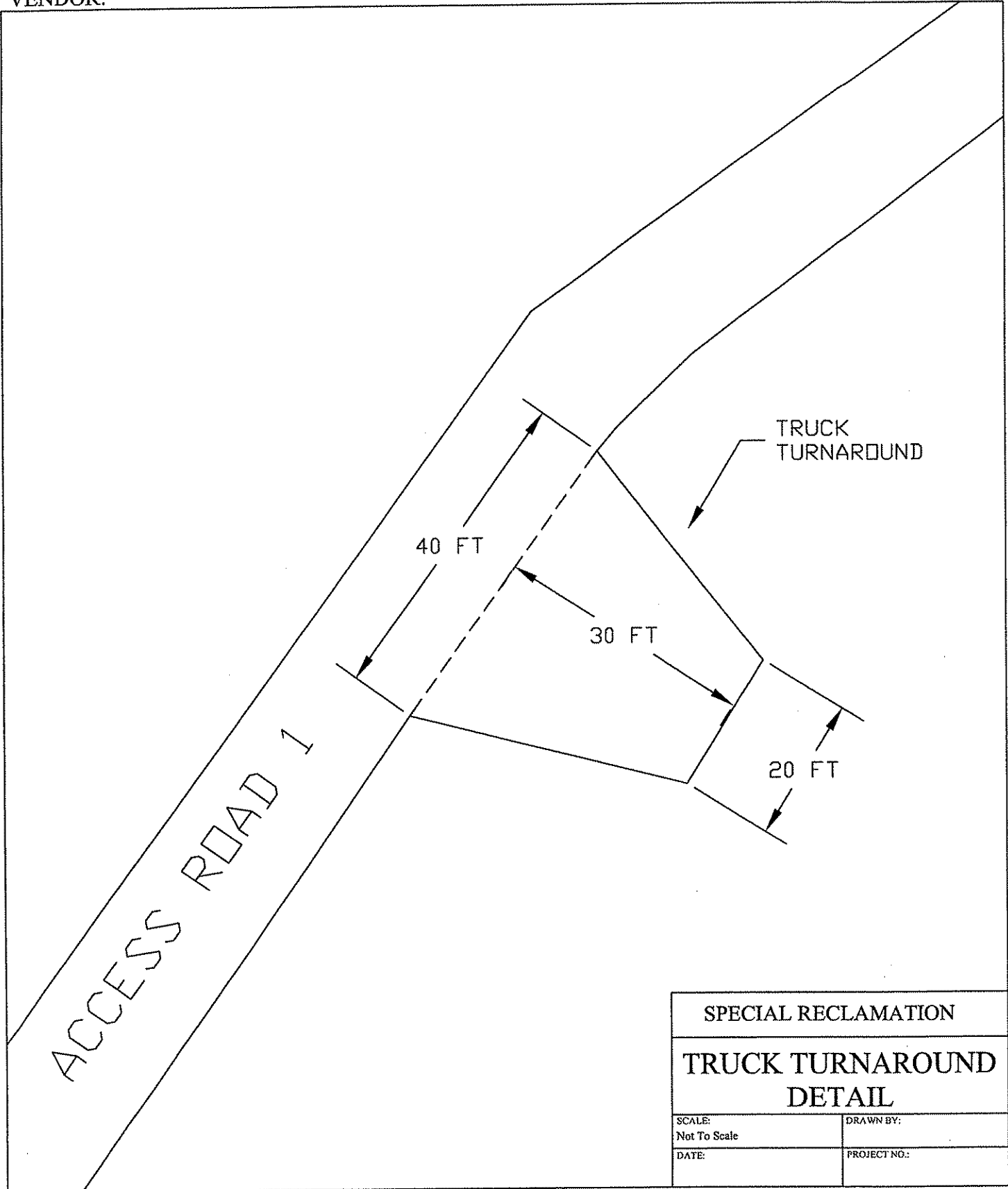
1. THE ROAD SURFACES INDICATED SHALL BE ONE AND A HALF (1½) CRUSHER RUN LIMESTONE SIX (6) INCHES DEEP.
2. THE ONE AND A HALF (1½) INCH CRUSHER RUN LIMESTONE GRADATION IS TO BE AN EVEN BLEND OF ALL PARTICLE SIZES.
3. ROAD RUNNING SURFACE WIDTH IS TO BE TWELVE (12) FEET.
4. THE SUBGRADE BASE AND THE ONE AND A HALF (1½) INCH CRUSHER RUN LIMESTONE ARE TO BE COMPACTED TO NINETY-FIVE PERCENT (95%) STANDARD PROCTOR WITH A SMOOTH DRUM VIBRATORY ROLLER
5. THE ROAD STABILIZATION FABRIC IS TO BE OF THE WOVEN TYPE.

SPECIAL RECLAMATION	
ACCESS ROAD 1, 2, AND 3, CONSTRUCTION 12 FOOT RUNNING WIDTH	
SCALE: Not To Scale	DRAWN BY:
DATE:	PROJECT NO.:

BUYER CB-23	PAGE 085	REQ. or P.O. No. DEP14253
SPENDING UNIT WEST VIRGINIA DEPARTMENT OF ENVIRONMENTAL PROTECTION/ SPECIAL RECLAMATION		

WV-36
REV. 1/29/02
VENDOR:

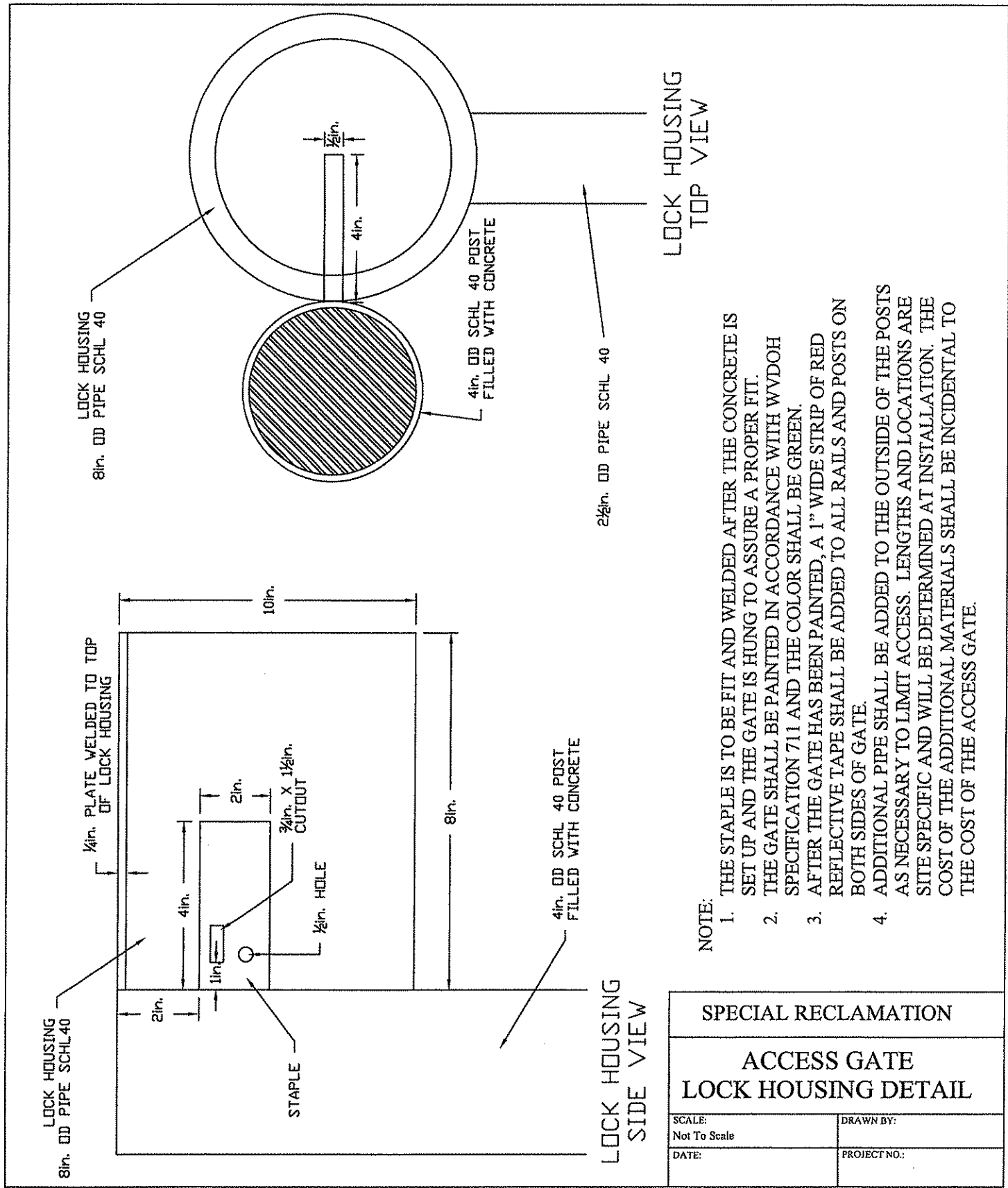
STATE OF WEST VIRGINIA
PURCHASING CONTINUATION SHEET



SPECIAL RECLAMATION	
TRUCK TURNAROUND DETAIL	
SCALE: Not To Scale	DRAWN BY:
DATE:	PROJECT NO.:

WV-36
REV. 1/29/02
VENDOR:

STATE OF WEST VIRGINIA
PURCHASING CONTINUATION SHEET



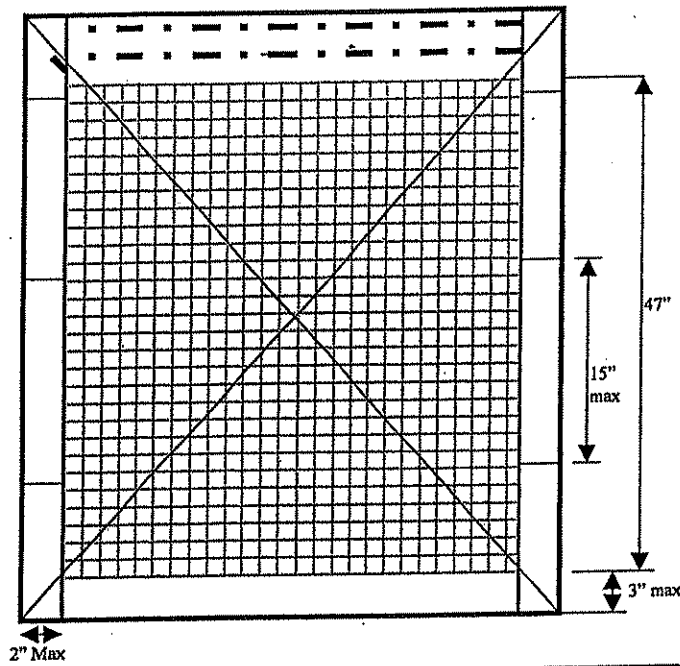
- NOTE:
1. THE STAPLE IS TO BE FIT AND WELDED AFTER THE CONCRETE IS SET UP AND THE GATE IS HUNG TO ASSURE A PROPER FIT.
 2. THE GATE SHALL BE PAINTED IN ACCORDANCE WITH WVDOH SPECIFICATION 711 AND THE COLOR SHALL BE GREEN.
 3. AFTER THE GATE HAS BEEN PAINTED, A 1" WIDE STRIP OF RED REFLECTIVE TAPE SHALL BE ADDED TO ALL RAILS AND POSTS ON BOTH SIDES OF GATE.
 4. ADDITIONAL PIPE SHALL BE ADDED TO THE OUTSIDE OF THE POSTS AS NECESSARY TO LIMIT ACCESS. LENGTHS AND LOCATIONS ARE SITE SPECIFIC AND WILL BE DETERMINED AT INSTALLATION. THE COST OF THE ADDITIONAL MATERIALS SHALL BE INCIDENTAL TO THE COST OF THE ACCESS GATE.

SPECIAL RECLAMATION	
ACCESS GATE LOCK HOUSING DETAIL	
SCALE: Not To Scale	DRAWN BY:
DATE:	PROJECT NO.:

WV-36
 REV. 1/29/02
 VENDOR:

STATE OF WEST VIRGINIA
 PURCHASING CONTINUATION SHEET

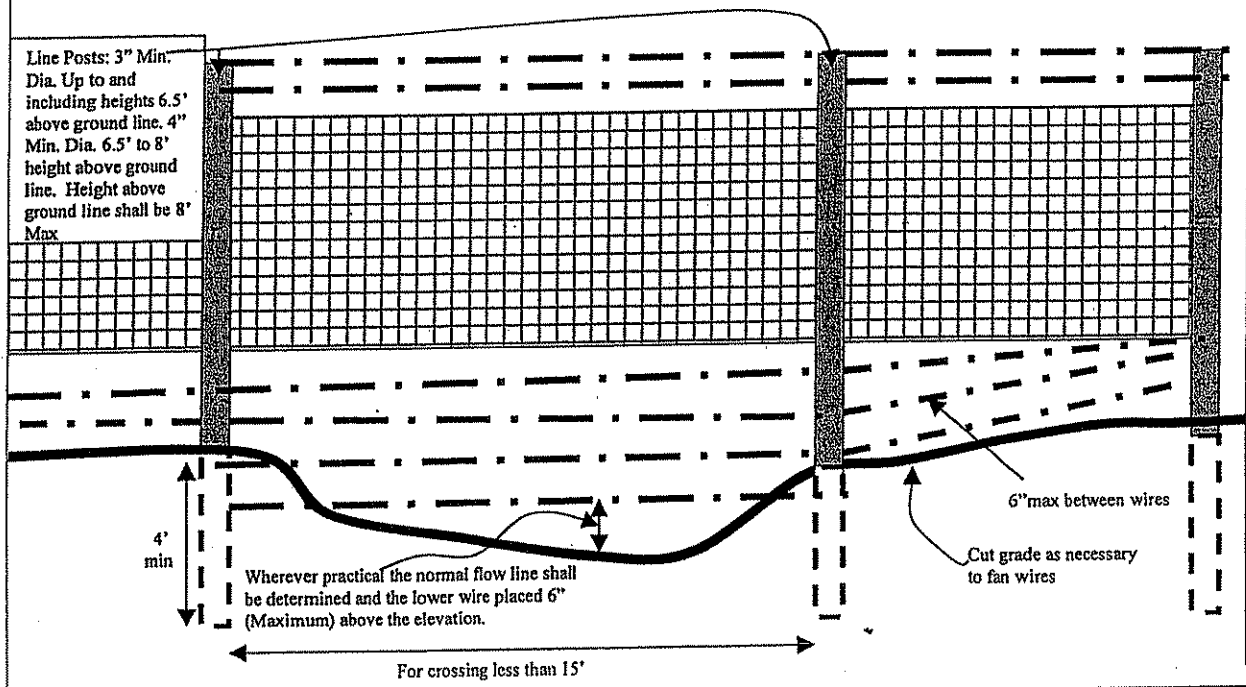
Fence Gates



Gate Notes

1. Barbed wire evenly spaced between fabric and frame
2. Contractor shall provide and install all materials for fence gates. Gates perimeter frames shall be tubular members. Contractor shall provide additional horizontal and vertical members to assure proper operation of the gate and for attachment of fabric, barbed wire, hardware, and accessories. Fabrication of gates shall have a minimum pipe diameter of 1.9" outside diameter weighing a minimum of 2.72 lbs per linear foot. Gate tubing shall be 2" square with a minimum weight of 2.60 lbs per lin foot
3. Contractor shall provide stretcher bars which shall be in one-piece lengths equal to full height of the fabric, with a minimum cross section of 3/16" X 3/4". A stretcher bar shall be provided for each gate.
4. Gate hinges shall be pressed or forged steel, or malleable iron, to suit the gate size non-lift-off type, offset to permit 180 degree opening. Provide 1 1/2 inch per hinge for each leaf over 6 feet in nominal height. Gate latches shall be forked type or plunger bar type to permit operation from either side of gate. Gate padlock eye shall be an integral part of latch.
5. Gates shall have mushroom or flush plate, with anchors which will be set in concrete to engage the center drop rod or plunger bar. Padlock eyes shall be in integral part of the latch, requiring one padlock for locking both gate leaves.
6. Gate keeper for vehicle gates shall automatically engage the gate leaf and holds it in the open position until manually released.
7. Diagonal cross bracing consisting of 3/8" diameter adjustable length truss rods on gates where required to provide frame rigidity without sag or twist.

Detail Showing Typical Section at Minor Depressions and Wet Weather Crossings

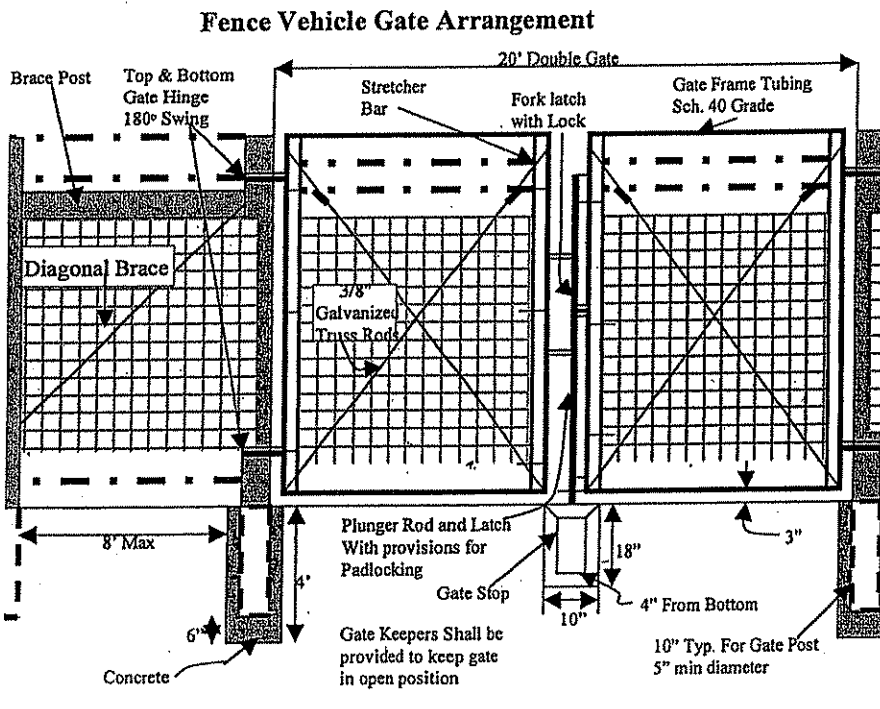
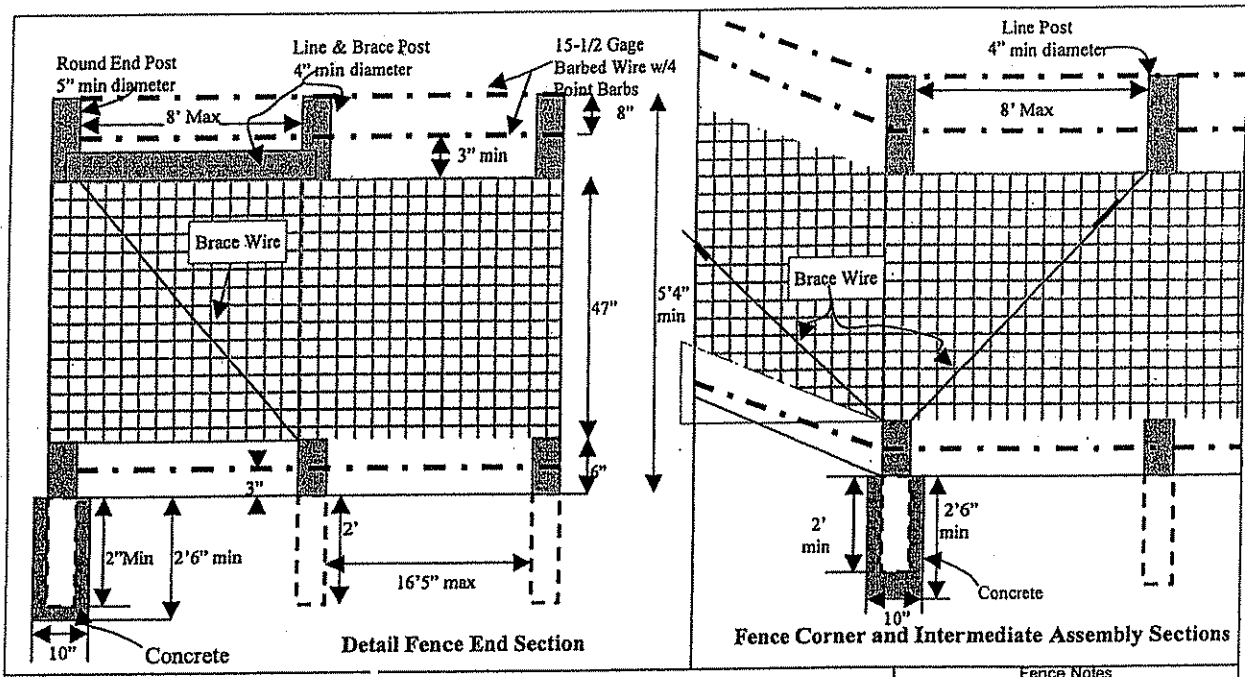


**SPECIAL RECLAMATION
 FENCING DETAILS**

SCALE: Not To Scale	DRAWN BY:
DATE:	PROJECT NO.:

WV-36
 REV. 1/29/02
 VENDOR:

STATE OF WEST VIRGINIA
 PURCHASING CONTINUATION SHEET

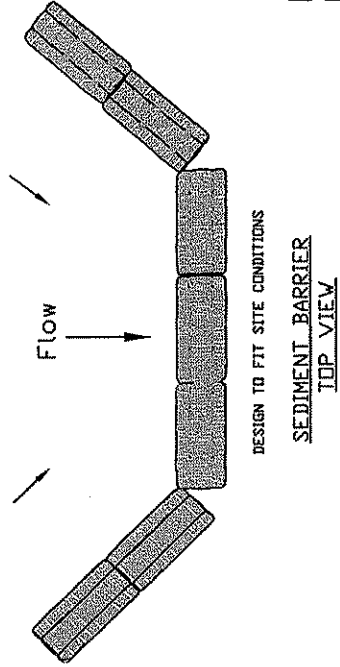
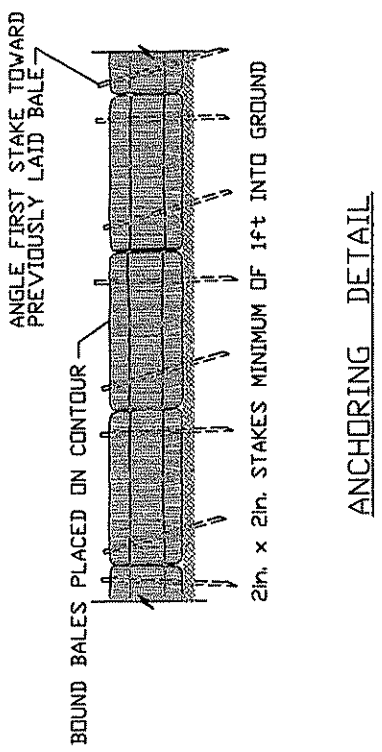
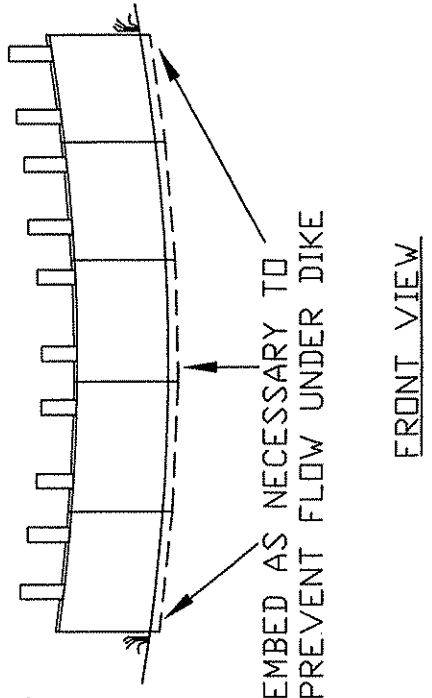
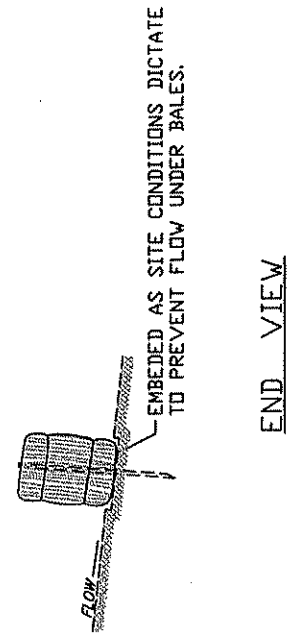


- Fence Notes**
1. All concrete used shall meet WVDOH Class "B" Concrete specifications.
 2. Gates shall not be hung, fabric and barbed wire shall not be installed for a minimum of 7 days after concrete has been poured.
 3. The post diagonal and 9 gauge high tensile galvanized steel softwire truss rod are placed at gate post and not more than 660ft. apart on level or gently sloping land and at any significant change in land surface - 15° change in alignment or slope.
 4. All fence splices shall be made in accordance with the manufacture spec.
 5. 5 inch minimum diameter round wooden treated posts set in concrete as shown shall be used for gate corner and end posts. 4" minimum diameter wooden treated post shall be used for line and brace posts. Line posts shall be installed a maximum of every 16'5".
 6. Hardware and miscellaneous fittings not specifically designated herein as to type or dimension shall be of good quality commercial design acceptable to the DEP onsite representative or engineer.
 7. Staples used to fasten fence wire to wooden posts will be 9 gauge galvanized wire with a minimum length of 1-1/2" for softwood and 1" for hardwood. Staples will be driven cross-wise to the grain and will not be driven in tight against wire.
 8. Fence fabric shall be 11 gauge or larger top and bottom wires, 14 1/2 gauge or larger intermediate line and stay wires. Maximum of 12" between stay wires.

SPECIAL RECLAMATION	
FENCING DETAILS	
SCALE: Not To Scale	DRAWN BY:
DATE:	PROJECT NO.:

WV-36
REV. 1/29/02
VENDOR:

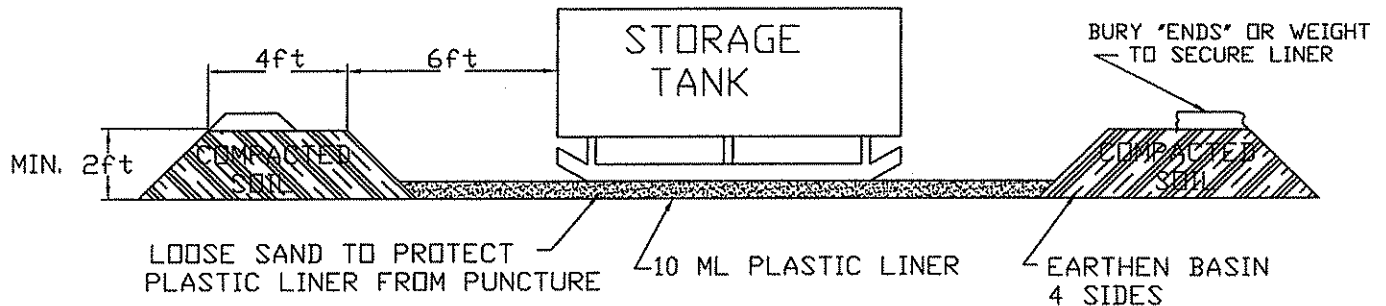
STATE OF WEST VIRGINIA
PURCHASING CONTINUATION SHEET



SPECIAL RECLAMATION	
HAYBALE DIKE DETAIL	
SCALE: Not To Scale	DRAWN BY:
DATE:	PROJECT NO.:

WV-36
REV. 1/29/02
VENDOR:

STATE OF WEST VIRGINIA
PURCHASING CONTINUATION SHEET



SELECTED HEIGHT OF EARTHEN BERM IS TO BE A TWO (2') FOOT MINIMUM OR ONE HUNDRED TEN PERCENT (110%) OF THE CAPACITY OF THE TANK(S) TOTAL VOLUME WITHIN THE BERM. A SIX (6") INCH FREEBOARD MUST BE INCLUDED.

NOTE: A TWO INCH (2") WATER REMOVAL DRAIN SHALL BE LOCATED AT THE LOWEST POINT IN THE BOTTOM OF THE CONTAINMENT VOLUME. IT SHALL CONNECT TO A NORMALLY CLOSED VALVE OUTSIDE THE DIKE. THE VALVE SHALL BE MANUALLY OPERATED AND PROTECTED FROM UNAUTHORIZED OPERATION. RAINWATER CONTAINED WITHIN THIS DIKE SHALL BE EXAMINED PRIOR TO RELEASE TO ENSURE THAT HARMFUL QUANTITIES OF FUELS AND LUBRICANTS ARE NOT DISCHARGED. ALTERNATE METHODS OF WATER REMOVAL WILL BE CONSIDERED FOR APPROVAL.

TANKS WITH SECONDARY CONTAINMENT MAY BE USED AS AN ALTERNATIVE.

SPECIAL RECLAMATION	
SPILL CONTAINMENT	
SCALE: Not To Scale	DRAWN BY:
DATE:	PROJECT NO.:

BUYER	PAGE	REQ. OR PO NO.
CB-23	91	DEP 14253
SPENDING UNIT		
WEST VIRGINIA DEPARTMENT OF ENVIRONMENTAL PROTECTION/OFFICE OF SPECIAL RECLAMATION		

General Requirements

Project Construction Sign

Work Required

The work to be performed under this Section consists of providing all labor, material and equipment necessary to install a project sign as indicated on the detail included herein and as specified herein.

Materials

- (a) Paint. Paint for the project sign shall be one (1) coat Exterior-Grade Wood Primer-Sealer, and two (2) coats Exterior-Grade Enamel by Glidden or equivalent.
- (b) Wood. Sign face shall be 3/4" X 4' X 8' Marine Exterior plywood, and posts and cross braces shall be treated.
- (c) Hardware. All hardware shall be manufactured from good, commercial-quality material and be rust resistant such as galvanized coated.

Execution

(a) Project Sign. The signboard shall be cut to the dimensions shown on the details herein. The sign shall be painted with one (1) coat of primer and two (2) coats of white enamel. All exterior cut edges shall be smooth sanded prior to painting. All edges shall be double primed. The letters, border and strips shall be painted as shown on the detail drawing.

The Contractor shall bolt the sign to posts and provide required cross bracing. The posts and sign shall be erected and posts set in gravel base, as shown on the drawings. One (1) sign is required and is to be located at the direction of WVDEP.


(b) Payment. Payment for the work which shall include installation of the project sign shall be incidental to the lump sum bid item for "Mobilization/Demobilization"

Note: No construction work shall commence prior to the project sign being installed.

OFFICE OF SPECIAL RECLAMATION	
PROJECT CONSTRUCTION SIGN	
SCALE:	DRAWN BY:
DATE:	PROJECT NO:

WV-36a STATE OF WEST VIRGINIA
REV. 1/29/02 PURCHASING CONTINUATION SHEET
VENDOR:

BUYER CB-23	PAGE 192	REQ. OR PO NO. DEP14253
SPENDING UNIT WEST VIRGINIA DEPARTMENT OF ENVIRONMENTAL PROTECTION/OFFICE OF SPECIAL RECLAMATION		




STATE OF WEST VIRGINIA
DEPARTMENT OF ENVIRONMENTAL PROTECTION

Division of Land Restoration
Office of Special Reclamation

Project Cost: \$XXX,XXX.00
Funding provided by the Special Reclamation Coal Tax paid by WV Coal Mine Companies

Joe Manchin, III,
Governor


Stephanie Timmermeyer,
Cabinet Secretary

DLR
Ken Ellison,
Director

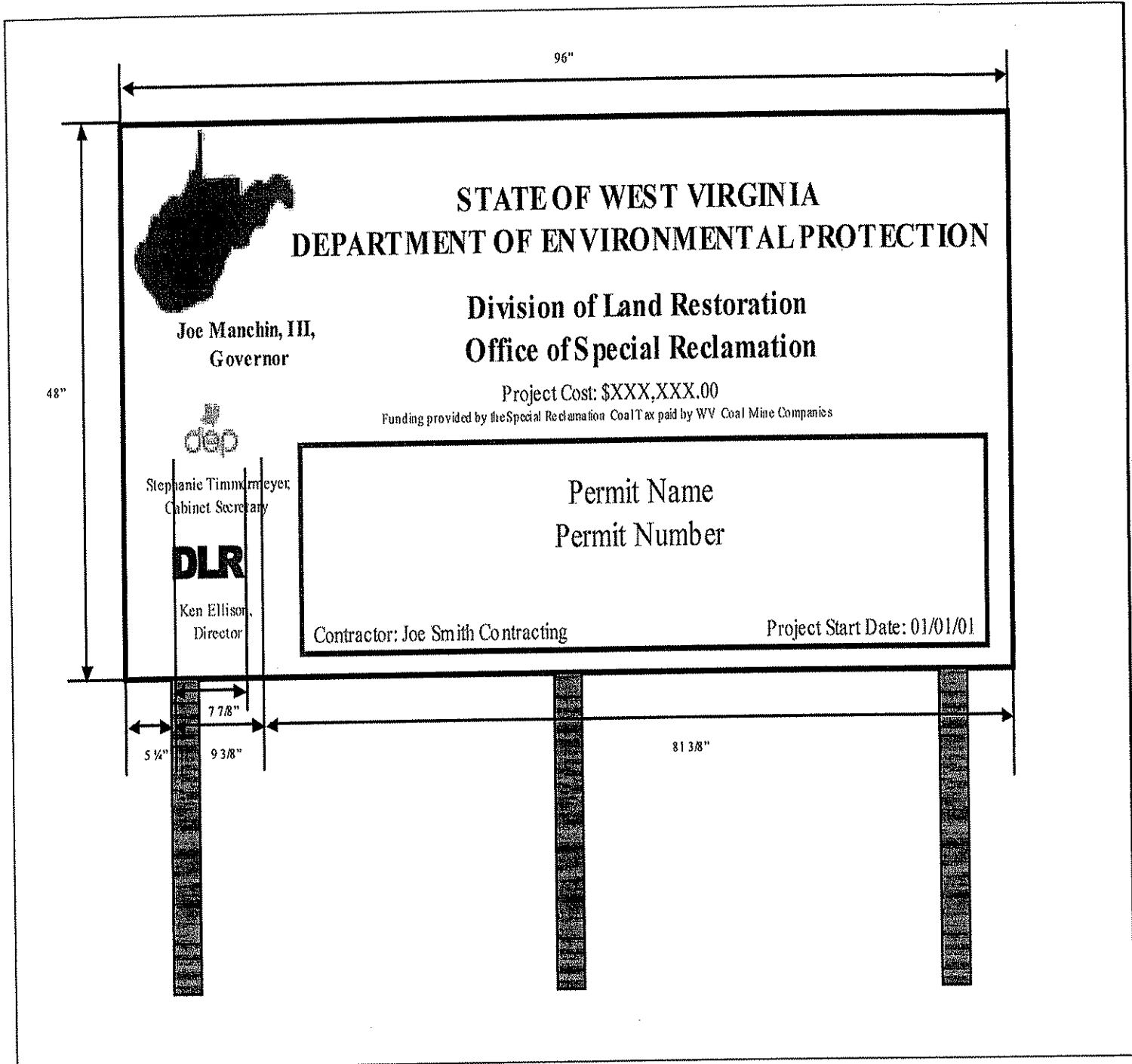
Permit Name
Permit Number

Contractor: Joe Smith Contracting Project Start Date: 01/01/01

OFFICE OF SPECIAL RECLAMATION	
PROJECT CONSTRUCTION SIGN	
SCALE:	DRAWN BY:
DATE:	PROJECT NO:

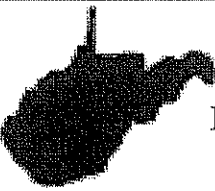

WV-36a STATE OF WEST VIRGINIA
 REV. 1/29/02 PURCHASING CONTINUATION SHEET
 VENDOR:

BUYER CB-23	PAGE 093	REQ. OR PO NO. DEP 14253
SPENDING UNIT WEST VIRGINIA DEPARTMENT OF ENVIRONMENTAL PROTECTION/OFFICE OF SPECIAL RECLAMATION		



OFFICE OF SPECIAL RECLAMATION	
PROJECT CONSTRUCTION SIGN	
SCALE:	DRAWN BY:
DATE:	PROJECT NO.:

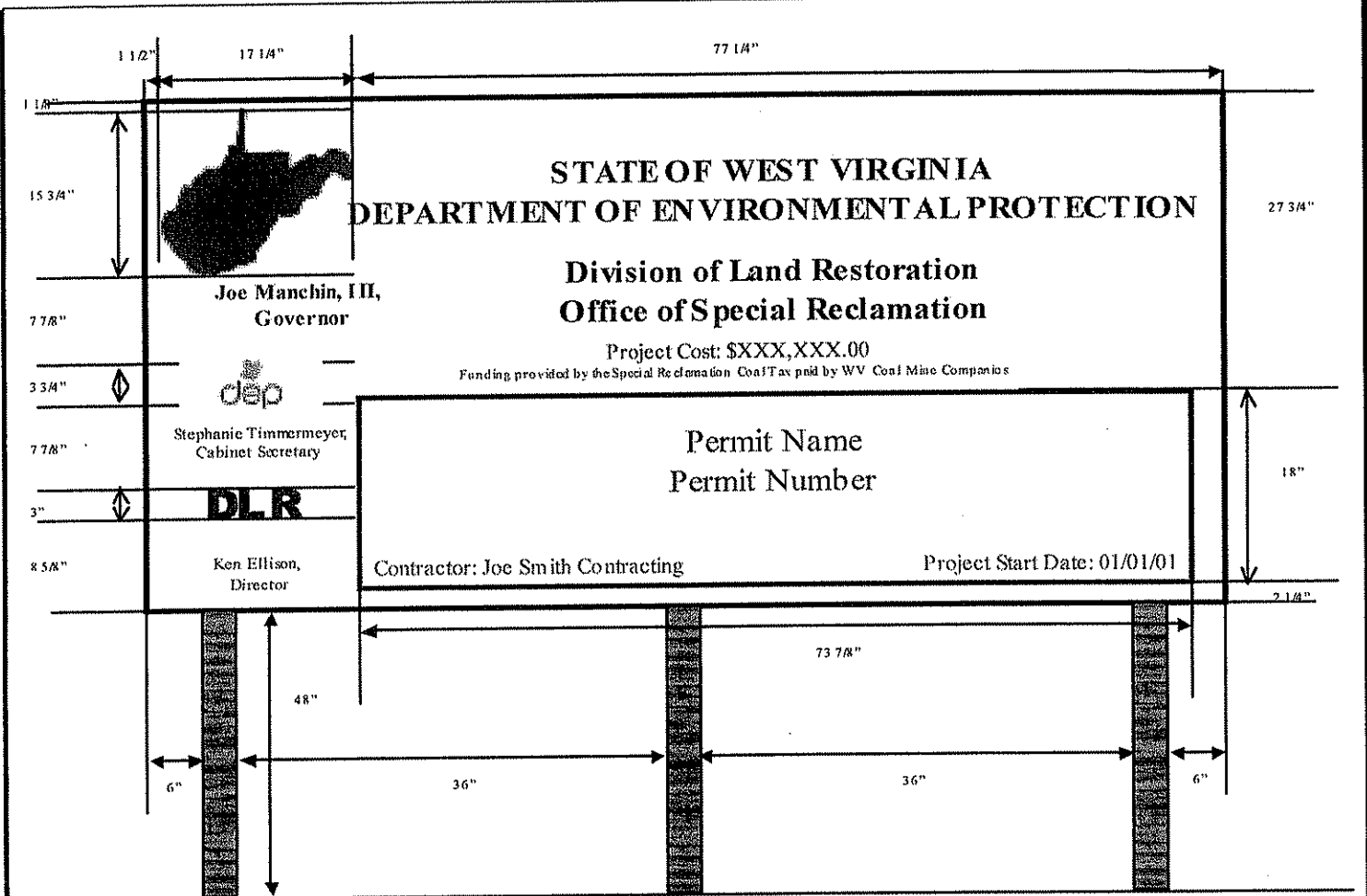
BUYER CB-23	PAGE 194	REQ. OR PO NO. DEP 14253
SPENDING UNIT WEST VIRGINIA DEPARTMENT OF ENVIRONMENTAL PROTECTION/OFFICE OF SPECIAL RECLAMATION		

 17 1/2"	STATE OF WEST VIRGINIA DEPARTMENT OF ENVIRONMENTAL PROTECTION Division of Land Restoration Office of Special Reclamation	6" 2 1/2" 1 1/2" 2 1/2" 3 1/2" 2 1/2" 1 1/2" 2 1/2" 3 1/2" 1 1/2" 4 7/8" 2 1/4" 1 1/2" 2 1/4" 4 7/8" 1 1/2" 2 1/2"
1 1/2" 1 1/2" 9 1/2" 1" 1" 8" 1" 1" 3 1/2"	Joe Manchin, III, Governor  Stephanie Timmermeyer, Cabinet Secretary DLR Ken Ellison, Director	Project Cost: \$XXX,XXX.00 Funding provided by the Special Reclamation Coal Tax paid by WV Coal Mine Companies Permit Name Permit Number Contractor: Joe Smith Contracting Project Start Date: 01/01/01

OFFICE OF SPECIAL RECLAMATION	
PROJECT CONSTRUCTION SIGN	
SCALE:	DRAWN BY:
DATE:	PROJECT NO:

WV-36a STATE OF WEST VIRGINIA
 REV. 1/29/02 PURCHASING CONTINUATION SHEET
 VENDOR:

BUYER	PAGE	REQ. OR PO NO.
CB-23	095	DEP 14253
SPENDING UNIT		
WEST VIRGINIA DEPARTMENT OF ENVIRONMENTAL PROTECTION/OFFICE OF SPECIAL RECLAMATION		



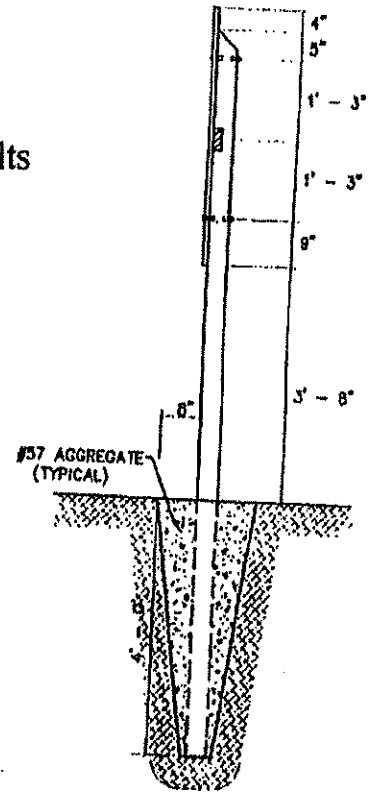
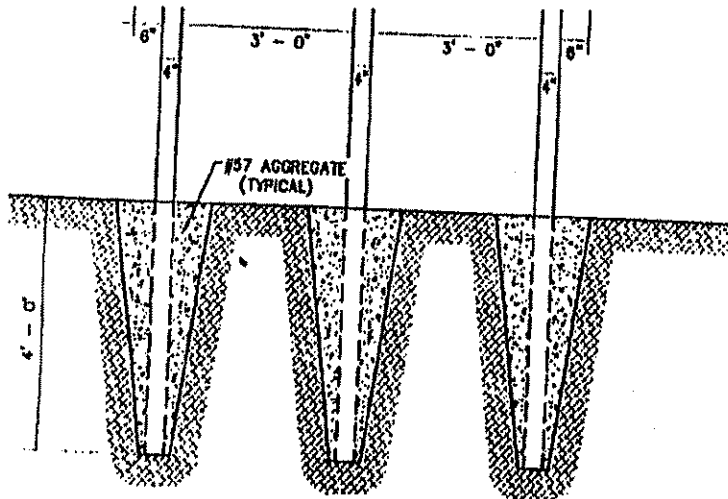
OFFICE OF SPECIAL RECLAMATION	
PROJECT CONSTRUCTION SIGN	
SCALE:	DRAWN BY:
DATE:	PROJECT NO.:

WV-36a STATE OF WEST VIRGINIA
 REV. 1/29/02 PURCHASING CONTINUATION SHEET
 VENDOR:

BUYER CB-23	PAGE 096	REQ. OR PO NO. DEP14253
SPENDING UNIT WEST VIRGINIA DEPARTMENT OF ENVIRONMENTAL PROTECTION/OFFICE OF SPECIAL RECLAMATION		

Notes:

1. Sign Board to be 3/4" by 4' X 8' Marine Plywood
2. Sign Board Color is to be White and
Letter Colors are to be Dark Green
3. 2" X 4" Treated Cross Brace Let into Posts
4. Mount sign to Posts using 3/8" X 5" Galvanized Carriage Bolts
5. Posts are to be Treated 4" X 4" X 12'
6. Location determined WVDEP



OFFICE OF SPECIAL RECLAMATION	
PROJECT SIGN	
SCALE:	DRAWN BY:
DATE:	PROJECT NO:

Agency _____
REQ.P.O# _____

BID BOND

KNOW ALL MEN BY THESE PRESENTS, That we, the undersigned, _____
of _____, _____, as Principal, and _____
of _____, _____, a corporation organized and existing under the laws of the State of _____
with its principal office in the City of _____, as Surety, are held and firmly bound unto the State
of West Virginia, as Obligee, in the penal sum of _____ (\$ _____) for the payment of which,
well and truly to be made, we jointly and severally bind ourselves, our heirs, administrators, executors, successors and assigns.

The Condition of the above obligation is such that whereas the Principal has submitted to the Purchasing Section of the
Department of Administration a certain bid or proposal, attached hereto and made a part hereof, to enter into a contract in writing for

NOW THEREFORE,

- (a) If said bid shall be rejected, or
- (b) If said bid shall be accepted and the Principal shall enter into a contract in accordance with the bid or proposal attached
hereto and shall furnish any other bonds and insurance required by the bid or proposal, and shall in all other respects perform the
agreement created by the acceptance of said bid, then this obligation shall be null and void, otherwise this obligation shall remain in full
force and effect. It is expressly understood and agreed that the liability of the Surety for any and all claims hereunder shall, in no event,
exceed the penal amount of this obligation as herein stated.

The Surety, for the value received, hereby stipulates and agrees that the obligations of said Surety and its bond shall be in no
way impaired or affected by any extension of the time within which the Obligee may accept such bid, and said Surety does hereby
waive notice of any such extension.

IN WITNESS WHEREOF, Principal and Surety have hereunto set their hands and seals, and such of them as are corporations
have caused their corporate seals to be affixed hereunto and these presents to be signed by their proper officers, this
_____ day of _____, 20_____.

Principal Corporate Seal

(Name of Principal)

By _____
(Must be President or
Vice President)

(Title)

Surety Corporate Seal

(Name of Surety)

Attorney-in-Fact

**IMPORTANT – Surety executing bonds must be licensed in West Virginia to transact surety insurance. Raised corporate seals
must be affixed, a power of attorney must be attached.**

BID BOND PREPARATION INSTRUCTIONS

AGENCY (A)
RFQ/RFP# (B)

Bid Bond

- (A) WV State Agency (Stated on Page 1 "Spending Unit") Request for Quotation Number (upper right corner of page #1)
(C) Your Company Name
(D) City, Location of your Company
(E) State, Location of your Company
(F) Surety Corporate Name
(G) City, Location of Surety
(H) State, Location of Surety
(I) State of Surety Incorporation
(J) City of Surety Incorporation
(K) Minimum amount of acceptable bid bond is 5% of total bid. You may state "5% of bid" or a specific amount on this line in words.
(L) Amount of bond in figures
(M) Brief Description of scope of work
(N) Day of the month
(O) Month
(P) Year
(Q) Name of Corporation
(R) Raised Corporate Seal of Principal
(S) Signature of President or Vice President
(T) Title of person signing
(U) Raised Corporate Seal of Surety
(V) Corporate Name of Surety
(W) Signature of Attorney in Fact of the Surety

KNOW ALL MEN BY THESE PRESENTS, That we, the undersigned, (C) of (D), (E) as Principal, and (F) of (G), (H), a corporation organized and existing under the laws of the State of (I) with its principal office in the City of (J), as Surety, are held and firmly bound unto The State of West Virginia, as Obligee, in the penal sum of (K) (\$ (L)) for the payment of which, well and truly to be made, we jointly and severally bind ourselves, our heirs, administrators, executors, successors and assigns.

The Condition of the above obligation is such that whereas the Principal has submitted to the Purchasing Section of the Department of Administration a certain bid or proposal, attached hereto and made a part hereof to enter into a contract in writing for (M)

NOW THEREFORE.

(a) If said bid shall be rejected, or

(b) If said bid shall be accepted and the Principal shall enter into a contract in accordance with the bid or proposal attached hereto and shall furnish any other bonds and insurance required by the bid or proposal, and shall in all other respects perform the agreement created by the acceptance of said bid then this obligation shall be null and void, otherwise this obligation shall remain in full force and effect. It is expressly understood and agreed that the liability of the Surety for any and all claims hereunder shall, in no event, exceed the penal amount of this obligation as herein stated

The Surety for value received, hereby stipulates and agrees that the obligations of said Surety and its bond shall be in no way impaired or affected by any extension of time within which the Obligee may accept such bid: and said Surety does hereby waive notice of any such extension.

IN WITNESS WHEREOF, Principal and Surety have hereunto set their hands and seals, and such of them as are corporations have caused their corporate seals to be affixed hereto and these presents to be signed by their proper officers, this (N) day of (O), 20 (P).

Principal Corporate Seal

(R)

(U) Surety Corporate Seal

(Q) (Name of Principal)
By (S) (Must be President or Vice President)
(T) Title
(V) (Name of Surety)
(W) Attorney-in-Fact

NOTE: Dated, Power of Attorney with Raised Surety Seal must accompany this bid bond.

IMPORTANT - Surety executing bonds must be licensed in West Virginia to transact surety insurance. Raised Corporate Seals must be affixed and a Power of Attorney must be attached.

STATE OF WEST VIRGINIA
Purchasing Division

PURCHASING AFFIDAVIT

West Virginia Code §5A-3-10a states: No contract or renewal of any contract may be awarded by the state or any of its political subdivisions to any vendor or prospective vendor when the vendor or prospective vendor or a related party to the vendor or prospective vendor is a debtor and the debt owed is an amount greater than one thousand dollars in the aggregate

DEFINITIONS:

"Debt" means any assessment, premium, penalty, fine, tax or other amount of money owed to the state or any of its political subdivisions because of a judgment, fine, permit violation, license assessment, defaulted workers' compensation premium, penalty or other assessment presently delinquent or due and required to be paid to the state or any of its political subdivisions, including any interest or additional penalties accrued thereon.

"Debtor" means any individual, corporation, partnership, association, limited liability company or any other form or business association owing a debt to the state or any of its political subdivisions. "Political subdivision" means any county commission; municipality; county board of education; any instrumentality established by a county or municipality; any separate corporation or instrumentality established by one or more counties or municipalities, as permitted by law; or any public body charged by law with the performance of a government function or whose jurisdiction is coextensive with one or more counties or municipalities. "Related party" means a party, whether an individual, corporation, partnership, association, limited liability company or any other form or business association or other entity whatsoever, related to any vendor by blood, marriage, ownership or contract through which the party has a relationship of ownership or other interest with the vendor so that the party will actually or by effect receive or control a portion of the benefit, profit or other consideration from performance of a vendor contract with the party receiving an amount that meets or exceed five percent of the total contract amount.

EXCEPTION: The prohibition of this section does not apply where a vendor has contested any tax administered pursuant to chapter eleven of this code, workers' compensation premium, permit fee or environmental fee or assessment and the matter has not become final or where the vendor has entered into a payment plan or agreement and the vendor is not in default of any of the provisions of such plan or agreement.

LICENSING: Vendors must be licensed and in good standing in accordance with any and all state and local laws and requirements by any state or local agency of West Virginia, including, but not limited to, the West Virginia Secretary of State's Office, the West Virginia Tax Department, West Virginia Insurance Commission, or any other state agencies or political subdivision. Furthermore, the vendor must provide all necessary releases to obtain information to enable the Director or spending unit to verify that the vendor is licensed and in good standing with the above entities.

CONFIDENTIALITY: The vendor agrees that he or she will not disclose to anyone, directly or indirectly, any such personally identifiable information or other confidential information gained from the agency, unless the individual who is the subject of the information consents to the disclosure in writing or the disclosure is made pursuant to the agency's policies, procedures and rules. Vendors should visit www.state.wv.us/admin/purchase/privacy for the Notice of Agency Confidentiality Policies.

Under penalty of law for false swearing (West Virginia Code, §61-5-3), it is hereby certified that the vendor acknowledges the information in this said affidavit and are in compliance with the requirements as stated.

Vendor's Name: _____

Authorized Signature: _____ Date: _____