



State of West Virginia  
 Department of Administration  
 Purchasing Division  
 2019 Washington Street East  
 Post Office Box 50130  
 Charleston, WV 25305-0130

# Request for Quotation

RFQ NUMBER  
**DEP14241**

PAGE  
**1**

ADDRESS CORRESPONDENCE TO ATTENTION OF  
**CHUCK BOWMAN  
 304-558-2157**

VENDOR

**RFQ COPY  
 TYPE NAME/ADDRESS HERE**

SHIP TO

**ENVIRONMENTAL PROTECTION  
 DEPARTMENT OF  
 OFFICE OF AML&R  
 601 57TH STREET SE  
 CHARLESTON, WV  
 25304 304-926-0499**

DATE PRINTED	TERMS OF SALE	SHIP VIA	F.O.B.	FREIGHT TERMS
02/19/2008				

BID OPENING DATE: **03/05/2008** BID OPENING TIME **01:30PM**

LINE	QUANTITY	UOP	CAT NO.	ITEM NUMBER	UNIT PRICE	AMOUNT
	*****	*****		ADDENDUM NO. 1 *****		
	ADDENDUM ISSUED FOR THE WHITMAN DRAINAGE PROJECT TO DISTRIBUTE THE SIGN-IN SHEET, Q/A, SKETCHES, AND TEST BORING LOGS RESULTING FROM THE 02/05/08 MANDATORY PRE-BID MEETING.					
	BID DATE AND OPENING TIME HAVE BEEN EXTENDED TO 03/05/06 AT 1:30 PM					
	*****	*****		NO OTHER CHANGES *****		
0001	1	LS		962-73		
	RECLAMATION: RESTORATION OF LAND & OTHER PROPERTIES					

SEE REVERSE SIDE FOR TERMS AND CONDITIONS

SIGNATURE	TELEPHONE	DATE
-----------	-----------	------

TITLE	FEIN	ADDRESS CHANGES TO BE NOTED ABOVE
-------	------	-----------------------------------

WHEN RESPONDING TO RFQ, INSERT NAME AND ADDRESS IN SPACE ABOVE LABELED 'VENDOR'

**GENERAL TERMS & CONDITIONS  
REQUEST FOR QUOTATION (RFQ) AND REQUEST FOR PROPOSAL (RFP)**

1. Awards will be made in the best interest of the State of West Virginia.
2. The State may accept or reject in part, or in whole, any bid.
3. All quotations are governed by the *West Virginia Code* and the *Legislative Rules* of the Purchasing Division.
4. Prior to any award, the apparent successful vendor must be properly registered with the Purchasing Division and have paid the required \$125.00 registration fee.
5. All services performed or goods delivered under State Purchase Orders/Contracts are to be continued for the term of the Purchase Order/Contract, contingent upon funds being appropriated by the Legislature or otherwise being made available. In the event funds are not appropriated or otherwise available for these services or goods, this Purchase Order/Contract becomes void and of no effect after June 30.
6. Payment may only be made after the delivery and acceptance of goods or services.
7. Interest may be paid for late payment in accordance with the *West Virginia Code*.
8. Vendor preference will be granted upon written request in accordance with the *West Virginia Code*.
9. The State of West Virginia is exempt from federal and state taxes and will not pay or reimburse such taxes.
10. The Director of Purchasing may cancel any Purchase Order/Contract upon 30 days written notice to the seller.
11. The laws of the State of West Virginia and the *Legislative Rules* of the Purchasing Division shall govern all rights and duties under the Contract, including without limitation the validity of this Purchase Order/Contract.
12. Any reference to automatic renewal is hereby deleted. The Contract may be renewed only upon mutual written agreement of the parties.
13. **BANKRUPTCY:** In the event the vendor/contractor files for bankruptcy protection, this Contract may be deemed null and void, and terminated without further order.
14. **HIPAA Business Associate Addendum -** The West Virginia State Government HIPAA Business Associate Addendum (BAA), approved by the Attorney General, and available online at the Purchasing Division's web site (<http://www.state.wv.us/admin/purchase/vrc/hipaa.htm>) is hereby made part of the agreement. Provided that, the Agency meets the definition of a Covered Entity (45 CFR §160.103) and will be disclosing Protected Health Information (45 CFR §160.103) to the vendor.

---

**INSTRUCTIONS TO BIDDERS**

1. Use the quotation forms provided by the Purchasing Division.
2. **SPECIFICATIONS:** Items offered must be in compliance with the specifications. Any deviation from the specifications must be clearly indicated by the bidder. Alternates offered by the bidder as **EQUAL** to the specifications must be clearly defined. A bidder offering an alternate should attach complete specifications and literature to the bid. The Purchasing Division may waive minor deviations to specifications.
3. Complete all sections of the quotation form.
4. Unit prices shall prevail in cases of discrepancy.
5. All quotations are considered F.O.B. destination unless alternate shipping terms are clearly identified in the quotation.
6. **BID SUBMISSION:** All quotations must be delivered by the bidder to the office listed below prior to the date and time of the bid opening. Failure of the bidder to deliver the quotations on time will result in bid disqualifications.

**SIGNED BID TO:**

Department of Administration  
Purchasing Division  
2019 Washington Street East  
Post Office Box 50130  
Charleston, WV 25305-0130

MANDATORY PRE-BID SIGN-IN ATTENDANCE SHEET

PRINT LEGIBLY

002

RFQ # : DEP14241  
Project: Whitman (Williams) Drainage

Bid Date: 2/28/09  
Pre-Bid Date: 2/5/09

Name : Robert Barnes  
Company: Barnes EXC. INC  
Address: P.O. Box 13384  
Sissonville  
WV 25360  
Phone #: 984-1725  
Fax #: 984-0074  
Email : none

Name : Allen Marker  
Company: Garrie R. Marker & Sons  
Address: 1119 Jefferson Rd.  
So. Chas. WV, 25309  
Phone #: 744-DS9D  
Fax #: 746-5203  
Email :

Name : GARY Long  
Company: M Court & Son Const.  
Address: 2790 Centralia Rd  
Sutton WV 26601  
Phone #: 304 765-5288  
Fax #: 304 765-5293  
Email :

Name : DAVID H. BOWMAN  
Company: GREEN MOUNTAIN CO  
Address: 511 50th STREET  
CHARLESTON WV  
25304  
Phone #: 304 925-0253  
Fax #: 925 9230  
Email : Judy Maye AOL.COM

Name ★: Wes Addair  
Company: A-A ENERGY INC  
Address: 151 STEWART ST  
WELCH WVA  
24801  
Phone #: 304-320-3961  
Fax #: 304 436-5111  
Email : WesAddair@hotmail.com

Name : Archie E Hubbard  
Company: ACME-Ventures  
Address: 138 Renee Drive  
PO Box 217  
Peytona, WV 25154  
Phone #: (304) 932-0721  
Fax #: 932-0725  
Email : archie@wvexcavator.com

Name ★: Samuel C. Hazzard Jr.  
Company: Hazzard's Exc.  
Address: P.O. Box 398  
Kimball, W.VA. 24853  
Phone #: 585-7060  
Fax #: 585-7062  
Email :

Name : Doug Vincent  
Company: Breakaway Inc.  
Address: 1075 old Turnpike Rd  
Sutton, WV 26601  
Phone #: 765-5317  
Fax #: 765-5389  
Email :

MANDATORY PRE-BID SIGN-IN ATTENDANCE SHEET

003

PRINT LEGIBLY

RFQ # : DEP14241  
Project: Whitman(Williams) Drainage

Bid Date: 2/28/08  
Pre-Bid Date: 2/5/08

Name <sup>\*</sup> : Dale Thexton  
Company: Thexton Const Co Inc  
Address: PO Box 13279 Charleston  
WV 25360

Name : \_\_\_\_\_  
Company: \_\_\_\_\_  
Address: \_\_\_\_\_

Phone #: 304 984 2299  
Fax #: 984 2334  
Email : \_\_\_\_\_

Phone# : \_\_\_\_\_  
Fax # : \_\_\_\_\_  
Email : \_\_\_\_\_

Name : Basil CARPENTER  
Company: J Ann B 2nd Inc  
Address: 333 A Cell RD  
Char WV 25312

Name : \_\_\_\_\_  
Company: \_\_\_\_\_  
Address: \_\_\_\_\_

Phone #: (304) 984-0388  
Fax #: 784-3528  
Email : \_\_\_\_\_

Phone# : \_\_\_\_\_  
Fax # : \_\_\_\_\_  
Email : \_\_\_\_\_

Name : MARVIN REYNOLDS  
Company: DIRTWORKS DEVELOPMENT  
Address: 4529 BLANKENSHIP RD.  
HUNTINGTON WV 25701

Name : \_\_\_\_\_  
Company: \_\_\_\_\_  
Address: \_\_\_\_\_

Phone #: 304 736-3719  
Fax #: 304 736-8242  
Email : lirtworks979@netgear.com  
Wet

Phone# : \_\_\_\_\_  
Fax # : \_\_\_\_\_  
Email : \_\_\_\_\_

Name : \_\_\_\_\_  
Company: \_\_\_\_\_  
Address: \_\_\_\_\_

Name : \_\_\_\_\_  
Company: \_\_\_\_\_  
Address: \_\_\_\_\_

Phone #: \_\_\_\_\_  
Fax #: \_\_\_\_\_  
Email : \_\_\_\_\_

Phone# : \_\_\_\_\_  
Fax # : \_\_\_\_\_  
Email : \_\_\_\_\_

MANDATORY PRE-BID SIGN-IN ATTENDANCE SHEET

PRINT LEGIBLY

004

RFQ # : DEP 1424  
 Project: Whitman (William) Damage

Bid Date: 2/28/08  
 Pre-Bid Date: 2/5/08

Name : JACK KEELY  
 Company: GROUND BREAKERS  
 Address: P.O. Box 1227  
CLARKSBURG WV  
26302  
 Phone #: 304 622-2400  
 Fax #: 622-2410  
 Email : \_\_\_\_\_

Name : GEORGE FRESHOUR  
 Company: EAGLE EXCAVATION INC  
 Address: P.O. BOX 218  
KENNA WV 25248  
 Phone#: (304) 372-4378  
 Fax #: (304) 372-4378  
 Email : NONE

Name : Bennie McCourt  
 Company: Mountain Movers  
 Address: 5 Stoney Creek  
Sutton WV  
 Phone #: (304) 765-5003  
 Fax #: (304) 765-5003  
 Email : \_\_\_\_\_

Name : Ann Wadsworth  
 Company: EASTERN Aerial \*  
 Address: P.O. Box 4108 LEFT  
CHARLESTON, WV SIDE  
2 DR  
 Phone#: 304 414 6255  
 Fax #: 6256  
 Email : \_\_\_\_\_

Name : Chris Ward  
 Company: Golf Design Inc.  
 Address: 1300 Sullivan Rd  
Beaver WV 25813  
 Phone #: 256 0908  
 Fax #: 256-2482  
 Email : Ward1@PeoplePC

Name : Robert Dinger  
 Company: Dow Under Const  
 Address: Rt 2 Box 157C  
Harts WV  
 Phone#: 304 855-2384  
 Fax #: 304 784-8775  
 Email : \_\_\_\_\_

Name : Randy Carpenter  
 Company: Carpenter Reclamation  
 Address: PO Box 13015  
Southern WV  
25760  
 Phone #: 984-1115  
 Fax #: 984-2270  
 Email : \_\_\_\_\_

Name : TRIP SHOWN  
 Company: BASE ENVIRONMENTAL GROUP  
 Address: 4200 FIRST AVE, SUITE 104  
NITRO, WV 25143  
 Phone#: 304 204 2500  
 Fax #: 304 204 2520  
 Email : TRIP@BASE ENV Com

**Req # DEP 14241****Whitman (Williams) Drainage Prebid Addendum #1**

The following additions/questions/answers will not cause any increase in the lump sum bid for the project.

Include in the Construction Specifications, Special Provisions III, Scope of Work "The removal of monitoring wells".

**Questions asked at the prebid meeting and answers**

Q: Is the drilling elevation the same elevation as the roof of the mine?

A: Approximately the same as the top of the void. The void could be at the top of the coal elevation or slightly higher, depending on whether or not there was a roof fall.

Q: Is there an opening that we are going to drill through?

A: The material that the contractor is going to drill through is unknown. It could be a mixture of collapsed rock, rock backfill and soil. The drilling could be difficult.

Q: Was there a punchout here?

A: It is unknown whether or not there was an active entry here or if the miners punched out from the inside.

Q: If we drill into a void can we stop?

A: No, we want to hit the main body of water at the target location. There could be voids that do not reach the main location.

Q: Is the drill angle 9%?

A: Yes as is shown on the drawings.

Q: Is the monitoring well up there on the hill. If we start here that will be much less than the 75' shown on the profile?

A: The drilling will begin farther down the hill from where we are standing. The drilling will begin at the location shown on the drawing.

Q: Can we face up closer?

A: With approval of the WVDEP but need to maintain the proposed drill elevation.

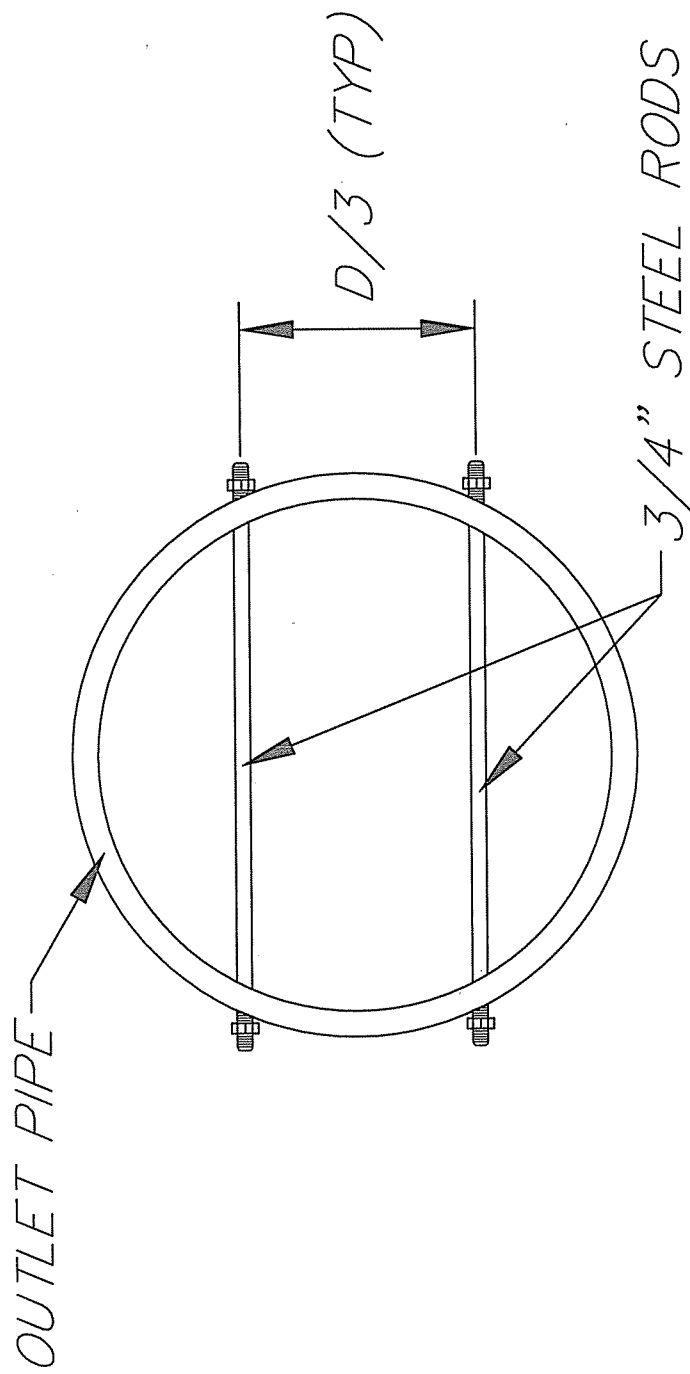
Q: Are there animal guards required for the mine overflow pipes?

A: Yes, an animal guard detail drawing has been attached.

Q: What are we going to do with this corner? (A rock overhang that has a roof fall beneath it that is located approximately 50' north of the mine overflow pipe).

A: The overhang will need to be backfilled according to the included Specification 9.3.2.

Add Construction Specification 9.3.2 – The rock overhang shall be backfilled with onsite material



TYPICAL ANIMAL GUARD

DETAIL



**TRIAD ENGINEERING, INC.**  
 ST. ALBANS & MORGANTOWN, WEST VIRGINIA  
 OFFICES IN VIRGINIA, MARYLAND & PENNSYLVANIA

**TEST BORING LOG**

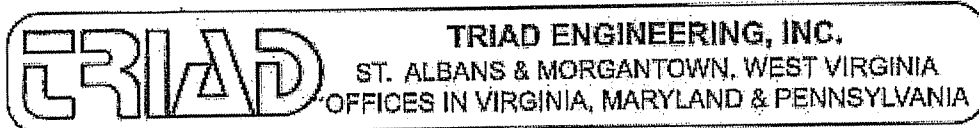
CLIENT WVDEP/AML BORING NO. B-1  
 PROJECT WHITMAN (WILLIAMS) DRAINAGE JOB NO. 04-07-0305  
 LOCATION OF BORING \_\_\_\_\_

SOIL / ROCK DESCRIPTION	Strata Depth	Depth Scale	SAMPLE				
			Blows / 6"	No.	Type	Rec.	RQD
SURFACE Weathered Brown sandstone Auger Refusal	0.0	0.0					
Gray sandstone and shale mixed  Coal 59.2 TO 65.9 into gray shale  BMB 68.4		8.0					
		13.0	/	1	RC	5.0	5.0
		23.0	/	2	RC	10.0	7.3
		33.0	/	3	RC	9.7	6.10
		43.0	/	4	RC	10.0	7.9
		53.2	/	5	RC	10.0	6.7
		63.2	/	6	RC	10.0	6.1
	68.0	/	7	RC	5.0	2.5	

Surf. Elev. N/A Ft. Hammer Wt. N/A lbs. Rock Core Dia. 3.0  
 Date: 8-1-07 Hammer Drop N/A In. Boring Method HCA Foreman RAC  
 Engineer TAT

- |                          |                               |  |
|--------------------------|-------------------------------|--|
| <u>Sampler Type</u>      | <u>Ground Water Depth</u>     | <u>Boring Method</u>   |
| SS - DRIVEN SPLIT SPOON  | FIRST NOTED <u>Nil</u> FT.    | <input checked="" type="checkbox"/> HSA - HOLLOW STEM AUGERS |
| ST - PRESSED SHELBY TUBE | AT COMPLETION <u>76.5</u> FT. | <input type="checkbox"/> CFA - CONTINUOUS FLIGHT AUGERS      |
| A - FLIGHT AUGER         | AFTER _____ HRS. _____ FT.    | <input type="checkbox"/> DC - DRIVING CASING                 |
| RC - ROCK CORE           | BACKFILLED _____ HRS.         | <input type="checkbox"/> MD - MUD DRILLING                   |





TEST BORING LOG

CLIENT WVDEP/AML BORING NO. B-1A  
 PROJECT WHITMAN (WILLIAMS) DRAINAGE JOB NO. 04-07-0385  
 LOCATION OF BORING \_\_\_\_\_

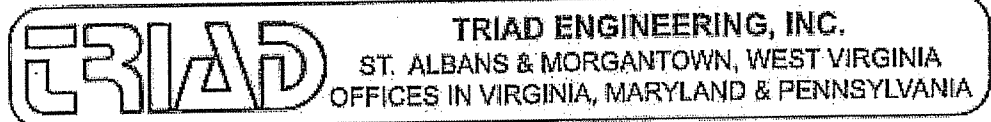
SOIL / ROCK DESCRIPTION	Strata Depth	Depth Scale	SAMPLE				
			Blows / 6"	No.	Type	Rec.	RQD
SURFACE	0.0	0.0					
Weathered Brown Sandstone		8.0					
Riser Refusal		13.0			RC		
Good Gray Sandstone and		23.0			RC		
Chalk matrix		33.0			RC		
" "		43.0			RC		
" "		53.0			RC		
void		63.0			RC		
59.2 to 60.4		68.0			RC		
B.T.B - 68.0							
60' Riser							
10' SCREEN							

Surf. Elev. 112 Ft. Hammer Wt. 110 Lbs. Rock Core Dia. 3" Foreman RAC  
 Date: 7-1-07 Hammer Drop 100 In. Boring Method HSA Engineer TJO

**Sampler Type**  
 SS - DRIVEN SPLIT SPOON  
 ST - PRESSED SHELBY TUBE  
 A - FLIGHT AUGER  
 RC - ROCK CORE

**Ground Water Depth**  
 FIRST NOTED \_\_\_\_\_ FT.  
 AT COMPLETION 58.0 FT.  
 AFTER \_\_\_\_\_ HRS. 58.0 FT.  
 BACKFILLED \_\_\_\_\_ HRS.

**Boring Method**  
 HSA - HOLLOW STEM AUGERS  
 CFA - CONTINUOUS FLIGHT AUGERS  
 DC - DRIVING CASING  
 MD - MUD DRILLING



**TEST BORING LOG**

CLIENT WVDEP/AML BORING NO. B-2  
 PROJECT WHITMAN (WILLIAMS) DRAINAGE JOB NO. 04-07-0305  
 LOCATION OF BORING \_\_\_\_\_

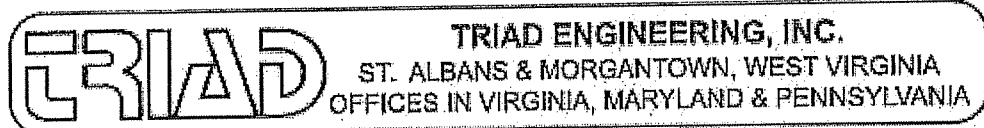
SOIL / ROCK DESCRIPTION	Strata Depth	Depth Scale	SAMPLE				
			Blows / 6"	No.	Type	Rec.	RQD
SURFACE	0.0	0.0					
BROWN & GRAY SANDSTONE  COAL 49.9 TO 57.4  BTS 60.0		4.0					
		13.0	/	1	RC	9.0	4.7
		23.0	/	2	RC	10.0	7.0
		33.0	/	3	RC	9.2	7.8
		43.0	/	4	RC	9.1	7.5
		53.0	/	5	RC	10.0	6.0
	60.0	/	6	RC			

Surf. Elev. \_\_\_\_\_ Ft. Hammer Wt. 14 Lbs. Rock Core Dia. 3.0 Foreman RNL  
 Date 9-1-07 Hammer Drop MD In. Boring Method HSD Engineer TAS

**Sampler Type**  
 SS - DRIVEN SPLIT SPOON  
 ST - PRESSED SHELBY TUBE  
 A - FLIGHT AUGER  
 RC - ROCK CORE

**Ground Water Depth**  
 FIRST NOTED Dr FT.  
 AT COMPLETION 57.0 FT.  
 AFTER \_\_\_\_\_ HRS. \_\_\_\_\_ FT.  
 BACKFILLED \_\_\_\_\_ HRS.

**Boring Method**  
 HSA - HOLLOW STEM AUGERS  
 OFA - CONTINUOUS FLIGHT AUGERS  
 DC - DRIVING CASING  
 MD - MUDFILLING



### TEST BORING LOG

CLIENT WADDER/AML BORING NO. B-2A  
 PROJECT WHITMAN (WILLIAMS) DRAINAGE JOB NO. 04-07-0305  
 LOCATION OF BORING \_\_\_\_\_

SOIL / ROCK DESCRIPTION	Strata Depth	Depth Scale	SAMPLE				
			Blows / 6"	No.	Type	Rec.	RQD
— SURFACE —	0.0						
Good Sand Stone		5.0					
		13.0					
		23.0					
		33.0					
8-1.07		43.5					
Small void 46.0 to 46.10		53.0					
void 49.0 to 58.9		63.0					
INTD SANDSTONE AT 58.9							
PJT B - 63.0							
20' screen							
40' riser							

Surf. Elev. \_\_\_\_\_ Ft. Hammer Wt. MA Lbs. Rock Core Dia. 3.0  
 Date: 8-2-07 Hammer Drop MP In. Boring Method HSA Foreman RAC  
 Engineer TAT

- |                          |                             |                                 |
|--------------------------|-----------------------------|---------------------------------|
| <u>Sampler Type</u>      | <u>Ground Water Depth</u>   | <u>Boring Method</u>            |
| SS - DRIVEN SPLIT SPOON  | FIRST NOTED <u>52.3</u> FT. | <u>HSA</u> - HOLLOW STEM AUGERS |
| ST - PRESSED SHELBY TUBE | AT COMPLETION _____ FT.     | CFA - CONTINUOUS FLIGHT AUGERS  |
| A - FLIGHT AUGER         | AFTER _____ HRS. _____ FT.  | DC - DRIVING CASING             |
| RC - ROCK CORE           | BACKFILLED _____ HRS.       | MD - MUD DRILLING               |