



State of West Virginia  
 Department of Administration  
 Purchasing Division  
 2019 Washington Street East  
 Post Office Box 50130  
 Charleston, WV 25305-0130

# Request for Quotation

RFQ NUMBER  
**DEP13007**

PAGE  
**1**

ADDRESS CORRESPONDENCE TO ATTENTION OF  
**CHUCK BOWMAN  
 304-558-2157**

VENDOR

**RFQ COPY  
 TYPE NAME/ADDRESS HERE**

SHIP TO

**ENVIRONMENTAL PROTECTION  
 DEPT. OF  
 OFFICE OF SPECIAL RECLAMATION  
 601 57TH STREET SE  
 CHARLESTON, WV  
 25304                      304-926-0499**

DATE PRINTED	TERMS OF SALE	SHIP VIA	F.O.B.	FREIGHT TERMS
<b>09/27/2007</b>				

**BID OPENING DATE: 11/14/2007                      BID OPENING TIME 01:30PM**

LINE	QUANTITY	UOP	CAT NO.	ITEM NUMBER	UNIT PRICE	AMOUNT
<b>0001</b>	<b>1</b>	<b>JB</b>		<b>962-73</b>		
<p><b>RECLAMATION: RESTORATION OF LAND</b></p> <p>THE WEST VIRGINIA PURCHASING DIVISION, FOR THE AGENCY, THE WEST VIRGINIA DEPARTMENT OF ENVIRONMENTAL PROTECTION'S OFFICE OF SPECIAL RECLAMATION, IS SOLICITING BIDS TO AWARD A CONTRACT TO PERFORM WATER RECLAMATION ON THE MINING OPERATION OF COAL X INC., NOW UNDER REVOKED PERMIT NUMBER(S) UO-396, PER THE FOLLOWING DRAWINGS, SPECIFICATIONS, SCOPE OF WORK, BID REQUIREMENTS, TERMS &amp; CONDITIONS, AND THE BID SCHEDULE AS ATTACHED.</p> <p>THE RECLAMATION SHALL BE PERFORMED UNDER THE GUIDANCE AND GENERAL SUPERVISION OF THE AGENT ASSIGNED TO THE PROJECT FOR THE STATE OF WEST VIRGINIA, DEPARTMENT OF ENVIRONMENTAL PROTECTION.</p> <p>A MANDATORY ON SITE PREBID CONFERENCE SHALL BE HELD ON 10/17/07 @ 10:00 AM. FAILURE TO ATTEND THE PREBID CONFERENCE WILL RESULT IN BID DISQUALIFICATION.</p> <p>DIRECTIONS TO THE PRE-BID: WHILE TRAVELING SOUTH ON 119, TAKE THE LOGAN EXIT. TRAVEL 2.3 MILES AND TURN LEFT ONTO ROUTE 73. TRAVEL 1.0 MILE AND TURN RIGHT ONTO ROUTE 10. TRAVEL 14 MILES AND TURN RIGHT ONTO ROUTE 80 SOUTH. TRAVEL 1.0 MILE AND TURN LEFT (CONT. ON RT. 80) TRAVEL 3.1 MILES AND TURN RIGHT AT BRUNO ONTO BRIDGE. AT END OF BRIDGE TURN RIGHT AND TRAVEL 1.6 MILES TO MINE SITE.</p>						

SEE REVERSE SIDE FOR TERMS AND CONDITIONS

SIGNATURE	TELEPHONE	DATE
TITLE	FEIN	ADDRESS CHANGES TO BE NOTED ABOVE

WHEN RESPONDING TO RFQ, INSERT NAME AND ADDRESS IN SPACE ABOVE LABELED 'VENDOR'

**GENERAL TERMS & CONDITIONS  
REQUEST FOR QUOTATION (RFQ) AND REQUEST FOR PROPOSAL (RFP)**

1. Awards will be made in the best interest of the State of West Virginia.
2. The State may accept or reject in part, or in whole, any bid.
3. All quotations are governed by the *West Virginia Code* and the *Legislative Rules* of the Purchasing Division.
4. Prior to any award, the apparent successful vendor must be properly registered with the Purchasing Division and have paid the required \$125.00 registration fee.
5. All services performed or goods delivered under State Purchase Orders/Contracts are to be continued for the term of the Purchase Order/Contract, contingent upon funds being appropriated by the Legislature or otherwise being made available. In the event funds are not appropriated or otherwise available for these services or goods, this Purchase Order/Contract becomes void and of no effect after June 30.
6. Payment may only be made after the delivery and acceptance of goods or services.
7. Interest may be paid for late payment in accordance with the *West Virginia Code*.
8. Vendor preference will be granted upon written request in accordance with the *West Virginia Code*.
9. The State of West Virginia is exempt from federal and state taxes and will not pay or reimburse such taxes.
10. The Director of Purchasing may cancel any Purchase Order/Contract upon 30 days written notice to the seller.
11. The laws of the State of West Virginia and the *Legislative Rules* of the Purchasing Division shall govern all rights and duties under the Contract, including without limitation the validity of this Purchase Order/Contract.
12. Any reference to automatic renewal is hereby deleted. The Contract may be renewed only upon mutual written agreement of the parties.
13. **BANKRUPTCY:** In the event the vendor/contractor files for bankruptcy protection, this Contract may be deemed null and void, and terminated without further order.
14. **HIPAA Business Associate Addendum** - The West Virginia State Government HIPAA Business Associate Addendum (BAA), approved by the Attorney General, and available online at the Purchasing Division's web site (<http://www.state.wv.us/admin/purchase/vrc/hipaa.htm>) is hereby made part of the agreement. Provided that, the Agency meets the definition of a Covered Entity (45 CFR §160.103) and will be disclosing Protected Health Information (45 CFR §160.103) to the vendor.

---

**INSTRUCTIONS TO BIDDERS**

1. Use the quotation forms provided by the Purchasing Division.
2. **SPECIFICATIONS:** Items offered must be in compliance with the specifications. Any deviation from the specifications must be clearly indicated by the bidder. Alternates offered by the bidder as **EQUAL** to the specifications must be clearly defined. A bidder offering an alternate should attach complete specifications and literature to the bid. The Purchasing Division may waive minor deviations to specifications.
3. Complete all sections of the quotation form.
4. Unit prices shall prevail in cases of discrepancy.
5. All quotations are considered F.O.B. destination unless alternate shipping terms are clearly identified in the quotation.
6. **BID SUBMISSION:** All quotations must be delivered by the bidder to the office listed below prior to the date and time of the bid opening. Failure of the bidder to deliver the quotations on time will result in bid disqualifications.

**SIGNED BID TO:**

Department of Administration  
Purchasing Division  
2019 Washington Street East  
Post Office Box 50130  
Charleston, WV 25305-0130



State of West Virginia  
 Department of Administration  
 Purchasing Division  
 2019 Washington Street East  
 Post Office Box 50130  
 Charleston, WV 25305-0130

# Request for Quotation

RFQ NUMBER  
**DEP13007**

PAGE  
**2**

ADDRESS CORRESPONDENCE TO ATTENTION OF  
**CHUCK BOWMAN  
 304-558-2157**

VENDOR

**RFQ COPY  
 TYPE NAME/ADDRESS HERE**

SHIP TO

**ENVIRONMENTAL PROTECTION  
 DEPT. OF  
 OFFICE OF SPECIAL RECLAMATION  
 601 57TH STREET SE  
 CHARLESTON, WV  
 25304 304-926-0499**

DATE PRINTED	TERMS OF SALE	SHIP VIA	F.O.B.	FREIGHT TERMS
<b>09/27/2007</b>				

**BID OPENING DATE: 11/14/2007 BID OPENING TIME 01:30PM**

LINE	QUANTITY	UOP	CAT NO	ITEM NUMBER	UNIT PRICE	AMOUNT
<p>THE CONTRACTOR SHALL PROVIDE ALL LABOR, MATERIALS, EQUIPMENT AND OTHER NECESSARY SERVICES SO AS TO ACCOMPLISH THE ITEMS AS SPECIFIED IN THIS CONTRACT. PROJECT IS LOCATED NEAR BRUNO, LOGAN COUNTY AND CONSISTS OF APPROXIMATELY 8.0 ACRES.</p> <p>ALL WORK MUST BE COMPLETED IN ACCORDANCE WITH THE PLANS AND SPECIFICATIONS PREPARED BY THE DEPARTMENT OF ENVIRONMENTAL PROTECTION AND PURCHASE ORDER ISSUED BY THE DEPARTMENT OF ADMINISTRATION, PURCHASING DIVISION.</p> <p>EXHIBIT 5</p> <p>NOTICE TO PROCEED: THIS CONTRACT IS TO BE PERFORMED WITHIN 365 CALENDAR DAYS AFTER THE NOTICE TO PROCEED IS RECEIVED. UNLESS OTHERWISE SPECIFIED, THE FULLY EXECUTED PURCHASE ORDER WILL BE CONSIDERED NOTICE TO PROCEED.</p> <p>CANCELLATION: THE DIRECTOR OF PURCHASING RESERVES THE RIGHT TO CANCEL THIS CONTRACT IMMEDIATELY UPON WRITTEN NOTICE TO THE VENDOR IF THE MATERIALS OR WORKMANSHIP SUPPLIED ARE OF AN INFERIOR QUALITY OR DO NOT CONFORM WITH THE SPECIFICATIONS OF THE THE BID AND CONTRACT HEREIN.</p> <p>WAGE RATES: THE CONTRACTOR OR SUBCONTRACTOR SHALL PAY THE HIGHER OF THE U.S. DEPARTMENT OF LABOR MINIMUM WAGE RATES AS ESTABLISHED FOR LOGAN COUNTY, PURSUANT TO WEST VIRGINIA CODE 21-5A, ET, SEQ.</p> <p>ARBITRATION: ANY REFERENCES MADE TO ARBITRATION OR INTEREST FOR PAYMENTS DUE (EXCEPT FOR ANY INTEREST REQUIRED BY STATE LAW) CONTAINED IN THIS CONTRACT OR IN ANY AMERICAN INSTITUTE OF ARCHITECTS DOCUMENTS PERTAINING TO THIS CONTRACT ARE HEREBY DELETED.</p>						

SEE REVERSE SIDE FOR TERMS AND CONDITIONS

SIGNATURE	TELEPHONE	DATE
-----------	-----------	------

TITLE	FEIN	ADDRESS CHANGES TO BE NOTED ABOVE
-------	------	-----------------------------------

WHEN RESPONDING TO RFQ, INSERT NAME AND ADDRESS IN SPACE ABOVE LABELED 'VENDOR'



State of West Virginia  
 Department of Administration  
 Purchasing Division  
 2019 Washington Street East  
 Post Office Box 50130  
 Charleston, WV 25305-0130

# Request for Quotation

RFQ NUMBER  
**DEP13007**

PAGE  
**3**

ADDRESS CORRESPONDENCE TO ATTENTION OF:  
**CHUCK BOWMAN**  
**304-558-2157**

RFQ COPY  
 TYPE NAME/ADDRESS HERE

VENDOR

SHIP TO

**ENVIRONMENTAL PROTECTION  
 DEPT. OF  
 OFFICE OF SPECIAL RECLAMATION  
 601 57TH STREET SE  
 CHARLESTON, WV  
 25304 304-926-0499**

DATE PRINTED	TERMS OF SALE	SHIP VIA	F.O.B.	FREIGHT TERMS
<b>09/27/2007</b>				

BID OPENING DATE: **11/14/2007** BID OPENING TIME **01:30PM**

LINE	QUANTITY	UOP	CAT NO	ITEM NUMBER	UNIT PRICE	AMOUNT
<p><b>WORKERS' COMPENSATION: VENDOR IS REQUIRED TO PROVIDE A CERTIFICATE FROM WORKERS' COMPENSATION IF SUCCESSFUL.</b></p> <p><b>ALL OF THE ITEMS CHECKED BELOW WILL BE A REQUIREMENT OF THIS CONTRACT:</b></p> <p><b>(XX) INSURANCE: SUCCESSFUL VENDOR SHALL FURNISH PROOF OF COMMERCIAL GENERAL LIABILITY INSURANCE PRIOR TO ISSUANCE OF CONTRACT. UNLESS OTHERWISE SPECIFIED IN THE BID DOCUMENTS, THE MINIMUM AMOUNT OF INSURANCE COVERAGE REQUIRED IS \$250,000.</b></p> <p><b>( ) BUILDERS RISK INSURANCE: SUCCESSFUL VENDOR SHALL FURNISH PROOF OF BUILDERS RISK - ALL RISK INSURANCE IN AN AMOUNT EQUAL TO 100% OF THE AMOUNT OF THE CONTRACT.</b></p> <p><b>(XX) BONDS: FIVE PERCENT (5%) OF THE TOTAL AMOUNT OF THE BID PAYABLE TO THE STATE OF WEST VIRGINIA, SHALL BE SUBMITTED WITH EACH BID AS A BID BOND. THE SUCCESSFUL BIDDER SHALL ALSO FURNISH A PERFORMANCE BOND AND LABOR/MATERIAL BOND FOR 100% OF THE AMOUNT OF THE CONTRACT. BONDS MAY BE PROVIDED IN THE FORM OF A CERTIFIED CHECK IRREVOCABLE LETTER OF CREDIT, OR BOND FURNISHED BY A SOLVENT SURETY COMPANY AUTHORIZED TO DO BUSINESS IN THE STATE OF WEST VIRGINIA. A LETTER OF CREDIT SUBMITTED IN LIEU OF A PERFORMANCE AND LABOR &amp; MATERIAL BOND WILL ONLY BE ALLOWED FOR PROJECTS UNDER \$10,000. PERSONAL OR BUSINESS CHECKS ARE NOT ACCEPTABLE IN LIEU OF THE 5% BID BOND, PERFORMANCE BOND, OR LABOR/MATERIAL BOND.</b></p> <p><b>( ) MAINTENANCE BOND: A TWO (2) YEAR MAINTENANCE BOND COVERING THE ROOFING SYSTEM WILL BE A REQUIREMENT OF THE SUCCESSFUL VENDOR.</b></p>						

SEE REVERSE SIDE FOR TERMS AND CONDITIONS

SIGNATURE		TELEPHONE	DATE
TITLE	FEIN	ADDRESS CHANGES TO BE NOTED ABOVE	

WHEN RESPONDING TO RFQ, INSERT NAME AND ADDRESS IN SPACE ABOVE LABELED 'VENDOR'





State of West Virginia  
 Department of Administration  
 Purchasing Division  
 2019 Washington Street East  
 Post Office Box 50130  
 Charleston, WV 25305-0130

# Request for Quotation

RFQ NUMBER  
**DEP13007**

PAGE  
**4**

ADDRESS CORRESPONDENCE TO ATTENTION OF:  
**CHUCK BOWMAN  
 304-558-2157**

VENDOR

**RFQ COPY  
 TYPE NAME/ADDRESS HERE**

SHIP TO

**ENVIRONMENTAL PROTECTION  
 DEPT. OF  
 OFFICE OF SPECIAL RECLAMATION  
 601 57TH STREET SE  
 CHARLESTON, WV  
 25304 304-926-0499**

DATE PRINTED	TERMS OF SALE	SHIP VIA	F.O.B.	FREIGHT TERMS
<b>09/27/2007</b>				

BID OPENING DATE: **11/14/2007** BID OPENING TIME **01:30PM**

LINE	QUANTITY	UOP	CAT NO.	ITEM NUMBER	UNIT PRICE	AMOUNT
				<p><b>REV. 11/00</b></p> <p><b>CONTRACTORS LICENSE</b></p> <p>WEST VIRGINIA STATE CODE 21-11-2 REQUIRES THAT ALL PERSONS DESIRING TO PERFORM CONTRACTING WORK IN THIS STATE MUST BE LICENSED. THE WEST VIRGINIA CONTRACTORS LICENSING BOARD IS EMPOWERED TO ISSUE THE CONTRACTORS LICENSE. APPLICATIONS FOR A CONTRACTORS LICENSE MAY BE MADE BY CONTACTING THE WEST VIRGINIA DIVISION OF LABOR CAPITOL COMPLEX, BUILDING 3, ROOM 319, CHARLESTON, WV 25305. TELEPHONE: (304) 558-7890.</p> <p>WEST VIRGINIA STATE CODE 21-11-11 REQUIRES ANY PROSPECTIVE BIDDER TO INCLUDE THE CONTRACTORS LICENSE NUMBER ON THEIR BID.</p> <p>BIDDER TO COMPLETE:</p> <p>CONTRACTORS NAME - .....</p> <p>CONTRACTORS LICENSE NO. - .....</p> <p>THE SUCCESSFUL BIDDER WILL BE REQUIRED TO FURNISH A COPY OF THEIR CONTRACTORS LICENSE PRIOR TO ISSUANCE OF A PURCHASE ORDER/CONTRACT.</p> <p><b>APPLICABLE LAW</b></p> <p>THE WEST VIRGINIA STATE CODE, PURCHASING DIVISION RULE AND REGULATIONS, AND THE INFORMATION PROVIDED IN THE "REQUEST FOR QUOTATION" ISSUED BY THE PURCHASING DIVISION IS THE SOLE AUTHORITY GOVERNING THIS PROCUREMENT.</p> <p>ANY INFORMATION PROVIDED IN SPECIFICATION MANUALS, OR</p>		

SEE REVERSE SIDE FOR TERMS AND CONDITIONS

SIGNATURE	TELEPHONE	DATE
-----------	-----------	------

TITLE	FEIN	ADDRESS CHANGES TO BE NOTED ABOVE
-------	------	-----------------------------------

WHEN RESPONDING TO RFQ, INSERT NAME AND ADDRESS IN SPACE ABOVE LABELED 'VENDOR'



State of West Virginia  
 Department of Administration  
 Purchasing Division  
 2019 Washington Street East  
 Post Office Box 50130  
 Charleston, WV 25305-0130

# Request for Quotation

RFQ NUMBER  
**DEP13007**

PAGE  
**5**

ADDRESS CORRESPONDENCE TO ATTENTION OF  
**CHUCK BOWMAN  
 304-558-2157**

VENDOR

**RFQ COPY  
 TYPE NAME/ADDRESS HERE**

SHIP TO

**ENVIRONMENTAL PROTECTION  
 DEPT. OF  
 OFFICE OF SPECIAL RECLAMATION  
 601 57TH STREET SE  
 CHARLESTON, WV  
 25304                      304-926-0499**

DATE PRINTED	TERMS OF SALE	SHIP VIA	FOB	FREIGHT TERMS
<b>09/27/2007</b>				

BID OPENING DATE: **11/14/2007**                      BID OPENING TIME **01:30PM**

LINE	QUANTITY	UOP	CAT NO	ITEM NUMBER	UNIT PRICE	AMOUNT
<p>ANY OTHER SOURCE, VERBAL OR WRITTEN, WHICH CONTRADICTS OR ALTERS THE INFORMATION PROVIDED FROM THE SOURCES AS DESCRIBED IN THE ABOVE PARAGRAPH IS VOID AND OF NO EFFECT.</p> <p>BANKRUPTCY: IN THE EVENT THE VENDOR/CONTRACTOR FILES FOR BANKRUPTCY PROTECTION, THIS CONTRACT IS AUTOMATICALLY NULL AND VOID, AND IS TERMINATED WITHOUT FURTHER ORDER.</p> <p>EXHIBIT 7</p> <p>DOMESTIC ALUMINUM, GLASS &amp; STEEL IN PUBLIC WORKS PROJECTS</p> <p>IN ACCORDANCE WITH WEST VIRGINIA CODE 5-19-1 ET., SEQ., EVERY CONTRACT FOR CONSTRUCTION, RECONSTRUCTION, ALTERATION, REPAIR, IMPROVEMENT OR MAINTENANCE OF PUBLIC WORKS, WHERE THE COST IS MORE THAN \$50,000 AND, IN THE CASE OF STEEL ONLY, WHERE THE COST OF STEEL IS MORE THAN \$50,000 OR WHERE MORE THAN 10,000 POUNDS OF STEEL ARE REQUIRED, THE STATE WILL ACCEPT ONLY ALUMINUM GLASS, OR STEEL PRODUCTS PRODUCED IN THE UNITED STATES. IN ADDITION, ITEMS OF MACHINERY OR EQUIPMENT PURCHASED FOR USE AT THE SITE OF PUBLIC WORKS SHALL BE MADE OF DOMESTIC ALUMINUM, GLASS OR STEEL, UNLESS THE COST OF THE PRODUCT IS LESS THAN \$50,000 OR LESS THAN 10,000 POUNDS OF STEEL ARE USED IN PUBLIC WORKS PROJECTS.</p> <p>FOREIGN MADE ALUMINUM, GLASS OR STEEL PRODUCTS MAY BE ACCEPTED ONLY IF THE COST OF DOMESTIC PRODUCTS IS FOUND TO BE UNREASONABLE. SUCH COST IS UNREASONABLE IF IT IS %20 OR MORE HIGHER THAN THE BID PRICE FOR FOREIGN MADE PRODUCTS. IF THE DOMESTIC ALUMINUM, GLASS OR STEEL PRODUCTS TO BE SUPPLIED OR PRODUCED IN A "SUBSTANTIAL LABOR SURPLUS AREA", AS DEFINED BY THE UNITED STATES</p>						

SEE REVERSE SIDE FOR TERMS AND CONDITIONS

SIGNATURE	TELEPHONE	DATE
TITLE	FEIN	ADDRESS CHANGES TO BE NOTED ABOVE

WHEN RESPONDING TO RFQ, INSERT NAME AND ADDRESS IN SPACE ABOVE LABELED 'VENDOR'



State of West Virginia  
 Department of Administration  
 Purchasing Division  
 2019 Washington Street East  
 Post Office Box 50130  
 Charleston, WV 25305-0130

# Request for Quotation

RFQ NUMBER  
**DEP13007**

PAGE  
**6**

ADDRESS CORRESPONDENCE TO ATTENTION OF  
**CHUCK BOWMAN  
 304-558-2157**

VENDOR

**RFQ COPY  
 TYPE NAME/ADDRESS HERE**

SHIP TO

**ENVIRONMENTAL PROTECTION  
 DEPT. OF  
 OFFICE OF SPECIAL RECLAMATION  
 601 57TH STREET SE  
 CHARLESTON, WV  
 25304                      304-926-0499**

DATE PRINTED	TERMS OF SALE	SHIP VIA	F.O.B.	FREIGHT TERMS
<b>09/27/2007</b>				

**BID OPENING DATE: 11/14/2007                      BID OPENING TIME 01:30PM**

LINE	QUANTITY	UOP	CAT NO	ITEM NUMBER	UNIT PRICE	AMOUNT
				<p>DEPARTMENT OF LABOR, FOREIGN PRODUCTS MAY BE SUPPLIED ONLY IF DOMESTIC PRODUCTS ARE %30 OR MORE HIGHER IN PRICE THAN THE FOREIGN MADE PRODUCTS.</p> <p>IF, PRIOR TO THE AWARD OF A CONTRACT UNDER THE ABOVE PROVISIONS, THE SPENDING OFFICER OF THE SPENDING UNIT DETERMINES THAT THERE EXISTS A BID FOR LIKE FOREIGN ALUMINUM, GLASS OR STEEL THAT IS REASONABLE AND LOWER THAN THE LOWEST BID FOR DOMESTIC PRODUCTS, THE SPENDING OFFICE MAY REQUEST, IN WRITING, A REEVALUATION AND REDUCTION IN THE LOWEST BID FOR SUCH DOMESTIC PRODUCTS. ALL VENDORS MUST INDICATE IN THEIR BID IF THEY ARE SUPPLYING FOREIGN ALUMINUM, GLASS OR STEEL.</p> <p>REV. 3/88</p> <p>EXHIBIT 9</p> <p>NOTICE FOR ISSUANCE &amp; ACKNOWLEDGEMENT OF CONSTRUCTION PROJECT ADDENDA</p> <p>THE ARCHITECT/ENGINEER AND/OR AGENCY SHALL BE REQUIRED TO ABIDE BY THE FOLLOWING SCHEDULE IN ISSUING CONSTRUCTION PROJECT ADDENDA FOR STATE AGENCIES:</p> <p>(1) THE ARCHITECT/ENGINEER SHALL PREPARE THE ADDENDUM AND A LIST OF ALL PARTIES THAT HAVE PROCURED DRAWINGS AND SPECIFICATIONS FOR THE PROJECT. THE ADDENDUM AND LIST SHALL BE FORWARDED TO THE BUYER IN THE STATE PURCHASING DIVISION. THE ARCHITECT/ENGINEER SHALL ALSO SEND A COPY OF THE ADDENDUM TO THE STATE AGENCY FOR WHICH THE CONTRACT IS ISSUED.</p> <p>(2) THE BUYER SHALL SEND THE ADDENDUM TO ALL INTERESTED PARTIES AND, IF NECESSARY, EXTEND THE BID</p>		

SEE REVERSE SIDE FOR TERMS AND CONDITIONS

SIGNATURE	TELEPHONE	DATE
TITLE	FEIN	ADDRESS CHANGES TO BE NOTED ABOVE

WHEN RESPONDING TO RFQ, INSERT NAME AND ADDRESS IN SPACE ABOVE LABELED 'VENDOR'



State of West Virginia  
 Department of Administration  
 Purchasing Division  
 2019 Washington Street East  
 Post Office Box 50130  
 Charleston, WV 25305-0130

# Request for Quotation

RFQ NUMBER  
**DEP13007**

PAGE  
**7**

ADDRESS CORRESPONDENCE TO ATTENTION OF:  
**CHUCK BOWMAN  
 304-558-2157**

**RFQ COPY  
 TYPE NAME/ADDRESS HERE**

VENDOR

SHIP TO

**ENVIRONMENTAL PROTECTION  
 DEPT. OF  
 OFFICE OF SPECIAL RECLAMATION  
 601 57TH STREET SE  
 CHARLESTON, WV  
 25304 304-926-0499**

DATE PRINTED	TERMS OF SALE	SHIP VIA	FOB	FREIGHT TERMS
<b>09/27/2007</b>				

BID OPENING DATE: **11/14/2007** BID OPENING TIME **01:30PM**

LINE	QUANTITY	UOP	CAT NO	ITEM NUMBER	UNIT PRICE	AMOUNT
<p>OPENING DATE. ANY ADDENDUM SHOULD BE RECEIVED BY THE BUYER WITHIN FOURTEEN (14) DAYS PRIOR TO THE BID OPENING DATE.</p> <p>(3) ALL ADDENDA SHOULD BE FORMALLY ACKNOWLEDGED BY ALL BIDDERS AND SUBMITTED TO THE STATE PURCHASING DIVISION AND THE STATE AUDITOR'S OFFICE. THE SAME RULES AND REGULATIONS THAT APPLY TO THE ORIGINAL BIDDING DOCUMENT SHALL ALSO APPLY TO AN ADDENDUM DOCUMENT. THE ONLY EXCEPTION MAY BE FOR AN ADDENDUM THAT IS ISSUED FOR THE SOLE PURPOSE OF CHANGING A BID OPENING TIME AND/OR DATE.</p> <p>REV. 11/96</p> <p>EXHIBIT 10</p> <p style="text-align: center;">REQUISITION NO.: .....</p> <p>ADDENDUM ACKNOWLEDGEMENT</p> <p>I HEREBY ACKNOWLEDGE RECEIPT OF THE FOLLOWING CHECKED ADDENDUM(S) AND HAVE MADE THE NECESSARY REVISIONS TO MY PROPOSAL, PLANS AND/OR SPECIFICATION, ETC.</p> <p>ADDENDUM NO.'S:</p> <p>NO. 1 .....</p> <p>NO. 2 .....</p> <p>NO. 3 .....</p> <p>NO. 4 .....</p>						

SEE REVERSE SIDE FOR TERMS AND CONDITIONS

SIGNATURE	TELEPHONE	DATE
TITLE	FEIN	ADDRESS CHANGES TO BE NOTED ABOVE

WHEN RESPONDING TO RFQ, INSERT NAME AND ADDRESS IN SPACE ABOVE LABELED 'VENDOR'



State of West Virginia  
 Department of Administration  
 Purchasing Division  
 2019 Washington Street East  
 Post Office Box 50130  
 Charleston, WV 25305-0130

# Request for Quotation

RFQ NUMBER  
**DEP13007**

PAGE  
**8**

ADDRESS CORRESPONDENCE TO ATTENTION OF  
**CHUCK BOWMAN  
 304-558-2157**

**RFQ COPY**  
**TYPE NAME/ADDRESS HERE**

VENDOR

SHIP TO

**ENVIRONMENTAL PROTECTION  
 DEPT. OF  
 OFFICE OF SPECIAL RECLAMATION  
 601 57TH STREET SE  
 CHARLESTON, WV  
 25304 304-926-0499**

DATE PRINTED	TERMS OF SALE	SHIP VIA	F.O.B.	FREIGHT TERMS
09/27/2007				

BID OPENING DATE: **11/14/2007** BID OPENING TIME **01:30PM**

LINE	QUANTITY	UOP	CAT NO	ITEM NUMBER	UNIT PRICE	AMOUNT
	30.5 .....					
<p>I UNDERSTAND THAT FAILURE TO CONFIRM THE RECEIPT OF THE ADDENDUM(S) MAY BE CAUSE FOR REJECTION OF BIDS.</p> <p>VENDOR MUST CLEARLY UNDERSTAND THAT ANY VERBAL REPRESENTATION MADE OR ASSUMED TO BE MADE DURING ANY ORAL DISCUSSION HELD BETWEEN VENDOR'S REPRESENTATIVES AND ANY STATE PERSONNEL IS NOT BINDING. ONLY THE INFORMATION ISSUED IN WRITING AND ADDED TO THE SPECIFICATIONS BY AN OFFICIAL ADDENDUM IS BINDING.</p> <p>..... SIGNATURE</p> <p>..... COMPANY</p> <p>..... DATE</p> <p>REV. 11/96</p> <p>NOTICE</p> <p>A SIGNED BID MUST BE SUBMITTED TO:</p> <p>DEPARTMENT OF ADMINISTRATION          PURCHASING DIVISION          BUILDING 15          2019 WASHINGTON STREET, EAST          CHARLESTON, WV 25305-0130</p>						

SEE REVERSE SIDE FOR TERMS AND CONDITIONS

SIGNATURE	TELEPHONE	DATE
TITLE	FEIN	ADDRESS CHANGES TO BE NOTED ABOVE

WHEN RESPONDING TO RFQ, INSERT NAME AND ADDRESS IN SPACE ABOVE LABELED 'VENDOR'



State of West Virginia  
 Department of Administration  
 Purchasing Division  
 2019 Washington Street East  
 Post Office Box 50130  
 Charleston, WV 25305-0130

# Request for Quotation

RFQ NUMBER  
**DEP13007**

PAGE  
**9**

ADDRESS CORRESPONDENCE TO ATTENTION OF  
**CHUCK BOWMAN**  
**304-558-2157**

VENDOR

**RFQ COPY**  
 TYPE NAME/ADDRESS HERE

SHIP TO

**ENVIRONMENTAL PROTECTION  
 DEPT. OF  
 OFFICE OF SPECIAL RECLAMATION  
 601 57TH STREET SE  
 CHARLESTON, WV  
 25304 304-926-0499**

DATE PRINTED	TERMS OF SALE	SHIP VIA	F.O.B.	FREIGHT TERMS
<b>09/27/2007</b>				

BID OPENING DATE: **11/14/2007** BID OPENING TIME **01:30PM**

LINE	QUANTITY	UOP	CAT NO	ITEM NUMBER	UNIT PRICE	AMOUNT
<p>THE BID SHOULD CONTAIN THIS INFORMATION ON THE FACE OF THE ENVELOPE OR THE BID MAY NOT BE CONSIDERED:</p> <p>SEALED BID</p> <p>BUYER: CB-23            RFQ. NO.: DEP13007            BID OPENING DATE: 11/14/2007            BID OPENING TIME: 1:30 PM</p> <p>PLEASE PROVIDE A FAX NUMBER IN CASE IT IS NECESSARY TO CONTACT YOU REGARDING YOUR BID:</p> <p>-----</p> <p>CONTACT PERSON (PLEASE PRINT CLEARLY):</p> <p>-----</p> <p>***** THIS IS THE END OF RFQ DEP13007 ***** TOTAL: _____</p>						

SEE REVERSE SIDE FOR TERMS AND CONDITIONS

SIGNATURE	TELEPHONE	DATE
TITLE	FEIN	ADDRESS CHANGES TO BE NOTED ABOVE

WHEN RESPONDING TO RFQ, INSERT NAME AND ADDRESS IN SPACE ABOVE LABELED 'VENDOR'

WV-36a STATE OF WEST VIRGINIA  
REV. 1/29/02 PURCHASING CONTINUATION SHEET  
VENDOR:

BUYER CB-23	PAGE 010	REQ. OR PO NO DEP. 13007
SPENDING UNIT WEST VIRGINIA DEPARTMENT OF ENVIRONMENTAL PROTECTION / OFFICE OF SPECIAL RECLAMATION		

**COAL-X Inc. UO-396  
SITE 2**

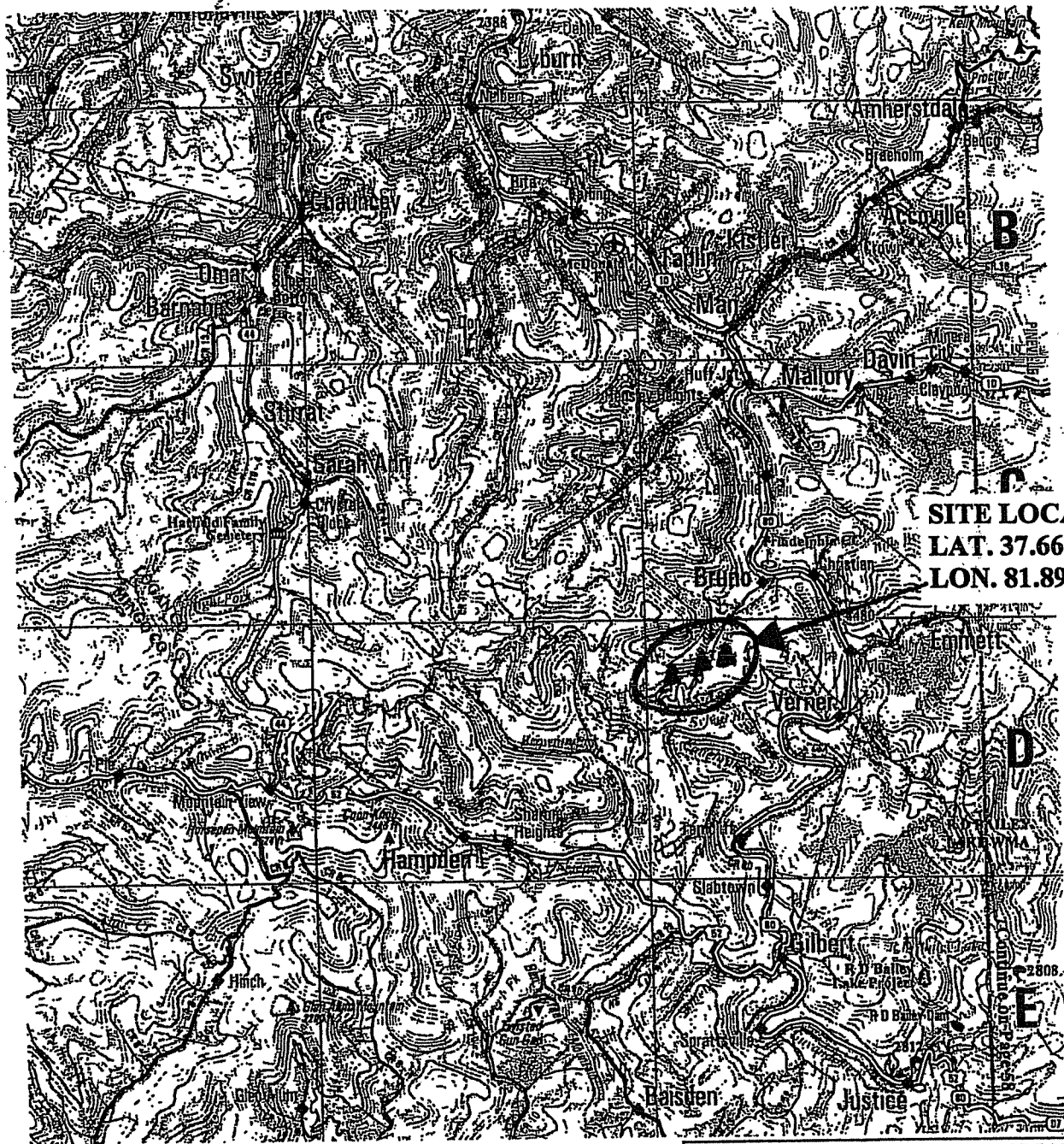
**While traveling south on 119 take Logan Exit. Travel 2.3 miles and turn left onto route 73. Travel 1.0 mile and turn right onto route 10. Travel 14 miles and turn right onto route 80 South. Travel 0.1 mile and turn left (continuing on route 80). Travel 3.1 miles and turn right at Bruno onto bridge. At end of bridge turn right and travel 1.6 miles to mine site.**

<b>OFFICE OF SPECIAL RECLAMATION</b>	
<b>DIRECTIONS TO SITE ATTACHMENT</b>	
SCALE: NOT TO SCALE	DRAWN BY:
DATE:	PROJECT NO:

WV-36a STATE OF WEST VIRGINIA  
REV. 1/29/02 PURCHASING CONTINUATION SHEET  
VENDOR:

BUYER CB-23	PAGE 011	REQ. OR PO NO DER 13007
SPENDING UNIT WEST VIRGINIA DEPARTMENT OF ENVIRONMENTAL PROTECTION / OFFICE OF SPECIAL RECLAMATION		

COAL-X Inc.  
UO-396



**SITE LOCATION**  
LAT. 37.6664  
LON. 81.8983

<b>OFFICE OF SPECIAL RECLAMATION</b>	
<b>LOCATION MAP</b>	
<b>ATTACHMENT</b>	
SCALE: NOT TO SCALE	DRAWN BY:
DATE:	PROJECT NO:



BUYER CB-23	PAGE 1012	REQ. OR PO NO. DEP 13007
SPENDING UNIT		
WEST VIRGINIA DEPARTMENT OF ENVIRONMENTAL PROTECTION/OFFICE OF SPECIAL RECLAMATION		

WV-36a STATE OF WEST VIRGINIA  
REV. 1/29/02 PURCHASING CONTINUATION SHEET  
VENDOR:

### SCOPE OF WORK

The successful bidder shall provide appropriate equipment, materials, labor and any technical services needed for the successful reclamation of Coal-X Inc., Permit UO-396, and any disturbance associated with such operation. The General Performance Standards (GPS) shall apply to all items in Scope of Work.

Work necessary on this site will include the following items, but is not limited to these:

1. Upon mobilization to the site, which will be directed in a written Notice to Proceed, the access roads shall be developed in accordance with bid item # 3.0. If, fuel and lubricants are to be stored on site, bid item # 2.0 shall be in place before fuel is delivered. Project sign shall be constructed and erected in accordance with attached specifications. The sign shall be maintained during the construction activities and through the life of the warranty period. Sign cost is No Bid Item and included with mobilization cost. No work shall be authorized or allowed at site until sign is constructed and erected on site and approved by DEP.
2. Storm water management in the form as described in bid item # 7.0, 14.0, 23.0 shall be installed.
3. Concurrent and continuous reclamation shall be maintained throughout the life of the project. Backfill is required for all areas. Regrading and topsoiling is required for all areas. Revegetation and soil improvements is required for all areas. Reclamation is to be according to the attached specifications, plans, and clarifying discussions at the Pre-Bid Conference.
4. Construction stakeout as necessary to carry out work. (Bid Item # 4.0) Contractor shall balance out cut/fill to minimize excess spoil material.
5. Check for and locate all utilities within the work area to provide and maintain a safe working area in addition to preventing damage to the utility
6. **NOTE:** All HDPE pipe flange type connections shall have the red rubber gaskets installed (i.e. cleanouts, knife valves)

### SITE ONE

7. Construct approximately **ONE HUNDRED TWENTY-FIVE (125') LINEAR FEET OF GROUTED TRAPEZOIDAL CHANNEL NUMBER ONE (#1)** including **DRIVE-THROUGH NUMBER ONE (#1)** where channel one intersects existing bench/access road. **NOTE:** Grouted Trapezoidal Channel Number One (#1) shall be keyed into the existing stream channel at both ends. The cost of rock and grout used is inclusive to the cost of **TRAPEZOIDAL CHANNEL NUMBER ONE (#1)** (see attached plans and/or specifications).
8. Construct approximately **SEVENTY-FIVE (75') LINEAR FEET OF V-DITCH NUMBER ONE (#1)** redirecting flow towards **TRAPEZOIDAL CHANNEL ONE (#1)** flowing through **MINE ACCESS ROAD**, and discharging into **TRAPEZOIDAL CHANNEL ONE (#1)** above **DRIVE THROUGH ONE (#1)**. The cost of rock will be inclusive to the cost of v-ditch #1 (see attached specifications and/or plans).
9. Construct and install **DROP INLET BOX NUMBER ONE (#1)** to collect water from mine seal discharge. **DROP INLET BOX NUMBER ONE (#1)** will be fitted with a metal locking lid. Drop inlet box number one (#1) will be fitted with wingwalls and shall include three inch (3") sandstone installed between seal and drop inlet box number one (#1) and shall collect and convey all water that may seep form around installed wet seal. Cost of all pipe, sandstone, and metal lid will be inclusive to the cost of drop inlet box number one (#1)(see attached specifications and/or plans).
10. Install approximately **FORTY-ONE HUNDRED (4100') LINEAR FEET OF MINE DISCHARGE CONVEYANCE 6" HDPE DR17 PIPE** to convey water from drop inlet box #1 to raw water pond at **SITE TWO (2)**. Pipe shall maintain a uniform grade throughout its length with no swags or low spots in the line. The cost of pipe, with all cleanouts, is inclusive to the cost of installation (see attached specifications and/or plans).

BUYER CB-23	PAGE 013	REQ. OR PO NO. DEP 13007
SPENDING UNIT		
WEST VIRGINIA DEPARTMENT OF ENVIRONMENTAL PROTECTION/OFFICE OF SPECIAL RECLAMATION		

WV-36a STATE OF WEST VIRGINIA  
REV. 1/29/02 PURCHASING CONTINUATION SHEET  
VENDOR:

11. Reconstruct approximately **SIX HUNDRED (600') LINEAR FEET MINE BENCH/TRAIL** above mine seals at a 1-3% grade to drain toward the Northwest (NW) end of bench area and exit over to existing channel. Restore berm on mine bench to prevent water from flowing over backstack. The cost of rock will be inclusive to the cost of Mine Bench/Trail reconstruction (see attached specifications and/or plans).
12. Reconstruct approximately **ONE THOUSAND (1000') LINEAR FEET OF EXISTING MINE ACCESS ROAD**. Road will be graded no less than two (2%) percent towards existing hillside and have a restored/constructed berm. The road base will be covered with a **WOVEN FILTER FABRIC** prior to rock placement. The cost of rock and filter fabric will be inclusive to the cost of Mine Access Road. Construct storm water ditch on inner side of road along entire length which shall drain into Channels 1 and 2 (see attached specifications and/or plans).
13. **INSTALL** approximately **FIVE HUNDRED (500) LINEAR FEET OF HAYBALE DIKE** as shown on plan view map and as directed by WVDEP site personnel.
14. Remove all junk and debris from site and dispose of properly. **\*Documentation of proper disposal must be provided, with invoice.**
15. **REGRADE AND REVEGATE APPROXIMATELY 5.0 ACRES** using standard seed and fertilizer mixture with agricultural lime applied at a rate of three (3) tons per acre (see attached specifications and/or plans).
16. Existing access roads will be graded and maintained through the life of the contract. All existing roads will be left in usable condition.

### SITE TWO

17. Construct the **WATER TREATMENT FACILITY**. This will consist of an **AQUA-FIX SYSTEM MSS-SM-OA-5**, and include the construction and installation of the **TIP BUCKET, CONCRETE FOUNDATION, WATER INTAKE LINE, ONE (1) TWO INCH (2") HDPE DR17 DRIVE LINE, RAW WATER STAND PIPE, DRIVE LINE STAND PIPE, SLUDGE REMOVAL LINE, 6" STAINLESS STEEL KNIFE VALVES WITH VALVE BOXES, 2" STAINLESS KNIFE VALVE WITH VALVE BOX, FIVE (5) TON SILO, STEEL ENCLOSURE, and a CRANE** for lifting the unit and silo. All fill areas on site 2 shall be placed in twelve inch (12") maximum lifts and compacted to 95% standard proctor (see attached specifications and/or plans). The cost of the tip bucket, concrete foundation, water intake line, drive line, silo, steel enclosure and crane will be inclusive to the cost of the Water Treatment Facility.
18. Construct approximately **TWO HUNDRED (200') LINEAR FEET OF TRAPEZOIDAL CHANNEL NUMBER TWO (#2)** to convey water from **CONCRETE HEADWALL NUMBER EIGHT (#8)** to existing Sandlick Creek (see attached specifications and/or plans). The cost of the rock will be inclusive to the cost of Trapezoidal Channel Two (#2).
19. Construct approximately **TWO HUNDRED (200') LINEAR FEET OF V-DITCH NUMBER TWO (#2)** to convey water from **WATER TREATMENT FACILITY** to **CONCRETE HEADWALL NUMBER ONE (#1)**. Construct and install **CONCRETE HEADWALL NUMBER ONE (#1)** to collect water from **V-DITCH NUMBER TWO (#2)**. **CONCRETE HEADWALL NUMBER ONE (#1)** shall have two (2) six inch (6") HDPE DR17 pipes, which will each be fitted with **ONE (1) STAINLESS STEEL KNIFE VALVE** on the discharge side of headwall set individually in separate valve boxes. One 6" HDPE DR17 pipe shall be approximately fifty feet (50') and convey water to **CONCRETE HEADWALL NUMBER TWO (#2)**, which is located in pond number one (#1) and the other 6" HDPE DR17 pipe shall be approximately one hundred twenty-five (125') feet and convey water to **CONCRETE HEADWALL NUMBER FOUR (#4)**, which is located in pond number two (#2) (see attached specifications and/or plans). The cost of rock, headwall with trash rack, all pipe, stainless steel knife valves, and valve boxes will be inclusive to the cost of v-ditch number two (#2).
20. Construct **RAW WATER POND** according to attached specifications and/or plans. Pond must be lined to prevent water from leaching out. **TWO ANCHOR PADS** will be built, one for stand pipes for driveline & raw waterline and the other for the sludge removal line. Install **CONCRETE HEADWALL NUMBER ELEVEN (#11) WITH SPLASHPAD**

BUYER	PAGE	REQ. OR PO NO.
CB-23	014	DEP 13007
SPENDING UNIT		
WEST VIRGINIA DEPARTMENT OF ENVIRONMENTAL PROTECTION/OFFICE OF SPECIAL RECLAMATION		

WV-36a STATE OF WEST VIRGINIA  
REV. 1/29/02 PURCHASING CONTINUATION SHEET  
VENDOR:

on upstream embankment of raw water pond where 6" HDPE DR17 mine discharge conveyance pipe discharges into pond. (see attached specifications and/or plans) The cost of the ANCHOR PADS, CONCRETE HEADWALL #11 and LINER will be inclusive to the cost of the pond

21. Construct **EXCAVATED POND NUMBER ONE (#1)** to receive water from **CONCRETE HEADWALL NUMBER ONE (#1)**. Pond must be lined to prevent water from leaching out. Construct **CONCRETE HEADWALL NUMBER TWO (#2) WITH SPLASH PAD** where pipe from concrete headwall number one (#1) enters pond. On the opposite end of Pond Number One (#1), construct **CONCRETE HEADWALL NUMBER THREE (#3)**, which will have two (2) six inch (6") HDPE DR17 pipes each fitted with **ONE (1) STAINLESS STEEL KNIFE VALVE** on the discharge side of headwall set individually in separate valve boxes. One 6" HDPE DR17 PIPE will be approximately Twenty-Five (25') Linear Feet and enter **POND NUMBER TWO (#2)** through **CONCRETE HEADWALL NUMBER FIVE (#5)**. The other 6" HDPE DR17 PIPE will be approximately One Hundred Twenty- Five (125') Linear Feet and bypass Pond Number Two (#2) entering **POND NUMBER THREE (#3)** through **CONCRETE HEADWALL NUMBER SIX (#6)**. Under general supervision of WVDEP Personnel, **TWO BAFFLE CURTAINS** will be installed (see attached specifications and/or plans). The cost of **CONCRETE HEADWALL NUMBER TWO (#2) WITH SPLASH PAD, LINER, CONCRETE HEADWALL NUMBER THREE WITH 6" HDPE DR17 PIPES, STAINLESS STEEL VALVES, VALVE BOXES, AND BAFFLES** will be inclusive to the cost of Pond Number One (#1).
22. Construct **EXCAVATED POND NUMBER TWO (#2)** according to attached specifications. Pond must be lined to prevent water from leaching out. Install a **CONCRETE HEADWALL NUMBER FIVE (#5) WITH SPLASH PAD** with Six (6") Inch HDPE DR17 Pipe to accept water from Pond Number One (#1) via concrete headwall number three (#3). Install **CONCRETE HEADWALL NUMBER FOUR (#4) WITH SPLASH PAD** with six inch (6") HDPE DR17 pipe to accept water from concrete headwall number one (#1). A **GROUTED RIP-RAP SPILLWAY** will be constructed from Pond Number Two (#2) to Pond Number Three (#3). Under general supervision of WVDEP Personnel, **TWO BAFFLE CURTAINS** will be installed (see attached specifications and/or plans). The cost of **CONCRETE HEADWALL NUMBER FOUR (#4) with SPLASH PAD, LINER, CONCRETE HEADWALL NUMBER FIVE (#5) with SPLASH PAD, SPILLWAY, AND BAFFLES** will be inclusive to the cost of pond number two (#2).
23. Construct **EXCAVATED POND NUMBER THREE (#3)** according to attached specifications. Pond must be lined to prevent water from leaching out. Install a **CONCRETE HEADWALL NUMBER SIX (#6) WITH SPLASH PAD** where water from Pond Number One (#1) enters pond adjacent to Grouted Rip-Rap spillway entrance from Pond Number Two (#2). A **GROUTED RIP-RAP SPILLWAY** will be constructed from Pond Number Three (#3) to Pond Number Four (#4). Under general supervision of WVDEP Personnel, **TWO BAFFLE CURTAINS** will be installed (see attached specifications and/or plans). The costs of **CONCRETE HEADWALL NUMBER SIX (#6) WITH SPLASH PAD, LINER, SPILLWAY, AND BAFFLES** will be inclusive to the cost of pond number three (#3).
24. Construct **EXCAVATED POND NUMBER FOUR (#4)** according to attached specifications. Pond must be lined to prevent water from leaching out. A **GROUTED RIP-RAP SPILLWAY** will be constructed from Pond Number Four (#4) to **CONCRETE HEADWALL NUMBER SEVEN (#7)**. Under general supervisions of WVDEP personnel, **TWO BAFFLE CURTAINS** will be installed (see attached specifications and/or plan). The cost of **SPILLWAY, LINER, AND BAFFLES** will be inclusive to the cost of pond number four (#4).
25. Install the **6" HDPE DR17 SLUDGE PUMPING SYSTEM LINES** from Ponds Numbers One (#1) and Two (#2) to Sludge Drying Cells Number One (#1) via **CONCRETE HEADWALL NUMBER NONE (#9)**. **PUMP LINES** will have **CLEANOUTS EVERY ONE HUNDRED FEET (100')**. All lines must be buried a minimum of **TWENTY INCHES (20") DEEP AND BEDDED IN SAND** as per attached specifications. The rest of the void will be filled with dirt. The ends of each pump line at pond (#1) and pond (#2) respectively shall be equipped with a flanged end with a **STAINLESS STEEL FLANGE RING WITH HDPE DR17 END CAPS AND STAINLESS STEEL BOLTS** which will be incidental to the cost of the pump lines (see attached specifications and/or plans). The cost of **STAINLESS STEEL FLANGE RINGS, END CAPS, AND STAINLESS STEEL BOLTS, CONCRETE ACCESS PADS and all 6" HDPE DR17 PIPES AND CLEANOUTS** will be inclusive to the cost of sludge pumping system lines.

BUYER	PAGE	REQ. OR PO NO.
CB-23	015	DEP 13007
SPENDING UNIT		
WEST VIRGINIA DEPARTMENT OF ENVIRONMENTAL PROTECTION/OFFICE OF SPECIAL RECLAMATION		

WV-36a STATE OF WEST VIRGINIA  
REV. 1/29/02 PURCHASING CONTINUATION SHEET  
VENDOR:

26. Construct **SLUDGE DRYING CELL NUMBER ONE (#1)** to receive sludge pumped from TREATMENT PONDS NUMBERS ONE (#1) AND TWO (#2). Construct **CONCRETE HEADWALL NUMBER NINE (#9) WITH SPLASH PAD** approximately TWENTY FEET (20') in length, where pipes from treatment ponds one (1) and two (2) discharge into Cell Number One (#1). An **UNDERDRAIN SYSTEM**, constructed of **PERFORATED 6" HDPE DR17 PIPE** will be installed to convey water from Cell Number One (#1) to **SOLID SIX INCH (6") HDPE DR17 DRAIN LINE**. Install **SOLID SIX INCH (6") HDPE DR17 DRAIN LINE** to collect water from perforated six inch (6") under drain line in drying cell number one (#1) and convey it to V-Ditch Number two (#2). Install a **SIX INCH (6") STAINLESS STEEL KNIFE VALVE AND VALVE BOX** on **SOLID SIX INCH (6") HDPE DR17 DRAIN LINE**. A **GROUTED RIP-RAP SPILLWAY** will be constructed to convey water from Cell Number One (#1) to Cell Number Two (#2) (see attached specifications and/or plans). The cost for the **CONCRETE HEADWALL NUMBER NINE (#9) WITH SPLASH PAD, SPILLWAY, and UNDERDRAIN SYSTEM INCLUDING SOLID SIX INCH (6") DRAIN LINE, STAINLESS STEEL KNIFE VALVE AND VALVE BOX** will be inclusive to the cost for drying cell number one (#1). \*\*Prior to payment of sludge drying cell number one (#1), cell shall be filled completely with water to test for leaks.
27. Construct **SLUDGE DRYING CELL NUMBER TWO (#2)** in line with Sludge Drying Cell Number One (#1). An **UNDERDRAIN SYSTEM** constructed of **PERFORATED 6" HDPE DR17 PIPE**, with a **SOLID SIX INCH (6") CONVEYANCE PIPE** to convey water via a **SIX INCH (6") STAINLESS STEEL KNIFE VALVE** which will then connect to the **SOLID SIX INCH (6") DRAIN LINE**. Construct **CONCRETE HEADWALL NUMBER TEN (#10)** and install **TWELVE INCH (12") HDPE DR17 OVERFLOW PIPE** that will convey water from Drying Cell Number Two (#2) to V-Ditch Number two (#2). The Cost of the 12" HDPE DR17 overflow pipe, Perforated 6" HDPE DR17 Under drain Pipes, Six Inch Stainless Steel Knife Valve, and Concrete Headwall number ten (#10) will be inclusive to the cost of Sludge Drying Cell Number (#2) (see attached specifications and/or plans). \*\*Prior to payment of sludge drying cell number two (#2), cell shall be filled completely with water to test for leaks.
28. Construct approximately **ONE THOUSAND LINEAR FEET (1,000')** of **AQUA-FIX ACCESS ROAD** from the existing bonded road through the gate at pond number four (#4) to the aqua-fix unit. A truck turn-around, in addition to the road width, shall be provided near aqua-fix unit. Road will have guard rail installed along outer edge of entire length of road. The entire base will be covered with a **WOVEN FILTER FABRIC** prior to rock placement. Install approximately **TWENTY (20') FEET OF TWELVE (12") INCH HDPE DR 17 PIPE WITH CONCRETE HEADWALL NUMBER SEVEN (#7) WITH WINGWALLS AND CONCRETE HEADWALL NUMBER EIGHT (#8)** in Pond Number Four (#4) spillway area of access road. The cost of pipe, concrete headwall seven (#7) with wingwall, guard rail, and concrete headwall number eight (#8) is inclusive to the cost of Aqua-Fix Access Road (see attached specifications and/or plans).
29. **INSTALL** approximately **FIVE HUNDRED (500) LINEAR FEET OF HAYBALE DIKE** as shown on plan view map and as directed by WVDEP site personnel
30. Remove all junk and debris from site and dispose of properly. **\*Documentation of proper disposal must be provided, with invoice.**
31. **REGRADE AND REVEGATE APPROXIMATELY 2 ACRES** using standard seed and fertilizer mixture with agricultural lime applied at a rate of three (3) tons per acre (see attached specifications and/or plans).
32. Install approximately **NINETEEN HUNDREED (1900') LINEAR FEET OF FORTY-EIGHT INCH (48") WIRE MESH FENCING, WITH TWO STRANDS OF BARBED WIRE ON TOP**, around Site Two. **TWO (2) GATES** will be installed at areas designated on Site 2 Treatment Plan View attachment. The two gates, fence wire, and posts will be inclusive the cost of the fence (see attached specifications and/or plans).
33. Construction Stakeout will be required for all ponds, raw water pond, sludge drying cells and the water treatment facility. Stakeout shall consist of the physical placement of stakes all four (4) corners of each pond, water treatment facility, and sludge drying cell prior to beginning of construction. As constructed profiles of all ponds, water treatment facility, and sludge drying cells will be required upon completion of construction each individual structure. This will be done to

WV-36a STATE OF WEST VIRGINIA  
 REV. 1/29/02 PURCHASING CONTINUATION SHEET  
 VENDOR:

insure proper elevations of all listed structures for water flow (cost of construction stakeout will be inclusive to Bid Item (#4).

34. Existing access roads will be graded and maintained through the life of the contract. All existing roads will be left in usable condition.

**SITE THREE**

35. Construct a **WETLAND** to passively treat seep(s) located at overburden storage area. The lower end of the overburden storage area must be excavated/graded and reworked such that six to ten (6"-10") inches of water is impounded below the discharge elevation of spillway. Hay bale dikes are to be staked from the inner berm of existing access road to opposing hillside where they will be keyed in such that flows are forced to circulate through entire surface area. Hay bales should be staked in double rows (2 hay bales back to back) approximately twenty (20') feet apart with opposite ends open to hillside to allow flows to pass. Cattails are to be planted between hay bale dike rows on four (4') foot centers (See attached site plan(s) A; B; C; and attached typical/specifications). Construct approximately **ONE HUNDRED (100') LINEAR FEET OF LIMESTONE RIP-RAP WETLAND SPILLWAY**. Cost of haybales, haybale placement, aquatic vegetation, i.e. cattails, stone and spillway construction will be inclusive to the cost of the wetland (see attached specifications and/or plans).

36. **INSTALL** approximately **ONE HUNDRED (100) LINEAR FEET OF HAYBALE DIKE** as shown on plan view map and as directed by WVDEP site personnel.

37. Remove all junk and debris from site and dispose of properly. **\*Documentation of proper disposal must be provided, with invoice.**

38. **REGRADE AND REVEGATE APPROXIMATELY 1 ACRE** using standard seed and fertilizer mixture with agricultural lime applied at a rate of three (3) tons per acre (see attached specifications and/or plans).

39. Existing access roads will be graded and maintained through the life of the contract. All existing roads will be left in usable condition.

I David Martin, the undersigned, hereby certify <sup>1</sup> that this Reclamation Plan is correct and shows to the best of my knowledge and belief all the information required by the surface mining laws of the State of West Virginia. The source of information was the approved mining and reclamation plan contained in the forfeited surface mine permit, existing site conditions and information contained in the WV DEP, Inspection and Enforcement files.

*David L. Martin*  
 Registered Professional Engineer WV No. 7202 Date: August 17, 2007



<sup>1</sup> The term "certify" as used herein is defined as follows: An engineer's certification of conditions is a declaration of professional judgment. It does not constitute a warranty or guarantee, either expressed or implied.

BUYER CB-23	PAGE 017	REQ. OR PO NO. DEP 13007
SPENDING UNIT WEST VIRGINIA DEPARTMENT OF ENVIRONMENTAL PROTECTION/ OFFICE OF SPECIAL RECLAMATION		

WV-36 STATE OF WEST VIRGINIA  
REV. 1/29/02 PURCHASING CONTINUATION SHEET  
VENDOR:

ITEM NO.	QUANTITY	DESCRIPTION	UNIT PRICE	AMOUNT
<b>BID SCHEDULE</b>				
PERMIT NAME: <u>COAL-X INC.</u>				
PERMIT NUMBER(S): <u>UO-396</u>				
<b><u>WATER QUALITY ABATEMENT</u></b>				
1.0	LUMP SUM	<u>MOBILIZATION/DEMOBILIZATION</u> (5% Total Bid Maximum for this permit)	LUMP SUM	\$ _____
2.0	LUMP SUM	<u>SPILL CONTAINMENT AREA</u> (S.C.A.)(\$1,000.00 Maximum Bid for this permit)	LUMP SUM	\$ _____
3.0	LUMP SUM	<u>HAULROAD/ACCESS ROAD</u> (5% Total Bid Maximum for this permit)	LUMP SUM	\$ _____
4.0	LUMP SUM	<u>CONSTRUCTION STAKEOUT</u> (Limited to 5% Total Bid For This Permit)	LUMP SUM	\$ _____
5.0	LUMP SUM	<u>REGRAIDING AND TOPSOILING</u>	LUMP SUM	\$ _____
<b><u>SITE NUMBER ONE (#1)</u></b>				
6.0		<u>REVEGETATION</u>		
6.1	LUMP SUM	<u>AGRICULTURAL LIME</u>	LUMP SUM	\$ _____
6.2	LUMP SUM	<u>FERTILIZER</u>	LUMP SUM	\$ _____
6.3	LUMP SUM	<u>MULCH</u>	LUMP SUM	\$ _____
6.4	LUMP SUM	<u>VEGETATIVE SPECIES</u>	LUMP SUM	\$ _____
7.0	500 LF	<u>HAYBALE DIKE</u> (max bid \$5.00 per LF)	per LF	\$ _____
8.0		<b><u>RECONSTRUCTED PERMANENT ACCESS ROADS</u></b>		
8.1	LUMP SUM	<u>MINE BENCH/TRAIL</u>	LUMP SUM	\$ _____
8.2	LUMP SUM	<u>MINE ACCESS ROAD</u>	LUMP SUM	\$ _____
9.0	LUMP SUM	<u>MINE DISCHARGE CONVEYANCE PIPE</u>	LUMP SUM	\$ _____

WV-36 STATE OF WEST VIRGINIA  
 REV. 1/29/02 PURCHASING CONTINUATION SHEET  
 VENDOR:

ITEM NO.	QUANTITY	DESCRIPTION	UNIT PRICE	AMOUNT
10.0	LUMP SUM	<u>STRUCTURE AND/OR DEBRIS REMOVAL</u>	LUMP SUM	\$ _____
11.0		<u>OPEN LIMESTONE CHANNEL</u>		
11.1	LUMP SUM	<u>V-DITCH #1</u>	LUMP SUM	\$ _____
11.2	LUMP SUM	<u>GROUTED TRAPEZOIDAL CHANNEL #1</u>	LUMP SUM	\$ _____
12.0		<u>CONSTRUCT DROP INLET BOX</u>		
12.1	LUMP SUM	<u>DROP INLET BOX #1</u>	LUMP SUM	\$ _____
<b><u>SITE NUMBER TWO (#2)</u></b>				
13.0		<u>REVEGETATION</u>		
13.1	LUMP SUM	<u>AGRICULTURAL LIME</u>	LUMP SUM	\$ _____
13.2	LUMP SUM	<u>FERTILIZER</u>	LUMP SUM	\$ _____
13.3	LUMP SUM	<u>MULCH</u>	LUMP SUM	\$ _____
13.4	LUMP SUM	<u>VEGETATIVE SPECIES</u>	LUMP SUM	\$ _____
14.0	500 LF	<u>HAYBALE DIKE</u> (max bid \$5.00 per LF)	per LF	\$ _____
15.0		<u>CONSTRUCTED WATER TREATMENT STRUCTURES</u>		
15.1	LUMP SUM	<u>RAW WATER POND</u>	LUMP SUM	\$ _____
15.2	LUMP SUM	<u>POND 1</u>	LUMP SUM	\$ _____
15.3	LUMP SUM	<u>POND 2</u>	LUMP SUM	\$ _____
15.4	LUMP SUM	<u>POND 3</u>	LUMP SUM	\$ _____
15.5	LUMP SUM	<u>POND 4</u>	LUMP SUM	\$ _____
16.0		<u>CONSTRUCTED PERMANENT ACCESS ROADS</u>		

WV-36 STATE OF WEST VIRGINIA  
 REV. 1/29/02 PURCHASING CONTINUATION SHEET  
 VENDOR:

ITEM NO.	QUANTITY	DESCRIPTION	UNIT PRICE	AMOUNT
16.1	LUMP SUM	<u>AQUA-FIX ACCESS ROAD</u>	LUMP SUM	\$ _____
17.0		<u>CONSTRUCT SLUDGE DRYING CELLS</u>		
17.1	LUMP SUM	<u>SLUDGE DRYING CELL 1</u>	LUMP SUM	\$ _____
17.2	LUMP SUM	<u>SLUDGE DRYING CELL 2</u>	LUMP SUM	\$ _____
17.3	LUMP SUM	<u>SLUDGE PUMPING SYSTEM LINES</u>	LUMP SUM	\$ _____
18.0	LUMP SUM	<u>CONSTRUCTED FENCE AND GATES</u>	LUMP SUM	\$ _____
19.0		<u>OPEN LIMESTONE CHANNEL</u>		
19.1	LUMP SUM	<u>V-DITCH #2</u>	LUMP SUM	\$ _____
20.0	LUMP SUM	<u>GROUTED TRAPEZOIDAL CHANNEL #2</u>	LUMP SUM	\$ _____
21.0		<u>AQUA-FIX TREATMENT FACILITY</u>		
21.1	LUMP SUM	<u>FOUNDATION AND STRUCTURAL ELEMENTS</u>	LUMP SUM	\$ _____
21.2	LUMP SUM	<u>SUB-FOUNDATION PREPARATION</u>	LUMP SUM	\$ _____
21.3	LUMP SUM	<u>CRANE/COMPARABLE EQUIPMENT</u>	LUMP SUM	\$ _____
21.4	LUMP SUM	<u>DOSING UNIT AND SILO</u>	LUMP SUM	\$ _____
21.5	LUMP SUM	<u>WATER INTAKE LINES TO DRIVE UNIT</u>	LUMP SUM	\$ _____
22.0		<u>SITE NUMBER THREE (#3)</u>		
22.0		<u>REVEGETATION</u>		
22.1	LUMP SUM	<u>AGRICULTURAL LIME</u>	LUMP SUM	\$ _____
22.2	LUMP SUM	<u>FERTILIZER</u>	LUMP SUM	\$ _____
22.3	LUMP SUM	<u>MULCH</u>	LUMP SUM	\$ _____



BUYER CB-23	PAGE 020	REQ. OR PO NO. DEP 13007
SPENDING UNIT WEST VIRGINIA DEPARTMENT OF ENVIRONMENTAL PROTECTION/ OFFICE OF SPECIAL RECLAMATION		

WV-36 STATE OF WEST VIRGINIA  
 REV. 1/29/02 PURCHASING CONTINUATION SHEET  
 VENDOR:

ITEM NO.	QUANTITY	DESCRIPTION	UNIT PRICE	AMOUNT
22.4	LUMP SUM	<u>VEGETATIVE SPECIES</u>	LUMP SUM	\$ _____
23.0	100 LF	<u>HAYBALE DIKE</u> (max bid \$5.00 per LF)	per LF	\$ _____
24.0	LUMP SUM	<u>STRUCTURE AND/OR DEBRIS REMOVAL</u>	LUMP SUM	\$ _____
25.0	LUMP SUM	<u>CONSTRUCT WETLAND</u>	LUMP SUM	\$ _____
<b><u>TOTAL FOR PERMIT UO-396</u></b>			TOTAL	\$ _____

BUYER CB-23	PAGE 021	REQ. OR PO NO. DEP 13007
SPENDING UNIT WEST VIRGINIA DEPARTMENT OF ENVIRONMENTAL PROTECTION/ OFFICE OF SPECIAL RECLAMATION		

WV-36a STATE OF WEST VIRGINIA  
REV. 1/29/02 PURCHASING CONTINUATION SHEET  
VENDOR:

---

## BID ITEM TECHNICAL SPECIFICATIONS

### 1.0 MOBILIZATION/DEMOBILIZATION

This work shall consist of the performance of construction preparatory operations, including the movement of personnel, equipment and other facilities to the project site necessary to begin work on a substantial phase of the contract. It shall also include installation of a project sign according to the attached specification and all demobilization activities. No deduction will be made nor will any increase be made in the Lump Sum Mobilization/Demobilization Item Amount, regardless of decreases or increases in the final total contract amount or for any other cause. (Shall not exceed 5% of the Total Bid for this permit.)

Prior to demobilization, an inspection is required to be conducted by the Department of Environmental Protection's Specialist and the contractor to insure compliance with contract performance.

### 2.0 SPILL CONTAINMENT AREA (S.C.A.)

Spill containment measures shall be used for fuel and lubricant storage areas. All containers, barrels, buckets, cans, etc., are to be legally disposed of off site. Used lubricants are to be disposed of according to state law to minimize pollution to the local surface and ground water supplies. Spills are the responsibility of the contractor and need immediate clean up and maintained at no expense to the State. This S.C.A. shall be constructed in accordance with the typical drawing specification. (See Attachment) Alternate containment measures will be considered for approval by the Program Manager if acceptable results can be shown. Fuel tanks manufactured with secondary containment are acceptable. Minimum secondary containment is 110 percent. (Bid limited to \$1,000.00 maximum)

### 3.0 HAULROAD/ACCESS ROAD

The contractor shall maintain and/or construct haul-road/access road during the reclamation process to provide access on a well drained surface. The access road to and on the reclamation site shall be graded, sloped, and maintained to drain to provide a road surface free of excessive mud and standing waters at all times while work is in progress. Roads which are below the project shall be guarded against rolling rock and free there from. Dust-control measures may be necessary if hauling creates airborne material. Snow removal to be included in this item.

BUYER CB-23	PAGE 102	REQ. OR PO NO. DEP 13007
SPENDING UNIT WEST VIRGINIA DEPARTMENT OF ENVIRONMENTAL PROTECTION/ OFFICE OF SPECIAL RECLAMATION		

WV-36a STATE OF WEST VIRGINIA  
REV. 1/29/02 PURCHASING CONTINUATION SHEET  
VENDOR:

---

#### **4.0 CONSTRUCTION STAKEOUT**

This work shall consist of furnishing, placing, and maintaining construction layout stakes necessary for the proper execution of the work required under the Contract, production of as-built drawings, and of performing topographic surveys and obtaining surveyed cross-sections for accurate determination of pay item quantities. Construction stakeout shall be under the supervision of a Registered Professional Engineer or Licensed Land Surveyor and all drawings signed and/or sealed by such. The Department shall provide control points for initial layout of the work. (Shall not exceed 5% of the total bid for this permit.)

##### **A. MATERIALS**

Wooden stakes and other marking materials as described herein.

##### **B. CONSTRUCTION METHODS**

B(1). The Contractor shall locate and reference the construction baseline within the limits of work and shall establish bench marks for the proper layout of the work. The Contractor shall make all calculations involved and shall furnish and place all layout stakes or markers.

B(2). The Contractor shall provide field forces and shall set all additional stakes needed, such as offset stakes, reference point stakes, slope stakes, pavement and grade stakes, stakes for roadway drainage, sub-drains, trench drains, fence, culverts or other structures, supplementary bench marks and any other horizontal or vertical controls necessary to secure a correct layout of the work.

B(3). The location of the slope stakes for grading work shall be determined by a calculation method. Elevation control hubs with guard stakes shall be set, at a convenient distance outside the construction limits, and at all stations where original cross-sections are taken. The centerline station, the distance from centerline, and the elevation of the hub shall be recorded on each guard stake.

B(4). The Contractor shall be responsible for having the layout staking work conform to the lines, grades, elevations, and dimensions called for on the Plans. The Contractor shall be responsible for reporting any discrepancies to the Supervisor for clarification. Minor adjustments to suit field conditions are anticipated and it shall be the responsibility of the Supervisor to make decisions regarding adjustments.

B(5). The Contractor shall survey cross-sections and/or profiles in areas of on-site excavation, off-site excavation, and ditch construction as necessary to permit accurate determination of pay item quantities. The locations and spacing of cross-sections and profiles shall be as approved or as directed by the Supervisor. Cross-sections and profiles shall be surveyed:

- a) prior to any excavation
- b) at the completion of excavation

B(6). The Contractor shall furnish a copy of his survey records for the Supervisor and for the D.E.P.'s permanent file. These records shall be furnished as they are completed during the progress of the work. Any inspection or checking of the Contractor's layout by the Supervisor and the acceptance of all or any part of it shall not relieve the Contractor of his responsibility to secure the proper dimensions, grades and elevations of the required work.

BUYER CB-23	PAGE 023	REQ. OR PO NO. DEP 13007
SPENDING UNIT		
WEST VIRGINIA DEPARTMENT OF ENVIRONMENTAL PROTECTION/ OFFICE OF SPECIAL RECLAMATION		

WV-36a STATE OF WEST VIRGINIA  
REV. 1/29/02 PURCHASING CONTINUATION SHEET  
VENDOR:

**5.0 REGRAIDING AND TOPSOILING**

Concurrent regrading and topsoiling shall immediately follow backfilling and shall: distribute topsoil or the best available material to support vegetation as identified by the Department of Environmental Protection contact person, on the surface of the backfill in a smooth, uniform manner; include the elimination of all rills and gullies, the construction of sediment control sumps, the removal of sediment control sumps, the grading of spoil and/or fill materials. Surface shall be free of all rock exceeding six (6) inches in diameter and shall be tracked, track to track. Topsoil presently stockpiled on site shall be preserved and spread on the fill surface. In the absence of stockpiled topsoil, material which can be used as a topsoil substitute shall be identified, segregated, and stockpiled for spreading on the surface. If necessary to manufacture fines, mechanical treatment to pulverize the surface layer shall be required. Regrading and topsoiling shall be conducted prior to and in preparation for the revegetation item.

**6.0, 13.0, 22.0 REVEGETATION**

The actual seeding date, within the work performance period, shall be at the discretion of the contractor, but a permanent vegetative cover must be established. Verification of materials used shall be required for payment. Seed bed preparation, unless otherwise approved, shall be conducted by industrial disks or tracking with heavy equipment with cleat marks across slope and parallel to the final contours. The surface shall be tracked, track to track. Seeding shall commence after seed bed preparation on a loose and uncompacted soil and with the approval of the Department of Environmental Protection. Contractor shall provide equipment as necessary to secure approval of the seedbed. Revegetation activities shall be carried out in a continuous, concurrent, timely and uniform manner. Failure to do this may result in nonpayment for portions of or the entire Revegetation item. Hydroseeding or broadcast seeding with the approved species is acceptable. The application rate may be increased but the ratio is to remain constant, but no additional monetary compensation will be awarded. Areas outside the limits of construction, disturbed by the contractor shall be revegetated by the contractor at no expense to DEP. Water utilized for hydroseeding shall be free of injurious or other toxic substances harmful to plant life. The source of water is subject to the approval of the DEP Specialist. It shall be the vendor's responsibility to repeat the procedures under REVEGETATION until such time as a permanent vegetation is established. The acreage quantities in this contract are for bidding purposes only.

A warranty period of one (1) year shall commence upon completion and payment of the revegetation item of the contract. No payment will be made for additional seeding necessary to comply with warranty requirements. The warranty period will be extended for one (1) year from the date of the last augmented seeding done by the contractor. The performance bond and labor and materials bond shall remain in effect throughout the warranty period. The Standards for Evaluating Vegetative Cover as presented in Title 38, CSR2, Section 9 of the West Virginia Surface Mining Reclamation Regulations will apply.

Equipment for the retracking/scarification to eliminate rills and gullies shall be mobilized and utilized to produce slopes consistent with the regrading and topsoiling bid item prior to warranty reseeding. No additional payment will be made by DEP for this warranty work.

**6.1, 13.1, 22.1 AGRICULTURAL LIME**

Unless otherwise specified, all lime used for revegetation shall be registered with the West Virginia Department of Agriculture, have an 85% minimum calcium carbonate equivalent, and meet the fineness classification no larger than that for ground. The following fineness classifications or combinations of are acceptable:

- Pulverized - 100% passing a U.S. Standard 20 mesh sieve
  - 70% passing a U.S. Standard 100 mesh sieve
- Ground - 90% passing a U.S. Standard 20 mesh sieve
  - 50% passing a U.S. Standard 60 mesh sieve
  - 35% passing a U.S. Standard 100 mesh sieve

WV-36a STATE OF WEST VIRGINIA  
 REV. 1/29/02 PURCHASING CONTINUATION SHEET  
 VENDOR:

Use of blends and low-grade agricultural liming materials shall require prior approval. Lime shall be spread as soon as possible after delivery to site. Lime shall be applied evenly and uniformly distributed over the treated area. Lime shall be thoroughly mixed into the soil material. Lime subjected to adverse conditions before spreading will be deemed unacceptable. Failure to complete this phase shall result in nonpayment of this bid item.

Lime Applied at 3 ton/acre.

**6.2, 13.2, 22.2 FERTILIZER**

Fertilizer rates given for REVEGETATION are for 1,000 lbs. of 10-20-20 per acre. These rates are minimum and for bidding purposes.

Fertilizer shall be applied evenly and uniformly distributed over the treated area. Common complete fertilizers which meet the minimum standards are acceptable.

**6.3, 13.3, 22.3 MULCH**

Acceptable mulch for this project is wood fiber, hay, or straw.

Mulch: Wood Fiber @ 1.0 ton/Acre

Hay or straw mulch may be substituted at a rate of 2 tons/Acre

**6.4, 13.4, 22.4 VEGETATIVE SPECIES**

Seeding rate required is for pure live seed (pls) in pounds per acre. The use of annuals or cover crops will not be considered for vegetative success.

**SOUTH MIX**

<u>VEGETATIVE SPECIES</u> <sup>1</sup>	<u>RATE/ACRE</u> <sup>1</sup>
Orchard Grass	@ 30 lbs/acre
Birdsfoot Trefoil <sup>2</sup>	@ 15 lbs/acre
Red Top	@ 10 lbs/acre
Switchgrass	@ 10 lbs/acre
Perennial Ryegrass	@ 10 lbs/acre
Alskike Clover <sup>2</sup>	@ 5 lbs/acre
Foxtail Millet <sup>4</sup>	@ 12 lbs/acre
Wheat or Rye <sup>5</sup>	@ 50 lbs/acre
Black Locust <sup>3</sup>	@ 1 lbs/acre

1. Seeding rate required is for pure live seed in pounds (lbs) per acre.
2. Herbaceous legumes must be treated with the appropriate bacterium before seeding.
3. This species to be utilized only for woodland post-mining land-use projects.
4. Spring Mix
5. Fall Mix

BUYER CB-23	PAGE 025	REQ. OR PO NO. DEP 13007
SPENDING UNIT WEST VIRGINIA DEPARTMENT OF ENVIRONMENTAL PROTECTION/ OFFICE OF SPECIAL RECLAMATION		

WV-36a STATE OF WEST VIRGINIA  
 REV. 1/29/02 PURCHASING CONTINUATION SHEET  
 VENDOR:

**7.0, 14.0, 23.0 HAYBALE DIKE**

Disturbed areas which have storm water runoff which does not pass through a sediment control structure shall utilize the following method to manage storm water runoff:

1. All bales shall be placed on the contour.
2. Bales shall be placed in a row with ends tightly abutting the adjacent bales.
3. Bales shall be securely anchored in place by stakes driven through the bales. The first stake in each bale shall be driven toward previously laid bale to force the bales together. Construction of sumps (paid under bid Item 5) may become necessary to supplement the hay bale dikes.

**8.1, 8.2, 16.1 ROAD ESTABLISHMENT**

This work shall consist of the reconstruction of the access road through the site. Road shall be constructed on a well drained base, compacted to 95% standard proctor, with a road surface of six (6) inches deep of a well blended gradation of three (3) inch crusher run limestone compacted to 95% standard proctor. The road surface shall be twelve (12) feet wide and be graded to drain. (See plans and specifications)

**8.1, 8.2. and 16.1 ENGINEERING FABRIC (FILTER FABRIC)**

General: Engineering fabric shall be of the nonwoven or woven type and consists of a pervious sheet of polymeric fibers oriented into a stable network such that the fibers retain their relative positions with respect to each other. The fabric shall be mildew and rot resistant, and shall be free of any treatment or coating which might detrimentally alter its physical properties. The fabric, including the edges or the ends of the rolls, shall be protected during shipment and storage from ultra violet rays, temperature greater than 140° F and contaminants such as mud, dust, etc.

General: Engineering fabric shall be of the nonwoven or woven type and consists of a pervious sheet of polymeric fibers oriented into a stable network such that the fibers retain their relative positions with respect to each other. The fabric shall be mildew and rot resistant, and shall be free of any treatment or coating which might detrimentally alter its physical properties. The fabric, including the edges or the ends of the rolls, shall be protected during shipment and storage from ultra violet rays, temperature greater than 140° F and contaminants such as mud, dust, etc.

**Engineering Fabric for Subsurface Drainage and Separation:**

The engineering fabric for subsurface drainage shall be the nonwoven type and the engineering fabric for separation may be the nonwoven or woven type meeting the following requirements:

<u>PROPERTY</u>	<u>MINIMUM REQUIRED VALUE</u>	<u>TEST METHOD</u>
Permeability	1 x 10 <sup>2</sup> cm/sec	AH, 20 cm. to 10 cm.
Equivalent Opening Size <sup>2</sup>	#50 U.S. Std. Sieve	COE CW-02215
Grab Tensile Strength <sup>3</sup>	100 lbs.	ASTM D-1682
Grad Tensile Elongation <sup>3</sup>	30%	ASTM D-1682
Puncture Strength <sup>4</sup>	35 lbs.	ASTM D-3787
Burst Strength	130 psi	ASTM D-3786
Trapezoid Tear	35 lbs.	ASTM D-1117

BUYER CB-23	PAGE 026	REQ. OR PO NO. DEP 13007
SPENDING UNIT WEST VIRGINIA DEPARTMENT OF ENVIRONMENTAL PROTECTION/ OFFICE OF SPECIAL RECLAMATION		

WV-36a STATE OF WEST VIRGINIA  
REV. 1/29/02 PURCHASING CONTINUATION SHEET  
VENDOR:

1. All numerical values represent minimum average roll values (i.e., any roll in a lot shall meet or exceed the minimum value in the table)
2. No greater opening than a #50 U.S. Sieve.
3. Minimum in weakest principal direction.
4. Tension testing machine with ring clamp, steel ball replaced with 5/16 inch diameter solid steel cylinder with either a flat or hemispherical tip centered within the ring clamp

**9.0, 12.1, 17.3, and 19.1, HIGH DENSITY POLYETHYLENE PIPE (HDPE)**

Furnish all labor, equipment, and materials to excavate, install, and backfill all piping as indicated on the attached typical plans, cross-sections, specifications, and as discussed at the Pre-Bid Showing. This includes all piping and cleanouts through connections of Drop Inlet Box One (1), between all ponds, and all HDPE DR17 pipe associated with sludge pumping lines and Drying Cells One (1) and Two (2). All polyethylene pipe and fittings, including but not limited to cleanouts, shall be manufactured from high-density compounds in accordance with ASTM D 3350. Install all piping to the general alignment as shown on the drawings. Installation shall be in a manner minimizing the number of joints. All HDPE DR17 pipe shall be fused on site and conform to ASTM D 3261. Pipe backfill material in contact with pipe shall consist of select fill or sand. Piping will be paid for at the contract lump sum price. Pipe trench excavation and backfill is incidental to this work, and no separate payment will be made for backfill.

**10.0 and 24.0 STRUCTURE AND/OR DEBRIS REMOVAL**

All existing man-made items particular to the site and not to be utilized in the total reclamation of this site shall be demolished (if necessary) and disposed of in a legal manner. All iron, steel, aluminum, or any other metal, plastic, or any other man made material, including but not limited to I-Beams, Angle Iron, Channel Iron, Corrugated Metal, Flat Metal, Floc Drums, Grease Drums, Pipe or Conduit is to be dismantled, removed and properly disposed of off site and according to state, local, and federal requirements. These items are identified in the scope of work.

**11.0 and 19.0 OPEN LIMESTONE CHANNEL**

Provide all materials, excavate and construct Ditch as indicated on the attached typical plans, cross-section, specifications, and as discussed at the Pre-Bid Showing. Limestone riprap to be used. Ditches shall be free draining upon completion of construction. Length of ditch may be adjusted to meet on site conditions. (See rip-rap specifications)

**11.0, 19.0 and 20.0 RIP-RAP DITCH**

Provide all materials, excavate and construct Ditch as indicated on the attached typical plans, cross-section, specifications, and/or discussions at the Pre-Bid Showing. Ditches shall be free draining upon completion of construction. Length of ditch may be adjusted to meet on site conditions. No separate payment for construction stakeout will be made.

**Rip-Rap (Standard)**

Unless otherwise noted shall be durable rock placed in a 1.5 foot thick blanket. Twenty five percent (25%) of the rock will be of 18 inches or larger, the remaining seventy-five percent (75%) shall be well graded material (minimum 3 inches to maximum 15 inches) of sufficient rock small enough to fill the voids between the larger rock. Shale shall not be used for riprap. If riprap suitability is questionable, durability shall be determined by the sodium sulphate test ASTM C 88/AASHTO T 104-77. Open limestone channels shall use limestone riprap.

BUYER CB-23	PAGE 127	REQ. OR PO NO. DEP 13007
SPENDING UNIT WEST VIRGINIA DEPARTMENT OF ENVIRONMENTAL PROTECTION/ OFFICE OF SPECIAL RECLAMATION		

WV-36a STATE OF WEST VIRGINIA  
REV. 1/29/02 PURCHASING CONTINUATION SHEET  
VENDOR:

### **15.0, 17.1 and 20.0 GROUTED RIPRAP CHANNEL**

Unless otherwise noted shall be durable rock placed in a 1.5 foot thick blanket. Twenty-five percent (25%) of the rock will be 18 inches with 0% of the rock 24" or larger. Ten percent (10%) of the rock shall be no smaller than six (6) inches. The remaining sixty-five percent (65%) of the rock shall be well graded between six (6) and eighteen (18) inches. In-place rammed or hammered rock shall be acceptable.

The grout filler shall be composed of a mixture of one part portland cement and three parts sand, mixed with water to produce a workable consistency. The stone shall be thoroughly wet immediately before grout is applied. As soon as the grout is deposited on the surface, it shall be thoroughly worked into the joints. The stones shall then be brushed, so that their top surfaces are exposed.

### **12.1 DROP INLET BOXES**

This shall include furnishing all materials, equipment, and labor necessary to install drop inlet boxes in accordance with the applicable specifications, drawings, and details and the materials and construction methods of Section 605 of the WV DOT Standard Specifications Roads and Bridges. All concrete and reinforcing steel for inlet boxes shall meet the requirements of Section 601 and 602 respectively. Pre-cast inlets shall conform to 715.19. Any other materials used shall meet the requirements of Section 700. Joints shall be full mortar joints and shall not be more than one half (1/2)" inch wide. Concrete surfaces shall be cured in accordance with 601.12. Pipe sections shall be flush on inside of the structure wall and project outside sufficiently for proper connection with the next pipe section. Masonry shall fit neatly and tightly around the pipe.

The contractor shall provide such excavation, backfilling, bracing, dewatering equipment and operations, and other materials, labor, or equipment needed to properly install the structure in accordance with the specifications and good construction practice, without any separate payment for such. Upon completion, each structure shall be cleaned of any accumulations of silt, debris, or foreign matter of any kind and shall be kept clear of such accumulation until final acceptance of the work. Excavation and backfill shall be done in accordance with Section 212 of WV DOT Standard Specifications Roads and Bridges.

### **18.0 CONSTRUCTED FENCE**

The fence is to provide limited access and security to the water treatment facilities. NOTE: See contract technical specifications and fencing details.

## **21.0 AQUA FIX WATER TREATMENT FACILITY**

### **21.1 FOUNDATION AND STRUCTURAL ELEMENTS**

The foundation shall be Type II Sulfate Resistant Concrete and shall conform to the dimensions and shape shown in the drawings and specifications. Include all reinforcing bars with supports and anchor bolts as necessary. Adverse weather conditions shall be avoided during completion of the item. The relation of the elevation to the water source is shown in ATTACHMENT. WVDOH Specifications for concrete shall apply to this item.

Excavation for the foundation is incidental to this item with no separate payment being made.

The channel in the foundation is to receive water from drop inlet box two (2) by means of a six (6) inch HDPE DR17 pipe feeding into a grouted rip rap channel which dumps into the foundation channel. After treatment with the reagent the water will exit the trough into V-ditch Two(2). V-ditch Two (2) will direct the water to a headwall and into the settling ponds.

Structural elements shall be warranted by the manufacturer to withstand static and dynamic loads as commonly accepted by industry.

This item shall be paid for as a lump sum item after completion of the foundation and acceptance by the DEP.



BUYER CB-23	PAGE 028	REQ. OR PO NO. DEP 13007
SPENDING UNIT		
WEST VIRGINIA DEPARTMENT OF ENVIRONMENTAL PROTECTION/ OFFICE OF SPECIAL RECLAMATION		

WV-36a STATE OF WEST VIRGINIA  
REV. 1/29/02 PURCHASING CONTINUATION SHEET  
VENDOR:

**21.2 SUB-FOUNDATION PREPARATION**

The sub-foundation shall be cut in to remove all fill (unconsolidated material) down to a competent foundation as determined by the on site DEP representative. The sub-foundation shall be constructed in substantial conformity to the plans and/or specifications (See ATTACHMENT). The DEP on site representative shall be present during this work.

The sub-foundation material shall be suitable material free of particles larger than three (3) inches in diameter and consist of granular material conforming to WVDOH specification 716.1.1.2. A bearing capacity of approximately six (6) tons per square foot should be obtained.

Compaction shall be performed with a suitable compactor to obtain approximately 98% Standard Proctor Density. Layers shall be six (6) inches or less in thickness before compaction is initiated. Moisture content of the fill material shall be controlled to obtain maximum compaction.

Payment for all of the work specified above shall be made based on the lump sum contract price.

**21.3 CRANE**

This shall include the furnishing of a crane of sufficient capacity to unload and erect the dosing unit/silo and steel enclosure building. The dosing unit/silo is estimated to weigh 3 tons and have an in-place height of approximately fifteen feet (15').

Payment for this work shall be made based on the lump sum contract and paid upon final acceptance by WV DEP.

**21.4 DOSING UNIT AND SILO**

This item includes all work necessary to purchase, install and initiate operation of an Aqua-Fix water powered dosing unit (Unit Type MSS-SM-OA-5 ). Unit shall be capable of delivering 110lbs/hr of CaO.

This item shall be subcontracted to:

Aqua-Fix, Water Treatment Systems.  
Michael Jenkins  
301 Maple Lane  
Kingwood WV 26537  
Telephone: (304) 329-1056.

A five (5) ton steel silo to store the reagent is required. The silo shall be equipped with an interior ladder, an exterior ladder with a protective cage and a lockable steel safety door, a steel safety fence around the top of the silo, a filler pipe to extend to the unloading port, a steel cone at the base of the silo to direct the discharge of the reagent through a steel flange which is sized and located to accommodate the reagent dispensing unit. Silo shall include a vent pipe to prevent pressure buildup during filling. An emergency pop off valve shall be included in case the vent pipe malfunctions. Pneumatic filling of the silo is to be utilized.

An insulated steel safety enclosure attached to the silo structure support system to protect the dosing unit from vandalism and weather is required. The wall thickness of the silo enclosure shall be equivalent to the steel used in the construction of the silo. The enclosure shall be equipped with a hinged, lockable steel door of sufficient size to facilitate removal of the dosing unit for repair and/or future replacement. The structure shall be fitted with a propane heating unit with a capacity to prevent freezing of the dosing unit during winter.

Painting of the silo and the steel security enclosure shall be done in accordance with WVDOH Specification 711. Preferred colors are green and/or tan. The dosing unit, silo, and filler pipe shall be designed to facilitate the use of Calcium Oxide (CaO) during the service life of the unit. This portion of the work shall include the initial filling and the start up of the unit, at the direction of the Program Manager, to confirm that all units function as intended. Any repairs and/or adjustments required to the unloading system and dosing unit to allow them to function as designed shall be performed at no cost to the DEP. The system shall be operated successfully for a one week period before acceptance by the DEP. All settling ponds, pipe system and rip rap spillways leading to and between them must be completed before testing is initiated. The Calcium Oxide shall be 1 ton in amount and delivered as scheduled by the on site DEP representative. Payment for all of the work specified above shall be made based on the lump sum contract price.

WV-36a STATE OF WEST VIRGINIA  
REV. 1/29/02 PURCHASING CONTINUATION SHEET  
VENDOR:

BUYER CB-23	PAGE 029	REQ. OR PO NO. DEP 13007
SPENDING UNIT WEST VIRGINIA DEPARTMENT OF ENVIRONMENTAL PROTECTION/ OFFICE OF SPECIAL RECLAMATION		

**21.5 WATER INTAKE TO DRIVE LINE**

A two (2) inch HDPE DR17 water line shall be provided to connect discharge stand pipe of raw water pond to the control valve on the dispensing unit and a valve for flushing the line. This two inch (2") HDPE DR17 line shall be fitted with a two inch (2") stainless steel knife valve located in a valve box used to shut of water supply. This two inch (2") HDPE DR 17 line shall also be fitted with a two inch (2") stainless steel transition to allow for connection to PVC dosing unit plumbing. Electrical conduit of sufficient size, with a wide sweep ell, shall be installed in the concrete foundation to allow two inch (2") HDPE DR 17 drive line to later be inserted through it into building. This conduit is to allow for insertion, removal, and future repairs. Payment for all of the work specified above shall be made based on the lump sum contract price.

**25.0 WETLAND**

Provide all materials, excavate, and construct Wetlands as indicated on the attached typical plans, cross-section, profile, specifications, and/or Pre-Bid Showing. Overall grade of wetland shall be in accordance with the drawings such that water freely drains from inlet through the illustrated pathway until it discharges through the limestone riprap wetland spillway. Obtain plants (cattails) from local source, if possible, and establish vegetation according to details/specifications. (See revegetation specifications.)

BUYER CB-23	DATE 10/30	REQ. OR PO NO. DEP 13007
SPENDING UNIT WEST VIRGINIA DEPARTMENT OF ENVIRONMENTAL PROTECTION/ OFFICE OF SPECIAL RECLAMATION		

WV-36a                      STATE OF WEST VIRGINIA  
REV. 1/29/02            PURCHASING CONTINUATION SHEET  
VENDOR:

## **BID PREPARATION INFORMATION**

### **HISTORICAL INFORMATION**

Prospective bidders may review files at the West Virginia Department of Environmental Protection, Charleston, WV office. These files may contain additional information not included in the contract documents including, but not limited to, permit applications, permits, inspection reports, environmental documents, permit violation history, geological and geotechnical information, probable hydrologic consequences, maps, modifications, NPDES information and other related data. Copies may be obtained upon request and payment of copying fees.

### **EXAMINATION OF BID PACKAGE AND SITE OF WORK**

The bidder is required to examine, carefully, the bid package (plans, specifications, supplemental specifications, contract forms, etc.) and the site of the work contemplated. The submission of a bid shall be considered prima facie evidence that the bidder has made such examination and has judged for and satisfied themselves as to the character, quantity, and quality of work to be performed and the materials required to be furnished under the contract.

### **PREBID CONFERENCE**

Only the prospective bidders on the sign-in sheet in attendance for the entire Pre-Bid Conference will be eligible to submit bids for consideration of this project.

### **VIDEO**

The information given at the pre-bid showing by the project contact person or the assigned person shall be documented on video tape and shall be an integral part of this contract's requirements, but will not supersede the written contract. All information on video tape that is new or provides clarification to the specifications, will be issued in writing by a formal addendum and will become part of the written contract.

### **INTENT OF CONTRACT**

The intent of the contract is for the reclamation/restoration of forfeited mine lands as required by West Virginia Department of Environmental Protection. The contractor is to provide for the construction and completion in every detail of the work described. The Contractor shall furnish all labor, materials, equipment, tools, transportation, and supplies required to complete the work in accordance with the Plans, Specifications, and terms of the Contract.

Should any misunderstanding arise as to the intent or meaning of the Contract, or any discrepancy appear, the decision of the Director of Division of Land Restoration.

BUYER CB-23	PAGE 031	REQ. OR PO. NO. DEP 13007
SPENDING UNIT WEST VIRGINIA DEPARTMENT OF ENVIRONMENTAL PROTECTION/ OFFICE OF SPECIAL RECLAMATION		

WV-36a                      STATE OF WEST VIRGINIA  
REV. 1/29/02            PURCHASING CONTINUATION SHEET  
VENDOR:

## GENERAL PERFORMANCE STANDARDS

### INTRODUCTION

The performance standards and non-compliance penalties which govern special reclamation-bond forfeiture projects are in Chapter 22 A, Article 3, of the Code of West Virginia and subsequent rules and regulations. The following performance standards are of a general nature and do not represent all the performance standards applicable to a special reclamation-bond forfeiture project. However, some or all of these standards will pertain to each project.

### BACKFILLING

1. Unless otherwise noted, the highwall shall be eliminated and the disturbed area graded to the approximate original contour.
2. The material used to backfill and eliminate the highwall shall be sufficiently compacted so as to insure stability of the backfill throughout the warranty period.
3. The land above the highwall shall not be disturbed unless otherwise directed.
4. The best available material to support vegetation, sufficient to establish a permanent vegetative cover and to achieve the approved post mining land use, shall be used.

### BLASTING

The performance standards of the blasting regulations must be adhered to.

### LIFE OF CONTRACT

The purchase order contract becomes effective on the starting date as specified in the notice to proceed as issued by the Department of Environmental Protection. This contract extends for a period of one (1) year and may be renewed until such "reasonable time" thereafter as is necessary to complete TREES, TOP DRESSING, the payment therefore and the warranty period. This contract is the right of entry for the vendor and must be effective through the warranty period to conduct warranty work, as necessary. A responsible Contractor's Agent shall be on the site at all working times who demonstrates a knowledge of mined land reclamation, contract requirements and responds to DEP (owner) inspections.

### WORK PERFORMANCE PERIOD

The work performance period is a defined portion of the contract in which all items (except trees and top dressing) shall be completed. The work performance period is to be performed within 365 calendar days. Extensions may be granted based upon contractor's performance, weather conditions and site specific site conditions.

### NOTICE TO PROCEED

A notice to proceed shall be issued to the Contractor by the project contact person for the Department of Environmental Protection. Actual construction may only begin after a Notice to Proceed is given and as specified. Such notice shall specify the starting date of the Purchase Order, the work performance period, and the completion date of the work performance period.

### PRE-CONSTRUCTION CONFERENCE

The Contractor in possession of the awarded purchase order shall schedule and attend a Pre-Construction Conference on the site within ten (10) days after receiving the Notice To Proceed. The contractor will begin work within ten (10) days of the preconstruction conference. The Contractor's foreman or the on-the-ground supervisor must be in attendance.

BUYER CB-23	PAGE 032	REQ. OR PO NO. DEP 13007
SPENDING UNIT		
WEST VIRGINIA DEPARTMENT OF ENVIRONMENTAL PROTECTION/ OFFICE OF SPECIAL RECLAMATION		

WV-36a                      STATE OF WEST VIRGINIA  
REV. 1/29/02            PURCHASING CONTINUATION SHEET  
VENDOR: \_\_\_\_\_

**GENERAL SUPERVISION** - This contract is under the general supervision of the West Virginia Department of Environmental Protection's contact person for the purpose of contract compliance inspection only. Contractor shall supervise work being conducted at all times. All services rendered by the Engineer/Contact Person consist of professional opinions and recommendations made in accordance with generally accepted engineering practice. Under no circumstances is it the intent of the Engineer/Contact Person to directly control the physical activities of the Contractor or the Contractor's workmen's accomplishment of work on this project.

**CONTRACTOR RESPONSIBILITY**

The contractor is responsible for compliance with all aspects of this written contract. No changes will be honored without prior approval from the Program Supervisor.

**LAWS TO BE OBSERVED**

The Contractor shall keep fully informed of all Federal and State laws, all local laws, ordinances, and regulations and all orders and decrees of bodies or tribunals having any jurisdiction or authority, which in any manner affect those engaged or employed on the work, or which in any way affect the conduct of the work. The Contractor shall at all times observe and comply with all such laws, ordinances, regulations, orders and decrees; and shall protect and indemnify the State and its representatives against any claim or liability arising from or based on the violation of any such laws, ordinances, regulations, orders, or decrees, whether by themselves, their subcontractors or their employees.

**PERMITS, LICENSES AND TAXES**

The Contractor shall procure all permits and licenses, pay all charges, fees, and taxes, and give all notices necessary and incidental to the due and lawful prosecution of the work.

**CONCURRENT RECLAMATION**

Reclamation of this project shall commence at a definite point as defined and shall progress from that point with total reclamation to include backfilling, grading/regrading, and revegetation. Changes may be granted based upon weather or differing site conditions with prior approval.

BUYER CB-23	PAGE 033	REQ. OR PO NO. DEP 13007
SPENDING UNIT WEST VIRGINIA DEPARTMENT OF ENVIRONMENTAL PROTECTION/ OFFICE OF SPECIAL RECLAMATION		

WV-36a STATE OF WEST VIRGINIA  
REV. 1/29/02 PURCHASING CONTINUATION SHEET  
VENDOR:

**WATER QUALITY CONTROL**

Shall commence with initial start-up of the project and remain in effect for the extent of the backfilling, regrading and revegetation activity. DEP obtains a storm water permit for each project from the Water Resources Department . (See General Water Pollution Control Permit WVO115924 attached) The Contractor is responsible for performing the best management practices. Adequate facilities shall be installed, operated and maintained using the best management practices of the U.S. Environmental Protection Agency's Non-Point Source (NPS) Program for sediment control during the active reclamation. The contractor shall take any and all steps necessary to prevent erosion or silting problems from occurring and to minimize pollution or sedimentation of the stream. If any such problems develop, the contractor shall be responsible to take immediate corrective action. No separate payment for this work will be honored. All impounded waters which require removal during reclamation, shall be pumped with appropriate measures taken to prevent erosion from the discharge. The contractor shall be responsible for treatment of said waters to meet pH standards. The water shall be discharged only when the quality meets a pH equivalent to the pH of the receiving stream but not less than 6.0.

**DIFFERING SITE CONDITIONS**

During the progress of the work, if subsurface or latent physical conditions are encountered at the site differing materially from those indicated in the contract or if unknown physical conditions of an unusual nature, differing materially from those ordinarily encountered and generally recognized as inherent in the work provided by the contract, are encountered at the site, the party discovering such conditions shall promptly notify the other party in writing of the specific differing conditions before they are disturbed and before the affected work is performed.

Upon written notification, the Engineer/Contact Person will investigate the conditions, and if determined that the conditions materially differ and cause an increase or decrease in the cost or time required for the performance of any work under the contract, an adjustment, excluding loss of anticipated profits, will be made and the contract modified in writing accordingly. The Engineer/Contact Person will notify the Contractor of DEP's determination whether or not an adjustment of the contract is warranted.

No contract adjustment which results in a benefit to the Contractor will be allowed unless the Contractor has provided the required written notice.

No contract adjustment will be allowed under this clause for any effects caused on unchanged work.

**HANDLING AND STORAGE OF MATERIALS**

Materials which are stored on site, before utilization, shall be stored so as to assure the preservation of their quality and fitness for the work. Stored materials, even though approved before storage, may be inspected again prior to their use in the work. Damaged or deteriorated materials shall be removed and replaced by materials meeting the original specifications.

Aggregate stockpiles shall be made on ground that is denuded of vegetation, hard, and well drained. Removal of aggregate from the stockpile shall be done in a manner which will not result in the inclusion of foreign material into the aggregate. The use of the aggregate will determine if exceptions are permitted.

All materials shall be handled in such a manner as to preserve their quality and fitness for the work.

**MAINTENANCE DURING CONSTRUCTION**

The contractor shall maintain the work during construction and until the project is accepted. All cost of maintenance work during construction and before the project is accepted shall be included in the unit or lump sum prices on the various pay items.

BUYER	PAGE	REQ. OR PO NO.
CB-23	094	DEP 13007
SPENDING UNIT		
WEST VIRGINIA DEPARTMENT OF ENVIRONMENTAL PROTECTION/ OFFICE OF SPECIAL RECLAMATION		

WV-36a STATE OF WEST VIRGINIA  
REV. 1/29/02 PURCHASING CONTINUATION SHEET  
VENDOR:

**FINAL INSPECTION**

A final inspection meeting by the Department of Environmental Protection's Specialist and the contractor is required for the construction phase and prior to demobilization.

**ACREAGE QUANTITIES**

The acreage quantities in this contract are for bidding purpose and are set (definite) number for the project area as specified at the pre-bid showing. Only surveyed acreage's through figures the Contractor and/or the State develops will be honored to alter these acreage numbers.

**PAYMENT**

Invoices must be submitted on prescribed Department of Environmental Protection, Special Reclamation Program forms and include verification. Certified contractor payrolls for operators directly involved in this project and a current workers compensation certificate must accompany each invoice for payment. Verification of wage rates may include employee interviews. Invoices shall be signed in blue ink so that it is easy to verify that document is an original.

MOBILIZATION/DEMOLIBILIZATION shall be invoiced at fifty percent (50%) with the first invoice and the last 50% invoiced after demobilization and acceptance of the road abandonment or final invoice. Demobilization must have written approval.

SPILL CONTAINMENT AREA shall not exceed \$1,000.00 and will be payable in two payments. The first fifty percent (50%) payable with the first invoice and the remainder payable when all fuel tanks, containers and etc., are removed from the site.

Lump sum items shall be percentage payments based on work completed at time of invoice and paid upon acceptance by the Department of Environmental Protection.

Unit items shall be invoiced by specified units completed and accepted by the DEP.

ROAD ABANDONMENT shall be included in the final construction invoice.

TOP DRESSING must be invoiced based on the percentage completed.

**FAILURE TO COMPLETE ON TIME AND LIQUIDATED DAMAGES**

Time is an essential element of the Contract and it is important that the work be completed within the time specified. The cost to the Department of the administration of the Contract, including engineering, inspection and supervision, will increase as the time required to complete the work is increased.

The work performance period as specified in the contract's Notice to Proceed shall be complied with or result in liquidated damages. Such damages shall be assessed at an amount of two hundred and fifty dollars (\$250.00) per day for each and every day beyond the work performance period as specified in the Notice to Proceed. The total amount of daily charges, will be deducted from any moneys due the Contractor, not as a penalty but as liquidated damages.

BUYER CB-23	DATE 035	REQ. OR PO NO. DEP 13007
SPENDING UNIT		
WEST VIRGINIA DEPARTMENT OF ENVIRONMENTAL PROTECTION/ OFFICE OF SPECIAL RECLAMATION		

WV-36a                      STATE OF WEST VIRGINIA  
REV. 1/29/02            PURCHASING CONTINUATION SHEET  
VENDOR:

---

**REVEGETATION AND WARRANTY**

The seeding date shall be at the discretion of the contractor once an approved seedbed has been prepared. In all cases a permanent vegetative cover capable of supporting the post-mining land use must be established. A warranty period of one (1) year shall commence upon completion and payment of the revegetation item of the contract. No payment will be made for additional seeding necessary to comply with warranty requirements. The warranty period will be extended for one (1) year from the date of the last augmented seeding done by the contractor. The performance bond and labor and materials bond shall remain in effect throughout the warranty period. The Standards for Evaluating Vegetative Cover as presented in Title 38, CSR2, Section 9 of the West Virginia Surface Mining Reclamation Regulations will apply.

Equipment for the retracking/scarification to eliminate rills and gullies shall be mobilized and utilized to produce slopes consistent with the regrading and topsoiling bid item prior to warranty reseeding. No additional payment will be made by DEP for this warranty work.

Water utilized for hydroseeding shall be free of injurious or other toxic substances harmful to plant life. The source of water is subject to the approval of the DEP contact person.

**CONTRACT NON-COMPLIANCE**

If in the opinion of the Department of Environmental Protection the contract is not in compliance with any line item specification, that portion of the project shall cease until a compliance schedule and understanding is demonstrated in writing and accepted by the Director of Land Restoration.

**CONTRACT DELETIONS**

Any line item, or any portion thereof, may be deleted when determined by the project contact person that such line item, or portion thereof, is deemed unnecessary for the successful reclamation of this project. No claim for loss of anticipated profits will be considered.

**CANCELLATION**

The performance of work under contract may be terminated by the State in whole, or from time to time in part whenever the State shall determine that such termination is in the best interest of the State. Any such termination shall be effected by delivery to the Contractor of a Notice of Termination specifying the extent to which performance of work under the Contract is terminated and the date upon which such termination becomes effective.

When contracts, or any portion thereof, are terminated before completion of all items of work in the Contract, payment will be made for the actual number of units or items of work completed and accepted at the contract unit price. No claim for loss of anticipated profits will be considered. Reimbursement for organization of the work, when not otherwise included in the Contract, and moving equipment to and from the job will be considered where the volume of work completed and accepted is too small to compensate the Contractor for these expenses under the contract unit prices, the intent being that an equitable settlement will be made with the Contractor.

Termination of the Contract or a portion thereof shall not relieve the Contractor of his responsibilities for the completed work, nor shall it relieve his surety of its obligation for and concerning any just claims arising out of the work performed.

This contract may be cancelled in whole or in part in writing by the Director of Purchasing, without prejudice to any other right or remedy it may have, provided that the contractor is given not less than thirty (30) calendar days written notice, (delivered by certified mail, return receipt requested) of intent to terminate. This contract objective is to comply with the reclamation laws of this state and must be expedient to meet the time requirements for reclamation of revoked surface mine permits.



BUYER CB-23	PAGE 036	REQ. OR PO NO. DEP 13007
SPENDING UNIT WEST VIRGINIA DEPARTMENT OF ENVIRONMENTAL PROTECTION/OFFICE OF SPECIAL RECLAMATION		

WV-36a STATE OF WEST VIRGINIA  
REV. 1/29/02 PURCHASING CONTINUATION SHEET  
VENDOR:



## WEST VIRGINIA

Department of Environmental Protection

Division of Water Resources

### WEST VIRGINIA/NATIONAL POLLUTANT DISCHARGE ELIMINATION SYSTEM GENERAL WATER POLLUTION CONTROL PERMIT

Permit No. WV0115924

Issue Date: November 5, 2002

Effective Date: December 5, 2002

Expiration Date: December 4, 2007

Subject: Storm Water Associated  
With Construction Activities

To whom it may concern:

This is to certify that any establishment with discharges composed entirely of storm water associated with construction activities disturbing one (1) acre or greater of land area (construction activities are earth disturbing operations such as clearing and grubbing, grading, filling and excavation operations during site development for residential, commercial or industrial purposes) and agreeing to be regulated under the terms of this general permit, except for;

1. Operations that result in the disturbance of less than one acre of total land area, which are not part of a larger common plan of development or sale.
2. Storm water discharges associated with earth disturbing activities that the Director has shown to be or may reasonably be expected to be contributing to a violation of a water quality standard.
3. Earth disturbing activities governed by other NPDES permits issued by the Department of Environmental Protection. This includes Division of Mining and Reclamation Permits for coal mining and non-metallic quarries.
4. Landfills, except in the preparation of a new landfill and/or clay borrow areas.
5. Other activities exempt from NPDES permitting requirements as set forth in 40 CFR 122.3 and 47 CSR 10.3.2.b.

is hereby granted coverage under this General WV/NPDES Water Pollution Control Permit to allow storm water discharges into the waters of the State. This General Permit is subject to the following terms and conditions:

The information submitted on and with the site registration application form will hereby be made terms and conditions of the General Permit with like effect as if all such information were set forth herein, and other pertinent conditions set forth in Sections A, B, C, D, E, F and G.

Sites registered under the 1997 General Storm Water Permit WV0115100 will automatically be provided coverage under General Storm Water Permit WV0115924. Any newly proposed or expanded construction activity on those sites will require new registration under General Storm Water Permit WV0115924.

Sites disturbing 1 to less than 3 acres that were under construction prior to the effective date of this permit, will be required to apply for and receive permit coverage if not completed by March 1, 2003.

BUYER CB-23	PAGE 037	REQ. OR PO NO. DEP 13007
SPENDING UNIT WEST VIRGINIA DEPARTMENT OF ENVIRONMENTAL PROTECTION/OFFICE OF SPECIAL RECLAMATION		

**SECTION A. TERMS OF PERMIT**

Discharges from sites covered under the General Permit will not cause a violation of 46CSR1 and 46CSR 12 of the West Virginia Legislative Rules pursuant to Chapter 22, Article 11 and Article 12.

**SECTION B. SCHEDULE OF COMPLIANCE**

Compliance with this General Permit and the approved Storm Water Pollution Prevention Plan is required upon the beginning of the construction project.

**SECTION C. MANAGEMENT CONDITIONS**

**C.1 Duty to Comply**

C.1.a. The permittee must comply with all conditions of this Permit. Permit noncompliance constitutes a violation of the federal Clean Water Act (CWA) and State Act (Chapter 22, Article 11 and Article 12) and is grounds for enforcement action; for permit modification, relocation and reissuance, suspension or revocation; or for denial of a permit renewal application.

C.1.b. The permittee shall comply with all effluent standards or prohibitions established under Section 307(a) of the CWA for toxic pollutants within the time provided in the regulations that establish these standards or prohibitions, even if the permit has not yet been modified to incorporate the requirement.

**C.2. Duty to Reapply**

If the permittee wishes to continue an activity regulated by this permit after the expiration date of this permit, the permittee must apply for a new permit as detailed in permit re-issuance. The construction activities permitted by this General Permit have 365 days past the expiration of the permit to complete the activity. Sites not completely stabilized will be required to reapply.

**C.3. Duty to Mitigate**

The permittee shall take all reasonable steps to minimize or prevent any discharge in violation of this permit, which has a reasonable likelihood of adversely affecting human health or the environment.

**C.4. Permit Actions**

This permit may be modified, revoked and reissued, suspended, or revoked for cause. The filing of a request by the permittee for permit modification, revocation and reissuance, or revocation, or a notification of a planned change or anticipated noncompliance, does not stay any permit condition.

**C.5. Property Rights**

This permit does not convey any property rights of any sort or any exclusive privilege.

**C.6. Signatory Requirements**

All applications, reports, or information submitted to the Director shall be signed and certified as required in 47 CSR 10.4.6 of the West Virginia Legislative Rules. If an authorization becomes inaccurate because a different individual or position has responsibility for the overall operation of the project, a new authorization must be submitted to the Director prior to, or together with any reports, information, or applications to be signed by an authorized representative.

BUYER CB-23	PROJECT 038	REQ. OR PO NO. DEP 13007
SPENDING UNIT WEST VIRGINIA DEPARTMENT OF ENVIRONMENTAL PROTECTION/OFFICE OF SPECIAL RECLAMATION		

#### C.7. Transferability

This permit is not transferable to any person, except after notice to the Director. The Director may require modification or revocation and reissuance of the permit to change the name of the permittee and incorporate such other requirements as may be necessary.

#### C.8. Duty to Provide Information

The permittee shall furnish to the Director, within a reasonable specified time, any information, including water quality monitoring if necessary which the Director may request to determine whether cause exists for modifying, revoking and reissuing, suspending, or revoking this permit, or to determine compliance with this permit. The permittee shall also furnish to the Director, upon request, copies of records required to be kept by this permit.

#### C.9. Other Information

Where the permittee becomes aware that it failed to submit any relevant facts in a permit application, or submitted incorrect information in a permit application or in any report to the Director, it shall promptly submit such facts or information.

#### C.10. Inspections and Entry

The permittee shall allow the Director, or an authorized representative, upon the presentation of credentials and other documents as may be required by law, to:

##### C.10.a.

Enter upon the permittee's premises in which an effluent source or activity is located, or where records must be kept under the conditions of this permit;

##### C.10.b.

Have access to and copy at reasonable times, any records that must be kept under the conditions of this permit;

##### C.10.c.

Inspect at reasonable times any facilities, equipment (including monitoring and control equipment), practices, or operations regulated or required under this permit.

#### C.11. Permit Modification

This permit may be modified, suspended, or revoked in whole or in part during its term in accordance with the provisions of Chapter 22-11 and 47CSR10 of the Code of West Virginia. Any permittee wishing to modify their coverage under this permit shall submit such request at least 30 days prior to the commencement of the proposed action.

#### C.12. Water Quality

The effluent or effluents covered by this permit are to be of such quality so as to not cause violations of applicable water quality standards adopted by the State Environmental Quality Board.

#### C.13. Oil and Hazardous Substance Liability

Nothing in this permit shall be construed to preclude the institution of any legal action or relieve the permittee from any responsibilities, liabilities, or penalties to which the permittee is or may be subject under section 311 of the CWA.

BUYER CB-23	PAGE 039	REQ. OR PO NO. DEP 13007
SPENDING UNIT WEST VIRGINIA DEPARTMENT OF ENVIRONMENTAL PROTECTION/OFFICE OF SPECIAL RECLAMATION		

C.14. Liabilities

C.14.a.

Any person who violates a permit condition implementing sections 301, 302, 306, 307, 308, 318 or 405 of the Clean Water Act is subject to a civil penalty not to exceed \$25,000 per day of such violation. Any person who willfully or negligently violates permit conditions implementing section 301, 302, 306, 307, or 308 of the Clean Water Act is subject to a fine of not less than \$2,500 nor more than \$25,000 per day of violation, or by imprisonment for not more than 1 year, or both.

C.14.b.

Any person who knowingly makes any false statement, representation, or certification in any record or other document submitted or required to be maintained under this permit, including reports of compliance or noncompliance shall, upon conviction, be punished by a fine of not more than \$10,000 per violation, or by imprisonment for not more than 6 months per violation, or by both.

C.14.c.

Nothing in C.14.a), and b) shall be construed to limit or prohibit any other authority the Director may have under the State Water Pollution Control Act, Chapter 22, Article 11 and State Groundwater Protection Act, Chapter 22, Article 12.

C.15 Outlet Markers

An outlet marker shall be posted during the term of General Permit coverage in accordance with Title 47, Series 11, Section 9 of the West Virginia Legislative Rules.

SECTION D. OPERATION AND MAINTENANCE

D.1. Proper Operation and Maintenance

The permittee shall at all times properly operate and maintain all facilities and systems of treatment and control (and related appurtenances) which are installed or used by the permittee to achieve compliance with the conditions of the permit.

D.2. Need to Halt or Reduce Activity Not a Defense

It shall not be a defense for a permittee in an enforcement action that it would have been necessary to halt or reduce the permitted activity in order to maintain compliance with the conditions of this permit.

D.3. Bypass

D.3.a. Definitions

D.3.a.1.

"Bypass" means the intentional diversion of waste streams from any portion of a treatment facility; and

D.3.a.2.

"Severe property damage" means substantial physical damage to property, damage to the treatment facility which causes them to become inoperable, or substantial and permanent loss of natural resources that can reasonably be expected to occur in the absence of a bypass. Severe property damage does not mean economic loss caused by delays in production.

BUYER CB-23	PAGE 040	REQ. OR PO NO. DEP 13007
SPENDING UNIT WEST VIRGINIA DEPARTMENT OF ENVIRONMENTAL PROTECTION/OFFICE OF SPECIAL RECLAMATION		

D.3.b.

Bypass not exceeding limitations. The permittee may allow any bypass to occur which does not cause effluent limitations to be exceeded, but only if it also is for essential maintenance to assure efficient operation. These bypasses are not subject to the provisions of D.3.c) and D.3.d) of this permit.

D.3.c. Notification of bypass

D.3.c.1.

If the permittee knows in advance of the need for a bypass, it shall submit prior notice, if possible at least ten (10) days before the date of the bypass.

D.3.c.2

If the permittee does not know in advance of the need for bypass, notice shall be submitted as requires in F.2.a) of this permit.

D.3.d. Prohibition of bypass

D.3.d.1.

Bypass is permitted only under the following conditions, and the Director may take enforcement action against a permittee for bypass, unless;

D.3.d.1.A.

Bypass was unavoidable to prevent loss of life, personal injury, or severe property damage;

D.3.d.1.B

There were no feasible alternatives to the bypass, such as the use of auxiliary treatment facilities, retention of untreated sediment, or maintenance during normal periods of equipment downtime. This condition is not satisfied if adequate backup equipment should have been installed in the exercise of reasonable engineering judgment to prevent a bypass that occurred during normal periods of equipment downtime or preventive maintenance. This condition is not satisfied if the sediment and erosion control structures were not installed in the proper sequence; and

D.3.d.1.C.

The permittee submitted notices as required under D.3.c) of this permit.

D.3.d.2.

The Director may approve an anticipated bypass, after considering its adverse effects, if the Director determines that it will meet the three conditions listed in D.3.d)(1) of this permit.

D.4 Upset

D.4.a. Definition "Upset" means an exceptional incident in which there is unintentional and temporary noncompliance with the terms and conditions of the permit and the Storm Water Pollution Prevention Plan because of factors beyond the reasonable control of the permittee. An upset does not include noncompliance to the extent caused by operational error, improperly designed treatment facilities, inadequate treatment facilities, lack of preventive maintenance, or careless or improper operation.

D.4.b. Effect of an upset. An upset constitutes an affirmative defense to an action brought for noncompliance with such technology-based permit effluent limitations if the requirements of D.4.c) are met. No determination made during administrative review of claims that noncompliance was caused by upset, and before an action for noncompliance, is final administrative action subject to judicial review.

BUYER CB-23	PAGE 041	REQ. OR PO NO. DEP 13007
SPENDING UNIT		
WEST VIRGINIA DEPARTMENT OF ENVIRONMENTAL PROTECTION/OFFICE OF SPECIAL RECLAMATION		

D.4.c. Conditions necessary for a demonstration of upset. A permittee who wishes to establish the affirmative defense of upset shall demonstrate, through properly signed, contemporaneous operating logs, or other relevant evidence that:

D.4.c.1. An upset occurred and that the permittee can identify the cause(s) of the upset:

D.4.c.2. The permitted project was at the time being properly operated.

D.4.c.3. The permittee submitted notice of the upset as required in F.2.a) of this permit.

D.4.c.4. The permittee complied with any remedial measures required under C.3. of this permit.

D.4.d. Burden of proof. In any enforcement proceedings the permittee seeking to establish the occurrence of an upset has the burden of proof.

#### D.5. Removed Substances

Where removed substances are not otherwise covered by the terms and conditions of this permit or other existing permits by the Director, any solids, sludge, filter backwash or other pollutants (removed in the course of treatment or control of wastewater) and which are intended for disposal within the State, shall be disposed of only in a manner and at a site subject to the approval by the Director. If such substances are intended for disposal outside the State or for reuse, i.e., as a material used for making another product, which in turn has another use, the permittee shall notify the Director in writing of the proposed disposal or use of such substances, the identity of the prospective disposer or users, and the intended place of disposal or use, as appropriate.

### SECTION E. MONITORING AND REPORTING

Monitoring of discharges is not required for construction activities unless directed by the Director.

#### E.1. Definitions

"As-built drawing" means a certified drawing of conditions as they were actually constructed.

"Best Management Practices" (BMPs) means schedules of activities, prohibitions of practices, maintenance procedures, other management practices and various structural practices such as but not limited to silt fence, sediment traps, seeding and mulching, and rip-rap used to prevent or reduce erosion and sediment runoff and the pollution of waters of the State. BMPs also include treatment requirements, operating procedures and practices to control plant site runoff, spillage or leaks, sludge or waste disposal, or drainage from raw material storage.

"Clearing" means cutting and removing vegetation with chain saws, brush axes, brush hogs and other mechanical means where there is little or no soil disturbance.

"Common Plan of Development" is a contiguous construction project where multiple separate and distinct construction activities may be taking place at different times on different schedules but under one plan. The "plan" is broadly defined as any announcement or piece of documentation or physical demarcation indicating construction activities may occur on a specific plot; included in this definition are most subdivisions.

"Control" is a Best Management Practice such as erosion control or sediment control that used on a construction project will reduce sedimentation

BUYER CB-23	PAGE 042	REQ. OR PO NO. DEP 13007
SPENDING UNIT WEST VIRGINIA DEPARTMENT OF ENVIRONMENTAL PROTECTION/OFFICE OF SPECIAL RECLAMATION		

"Construction Activity" means earth disturbance operations such as clearing and grubbing, grading, filling and excavation during site development for residential, commercial or industrial purposes. This includes but is not limited to access roads, off-site borrow and spoil areas and house lots in subdivisions.

"CWA" means Clean Water Act or the Federal Water Pollution Control Act.

"Director" means the Director of the Division of Water Resources, Department of Environmental Protection, or their designated representative.

"Disturbed area" is the total area of earth disturbing activity that will take place during all phases of a construction project, including but not limited to all waste and borrow sites, utility installation, road building, mass grading, and site development. For the purposes of the General Permit, subdivisions will consider a minimum of ¼ acre disturbance per lot, unless the lot is less than ¼ acre in size, in which the entire lot will be considered as disturbed area.

"Establishment" is an operation or facility as defined in West Virginia Code 22-11-3.

"Secretary" means the Secretary of the Department of Environmental Protection, or their designated representative.

"Estimate" means to be based on a technical evaluation of the sources contributing to the discharge.

"Excavating" means large scale grading accomplished usually with heavy machinery.

"Final Stabilization" means disturbed areas shall be covered by some sort of permanent protection. "Final Stabilization" includes; pavement, buildings, stable waterways (rip-rap, concrete, grass or pipe), a healthy, vigorous stand of perennial grass that uniformly covers at least 70 percent of the ground, stable outlet channels with velocity dissipation which directs site runoff to a natural watercourse, and any other approved structure or material.

"Grading" means changing surface contours by removing soil and stone from one place and building it up in another.

"Groundwater" means the water occurring in the zone of saturation beneath the seasonal high water table or any perched water zones.

"Groundwater Protection Plan" means groundwater protection practices developed and implemented in accordance with WV Legislative Rules, 47CSR58.

"Grubbing" means physically removing vegetative stumps and roots from the ground and disturbing the earth, usually by heavy machinery.

"Impervious surface" means a surface composed of any material that significantly impedes or prevents natural infiltration of water into soil. Impervious surfaces include, but are not limited to, roofs, building, streets, parking areas, and any concrete, asphalt, or compacted gravel surface.

"Intermittent stream" means a stream which has no flow during sustained periods of no precipitation and which do not support aquatic life whose life history requires residence in flowing waters for a continuous period of at least six (6) months.

"Karst" means a type of topography formed over limestone, dolomite, or gypsum resulting in dissolving or solution of the underlying calcareous rock.

"Minor construction activity" means an activity which disturbs one acre or more area, but less than a three acre area.

"Notice of Intent" is the form to be submitted by the applicant to register a small construction project (one that disturbs 1 to less than 3 acres) under the Construction Storm Water General Permit. (NOI)

BUYER CB-23	PAGE 043	REQ. OR PO. NO. DEP 13007
SPENDING UNIT WEST VIRGINIA DEPARTMENT OF ENVIRONMENTAL PROTECTION/OFFICE OF SPECIAL RECLAMATION		

"Notice of Termination" is the form to be submitted by the applicant to terminate coverage under the Construction General Storm Water Permit, after final stabilization has been completed. See Final Stabilization. (NOT)

"Pre-development" means the condition of the land, the amount and health of the ground cover and vegetation, prior to development. A "good" condition should be assumed for the pre-development condition.

"Point Source" is any discernible, confined and discrete conveyance, including but not limited to, any pipe, ditch, channel, tunnel, conduit, well, discrete fissure, and container from which pollutants are or may be discharged to surface waters of the state.

Conveyances of pollution formed both as a result of natural erosion or by material means, and which constitutes a component of a drainage system, may fit the statutory definition and thereby subject the operators to liability under the Act.

"Post-development" means the anticipated final conditions of the project, including rooftops, parking lots, streets, drainage systems, vegetation, and any other structure planned. For subdivisions and speculative developments, it will be assumed that all lots are developed.

"Runoff coefficient" means the fraction of total rainfall that is not infiltrated into the ground that will appear at the point of discharge as runoff.

"Run off curve number" is the numeric value reflecting the runoff coefficient and is based on soils, slopes, and type and health of the ground cover.

"Sinkhole" means a depression in the land surface formed by solution or collapse that directs surface runoff into subsurface or to an underground drainage flow.

"Site Registration Application Forms" means the forms designed by the Director for the purpose of registering for coverage under a general permit. Under the General Permit WV0115924 there will be two separate forms, one for 1 to less than 3 acres (Notice of Intent) and the Site Registration Application Form for projects that disturb 3 acres and greater.

"Storm Water" means storm water runoff, snowmelt runoff, and surface runoff and drainage.

"Storm Water Management Facilities" means structures such as ponds, basins, outlets, ditches, velocity dissipaters, infiltration trenches and basins, extended detention basins and ponds, and any other structure used to control the quality and quantity of storm water from a development project.

"Storm Water Pollution Prevention Plan" means the Erosion and Sediment Control Plan submitted as part of the Site Registration Application Form.

"Tier 2.5 Waters" means Waters of Special Concern as identified in 46 CSR 1-4F.1.

"Tier 3 Waters" means waters as otherwise identified in 46CSR 1-4G.1.

"1-year, 24-hour precipitation event" means the maximum 24-hour precipitation event with a probable recurrence interval of once in 1 year. This information is available from the National Climatic Center of the Environmental Data Service, National Oceanic and Atmospheric Administration, U.S. Department of Commerce, or the Natural Resources Conservation Service's Erosion Control Handbook for Developing Areas.

"25-year, 24-hour precipitation" means the maximum 24-hour precipitation event with a probable recurrence interval of one in 25 years.



BUYER CB-23	PAGE 044	REQ. OR PO NO. DEP 13007
SPENDING UNIT WEST VIRGINIA DEPARTMENT OF ENVIRONMENTAL PROTECTION/OFFICE OF SPECIAL RECLAMATION		

## SECTION F. OTHER REPORTING

### F.1. Reporting Spill and Accidental Discharges

Nothing in this permit shall be construed to preclude the institution of any legal action or relieve the permittee from any responsibilities, liabilities, or penalties established pursuant to Series 11, Section 2, of the West Virginia Legislative Rules promulgated pursuant to Chapter 22, Article 11.

### F.2. Immediate Reporting

F.2.a. The permittee shall report any noncompliance which may endanger health, property or the environment immediately after becoming aware of the circumstances by using the Department's designated spill alert telephone number (1-800-642-3074). A written submission shall be provided within five (5) days of the time the permittee becomes aware of the circumstances. The written submission shall contain a description of the noncompliance and its cause; the period of noncompliance, including exact dates and time, and if the noncompliance has not been corrected, the anticipated time it is expected to continue; and steps taken or planned to reduce, eliminate, and prevent recurrence of the noncompliance.

## SECTION G. OTHER REQUIREMENTS

### G.1. Requiring an individual permit or an alternative general permit.

G.1.a. The Director may require any person authorized by this permit to apply for and obtain either an individual NPDES permit or an alternative NPDES general permit. Any interested person may petition the Director to take action under this paragraph. The Director may require any owner or operator authorized to discharge under this permit to apply for an individual NPDES permit only if the owner or operator has been notified in writing that a permit application is required. This notice shall include a brief statement of the reasons for this decision, an application form, a statement setting a deadline for the owner or operator to file the application, and a statement that on the effective date of the individual NPDES permit or the alternative general permit as it applies to the individual permittee, coverage under this general permit shall automatically terminate. The Director may grant additional time to submit the application upon request of the applicant. If an owner or operator fails to submit in a timely manner an individual NPDES permit application required by the Director under this paragraph, then the applicability of this permit to the individual NPDES permittee is automatically terminated at the end of the day specified for application submittal.

G.1.b. Storm water discharges associated with construction activities for operations regulated pursuant to West Virginia Code Chapter 22, Article 6 (Oil and Gas Operations) are covered by this General Permit. However, the permittee shall comply with the provisions of the site Construction and Reclamation Plan (Chapter 35-4-16) in lieu of the provisions of Section G.4 of this General Permit. Separate application to the Division of Water Resources for coverage under this General Permit is not required. Other provisions of this General Permit are applicable to these operations and failure to comply with the approved Construction and Reclamation Plan shall constitute a failure to comply with Section G.4 of this General Permit.

### G.2. Prohibition of non-storm water discharges

Except as provided below, all discharges covered by this permit shall be composed entirely of storm water. Discharges of material other than storm water must be in compliance with an NPDES permit (other than this permit) issued for the discharge.

The following non-storm water discharges are authorized by this permit: discharges from fire fighting activities, fire hydrant flushing; waters used to wash vehicles or control dust; potable water sources, including waterline flushing; lawn watering; routine external building washdown which does not use detergents; pavement washwater where spills or leaks of toxic or hazardous materials have not occurred (unless all spilled material has been removed) and where detergents are not used; air conditioning condensate; springs; uncontaminated groundwater; and foundation or footing drains where flows are not contaminated with process materials such as solvents that are combined with storm water discharges associated with industrial activity.

BUYER CB-23	PAGE 045	REQ. OR PO NO. DEP 13007
SPENDING UNIT WEST VIRGINIA DEPARTMENT OF ENVIRONMENTAL PROTECTION/OFFICE OF SPECIAL RECLAMATION		

This permit does not authorize the conveyance, diversion, channeling, directing or otherwise allowing the discharge of storm water into a sinkhole without an Underground Injection Control Permit."

**G.3. Releases in excess of Reportable Quantities**

This permit does not relieve the permittee of the reporting requirements of 40 CFR 117 and 40 CRF 302. The discharge of hazardous substances in the storm water discharge(s) from a project is not authorized by this General Permit, and in no case shall the discharge(s) contain a hazardous substance equal to or in excess of reporting quantities.

**G.4. Storm Water Pollution Prevention Plans (SWPPP/Groundwater Protection Plans (GPP)**

A Storm Water Pollution Plan and a Groundwater Protection Plan shall be developed for each project covered by this permit. These two plans may be combined into one plan so long as all of the requirements for both plans are met. Alternatively, they may be developed and maintained as separate stand-alone documents.

Storm Water Pollution Prevention Plans shall be prepared in accordance with good engineering practices. The plan shall identify potential sources of pollution that may reasonably be expected to affect the quality of storm water discharges associated with construction activity. In addition, the plan shall describe and ensure the implementation of practices that are to be used to reduce the pollutants in storm water discharges associated with construction activity and to assure compliance with the terms and conditions of this permit.

Groundwater Protection Plans (GPP) shall be prepared in accordance with Section G.4.e.2.c.iv. of this permit and the requirements of Title 47, Series 58, Section 4.11. et seq (Groundwater Protection Regulations). The GPP shall identify all operations that may reasonably be expected to contaminate the groundwater resources with an indication of the potential for soil and groundwater contamination from those operations. In addition the GPP shall provide a thorough and detailed description of procedures designed to protect groundwater from the identified potential contamination sources. Guidance in the completion of a GPP is available from the Division of Water Resources. A generic GPP will be provided as part of the instructions.

G.4.a. The SWPPP and the GPP shall be signed in accordance with Section C.6. and retained on site.

G.4.b. The application and SWPPP shall be submitted to the Division of Water Resources at least 45 days before construction is to begin, except as noted in G.4.b.3., G.4.b.4, and G.4.b.5. Developers should submit applications for review prior to accepting bids on the project. As the plans are evaluated by the Director or authorized representative, the Director or authorized representative may notify the permittee during the 45-day review period that the plan(s) do not meet one or more of the minimum requirements of this section. After such notification from the Director or authorized representative, the permittee shall make changes to the plan in accordance with the time frames established below, and shall submit to the Director, a written certification that the requested changes have been made.

G.4.b.1. Except as provided below in paragraph (2), the permittee shall have 30 days after such notification to make the changes necessary.

G.4.b.2. The permittee of a storm water discharge associated with industrial activity composed in part or in whole of runoff from construction activities shall have 24 hours after such notification to make changes relating to sediment and erosion controls to prevent loss of sediment from an active site, unless additional time is provided by the Director or an authorized representative.

G.4.b.3. Projects disturbing less than 3 acres and that do not discharge to or upstream of a Tier 2.5 or Tier 3 waters shall submit only the Notice of Intent Form (NOI) 10 days prior to initiating construction.

BUYER CB-23	PAGE 046	REQ. OR PO NO. DEP 13007
SPENDING UNIT WEST VIRGINIA DEPARTMENT OF ENVIRONMENTAL PROTECTION/OFFICE OF SPECIAL RECLAMATION		

G.4.b.4. Projects that will discharge to or upstream of Tier 2.5 or Tier 3 waters and disturb 3 acres or more, or that will disturb 100 or more acres, or that the grading phase of construction will last for more than one year, shall submit the application and SWPPP at least 90 days prior to construction to allow for the public notice procedure.

G.4.b.5. Projects proposing permanent storm water basins or ponds shall submit the GPP with the application.

G.4.c. The permittee shall modify, using forms provided by DWR, the SWPPP whenever there is a change in design, construction, scope of operation, or maintenance, which has a significant effect on the potential for the discharge of pollutants to the waters of the State, or if the SWPPP proves to be ineffective in achieving the general objectives of controlling pollutants in storm water discharges associated with construction activity. Should conditions warrant, the Director may request changes to the SWPPP during a field inspection. The Director may review changes or modifications to the SWPPP in the same manner as above.

The permittee shall amend the GPP whenever there is a change in design, construction, operation, or maintenance which could reasonably be expected to have an impact on the potential contamination of groundwater. The Director may review amendments to the GPP in the same manner as above.

G.4.d. In addition to the requirements of G.4.e, the SWPPP shall also include, at a minimum, the following items:

G.4.d.1 General Management Controls

G.4.d.1.A Preventive Maintenance – A preventive maintenance program shall involve inspection and maintenance of sediment and erosion control devices and storm water management structures to uncover conditions that could cause breakdowns or failures resulting in discharges of pollutants to surface waters.

G.4.d.1.B Good Housekeeping – Good housekeeping requires the maintenance of a clean and orderly project.

G.4.d.1.C Spill Prevention and Response Procedures – Areas where potential spills can occur, and their accompanying drainage points shall be identified clearly in the storm water pollution prevention plan. Where appropriate, specifying material handling procedures and storage requirements in the plan should be considered. Procedures for cleaning up spills shall be identified in the plan and made available to the appropriate personnel. The necessary equipment to implement a clean up should be available to personnel.

G.4.d.1.D. Employee Training – Employees training programs shall inform personnel at all levels of responsibility of the components and goals of the storm water pollution prevention plan. Training should address topics such as spill response, good housekeeping and routine inspection. A pollution prevention plan shall identify time frames for such training.

G.4.d.1.E. Visual Inspection – Qualified company personnel shall be identified to inspect as set forth under Maintenance G.4.e)(2)(E). A tracking or follow-up procedure should be used to ensure that adequate response and corrective actions have been taken in response to the inspection. Records of inspections shall be maintained for review by the Director.

G.4.d.1.F. Record keeping and Internal Reporting Procedures – Incidents such as spills, leaks and improper dumping, along with other information describing the quality and quantity of storm water discharges should be included in the records. Inspections and maintenance activities such as cleaning sediment basins or traps and other sediment trapping structures or catch basins and reseeding should be documented and recorded.

G.4.d.2. Consistency with other plans-Spill Prevention Control and Countermeasure (SPCC) plans under Section 311 of the CWA or any BMP's or GPP pursuant to 47 CSR 58 may be incorporated into a storm water prevention plan by reference.

BUYER CB-23	PAGE 047	REQ. OR PO. NO. DEP 13007
SPENDING UNIT WEST VIRGINIA DEPARTMENT OF ENVIRONMENTAL PROTECTION/OFFICE OF SPECIAL RECLAMATION		

- G.4.e. Requirements for Construction Activities – Operations that discharge storm water associated with construction activity disturbing one or more acres are not only subject to the requirements of Section G.4.d) of this permit, but are also subject to the following requirements. The storm water pollution prevention plans shall include, as a minimum, the following items.
- G.4.e.1. Site Description – Each plan shall, at a minimum, provide a description of the following:
- G.4.e.1.A A description of the nature of the construction activity, including a proposed timetable for major activities;
- G.4.e.1.B. Estimates of the total area of the site and the part of the site that is expected to undergo excavation or grading, the increase in impervious area by acreage and percentage, and the total amount of excavation by cut and fill;
- G.4.e.1.C. For each discharge design point an estimate of the pre-construction peak discharge from 1 year, 24 hour storm in cubic feet per second and an estimate of the post-development peak discharge from a 1 year, 24 hour storm in cubic feet per second using the Natural Resource Conservation Service's TR-55 or TR-20 or other approved methodology. Provide a description of the nature of fill material to be used, and data describing the soil from the Natural Resource Conservation Service's county soil survey and any known water quality data of any discharge from the site.
- G.4.e.1.D. A site map indicating, with a minimum of 5 foot contours, drainage patterns and slopes prior to construction and anticipated conditions after grading activities, topsoil stockpiles, waste areas, borrow sites, locations of sediment control structures identified in the narrative, the location of impervious areas after construction is completed, final storm water routing including all ditches and pipe systems, property boundaries and easements, nearest receiving stream, access roads, legend and springs, surface waters and any other information necessary to describe the project in detail.
- G.4.e.2. Controls – Each construction operation covered by this permit shall develop a description of controls appropriate for the project, and implement such controls. The description of these controls shall address the following minimum components, including a schedule for implementing such controls.
- G.4.e.2.A. Erosion and Sediment Controls
- G.4.e.2.A.i. Vegetative Practices – A description of interim and permanent stabilization practices, including site-specific scheduling of the implementation of the practices shall be provided. Site plans should ensure that existing vegetation is preserved where attainable and that disturbed portions of the site are stabilized as rapidly as possible. Stabilization practices may include: temporary seeding, permanent seeding, mulching, geotextiles, sod stabilization, vegetative buffer strips, protection of trees, preservation of mature vegetation, and other appropriate measures. Also include in the plan seedbed preparation requirements and the type and amount of soil amendments necessary to establish a healthy stand of vegetation. A record of the dates when major grading activities will occur, and when construction activities temporarily or permanently cease on a portion of the site, and when stabilization measures will be initiated shall be included in the plan. Except as noted below, stabilization measures shall be initiated as soon as practicable in portions of the site where construction activities have temporarily or permanently ceased, but in no case more than 7 days after the construction activity in that portion of the site has temporarily or permanently ceased.
- G.4.e.2.A.i.a. Where the initiation of stabilization measures by the 7<sup>th</sup> day after construction activity temporary or permanently ceases is precluded by snow cover, stabilization measures shall be initiated as soon as conditions allow.
- G.4.e.2.A.i.b. Where construction activity will resume on a portion of the site within 21 days from when activities ceased, (e.g., The total time period that construction activity is temporarily halted is less than 21 days) then stabilization measures do not have to be initiated on that portion of the site by the 7<sup>th</sup> day after construction activities have temporarily ceased.

BUYER CB-23	PAGE 048	REQ. OR PO NO. DEP 13007
SPENDING UNIT WEST VIRGINIA DEPARTMENT OF ENVIRONMENTAL PROTECTION/OFFICE OF SPECIAL RECLAMATION		

G.4.e.2.A.i.c. Temporary diversions, both upslope and diversions to trapping structures, must be seeded and stabilized immediately and prior to becoming functional.

G.4.e.2.A.ii Structural Practices – A description of the structural practices to be used to divert flows around exposed soils, store flows or otherwise limit runoff from exposed areas and eliminate sediment laden runoff from the site. Such practices may include but are not limited to silt fences, earth dikes and berms, land grading, diversions, brush barriers, drainage swales, check dams subsurface drains, pipe slope drains, storm drain inlet protection, rock outlet protection, reinforced soil retention systems and geotextiles, gabions and rip-rap, and permanent and temporary sediment traps/basins.

For locations on a site that have a drainage area of 5 acres or less, a sediment trap which provides a storage volume equal to 3600 cubic feet per acre of drainage area shall be installed. Half of the volume of the trap will be in a permanent pool and half will be dry storage.

For drainage areas of greater than five acres, a sediment basin providing 3600 cubic feet per drainage acre shall be installed. Half of the volume of the basin will be in a permanent pool and half will be dry storage. Sediment basins must be able to dewater the dry storage volume in 48 to 72 hours. A sediment basin must be able to pass through the spillway(s) a twenty-five-year, 24-hour storm event with one foot of freeboard. The inlet(s) to a sediment trapping structure must be protected against erosion by the appropriate material such a riprap.

If necessary, diversions will be used to direct runoff to the trapping structure. Diversions must be stabilized immediately and prior to becoming functional.

For locations served by a common drainage where a detention basin providing 3600 cubic feet of storage is not attainable, silt fences, rock check dams, sediment traps in series or equivalent or additional sediment and erosion controls within the project area are required in lieu of the required sized sediment basin. Justification and a narrative description of the additional measures must be provided for use of any practice(s) other than sediment basins or traps.

Fill slopes must be protected by measures used to divert runoff away from fill slopes to conveyance measures such as pipe slope drains or stable channels. Sediment trapping structures will be eliminated, and the area properly reclaimed and stabilized, when the contributing drainage area is stabilized and the structures are no longer needed, unless the structure is converted into a permanent storm water detention/retention structure. All trapped sediments will be disposed on in an upland area where there is no chance of entering nearby streams. Breaching the embankment to dewater the structure is not permitted. Dewatering and removal of the structure should not cause a violation of water quality standards. Provide a description of the procedures that will be used in removing these structures and the time frame.

No sediment-laden water will be allowed to leave the site without going through an appropriate device.

#### G.4.e.2.A.iii Presumptive Conditions for Discharges to Tier 2.5 Waters

Construction activities discharging to Tier 2.5 waters will be deemed not to cause significant degradation if, in addition to the standard General Permit conditions, the following presumptive conditions are met. Projects that do not meet the presumptive conditions will be required to seek coverage under an individual permit.

- (a.) An undisturbed buffer zone shall be maintained between the construction activity and the stream of at least 100 feet. Certain limited construction activities may be allowed within the buffer zone and considered consistent with these criteria, if it is demonstrated that such construction is necessary and unavoidable. Examples would include road construction necessary to access the site, installation of water quality protective measures that could not otherwise be constructed, or the construction of linear projects such as utility lines or highways, whose alignment cannot avoid the stream. In those circumstances, any buffer waiver would apply only to the area needed to construct that portion of the facility. Any temporary structures allowed within the buffer zone must be removed upon completion of construction and the area re-vegetated, preferably with native or non-invasive plants.

BUYER CB-23	PAGE 049	REQ. OR PO NO. DEP 13007
SPENDING UNIT WEST VIRGINIA DEPARTMENT OF ENVIRONMENTAL PROTECTION/OFFICE OF SPECIAL RECLAMATION		

- (b.) Permanent structural measures shall be provided to attenuate storm water runoff such that the pre-construction peak discharge rate is not exceeded for the 1 year, 24 hour storm. The storm water management plan shall also discuss BMP's to be implemented to reduce potential storm water pollutants from the site.
- (c.) All disturbed areas shall be seeded and mulched immediately upon reaching final grade. In the event the construction activity stops for 2 weeks or more in an area, that area will be immediately seeded and mulched with a temporary vegetative cover.

G.4.e.2.(B) Storm Water Management Plan

A description of measures that will be installed during construction to control storm water discharges after the project is completed shall be included in the storm water pollution prevention plan. The completed project shall convey storm water runoff in a manner that will protect both the site and the receiving stream from post-construction erosion. All waterways and other runoff conveyance structures shall be permanently stabilized as appropriate for expected flows. In developing structural practices for storm water control, the operator shall consider the use of, but not limited to: infiltration of runoff onsite; flow attenuation by use of open vegetated swales and natural depressions; storm water retention structures and storm water detention structures. A combination of practices may be utilized. Low impact development technology is encouraged to minimize alteration of the pre-construction site hydrology. Velocity dissipation devices shall be placed at the outlet of all detention or retention structures and along the length of any outlet channel as necessary to provide a non-erosive velocity flow from the structure to a natural water course. Projects that increase the impervious surface on the project area by fifteen percent (15%) or more shall demonstrate that existing channel characteristics in the

natural watercourse will not be altered by the storm water discharge. This provision may be complied with by:

- i. providing structural measures to attenuate the storm water runoff so that the pre-construction peak discharge rate is not exceeded; or
- ii. providing a hydrologic and/or geomorphic assessment that demonstrates that the increased peak discharge rate can be accommodated by the receiving stream without altering the existing channel characteristics (increased bank erosion or channel instability).

Projects located in areas that have local government requirements and/or criteria for post construction storm water management may address Item (i) by meeting those requirements. If local storm water management criteria have not been established, the design shall address maintenance of pre-construction flows for the 1 year, 24-hour storm. Alternative design measures will be considered with technical justification provided by the applicant. All designs for this provision should consider reduction of both the frequency and duration of peak flow rates. Item (ii) should be addressed by demonstration that the receiving natural channel can convey the developed condition 1 year, 24-hour storm within the channel banks and at a non-erosive velocity. A detailed assessment will not be required for Item (ii) if the proposed discharge rate is one (1) percent or less of the expected flow rate for the receiving stream at the point of discharge (for the 1 year, 24 hour storm) or the project is less than (3) acres in size (unless required by local government).

Projects that are expected to significantly increase peak storm water discharge rates should also consider control of storm water discharges for flood protection purposes (out of bank flooding). Flood protection would be considered at a minimum as control of the post-construction peak discharge rate for a 10-year, 24-hour storm to the pre-construction peak discharge rate. However, the level of protection should be based on the hazard involved to downstream life and property. The permittee shall be required to meet any local government or other agency requirements for storm water management and provide verification thereof (See Section D below).

BUYER CB-23	PAGE 050	REQ. OR PO NO. DEP 13007
SPENDING UNIT WEST VIRGINIA DEPARTMENT OF ENVIRONMENTAL PROTECTION/OFFICE OF SPECIAL RECLAMATION		

The permittee shall submit all calculations, watershed mapping, design drawings, and any other information necessary to explain the technical basis for the storm water management plan. Since development site conditions vary widely, plan preparer's will have significant latitude in designing practices to comply with this provision of the permit. However, design procedures shall follow professionally accepted engineering and hydrologic methodologies. Permanent storm water management structures that will impound water (detention/retention basins or similar structures) shall be designed and certified by a Registered Professional Engineer. These structures shall also have a certified as-built drawing submitted with the Notice of Termination at the completion of the project. Permittees are only responsible for the installation and maintenance of storm water management facilities prior to final stabilization of the site and termination of General Permit coverage, however the entity responsible for post-construction maintenance shall be identified.

G.4.e.3.C) Other Controls

G.4.e.2.C.(i) Waste Disposal –All solid waste and construction/demolition material must be disposed of in accordance with the Code of West Virginia and Legislative Rule Title 33 Series 1, "Solid Waste Management Rule".

G.4.e.2.C. (ii) Each site shall have stone access entrance and exit drives and parking areas to reduce the tracking of sediment onto public or private roads. Except for haul roads, all unpaved roads on the site carrying more than 25 vehicles per day shall be graveled.

G.4.e.2.C (iii) The plan shall ensure and demonstrate compliance with applicable State, local sanitary sewer or septic system regulations.

G.4.e.2.C (iv) Groundwater Protection Plan (GPP) – The applicant shall prepare a GPP that will satisfy the State's Groundwater Protection Act. Projects proposing permanent storm water ponds or basins will submit the GPP for review.

G.4.e.2.(D) Approved State or Local Plans

Facilities which discharge storm water associated with industrial activity from construction activities must include in their storm water pollution prevention plan procedures and requirements specified in applicable sediment and erosion site plans or storm water management plans approved by State or local officials. Sediment and erosion control or storm water management plans approved by other state or local programs and that are either incorporated by reference in the General Permit or a part of an approved SWPPP, may be enforced under this permit. Certification of compliance with the state or local ordinances must be included in the application.

G.4.e.2.(E) Maintenance

A description of procedures to maintain in good and effective condition and promptly repair or restore all grade surfaces, walls, dams and structures, vegetation, erosion and sediment control measures and other protective devices identified in the site plan. At a minimum, procedures in a plan shall provide that all erosion controls on the site are inspected at least once every seven calendar days and within 24 hours after any storm event of greater than 0.5 inches of rain per 24 hour period.

G.4.f) All Storm Water Pollution Prevention Plans and Groundwater Protection Plans required under this permit are considered reports that shall be available to the public under Section 308(b) of the CWA. The owner or operator of a project with storm water discharges covered by this permit shall make plans available to members of the public upon request by the public.

However, the permittee may claim any portion of a Storm Water Pollution Plan or Groundwater Plan as confidential in accordance with 47 CSR 10-12.7.



BUYER CB-23	PAGE 051	REQ. OR PO NO. DEP 13007
SPENDING UNIT WEST VIRGINIA DEPARTMENT OF ENVIRONMENTAL PROTECTION/OFFICE OF SPECIAL RECLAMATION		

.4.g) No condition of this permit shall release the permittee from any responsibility or requirements under other environmental statutes or regulations.

G.4.h) Permanent ponds and basins and ponds and basins that will remain in use for more than one year must be designed and certified by a Registered Professional Engineer.

G.5. Discharges to Impaired Waters

This permit does not authorize new sources or new discharges of constituents of concern to impaired waters unless consistent with the approved Total Maximum Daily Load (TMDL) and applicable state law. Impaired waters are those that do not meet applicable water quality standards and are listed on the Clean Water Act Section 303(d) list. Pollutants of concern are those constituents for which the water body is listed as impaired. Discharges of pollutants of concern to impaired water bodies for which there is an approved total maximum daily load (TMDL) are not eligible for coverage under this permit unless they are consistent with the approved TMDL. Within six months of the TMDL approval, permittees must incorporate any limitations, conditions, or requirements applicable to their discharges necessary for compliance with the TMDL, including any monitoring or reporting required by DWR rules, into their storm water pollution prevention plan in order to be eligible for coverage under this general permit.

Sites that discharge into a receiving water which has been listed on the Clean Water Act 303(d) list of impaired waters, and with discharges that contain the pollutant(s) for which the water body is impaired, must document in the SWPPP how the BMP's will control the discharge of the pollutant(s) of concern.

G.6. Endangered and Threatened Species

If a site discharges to a stream where a Federally endangered or threatened species or its habitat are present, the applicant should contact the US Fish and Wildlife Service to insure that requirements of the Federal Endangered Species Act are met.

H. Reopener Clause

If there is evidence indicating potential or realized impacts on water quality due to any storm water discharge associated with industrial activity covered by this permit, the owner or operator of such discharge may be required to obtain an individual permit or alternative general permit in accordance with Section G.1. of this permit or the permit may be modified to include different limitations and/or requirements.

I. The conditions, standards, and limitations of this General Permit will be reviewed at the time of reissuance for possible revisions that may lead to more or less stringent conditions, standards, and limitations.

J. Permit coverage for construction activities encompassed by this permit expires upon satisfactory stabilization of the site. Satisfactory stabilization means **ALL** disturbed areas shall be covered by some sort of permanent protection. "Stabilize" includes; pavement, buildings, waterways (rip-rap, concrete, grass, or pipe), a healthy, vigorous stand of grass that uniformly covers more than 70 percent of the ground, stable outlet channels with velocity dissipation which directs site runoff to a natural watercourse, and any other approved structure or material. The permittee will request a final inspection by sending in the "Notice of Termination". The "Notice of Termination" shall also include as-built drawings, certified by a Registered Professional Engineer, for any permanent ponds or basins. Sites not stabilized will continue to have coverage under this permit and will be assessed an annual permit fee as promulgated by the West Virginia Legislature. Sites will be assessed a pro-rated annual fee based upon the completion date and proper stabilization.

\*\*\*\*\*

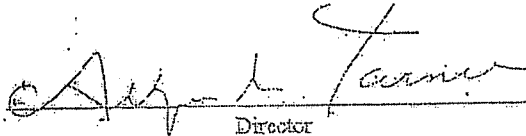


BUYER CB-23	PAGE 052	REQ. OR PO NO. DEP 13007
SPENDING UNIT WEST VIRGINIA DEPARTMENT OF ENVIRONMENTAL PROTECTION/OFFICE OF SPECIAL RECLAMATION		

The herein-described activity is to be constructed or installed and operated, used and maintained strictly in accordance with the terms and conditions of this permit; with any plans, specifications, and information submitted with the individual site registration application form, with any plan of maintenance and method of operation thereof submitted and with any applicable rules and regulations promulgated by the State Environmental Quality Board.

Failure to comply with the terms and conditions of this permit, with any plans, specifications and information submitted, and with any plan of maintenance and method of operation thereof submitted shall constitute grounds for the revocation or suspension of this permit to any individual establishment or other person and for the invocation of all the enforcement procedures set forth in Chapter 22, Articles 11, and J.2 of the Code of West Virginia.

This permit is issued in accordance with the provisions of Article 11, Chapter 22 of the Code of West Virginia.

Ely:   
Director

BUYER CB-23	PAGE 053	REQ. OR. PO. NO. DEP 13007
SPENDING UNIT WEST VIRGINIA DEPARTMENT OF ENVIRONMENTAL PROTECTION/OFFICE OF SPECIAL RECLAMATION		



**Joe Manchin, III,**  
Governor



Stephanie Timmermeyer,  
Cabinet Secretary



Ken Ellison,  
Director

**STATE OF WEST VIRGINIA**  
**DEPARTMENT OF ENVIRONMENTAL PROTECTION**

**Division of Land Restoration**  
**Office of Special Reclamation**

Project Cost: \$XXX,XXX.00  
Funding provided by the Special Reclamation Coal Tax paid by WV Coal Mine Companies

Permit Name Permit Number	Project Start Date: 01/01/01
------------------------------	------------------------------

Contractor: Joe Smith Contracting



BUYER CB-23	PAGE 055	REQ. OR PO NO. DEP 13007
SPENDING UNIT WEST VIRGINIA DEPARTMENT OF ENVIRONMENTAL PROTECTION/OFFICE OF SPECIAL RECLAMATION		

96"



Joe Manchin, III,  
Governor

**STATE OF WEST VIRGINIA  
DEPARTMENT OF ENVIRONMENTAL PROTECTION**

**Division of Land Restoration  
Office of Special Reclamation**

Project Cost: \$XXX,XXX.00  
Funding provided by the Special Reclamation Coal Tax paid by WV Coal Mine Companies

48"



Stephanie Timmermeyer,  
Cabinet Secretary

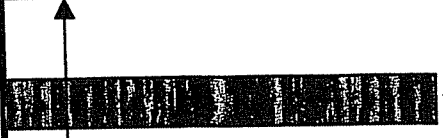
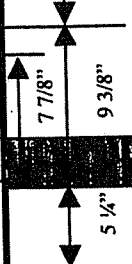


Ken Ellison,  
Director

Permit Name  
Permit Number

Contractor: Joe Smith Contracting

Project Start Date: 01/01/01



81 3/8"



1 1/2" Joe Manchin, III,  
1/4" Governor  
1 1/4"



1" Stephanie Limmermeyer,  
3/4" Cabinet Secretary  
1"



1" Ken Ellison,  
3/4" Director  
1"

6" STATE OF WEST VIRGINIA  
2 1/4"  
1 1/4"  
2 1/4"  
3 3/4"  
2 1/4"  
1 1/4"  
2 1/4"  
3 3/4"  
1 1/4"  
4 7/8"  
2 1/4"  
1 1/4"  
2 1/4"  
4 7/8"  
1 1/4"  
3 3/4"

**DEPARTMENT OF ENVIRONMENTAL PROTECTION**

**Division of Land Restoration**

**Office of Special Reclamation**

Project Cost: \$XXX,XXX.00  
Funding provided by the Special Reclamation Coal Tax paid by WV Coal Mine Companies

Permit Name

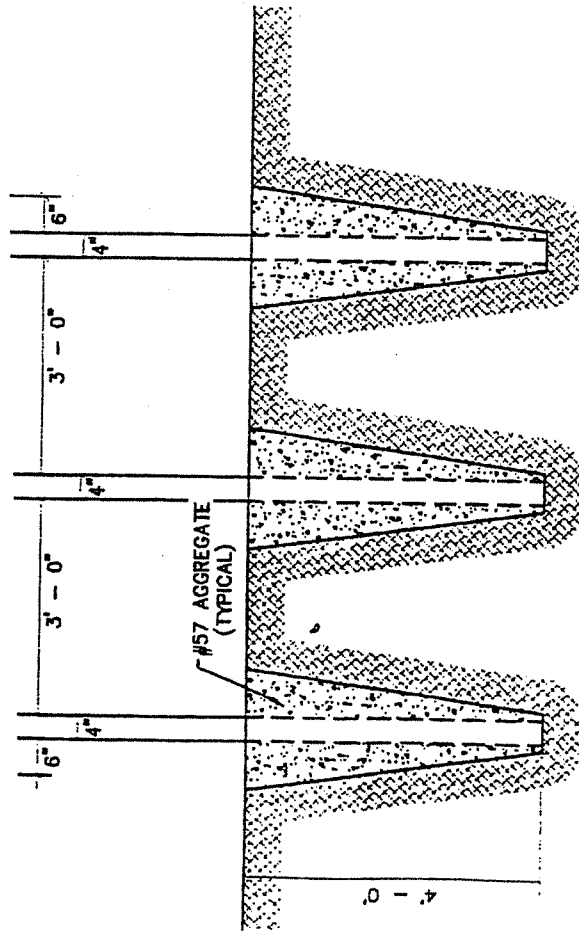
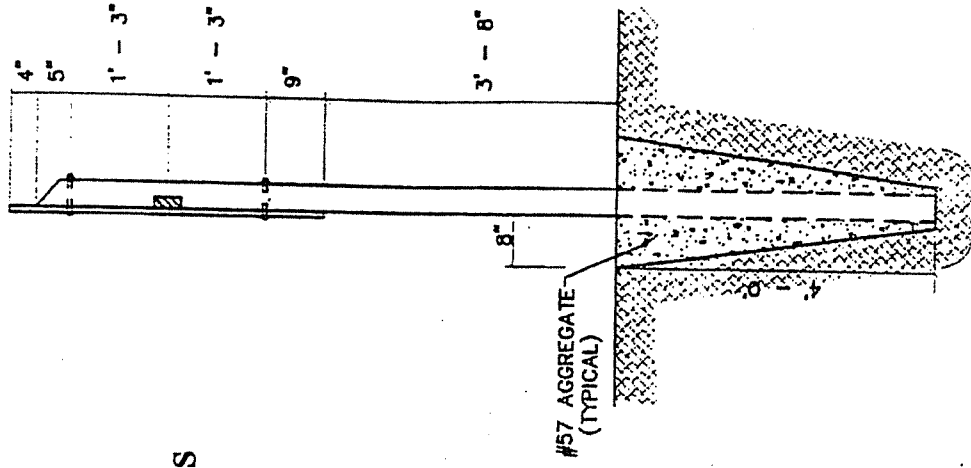
Permit Number

Contractor: Joe Smith Contracting Project Start Date: 01/01/01

BUYER CB-23	PAGE 057	REQ. OR PO NO. DEP 13007
SPENDING UNIT WEST VIRGINIA DEPARTMENT OF ENVIRONMENTAL PROTECTION/OFFICE OF SPECIAL RECLAMATION		

## Notes:

1. Sign Board to be  $\frac{3}{4}$ " by 4' X 8' Marine Plywood
2. Sign Board Color is to be White and  
Letter Colors are to be Dark Green
3. 2" X 4" Treated Cross Brace Let into Posts
4. Mount sign to Posts using 3/8" X 5" Galvanized Carriage Bolts
5. Posts are to be Treated 4" X 4" X 12'
6. Location determined WVDEP

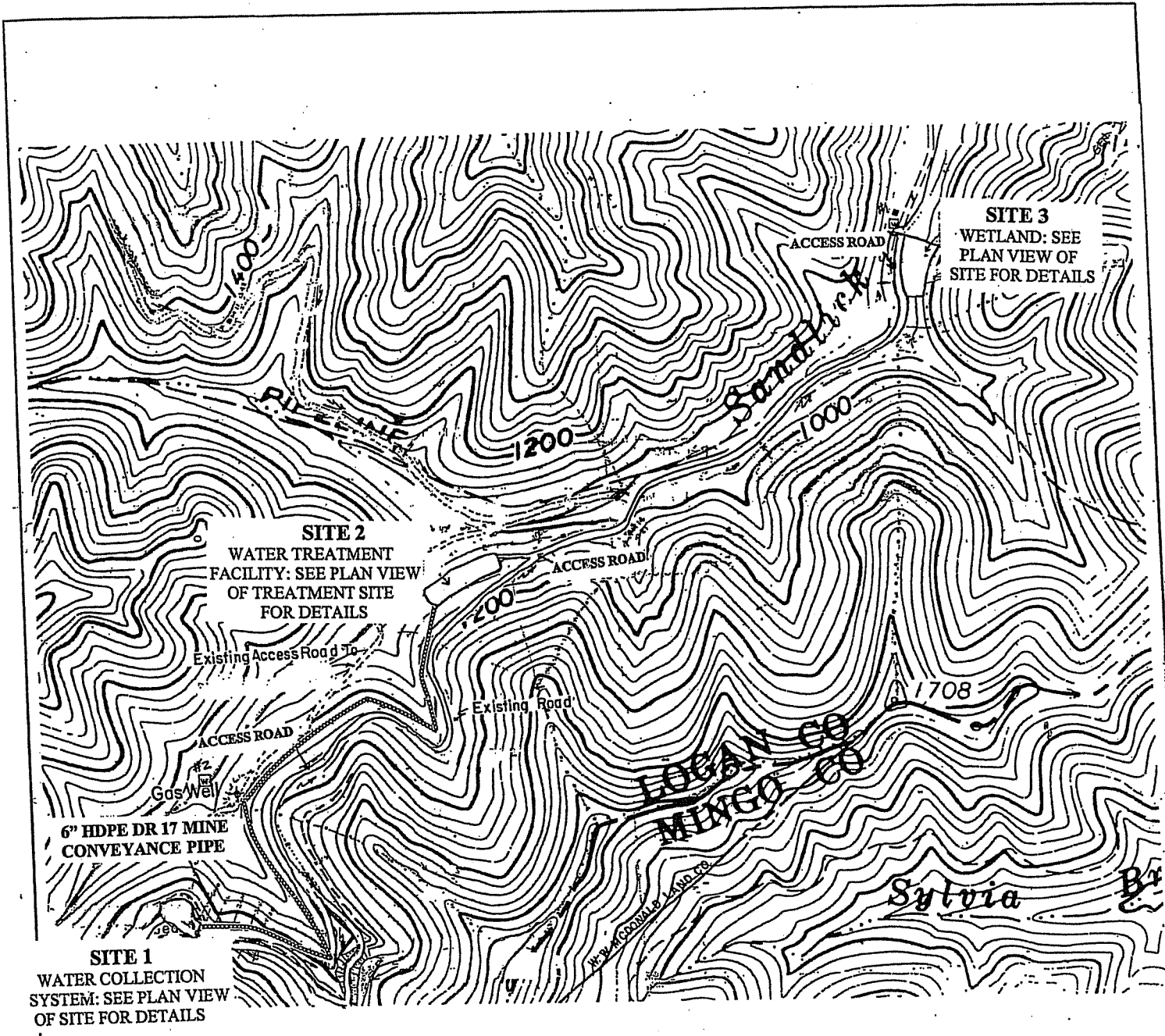


BUYER CB-23	PAGE 058	REQ. OR PO NO. DEP 13007
SPENDING UNIT WEST VIRGINIA DEPARTMENT OF ENVIRONMENTAL PROTECTION/OFFICE OF SPECIAL RECLAMATION		

This page was intentionally left blank

WV-36a STATE OF WEST VIRGINIA  
 REV. 1/29/02 PURCHASING CONTINUATION SHEET  
 VENDOR:

BUYER CB-23	PAGE 059	REQ. OR PO NO DEP.
SPENDING UNIT WEST VIRGINIA DEPARTMENT OF ENVIRONMENTAL PROTECTION / OFFICE OF SPECIAL RECLAMATION		



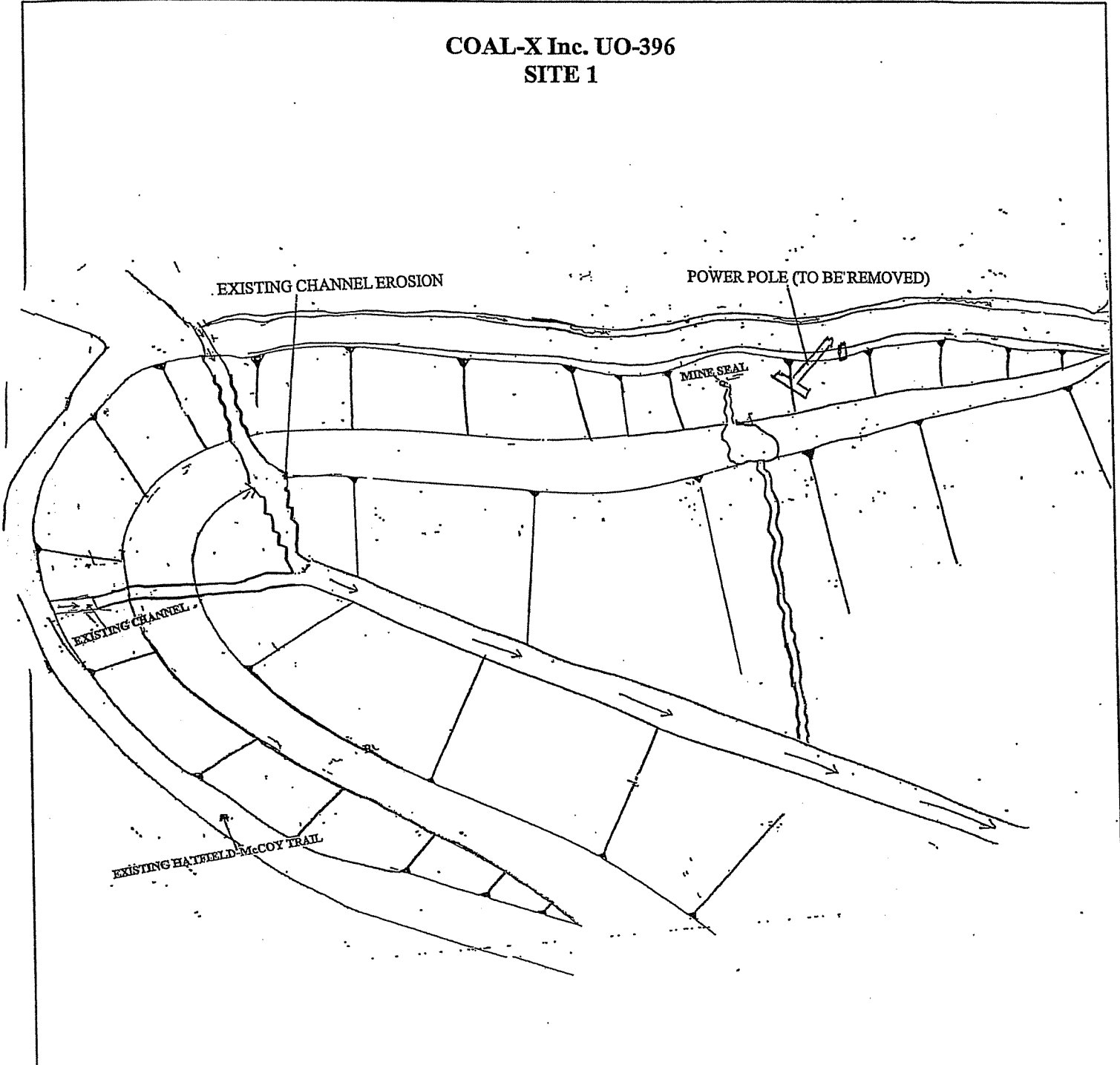
OFFICE OF SPECIAL RECLAMATION	
COAL-X INC. UO-396	
OVERALL SITE PLAN	
SCALE: NOT TO SCALE	DRAWN BY:
DATE:	PROJECT NO:



WV-36a STATE OF WEST VIRGINIA  
REV. 1/29/02 PURCHASING CONTINUATION SHEET  
VENDOR:

BUYER CB-23	PAGE 060	REQ. OR PO NO DEP. 13007
SPENDING UNIT WEST VIRGINIA DEPARTMENT OF ENVIRONMENTAL PROTECTION / OFFICE OF SPECIAL RECLAMATION		

COAL-X Inc. UO-396  
SITE 1

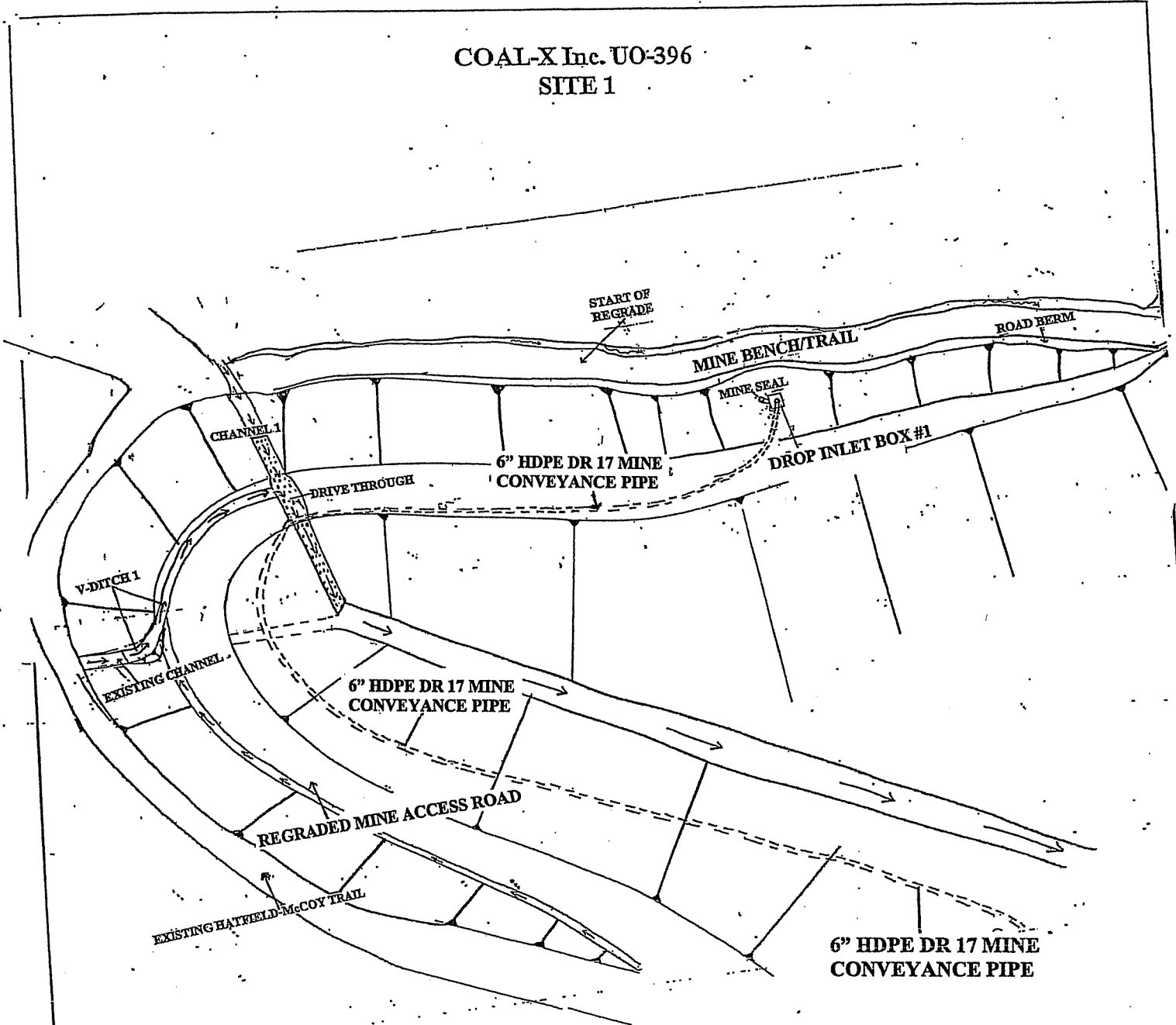


OFFICE OF SPECIAL RECLAMATION SITE 1 EXISTING CONDITIONS TYPICAL ATTACHMENT	
SCALE: NOT TO SCALE	DRAWN BY:
DATE:	PROJECT NO:

WV-36a STATE OF WEST VIRGINIA  
 REV. 1/29/02 PURCHASING CONTINUATION SHEET  
 VENDOR:

BUYER CB-23	PAGE 061	REQ. OR PONO DEP. 13007
SPENDING UNIT WEST VIRGINIA DEPARTMENT OF ENVIRONMENTAL PROTECTION / OFFICE OF SPECIAL RECLAMATION		

COAL-X Inc. UO-396  
 SITE 1

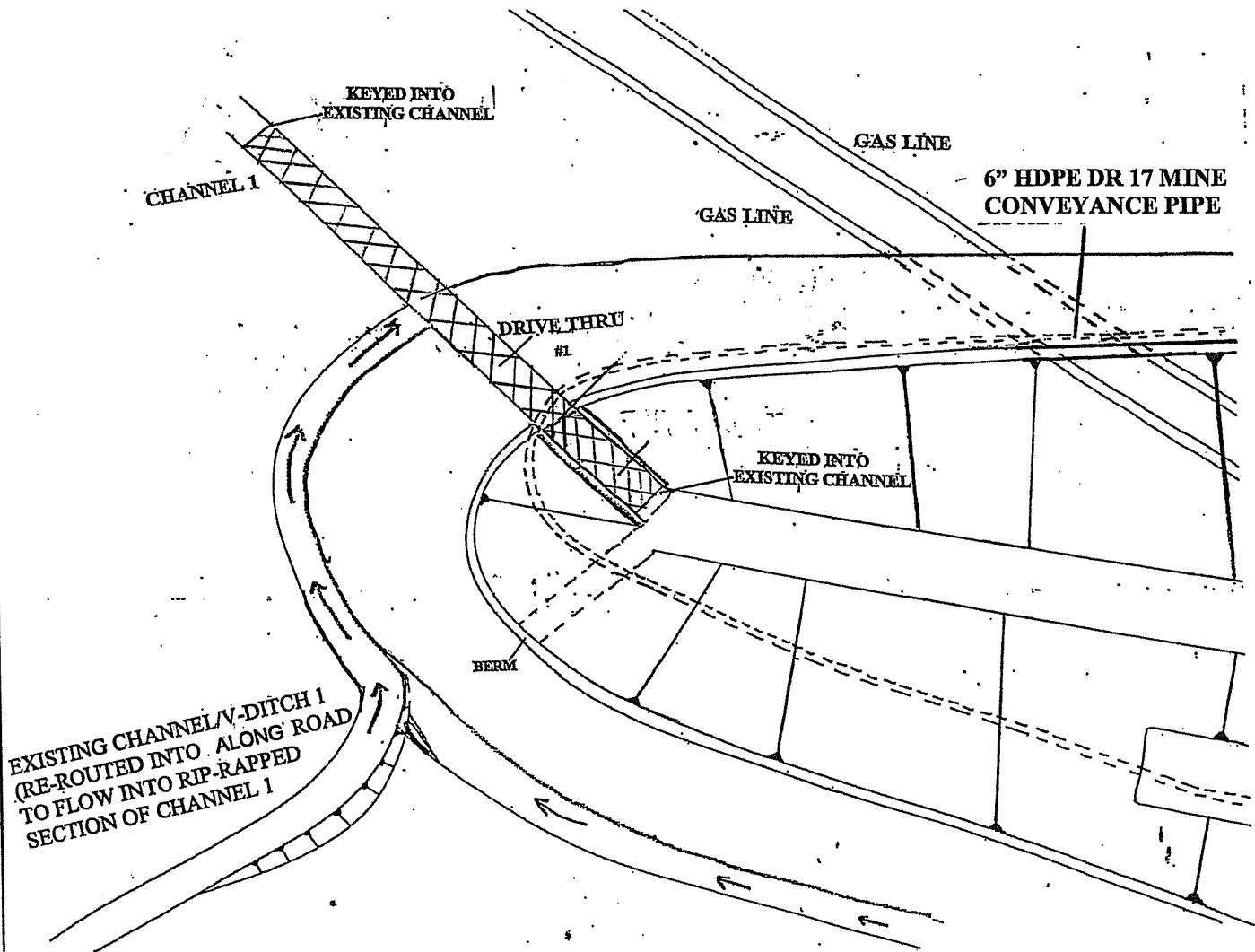


OFFICE OF SPECIAL RECLAMATION SITE 1 PLAN ATTACHMENT ACCESS ROAD VIEW	
SCALE: NOT TO SCALE	DRAWN BY:
DATE:	PROJECT NO:

WV-36a STATE OF WEST VIRGINIA  
 REV. 1/29/02 PURCHASING CONTINUATION SHEET  
 VENDOR:

BUYER CB-23	PAGE 062	REQ. OR PO NO DEP. 13007
SPENDING UNIT WEST VIRGINIA DEPARTMENT OF ENVIRONMENTAL PROTECTION / OFFICE OF SPECIAL RECLAMATION		

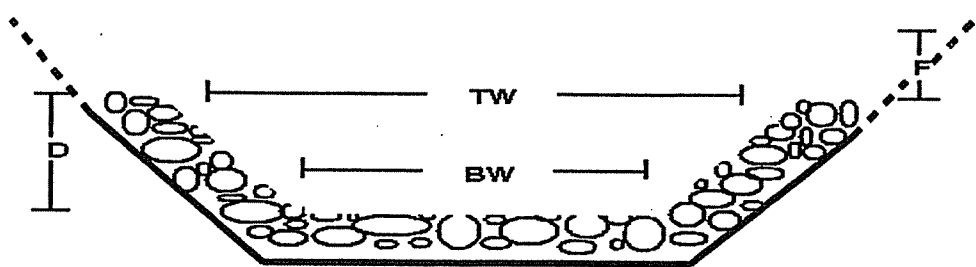
COAL-X Inc. UO-396  
 SITE 1



EXISTING CHANNEL/V-DITCH 1  
 (RE-ROUTED INTO ALONG ROAD  
 TO FLOW INTO RIP-RAPPED  
 SECTION OF CHANNEL 1

OFFICE OF SPECIAL RECLAMATION	
SITE 1 PLAN ATTACHMENT	
SCALE: NOT TO SCALE	DRAWN BY:
DATE:	PROJECT NO:

COAL-X Inc. UO-396  
 SITES 1 AND 2



TYPICAL TRAPEZOIDAL CHANNEL X-SECTION

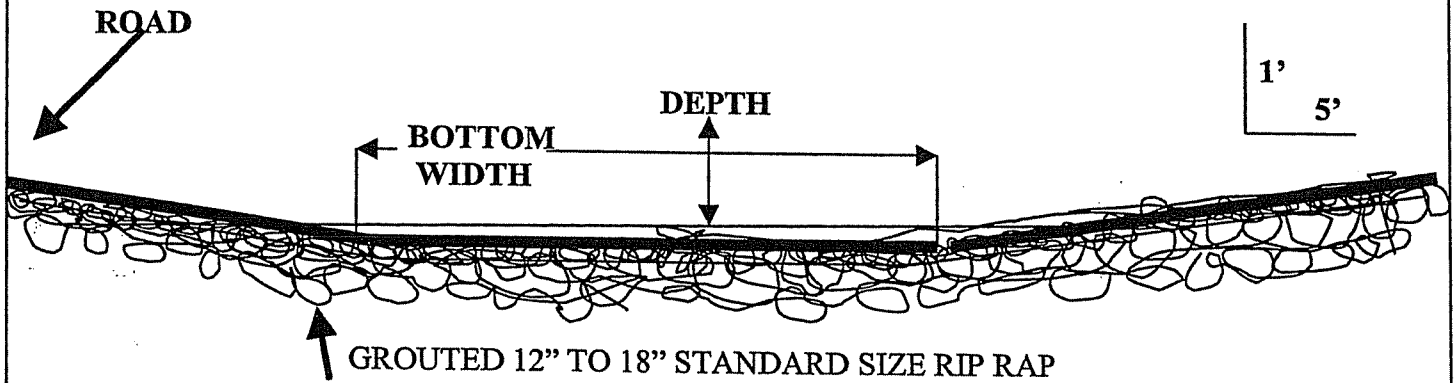
Channel No.	Finished Depth (D)	Top Width (TW)	Bottom Width (BW)	Lining	Comments/Specifications
Pond 2 spillway	1.0	14.0	10.0	Grouted riprap	1 ft keyed into pond embankment and tie pond 3 embankment
Pond 3 spillway	1.0	14.0	10.0	Grouted riprap	1 ft keyed into pond embankment and tie into pond 4 embankment
Pond 4 spillway	1.0	14.0	10.0	Grouted riprap	1 ft keyed into pond embankment and tie into Concrete Headwall #7
Drying cell 1 spillway	1.0	14.0	10.0	Grouted riprap	1 ft keyed into cell embankment onto both sides
Channel 1	1.0	16.0	12.0	Grouted riprap	1 ft keyed into original ground on both ends of ditch
Channel 2	1.0	14.0	10.0	Limestone riprap	Extends from Concrete Headwall #8 and tie into existing stream channel
Channel 3	1.0	8.0	4.0	Limestone riprap	Extends from Concrete Headwall #9 to Sludge Drying Cell #1
Wetland spillway	1.0	14.0	10.0	Limestone riprap	Extends from wetland to existing stream channel

**NOTE: ALL GROUTED CHANNELS MUST BE CONSTRUCTED WITH 100% PENETRATION OF GROUT THROUGHOUT THE CHANNEL SECTIONS. ALL CHANNELS WILL HAVE 2H TO 1V SIDE SLOPES and ONE (1) FOOT OF FREEBOARD (F). ALL MEASUREMENTS ARE IN FEET.**

OFFICE OF SPECIAL RECLAMATION	
TRAPEZOIDAL CHANNEL TYPICAL ATTACHMENT	
SCALE: NOT TO SCALE	DRAWN BY:
DATE:	PROJECT NO:

BUYER CB-23	PAGE 064	REQ. OR PO NO DEP. 13007
SPENDING UNIT WEST VIRGINIA DEPARTMENT OF ENVIRONMENTAL PROTECTION / OFFICE OF SPECIAL RECLAMATION		

COAL-X  
 UO-396  
 SITE 1

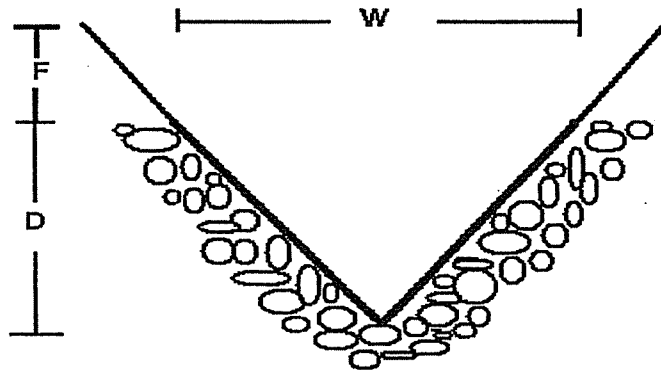


NOTE: ENTRANCE AND EXIT THROUGH TRAPEZOIDAL CHANNEL 1 IS TO HAVE A 5' TO 1' SIDE SLOPE ON CHANNEL BANKS WHERE ROAD INTERSECTS CHANNEL. ROAD MATERIAL IN CROSSINGS IS TO BE GROUTED STANDARD SIZE SANDSTONE OR LIMESTONE RIP RAP 12" to 18".

CHANNEL	BOTTOM WIDTH	DEPTH
CHANNEL 1	12.0'	1.0'

OFFICE OF SPECIAL RECLAMATION	
SITE 1 DRIVE THROUGH TYPICAL DRAWING ATTACHMENT	
SCALE: NOT TO SCALE	DRAWN BY:
DATE:	PROJECT NO:

COAL-X Inc. UO-396  
 SITES 1 AND 2



TYPICAL V-DITCH X-SECTION

DITCH	FINISHED DEPTH (D)	FINISHED TOP WIDTH (W)	LINING
1	2.0	8.0	LIMESTONE RIPRAP
2	2.0	8.0	LIMESTONE RIPRAP

NOTE: ONE (1) FT. FREEBOARD (F) FOR ALL DITCHES. DITCH SIDES WILL HAVE 2H to 1V SLOPES.

NOTE: FREEBOARD ON DITCH #1 PROVIDED BY SLOPE (GRADE) OF ROAD SURFACE PLUS BERM..

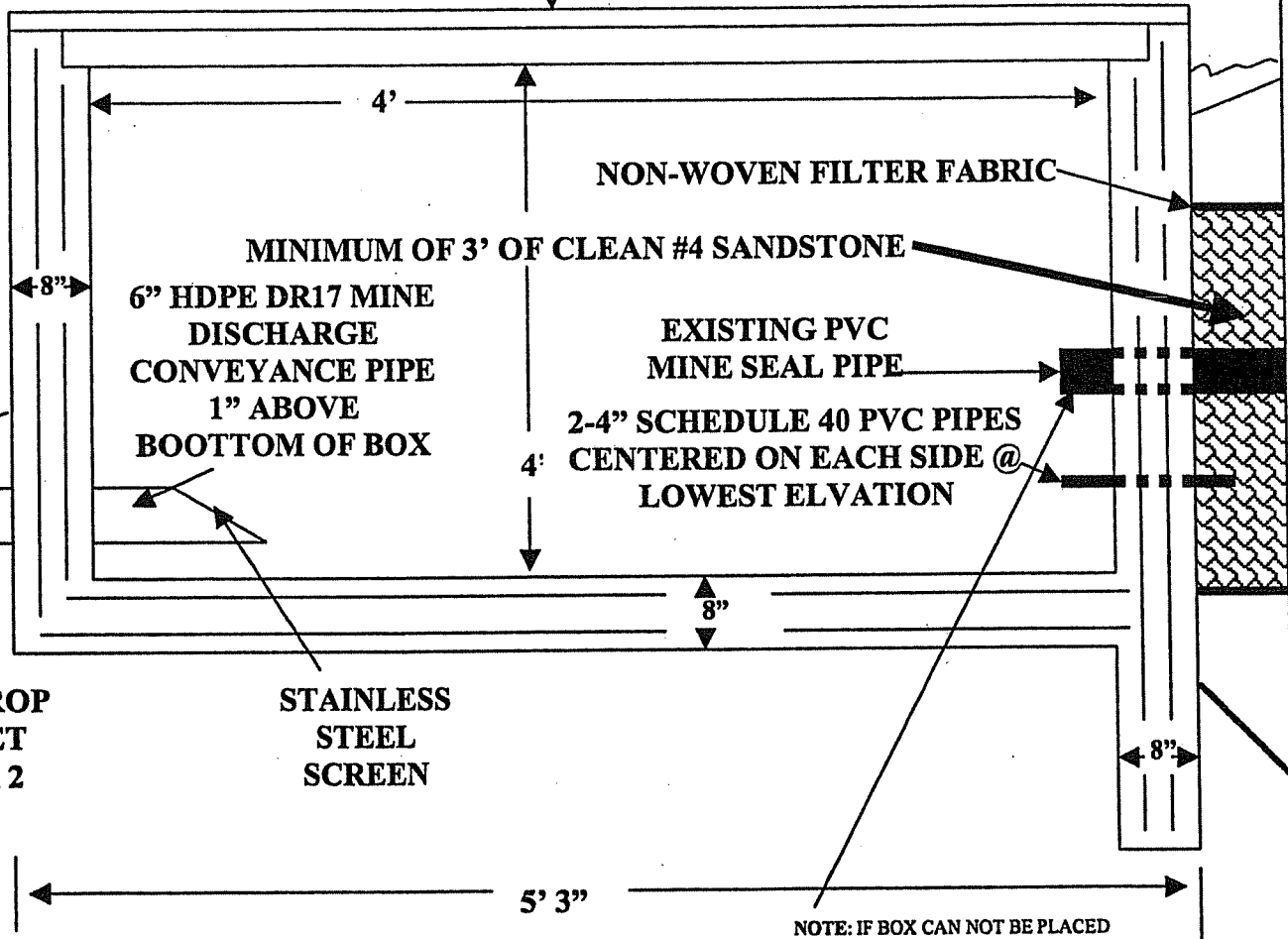
OFFICE OF SPECIAL RECLAMATION	
V-DITCH TYPICAL ATTACHMENT	
SCALE: NOT TO SCALE	DRAWN BY:
DATE:	PROJECT NO:

WV-36a STATE OF WEST VIRGINIA  
 REV. 1/29/02 PURCHASING CONTINUATION SHEET  
 VENDOR:

BUYER CB-23	PAGE 066	REQ. OR PO NO DEP. 13007
SPENDING UNIT WEST VIRGINIA DEPARTMENT OF ENVIRONMENTAL PROTECTION / OFFICE OF SPECIAL RECLAMATION		

COAL-X INC.  
 UO-396 SITE 1

TOP LOCKING COVER WITH ACCESS DOOR



TO DROP  
 INLET  
 BOX 2

STAINLESS  
 STEEL  
 SCREEN

NOTE: CONCRETE FOR COLLECTION BOX MUST MEET WVDOH SECTION 601 STANDARD SPECS. FOR CLASS "B" CONCRETE. TWO (2) LAYERS OF #5 REBAR ON 8" PATTERN FOR REINFORCEMENT.

NOTE: THE STAINLESS STEEL SCREEN SHALL BE SCREEN MESH WITH OPENINGS NO GREATER THAN 1/2" AND NO SMALLER THAN 1/4". IT SHALL BE ATTACHED WITH STAINLESS STEEL BOLTS DRILLED AND TAPPED INTO HDPE PIPE.

NOTE: IF BOX CAN NOT BE PLACED SUCH THAT EXISTING MINE SEAL PIPE CAN BE INSERTED, PIPE MUST BE EXTENDED TO DO SO WHICH WILL BE INCLUSIVE TO THE COST OF THE BOX

OFFICE OF SPECIAL RECLAMATION

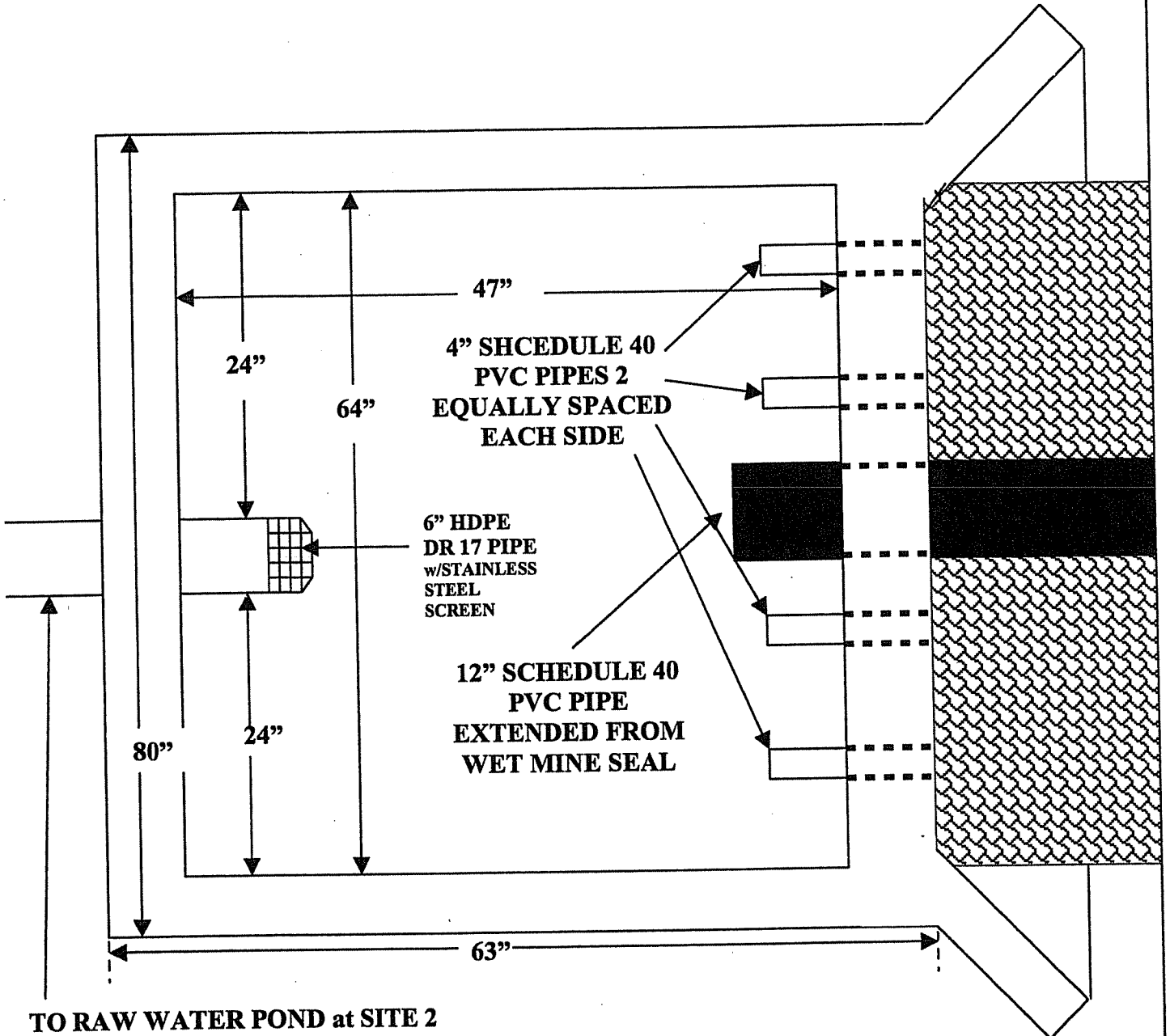
SITE 1 SEEP COLLECTION BOXES  
 TYPICAL ATTACHMENT

SCALE:  
 NOT TO SCALE  
 DATE:

DRAWN BY:  
 PROJECT NO:

BUYER CB-23	PAGE 06	REQ. OR PO NO DEP. 13007
SPENDING UNIT WEST VIRGINIA DEPARTMENT OF ENVIRONMENTAL PROTECTION / OFFICE OF SPECIAL RECLAMATION		

**COAL-X Inc. UO-396  
 SITE 1**



Note: Inlet Box will have a metal cover over the top that will act as an access door that is hinged and can be locked. See ACCESS DOOR SPECIFICATIONS. See CONCRETE DETAILS for specifications on Concrete and reinforcing used to construct box

<b>OFFICE OF SPECIAL RECLAMATION</b>	
<b>SITE 1 TOP VIEW OF DROP INLET    BOX #1 TYPICAL ATTACHMENT</b>	
SCALE: NOT TO SCALE	DRAWN BY:
DATE:	PROJECT NO:

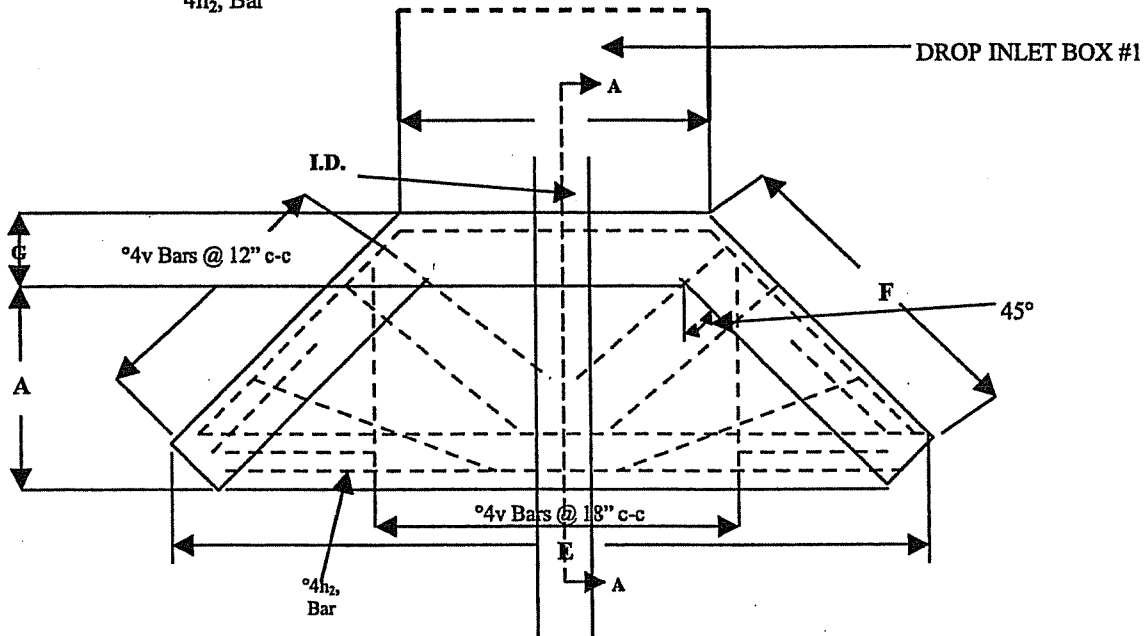
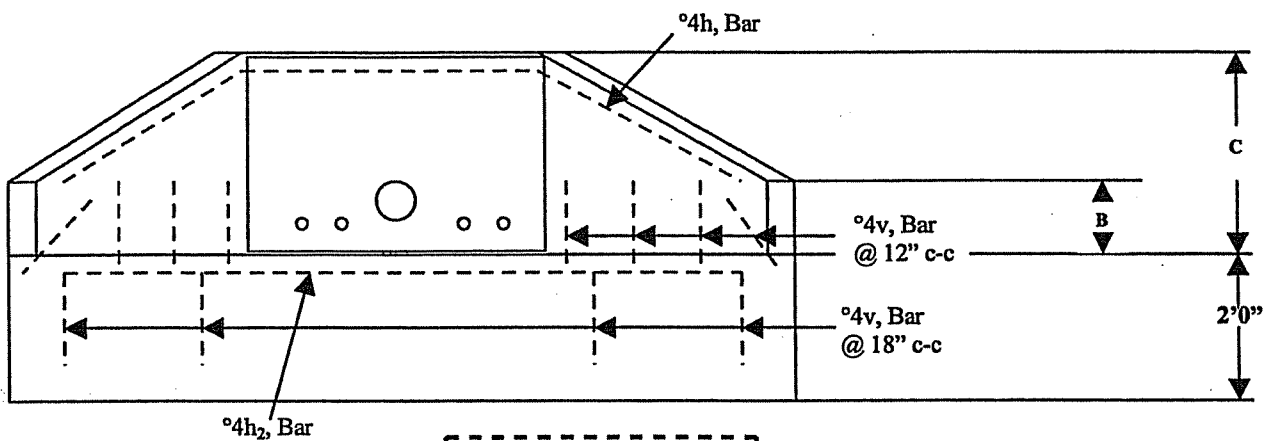


WV-36a STATE OF WEST VIRGINIA  
 REV. 1/29/02 PURCHASING CONTINUATION SHEET  
 VENDOR:

BUYER CB-23	PAGE 068	REQ. OR PO NO DEP 13007
SPENDING UNIT WEST VIRGINIA DEPARTMENT OF ENVIRONMENTAL PROTECTION / OFFICE OF SPECIAL RECLAMATION		

COAL-X Inc. UO-396  
 SITE 1

ELEVATION

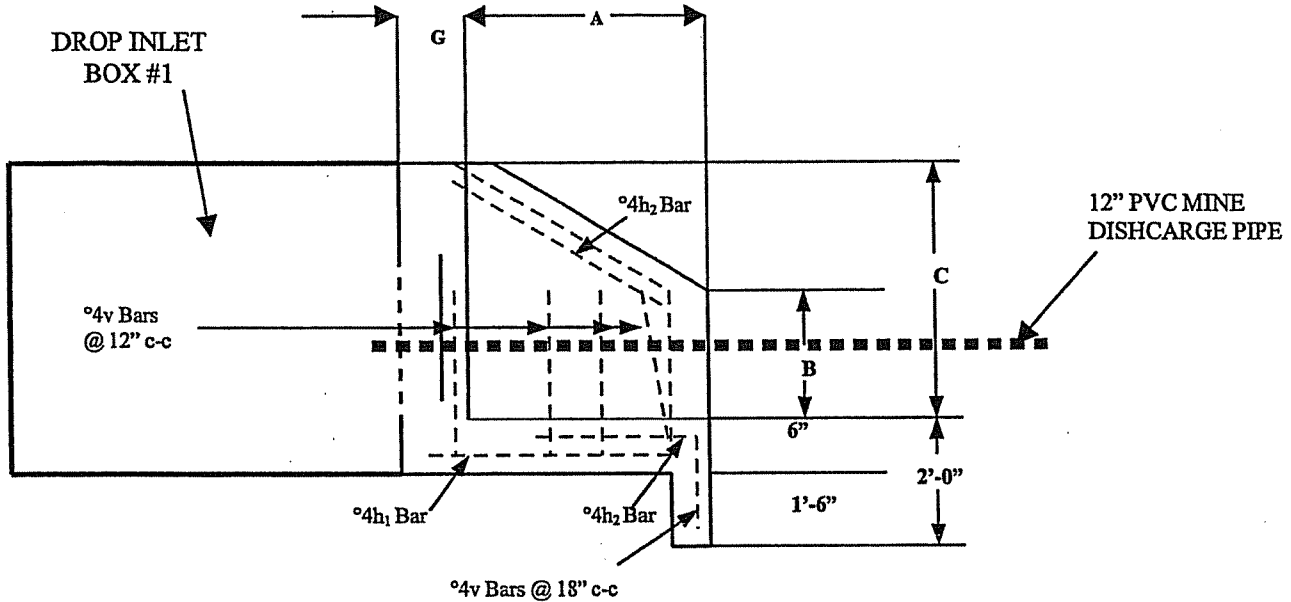


PLAN VIEW

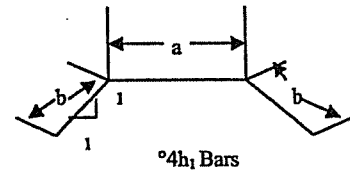
<b>OFFICE OF SPECIAL RECLAMATION</b>	
<b>SITE 1 TOP VIEW OF INLET BOX #1</b>	
<b>WINGWALLS ATTACHMENT #1</b>	
SCALE: NOT TO SCALE	DRAWN BY:
DATE:	PROJECT NO:

COAL-X Inc. UO-396  
 SITE 1

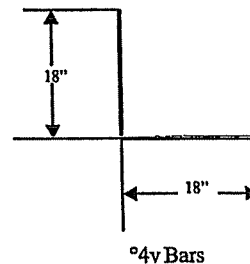
SECTION A-A



**NOTES:** All Concrete shall be Class B Concrete. Reinforcing steel shall be new billet steel and shall conform to the requirements of 709.1 of the WVDOH Specifications. The covering of Reinforcing Steel shall be 2" measured from the surface of the concrete to the face bar. All exposed edges shall have a 3/4" x 45° chamfer. Chamfer on vertical edges shall be continued to a minimum of one foot below finished ground line. If embankment slope above wingwalls is flatter than 2:1, provide wings for 2:1 slope and warp embankment to 2:1 slope at wingwall.



DETAILS OF BENT BARS



Inside Dia. of Pipe	Slope of Fill	DIMENSIONS								REINFORCEMENT					QUANTITIES				
		A	B	C	D	E	F	G	H	Mark	Size	No. of Bors	LENGTH a b Total	Type	CONCRETE (R.C.P.) C.Y.	STEEL (R.C.P.) LBS.			
12"	2:1	2'-0"	0'-10"	1'-11"	6'-0"	6'-2 1/2"	3'-3 3/4"	0'-8"	0'-5 1/2"	h <sub>1</sub>	#4	2	6'-0"	3'-2 1/2"	8'-3"	BENT	0.61	0.62	41.2
		2'-2"						0'-6"	0'-2 1/2"	h <sub>2</sub>	#4	1			6'-1"	ST.			
BEVEL-DEPTH=3/4" LENGTH=1'																			
18"	2:1	2'-0"	1'-1"	2'-2"	2'-3"	8'-10 1/2"	3'-3 3/4"	0'-8"	0'-5 1/2"	h <sub>1</sub>	#4	2	2'-1"	3'-2 1/2"	8'-6"	BENT	0.67	0.68	41.8
		2'-2"						0'-6"	0'-2 1/2"	h <sub>2</sub>	#4	1			6'-4"	ST.			
BEVEL-DEPTH=3/4" LENGTH=1 1/4"																			
24"	2:1	2'-8"	1'-4"	2'-9"	2'-11"	8'-10 1/2"	4'-2 1/2"	0'-8"	0'-5 1/2"	h <sub>1</sub>	#4	2	2'-9"	4'-1 1/2"	11'-0"	BENT	1.01	1.02	52.4
		2'-10"						0'-6"	0'-2 1/2"	h <sub>2</sub>	#4	1			8'-4"	ST.			
BEVEL-DEPTH=1" LENGTH=1 1/2"																			
30"	2:1	3'-1"	1'-7"	3'-3"	3'-5"	10'-4 1/2"	6'-11"	0'-8"	0'-5 1/2"	h <sub>1</sub>	#4	2	3'-3"	1'-2 1/2"	13'-0"	BENT	1.32	1.37	58.1
		3'-4"						0'-6"	0'-2 1/2"	h <sub>2</sub>	#4	1			9'-10"	ST.			
BEVEL-DEPTH=1 1/4" LENGTH=2'																			
36"	2:1	3'-5"	1'-10"	3'-10"	4'-1"	12'-4 1/2"	5'-10 1/2"	0'-8"	0'-5 1/2"	h <sub>1</sub>	#4	2	3'-11"	5'-9 1/2"	15'-6"	BENT	1.79	1.86	70.8
		4'-0"						0'-6"	0'-2 1/2"	h <sub>2</sub>	#4	1			11'-10"	ST.			
BEVEL-DEPTH=1 1/2" LENGTH=2 1/4"																			

\* DIMENSIONS FOR INLET WINGWALLS ON CORRUGATED METAL PIPE (TO ACCOMMODATE THE BEVEL).  
 † DIMENSIONS FOR INLET WINGWALLS ON CONCRETE PIPE AND ALL OUTLET WINGWALLS.

OFFICE OF SPECIAL RECLAMATION SITE 1 TOP VIEW OF INLET BOX #1 WINGWALLS ATTACHMENT #2	
SCALE: NOT TO SCALE	DRAWN BY:
DATE:	PROJECT NO:

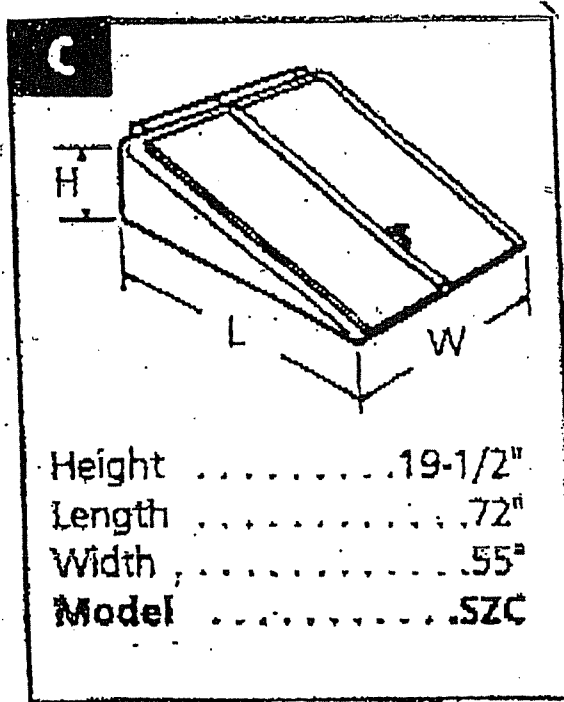
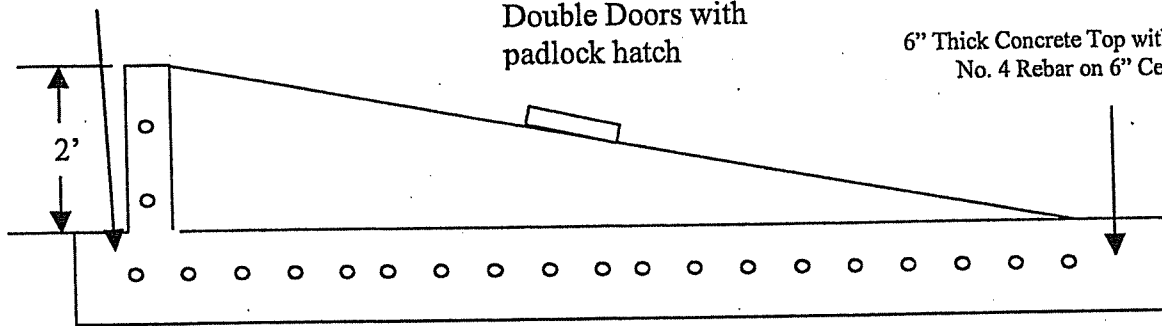
BUYER CB-23	PAGE 070	REQ. OR PO NO DEP. 13007
SPENDING UNIT WEST VIRGINIA DEPARTMENT OF ENVIRONMENTAL PROTECTION / OFFICE OF SPECIAL RECLAMATION		

**COAL-X Inc. UO-396  
 SITE 1 AND SITE 2**

6" Thick Concrete Top with 1 Mat of  
 No. 4 Rebar on 6" Centers

Basement/Cellar Type  
 Double Doors with  
 padlock hatch

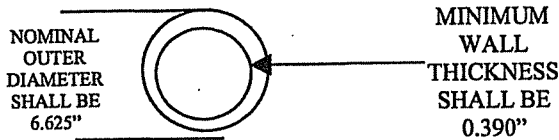
6" Thick Concrete Top with 1 Mat of  
 No. 4 Rebar on 6" Centers



**BASEMENT / CELLAR  
 DOORS**

<b>OFFICE OF SPECIAL RECLAMATION</b>	
<b>SITE 1 AND 2 INLET BOX DOOR</b>	
<b>TYPICAL ATTACHMENT</b>	
SCALE: NOT TO SCALE	DRAWN BY:
DATE:	PROJECT NO:

**Coal-X, Inc.  
 UO-396**



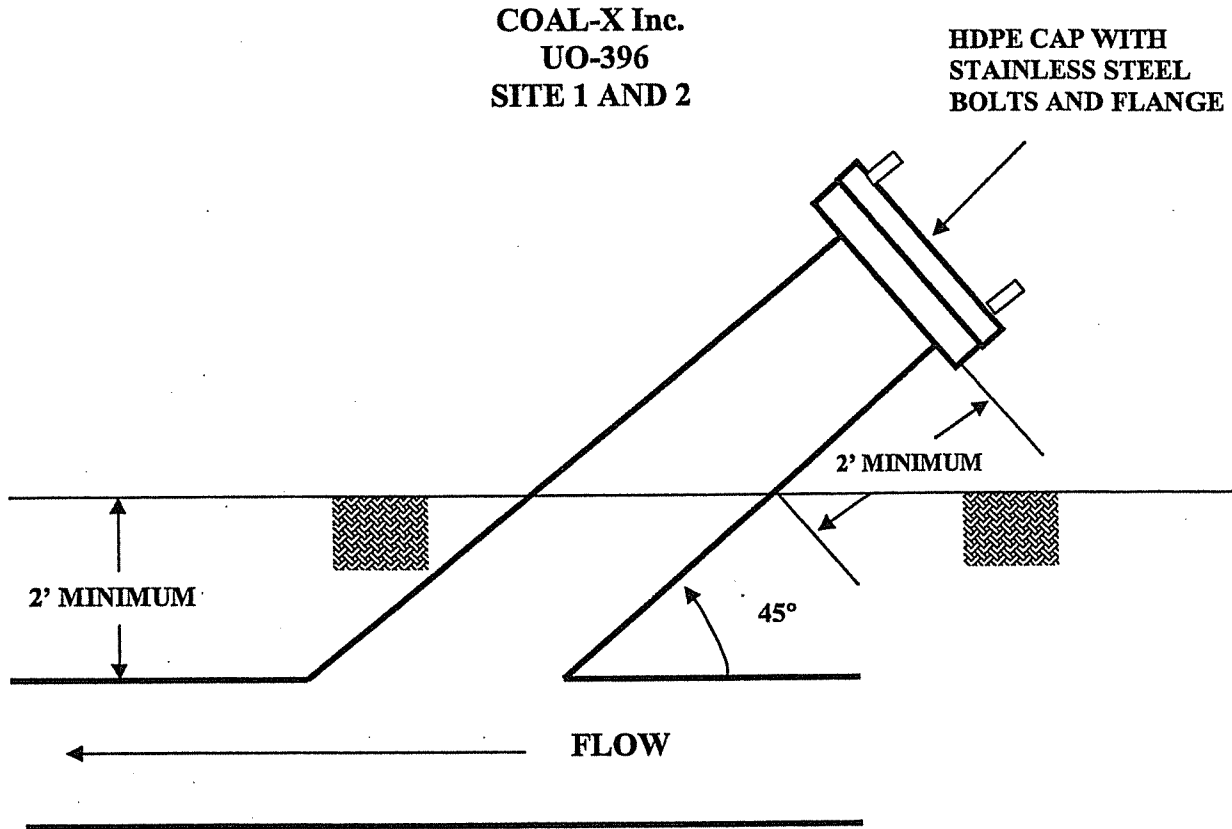
**NOTE:**

1. All HDPE DR 17 Pipe shall be fused on site.
2. All HDPE DR 17 Pipe shall be buried at a minimum depth of twenty-four inches with four inches of bedding sand both above and below the pipe all under a minimum layer of six inches of soil (as per mine discharge conveyance line installation specifications on typical).
3. All HDPE DR 17 Pipe shall have cleanouts installed at a minimum of every 500 LF (as per cleanout specifications on typical and per WVDEP personnel
4. The mine discharge conveyance line shall have six (6) cleanouts spaced evenly approximately 500 LF apart as directed on site by WVDEP personnel considering site conditions.

<b>OFFICE OF SPECIAL RECLAMATION</b>	
<b>HDPE DR 17 PIPE</b>	
<b>TYPICAL ATTACHMENT</b>	
SCALE: NOT TO SCALE	DRAWN BY:
DATE:	PROJECT NO:

WV-36a STATE OF WEST VIRGINIA  
 REV. 1/29/02 PURCHASING CONTINUATION SHEET  
 VENDOR:

BUYER CB-23	PAGE 072	REQ. OR PO NO DEP. 13007
SPENDING UNIT WEST VIRGINIA DEPARTMENT OF ENVIRONMENTAL PROTECTION / OFFICE OF SPECIAL RECLAMATION		



**NOTE: A MINIMUM OF ONE CLEANOUT WILL BE  
 PLACED EVERY FIVE HUNDRED (500') FEET IN ALL  
 HDPE DR 17 PIPE AS PER DETAILS AND AS  
 DIRECTED BY WVDEP PERSONNEL**

<b>OFFICE OF SPECIAL RECLAMATION SITE 1 &amp; 2 PIPELINE CLEANOUT DETAILS ATTACHMENT</b>	
SCALE: NOT TO SCALE	DRAWN BY:
DATE:	PROJECT NO:

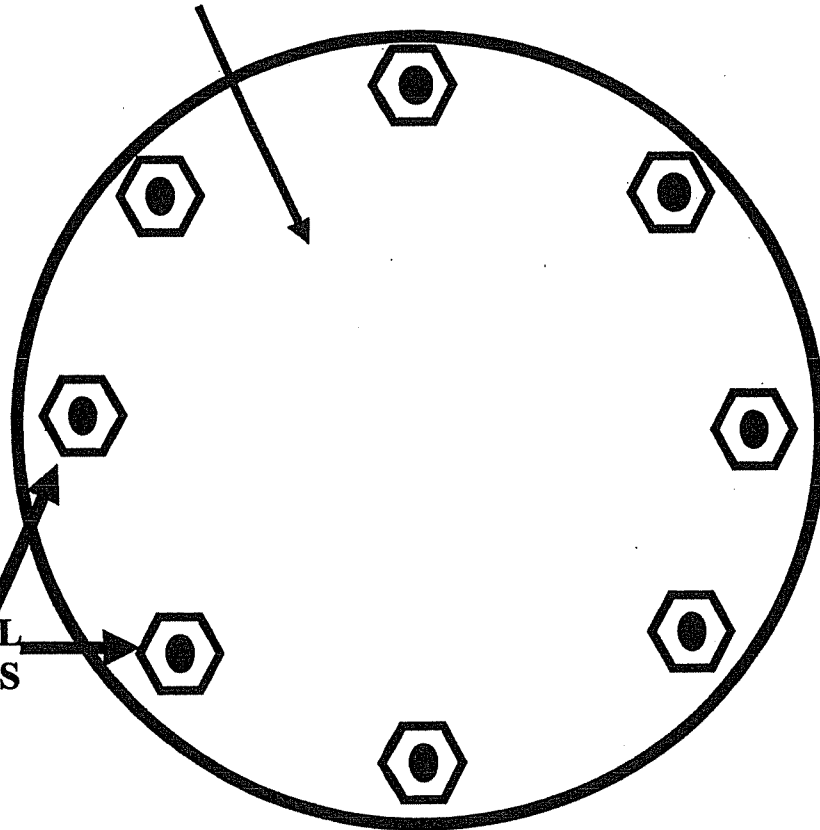
WV-36a STATE OF WEST VIRGINIA  
 REV. 1/29/02 PURCHASING CONTINUATION SHEET  
 VENDOR:

BUYER CB-23	PAGE 073	REQ. OR PO NO DEP. 13007
SPENDING UNIT WEST VIRGINIA DEPARTMENT OF ENVIRONMENTAL PROTECTION / OFFICE OF SPECIAL RECLAMATION		

COAL-X INC.  
 UO-396  
 SITES 1 and 2

6" OR 12" HDPE DR17 CAP

STAINLESS STEEL  
 NUTS AND BOLTS

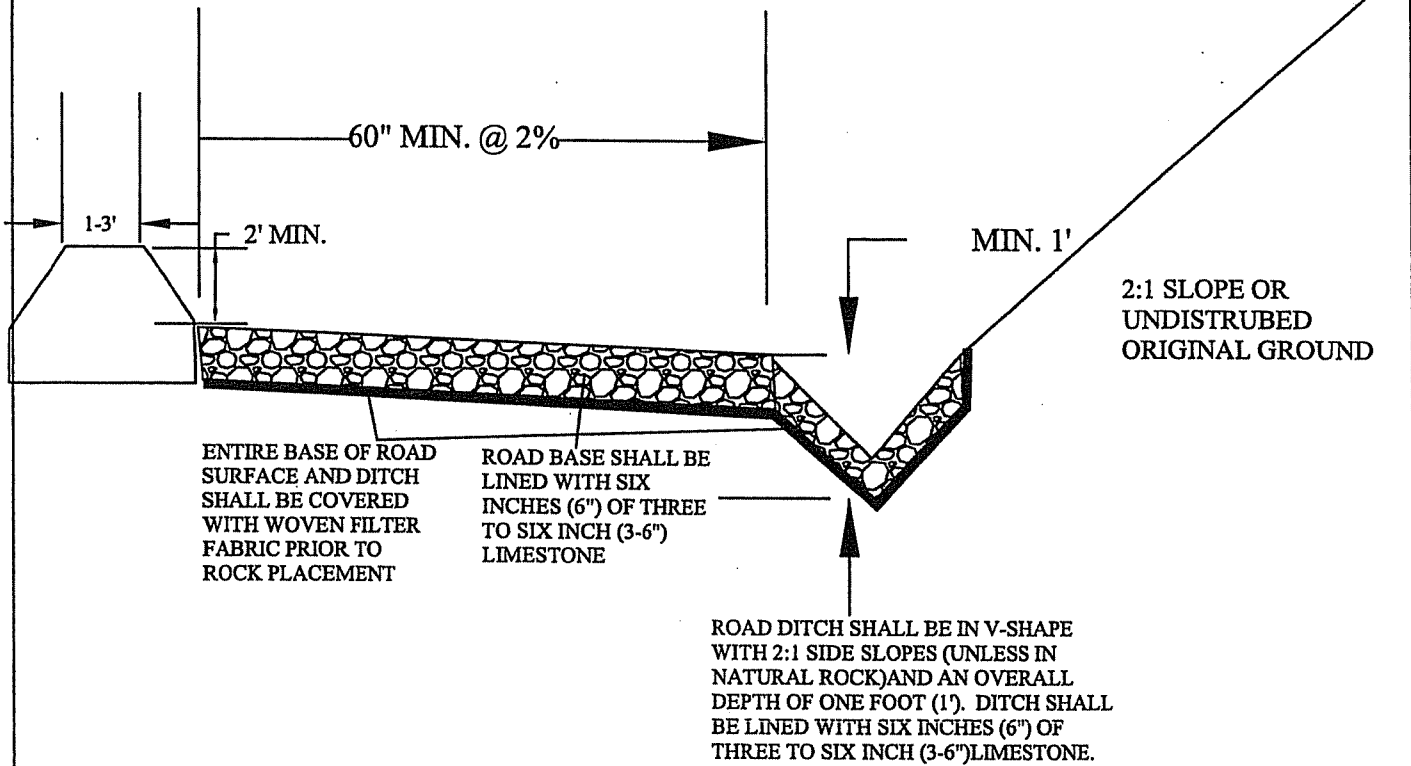


**NOTE: DETAILS ARE FOR STAINLESS STEEL BOLT ARRANGEMENT AND HDPE DR17 CAP FOR 6" AND 12" HDPE DR17 PIPES FOUND ON SLUDGE PUMP LINE ATTACHING POINTS AND ON CLEANOUTS AS WELL AS CLEANOUTS AS DIRECTED ON ALL INSTALLED HDPE DR 17 PIPE. ALL STAINLESS BOLTS SHALL BE COVERED WITH NON-WATER SOLUABLE ANTI-SIEZE PRODUCT**

OFFICE OF SPECIAL RECLAMATION	
SITES 1 and 2 HDPE CAP AND STAINLESS STEEL BOLT DETAILS ATTACHMENT	
SCALE: NOT TO SCALE	DRAWN BY:
DATE:	PROJECT NO:

BUYER CB-23	PAGE 074	REQ. OR PO NO DEP 13007
SPENDING UNIT WEST VIRGINIA DEPARTMENT OF ENVIRONMENTAL PROTECTION/OFFICE OF SPECIAL RECLAMATION		

COAL-X, INC  
 UO-396  
 SITE 1

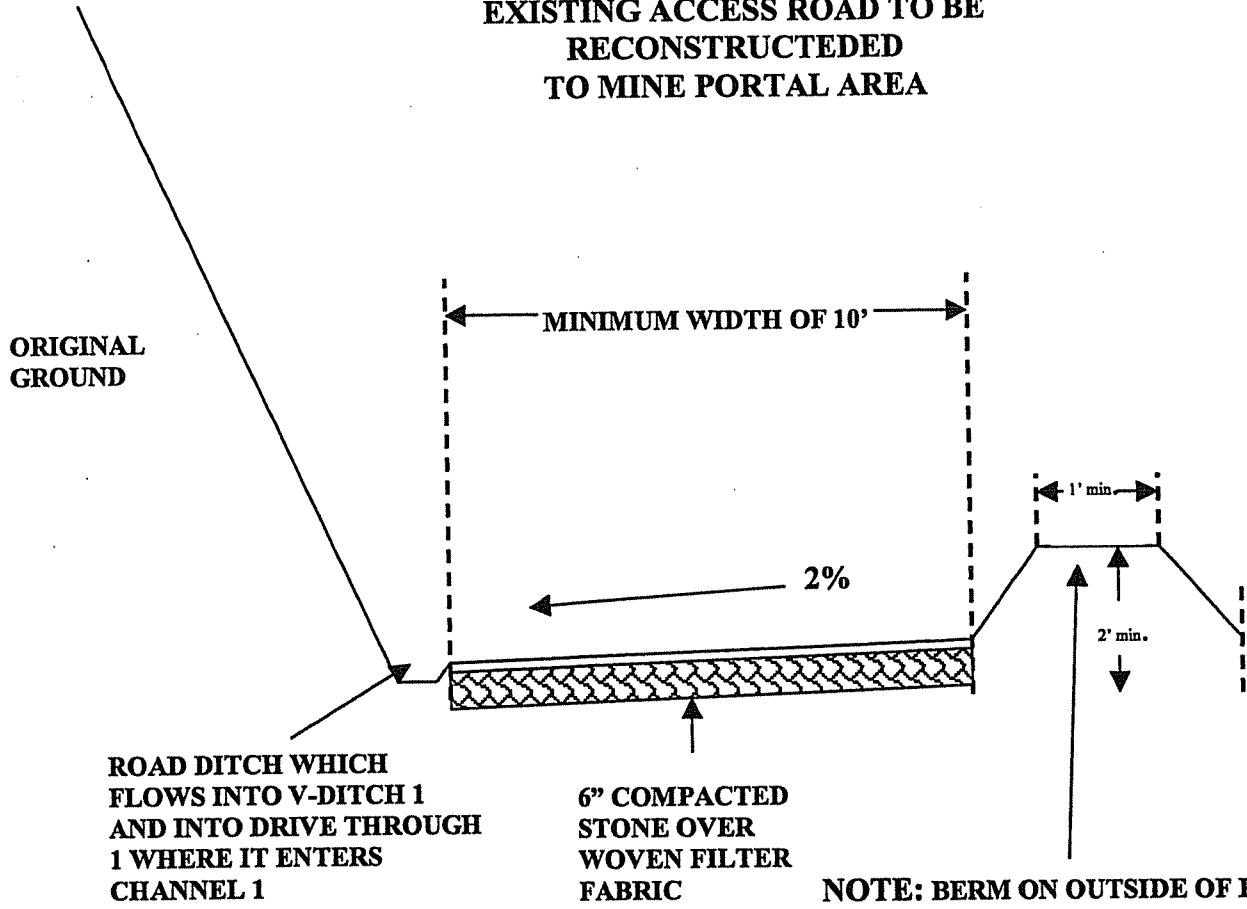


OFFICE OF SPECIAL RECLAMATION	
SITE 1 RECONSTRUCTED HATFIELD AND MCCOY TRAIL TYPICAL ATTACHMENT	
SCALE: NOT TO SCALE	DRAWN BY: MSM
DATE: 9/11/06	PROJECT NO: UO-396

BUYER CB-23	PAGE 075	REQ. OR PO NO DEP. 13007
SPENDING UNIT WEST VIRGINIA DEPARTMENT OF ENVIRONMENTAL PROTECTION / OFFICE OF SPECIAL RECLAMATION		

**COAL-X Inc. UO-396  
 SITE 1**

**EXISTING ACCESS ROAD TO BE  
 RECONSTRUCTED  
 TO MINE PORTAL AREA**



**NOTE: BERM ON OUTSIDE OF ROAD IS TO BE REPAIRED WITH INNER AND OUTER SLOPES AT 2:1. MINIMUM TOP WIDTH SHALL BE 1' AND MINIMUM HEIGHT SHALL BE 2'.**

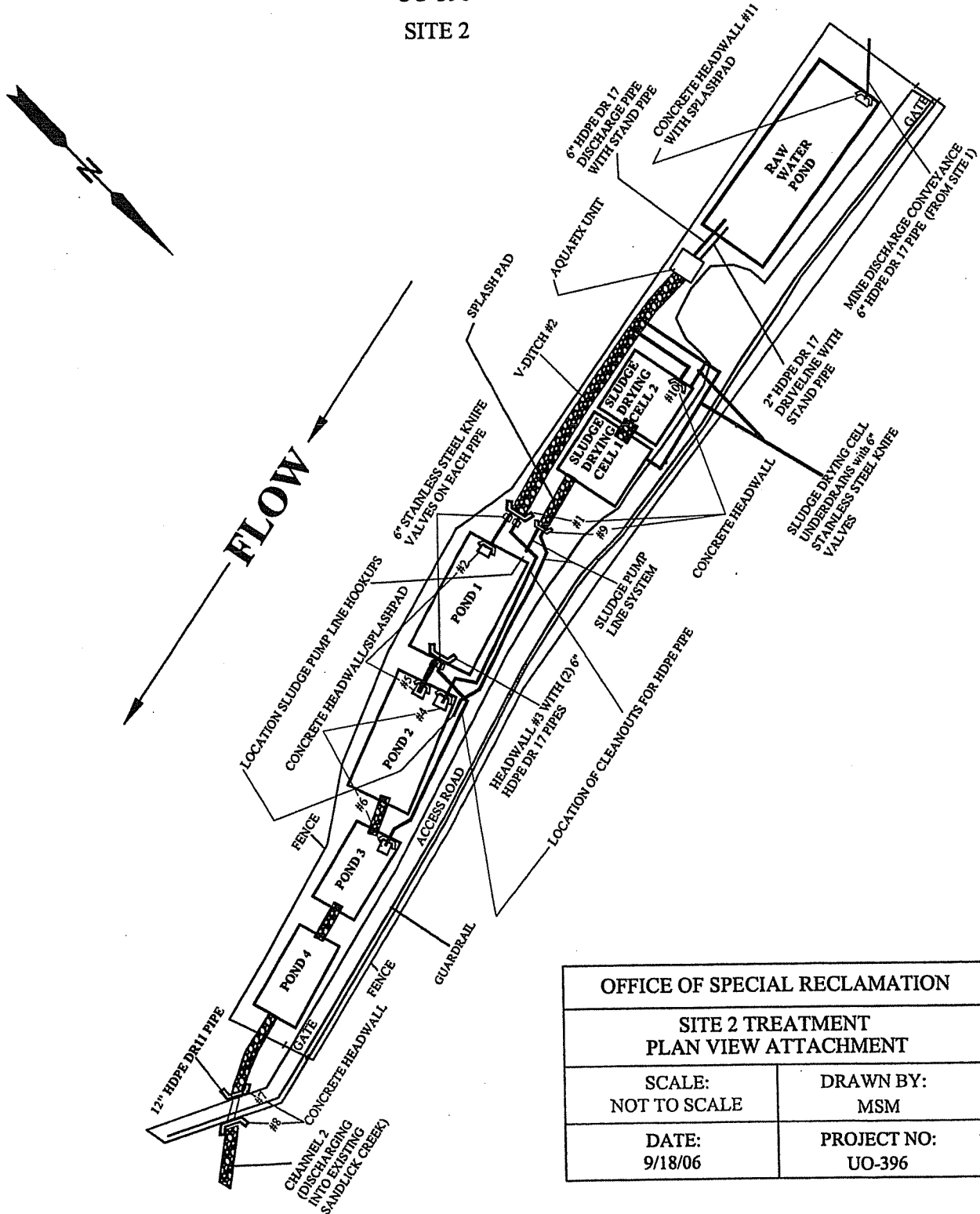
**NOTE:** Road shall be constructed of crushed Limestone meeting size specification. Ten Percent (10%) 3.5" to 3", Twenty Five Percent (25%) 3" to 2" and the remaining Sixty Five Percent (65%) well graded at 2" to .75" to a compacted depth of Six Inches (6"). (As Per DOH Size Number One #1 Stone Specifications, Compaction will be achieved by making 3 passes over stone with D-6 Dozer)

<b>OFFICE OF SPECIAL RECLAMATION</b>	
<b>SITE 1 RECONSTRUCTED MINE ACCESS ROAD TYPICAL ATTACHMENT</b>	
SCALE: NOT TO SCALE	DRAWN BY:
DATE:	PROJECT NO:



BUYER CB-23	PAGE 076	REQ. OR PO NO DEP 13007
SPENDING UNIT WEST VIRGINIA DEPARTMENT OF ENVIRONMENTAL PROTECTION/OFFICE OF SPECIAL RECLAMATION		

COAL-X, INC.  
 UO-396  
 SITE 2

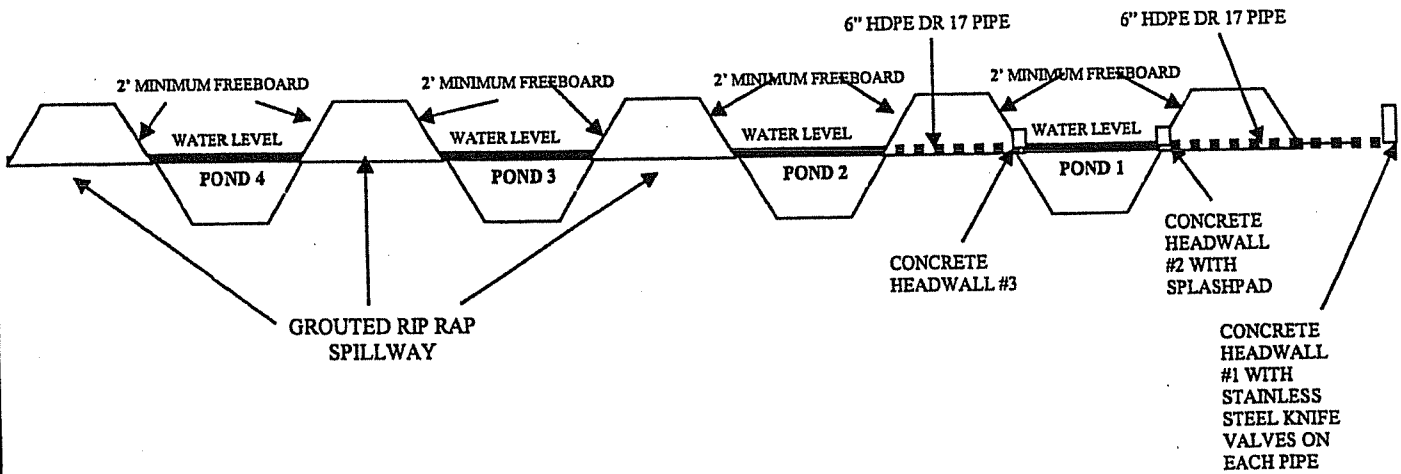


OFFICE OF SPECIAL RECLAMATION	
SITE 2 TREATMENT PLAN VIEW ATTACHMENT	
SCALE: NOT TO SCALE	DRAWN BY: MSM
DATE: 9/18/06	PROJECT NO: UO-396

WV-36a STATE OF WEST VIRGINIA  
 REV. 1/29/02 PURCHASING CONTINUATION SHEET  
 VENDOR:

BUYER CB-23	PAGE 1177	REQ. OR PO NO DEP. 13007
SPENDING UNIT WEST VIRGINIA DEPARTMENT OF ENVIRONMENTAL PROTECTION / OFFICE OF SPECIAL RECLAMATION		

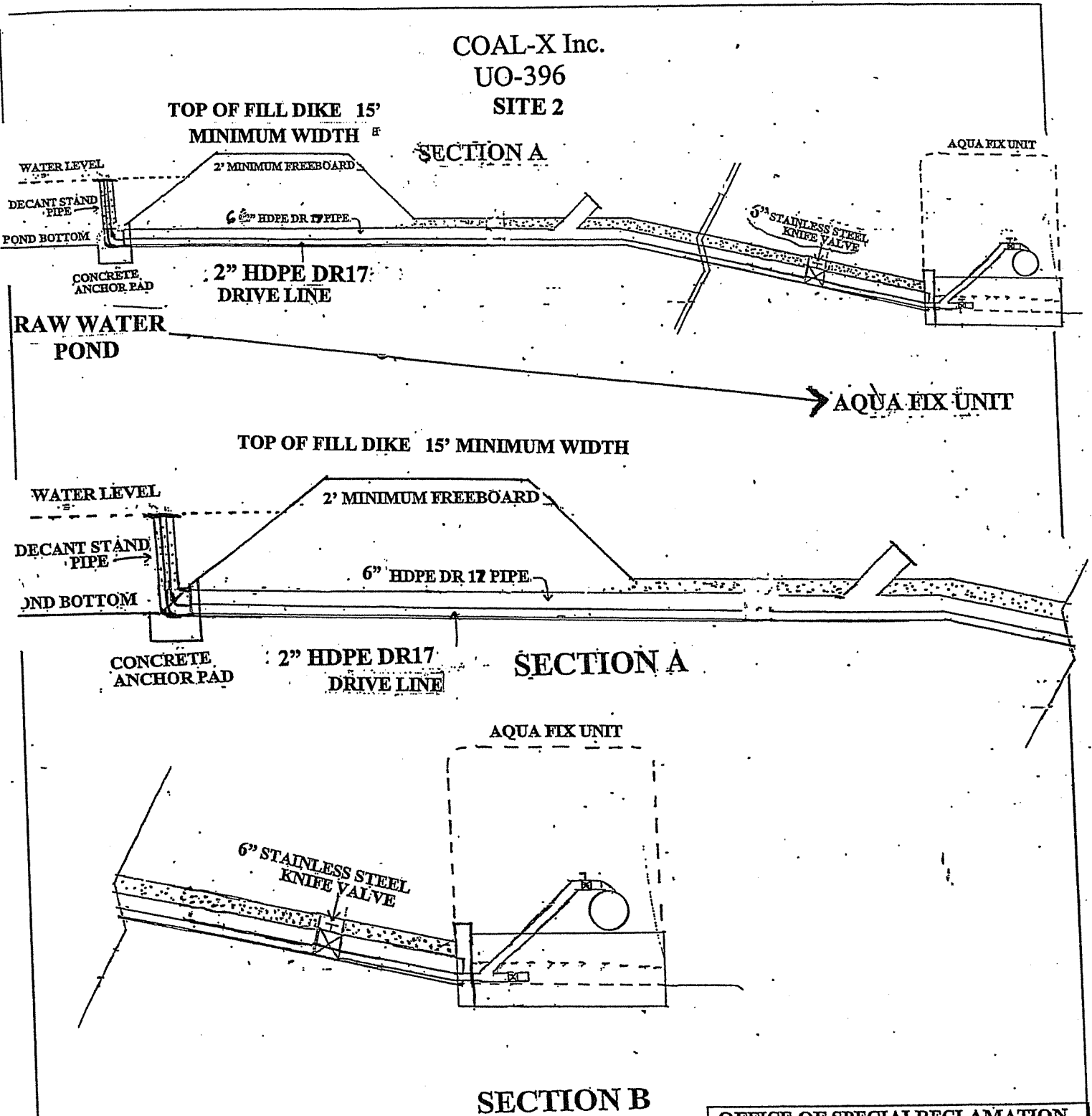
COAL-X Inc. UO-396  
 SITE 2



<b>OFFICE OF SPECIAL RECLAMATION</b>	
<b>SITE 2 PROFILE PONDS 1,2,3, and 4</b>	
<b>ATTACHMENT</b>	
SCALE: NOT TO SCALE	DRAWN BY:
DATE:	PROJECT NO:

WV-36a STATE OF WEST VIRGINIA  
 REV. 1/29/02 PURCHASING CONTINUATION SHEET  
 VENDOR:

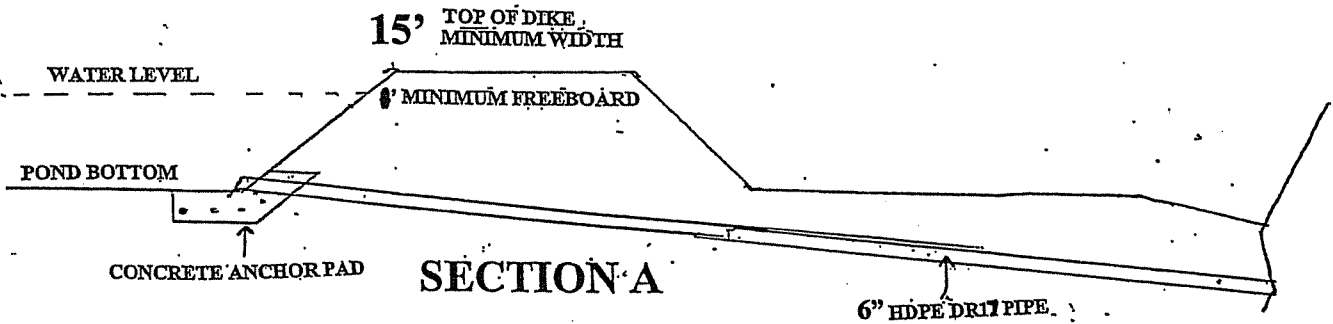
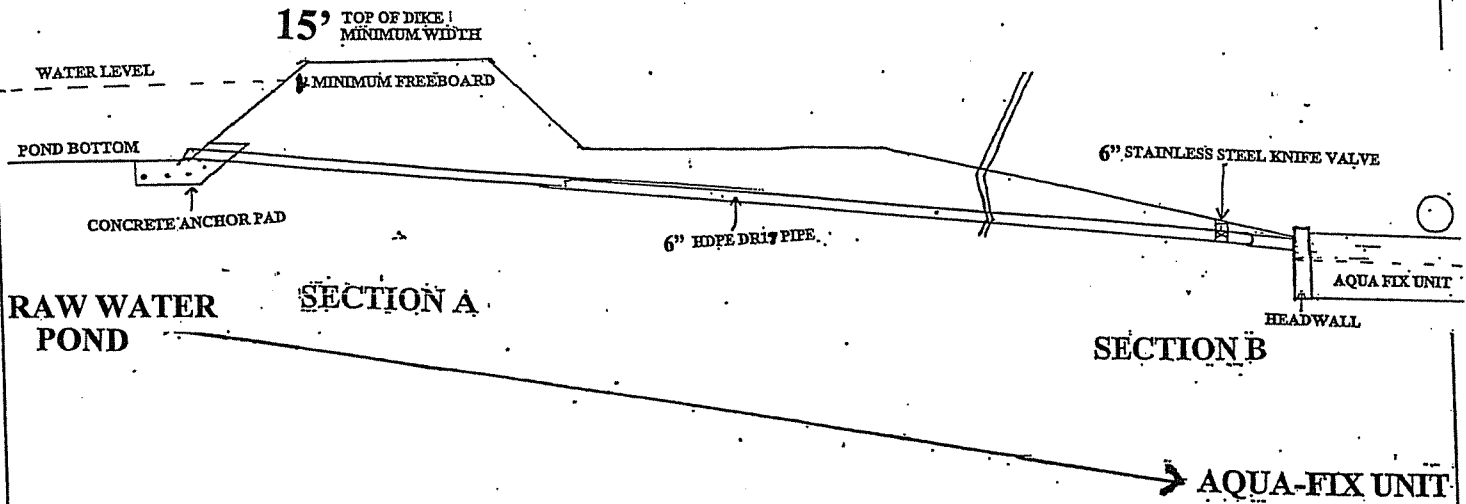
BUYER CB-23	PAGE 178	REQ. OR PO NO DEP. 13007
SPENDING UNIT WEST VIRGINIA DEPARTMENT OF ENVIRONMENTAL PROTECTION / OFFICE OF SPECIAL RECLAMATION		



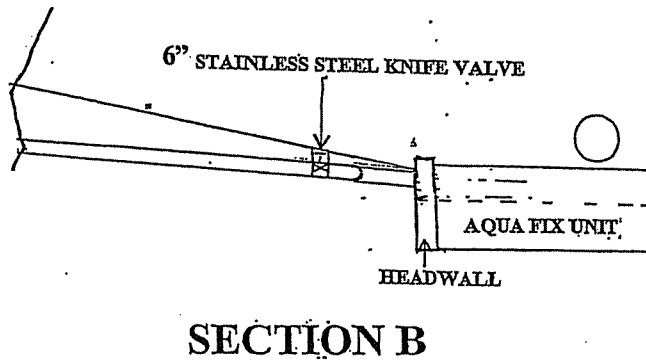
<b>OFFICE OF SPECIAL RECLAMATION SITE 2 RAW WATER POND AQUA-FIX DRIVE LINE/DISCHARGE LINE TYPICAL ATTACHMENT</b>	
SCALE: NOT TO SCALE	DRAWN BY:
DATE:	PROJECT NO:

BUYER CB-23	PAGE 079	REQ. OR PO NO DEP. 13007
SPENDING UNIT WEST VIRGINIA DEPARTMENT OF ENVIRONMENTAL PROTECTION / OFFICE OF SPECIAL RECLAMATION		

COAL-X Inc.  
 UO-396  
 SITE 2



NOTE: 6" HDPE DR 17 SLUDGE CLEANOUT LINE RUNS PARALELL and "Y's" INTO TO 6" HDPE DR17 WATER LINE ON POND SIDE OF HEADWALL.

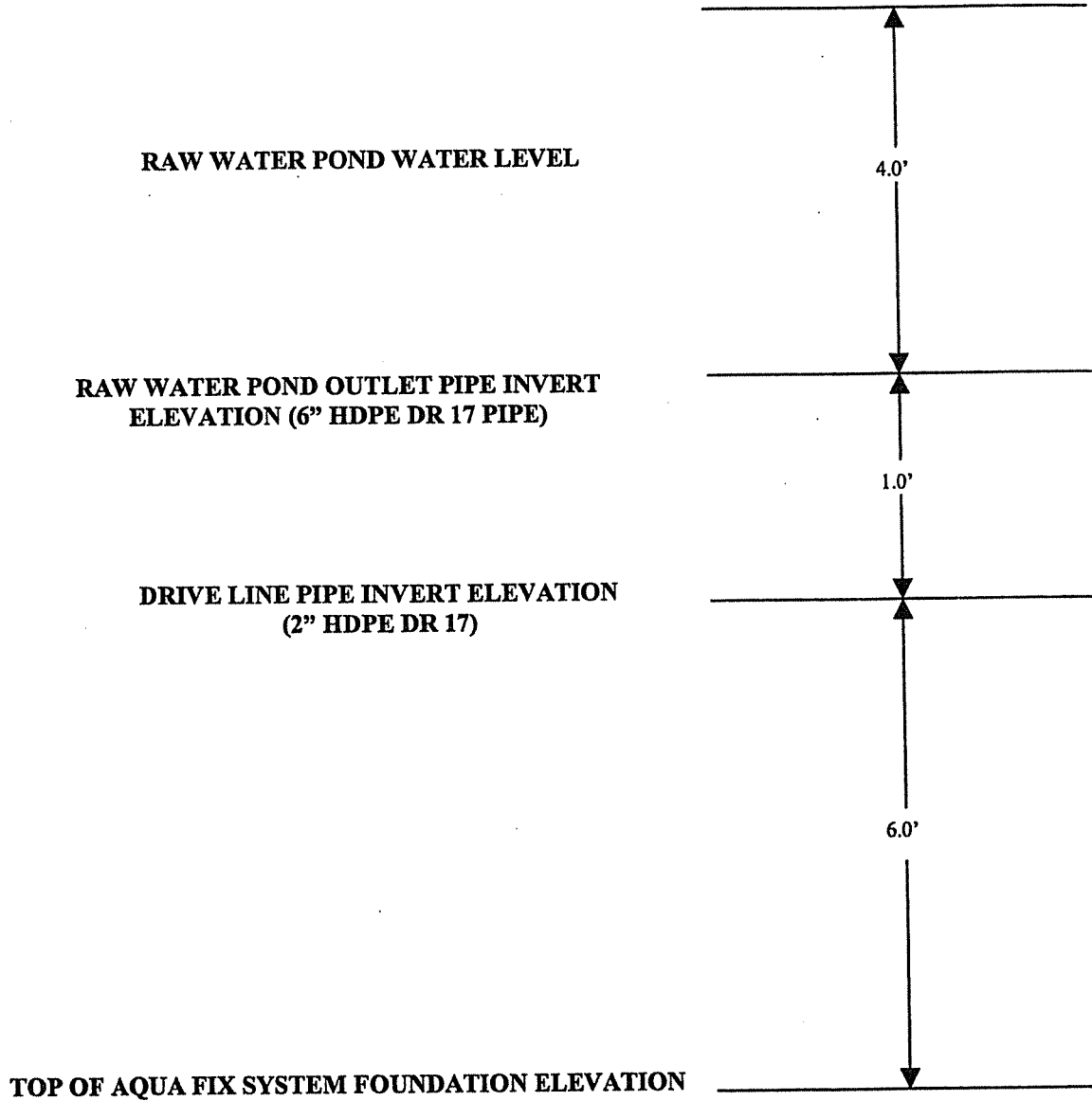


OFFICE OF SPECIAL RECLAMATION SITE 2 RAW WATER POND SLUDGE REMOVAL LINE TYPICAL ATTACHMENT	
SCALE: NOT TO SCALE	DRAWN BY:
DATE:	PROJECT NO:

WV-36a STATE OF WEST VIRGINIA  
 REV. 1/29/02 PURCHASING CONTINUATION SHEET  
 VENDOR:

BUYER CB-23	PAGE 080	REQ. OR PO NO DEP. 13007
SPENDING UNIT WEST VIRGINIA DEPARTMENT OF ENVIRONMENTAL PROTECTION / OFFICE OF SPECIAL RECLAMATION		

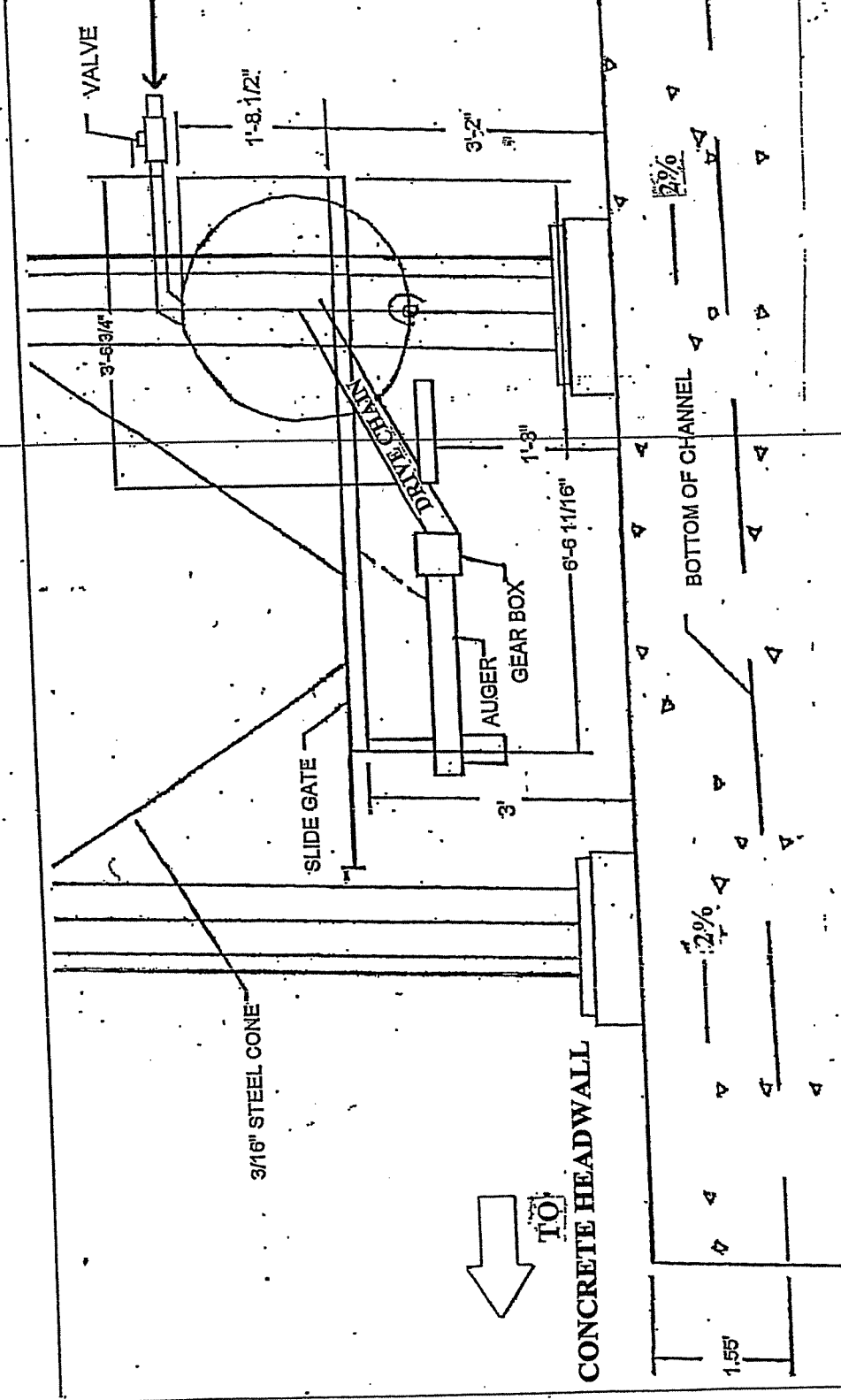
**COAL-X Inc. UO-396  
 SITE 2**



<b>OFFICE OF SPECIAL RECLAMATION</b>	
<b>SITE 2 AQUA-FIX UNIT ELEVATIONS</b>	
SCALE: NOT TO SCALE	DRAWN BY:
DATE:	PROJECT NO:

COAL-X Inc.  
 UO-396  
 SITE 2.

2" SCHEDULE 40 PVC DRIVELINE

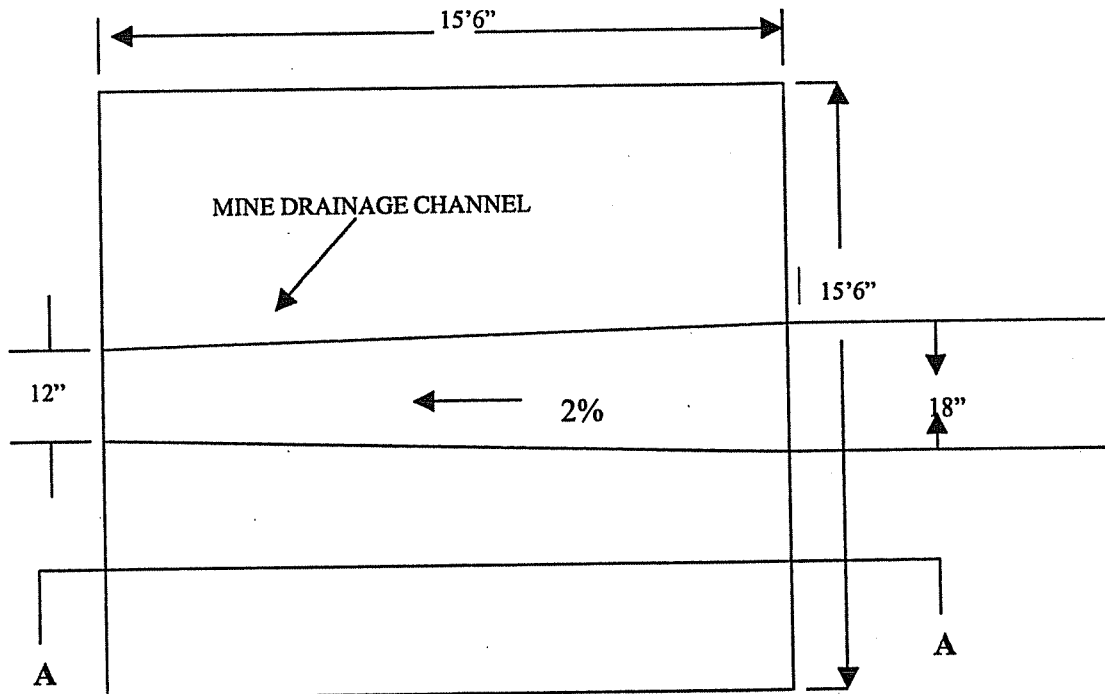


OFFICE OF SPECIAL RECLAMATION	
SITE 2: SIDE VIEW OF AQUA-FIX UNIT ATTACHMENT	
SCALE: NOT TO SCALE	DRAWN BY:
DATE:	PROJECT NO:

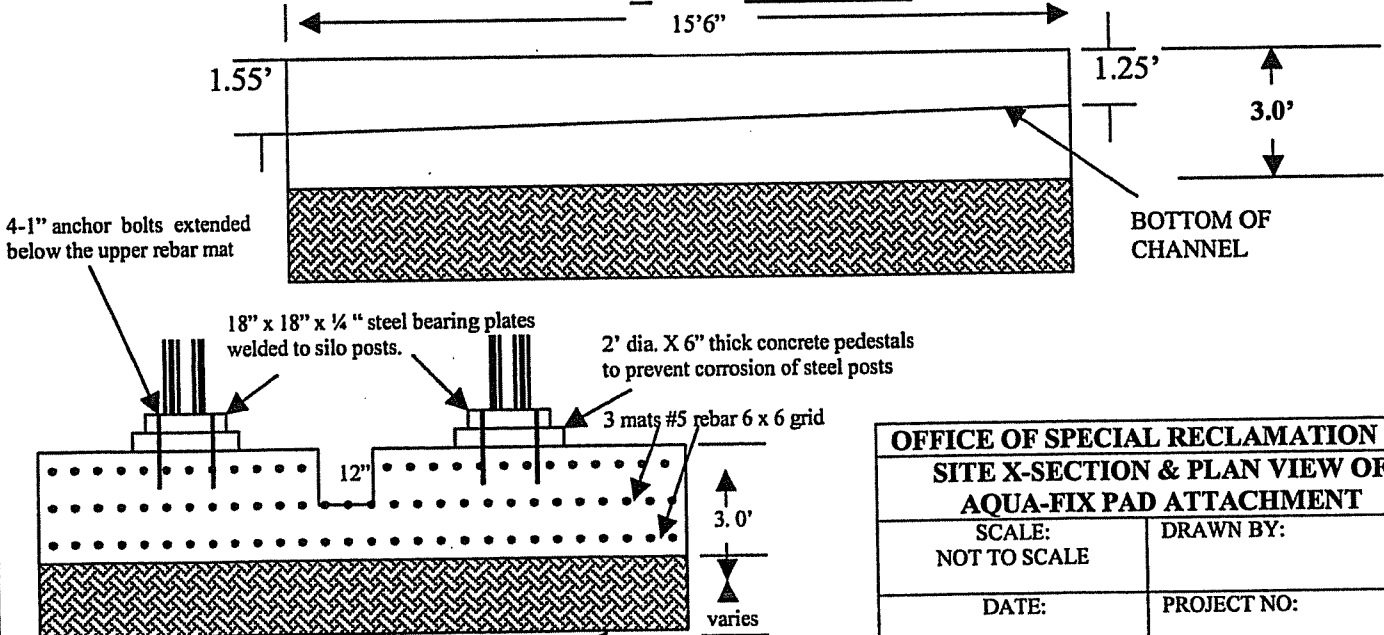
BUYER CB-23	PAGE 082	REQ. OR PO NO DEP. 13007
SPENDING UNIT WEST VIRGINIA DEPARTMENT OF ENVIRONMENTAL PROTECTION / OFFICE OF SPECIAL RECLAMATION		

**COAL-X INC.  
 UO-396**

PLAN VIEW



CROSS-SECTION A-A'

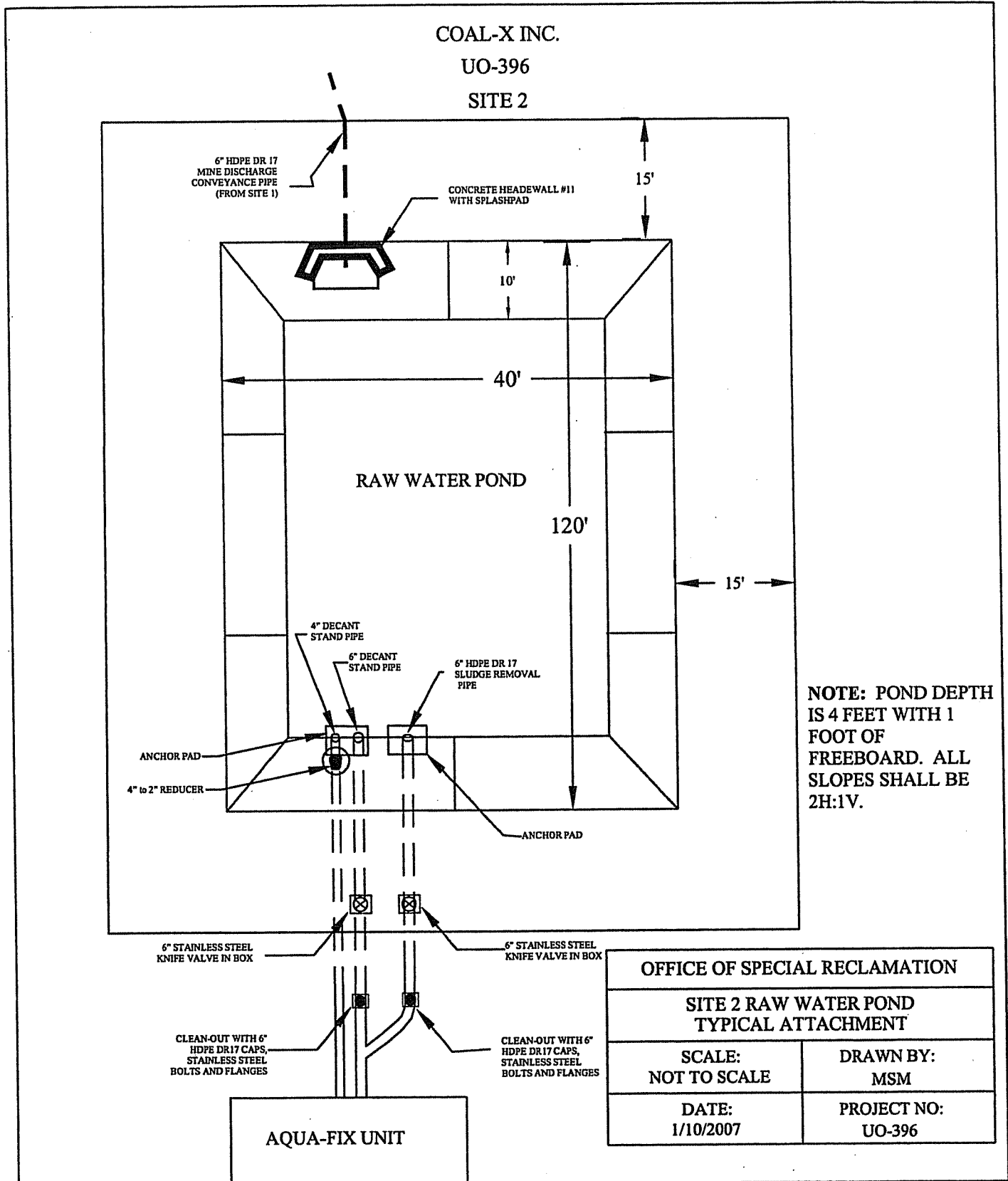


Excavate to consolidated material and compact CRD in 6" lifts using a hand directed tamper until the design elevation is achieved.

**OFFICE OF SPECIAL RECLAMATION  
 SITE X-SECTION & PLAN VIEW OF  
 AQUA-FIX PAD ATTACHMENT**

SCALE: NOT TO SCALE	DRAWN BY:
DATE:	PROJECT NO:

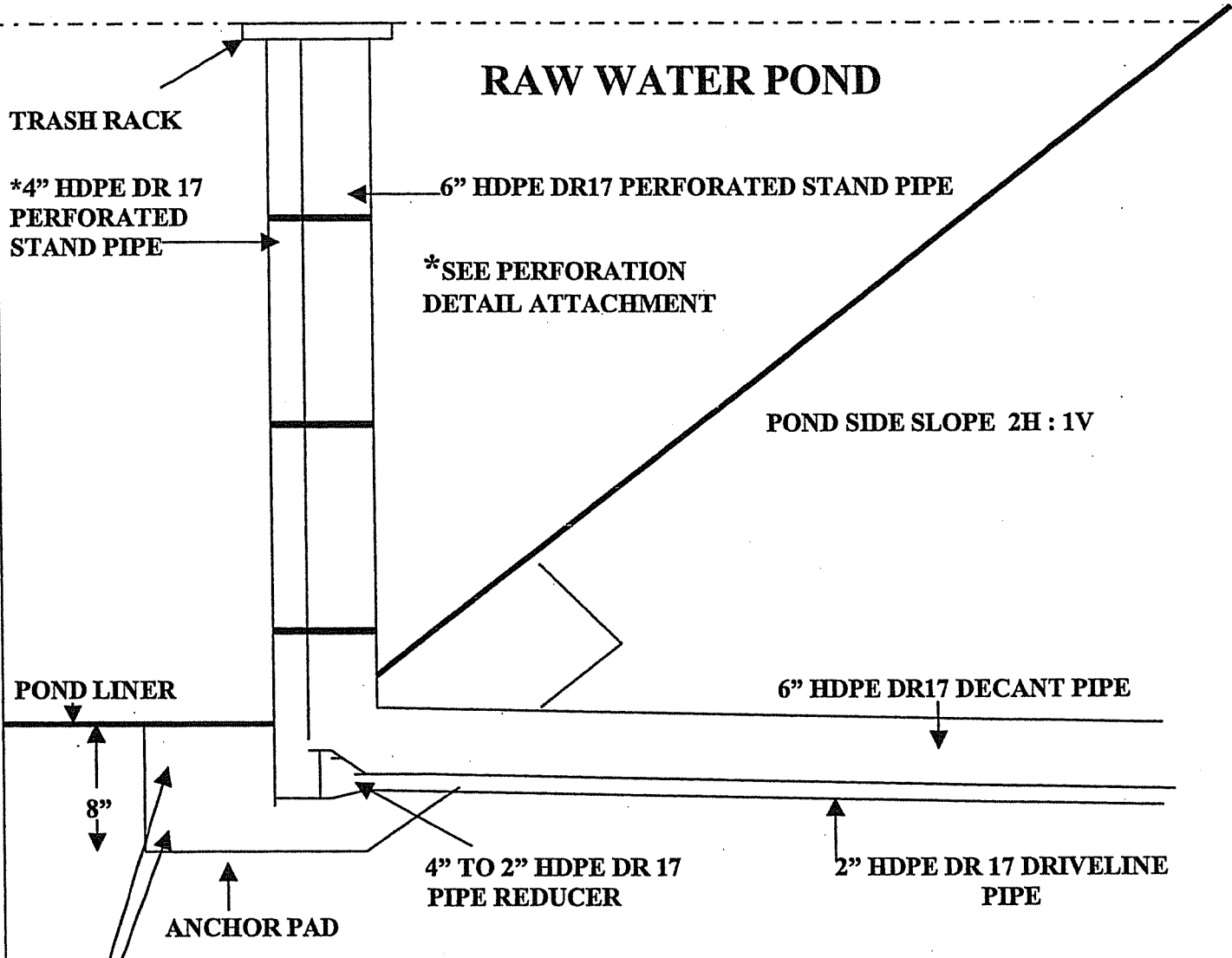
BUYER CB-23	PAGE 083	REQ. OR PO NO DEP 13007
SPENDING UNIT WEST VIRGINIA DEPARTMENT OF ENVIRONMENTAL PROTECTION/OFFICE OF SPECIAL RECLAMATION		





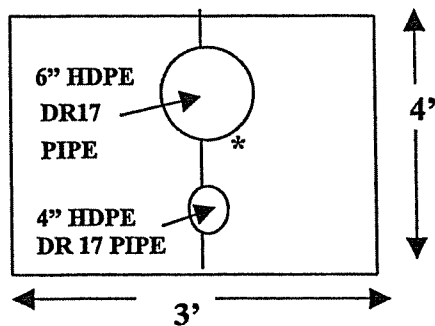
BUYER CB-23	PAGE 084	REQ. OR PO NO DEP. 13007
SPENDING UNIT WEST VIRGINIA DEPARTMENT OF ENVIRONMENTAL PROTECTION / OFFICE OF SPECIAL RECLAMATION		

COAL-X INC. UO-396  
 SITE 2



POND SIDE SLOPE 2H : 1V

TWO LAYERS of #5 REBAR ON 8" CENTERS in BOTH DIRECTIONS  
 Concrete Thickness is Minimum 8", See CONCRETE DETAILS PAGE

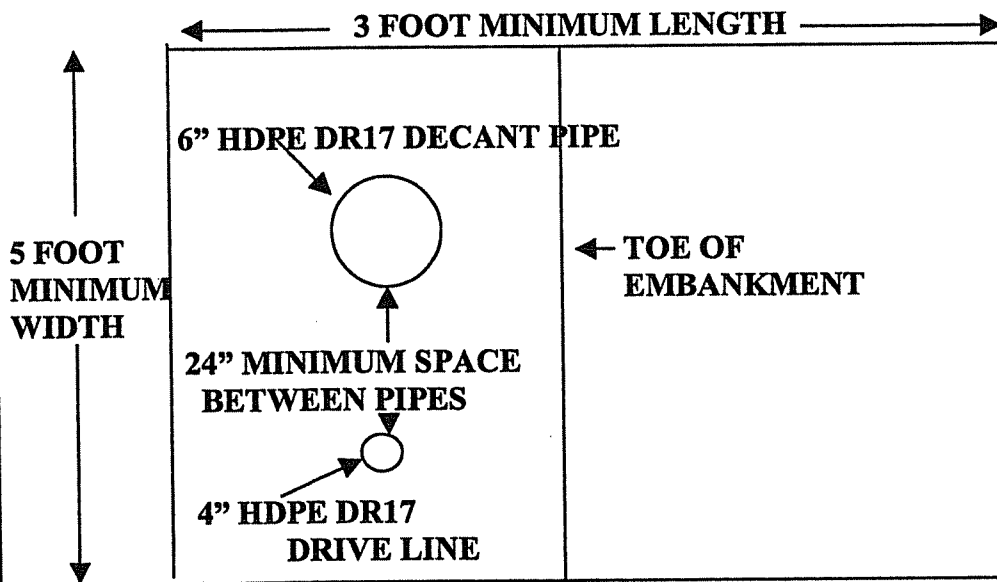
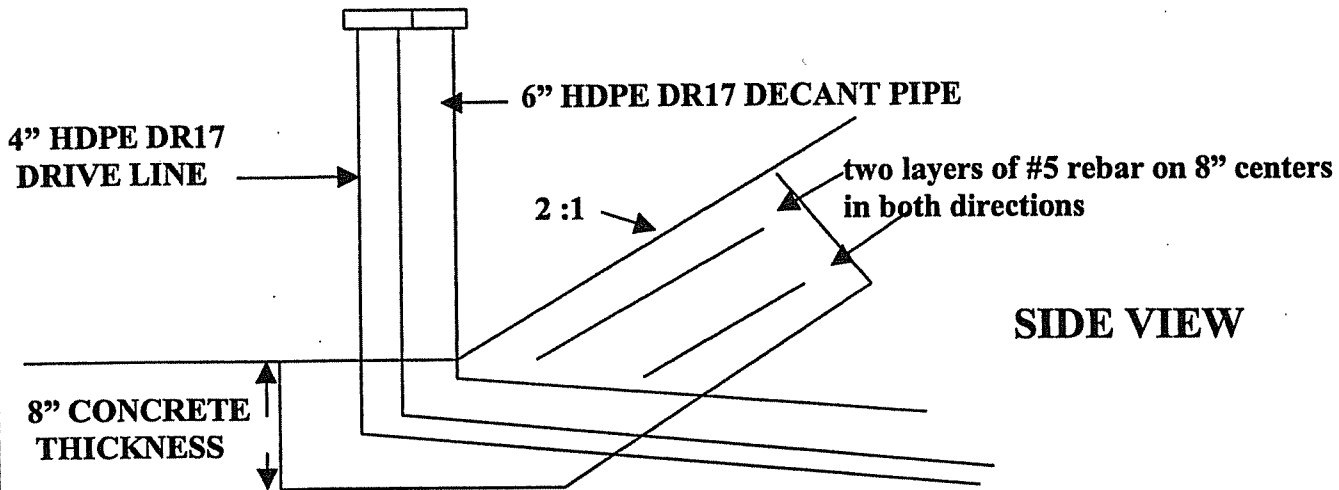


\* NOTE: There is a minimum of 2 feet between pipes

OFFICE OF SPECIAL RECLAMATION	
SITE 2 STAND PIPE TYPICAL ATTACHMENT	
SCALE: NOT TO SCALE	DRAWN BY:
DATE:	PROJECT NO:

BUYER CB-23	PAGE 085	REQ. OR PO NO DEP. 13007
SPENDING UNIT WEST VIRGINIA DEPARTMENT OF ENVIRONMENTAL PROTECTION / OFFICE OF SPECIAL RECLAMATION		

COAL-X INC. UO-396  
 SITE 2



TOP VIEW

NOTE: CONCRETE USED IN THE ANCHOR PAD SHALL BE CLASS B CONCRETE TO MEET APPLICABLE PROVISIONS of SECTION 601 of the WVDOH STANDARD SPECIFICATIONS

OFFICE OF SPECIAL RECLAMATION SITE 2 RAW WATER POND STAND PIPE ANCHOR PAD TYPICAL ATTACHMENT	
SCALE: NOT TO SCALE	DRAWN BY:
DATE:	PROJECT NO:

WV-36a STATE OF WEST VIRGINIA  
 REV. 1/29/02 PURCHASING CONTINUATION SHEET  
 VENDOR:

BUYER CB-23	PAGE 086	REQ. OR PO NO DEP. 13007
SPENDING UNIT WEST VIRGINIA DEPARTMENT OF ENVIRONMENTAL PROTECTION / OFFICE OF SPECIAL RECLAMATION		

COAL-X INC. UO-396  
 SITE 2

RAW WATER POND

POND SIDE SLOPE 2H : 1V

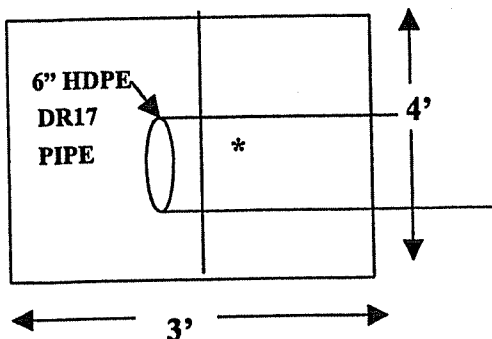
POND LINER

6" HDPE DR17 SLUDGE REMOVAL PIPE

8"

ANCHOR PAD

TWO LAYERS of #4 REBAR ON 8" CENTERS in BOTH DIRECTIONS  
 Concrete Thickness is Minimum 8", See CONCRETE DETAILS PAGE



OFFICE OF SPECIAL RECLAMATION

SITE 2 RAW WATER POND SLUDGE  
 REMOVAL LINE ATTACHMENT

SCALE:  
 NOT TO SCALE

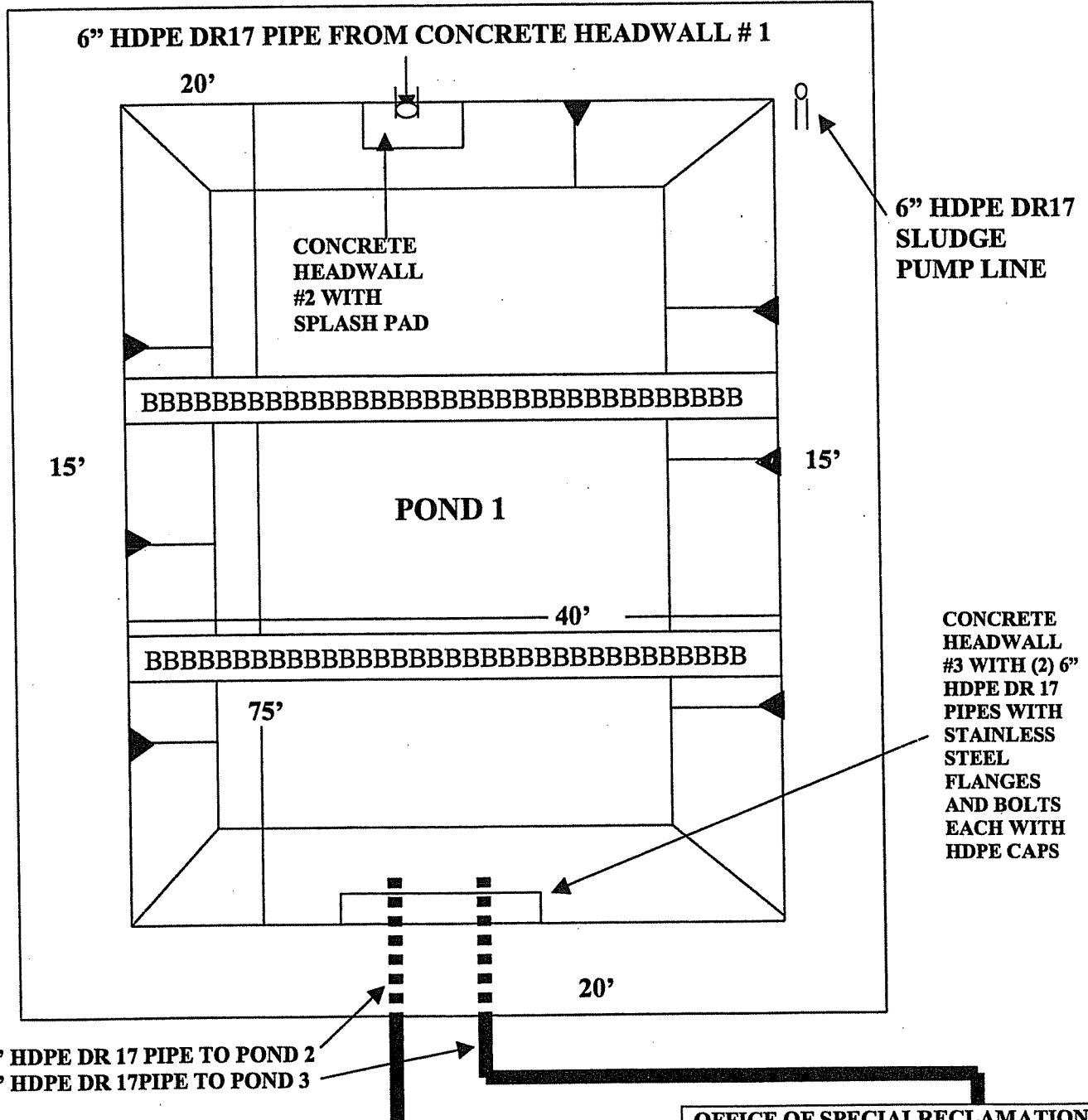
DRAWN BY:

DATE:

PROJECT NO:

BUYER CB-23	PAGE 087	REQ. OR PO NO DEP. 13007
SPENDING UNIT WEST VIRGINIA DEPARTMENT OF ENVIRONMENTAL PROTECTION / OFFICE OF SPECIAL RECLAMATION		

**COAL-X Inc.  
 UO-396**



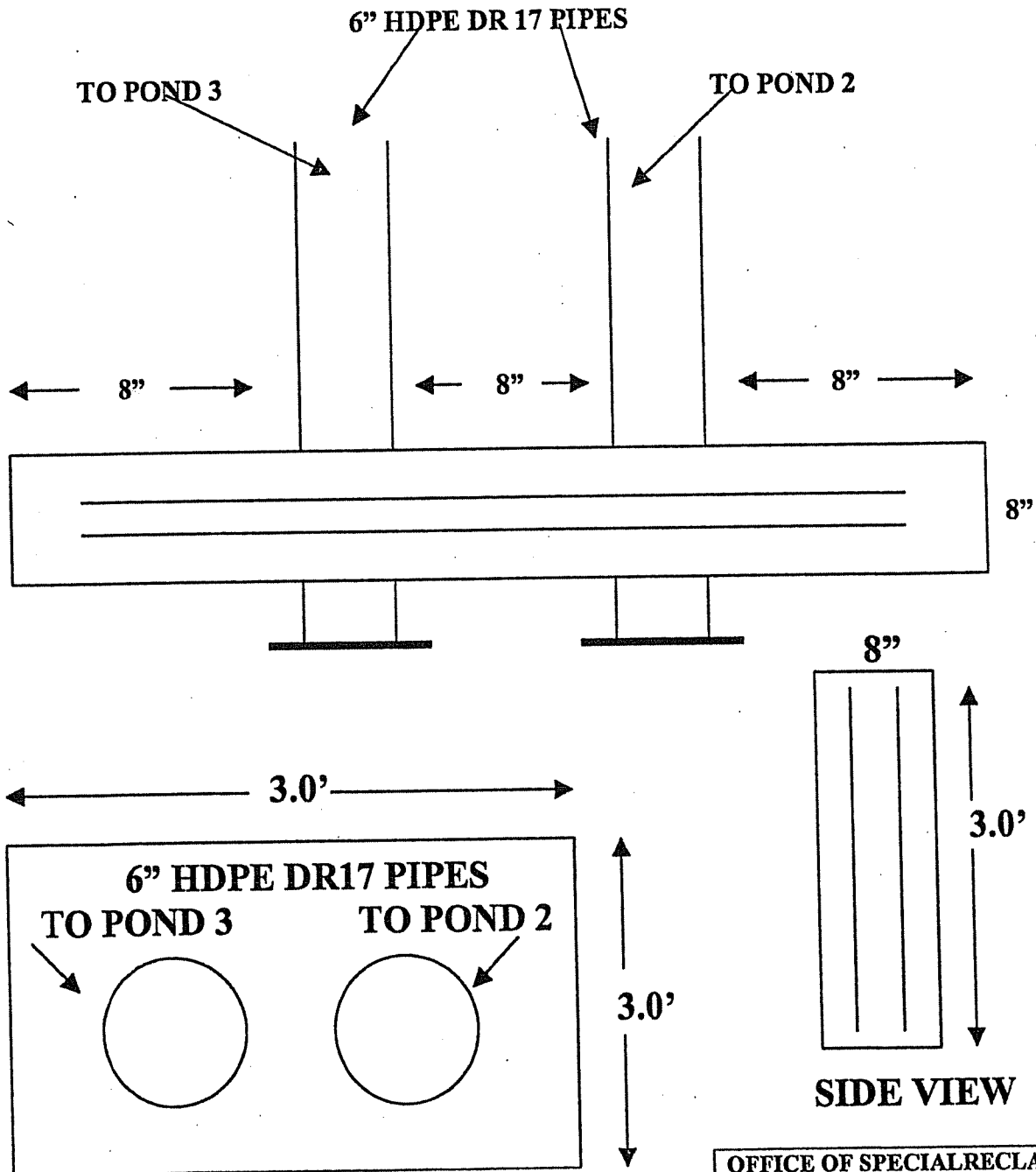
**NOTE: POND DEPTH IS 4 FEET  
 WITH 1 FOOT OF FREEBOARD.  
 ALL SLOPES SHALL BE 2:1  
 "BBB"-DENOTES PLACEMENT OF  
 CURTAINS**

<b>OFFICE OF SPECIAL RECLAMATION</b>	
<b>POND 1 TYPICAL ATTACHMENT</b>	
SCALE: NOT TO SCALE	DRAWN BY:
DATE:	PROJECT NO:

WV-36a STATE OF WEST VIRGINIA  
 REV. 1/29/02 PURCHASING CONTINUATION SHEET  
 VENDOR:

BUYER CB-23	PAGE 088	REQ. OR PO NO DEP. 13007
SPENDING UNIT WEST VIRGINIA DEPARTMENT OF ENVIRONMENTAL PROTECTION / OFFICE OF SPECIAL RECLAMATION		

COAL-X Inc.  
 UO-396 SITE 2



**FRONT VIEW**

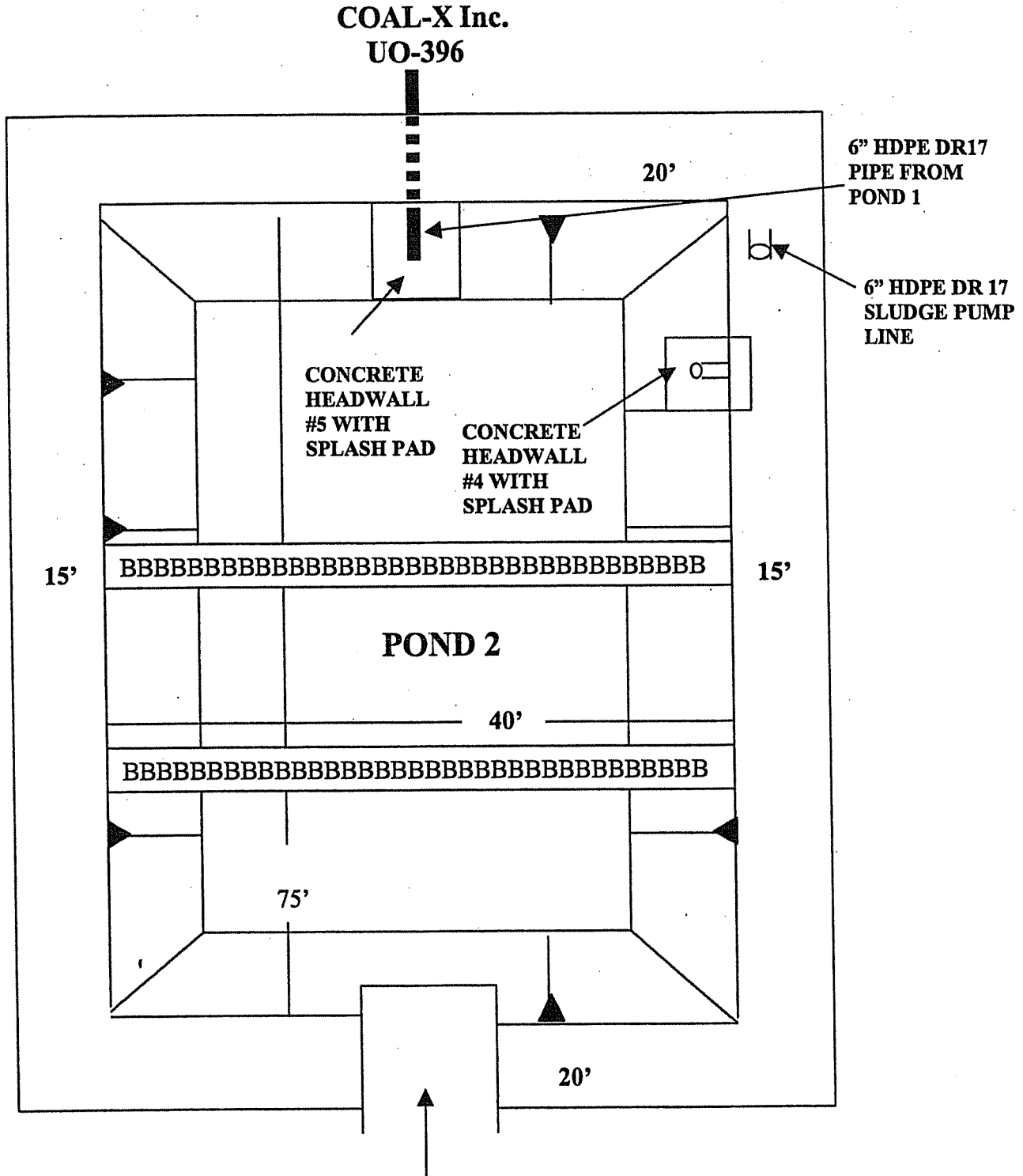
**SIDE VIEW**

NOTE: TWO (2) Layers of #5 REBAR on 8" centers will be used.  
 Concrete must meet WVDOH SPEC for Class B concrete  
 SECTION 601 of WVDOH STANDARD SPECS

OFFICE OF SPECIAL RECLAMATION	
SITE 2 CONCRETE HEADWALL #3 ATTACHMENT	
SCALE: NOT TO SCALE	DRAWN BY:
DATE:	PROJECT NO:

WV-36a STATE OF WEST VIRGINIA  
 REV. 1/29/02 PURCHASING CONTINUATION SHEET  
 VENDOR:

BUYER CB-23	PAGE 089	REQ. OR PO NO DEP. 13007
SPENDING UNIT WEST VIRGINIA DEPARTMENT OF ENVIRONMENTAL PROTECTION / OFFICE OF SPECIAL RECLAMATION		



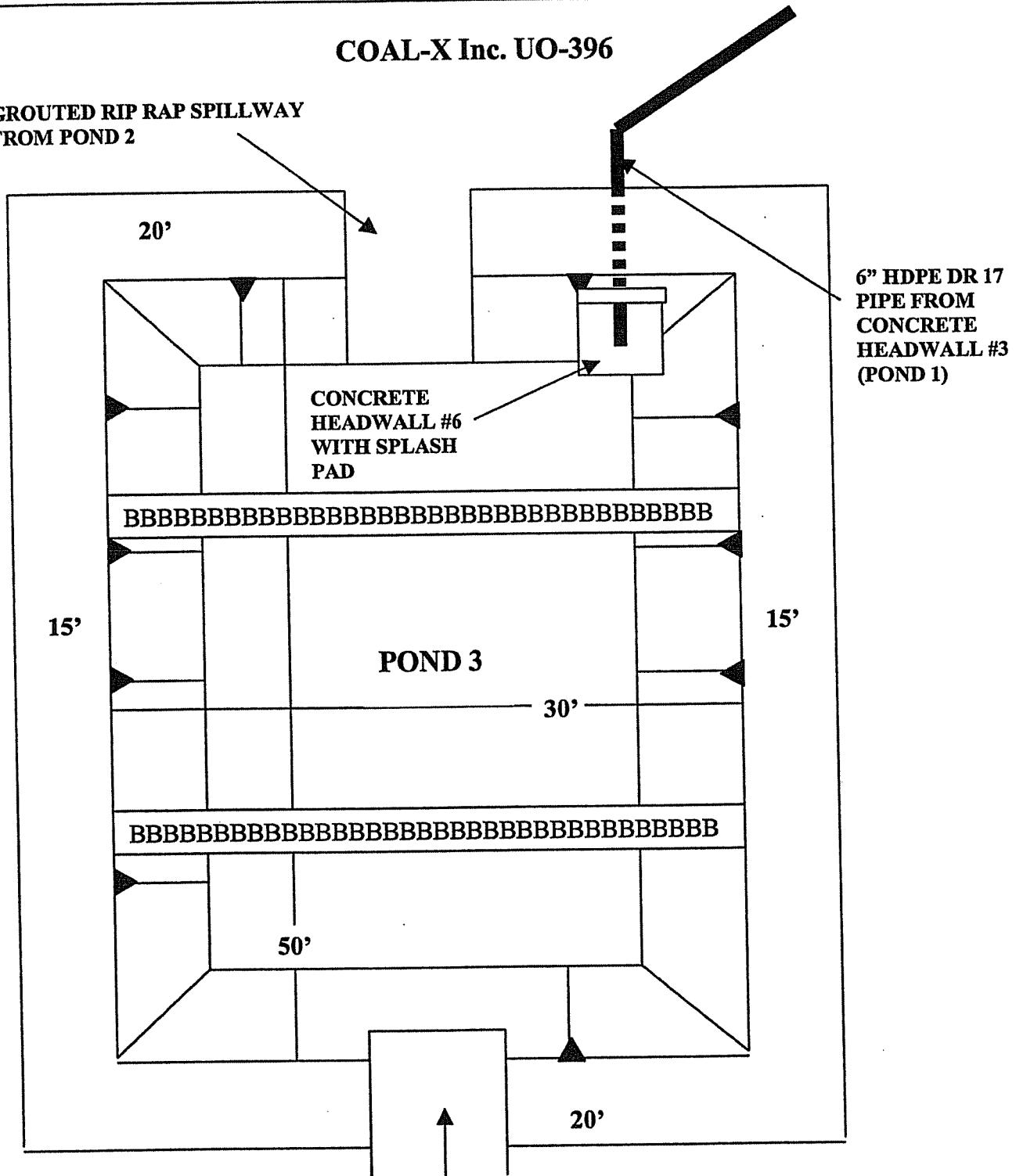
**GRouted RIP RAP SPILLWAY TO POND 3**

**NOTE: POND DEPTH IS 4' WITH 1' OF  
 FREEBOARD. ALL SLOPES SHALL BE 2:1  
 "BBB"-DENOTES PLACEMENT OF  
 CURTAINS**

<b>OFFICE OF SPECIAL RECLAMATION</b>	
<b>POND 2 TYPICAL ATTACHMENT</b>	
SCALE: NOT TO SCALE	DRAWN BY:
DATE:	PROJECT NO:

**COAL-X Inc. UO-396**

GRouted RIP RAP SPILLWAY  
FROM POND 2



6" HDPE DR 17  
PIPE FROM  
CONCRETE  
HEADWALL #3  
(POND 1)

CONCRETE  
HEADWALL #6  
WITH SPLASH  
PAD

BB

BB

POND 3

GRouted RIP RAP  
SPILLWAY TO POND 4

NOTE: POND DEPTH IS 4' WITH 1' OF  
FREEBOARD. ALL SLOPES SHALL BE 2:1  
"BBB"-DENOTES PLACEMENT OF  
CURTAINS

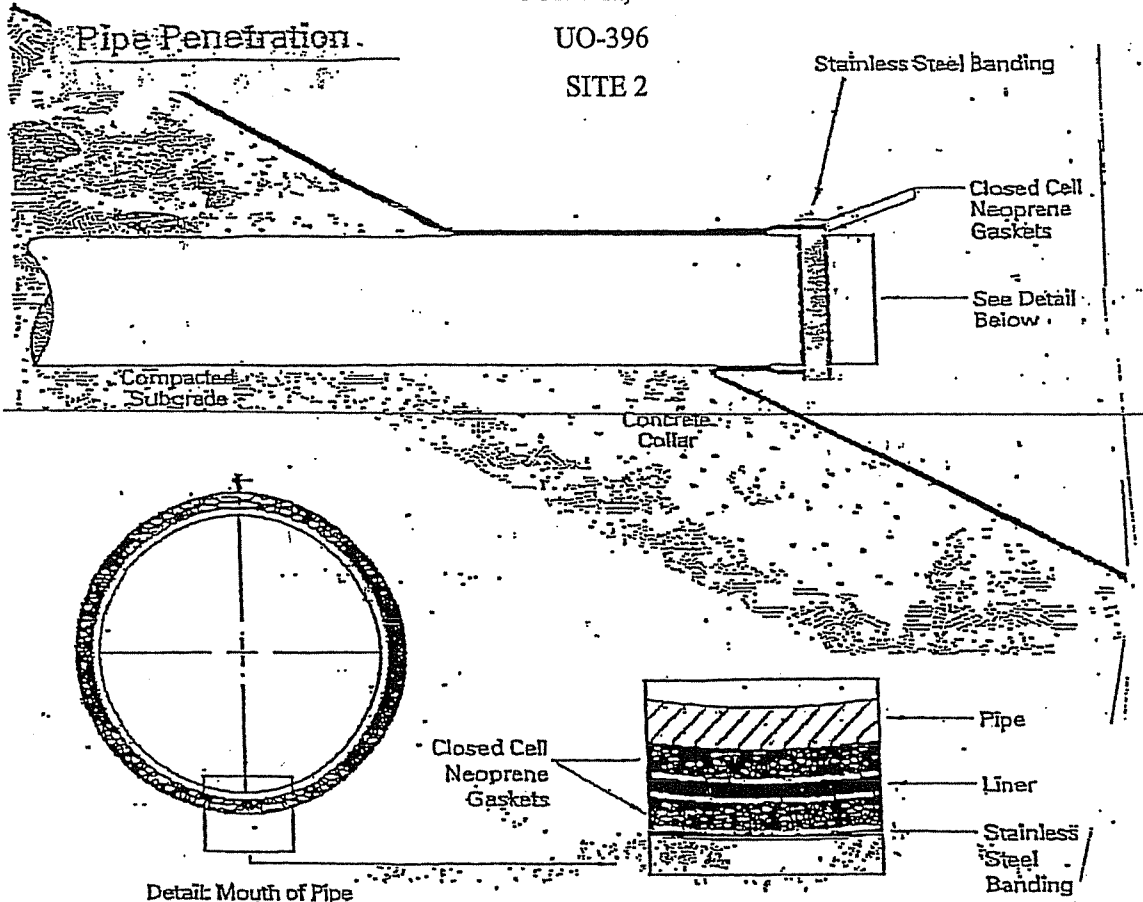
OFFICE OF SPECIAL RECLAMATION	
POND 3 TYPICAL ATTACHMENT	
SCALE: NOT TO SCALE	DRAWN BY:
DATE:	PROJECT NO:





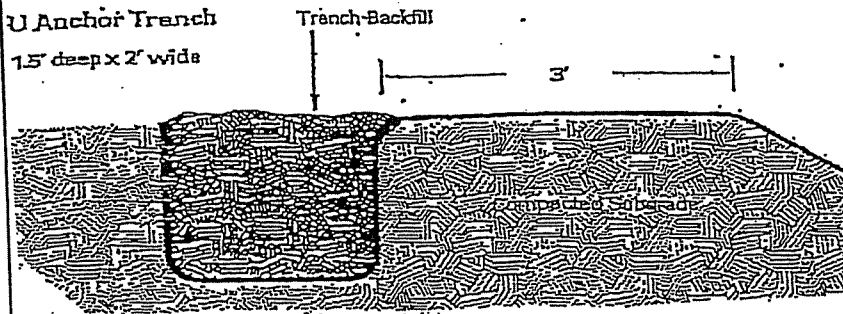
BUYER CB-23	PAGE 192	REQ. OR PO NO DEP 13007
SPENDING UNIT WEST VIRGINIA DEPARTMENT OF ENVIRONMENTAL PROTECTION/OFFICE OF SPECIAL RECLAMATION		

COAL-X, INC.  
 UO-396  
 SITE 2



Detail: Mouth of Pipe

Anchor Trench Details



OFFICE OF SPECIAL RECLAMATION

SITE 2 PIPE PENETRATION-POND  
 LINER DETAIL ATTACHMENT

SCALE:  
 NOT TO SCALE

DRAWN BY:  
 MSM

DATE:  
 9/11/06

PROJECT NO:  
 UO-396

BUYER CB-23	PAGE 093	REQ. OR PO NO DEP 13007
SPENDING UNIT WEST VIRGINIA DEPARTMENT OF ENVIRONMENTAL PROTECTION/OFFICE OF SPECIAL RECLAMATION		

COAL-X, INC.  
 UO-396  
 SITE 2



**SMOOTH HDPE GEOMEMBRANE  
 DATA SHEET**

Nominal Values

Property	Test Method	60 Mil
Thickness, mils	ASTM D 1593	60
Sheet Density, g/cc	ASTM D 1505	0.95
Carbon Black Content, %	ASTM D 1603	2.5
Carbon Black Dispersion	ASTM D 3015 or ASTM D 5596	A2 CAT.1
<b>Tensile Properties</b>		
	ASTM D 638 (Type IV Specimen @ 2 ipm)	
1. Tensile Strength at Yield, psi		159
2. Elongation at Yield, %		15
3. Tensile Strength at Break, psi		285
4. Elongation at Break, (2.0" G.L.) %		825
(2.5" G.L.) %		660
<b>Tear Strength, lbs.</b>		
Puncture Resistance, lbs.	ASTM D 1004	50
	FTMS 101 - 2065	96
	ASTM D 4833	135
<b>ESCR - Bent Strip, hours</b>		
	ASTM D 1693 (Cond. B)	2,000+
<b>ESCR - Constant Load, hours</b>		
	ASTM D 5397 (@ 30% of min. yield stress)	400
<b>Roll Dimensions</b>		
1. Width (feet):		23
2. Length (feet)		500
3. Area (square feet):		11,500
4. Gross weight (pounds, approx.)		3,470

OFFICE OF SPECIAL RECLAMATION	
SITE 2 POND LINER DETAIL ATTACHMENT	
SCALE: NOT TO SCALE	DRAWN BY: MSM
DATE: 9/11/06	PROJECT NO: UO-396

BUYER CB-23	PAGE 094	REQ. OR PONO DEP 13007
SPENDING UNIT WEST VIRGINIA DEPARTMENT OF ENVIRONMENTAL PROTECTION/OFFICE OF SPECIAL RECLAMATION		

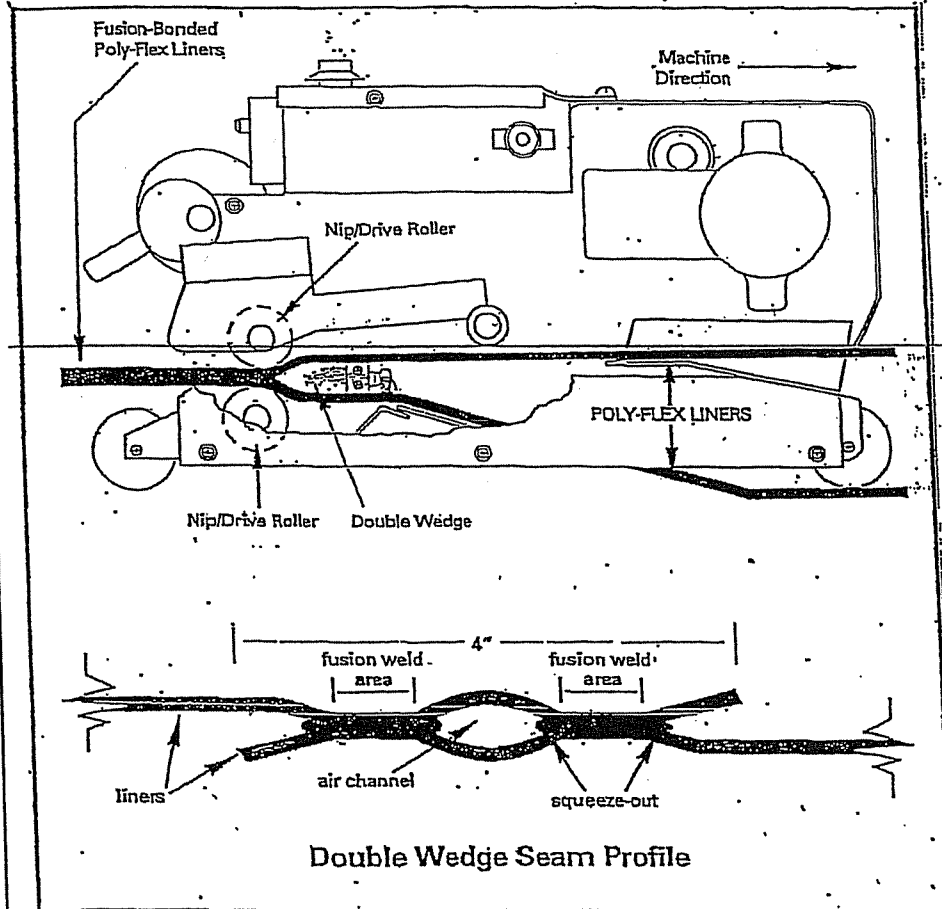
COAL-X, INC.

UO-396

SITE 2

POLY-FLEX FUSION WELDING SYSTEM

The Fusion System (below) produces a bonded seam by running a hot metal wedge between the overlapped area of the Poly-Flex liners. As the welding machine advances, these overlapped portions of the liners come together at the tapered end of the wedge, where pressure from two nip/drive rollers creates the heated meniscus brahes to bond together. The heat applied to the overlapping surfaces is precisely controllable.



This seaming method is designed to achieve the following:

1. Monitor operating temperatures via digital readout.
2. Form uniform bonds by applying consistent pressure to the seam areas.
3. Reduce surface tension and remove surface contamination without grinding, which improves seam strength.
4. Ensure high reliability, which results in consistent seam integrity.
5. Minimize operator error, as the machine is semi-automatic.

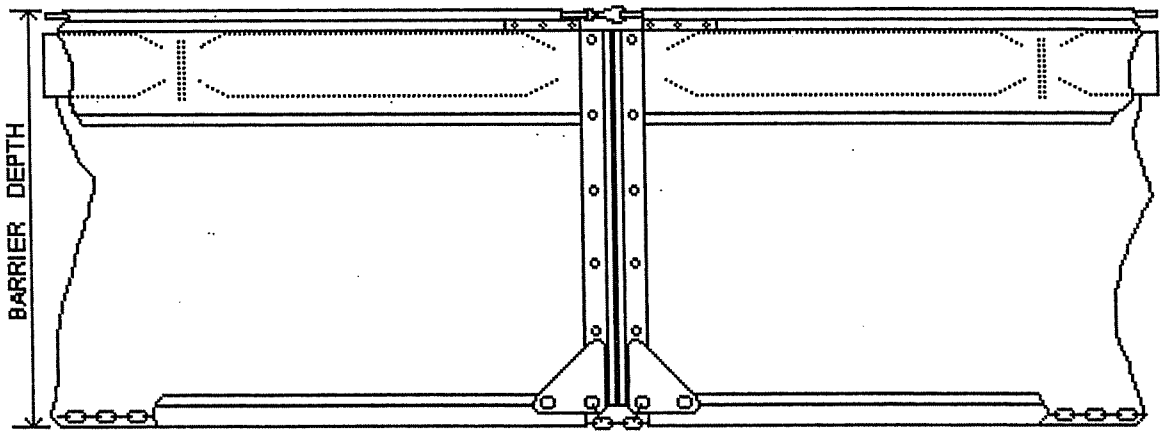
Seaming procedures using Poly-Flex fusion welder:

1. Surfaces shall be clean and dry.
2. Test welds shall be performed prior to field seaming each morning and afternoon.
3. The overlap between Poly-Flex liners shall be at minimum 4 inches. The two sheets shall be straightened to keep the seamed edges smooth and wrinkle-free.

OFFICE OF SPECIAL RECLAMATION	
SITE 2 POND LINER FUSION DETAIL ATTACHMENT	
SCALE: NOT TO SCALE	DRAWN BY: MSM
DATE: 9/11/06	PROJECT NO: UO-396

BUYER CB-23	PAGE 095	REQ. OR PO NO DEP 13007
SPENDING UNIT WEST VIRGINIA DEPARTMENT OF ENVIRONMENTAL PROTECTION/OFFICE OF SPECIAL RECLAMATION		

COAL-X, Inc.  
 UO-396  
 SITE 2



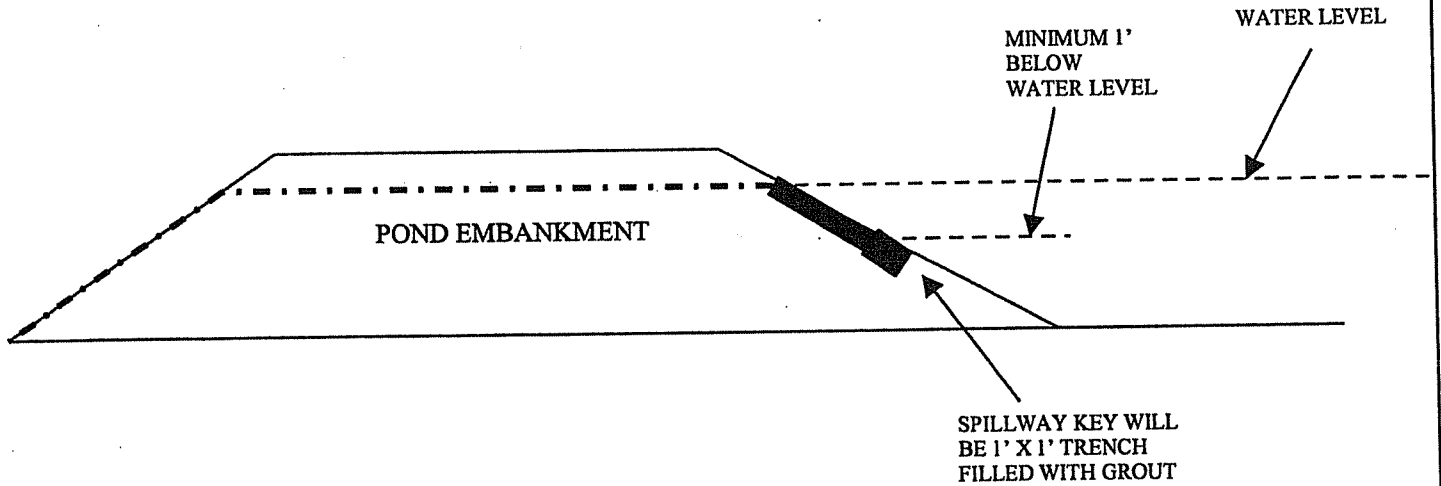
NOTE: ALL FLOATING BAFFLES USED ON THIS PROJECT SHALL BE AER-FLO, INC. TOUGH GUY TURBIDITY BARRIERS TYPE 2 DOT WITH TWENTY-TWO (22) OUNCE VINYL-POLYESTER FABRIC OR EQUIVALENT. THE VINYL-POLYESTER FABRIC SHALL BE GREEN OR BLUE IN COLOR. (SEE ATTACHED SPECIFICATIONS)

OFFICE OF SPECIAL RECLAMATION	
POND FLOATING BAFFLES SPECIFICATIONS TYPICAL	
SCALE: NOT TO SCALE	DRAWN BY: MSM
DATE: 12/4/2006	PROJECT NO: UO-396

WV-36a STATE OF WEST VIRGINIA  
 REV. 1/29/02 PURCHASING CONTINUATION SHEET  
 VENDOR:

BUYER CB-23	PAGE 098	REQ. OR PO NO DEP.
SPENDING UNIT WEST VIRGINIA DEPARTMENT OF ENVIRONMENTAL PROTECTION / OFFICE OF SPECIAL RECLAMATION		

COAL-X Inc. UO-396  
 SITE 2



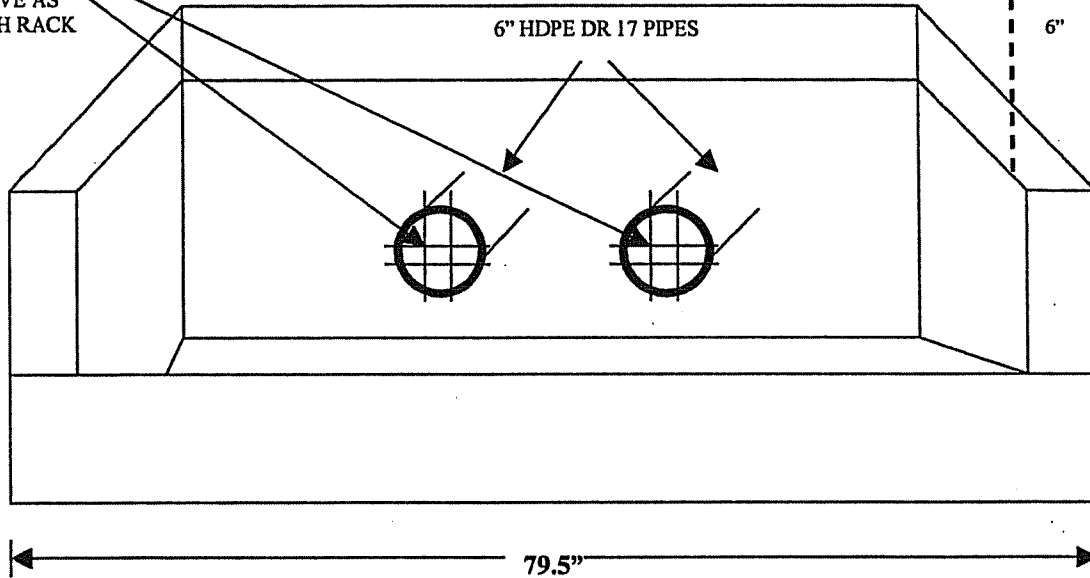
**NOTE: ALL GROUTED SPILLWAYS MUST BE CONSTRUCTED WITH 100% PENETRATION OF GROUT THROUGHOUT THE SPILLWAY CHANNEL.**

<b>OFFICE OF SPECIAL RECLAMATION</b>	
<b>SITE 2 PONDS 2,3, AND 4 SPILLWAY</b>	
<b>TYPICAL ATTACHMENT</b>	
SCALE: NOT TO SCALE	DRAWN BY:
DATE:	PROJECT NO:

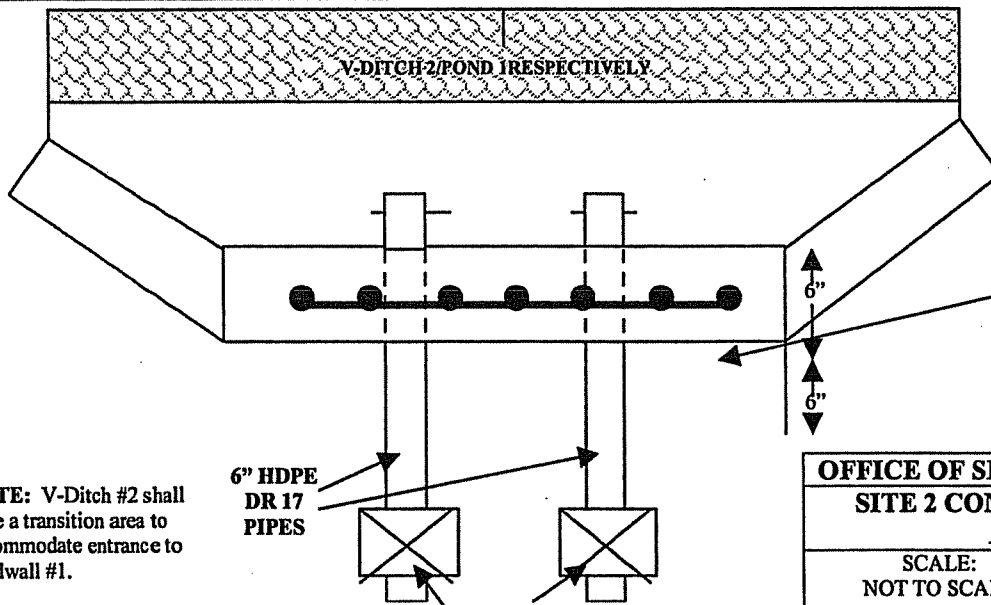
BUYER CB-23	PAGE 097	REQ. OR PO NO DEP, 13007
SPENDING UNIT WEST VIRGINIA DEPARTMENT OF ENVIRONMENTAL PROTECTION / OFFICE OF SPECIAL RECLAMATION		

1/2" STAINLESS  
 STEEL BOLTS  
 PLACED ON 2"  
 CENTERS TO  
 SERVE AS  
 TRASH RACK

**COAL-X Inc. UO-396  
 SITE 2**



**FRONT VIEW**



NOTE: V-Ditch #2 shall have a transition area to accommodate entrance to headwall #1.

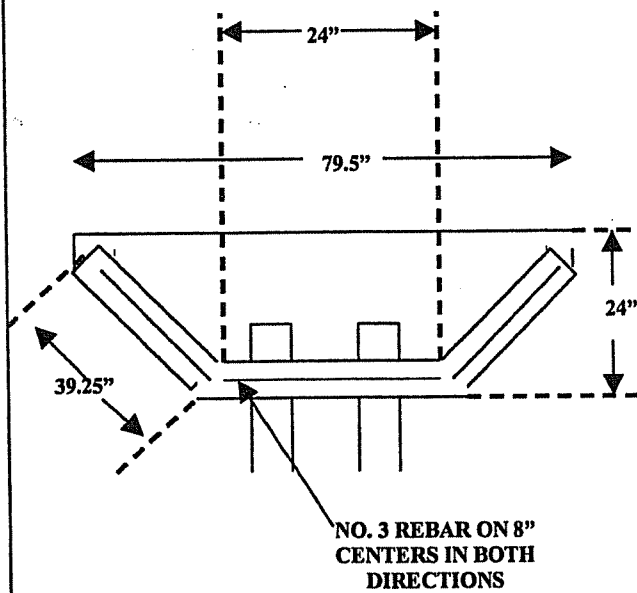
NOTE: Concrete used in Headwalls shall be Class B Concrete to meet applicable provisions of Section 601 of the WVDOT Standard Specifications.

**TOP VIEW**

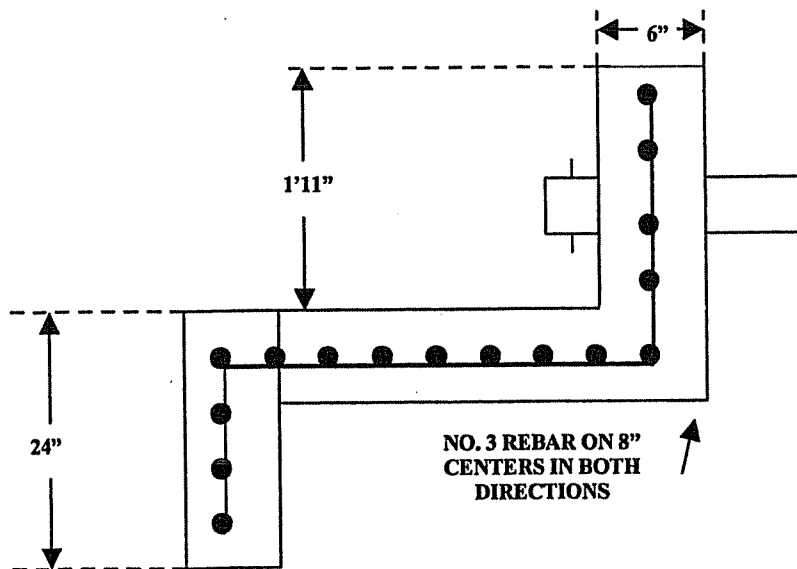
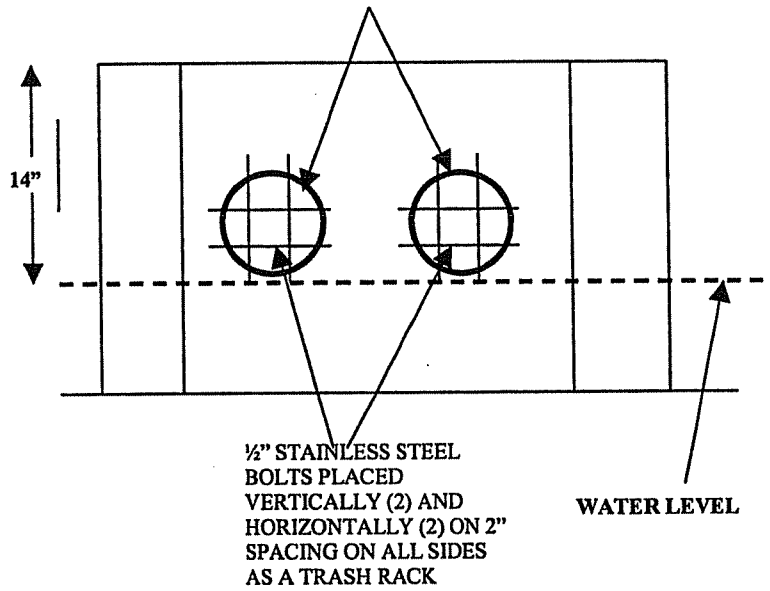
<b>OFFICE OF SPECIAL RECLAMATION</b>	
<b>SITE 2 CONCRETE HEADWALL #1/3</b>	
<b>ATTACHMENT</b>	
SCALE: NOT TO SCALE	DRAWN BY:
DATE:	PROJECT NO:

BUYER CB-23	PAGE 098	REQ. OR PO NO DEP. 13007
SPENDING UNIT WEST VIRGINIA DEPARTMENT OF ENVIRONMENTAL PROTECTION / OFFICE OF SPECIAL RECLAMATION		

COAL-X Inc. UO-396  
 SITE 2

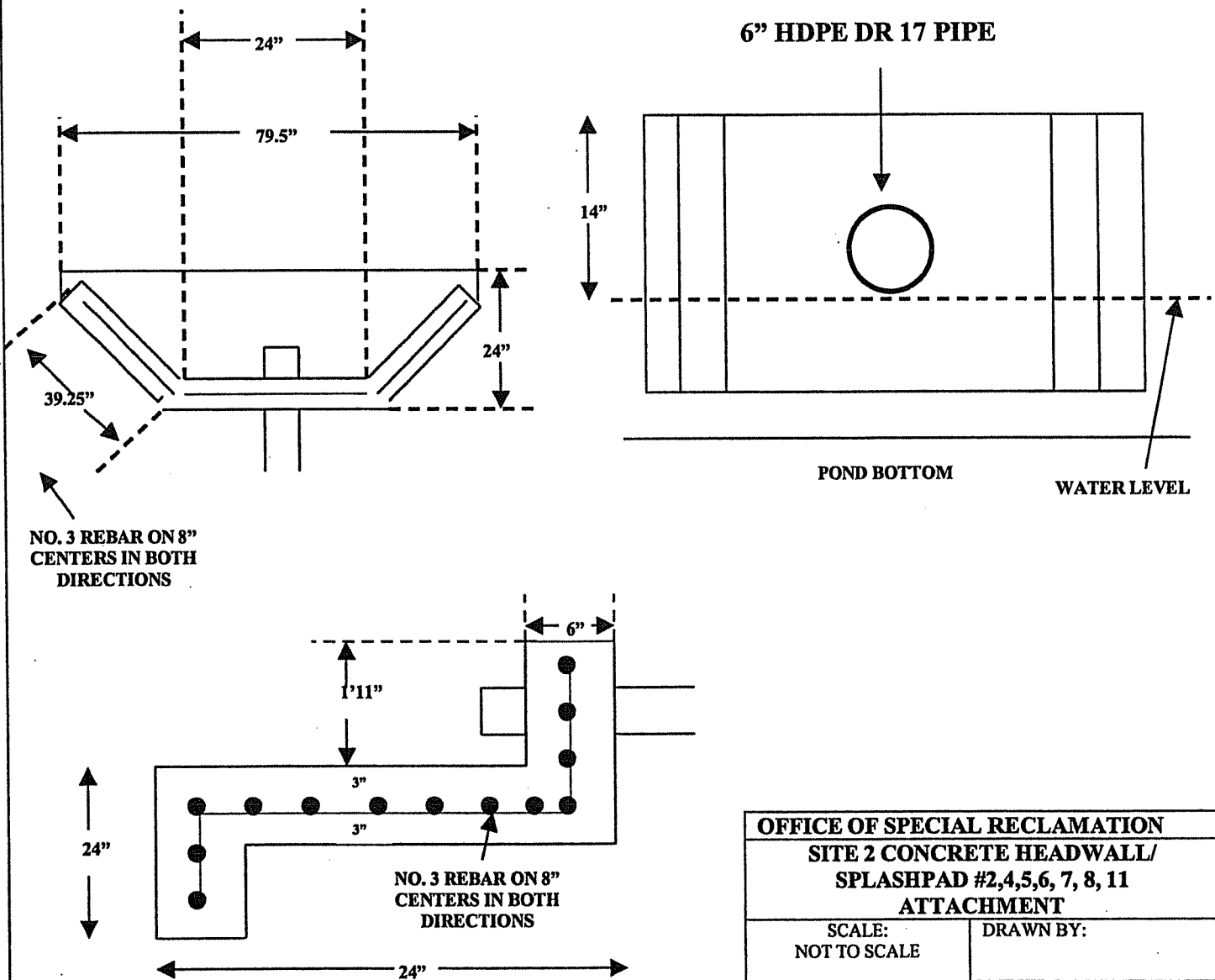


6" HDPE DR 17 PIPE



<b>OFFICE OF SPECIAL RECLAMATION</b>	
<b>SITE 2 CONCRETE HEADWALL #1/3</b>	
SCALE: NOT TO SCALE	DRAWN BY:
DATE:	PROJECT NO:

COAL-X Inc. UO-396  
 SITE 2



<b>OFFICE OF SPECIAL RECLAMATION</b>	
<b>SITE 2 CONCRETE HEADWALL/ SPLASHPAD #2,4,5,6, 7, 8, 11</b>	
<b>ATTACHMENT</b>	
SCALE: NOT TO SCALE	DRAWN BY:
DATE:	PROJECT NO:



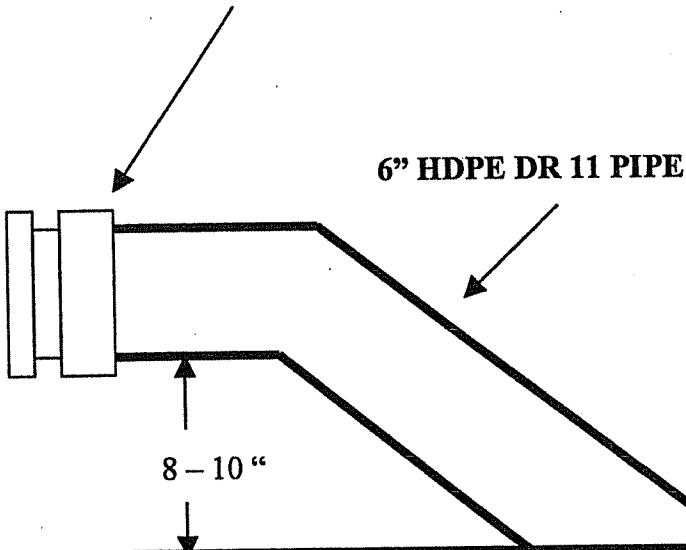
WV-36a STATE OF WEST VIRGINIA  
REV. 1/29/02 PURCHASING CONTINUATION SHEET  
VENDOR:

BUYER CB-23	PAGE 100	REQ. OR PO NO DEP.13007
SPENDING UNIT WEST VIRGINIA DEPARTMENT OF ENVIRONMENTAL PROTECTION / OFFICE OF SPECIAL RECLAMATION		

COAL-X  
UO-396 SITE 2

SLUDGE PUMP HOOK UP LINE

WITH STAINLESS STEEL CAM-LOCK CONNECTION



POND LINER

OFFICE OF SPECIAL RECLAMATION

SLUDGE PUMP LINE ATTACHMENT  
PONDS 1 & 2

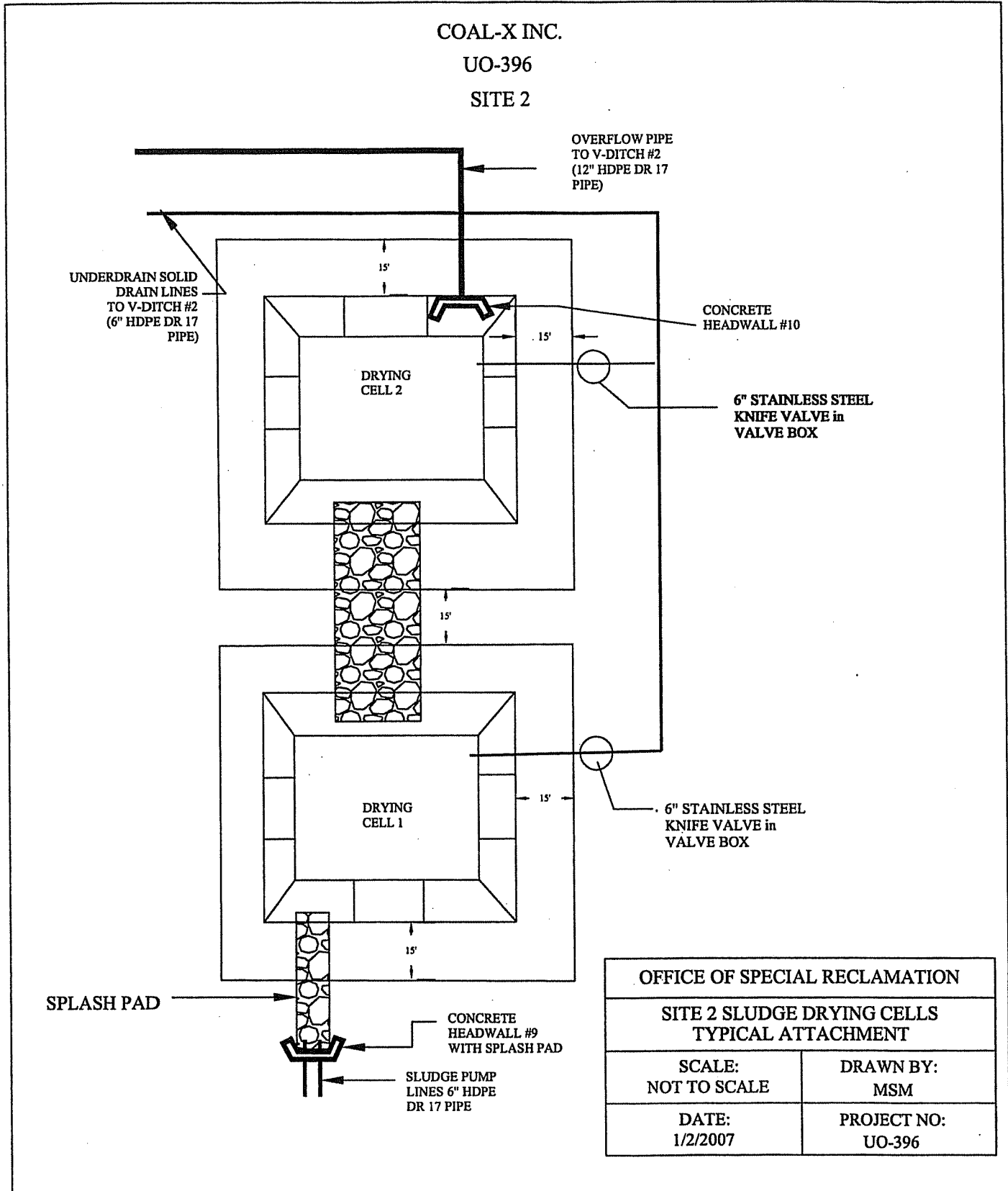
SCALE:  
NOT TO SCALE

DRAWN BY:

DATE:

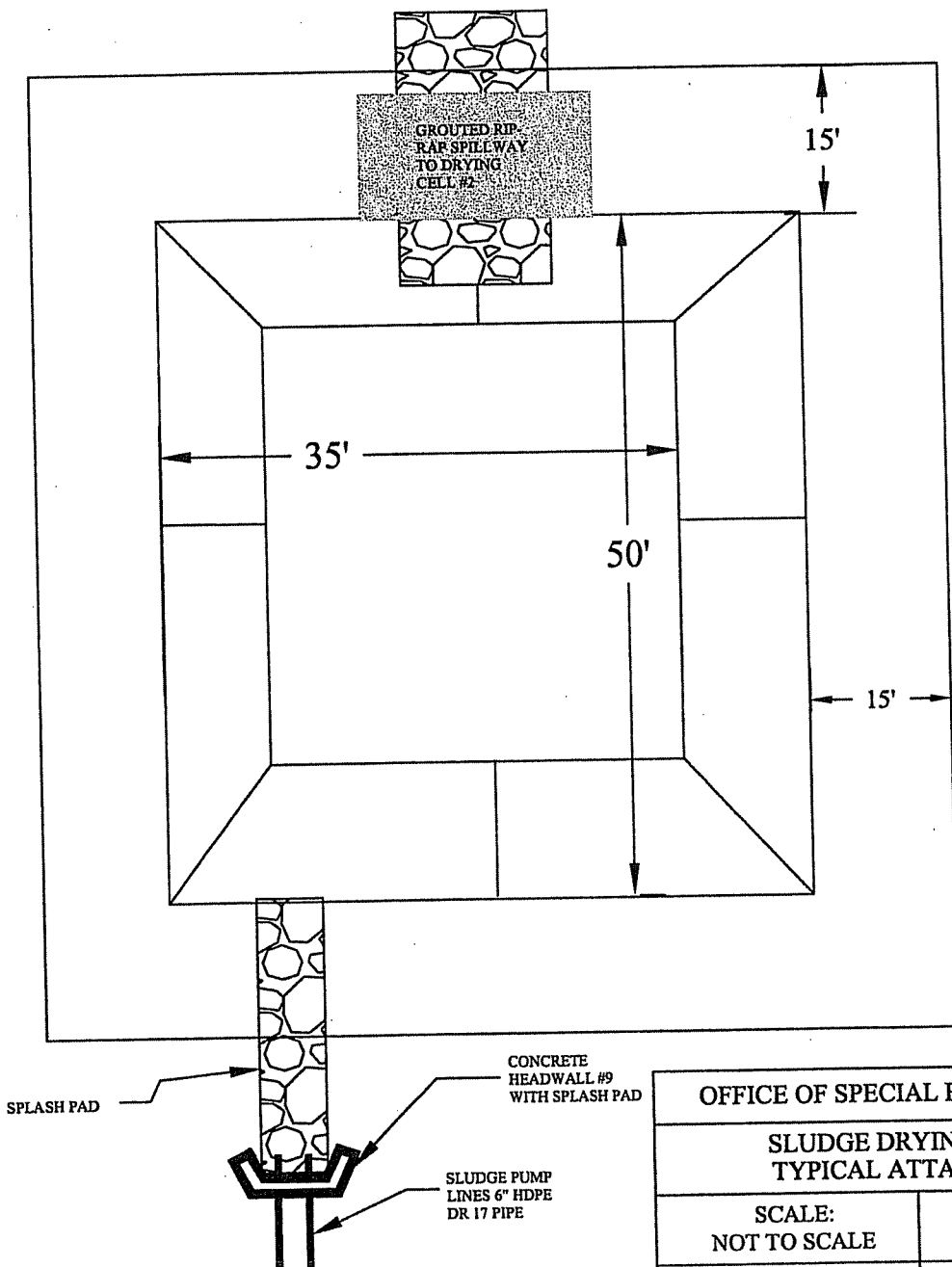
PROJECT NO:

BUYER CB-23	PAGE <b>101</b>	REQ. OR PO NO DEP 13007
SPENDING UNIT WEST VIRGINIA DEPARTMENT OF ENVIRONMENTAL PROTECTION/OFFICE OF SPECIAL RECLAMATION		



BUYER CB-23	PAGE 102	REQ. OR PO NO DEP 13007
SPENDING UNIT WEST VIRGINIA DEPARTMENT OF ENVIRONMENTAL PROTECTION/OFFICE OF SPECIAL RECLAMATION		

COAL-X INC.  
 UO-396  
 SITE 2



NOTE: Cell has a Depth of 5' with 2:1 side slopes.

OFFICE OF SPECIAL RECLAMATION	
SLUDGE DRYING CELL 1 TYPICAL ATTACHMENT	
SCALE: NOT TO SCALE	DRAWN BY: MSM
DATE: 1/8/2007	PROJECT NO: UO-396

WV-36a STATE OF WEST VIRGINIA  
 REV. 1/29/02 PURCHASING CONTINUATION SHEET  
 VENDOR:

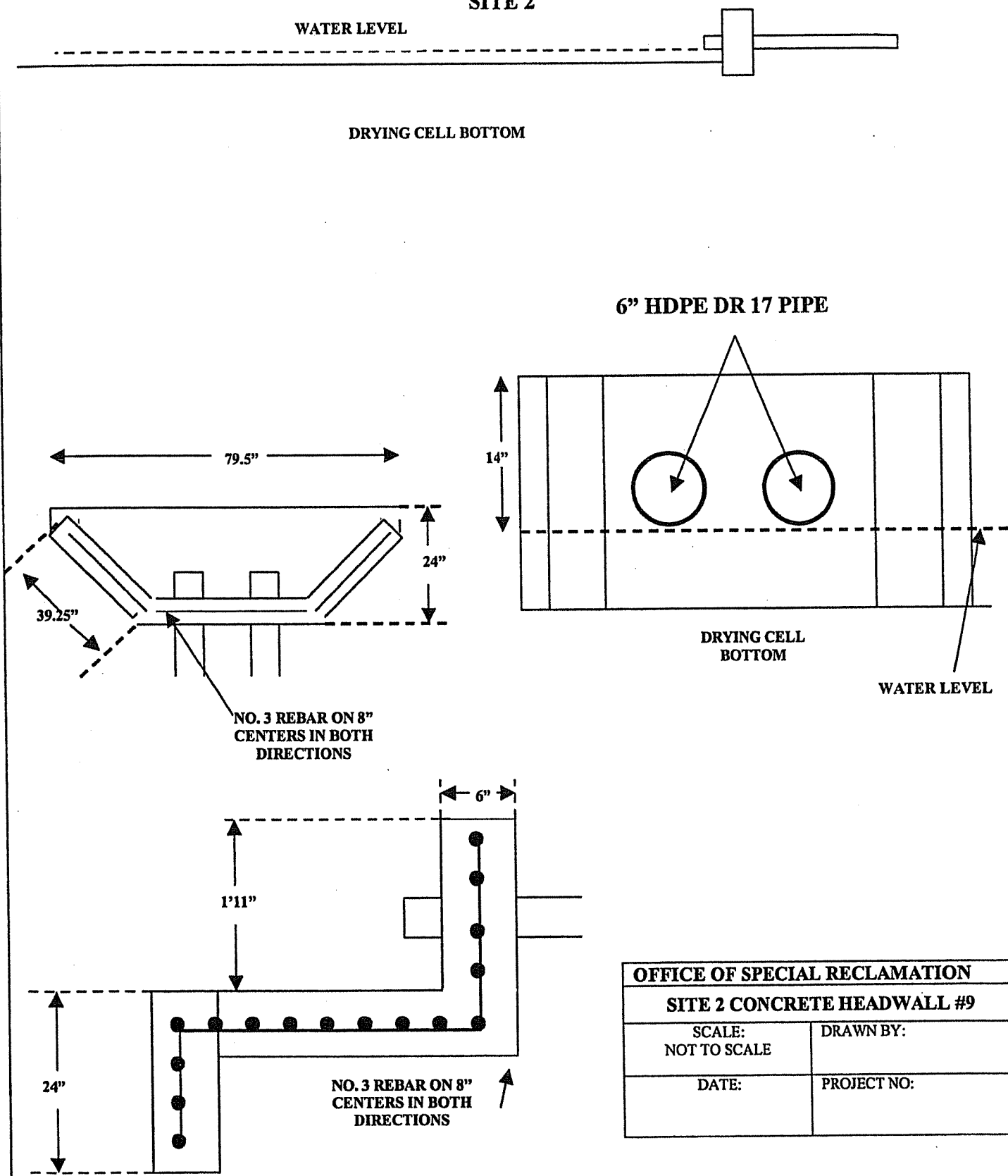
BUYER CB-23	PAGE 103	REQ. OR PO NO DEP. 13007
SPENDING UNIT WEST VIRGINIA DEPARTMENT OF ENVIRONMENTAL PROTECTION / OFFICE OF SPECIAL RECLAMATION		

COAL-X Inc. UO-396  
 SITE 2

WATER LEVEL

DRYING CELL BOTTOM

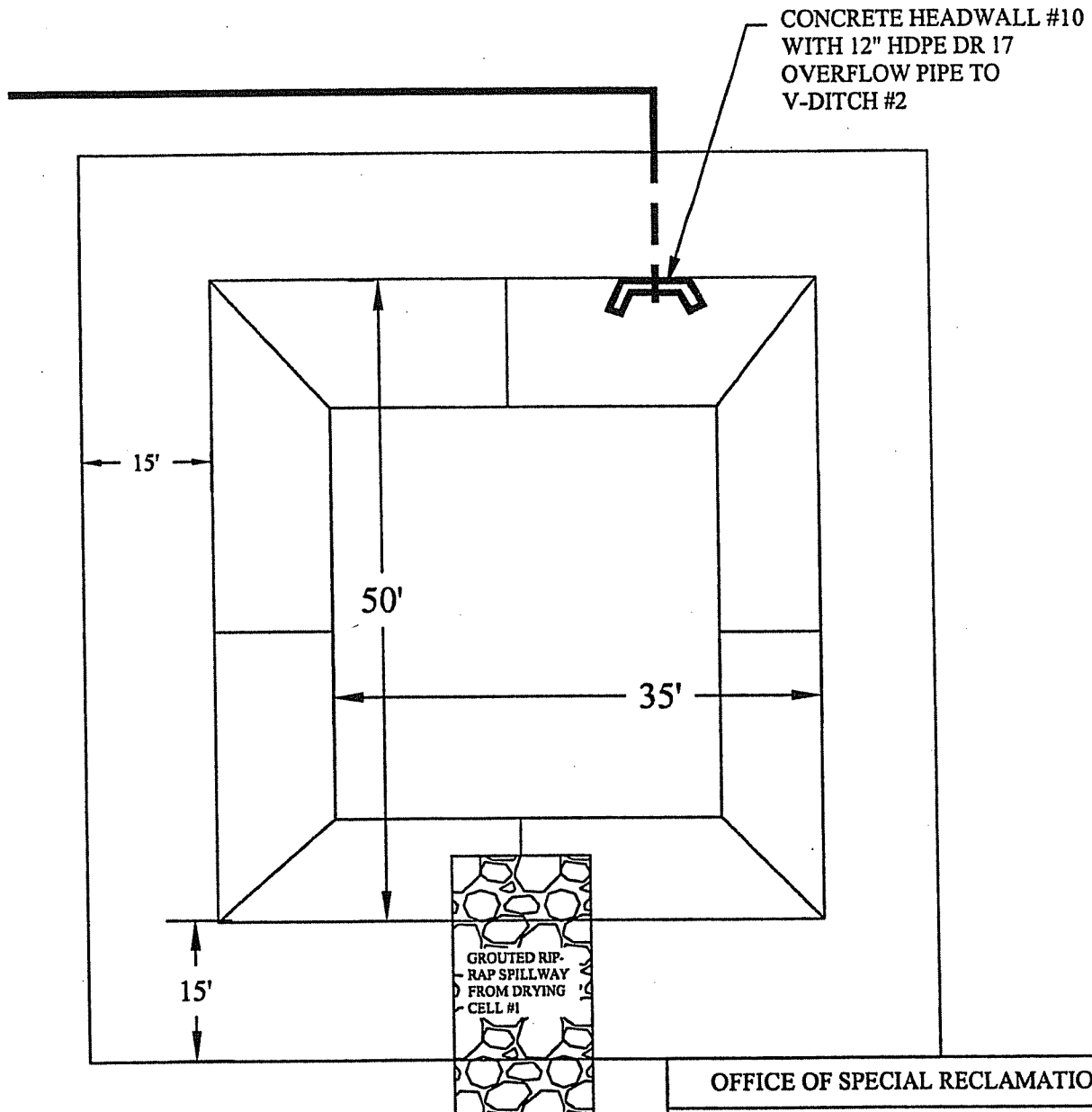
6" HDPE DR 17 PIPE



<b>OFFICE OF SPECIAL RECLAMATION</b>	
<b>SITE 2 CONCRETE HEADWALL #9</b>	
SCALE: NOT TO SCALE	DRAWN BY:
DATE:	PROJECT NO:

BUYER CB-23	PAGE 104	REQ. OR PO NO DEP 13007
SPENDING UNIT WEST VIRGINIA DEPARTMENT OF ENVIRONMENTAL PROTECTION/OFFICE OF SPECIAL RECLAMATION		

COAL-X INC.  
 UO-396  
 SITE 2

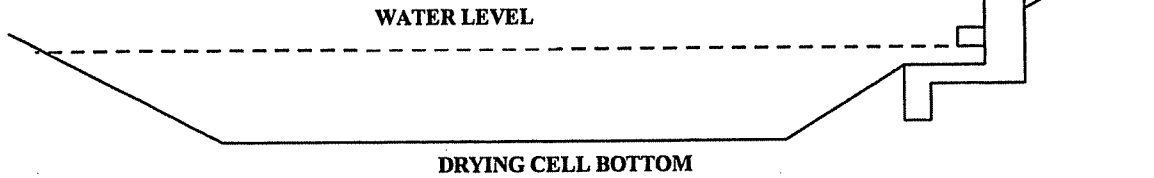


OFFICE OF SPECIAL RECLAMATION	
SLUDGE DRYING CELL 2 TYPICAL ATTACHMENT	
SCALE: NOT TO SCALE	DRAWN BY: MSM
DATE: 1/8/2007	PROJECT NO: UO-396

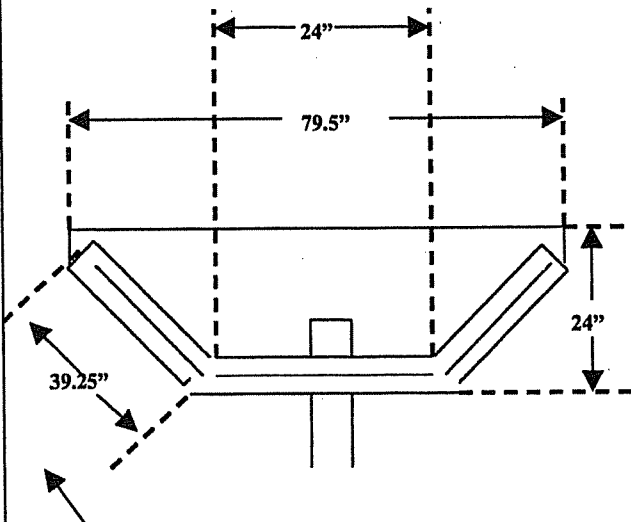
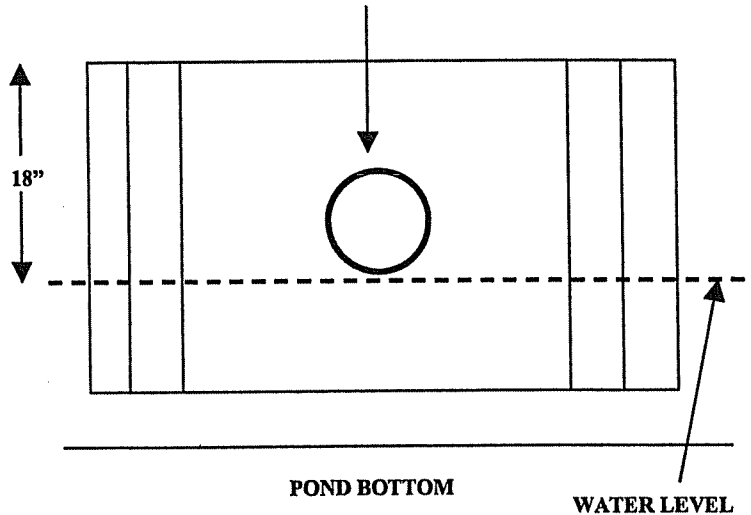
NOTE: Cell has a Depth of 5' with 2:1 side slopes.

BUYER CB-23	PAGE 105	REQ. OR PO NO DEP. 13007
SPENDING UNIT WEST VIRGINIA DEPARTMENT OF ENVIRONMENTAL PROTECTION / OFFICE OF SPECIAL RECLAMATION		

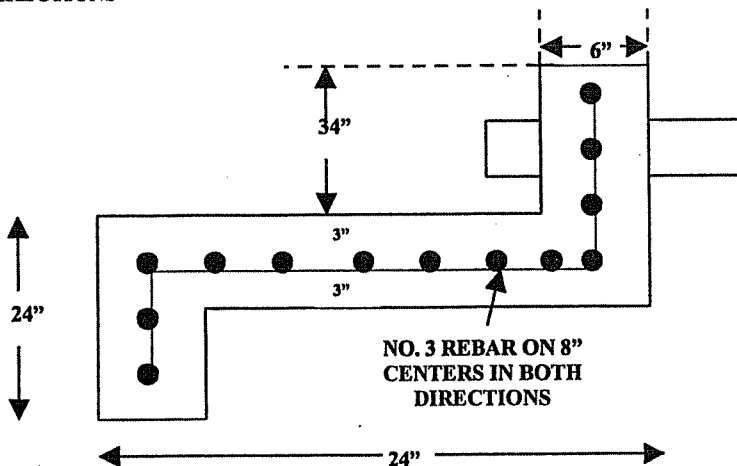
COAL-X Inc. UO-396  
 SITE 2



12" HDPE DR 17  
 OVER FLOW PIPE TO  
 V-DITCH #2



NO. 3 REBAR ON 8"  
 CENTERS IN BOTH  
 DIRECTIONS

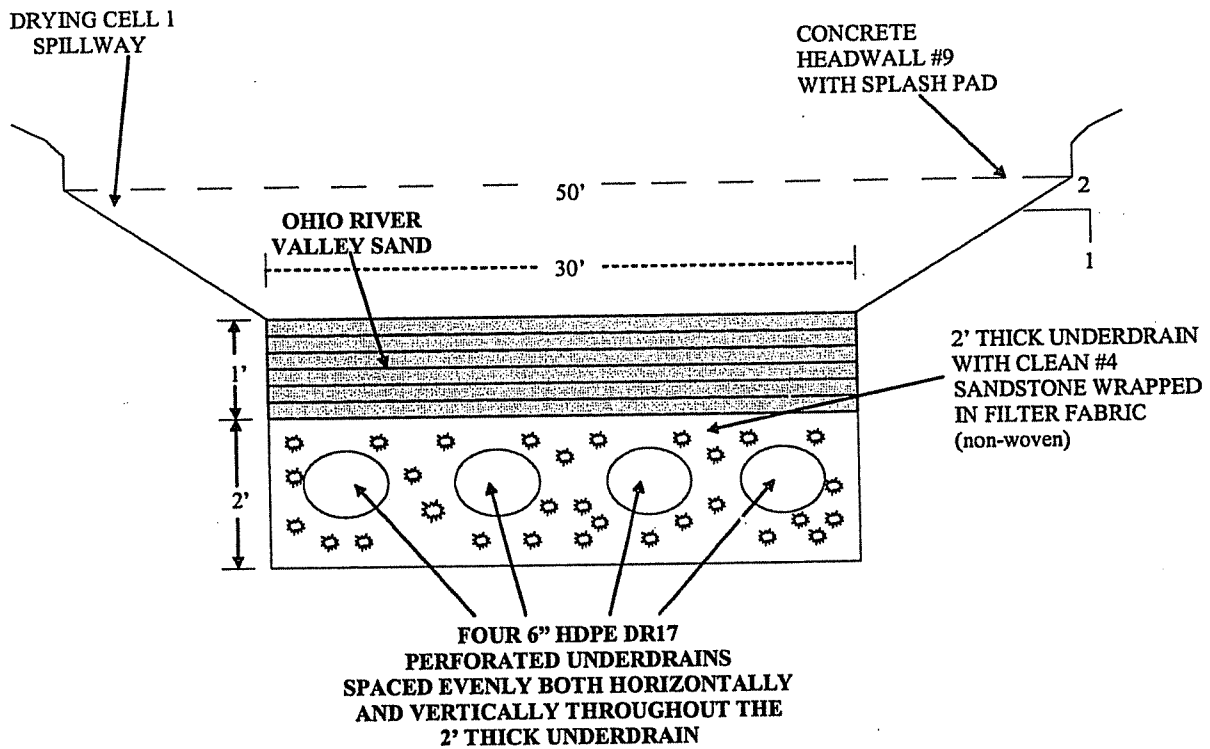


NO. 3 REBAR ON 8"  
 CENTERS IN BOTH  
 DIRECTIONS

OFFICE OF SPECIAL RECLAMATION SITE 2 CONCRETE HEADWALL #10 ATTACHMENT	
SCALE: NOT TO SCALE	DRAWN BY:
DATE:	PROJECT NO:

BUYER CB-23	PAGE 106	REQ. OR PO NO DEP 13007
SPENDING UNIT WEST VIRGINIA DEPARTMENT OF ENVIRONMENTAL PROTECTION/OFFICE OF SPECIAL RECLAMATION		

COAL-X INC.  
 UO-396  
 SITE 2



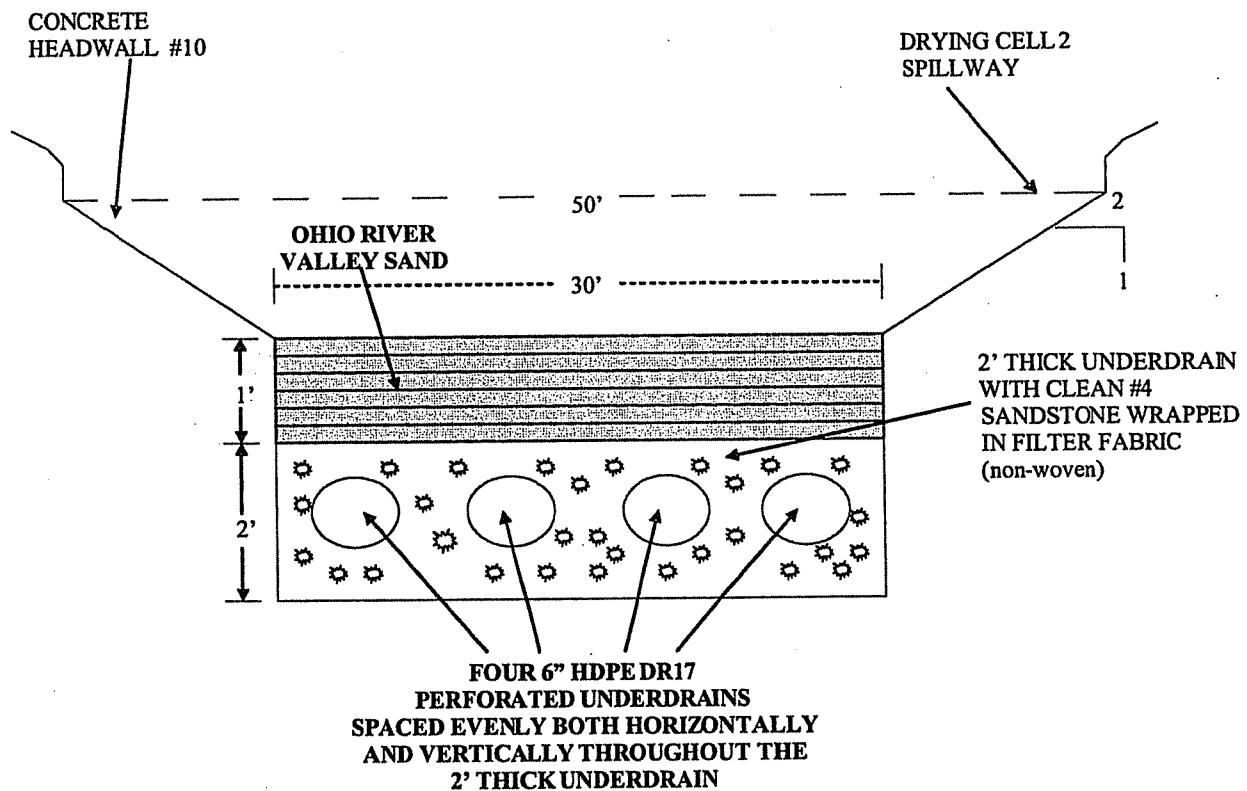
**NOTE:**

1. ALL PIPE CONNECTIONS WILL BE FUSED ON SITE.
2. LOOK AT PIPE PERFORATION DETAIL FOR INFORMATION ON DRILLING PIPE.

OFFICE OF SPECIAL RECLAMATION	
DRYING CELL 1 X-SECTION TYPICAL ATTACHMENT	
SCALE: NOT TO SCALE	DRAWN BY: MSM
DATE: 9/21/06	PROJECT NO: UO-396

BUYER CB-23*	PAGE 102	REQ. OR PO NO DEP 13007
SPENDING UNIT WEST VIRGINIA DEPARTMENT OF ENVIRONMENTAL PROTECTION/OFFICE OF SPECIAL RECLAMATION		

COAL-X INC.  
 UO-396  
 SITE 2



NOTE:

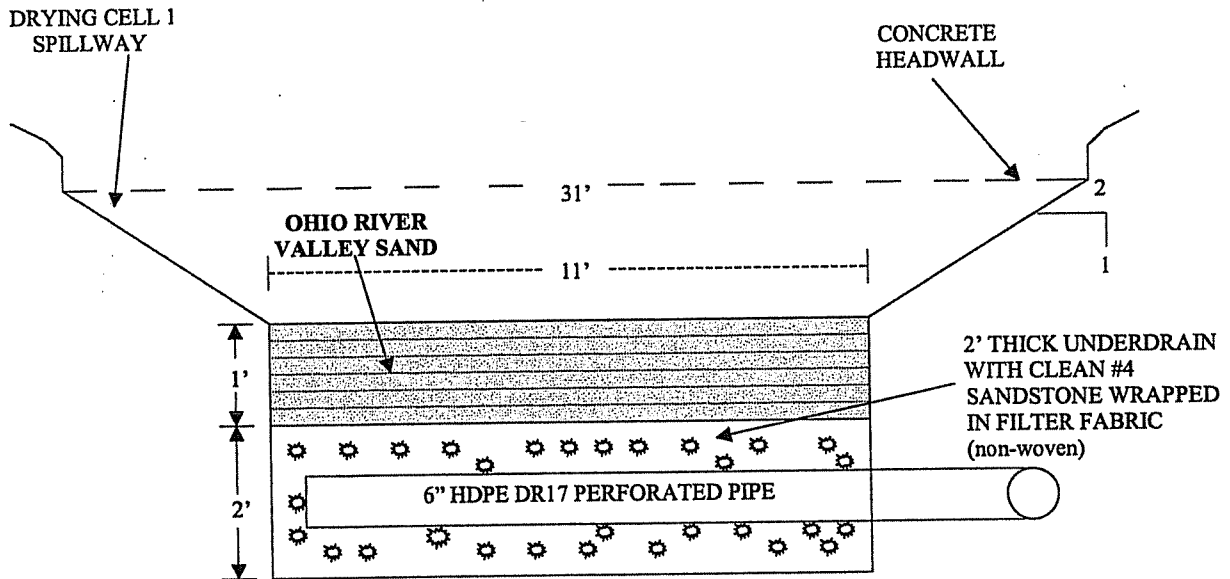
1. ALL PIPE CONNECTIONS WILL BE FUSED ON SITE.
2. LOOK AT PIPE PERFORATION DETAIL FOR INFORMATION ON DRILLING PIPE.

OFFICE OF SPECIAL RECLAMATION	
DRYING CELL 2 X-SECTION TYPICAL ATTACHMENT	
SCALE: NOT TO SCALE	DRAWN BY: MSM
DATE: 9/21/06	PROJECT NO: UO-396



BUYER CB-23	PAGE 108	REQ. OR PO NO DEP 13007
SPENDING UNIT WEST VIRGINIA DEPARTMENT OF ENVIRONMENTAL PROTECTION/OFFICE OF SPECIAL RECLAMATION		

COAL-X INC.  
 UO-396  
 SITE 2



NOTE:

1. ALL PIPE CONNECTIONS WILL BE FUSED ON SITE.
2. LOOK AT PIPE PERFORATION DETAIL FOR INFORMATION ON DRILLING PIPE.
3. PIPE PERFORATIONS WILL END AS THE 6" HDPE DR 17 PIPE LEAVES THE 2' UNDERDRAIN. THE PIPE WILL BE SOLID 6" HDPE DR 17 PIPE FROM THAT POINT ON.

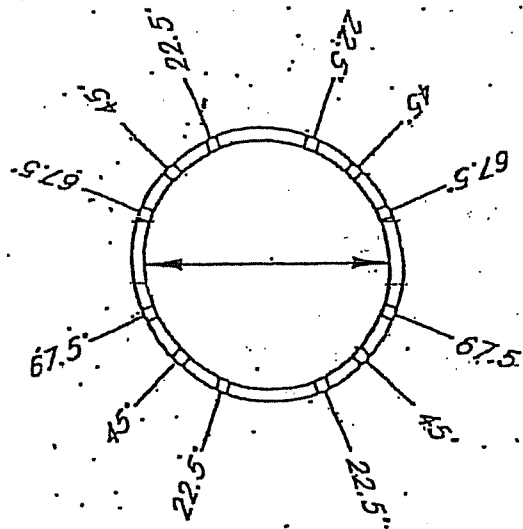
OFFICE OF SPECIAL RECLAMATION	
SITE 2 SLUDGE DRYING CELL X-SECTION ATTACHMENT	
SCALE: NOT TO SCALE	DRAWN BY: MSM
DATE: 9/21/06	PROJECT NO: UO-396

WV-36a STATE OF WEST VIRGINIA  
 REV. 1/29/02 PURCHASING CONTINUATION SHEET  
 VENDOR:

BUYER CB-23	PAGE 109	REQ. OR PO NO DEP. 13007
SPENDING UNIT WEST VIRGINIA DEPARTMENT OF ENVIRONMENTAL PROTECTION / OFFICE OF SPECIAL RECLAMATION		

COAL-X Inc. UO-396  
 SITE 2

DIAMETER OF DRILL HOLES WILL BE 3/4" AND SPACED  
 6" APART ALONG THE LENGTH OF THE PIPE. REFER TO  
 THE DETAIL BELOW FOR THE HOLES SPACING ALONG  
 THE CIRCUMFERENCE OF THE PIPE.



PIPE PERFORATIONS  
DETAIL

**NOTE:** PERFORATION DETAIL FOR ALL 6" AND 12"  
 HDPE DR 17 PIPE TO BE USED FOR SLUDGE DRYING  
 CELL UNDERDRAINS AND DECANT STAND PIPES

OFFICE OF SPECIAL RECLAMATION	
SITE 2 6" AND 12" HDPE DR 17 PIPE PERFORATION DETAIL ATTACHMENT	
SCALE: NOT TO SCALE	DRAWN BY:
DATE:	PROJECT NO:

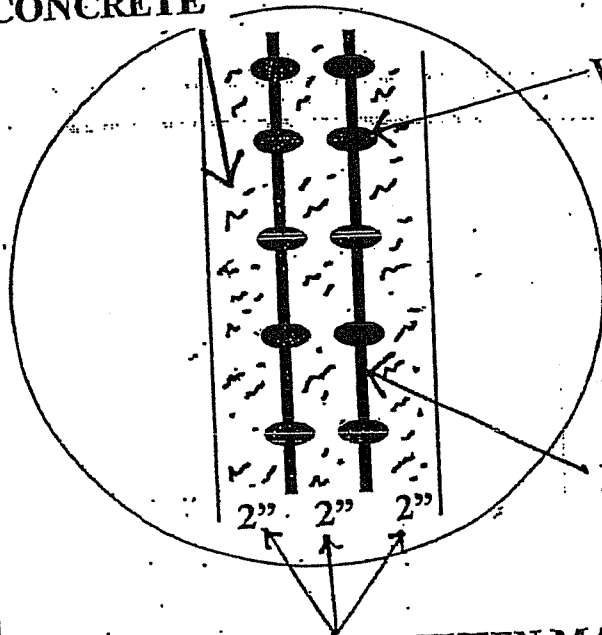
BUYER CB-23	PAGE 110	REQ. OR PO NO DEP. 13007
SPENDING UNIT WEST VIRGINIA DEPARTMENT OF ENVIRONMENTAL PROTECTION / OFFICE OF SPECIAL RECLAMATION		

COAL-X Inc.  
 UO-396  
 SITE 2

**CONCRETE CONSTRUCTION DETAILS FOR  
 DROP INLETS / WING WALLS/ ACCESS PADS**

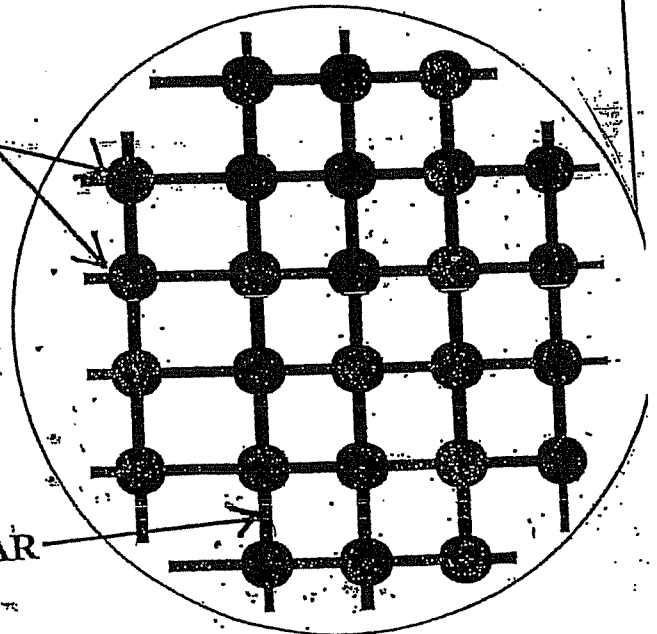
1. TWO MATS OF NO. 5 REBAR ON AN 8" GRID PATTERN SHALL BE PLACED THROUGHOUT THE CONCRETE STRUCTURE.
2. EACH 8" GRID WILL BE TIED / WIRED AT CORNERS.
3. EACH MAT SHALL BE SPACED EVENLY THROUGHOUT THE THICKNESS OF THE CONCRETE.
4. ALL SIDE AND BOTTOM MATS WILL BE TIED / JOINED AT THE EDGES TO FORM A CONTINUOUS INTERNAL STRUCTURE.

CONCRETE



WIRE TIES

NO. 5 REBAR



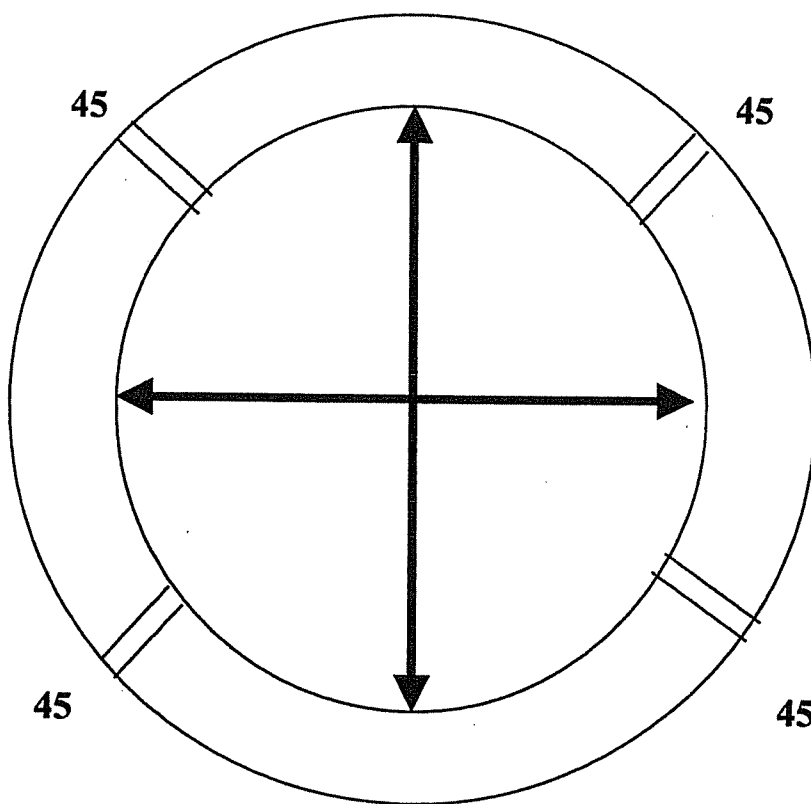
EQUAL SPACING BETWEEN MATS

OFFICE OF SPECIAL RECLAMATION SITE 2 CONCRETE DETAILS for DROP INLET BOX/WING WALLS/ and ACCESS PADS ATTACHMENT	
SCALE: NOT TO SCALE	DRAWN BY:
DATE:	PROJECT NO:

BUYER CB-23	PAGE 111	REQ. OR PO NO DEP. 13007
SPENDING UNIT WEST VIRGINIA DEPARTMENT OF ENVIRONMENTAL PROTECTION / OFFICE OF SPECIAL RECLAMATION		

**COAL-X  
UO-396  
SITE 2**

DIAMETER OF DRILL HOLES WILL BE 3/4" AND SPACED 6" APART ALONG THE LENGTH OF THE PIPE. REFER TO THE DETAIL BELOW FOR THE HOLE SPACING ALONG THE CIRCUMFERENCE OF THE PIPE.



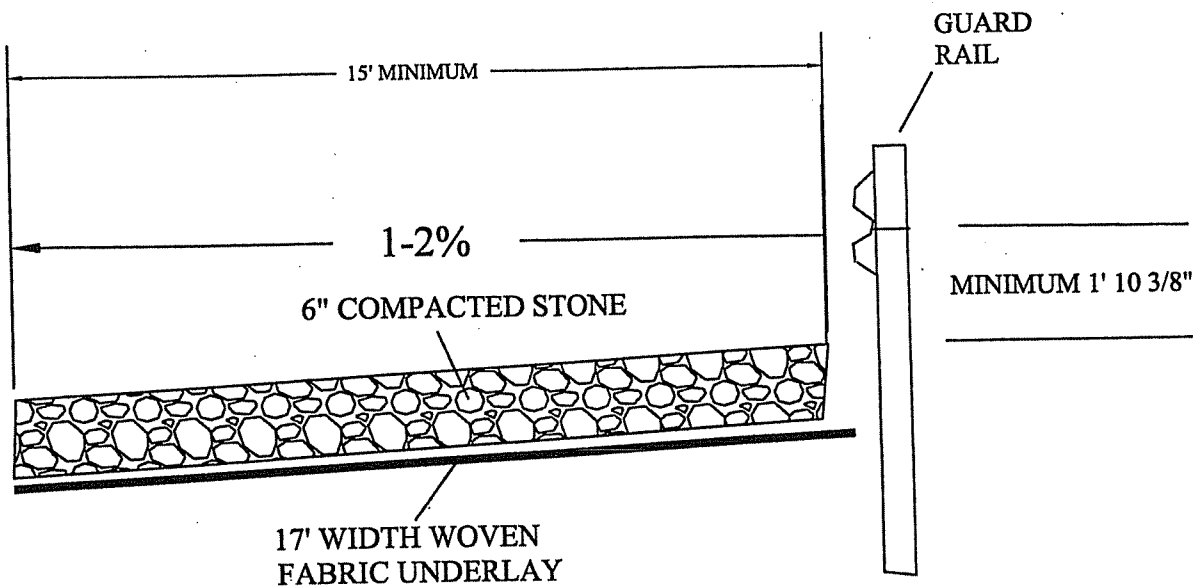
**PIPE PERFORATIONS DETAIL**

**FOR 4" HDPE DR17 DRIVELINE STAND PIPE**

<b>OFFICE OF SPECIAL RECLAMATION SITE 2 4 INCH DECANT STAND PIPE PERFORATION DETAIL ATTACHMENT</b>	
SCALE: NOT TO SCALE	DRAWN BY:
DATE:	PROJECT NO:

BUYER CB-23	PAGE 12	REQ. OR PO NO DEP 13007
SPENDING UNIT WEST VIRGINIA DEPARTMENT OF ENVIRONMENTAL PROTECTION/OFFICE OF SPECIAL RECLAMATION		

COAL-X, INC  
 UO-396  
 SITE 2



**NOTE:** Road shall be constructed of crushed Limestone meeting size specification Ten Percent (10%) 3.5" to 3", Twenty-Five Percent (25%) 3" to 2" and the remaining Sixty-Five Percent (65%) well graded at 2" to .75" to a compacted minimum depth of Six Inches (6"). (As per WVDOH Size Number One #1 Specifications). Compaction shall be achieved by means of Vibratory Roller.

**NOTE:** Overall grade of road shall not exceed Eight Percent (8%). A truck turn around shall be provided, with the same construction requirements as the access road, near the Aqua-Fix Unit. The turn around shall be a minimum of Forty LF by Fifty LF (40' x 50') in addition to the required running surface width.

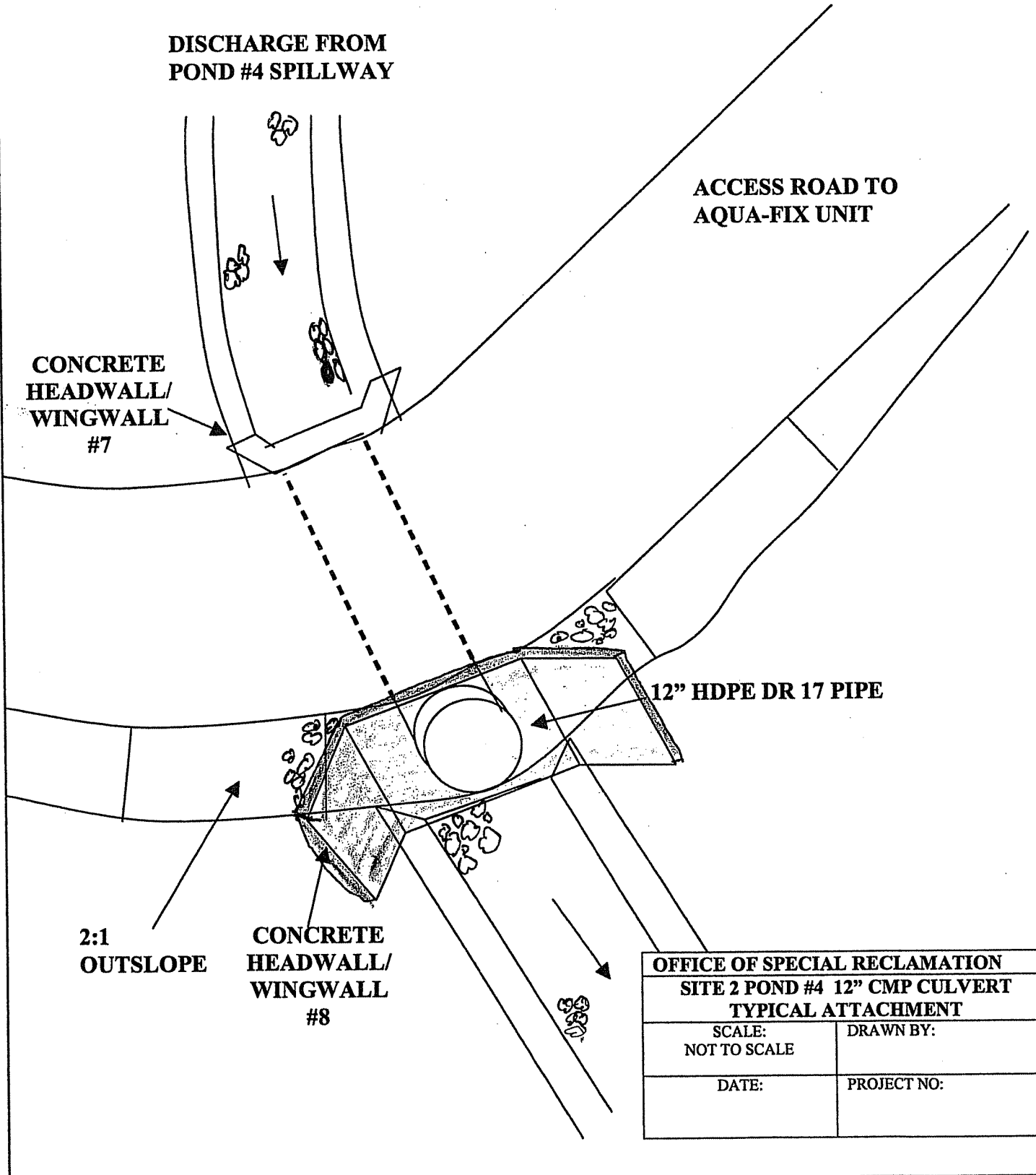
**NOTE:** The outside berm as shown on above typical shall be constructed along the entire length of Aqua-Fix Access Road, in any area where the required berm can not be constructed a guard rail may be installed in place of the berm. The guard rail shall be in accordance with the attached typical and shall be utilized upon approval of WVDEP personnel.

OFFICE OF SPECIAL RECLAMATION	
SITE 2 ACCESS ROAD TO AQUA FIX TYPICAL ATTACHMENT	
SCALE: NOT TO SCALE	DRAWN BY: MSM
DATE: 9/11/06	PROJECT NO: UO-396



BUYER CB-23	PAGE 114	REQ. OR PO NO DEP.13007
SPENDING UNIT WEST VIRGINIA DEPARTMENT OF ENVIRONMENTAL PROTECTION / OFFICE OF SPECIAL RECLAMATION		

**COAL-X Inc. UO-396  
 SITE 2**



<b>OFFICE OF SPECIAL RECLAMATION</b>	
<b>SITE 2 POND #4 12" CMP CULVERT</b>	
<b>TYPICAL ATTACHMENT</b>	
SCALE: NOT TO SCALE	DRAWN BY:
DATE:	PROJECT NO:

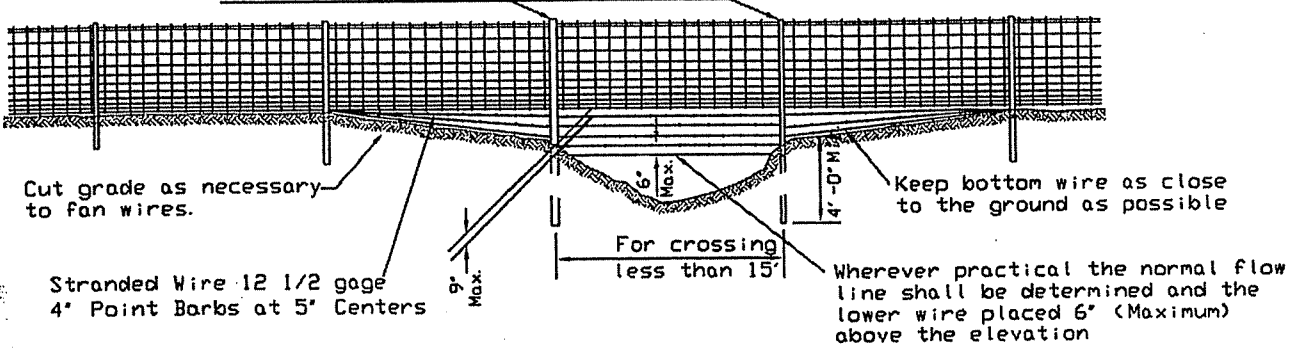




BUYER CB-23	PAGE 116	REQ. OR PONO DEP 13007
SPENDING UNIT WEST VIRGINIA DEPARTMENT OF ENVIRONMENTAL PROTECTION/OFFICE OF SPECIAL RECLAMATION		

COAL-X INC.  
 UO-396  
 SITE 2

Line Posts: 4' Min. Dia. up to and including heights 6.5' above ground line. 6' Min. Dia. 6.5' to 8' height above ground line. Height above ground line shall be 8' (Max.).



DETAIL SHOWING TYPICAL SECTION AT MINOR DEPRESSIONS AND WET WEATHER CROSSINGS

NOTES:

Posts and braces may be either round or square shaped. Dimensions shown on the Plans are for round posts and braces only. When square posts are used, line posts shall be 4' square (min.); braces 4' square (min.); corner, end, pull, gate, approach, and intermediate posts 6' square (min.).

The positioning of the fence fabric and barbed wire on the posts, as shown on the 'Typical Fence Section' detail, applies for level and gentle sloping terrain. For fence erected on slopes, the positioning may be adjusted to meet the slope conditions as long as the adjustment is continued from post to post in a uniform manner. Trenching on slopes may be warranted. On slopes, posts will continue to be erected vertically, unless otherwise directed, and the ends of the fencing fabric shall be cut on a skew as may be necessary for proper connection to the posts.

Dumped rock channel protection will be used at channel crossings when called for on the plans.

Install drainage structure terminal installations as called for on the plans and/or as shown on typical fence details.

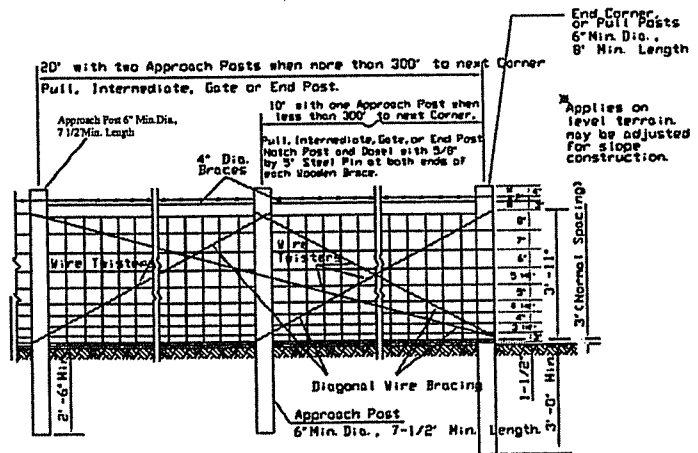
Unless otherwise specified, or directed by the Engineer, the farm field fence may be installed with the fence fabric and barbed wire positioned on either side of the fence posts.

Hardware and miscellaneous fittings, not specifically designated herein as to type or dimensions, shall conform to the applicable requirements of Section 608 of the Specifications and shall be of good quality commercial design acceptable to the Engineer.

In lieu of the barbed wire detailed herein, the following additional types are acceptable, provided they retain the "4-point barb at 5-inch centers" requirement and provided they meet or exceed the strength and coating requirements for the standard, 12-1/2 gage, barbed wire as called for in 712.10 of the Specifications:

- stranded, 15-1/2 gage, high carbon steel barbed wire.
- one-strand, 12 gage, steel barbed wire.

Pedestrian and vehicular gate frames (and vertical braces) may be either galvanized steel pipe members as shown herein or may be triple-coated steel pipe members meeting the requirements specified on Standard Sheet F2. All other metal components of the gate shall be galvanized, with the exception of die-cast aluminum corner fittings, or pressed steel corner fittings.

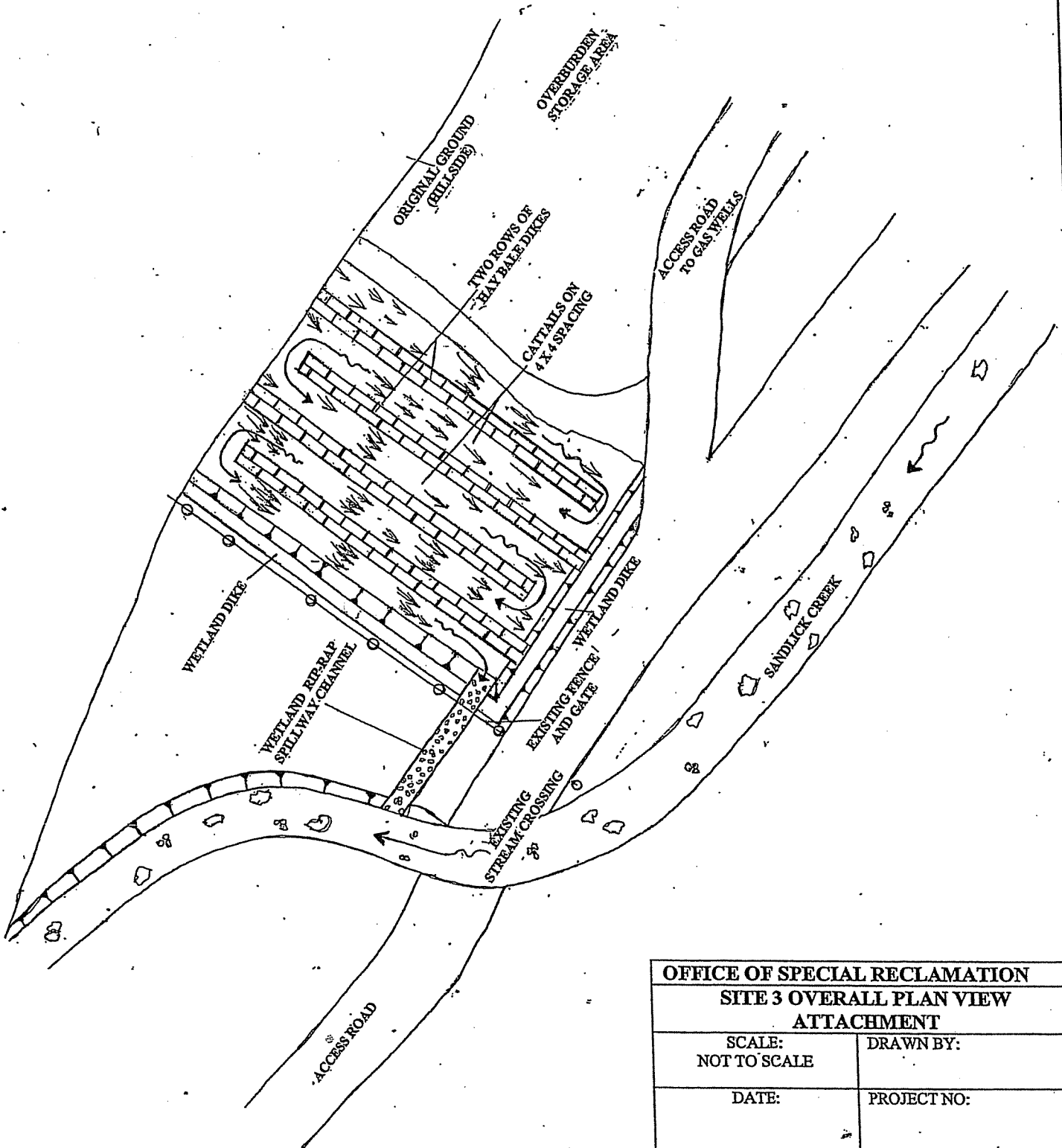


OFFICE OF SPECIAL RECLAMATION	
FENCE DETAILS ATTACHMENT	
SCALE: NOT TO SCALE	DRAWN BY: MSM
DATE: 12/20/2006	PROJECT NO: UO-396

WV-36a STATE OF WEST VIRGINIA  
 REV. 1/29/02 PURCHASING CONTINUATION SHEET  
 VENDOR:

BUYER CB-23	PAGE 117	REQ. OR PO NO DEP. 13007
SPENDING UNIT WEST VIRGINIA DEPARTMENT OF ENVIRONMENTAL PROTECTION / OFFICE OF SPECIAL RECLAMATION		

COAL-X Inc. UO-396  
 SITE 3



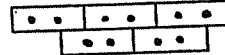
<b>OFFICE OF SPECIAL RECLAMATION</b>	
<b>SITE 3 OVERALL PLAN VIEW</b>	
<b>ATTACHMENT</b>	
SCALE: NOT TO SCALE	DRAWN BY:
DATE:	PROJECT NO:

WV-36a STATE OF WEST VIRGINIA  
 REV. 1/29/02 PURCHASING CONTINUATION SHEET  
 VENDOR:

BUYER CB-23	PAGE 118	REQ. OR PONO DEP-13007
SPENDING UNIT WEST VIRGINIA DEPARTMENT OF ENVIRONMENTAL PROTECTION / OFFICE OF SPECIAL RECLAMATION		

COAL-X Inc. UO-396  
 SITE 3

DOUBLE ROW OF  
 HAYBALES. ALL  
 HAYBALES STAKED  
 W/ 2 STAKES PER BALE



CATTAILS THROUGHOUT ON  
 4' X 4' SPACING

6-10" WATER  
 DEPTH

OFFICE OF SPECIAL RECLAMATION

SITE 3 WETLAND PROFILE

TYPICAL

SCALE:  
 NOT TO SCALE

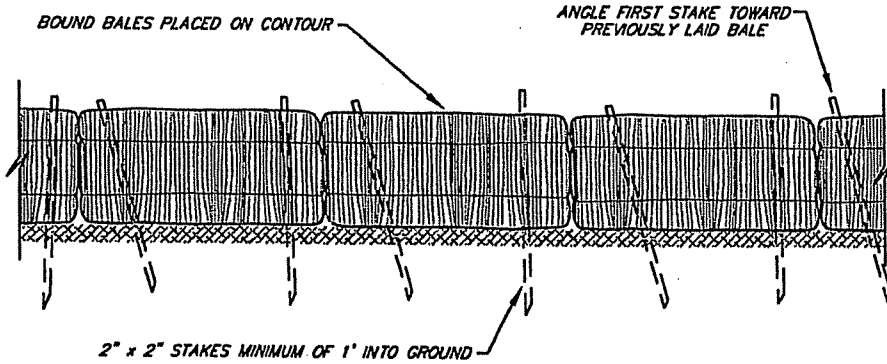
DRAWN BY:

DATE:

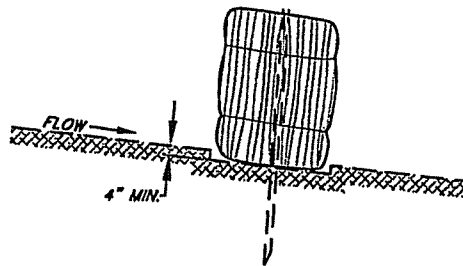
PROJECT NO:

BUYER CB-23	PAGE 119	REQ. OR PO NO DEP 13007
SPENDING UNIT WEST VIRGINIA DEPARTMENT OF ENVIRONMENTAL PROTECTION/OFFICE OF SPECIAL RECLAMATION		

COAL-X INC.  
 UO-396



ANCHORING DETAIL



SEDIMENT CONTROL DETAIL

N.T.S.

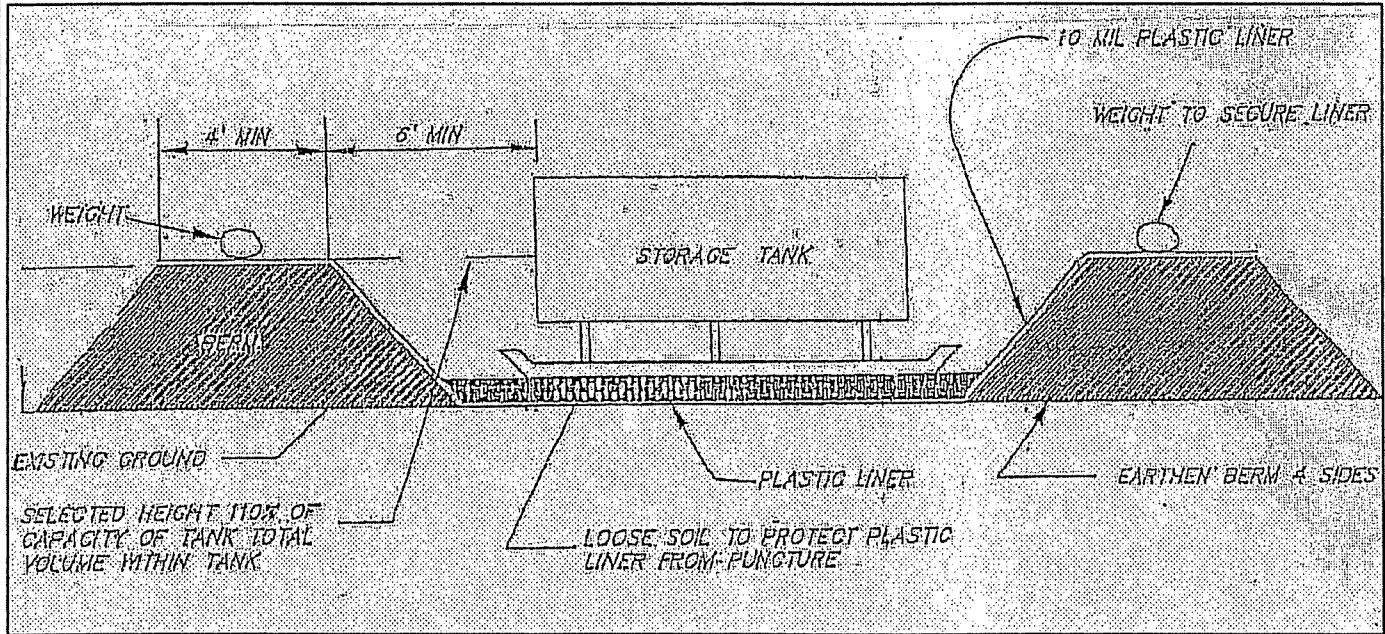
plot @ 1"=40'

END VIEW

OFFICE OF SPECIAL RECLAMATION	
HAYBALE DIKE TYPICAL ATTACHMENT	
SCALE: NOT TO SCALE	DRAWN BY: MSM
DATE: 12/27/2006	PROJECT NO: UO-396

BUYER CB-23	PAGE <b>120</b>	REQ. OR PO NO 13007
SPENDING UNIT WEST VIRGINIA DEPARTMENT OF ENVIRONMENTAL PROTECTION/OFFICE OF SPECIAL RECLAMATION		

COAL-X INC.  
 UO-396



NOTE: A 2" water removal drain shall be located at the lowest point in the bottom of the containment volume. It shall connect to a normally closed gate-valve outside the dike. The gate valve is manually operated and protected from unauthorized operation. Rainwater contained within this dike shall be examined prior to release to ensure that harmful quantities of fuels and lubricants are not discharged.

Alternate methods of water removal will be considered by WVDEP personnel for approval.

OFFICE OF SPECIAL RECLAMATION	
SPILL CONTAINMENT TYPICAL ATTACHMENT	
SCALE: NOT TO SCALE	DRAWN BY: MSM
DATE: 7/10/2006	PROJECT NO: UO-396

**BID BOND**

121

KNOW ALL MEN BY THESE PRESENTS, That we, the undersigned, \_\_\_\_\_  
of \_\_\_\_\_, \_\_\_\_\_, as Principal, and \_\_\_\_\_  
of \_\_\_\_\_, \_\_\_\_\_, a corporation organized and existing under the laws of the State of \_\_\_\_\_  
with its principal office in the City of \_\_\_\_\_, as Surety, are held and firmly bound unto the State  
of West Virginia, as Obligee, in the penal sum of \_\_\_\_\_ (\$ \_\_\_\_\_) for the payment of which,  
well and truly to be made, we jointly and severally bind ourselves, our heirs, administrators, executors, successors and assigns.

The Condition of the above obligation is such that whereas the Principal has submitted to the Purchasing Section of the  
Department of Administration a certain bid or proposal, attached hereto and made a part hereof, to enter into a contract in writing for  
\_\_\_\_\_  
\_\_\_\_\_  
\_\_\_\_\_

**NOW THEREFORE,**

- (a) If said bid shall be rejected, or
- (b) If said bid shall be accepted and the Principal shall enter into a contract in accordance with the bid or proposal attached  
hereto and shall furnish any other bonds and insurance required by the bid or proposal, and shall in all other respects perform the  
agreement created by the acceptance of said bid, then this obligation shall be null and void, otherwise this obligation shall remain in full  
force and effect. It is expressly understood and agreed that the liability of the Surety for any and all claims hereunder shall, in no event,  
exceed the penal amount of this obligation as herein stated.

The Surety, for the value received, hereby stipulates and agrees that the obligations of said Surety and its bond shall be in no  
way impaired or affected by any extension of the time within which the Obligee may accept such bid, and said Surety does hereby  
waive notice of any such extension.

IN WITNESS WHEREOF, Principal and Surety have hereunto set their hands and seals, and such of them as are corporations  
have caused their corporate seals to be affixed hereunto and these presents to be signed by their proper officers, this  
\_\_\_\_\_ day of \_\_\_\_\_, 20\_\_\_\_\_.

Principal Corporate Seal

\_\_\_\_\_  
(Name of Principal)

By \_\_\_\_\_

(Must be President or  
Vice President)

\_\_\_\_\_  
(Title)

Surety Corporate Seal

\_\_\_\_\_  
(Name of Surety)

\_\_\_\_\_  
Attorney-in-Fact

**IMPORTANT – Surety executing bonds must be licensed in West Virginia to transact surety insurance. Raised corporate seals  
must be affixed, a power of attorney must be attached.**

BID BOND PREPARATION INSTRUCTIONS

AGENCY (A)
RFQ/RFP# (B)

Bid Bond

- (A) WV State Agency (Stated on Page 1 "Spending Unit") Request for Quotation Number (upper right corner of page #1)
(C) Your Company Name
(D) City, Location of your Company
(E) State, Location of your Company
(F) Surety Corporate Name
(G) City, Location of Surety
(H) State, Location of Surety
(I) State of Surety Incorporation
(J) City of Surety Incorporation
(K) Minimum amount of acceptable bid bond is 5% of total bid. You may state "5% of bid" or a specific amount on this line in words.
(L) Amount of bond in figures
(M) Brief Description of scope of work
(N) Day of the month
(O) Month
(P) Year
(Q) Name of Corporation
(R) Raised Corporate Seal of Principal
(S) Signature of President or Vice President
(T) Title of person signing
(U) Raised Corporate Seal of Surety
(V) Corporate Name of Surety
(W) Signature of Attorney in Fact of the Surety

KNOW ALL MEN BY THESE PRESENTS, That we, the undersigned, (C) of (D), (E), as Principal, and (F) of (G), (H), a corporation organized and existing under the laws of the State of (I) with its principal office in the City of (J), as Surety, are held and firmly bound unto The State of West Virginia, as Obligee, in the penal sum of (K) (\$ (L)) for the payment of which, well and truly to be made, we jointly and severally bind ourselves, our heirs, administrators, executors, successors and assigns.

The Condition of the above obligation is such that whereas the Principal has submitted to the Purchasing Section of the Department of Administration a certain bid or proposal, attached hereto and made a part hereof to enter into a contract in writing for (M)

NOW THEREFORE.

(a) If said bid shall be rejected, or
(b) If said bid shall be accepted and the Principal shall enter into a contract in accordance with the bid or proposal attached hereto and shall furnish any other bonds and insurance required by the bid or proposal, and shall in all other respects perform the agreement created by the acceptance of said bid then this obligation shall be null and void, otherwise this obligation shall remain in full force and effect. It is expressly understood and agreed that the liability of the Surety for any and all claims hereunder shall, in no event, exceed the penal amount of this obligation as herein stated

The Surety for value received, hereby stipulates and agrees that the obligations of said Surety and its bond shall be in no way impaired or affected by any extension of time within which the Obligee may accept such bid: and said Surety does hereby waive notice of any such extension.

IN WITNESS WHEREOF, Principal and Surety have hereunto set their hands and seals, and such of them as are corporations have caused their corporate seals to be affixed hereto and these presents to be signed by their proper officers, this (N) day of (O), 20 (P).

Principal Corporate Seal (R) (Q) (Name of Principal)
By (S) (Must be President or Vice President)
(T) Title
(U) Surety Corporate Seal (V) (Name of Surety)
(W) Attorney-in-Fact

NOTE: Dated, Power of Attorney with Raised Surety Seal must accompany this bid bond.

IMPORTANT - Surety executing bonds must be licensed in West Virginia to transact surety insurance. Raised Corporate Seals must be affixed and a Power of Attorney must be attached.

STATE OF WEST VIRGINIA  
Purchasing Division

123

**PURCHASING AFFIDAVIT**

**West Virginia Code §5A-3-10a states:** No contract or renewal of any contract may be awarded by the state or any of its political subdivisions to any vendor or prospective vendor when the vendor or prospective vendor or a related party to the vendor or prospective vendor is a debtor and the debt owed is an amount greater than one thousand dollars in the aggregate

**DEFINITIONS:**

"Debt" means any assessment, premium, penalty, fine, tax or other amount of money owed to the state or any of its political subdivisions because of a judgment, fine, permit violation, license assessment, defaulted workers' compensation premium, penalty or other assessment presently delinquent or due and required to be paid to the state or any of its political subdivisions, including any interest or additional penalties accrued thereon.

"Debtor" means any individual, corporation, partnership, association, limited liability company or any other form or business association owing a debt to the state or any of its political subdivisions. "Political subdivision" means any county commission; municipality; county board of education; any instrumentality established by a county or municipality; any separate corporation or instrumentality established by one or more counties or municipalities, as permitted by law; or any public body charged by law with the performance of a government function or whose jurisdiction is coextensive with one or more counties or municipalities. "Related party" means a party, whether an individual, corporation, partnership, association, limited liability company or any other form or business association or other entity whatsoever, related to any vendor by blood, marriage, ownership or contract through which the party has a relationship of ownership or other interest with the vendor so that the party will actually or by effect receive or control a portion of the benefit, profit or other consideration from performance of a vendor contract with the party receiving an amount that meets or exceeds five percent of the total contract amount.

**EXCEPTION:** The prohibition of this section does not apply where a vendor has contested any tax administered pursuant to chapter eleven of this code, workers' compensation premium, permit fee or environmental fee or assessment and the matter has not become final or where the vendor has entered into a payment plan or agreement and the vendor is not in default of any of the provisions of such plan or agreement.

**LICENSING:** Vendors must be licensed and in good standing in accordance with any and all state and local laws and requirements by any state or local agency of West Virginia, including, but not limited to, the West Virginia Secretary of State's Office, the West Virginia Tax Department, West Virginia Insurance Commission, or any other state agencies or political subdivision. Furthermore, the vendor must provide all necessary releases to obtain information to enable the Director or spending unit to verify that the vendor is licensed and in good standing with the above entities.

**CONFIDENTIALITY:** The vendor agrees that he or she will not disclose to anyone, directly or indirectly, any such personally identifiable information or other confidential information gained from the agency, unless the individual who is the subject of the information consents to the disclosure in writing or the disclosure is made pursuant to the agency's policies, procedures and rules. Vendors should visit [www.state.wv.us/admin/purchase/privacy](http://www.state.wv.us/admin/purchase/privacy) for the Notice of Agency Confidentiality Policies.

Under penalty of law for false swearing (West Virginia Code, §61-5-3), it is hereby certified that the vendor acknowledges the information in this said affidavit and are in compliance with the requirements as stated.

Vendor's Name: \_\_\_\_\_

Authorized Signature: \_\_\_\_\_ Date: \_\_\_\_\_