



State of West Virginia  
 Department of Administration  
 Purchasing Division  
 2019 Washington Street East  
 Post Office Box 50130  
 Charleston, WV 25305-0130

# Request for Quotation

RFQ NUMBER  
**COR61349**

PAGE  
**1**

ADDRESS CORRESPONDENCE TO ATTENTION OF  
**JOHN ABBOTT  
 304-558-2544**

RFQ COPY  
 TYPE NAME/ADDRESS HERE

VENDOR

SHIP TO

DIVISION OF CORRECTIONS  
 MARTINSBURG CORRECTIONAL  
 CENTER  
 1406 CHARLES TOWN ROAD  
 MARTINSBURG, WV  
 25401 304-558-8045

DATE PRINTED	TERMS OF SALE	SHIP VIA	F.O.B	FREIGHT TERMS
05/03/2007				

BID OPENING DATE: **05/31/2007** BID OPENING TIME **01:30PM**

LINE	QUANTITY	UOP	CAT NO	ITEM NUMBER	UNIT PRICE	AMOUNT
0001	1	LS		988-15		
<p style="text-align: center;"><b>REQUEST FOR QUOTATION</b></p> <p>THE PURCHASING DIVISION IS SOLICITING BIDS FOR THE DIVISION OF CORRECTIONS, MARTINSBURG CORRECTIONAL CENTER, TO PROVIDE ALL LABOR, MATERIALS, AND EQUIPMENT NECESSARY TO INSTALL SECURITY FENCING.</p> <p>MANDATORY ON-SITE PRE-BID: 5/22/2007; 10:30 AM            MARTINSBURG CORRECTIONAL CENTER            38 GRAPEVINE ROAD            MARTINSBURG, WV 25401</p> <p>CONTACT SCOTT PAUGH AT 304-267-0156 TO REGISTER FOR THE PRE-BID MEETING.</p> <p>ATTACHMENTS: 1. SPECIFICATIONS            2. AFFIDAVIT            3. BOND FORMS FOR BIDDER'S USE WHEN APPLICABLE</p> <p>SECURITY FENCE INSTALLATION</p> <p>EXHIBIT 5</p> <p>NOTICE TO PROCEED: THIS CONTRACT IS TO BE PERFORMED WITHIN XXXX CALENDAR DAYS AFTER THE NOTICE TO PROCEED IS RECEIVED. UNLESS OTHERWISE SPECIFIED, THE FULLY EXECUTED PURCHASE ORDER WILL BE CONSIDERED NOTICE TO</p>						

SEE REVERSE SIDE FOR TERMS AND CONDITIONS

SIGNATURE	TELEPHONE	DATE
TITLE	FEIN	ADDRESS CHANGES TO BE NOTED ABOVE

WHEN RESPONDING TO RFQ, INSERT NAME AND ADDRESS IN SPACE ABOVE LABELED 'VENDOR'

**GENERAL TERMS & CONDITIONS  
REQUEST FOR QUOTATION (RFQ) AND REQUEST FOR PROPOSAL (RFP)**

1. Awards will be made in the best interest of the State of West Virginia.
2. The State may accept or reject in part, or in whole, any bid.
3. All quotations are governed by the *West Virginia Code* and the *Legislative Rules* of the Purchasing Division.
4. Prior to any award, the apparent successful vendor must be properly registered with the Purchasing Division and have paid the required \$125.00 registration fee.
5. All services performed or goods delivered under State Purchase Orders/Contracts are to be continued for the term of the Purchase Order/Contract, contingent upon funds being appropriated by the Legislature or otherwise being made available. In the event funds are not appropriated or otherwise available for these services or goods, this Purchase Order/Contract becomes void and of no effect after June 30.
6. Payment may only be made after the delivery and acceptance of goods or services.
7. Interest may be paid for late payment in accordance with the *West Virginia Code*.
8. Vendor preference will be granted upon written request in accordance with the *West Virginia Code*.
9. The State of West Virginia is exempt from federal and state taxes and will not pay or reimburse such taxes.
10. The Director of Purchasing may cancel any Purchase Order/Contract upon 30 days written notice to the seller.
11. The laws of the State of West Virginia and the *Legislative Rules* of the Purchasing Division shall govern all rights and duties under the Contract, including without limitation the validity of this Purchase Order/Contract.
12. Any reference to automatic renewal is hereby deleted. The Contract may be renewed only upon mutual written agreement of the parties.
13. **BANKRUPTCY:** In the event the vendor/contractor files for bankruptcy protection, this contract is automatically null and void, and is terminated without further order.
14. **HIPAA Business Associate Addendum** - The West Virginia State Government HIPAA Business Associate Addendum (BAA), approved by the Attorney General, and available online at the Purchasing Division's web site (<http://www.state.wv.us/admin/purchase/vrc/hipaa.htm>) is hereby made part of the agreement. Provided that, the Agency meets the definition of a Covered Entity (45 CFR §160.103) and will be disclosing Protected Health Information (45 CFR §160.103) to the vendor.

---

**INSTRUCTIONS TO BIDDERS**

1. Use the quotation forms provided by the Purchasing Division.
2. **SPECIFICATIONS:** Items offered must be in compliance with the specifications. Any deviation from the specifications must be clearly indicated by the bidder. Alternates offered by the bidder as **EQUAL** to the specifications must be clearly defined. A bidder offering an alternate should attach complete specifications and literature to the bid. The Purchasing Division may waive minor deviations to specifications.
3. Complete all sections of the quotation form.
4. Unit prices shall prevail in cases of discrepancy.
5. All quotations are considered F.O.B. destination unless alternate shipping terms are clearly identified in the quotation.
6. **BID SUBMISSION:** All quotations must be delivered by the bidder to the office listed below prior to the date and time of the bid opening. Failure of the bidder to deliver the quotations on time will result in bid disqualifications.

**SIGNED BID TO:**

Department of Administration  
Purchasing Division  
2019 Washington Street East  
Post Office Box 50130  
Charleston, WV 25305-0130



State of West Virginia  
 Department of Administration  
 Purchasing Division  
 2019 Washington Street East  
 Post Office Box 50130  
 Charleston, WV 25305-0130

# Request for Quotation

RFQ NUMBER  
**COR61349**

PAGE  
**2**

ADDRESS CORRESPONDENCE TO ATTENTION OF:  
**JOHN ABBOTT**  
**304-558-2544**

RFQ COPY  
 TYPE NAME/ADDRESS HERE

VENDOR

SHIP TO

DIVISION OF CORRECTIONS  
 MARTINSBURG CORRECTIONAL  
 CENTER  
 1406 CHARLES TOWN ROAD  
 MARTINSBURG, WV  
 25401 304-558-8045

DATE PRINTED	TERMS OF SALE	SHIP VIA	F.O.B.	FREIGHT TERMS
05/03/2007				

BID OPENING DATE: **05/31/2007** BID OPENING TIME **01:30PM**

LINE	QUANTITY	UOP	CAT. NO.	ITEM NUMBER	UNIT PRICE	AMOUNT
<p>PROCEED.</p> <p>CANCELLATION: THE DIRECTOR OF PURCHASING RESERVES THE RIGHT TO CANCEL THIS CONTRACT IMMEDIATELY UPON WRITTEN NOTICE TO THE VENDOR IF THE MATERIALS OR WORKMANSHIP SUPPLIED ARE OF AN INFERIOR QUALITY OR DO NOT CONFORM WITH THE SPECIFICATIONS OF THE BID AND CONTRACT HERE IN.</p> <p>WAGE RATES: THE CONTRACTOR OR SUBCONTRACTOR SHALL PAY THE HIGHER OF THE U.S. DEPARTMENT OF LABOR MINIMUM WAGE RATES AS ESTABLISHED FOR BERKELEY COUNTY, PURSUANT TO WEST VIRGINIA CODE 21-5A, ET, SEQ. (PREVAILING WAGE RATES APPLY TO THIS PROJECT)</p> <p>ARBITRATION: ANY REFERENCES MADE TO ARBITRATION OR INTEREST FOR PAYMENTS DUE (EXCEPT FOR ANY INTEREST REQUIRED BY STATE LAW) CONTAINED IN THIS CONTRACT OR IN ANY AMERICAN INSTITUTE OF ARCHITECTS DOCUMENTS PERTAINING TO THIS CONTRACT ARE HEREBY DELETED.</p> <p>WORKERS' COMPENSATION: VENDOR IS REQUIRED TO PROVIDE A CERTIFICATE FROM WORKERS' COMPENSATION IF SUCCESSFUL.</p> <p>ALL OF THE ITEMS CHECKED BELOW WILL BE A REQUIREMENT OF THIS CONTRACT:</p> <p>(XX) INSURANCE: SUCCESSFUL VENDOR SHALL FURNISH PROOF OF COMMERCIAL GENERAL LIABILITY INSURANCE PRIOR TO ISSUANCE OF CONTRACT. UNLESS OTHERWISE SPECIFIED IN THE BID DOCUMENTS, THE MINIMUM AMOUNT OF INSURANCE COVERAGE REQUIRED IS \$250,000.</p> <p>( ) BUILDERS RISK INSURANCE: SUCCESSFUL VENDOR SHALL FURNISH PROOF OF BUILDERS RISK - ALL RISK INSURANCE IN AN AMOUNT EQUAL TO 100% OF THE AMOUNT OF THE CONTRACT.</p>						

SEE REVERSE SIDE FOR TERMS AND CONDITIONS

SIGNATURE	TELEPHONE	DATE
TITLE	FEIN	ADDRESS CHANGES TO BE NOTED ABOVE

WHEN RESPONDING TO RFQ, INSERT NAME AND ADDRESS IN SPACE ABOVE LABELED 'VENDOR'



State of West Virginia  
 Department of Administration  
 Purchasing Division  
 2019 Washington Street East  
 Post Office Box 50130  
 Charleston, WV 25305-0130

# Request for Quotation

RFQ NUMBER  
**COR61349**

PAGE  
**3**

ADDRESS CORRESPONDENCE TO ATTENTION OF  
**JOHN ABBOTT**  
**304-558-2544**

RFQ COPY  
 TYPE NAME/ADDRESS HERE

VENDOR

SHIP TO

DIVISION OF CORRECTIONS  
 MARTINSBURG CORRECTIONAL  
 CENTER  
 1406 CHARLES TOWN ROAD  
 MARTINSBURG, WV  
 25401 304-558-8045

DATE PRINTED	TERMS OF SALE	SHIP VIA	F.O.B	FREIGHT TERMS
05/03/2007				

BID OPENING DATE: **05/31/2007** BID OPENING TIME **01:30PM**

LINE	QUANTITY	UOP	CAT NO	ITEM NUMBER	UNIT PRICE	AMOUNT
	<p>(XX) BONDS: FIVE PERCENT (5%) OF THE TOTAL AMOUNT OF THE BID PAYABLE TO THE STATE OF WEST VIRGINIA, SHALL BE SUBMITTED WITH EACH BID AS A BID BOND. THE SUCCESSFUL BIDDER SHALL ALSO FURNISH A PERFORMANCE BOND AND LABOR/MATERIAL BOND FOR 100% OF THE AMOUNT OF THE CONTRACT. BONDS MAY BE PROVIDED IN THE FORM OF A CERTIFIED CHECK, IRREVOCABLE LETTER OF CREDIT, OR BOND FURNISHED BY A SOLVENT SURETY COMPANY AUTHORIZED TO DO BUSINESS IN THE STATE OF WEST VIRGINIA. A LETTER OF CREDIT SUBMITTED IN LIEU OF A PERFORMANCE AND LABOR &amp; MATERIAL BOND WILL ONLY BE ALLOWED FOR PROJECTS UNDER \$100,000. PERSONAL OR BUSINESS CHECKS ARE NOT ACCEPCTABLE IN LIEU OF THE 5% BID BOND, PERFORMANCE BOND, OR LABOR AND MATERIAL BOND.</p> <p>( ) MAINTENANCE BOND: A TWO (2) YEAR MAINTENANCE BOND COVERING THE ROOFING SYSTEM WILL BE A REQUIREMENT OF THE SUCCESSFUL VENDOR.</p> <p>REV. 11/00</p> <p>EXHIBIT 7</p> <p>DOMESTIC ALUMINUM, GLASS &amp; STEEL IN PUBLIC WORKS PROJECTS</p> <p>IN ACCORDANCE WITH WEST VIRGINIA CODE 5-19-1 ET., SEQ., EVERY CONTRACT FOR CONSTRUCTION, RECONSTRUCTION, ALTERATION, REPAIR, IMPROVEMENT OR MAINTENANCE OF PUBLIC WORKS, WHERE THE COST IS MORE THAN \$50,000 AND, IN THE CASE OF STEEL ONLY, WHERE THE COST OF STEEL IS MORE THAN \$50,000 OR WHERE MORE THAN 10,000 POUNDS OF STEEL ARE REQUIRED, THE STATE WILL ACCEPT ONLY ALUMINUM GLASS, OR STEEL PRODUCTS PRODUCED IN THE UNITED STATES</p>					

SEE REVERSE SIDE FOR TERMS AND CONDITIONS

SIGNATURE	TELEPHONE	DATE
TITLE	FEIN	ADDRESS CHANGES TO BE NOTED ABOVE

WHEN RESPONDING TO RFQ, INSERT NAME AND ADDRESS IN SPACE ABOVE LABELED 'VENDOR'



State of West Virginia  
 Department of Administration  
 Purchasing Division  
 2019 Washington Street East  
 Post Office Box 50130  
 Charleston, WV 25305-0130

# Request for Quotation

RFQ NUMBER  
**COR61349**

PAGE  
**4**

ADDRESS CORRESPONDENCE TO ATTENTION OF  
**JOHN ABBOTT**  
**304-558-2544**

RFQ COPY  
 TYPE NAME/ADDRESS HERE

VENDOR

SHIP TO

DIVISION OF CORRECTIONS  
 MARTINSBURG CORRECTIONAL  
 CENTER  
 1406 CHARLES TOWN ROAD  
 MARTINSBURG, WV  
 25401 304-558-8045

DATE PRINTED <b>05/03/2007</b>	TERMS OF SALE	SHIP VIA	F.O.B.	FREIGHT TERMS
BID OPENING DATE: <b>05/31/2007</b>		BID OPENING TIME <b>01:30PM</b>		

LINE	QUANTITY	UOP	CAT NO	ITEM NUMBER	UNIT PRICE	AMOUNT
<p>IN ADDITION, ITEMS OF MACHINERY OR EQUIPMENT PURCHASED FOR USE AT THE SITE OF PUBLIC WORKS SHALL BE MADE OF DOMESTIC ALUMINUM, GLASS OR STEEL, UNLESS THE COST OF THE PRODUCT IS LESS THAN \$50,000 OR LESS THAN 10,000 POUNDS OF STEEL ARE USED IN PUBLIC WORKS PROJECTS.</p> <p>FOREIGN MADE ALUMINUM, GLASS OR STEEL PRODUCTS MAY BE ACCEPTED ONLY IF THE COST OF DOMESTIC PRODUCTS IS FOUND TO BE UNREASONABLE. SUCH COST IS UNREASONABLE IF IT IS 20% OR MORE HIGHER THAN THE BID PRICE FOR FOREIGN MADE PRODUCTS. IF THE DOMESTIC ALUMINUM, GLASS OR STEEL PRODUCTS TO BE SUPPLIED OR PRODUCED IN A "SUBSTANTIAL LABOR SURPLUS AREA", AS DEFINED BY THE UNITED STATES DEPARTMENT OF LABOR, FOREIGN PRODUCTS MAY BE SUPPLIED ONLY IF DOMESTIC PRODUCTS ARE 30% OR MORE HIGHER IN PRICE THAN THE FOREIGN MADE PRODUCTS.</p> <p>IF, PRIOR TO THE AWARD OF A CONTRACT UNDER THE ABOVE PROVISIONS, THE SPENDING OFFICER OF THE SPENDING UNIT DETERMINES THAT THERE EXISTS A BID FOR LIKE FOREIGN ALUMINUM, GLASS OR STEEL THAT IS REASONABLE AND LOWER THAN THE LOWEST BID DOMESTIC PRODUCTS, THE SPENDING OFFICE MAY REQUEST, IN WRITING, A REEVALUATION AND REDUCTION IN THE LOWEST BID FOR SUCH DOMESTIC PRODUCTS ALL VENDORS MUST INDICATE IN THEIR BID IF THEY ARE SUPPLYING FOREIGN ALUMINUM, GLASS OR STEEL.</p> <p>REV. 3/88</p> <p>EXHIBIT 9</p> <p>NOTICE FOR ISSUANCE &amp; ACKNOWLEDGEMENT OF CONSTRUCTION PROJECT ADDENDA</p> <p>THE ARCHITECT/ENGINEER AND/OR AGENCY SHALL BE REQUIRED</p>						

SEE REVERSE SIDE FOR TERMS AND CONDITIONS

SIGNATURE	TELEPHONE	DATE
TITLE	FEIN	ADDRESS CHANGES TO BE NOTED ABOVE

WHEN RESPONDING TO RFQ, INSERT NAME AND ADDRESS IN SPACE ABOVE LABELED 'VENDOR'



State of West Virginia  
 Department of Administration  
 Purchasing Division  
 2019 Washington Street East  
 Post Office Box 50130  
 Charleston, WV 25305-0130

# Request for Quotation

RFQ NUMBER  
**COR61349**

PAGE  
**5**

ADDRESS CORRESPONDENCE TO ATTENTION OF  
**JOHN ABBOTT  
 304-558-2544**

RFQ COPY  
 TYPE NAME/ADDRESS HERE

VENDOR

SHIP TO

**DIVISION OF CORRECTIONS  
 MARTINSBURG CORRECTIONAL  
 CENTER  
 1406 CHARLES TOWN ROAD  
 MARTINSBURG, WV  
 25401 304-558-8045**

DATE PRINTED	TERMS OF SALE	SHIP VIA	F.O.B.	FREIGHT TERMS
05/03/2007				

BID OPENING DATE: **05/31/2007** BID OPENING TIME **01:30PM**

LINE	QUANTITY	UOP	CAT. NO.	ITEM NUMBER	UNIT PRICE	AMOUNT
<p>TO ABIDE BY THE FOLLOWING SCHEDULE IN ISSUING CONSTRUCTION PROJECT ADDENDA FOR STATE AGENCIES:</p> <p>(1) THE ARCHITECT/ENGINEER SHALL PREPARE THE ADDENDUM AND A LIST OF ALL PARTIES THAT HAVE PROCURED DRAWINGS AND SPECIFICATIONS FOR THE PROJECT. THE ADDENDUM AND LIST SHALL BE FORWARDED TO THE BUYER IN THE STATE PURCHASING DIVISION. THE ARCHITECT/ENGINEER SHALL ALSO SEND A COPY OF THE ADDENDUM TO THE STATE AGENCY FOR WHICH THE CONTRACT IS ISSUED.</p> <p>(2) THE BUYER SHALL SEND THE ADDENDUM TO ALL INTERESTED PARTIES AND, IF NECESSARY, EXTEND THE BID OPENING DATE. ANY ADDENDUM SHOULD BE RECEIVED BY THE BUYER WITHIN FOURTEEN (14) DAYS PRIOR TO THE BID OPENING DATE.</p> <p>(3) ALL ADDENDA SHOULD BE FORMALLY ACKNOWLEDGED BY ALL BIDDERS AND SUBMITTED TO THE STATE PURCHASING DIVISION. THE SAME RULES AND REGULATIONS THAT APPLY TO THE ORIGINAL BIDDING DOCUMENT SHALL ALSO APPLY TO AN ADDENDUM DOCUMENT. THE ONLY EXCEPTION MAY BE FOR AN ADDENDUM THAT IS ISSUED FOR THE SOLE PURPOSE OF CHANGING A BID OPENING TIME AND/OR DATE.</p> <p>REV. 11/96</p> <p>EXHIBIT 10</p> <p>ADDENDUM ACKNOWLEDGEMENT</p> <p>I HEREBY ACKNOWLEDGE RECEIPT OF THE FOLLOWING CHECKED ADDENDUM(S) AND HAVE MADE THE NECESSARY REVISIONS TO MY PROPOSAL, PLANS AND/OR SPECIFICATION, ETC.</p>						

SEE REVERSE SIDE FOR TERMS AND CONDITIONS

SIGNATURE	TELEPHONE	DATE
TITLE	FEIN	ADDRESS CHANGES TO BE NOTED ABOVE

WHEN RESPONDING TO RFQ, INSERT NAME AND ADDRESS IN SPACE ABOVE LABELED 'VENDOR'



State of West Virginia  
 Department of Administration  
 Purchasing Division  
 2019 Washington Street East  
 Post Office Box 50130  
 Charleston, WV 25305-0130

# Request for Quotation

RFQ NUMBER  
**COR61349**

PAGE  
**6**

ADDRESS CORRESPONDENCE TO ATTENTION OF  
**JOHN ABBOTT**  
**304-558-2544**

RFQ COPY  
 TYPE NAME/ADDRESS HERE

VENDOR

SHIP TO

DIVISION OF CORRECTIONS  
 MARTINSBURG CORRECTIONAL  
 CENTER  
 1406 CHARLES TOWN ROAD  
 MARTINSBURG, WV  
 25401 304-558-8045

DATE PRINTED	TERMS OF SALE	SHIP VIA	F.O.B.	FREIGHT TERMS
05/03/2007				

BID OPENING DATE: **05/31/2007** BID OPENING TIME **01:30PM**

LINE	QUANTITY	UOP	CAT NO	ITEM NUMBER	UNIT PRICE	AMOUNT
ADDENDUM NOS.:						
NO. 1						
NO. 2						
NO. 3						
NO. 4						
NO. 5						
I UNDERSTAND THAT FAILURE TO CONFIRM THE RECEIPT OF THE ADDENDUM(S) MAY BE CAUSE FOR REJECTION OF THE BIDS.						
					SIGNATURE	
					COMPANY	
					DATE	
REV. 11/96						
CONTRACTORS LICENSE						
WEST VIRGINIA STATE CODE 21-11-2 REQUIRES THAT ALL PERSONS DESIRING TO PERFORM CONTRACTING WORK IN THIS STATE MUST BE LICENSED. THE WEST VIRGINIA CONTRACTORS LICENSING BOARD IS EMPOWERED TO ISSUE THE CONTRACTORS LICENSE. APPLICATIONS FOR A CONTRACTORS LICENSE MAY BE MADE BY CONTACTING THE WEST VIRGINIA DIVISION OF LABOR CAPITOL COMPLEX, BUILDING 3, ROOM 319, CHARLESTON, WV 25305. TELEPHONE: (304) 558-7890.						

SEE REVERSE SIDE FOR TERMS AND CONDITIONS

SIGNATURE	TELEPHONE	DATE
TITLE	FEIN	ADDRESS CHANGES TO BE NOTED ABOVE

WHEN RESPONDING TO RFQ, INSERT NAME AND ADDRESS IN SPACE ABOVE LABELED 'VENDOR'



State of West Virginia  
 Department of Administration  
 Purchasing Division  
 2019 Washington Street East  
 Post Office Box 50130  
 Charleston, WV 25305-0130

# Request for Quotation

RFQ NUMBER  
**COR61349**

PAGE  
**7**

ADDRESS CORRESPONDENCE TO ATTENTION OF  
**JOHN ABBOTT**  
**304-558-2544**

RFQ COPY  
 TYPE NAME/ADDRESS HERE

VENDOR

SHIP TO

DIVISION OF CORRECTIONS  
 MARTINSBURG CORRECTIONAL  
 CENTER  
 1406 CHARLES TOWN ROAD  
 MARTINSBURG, WV  
 25401 304-558-8045

DATE PRINTED <b>05/03/2007</b>	TERMS OF SALE	SHIP VIA	F.O.B.	FREIGHT TERMS
-----------------------------------	---------------	----------	--------	---------------

BID OPENING DATE: **05/31/2007** BID OPENING TIME **01:30PM**

LINE	QUANTITY	UOP	CAT NO	ITEM NUMBER	UNIT PRICE	AMOUNT
<p>WEST VIRGINIA STATE CODE 21-11-11 REQUIRES ANY PROSPECTIVE BIDDER TO INCLUDE THE CONTRACTORS LICENSE NUMBER ON THEIR BID.</p> <p>BIDDER TO COMPLETE:</p> <p>CONTRACTORS NAME: .....</p> <p>CONTRACTORS LICENSE NO.: .....</p> <p>THE SUCCESSFUL BIDDER WILL BE REQUIRED TO FURNISH A COPY OF THEIR CONTRACTORS LICENSE PRIOR TO ISSUANCE OF A PURCHASE ORDER/CONTRACT</p> <p style="text-align: center;">APPLICABLE LAW</p> <p>THE WEST VIRGINIA STATE CODE, PURCHASING DIVISION RULE AND REGULATIONS, AND THE INFORMATION PROVIDED IN THE "REQUEST FOR QUOTATION" ISSUED BY THE PURCHASING DIVISION IS THE SOLE AUTHORITY GOVERNING THIS PROCUREMENT.</p> <p>ANY INFORMATION PROVIDED IN SPECIFICATION MANUALS, OR ANY OTHER SOURCE, VERBAL OR WRITTEN, WHICH CONTRADICTS OR ALTERS THE INFORMATION PROVIDED FROM THE SOURCES AS DESCRIBED IN THE ABOVE PARAGRAPH IS VOID AND OF NO EFFECT.</p> <p>BANKRUPTCY: IN THE EVENT THE VENDOR/CONTRACTOR FILES FOR BANKRUPTCY PROTECTION, THIS CONTRACT IS AUTOMATICALLY NULL AND VOID, AND IS TERMINATED WITHOUT FURTHER ORDER.</p> <p>REV. 1/2005</p>						

SEE REVERSE SIDE FOR TERMS AND CONDITIONS

SIGNATURE	TELEPHONE	DATE
TITLE	FEIN	ADDRESS CHANGES TO BE NOTED ABOVE

WHEN RESPONDING TO RFQ, INSERT NAME AND ADDRESS IN SPACE ABOVE LABELED 'VENDOR'





State of West Virginia  
 Department of Administration  
 Purchasing Division  
 2019 Washington Street East  
 Post Office Box 50130  
 Charleston, WV 25305-0130

# Request for Quotation

RFQ NUMBER:  
**COR61349**

PAGE:  
**8**

ADDRESS CORRESPONDENCE TO ATTENTION OF:  
**JOHN ABBOTT  
 304-558-2544**

**RFQ COPY  
 TYPE NAME/ADDRESS HERE**

VENDOR

SHIP TO

**DIVISION OF CORRECTIONS  
 MARTINSBURG CORRECTIONAL  
 CENTER  
 1406 CHARLES TOWN ROAD  
 MARTINSBURG, WV  
 25401 304-558-8045**

DATE PRINTED	TERMS OF SALE	SHIP VIA	F.O.B.	FREIGHT TERMS
05/03/2007				

BID OPENING DATE: **05/31/2007** BID OPENING TIME **01:30PM**

LINE	QUANTITY	UOP	CAT NO	ITEM NUMBER	UNIT PRICE	AMOUNT
<p><b>NOTICE</b></p> <p><b>A SIGNED BID MUST BE SUBMITTED TO:</b></p> <p><b>DEPARTMENT OF ADMINISTRATION            PURCHASING DIVISION            BUILDING 15            2019 WASHINGTON STREET, EAST            CHARLESTON, WV 25305-0130</b></p> <p><b>THE BID SHOULD CONTAIN THIS INFORMATION ON THE FACE OF            THE ENVELOPE OR THE BID MAY NOT BE CONSIDERED:</b></p> <p><b>SEALED BID</b></p> <p><b>BUYER: JOHN ABBOTT-----</b></p> <p><b>REQ. NO.: COR61349-----</b></p> <p><b>BID OPENING DATE: 05/31/2007-----</b></p> <p><b>BID OPENING TIME: 1:30 PM-----</b></p> <p><b>PLEASE PROVIDE A FAX NUMBER IN CASE IT IS NECESSARY            TO CONTACT YOU REGARDING YOUR BID:</b></p> <p>-----</p> <p><b>PLEASE PRINT OR TYPE NAME OF PERSON TO CONTACT            CONCERNING THIS QUOTE:</b></p> <p>-----</p>						

SEE REVERSE SIDE FOR TERMS AND CONDITIONS

SIGNATURE	TELEPHONE	DATE
TITLE	FEIN	ADDRESS CHANGES TO BE NOTED ABOVE

WHEN RESPONDING TO RFQ, INSERT NAME AND ADDRESS IN SPACE ABOVE LABELED 'VENDOR'



State of West Virginia  
 Department of Administration  
 Purchasing Division  
 2019 Washington Street East  
 Post Office Box 50130  
 Charleston, WV 25305-0130

# Request for Quotation

RFQ NUMBER  
**COR61349**

PAGE  
**9**

ADDRESS CORRESPONDENCE TO ATTENTION OF  
**JOHN ABBOTT**  
**304-558-2544**

**RFQ COPY**  
**TYPE NAME/ADDRESS HERE**

VENDOR

SHIP TO

**DIVISION OF CORRECTIONS**  
**MARTINSBURG CORRECTIONAL**  
**CENTER**  
**1406 CHARLES TOWN ROAD**  
**MARTINSBURG, WV**  
**25401 304-558-8045**

DATE PRINTED	TERMS OF SALE	SHIP VIA	F.O.B.	FREIGHT TERMS
<b>05/03/2007</b>				

BID OPENING DATE: **05/31/2007** BID OPENING TIME **01:30PM**

LINE	QUANTITY	UOP	CAT NO	ITEM NUMBER	UNIT PRICE	AMOUNT
***** THIS IS THE END OF RFQ COR61349 ***** TOTAL:						

SEE REVERSE SIDE FOR TERMS AND CONDITIONS

SIGNATURE	TELEPHONE	DATE
TITLE	FEIN	ADDRESS CHANGES TO BE NOTED ABOVE

WHEN RESPONDING TO RFQ, INSERT NAME AND ADDRESS IN SPACE ABOVE LABELED 'VENDOR'

## PART 1 - GENERAL

## 1.1 DESCRIPTION

- A. Furnish all labor, materials, tools and equipment necessary to complete all security fencing installation as shown on the drawings, schedules, and as specified herein.
- B. Related Work Specified Elsewhere:
  - 1 - Earthwork
  - 2 - Cast-In-Place Concrete
  - 3 - Wire and conduit
  - 4 - Hydraulic Gate Operators

## 1.2 APPLICABLE PUBLICATIONS

- C. The publications listed below form a part of this specification. The publications are referred to in the text by the basic designation only.

## 1 - American Society for Testing and Materials (ASTM)

ASTM A153-82 (1987)	Specification for Zinc Coating (Hot-Dip) On Iron and Steel Hardware
ASTM A392-89	Zinc-Coated Steel Chain-Link Fence Fabric
ASTM A491-89	Specification for Aluminum-Coated Steel Chain-Link Fence Fabric
ASTM F1043	Pipe, Steel, Black and Hot-Dipped Zinc Coated (Galvanized) Welded and Seamless, for Ordinary Uses
ASTM A446-89	Specification for Steel, Zinc-Coated (Galvanized) by the Hot-Dip Process, Structural (Physical) Quality
ASTM A824-86	Specification for Metallic-Coated Steel Marcellled Tension Wire for Use with Chain-Link Fence
ASTM B117-90	Method of Salt Spray (Fog Testing)
ASTM F567-84	Practice for Installation of Chain-Link Fence
ASTM A121-86	Zinc-Coated (Galvanized) Steel Barb Wire
ASTM C150-86	Specification for Portland Cement
ASTM C33-86	Specification for Concrete Aggregates

## B. Federal Specifications (FS)

FS RR-F-191	General . . . fencing, wire and post, metal (and gates, chain-link fence fabric and accessories)
-------------	--

## 1.3 QUALITY ASSURANCE

- A. Provide fencing and gates as complete units including necessary erection accessories, fittings and fastenings.
- B. Provide fencing and gates bearing the trademark of the "Chain Link Fence Manufacturer's Institute".

- C. A minimum of three equivalent installations and five years of installation experience will be required of the fencing installer. P 11

#### 1.4 SUBMITTALS

- A. Product Data: Submit manufacturer's technical data and installation instructions for fencing (fabric and framing), gates and accessories. Include recommendations for proper storage and handling of materials.
- B. Certification: Submit certification signed by the manufacturer that all products supplied on this project comply with the specifications.
- C. Submit shop drawings showing plan(s), elevations and all details for construction of security fencing. Include details of gates, posts, rails, frames, post tops, support arms, tension wires, bands and bars, bracing, ties, clips, razor ribbon, spacing, and installation.
- D. Documentation of installers experience: Submit references on three equivalent installations. Include names and phone numbers of references.

#### 1.5 COORDINATION, DELIVERY, STORAGE AND HANDLING

- A. Deliver material to the site in an undamaged condition. Carefully store material off the ground to provide proper protection against oxidation.
- B. When handling material, care shall be taken not to damage framing or fabric in any way. Damaged material including, but not limited to, deformed fabric shall be rejected and removed from the site.

### PART 2 - PRODUCTS

#### 2.1 GENERAL

- A. Manufacturers: Subject to compliance with these specifications, provide products of one of the following:
- 1 - Galvanized Steel Framing and Fabric
    - a. Anchor Fence, Inc., Baltimore, MD
    - b. Southeastern Wire, Tampa, FL
    - c. Allied Tube and Conduit Fence Division, Harvey, IL
  - 2 - Barbed Tape
    - a. Allied Tube and Conduit Fence Division, Harvey, IL
    - b. Michael Industries, Newark, OH
- B. Used, rerolled or regalvanized materials are not acceptable.
- C. Dimension indicated for pipe, roll-formed and H-sections are outside dimensions, exclusive of coatings.

- A. Steel Fabric: No. 9 ga. (0.148"  $\pm$  0.005") steel wires, 2" mesh, with top selvage knuckled for fabric 60" high and under, and both top and bottom selvages twisted and barbed for fabric over 60" high. The bottom of sliding gate fabric shall be knuckled, the top twisted and barbed. Swing gate fabric shall be knuckled. The intermediate horizontal joining of fabric for the 14-foot fence shall be knuckled. Completed fabric shall be capable of withstanding tensile strength test of 85,000 psi and 1,200 minimum pounds of breaking strength.

1 - Furnish one-piece fabric widths for fencing up to 12'-6" high.

- a. Fabric Finish: Galvanized, ASTM A392, Class I, with not less than 1.2 oz. zinc per sq. ft. of surface.

#### FRAMING AND ACCESSORIES

- A. Steel Framework, General: Shall conform to Federal Specification RR-F-191, fence, posts, gates and accessories, except as herein modified. All posts, rails and braces shall conform to FS RR-F-191/3C, Class 1, Grade A or Grade B and the requirements specified herein. Steel pipe, Grade A, heavy wall, round, shall be produced to conform to ASTM A53 standard weight (Schedule 40), except the hydrostatic testing requirement is waived, and shall have a minimum of 2 ounces of zinc coating per square foot. Steel pipe, Grade B, light wall, round, shall be manufactured by Cold-Rolling High Frequency Welding. The steel shall conform to ASTM A446 Grade D. The exterior surface shall be given a hot-dipped zinc coating of 1.0  $\pm$  0.15 ounce per square foot followed by a chromate conversion coating and 0.5  $\pm$  0.2 mil of clear acrylic. The interior surface shall have hot-dipped zinc coating of 1.0  $\pm$  0.10 ounces per square foot followed by a chromate conversion coating. The product of the yield strength and the section modulus shall not be less than that of pipe conforming to ASTM A53. Standard post lengths or setting in ground or in concrete shall be as required for conditions shown.

1 - Framework Performance Test: Pipe and tubing shall meet the following performance criteria when subjected to salt spray testing in accordance with ASTM B117:

- a. Exterior: 1,000 hours with maximum 5 percent red rust.  
b. Interior: 650 hours with maximum 5 percent red rust.

2 - All accessories shall be hot-dip galvanized in accordance with ASTM A153.

- B. Line Posts: Space 10' o.c. maximum, unless otherwise indicated, of following minimum sizes and weights.

- 1 - Up to 8' fabric height, 2.375" OD steel pipe, 3.65 lbs. per lin. ft. (Schedule 40) or 2.25" x 1.875" H-sections, 2.64 lbs. per lin. ft. or Grade B steel tubing, 2.375 O.D., 3.12 lbs. per lin. ft.  
2 - Over 8' fabric height, 2.875" OD steel pipe, 5.79 lbs. per lin. ft. (Schedule 40) or 2.25" x 1.875" H-sections, 3.26 lbs. per lin. ft. or Grade B steel tubing, 2.87 O.D., 4.64 lbs. per lin. ft.

- C. Gate Posts: Furnish posts for supporting single gate leaf, or one leaf of a double gate installation, for nominal gate widths as follows:

1 - Leaf Width	Gate Post	Lbs./lin. Ft.
Up to 12'	4.000" OD pipe	9.11 (Type 1) or 6.56 (Type 2)
Over 12' to 18'	6.625" OD pipe	18.97
Over 18'	8.625" OD pipe	28.55

- D. Rail (Top, Intermediate and Bottom): Provide manufacturer's longest lengths with expansion type couplings, approximately 6" long, for each joint. Provide means for attaching top rail securely to each gate, corner, pull and end post.
  - 1 - 1.66" OD pipe, 2.27 lbs. per ft. or 1.625" x 1.25" roll-formed sections. 1.35 lbs per ft. or Grade B steel tubing: 1.660 O.D., 1.82 lbs. per lin. ft.
  - 2 - Rails for the intermediate and bottom locations shall be connected to the line and terminal post using boulevard bands. Attachment bolts for bands shall be 5/16 inches x 1-1/2 inch carriage bolts with nuts. Each bolt shall be peened after being installed.
- E. Post Tops: Post tops shall be pressed steel, or malleable iron, designed as a weather tight closure cap for posts. Provide one cap with loop to receive tension wire or top rail for each post, unless equal protection is afforded by combination top cap and barbed wire supporting arm where barbed wire or barbed tape is required.
- F. Tension Wire: Tension wire shall be seven gauge, Class III, hard-tempered carbon steel hot dip galvanized (ASTM A824). Hog rings for attaching the wire to the fabric shall be installed at intervals not exceeding 24 inches.
- G. Wire Ties: Nine gauge steel to match fabric core material.
- H. Post Brace Assembly: Manufacturer's standard galvanized adjustable turnbuckle at end and gate posts and at both sides of corner and pull posts, with horizontal brace located at mid-height of fabric. Use same materials as top rail for brace, and truss to line posts with 0.375" diameter rod and galvanized adjustable turnbuckle.
- I. Stretcher Bars: One-piece lengths equal to full height of fabric with minimum cross-section of 3/16" x 3/4". Provide one stretcher bar for each gate and end post, and two for each corner and pull post.
- J. Stretcher Bar Bands: Bar bands shall be heavy-pressed steel, 3/4" x 1/10" nominal to secure tension bars to tubular end, corner, pull, gate posts and embedded angles. Space bar bands not more than 15 inches on center.
- K. Post Braces: Post braces shall be of the same material as the rails and shall extend from the terminal, corner or pull post to the first adjacent line post. Braces shall be securely fastened to the posts by heavy-pressed steel and malleable fittings, then securely trussed from line post to base of terminal post with a 3/8" truss rod equipped with an adjustable galvanized turnbuckle.
- L. Fittings: Malleable steel, cast iron or pressed steel, Fittings to include extension arms for barbed wire, stretcher bars and clamps, clips, tension rod, brace rod, hardware, fabric bands and fastenings, and all accessories.
- M. Barbed Wire Support Arms: Manufacturer's standard barbed wire support arms, metal and finish to match fence framework, with provision for mechanical anchorage to posts and

attaching three rows of barbed wire to each arm. Supporting arms shall be integral with post top weather cap and must be capable of withstanding 25 lbs. downward pull at outermost end. At corner posts, use corner arms of one-piece malleable steel mechanically fastened to the post. Provide the following type(s) and see fence types for locations:

- 1 - Single 45 degrees arm; for 3-strand barbed wire, one for each post.
- N. Barbed Wire: 2-strand, 12-1/2 ga. wire with 14 ga. 4-point barbs spaced not more than 5" o.c., wire shall conform to ASTM A121, Class I, and shall be hot-dip galvanized steel.
- O. Barbed Tape:
- 1 - Barbed tape coil shall be 30" diameter. Barbed tape material shall be 430 stainless steel hardened to Rockwell (30N) 40-45. Strip shall measure 0/025" by 1" before fabrication. The barb clusters shall be spaced 4 inches on center with individual needle-sharp barbs having a length not less than 1.2 inches. [Each loop shall have 23-barb clusters. The barbed tape shall be permanently cold-clenched over a spring steel wire having a tensile strength of 130,000 psi and a diameter of 0.098 inch.
- The barbed tape shall have a minimum 230° wrap about the core wire. The center core wire shall be 0.098" diameter austenitic stainless steel. The stainless steel strip between barb clusters shall be 0.325" wide minimum, after roll forming in order to create two cut-resistant, strengthening flanges extending out from the wire. These flanges shall taper off in the immediate vicinity of the barb cluster to allow maximum barb penetration. Adjacent helical coils shall be clipped together in five locations and the circumference to obtain a concertina effect. Attachment spacing of the extended coil shall be 12" ± 2". Each coil shall have 51 loops and cover 25'-0" ± 2'-0", when fully extended. Clips shall be fabricated from stainless steel. Clip dimensions are 0.065" x 0.375". Clips shall be capable of withstanding a minimum pull load of 100 pounds.
- a. Twistable wire ties for securing the barbed tape shall be 18 gauge stainless steel.
  - b. Hog Ring for securing barbed tape shall be a minimum of 11 gauge stainless steel.
- 2 - Barbed tape obstacle shall be (30") diameter fabricated from .025" thick AISI 301 series stainless strip hardened to Rockwell (30N) 50-55. Clusters of four barbs having a maximum tip radius of .005" shall be punched 4" on center. Barb cluster width shall be 1.210". Barbs shall have a minimum length of 1.2". Barbs shall be alternately offset from the tape centerline .15-.45". Each coil loop shall contain 24 ± 1-barb clusters. Adjacent coil loops shall be alternately spot welded at five points of approximately equal spacing about the perimeter in such a way as to prevent any slipping of one past the other at the point of attachment. Each welded attachment shall be capable of surviving a minimum pure tensile load of 400# (1) jacketed stainless steel wire rope 7 x 7 strand to each coil loop along the length of the obstacle. Wire rope shall fix the concertina opening at 12" ± 1'-0" coil loops shall cover 50' ± 2'.
- a. Twistable wire ties for securing the barbed tape shall be 18 gauge stainless steel.
- P. Concrete: Provide concrete consisting of portland cement, ASTM C150, aggregates ASTM C33, and clean water. Mix materials to obtain concrete with a minimum 28-day compressive strength of 2500 psi using at least four sacks of cement per cu. yd., 1" maximum size aggregate, maximum 3" slump, and 2% to 4% entrained air.

## 2.4 GATES

- J. Gate Types: Gates shall be swing or sliding as indicated on the drawings, complete with latches, stops, keepers and hinges [or rollers and roller tracks].
- K. Gate Sizes:
- 1 - Swing Gate Frames Height up to 6'-0" high and leaf width 8'-0" or less.
    - a. Pipe: 1.660" OD, 2.27 lb. per lin. ft., Schedule 40.
    - b. Grade B Steel Tubing: 1.660" OD, 1.84 lb. per lin. ft.
  - 2 - Swing Gate Frames Height 6'-0" to 12'-0" or leaf width exceeding 8'-0":
    - a. Pipe: 1.90" OD, 2.72 lb. per lin. ft., Schedule 40.
    - b. Grade B Steel Tubing: 1.90" OD, 2.28 lb. per lin. ft.
  - 3 - Swing Gate Frames Height 12'-1" to 16'-0".
    - a. Pipe: 2.375" OD, 3.65 lb. per lin. ft., Schedule 40.
- L. Gate Frames: Assemble gate frames by welding or with special steel fitting and rivets for rigid connections. Install mid-height horizontal rails on all gates over 10-foot high. When width of gate leaf exceeds 10 feet, install mid-distance vertical tubing of the same size and weight as frame members. Provide truss rods as cross bracing to prevent sag or twist. All welded connections shall be painted with three coats of zinc rich paint.
- M. Gate Fabric: Fabric shall be the same type as used in the fence construction. The fabric shall be attached securely to the gate frame at intervals not exceeding 12 inches. Secure fabric to frame with tension bars, tension bands and 9-gauge steel wire.
- N. Gate Accessories: Gate accessories shall be hot-dip galvanized with zinc coating of no less than 2 ounces of zinc per square foot. Gate latches, stops, and keepers shall be provided as appropriate for all gates. Latches shall have a plunger-bar or center drop rod of full gate height arranged to engage the center stop, except that for single leaf gates, gate latch shall be a forked gravity drop bar with positive locking features. Latches shall be arranged for locking to accept a padlock furnished by the Owner. Center stops shall consist of a device arranged to be set in concrete and to engage a plunger-bar of the latch of double gates. Locking devices shall be constructed so that the center drop rod or plunger bar cannot be raised when locked. No stop is required for single gates. Keepers shall consist of a mechanical device for securing the free end of the gate when in the full open position. Gates and posts shall be modified as required to receive hardware including locking and operating mechanisms including gate operators specified in a separate Division 2 Section.
- O. Gate Hinges: Hinges shall be security type of adequate heavy duty strength for gate and with large bearing surfaces for clamping in position. The hinges shall not twist or turn under the action of the gate. The gates shall be capable of being opened and closed easily by one person.
- 1 - Hinges: Shall be a non-lift-off type, offset to permit 180° swing, and of suitable size and weight to support gate. Provide 1-1/2 pair of hinges for each leaf over 6 feet high.
- P. Modifications: Key access ports shall be installed where required for hardware access.



- Q. Double Leaf Gates: Size and configuration shall be as indicated. Provide gate stops for all double gates, consisting of mushroom type or flush plate, with anchors. Set in concrete to engage the center drop rod or plunger bar. Provide locking device and padlock eyes as an integral part of the latch, requiring one padlock for locking both gate leaves where padlocks are called for. R16
- I. Barbed Tape at Gates: Provide barbed tape above gates, extend end members of gate frames and prepare to receive tension wire to support barbed tape. Provide specified accessories to attach barbed tape to tension wire.

### PART 3 - EXECUTION

#### 3.1 INSTALLATION

- J. Installation of fencing shall meet the requirements of ASTM F567. Erect fencing in straight lines between angle points by skilled mechanics experienced in this type of construction. Erect in accordance with these Specifications and manufacturer's recommendations as approved in the shop drawings.
- K. Do not begin installation and erection before final grading is completed, unless otherwise permitted.
- L. Excavation: Drill or hand excavate grade beams and holes for posts to dimensions and spacings indicated. Excavation is to be in firm, undisturbed or compacted soil. Use post hole digger for posts.
- 1 - If not indicated on drawings, excavate holes for each post to minimum diameters as recommended by fence manufacturer, but not less than four times the largest cross-section of the post.
  - 2 - Unless otherwise indicated, excavate hole depths approximately 3" lower than post bottom, with bottom of posts set not less than 36" below finish grade surface.
  - 3 - Setting posts in rock: Drill holes into solid rock 1" wider than pipe diameter, 18" deep for end, pull, corner and gate posts; 12" deep for line posts. Set posts into holes and fill annular space with non-shrink grout.
- M. Setting Posts: Center and align posts in holes 3" above bottom of excavation.
- 1 - Place concrete around posts and vibrate or tamp for consolidation. Check each post for vertical and top alignment, and hold in position during placement and finishing operations.
    - a. Unless otherwise indicated, extend concrete footings 2" above grade and trowel to a crown to shed water.
    - b. The top surface of the grade beam shall have a crown watershed finish, unless otherwise shown on the Drawings or unless field conditions require sloping in one direction in order not to trap water runoff.
  - 2 - Provide corner or pull posts for any change in direction of 15° or more and for any abrupt change in grade, with bracing in both directions. All posts, including line posts and terminal posts, shall be installed such that if a 40-pound force is applied

perpendicular to the fence line at the top of the post, the post will deflect not more than 2" at the top.

P17

- 3 - Mechanically fasten post tops to posts as they are being installed to prevent rain water from collecting in posts during installation.
- N. Top Rails: Run rail continuously through post caps, bending to radius for curved runs. Provide expansion couplings as recommended by fencing manufacturer.
- O. Center Rails: Provide center rails where indicated. Install in one piece between posts and flush with post on fabric side, using special offset fittings where necessary.
- P. Brace Assemblies: Install braces so posts are plumb when diagonal rod is under proper tension.
- Q. Tension Wire: Install tension wires through post cap loops, if top rails are not indicated, before stretching fabric and tie to each post cap with not less than 6-gauge galvanized wire. Fasten fabric to tension wire using 11-gauge galvanized steel hog rings spaced 24" o.c.
- I. Fence Fabric:
- 1 - When handling and installing fabric, support and brace as required to prevent deformation or any other damage of chain links.
  - 2 - Fasten chain-link fabric to end posts with tension (stretcher) bars and tension (stretcher) bar bands at spacing herein specified. Fabric shall be installed such that it will pass the fabric tension test herein specified. Pull fabric taut and secure to top tension wire.
  - 3 - Fence fabric shall be secured to all rails and posts that are not terminal posts with wire ties at spacing herein specified. Tie down wire shall be woven through the fence fabric, completely around the rail, and wire shall be twisted securely with three twists on the rail side of the fence. The tails of the wire shall be cut off to preclude untwisting by hand. Twist shall be on non-secure side of fence. Secure fabric to posts using integral fastening loops at end, corner and gate posts for full length of each post.
- J. Stretcher Bars: Thread through or clamp to fabric 4" o.c., and secure to posts with metal bands spaced 15" o.c.
- K. Connectors and Accessories: After installation, all threaded connectors and accessories shall be peened or tack welded.
- L. Gates: Install gates plumb, level and secure for full opening without interference. Install ground-set items in concrete for anchorage. Adjust for smooth operation and lubricate where necessary. The maximum clearance between the bottom of the gate in closed position and ground shall be 3".
- M. Tie Wires: Use U-shaped wire, conforming to diameter of pipe to which attached, clasping pipe and fabric firmly with ends twisted at least three full turns. Bend ends of wire to minimize hazard to persons or clothing.
- 1 - Tie fabric to line posts - wire ties at 12" o.c.
  - 2 - Tie fabric to rails and braces - wire ties at 24" o.c.

3 - Tie fabric to tension wires - hog rings at 24" o.c.

4 - Tie fabric to fabric horizontally - hog staples at 15" o.c. maximum.

P18

- N. Fasteners: Install nuts for tension bands and hardware bolts on side of fence opposite fabric side. Peen ends of bolts or score threads to prevent removal of nuts.
- O. Bracing: Brace terminal posts with intermediate horizontal rails at midpoint above grade and secure diagonal braces to the terminal post and adjacent line post, or its footing, at maximum of 50° angle between the diagonal brace and grade.
- P. Barbed Wire: Pull wire taut and install securely to extension arms and end post or terminal arms in accordance with manufacturer's instructions.
- Q. Barbed Tape: Install on the top, side and base of the security fence as indicated on the drawing. The barbed tape installed on the top of the extension arm shall be secured to the single strand of barbed wire at the preset distance of 12" on center. The barbed tape will be secured to the barbed wire and top of the fence by using stainless steel twistable wire ties or stainless steel hog rings in accordance with the barbed tape manufacturer's recommendations.

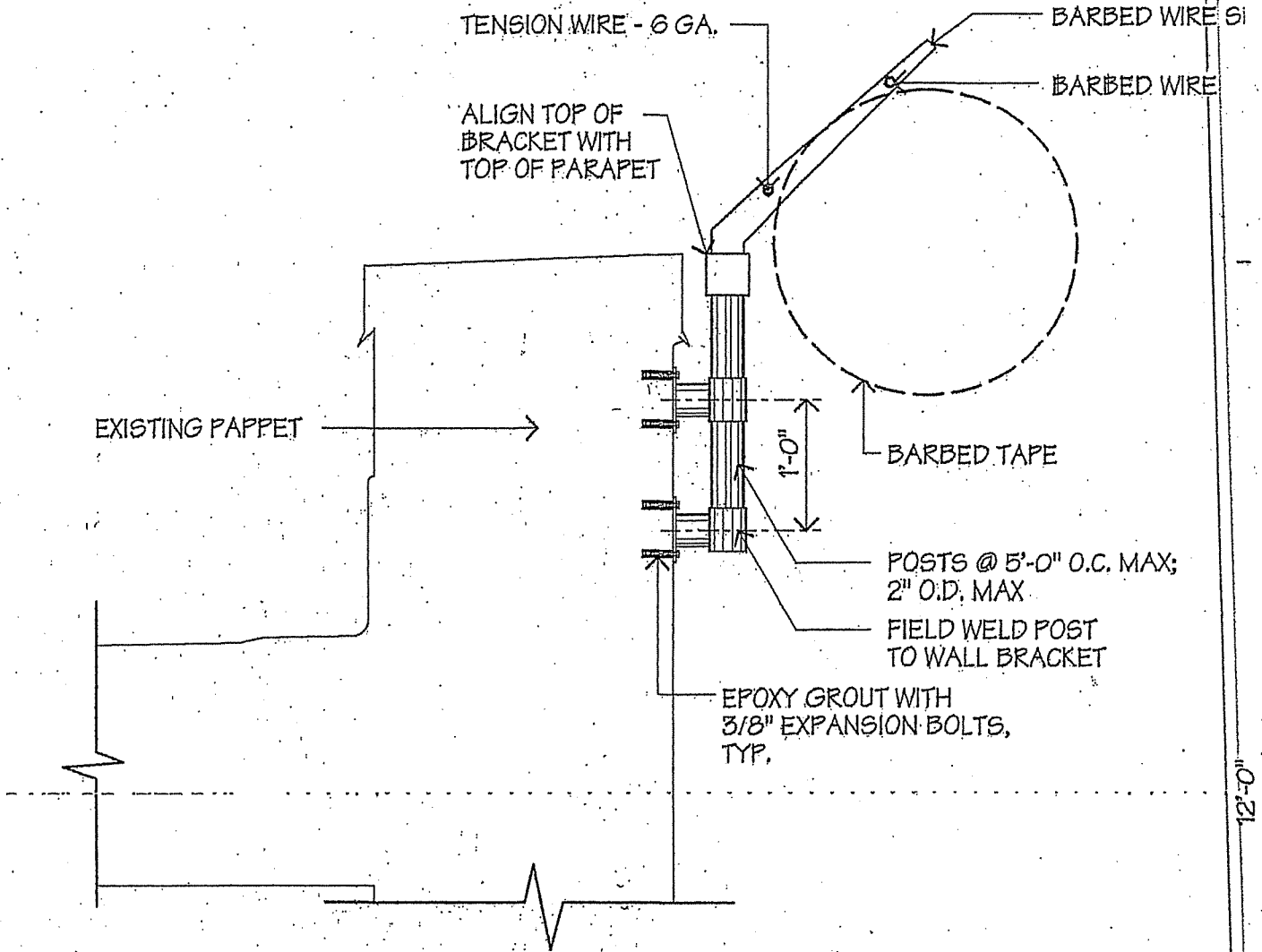
### 3.3 QUALITY CONTROL

- J. Gate Demonstration: Contractor shall schedule demonstration of proper operation of gates and locks with the Architect. Contractor shall assure that all responsible parties are in attendance.
- K. Testing of Fence Fabric: Each fence panel shall be constructed such that it will pass the following test. Deflection of fence fabric shall be no greater than 2" when a force of 30 pounds is applied in the center of the panel, perpendicular to the plane of the fence fabric. Fabric shall return to original position when force is released. At the discretion of the Architect, fence testing may occur at any time after the fence has been installed and again at substantial completion.

### 3.4 FINAL CLEAN-UP

- A. Remove surplus materials from the site.
- B. Clean up work area of all debris upon completion of the work.

END OF SECTION 02832



# BARBED TAPE ATTACHMENT DETAIL

A  
A1.0

SCALE: 3/4" = 1'-0"

STATE OF WEST VIRGINIA  
Purchasing Division

**PURCHASING AFFIDAVIT**

**West Virginia Code §5A-3-10a states:** No contract or renewal of any contract may be awarded by the state or any of its political subdivisions to any vendor or prospective vendor when the vendor or prospective vendor or a related party to the vendor or prospective vendor is a debtor and the debt owned is an amount greater than one thousand dollars in the aggregate

**DEFINITIONS:**

“Debt” means any assessment, premium, penalty, fine, tax or other amount of money owed to the state or any of its political subdivisions because of a judgment, fine, permit violation, license assessment, defaulted workers’ compensation premium, penalty or other assessment presently delinquent or due and required to be paid to the state or any of its political subdivisions, including any interest or additional penalties accrued thereon.

“Debtor” means any individual, corporation, partnership, association, limited liability company or any other form or business association owing a debt to the state or any of its political subdivisions. “Political subdivision” means any county commission; municipality; county board of education; any instrumentality established by a county or municipality; any separate corporation or instrumentality established by one or more counties or municipalities, as permitted by law; or any public body charged by law with the performance of a government function or whose jurisdiction is coextensive with one or more counties or municipalities. “Related party” means a party, whether an individual, corporation, partnership, association, limited liability company or any other form or business association or other entity whatsoever, related to any vendor by blood, marriage, ownership or contract through which the party has a relationship of ownership or other interest with the vendor so that the party will actually or by effect receive or control a portion of the benefit, profit or other consideration from performance of a vendor contract with the party receiving an amount that meets or exceed five percent of the total contract amount.

**EXCEPTION:** The prohibition of this section does not apply where a vendor has contested any tax administered pursuant to chapter eleven of this code, workers’ compensation premium, permit fee or environmental fee or assessment and the matter has not become final or where the vendor has entered into a payment plan or agreement and the vendor is not in default of any of the provisions of such plan or agreement.

**LICENSING:** Vendors must be licensed and in good standing in accordance with any and all state and local laws and requirements by any state or local agency of West Virginia, including, but not limited to, the West Virginia Secretary of State’s Office, the West Virginia Tax Department, West Virginia Insurance Commission, or any other state agencies or political subdivision. Furthermore, the vendor must provide all necessary releases to obtain information to enable the Director or spending unit to verify that the vendor is licensed and in good standing with the above entities.

**CONFIDENTIALITY:** The vendor agrees that he or she will not disclose to anyone, directly or indirectly, any such personally identifiable information or other confidential information gained from the agency, unless the individual who is the subject of the information consents to the disclosure in writing or the disclosure is made pursuant to the agency’s policies, procedures and rules. Vendors should visit [www.state.wv.us/admin/purchase/privacy](http://www.state.wv.us/admin/purchase/privacy) for the Notice of Agency Confidentiality Policies.

Under penalty of law for false swearing (West Virginia Code, §61-5-3), it is hereby certified that the vendor acknowledges the information in this said affidavit and are in compliance with the requirements as stated.

Vendor’s Name: \_\_\_\_\_

Authorized Signature: \_\_\_\_\_ Date: \_\_\_\_\_

**BID BOND PREPARATION INSTRUCTIONS**

AGENCY \_\_\_\_\_ (A)  
 RFQ/RFP# \_\_\_\_\_ (B)

**Bid Bond**

- (A) WV State Agency  
(Stated on Page 1 "Spending Unit")  
Request for Quotation Number (upper  
right corner of page #1)
- (C) Your Company Name
- (D) City, Location of your Company
- (E) State, Location of your Company
- (F) Surety Corporate Name
- (G) City, Location of Surety
- (H) State, Location of Surety
- (I) State of Surety Incorporation
- (J) City of Surety Incorporation
- (K) Minimum amount of acceptable bid  
bond is 5% of total bid. You may state  
"5% of bid" or a specific amount on  
this line in words.
- (L) Amount of bond in figures
- (M) Brief Description of scope of work
- (N) Day of the month
- (O) Month
- (P) Year
- (Q) Name of Corporation
- (R) Raised Corporate Seal of Principal
- (S) Signature of President or Vice  
President
- (T) Title of person signing
- (U) Raised Corporate Seal of Surety
- (V) Corporate Name of Surety
- (W) Counter Signature by WV agent
- (X) Signature of Attorney in Fact of the  
Surety

KNOW ALL MEN BY THESE PRESENTS, That we, the undersigned,  
 \_\_\_\_\_ (C) of \_\_\_\_\_ (D) \_\_\_\_\_, \_\_\_\_\_ (E) \_\_\_\_\_,  
 as Principal, and \_\_\_\_\_ (F) \_\_\_\_\_ of \_\_\_\_\_ (G) \_\_\_\_\_,  
 \_\_\_\_\_ (H) \_\_\_\_\_, a corporation organized and existing under the laws  
 of the State of \_\_\_\_\_ (I) \_\_\_\_\_ with its principal office in the City of  
 \_\_\_\_\_ (J) \_\_\_\_\_, as Surety, are held and firmly bound unto The State  
 of West Virginia, as Oblige, in the penal sum of \_\_\_\_\_ (K) \_\_\_\_\_  
 (\$ \_\_\_\_\_ (L) \_\_\_\_\_) for the payment of which, well and truly to be made,  
 we jointly and severally bind ourselves, our heirs, administrators, executors,  
 successors and assigns.

The Condition of the above obligation is such that whereas the Principal  
 has submitted to the Purchasing Section of the Department of Administration  
 a certain bid or proposal, attached hereto and made a part hereof to enter into a  
 contract in writing for \_\_\_\_\_ (M) \_\_\_\_\_  
 \_\_\_\_\_  
 \_\_\_\_\_

NOW THEREFORE.

(a) If said bid shall be rejected, or  
 (b) If said bid shall be accepted and the Principal shall enter into a  
 contract in accordance with the bid or proposal attached hereto and shall furnish  
 any other bonds and insurance required by the bid or proposal, and shall in all  
 other respects perform the agreement created by the acceptance of said bid then  
 this obligation shall be null and void, otherwise this obligation shall remain in full  
 force and effect. It is expressly understood and agreed that the liability of the  
 Surety for any and all claims hereunder shall, in no event, exceed the penal  
 amount of this obligation as herein stated

The Surety for value received, hereby stipulates and agrees that the  
 obligations of said Surety and its bond shall be in no way impaired or affected by  
 any extension of time within which the Oblige may accept such bid: and said  
 Surety does hereby waive notice of any such extension.

IN WITNESS WHEREOF, Principal and Surety have hereunto set their  
 hands and seals, and such of them as are corporations have caused their corporate  
 seals to be affixed hereto and these presents to be signed by their proper officers,  
 this \_\_\_\_\_ (N) \_\_\_\_\_ day of \_\_\_\_\_ (O) \_\_\_\_\_, 20 \_\_\_\_\_ (P) \_\_\_\_\_.

NOTE: Dated, Power of Attorney with Raised  
 Surety Seal must accompany this bid  
 bond.

Principal Corporate Seal \_\_\_\_\_ (Q) \_\_\_\_\_  
 (Name of Principal)  
 (R) By \_\_\_\_\_ (S) \_\_\_\_\_  
 (Must be President or  
 Vice President)  
 \_\_\_\_\_ (T) \_\_\_\_\_  
 Title  
 \_\_\_\_\_ (U) \_\_\_\_\_  
 Surety Corporate Seal \_\_\_\_\_ (V) \_\_\_\_\_  
 (Name of Surety)  
 Countersigned:  
 \_\_\_\_\_ (W) \_\_\_\_\_ \_\_\_\_\_ (X) \_\_\_\_\_  
 Resident West Virginia Agent Attorney-in-Fact

IMPORTANT – Surety executing bonds must be licensed in West Virginia to  
 transact surety insurance. Corporate seals must be affixed, a power of attorney  
 must be attached, and a West Virginia resident must sign or countersign.

**BID BOND**

KNOW ALL MEN BY THESE PRESENTS, That we, the undersigned, \_\_\_\_\_  
\_\_\_\_\_ of \_\_\_\_\_, \_\_\_\_\_, as Principal, and \_\_\_\_\_  
\_\_\_\_\_ of \_\_\_\_\_, \_\_\_\_\_, a corporation organized and existing under the laws of the State of \_\_\_\_\_  
\_\_\_\_\_ with its principal office in the City of \_\_\_\_\_, as Surety, are held and firmly bound unto the State  
of West Virginia, as Obligee, in the penal sum of \_\_\_\_\_ (\$ \_\_\_\_\_) for the payment of which,  
well and truly to be made, we jointly and severally bind ourselves, our heirs, administrators, executors, successors and assigns.

The Condition of the above obligation is such that whereas the Principal has submitted to the Purchasing Section of the  
Department of Administration a certain bid or proposal, attached hereto and made a part hereof, to enter into a contract in writing for  
\_\_\_\_\_  
\_\_\_\_\_  
\_\_\_\_\_

NOW THEREFORE,

- (a) If said bid shall be rejected, or
- (b) If said bid shall be accepted and the Principal shall enter into a contract in accordance with the bid or proposal attached hereto and shall furnish any other bonds and insurance required by the bid or proposal, and shall in all other respects perform the agreement created by the acceptance of said bid, then this obligation shall be null and void, otherwise this obligation shall remain in full force and effect. It is expressly understood and agreed that the liability of the Surety for any and all claims hereunder shall, in no event, exceed the penal amount of this obligation as herein stated.

The Surety, for the value received, hereby stipulates and agrees that the obligations of said Surety and its bond shall be in no way impaired or affected by any extension of the time within which the Obligee may accept such bid, and said Surety does hereby waive notice of any such extension.

IN WITNESS WHEREOF, Principal and Surety have hereunto set their hands and seals, and such of them as are corporations have caused their corporate seals to be affixed hereunto and these presents to be signed by their proper officers, this \_\_\_\_\_ day of \_\_\_\_\_, 20\_\_\_\_.

Principal Corporate Seal

\_\_\_\_\_  
(Name of Principal)

By \_\_\_\_\_  
(Must be President or Vice President)

\_\_\_\_\_  
(Title)

Surety Corporate Seal

\_\_\_\_\_  
(Name of Surety)

\_\_\_\_\_  
Attorney-in-Fact

**IMPORTANT – Surety executing bonds must be licensed in West Virginia to transact surety insurance. Raised corporate seals must be affixed, a power of attorney must be attached.**