



The following documentation is an electronically-submitted vendor response to an advertised solicitation from the *West Virginia Purchasing Bulletin* within the Vendor Self-Service portal at wvOASIS.gov. As part of the State of West Virginia's procurement process, and to maintain the transparency of the bid-opening process, this documentation submitted online is publicly posted by the West Virginia Purchasing Division at WVPurchasing.gov with any other vendor responses to this solicitation submitted to the Purchasing Division in hard copy format.

Header 3

List View

General Information | Contact | Default Values | Discount | Document Information | Clarification Request

Procurement Folder: 1217614

Procurement Type: Central Purchase Order

Vendor ID: 000000184243

Legal Name: FASTENAL COMPANY

Alias/DBA:

Total Bid: \$69,727.38

Response Date: 05/09/2023

Response Time: 8:35

Responded By User ID: tamartin

First Name: Tad

Last Name: Martin

Email: tamartin@fastenal.com

Phone: 304-345-5108

SO Doc Code: CRFQ

SO Dept: 0603

SO Doc ID: ADJ2300000027

Published Date: 5/2/23

Close Date: 5/9/23

Close Time: 13:30

Status: Closed

Solicitation Description: MCAS Lighting Project

Total of Header Attachments: 3

Total of All Attachments: 3



Department of Administration
 Purchasing Division
 2019 Washington Street East
 Post Office Box 50130
 Charleston, WV 25305-0130

**State of West Virginia
 Solicitation Response**

Proc Folder: 1217614
Solicitation Description: MCAS Lighting Project
Proc Type: Central Purchase Order

Solicitation Closes	Solicitation Response	Version
2023-05-09 13:30	SR 0603 ESR05092300000005697	1

VENDOR
 000000184243
 FASTENAL COMPANY

Solicitation Number: CRFQ 0603 ADJ2300000027
Total Bid: 69727.38000000000465661287307 **Response Date:** 2023-05-09 **Response Time:** 08:35:39
Comments:

FOR INFORMATION CONTACT THE BUYER
 David H Pauline
 304-558-0067
 david.h.pauline@wv.gov

Vendor Signature X **FEIN#** **DATE**

All offers subject to all terms and conditions contained in this solicitation

Line	Comm Ln Desc	Qty	Unit Issue	Unit Price	Ln Total Or Contract Amount
1	Lithonia WPX2 Cut-Off Wall Pack, or Equal	12.00000	EA	204.120000	2449.44

Comm Code	Manufacturer	Specification	Model #
39101600			

Commodity Line Comments:

Extended Description:

Contract Item 3.1.1

Line	Comm Ln Desc	Qty	Unit Issue	Unit Price	Ln Total Or Contract Amount
2	Lithonia TWX2 Forward Throw Wall Pack, or Equal	4.00000	EA	145.600000	582.40

Comm Code	Manufacturer	Specification	Model #
39101600			

Commodity Line Comments:

Extended Description:

Contract Item 3.1.2

Line	Comm Ln Desc	Qty	Unit Issue	Unit Price	Ln Total Or Contract Amount
3	SATCO NUVO 62-1144R1 Up-and-Down Wall Sconce, or Equal	4.00000	EA	79.800000	319.20

Comm Code	Manufacturer	Specification	Model #
39101600			

Commodity Line Comments:

Extended Description:

Contract Item 3.1.3

Line	Comm Ln Desc	Qty	Unit Issue	Unit Price	Ln Total Or Contract Amount
4	SATCO NUVO 62/1645 Indoor Wall Sconce, or Equal	4.00000	EA	51.800000	207.20

Comm Code	Manufacturer	Specification	Model #
39101600			

Commodity Line Comments:

Extended Description:

Contract Item 3.1.4

Line	Comm Ln Desc	Qty	Unit Issue	Unit Price	Ln Total Or Contract Amount
5	SATCO NUVO 60/890 Outdoor Central Park Light, or Equal	2.00000	EA	70.840000	141.68

Comm Code	Manufacturer	Specification	Model #
39101600			

Commodity Line Comments:

Extended Description:

Contract Item 3.1.5

Line	Comm Ln Desc	Qty	Unit Issue	Unit Price	Ln Total Or Contract Amount
6	WAC Lighting LED Vanity Light (WS-180216), or Equal	30.00000	EA	97.930000	2937.90

Comm Code	Manufacturer	Specification	Model #
39101600			

Commodity Line Comments:

Extended Description:

Contract Item 3.1.6

Line	Comm Ln Desc	Qty	Unit Issue	Unit Price	Ln Total Or Contract Amount
7	Lithonia Flat Panel Troffer, LED, CPX CPX 2X2 3200, or Equal	225.00000	EA	58.880000	13248.00

Comm Code	Manufacturer	Specification	Model #
39101600			

Commodity Line Comments:

Extended Description:

Contract Item 3.1.7

Line	Comm Ln Desc	Qty	Unit Issue	Unit Price	Ln Total Or Contract Amount
8	Lithonia 2X2SMKSH, Surface Mount Kit, Flat Panel or Equal	12.00000	EA	28.000000	336.00

Comm Code	Manufacturer	Specification	Model #
39101600			

Commodity Line Comments:

Extended Description:

Contract Item 3.1.8

Line	Comm Ln Desc	Qty	Unit Issue	Unit Price	Ln Total Or Contract Amount
9	Lithonia CPX-2X4-4000LM-40K-M2 LED Flat Panel Troffer, or Eq	160.00000	EA	83.030000	13284.80

Comm Code	Manufacturer	Specification	Model #
39101600			

Commodity Line Comments:

Extended Description:

Contract Item 3.1.9

Line	Comm Ln Desc	Qty	Unit Issue	Unit Price	Ln Total Or Contract Amount
10	Lithonia WF6 6" LED Wafer Recessed Downlight, or Equal	25.00000	EA	28.710000	717.75

Comm Code	Manufacturer	Specification	Model #
39101600			

Commodity Line Comments:

Extended Description:

Contract Item 3.1.10

Line	Comm Ln Desc	Qty	Unit Issue	Unit Price	Ln Total Or Contract Amount
11	Lithonia WF8 8" LED Wafer Recessed Downlight, or Equal	25.00000	EA	43.120000	1078.00

Comm Code	Manufacturer	Specification	Model #
39101600			

Commodity Line Comments:

Extended Description:

Contract Item 3.1.11

Line	Comm Ln Desc	Qty	Unit Issue	Unit Price	Ln Total Or Contract Amount
12	Lithonia FMLWL 48" LED Wraparound, or Equal	40.00000	EA	65.730000	2629.20

Comm Code	Manufacturer	Specification	Model #
39101600			

Commodity Line Comments:

Extended Description:

Contract Item 3.1.12

Line	Comm Ln Desc	Qty	Unit Issue	Unit Price	Ln Total Or Contract Amount
13	Lithonia FMLWL 24" Low-Profile Wraparound Flush Mount, or Eq	10.00000	EA	59.160000	591.60

Comm Code	Manufacturer	Specification	Model #
39101600			

Commodity Line Comments:

Extended Description:

Contract Item 3.1.13

Line	Comm Ln Desc	Qty	Unit Issue	Unit Price	Ln Total Or Contract Amount
14	Lithonia FMLRL M4 20840 14" Round Low Profile LED, or Equal	200.00000	EA	89.600000	17920.00

Comm Code	Manufacturer	Specification	Model #
39101600			

Commodity Line Comments:

Extended Description:

Contract Item 3.1.14

Line	Comm Ln Desc	Qty	Unit Issue	Unit Price	Ln Total Or Contract Amount
15	Lithonia EU2C Emergency Light Only (Not An Exit), or Equal	6.00000	EA	25.910000	155.46

Comm Code	Manufacturer	Specification	Model #
39101600			

Commodity Line Comments:

Extended Description:

Contract Item 3.1.15

Line	Comm Ln Desc	Qty	Unit Issue	Unit Price	Ln Total Or Contract Amount
16	Lithonia CNY LED P1 Canopy Light, or Equal	4.00000	EA	142.880000	571.52

Comm Code	Manufacturer	Specification	Model #
39101600			

Commodity Line Comments:

Extended Description:

Contract Item 3.1.16

Line	Comm Ln Desc	Qty	Unit Issue	Unit Price	Ln Total Or Contract Amount
17	Barron SSF-4' Series LED Linear Stairwell Fixture, or Equal	15.00000	EA	181.510000	2722.65

Comm Code	Manufacturer	Specification	Model #
39101600			

Commodity Line Comments:

Extended Description:

Contract Item 3.1.17

Line	Comm Ln Desc	Qty	Unit Issue	Unit Price	Ln Total Or Contract Amount
18	Lithonia Lighting Cylinder Downlight, or Equal	19.00000	EA	444.870000	8452.53

Comm Code	Manufacturer	Specification	Model #
39101600			

Commodity Line Comments: This line did not have much information to what the exact model that was needed. We are willing to work with you post-bid on finding the exact match. This will ensure that the cost of this line isn't weighted too much in with the entire bid due to us not having the clear part to go after. Will provide cut sheet along with bid documents.

Extended Description:

Contract Item 3.1.18

Line	Comm Ln Desc	Qty	Unit Issue	Unit Price	Ln Total Or Contract Amount
19	Lithonia Contractor Select LED Floodlight, or Equal	2.00000	EA	120.000000	240.00

Comm Code	Manufacturer	Specification	Model #
39101600			

Commodity Line Comments:

Extended Description:

Contract Item 3.1.19
 "ESXF1ALOSWW2KYDDB Contractor Select" or equal

Line	Comm Ln Desc	Qty	Unit Issue	Unit Price	Ln Total Or Contract Amount
20	48" Med Pin T8 LED Bypass Tubes	30.00000	EA	9.702000	291.06

Comm Code	Manufacturer	Specification	Model #
39101600			

Commodity Line Comments:

Extended Description:

Contract Item 3.1.20

Line	Comm Ln Desc	Qty	Unit Issue	Unit Price	Ln Total Or Contract Amount
21	36" Med Pin T8 LED Bypass Tubes	5.00000	EA	12.278000	61.39

Comm Code	Manufacturer	Specification	Model #
39101600			

Commodity Line Comments:**Extended Description:**

Contract Item 3.1.21

Line	Comm Ln Desc	Qty	Unit Issue	Unit Price	Ln Total Or Contract Amount
22	US Architectural Lighting Post Top Light, or Equal	6.00000	EA	131.600000	789.60

Comm Code	Manufacturer	Specification	Model #
39101600			

Commodity Line Comments: The manufacturer of this line only sells through LaFace & McGovern. Unfortunately when we reached out to them we were made aware that these are not able to be purchased because they were also submitting their own bid. So the withheld that information from us. We are willing to reach back out to them if we are the bid winner that way we can get the exact product you need. Until then, we have come up with a low cost alternative that may work in place. The cutsheet will be added for viewing.

Extended Description:

Contract Item 3.1.22

LCMRV32LEDNWPTRAL9005T

Line	Comm Ln Desc	Qty	Unit Issue	Unit Price	Ln Total Or Contract Amount
23	Delivery Fee	1.00000	EA	0.000000	0.00

Comm Code	Manufacturer	Specification	Model #
39101600			

Commodity Line Comments: No fees**Extended Description:**

Contract Item 3.1.23

Project Name

Location

Prepared By



NUVO 62-644

DIEGO LED OUTDOOR POST

Notes

[www] 03-22-2021 04:50:53

General

Status	Active
Collection	Diego
Finish	Mahogany Bronze
Wattage	10
Style	Transitional
CCT (Kelvin)	3000
Color Temperature	Warm White
Width (in.)	9.00
Height (in.)	16.13
Indoor or Outdoor Fixture	Outdoor

Specifications

Technology	LED
CRI	90+
Lumen Output	800
Voltage	120V
Dimmable	Lamp Dependent
Glass Description	Satin Amber Glass
Weight (lb.)	7.84
Fixture Material	Satin Amber Glass
Fixture Type	Post Lantern

Dimensions

Fitter Size	3 in.
-------------	-------

Compliance

Safety Listing	cETLus
Location Rating	Wet
UL Application	Post
Energy Star	No
California Status	California T24 Compliant
California Prop 65	Lead
RoHS Compliant	Yes

Additional Information

Includes	(1) 10W LED Lamp
Warranty	3 Year Limited - Fixtures

FEATURES & SPECIFICATIONS

INTENDED USE — Typical applications include corridors, lobbies, conference rooms and private offices.

CONSTRUCTION — Heavy-gauge aluminum housing

Ceiling mount for direct installation to 4" octagonal or square junction box

Pendant mount entry for 3/8" National Pipe Thread stem; wires supplied by others

Textured polyester powder paint finish

Multiple ceiling, pendant, cord, and wall mount options available.

OPTICS — 3 SDCM; 80 CRI typical

Diffusing lens covers optical chamber

55° cutoff to source and source image

General illumination 1.0 S/MH

Self-flanged anodized reflectors in specular, semi-specular, or matte diffuse finishes.

ELECTRICAL — Multi-volt 0-10V dimming available.

0-10V dimming drivers mounted to junction box, 10% or 1% minimum dimming level

0-10V dimming fixture requires two (2) additional low-voltage wires to be pulled

70% lumen maintenance at 50,000 hours

LISTINGS — Certified to US and Canadian safety standards. Damp location standard (wet location, covered ceiling optional).

BUY AMERICAN ACT — This product is assembled in the USA and meets the Buy America(n) government procurement requirements under FAR, DFARS and DOT regulations. Please refer to www.acuitybrands.com/buy-american for additional information.

WARRANTY — 5-year limited warranty. This is the only warranty provided and no other statements in this specification sheet create any warranty of any kind. All other express and implied warranties are disclaimed. Complete warranty terms located at: www.acuitybrands.com/support/warranty/terms-and-conditions

Note: Actual performance may differ as a result of end-user environment and application. All values are design or typical values, measured under laboratory conditions at 25 °C. Specifications subject to change without notice.

Catalog Number
Notes
Type

LDN8CYL

8" CYLINDER
Non-IC

New Construction Downlight



A+ Capable options indicated by this color background.

ORDERING INFORMATION

Lead times will vary depending on options selected. Consult with your sales representative.

Example: LDN8CYL 35/50 L08AR LSS MVOLT EZ1 FCM DWHG

Series	Color temperature	Lumens	Aperture/Trim Color	Finish
LDN8CYL 8" cylinder	27/ 2700K	50 5000 lumens	L08 Downlight	LSS Semi-specular
	30/ 3000K	60 6000 lumens	LW8 Wallwash	LD Matte diffuse
	35/ 3500K	80 8000 lumens		LS Specular
	40/ 4000K	100 10000 lumens		

Voltage	Driver	Mounting	Options	Architectural Colors ⁸
MVOLT Multi-volt 120 120V 277 277V	GZ10 0-10V driver dims to 10% GZ1 0-10V driver dims to 1% EZ1 0-10V eldoLED driver with smooth and flicker-free deep dimming performance down to 1%	FCM Flush ceiling mount WM ² Wall mount PM Pendant 3/8" thread mount ACC ³ 10ft aircraft cable and cord mount ACC180 ³ 15ft aircraft cable and cord mount	SF ⁴ Single fuse NPP16D ^{5,6} nLight [®] network power/relay pack with 0-10V dimming for non-eldoLED drivers (GZ10, GZ1). NPP16DER ^{5,6} nLight [®] network power/relay pack with 0-10V dimming for non-eldoLED drivers (GZ10, GZ1). ER controls fixtures on emergency circuit. NPS80EZ ^{5,6} nLight [®] dimming pack controls 0-10V eldoLED drivers (EZ10, EZ1). NPS80EZER ^{5,6} nLight [®] dimming pack controls 0-10V eldoLED drivers (EZ10, EZ1). ER controls fixtures on emergency circuit. WL ⁷ Wet location	DWHG Matte white DDB Dark bronze DBL Black DWH Glossy white DMB Medium bronze DNA Natural aluminum DSS Sandstone DGC Charcoal grey DTG Tennis green DBR Bright red DSB Steel blue

See accessories and footnotes on page 2.

LDN8CYL

Accessories: Order as separate catalog number (shipped separately).	
CYS ³	3/8" stem and canopy with 5° "hang straight" swivel
CRS ³	3/8" stem and canopy with 45° swivel

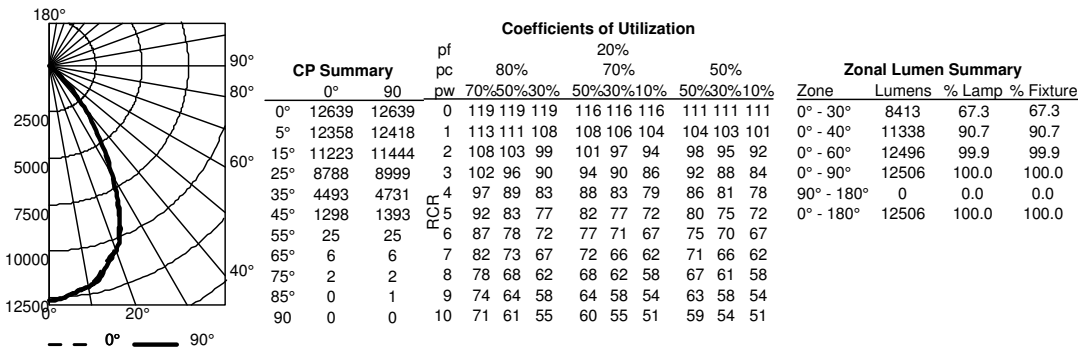
Notes

- 1 Not available with finishes.
- 2 Access panel (supplied by others) recommended for use with nLight[®].
- 3 White cord with white housings. All others black cord.
- 4 Must specify voltage 120V or 277V.
- 5 Specify voltage. ER for use with generator supply EM power. Will require an emergency hot feed and normal hot feed.
- 6 Interface remote mounted.
- 7 Not available with ACC & ACC180 mounting options.
- 8 Additional architectural colors available; see www.lithonia.com/archcolors.
- 9 Color and length of stem must be specified (from 6" to 240" in even increments in maximum sections of 48"). Ex.: CYS06 DWHG. Ceiling attachment for interior use. Consult factory for exterior use. Wire not included.

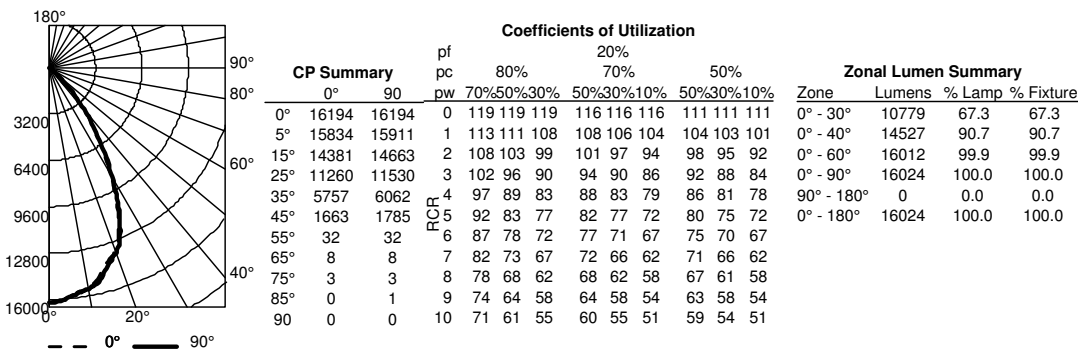
PHOTOMETRY

Distribution Curve	Distribution Data	Output Data	Coefficient of Utilization	Illuminance Data at 30" Above Floor for a Single Luminaire
--------------------	-------------------	-------------	----------------------------	--

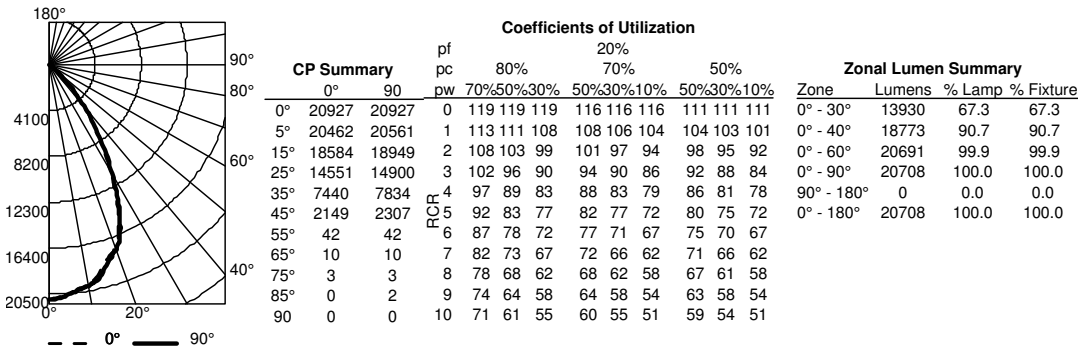
LDN8 35/120 L08AR LS, INPUT WATTS: 148.6, DELIVERED LUMENS: 12506.4, LM/W = 84.16, TEST NO. ISF 30850P28



LDN8 35/150 L08AR LS, INPUT WATTS: 184.5, DELIVERED LUMENS: 16024.4, LM/W = 86.85, TEST NO. ISF 30850P25

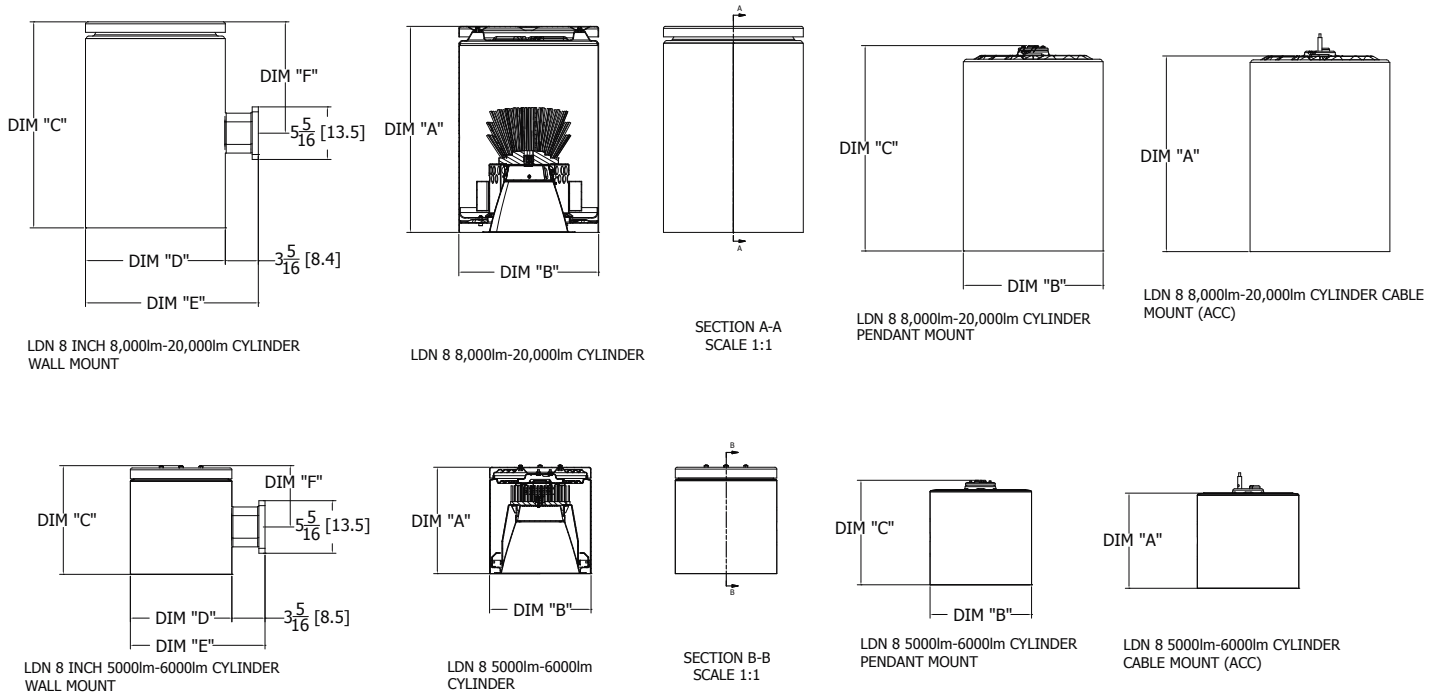


LDN8 35/200 L08AR LS, INPUT WATTS: 265.4, DELIVERED LUMENS: 20707.9, LM/W = 78.02, TEST NO. ISF 30850P22.



LDN8CYL

*All dimensions in inches (centimeters) unless otherwise noted.



LDN8 CYLINDER LINE ART DIMENSIONS TABLE							
Lumen Output	Style	Dim "A"	Dim "B"	Dim "C"	Dim "D"	Dim "E"	Dim "F"
5000 - 6000 LM	Ceiling Mount (FCM)	11 3/8	10 1/4				
5000 - 6000 LM	Pendant Mount (PM)		10 1/4	10 3/4			
5000 - 6000 LM	Pendant Mount Wet Location (PM WL)		10 1/4	11 1/2			
5000 - 6000 LM	Cable Mount (ACC)	10 3/8	10 1/4				
5000 - 6000 LM	Wall Mount (WM)			10 1/16	10 1/4	13 1/2	6 3/8
5000 - 6000 LM	Wall Mount Wet Location (WM WL)			11 3/16	10 1/4	13 1/2	6 3/8
8000 - 12000 LM	Ceiling Mount (FCM)	14 5/8	14 1/8				
8000 - 12000 LM	Pendant Mount (PM)		14 1/8	13 1/2			
8000 - 12000 LM	Pendant Mount Wet Location (PM WL)		14 1/8	14 5/8			
8000 - 12000 LM	Cable Mount (ACC)	13 1/2	14 1/8				
8000 - 12000 LM	Wall Mount (WM)			13 1/2	14 1/8	17 1/2	6 7/8
8000 - 12000 LM	Wall Mount Wet Location (WM WL)			14 5/8	14 1/8	17 1/2	7 11/16
15000 - 20000 LM	Ceiling Mount (FCM)	20 7/8	14 1/8				
15000 - 20000 LM	Pendant Mount (PM)		14 1/8	19 3/4			
15000 - 20000 LM	Pendant Mount Wet Location (PM WL)		14 1/8	20 7/8			
15000 - 20000 LM	Cable Mount (ACC)	19 3/4	14 1/8				
15000 - 20000 LM	Wall Mount (WM)			19 3/4	14 1/8	17 1/2	10 3/16
15000 - 20000 LM	Wall Mount Wet Location (WM WL)			20 7/8	14 1/8	17 1/2	11 3/4

ADDITIONAL DATA

COMPATIBLE 0-10V WALL-MOUNT DIMMERS		
MANUFACTURER	PART NO.	POWER BOOSTER AVAILABLE
Lutron®	Diva® DVTV	
	Diva® DVSTV	
	Nova T® NTFTV	
	Nova® NFTV	
Leviton®	AWSMT-7DW	CN100
	AWSMG-7DW	PE300
	AMRMG-7DW	
	Leviton Centura Fluorescent Control System	
	IllumaTech® IP7 Series	
Synergy®	ISD BC	RDMFC
	SLD LPCS	
	Digital Equinox (DEQ BC)	
Douglas Lighting Controls	WPC-5721	
Entertainment Technology	Tap Glide TG600FAM120 (120V)	
	Tap Glide Heatsink TGH1500FAM120 (120V)	
	Oasis OA2000FAMU	
Honeywell	EL7315A1019	EL7305A1010 (optional)
	EL7315A1009	
HUNT Dimming	Preset slide: PS-010-IV and PS-010-WH	
	Preset slide: PS-010-3W-IV and PS-010-3W-WH	
	Preset slide, controls FD-010: PS-IFC-010-IV and PS-IFC-010-WH-120/277V	
	Preset slide, controls FD-010: PS-IFC-010-3W-IV and PS-IFC-010-3W-WH-120/277V	
	Remote mounted unit: FD-010	
Lehigh Electronic Products	Solitaire	PBX
PDM Electrical Products	WPC-5721	
Starfield Controls	TR61 with DALI interface port	RT03 DALInet Router
WattStopper®	LS-4 used with LCD-101 and LCD-103	

WATTAGE CONSUMPTION MATRIX			
Nominal Lumens @ 3500K	Delivered Lumens	Wattage	LPW
5000	5353	61.1	87.6
6000	6138	73	84.1
8000	8520	92.1	92.5
10000	10582	118.83	89.1
12000	12506	148.7	84.1
15000	16025	184.5	86.9
20000	20707	265.4	78.0

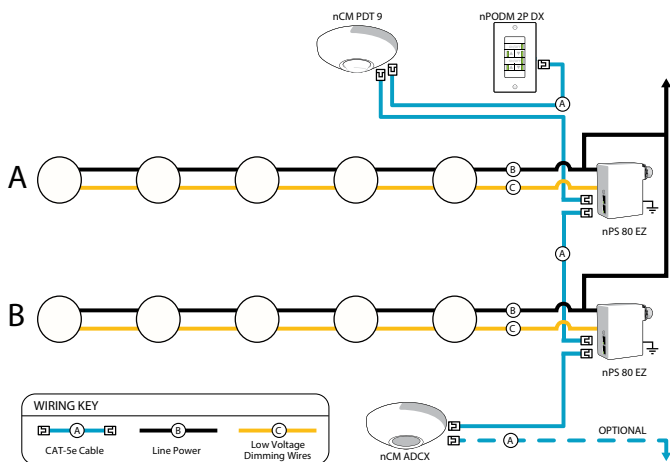
A+ Capable Luminaire

This item is an A+ capable luminaire, which has been designed and tested to provide consistent color appearance and out-of-the-box control compatibility with simple commissioning.

- All configurations of this luminaire meet the Acuity Brands' specification for chromatic consistency
- This luminaire is part of an A+ Certified solution for nLight® control networks when ordered with drivers marked by a shaded background*
- This luminaire is part of an A+ Certified solution for nLight control networks, providing advanced control functionality at the luminaire level, when selection includes driver and control options marked by a shaded background*

To learn more about A+, visit www.acuitybrands.com/aplus.

*See ordering tree for details



nLight® Control Accessories: Order as separate catalog number. Visit www.sensorswitch.com/nLight for complete listing of nLight controls.			
WallPod stations	Model number	Occupancy sensors	Model number
On/Off	nPODM [color]	Small motion 360°, ceiling (PIR / dual tech)	nCM 9 / nCM PDT 9
On/Off & Raise/Lower	nPODM DX [color]	Large motion 360°, ceiling (PIR / dual tech)	nCM 10 / nCM PDT 10
Graphic Touchscreen	nPOD GFX [color]	Wide view (PIR / dual tech)	nWV 16 / nWV PDT 16
Photocell controls	Model number	Wall Switch w/ Raise/Lower (PIR / dual tech)	nWSX LV DX / nWSX PDT LV DX
Dimming	nCM ADCX	Cat-5 cables (plenum rated)	Model number
		10', CAT5 10FT	CAT5 10FT J1
		15', CAT5 15FT	CAT5 15FT J1



MOUNTAINEER CHALLENGE ACADEMY
305 Fayette Pike
MONTGOMERY, WV 25136 USA
Email: melissa.g.nunley@wv.gov
Contract #: CMA 0212 0212 MRO18-8497
ATTN: Melissa Nunley

The store serving you is:
Fastenal Company
905 Morris Street
Charleston, WV 25301 USA
Phone: 304/345-5108
Fax: 304-345-5107
Email: WVCH1@stores.fastenal.com

Account #: BEWV2481
Quote #: 115841

PO #:
Job #:

Due Date: 06/3/2023
Expiration Date: 06/3/2023

<u>Part #</u>	<u>Customer Part #</u>	<u>Description</u>	<u>Quantity</u>	<u>Price/EA</u>	<u>Extended Price</u>
11587-06909		WPX2 LED 50K MVOLT D	12	\$204.1200	\$2,449.44
	WPX2 LED 50K MVOLT DDBXD M2				
11587-06910		TWX2 LED ALO 50K MVO	4	\$145.6000	\$582.40
	TWX2 LED ALO 50K MVOLT DDBTXD				
11587-06911		WAC 16in. 3000K Brus	30	\$97.9300	\$2,937.90
	WAC 16in. 3000K Brushed Nickel Energy Star LED Vanity Light Bar				
11587-06912		CPX 2X2 3200LM 50K M	225	\$58.8800	\$13,248.00
	CPX 2X2 3200LM 50K M4				
11587-06913		2X2SMKSH	12	\$28.0000	\$336.00
11587-06914		CPX 2X4 4000LM 40K M	160	\$83.0300	\$13,284.80
	CPX 2X4 4000LM 40K M2				
11587-06915		WF6 LED 30K40K50K 90	25	\$28.7100	\$717.75
	WF6 LED 30K40K50K 90CRI MW M6				
11587-06923		WF8 LED 30K40K50K MV	25	\$43.1200	\$1,078.00
	WF8 LED 30K40K50K MVOLT 90CRI MW M6				
11587-06916		FMLWL 48 840	40	\$65.7300	\$2,629.20
11587-06917		FMLWL 24 840	10	\$59.1600	\$591.60
11587-06918		FMLRL 14 20840 M4	200	\$89.6000	\$17,920.00
11587-06919		EU2C M6	6	\$25.9100	\$155.46
11587-06921		CNY LED P1 40K MVOLT	4	\$142.8800	\$571.52
	CNY LED P1 40K MVOLT DDBM4				
11587-06920		Barron Lighting SSF-	15	\$181.5100	\$2,722.65
	Barron Lighting SSF-4-CP DLC Premium Listed 12/18/25/40 Watt 4Ft LED Linear Stairwell Fixture Switchable CCT				
11587-06922		ESXF1 ALO SWW2 KY DD	2	\$120.0000	\$240.00
	ESXF1 ALO SWW2 KY DDB M2				
923348295		L10.5T8SE450-CG	30	\$9.7020	\$291.06
	10.5W 4-FT SINGLE-END POWER LED T8 5000K COATED GLASS (UL-B)				
923349608		L11T8AB350-CG	5	\$12.2780	\$61.39
	12W 3-FT LED T8 5000K UL-A+B				
11587-06926		DIEGO LED OUTDOOR PO	6	\$131.6000	\$789.60
	DIEGO LED OUTDOOR POST 62-644				
	Comments: ALTERNATIVE - 3000K COLOR 60W BRONZE				
11587-06927		SATCO 62-1144R1	4	\$79.8000	\$319.20
11587-06929		Satco 62/1645	4	\$51.8000	\$207.20
923388551		CentralPark3Light	2	\$70.8400	\$141.68
	Central Park 3 Light 22" Wall Lantern with Clear Beveled Glass				
11587-06930		13"x14" Dark Bronze	19	\$444.8700	\$8,452.53
	13"x14" Dark Bronze Pendant Light 40K 8000lum - LDN8CYL 40/80 LO8AR LSS MVOLT GZ10 PM DDB				

MOUNTAINEER CHALLENGE ACADEMY
305 Fayette Pike
MONTGOMERY, WV 25136 USA
Email: melissa.g.nunley@wv.gov
Contract #: CMA 0212 0212 MRO18-8497
ATTN: Melissa Nunley

The store serving you is:
Fastenal Company
905 Morris Street
Charleston, WV 25301 USA
Phone: 304-345-5108
Fax: 304-345-5107
Email: WVCH1@stores.fastenal.com

Account #: BEWV2481
Quote #: 115841

PO #:
Job #:

Due Date: 06/3/2023
Expiration Date: 06/3/2023

<u>Part #</u>	<u>Customer Part #</u>	<u>Description</u>	<u>Quantity</u>	<u>Price/EA</u>	<u>Extended Price</u>
			Subtotal (USD):		\$69,727.38
			Shipping & Handling:		\$0.00
			TOTAL (USD):		\$69,727.38

Thank you!



*Shipping & Handling charges are subject to change.